

PARTS AND OPERATION MANUAL



PLASTER / MORTAR MIXERS

WM-900S

WM-900P

© COPYRIGHT 2001, MULTIQIP INC.

Revision #7 (03/17/06)



MULTIQIP INC.

18910 WILMINGTON AVE.
CARSON, CALIFORNIA 90746
310-537-3700
800-421-1244
FAX: 310-537-3927

PARTS DEPARTMENT:

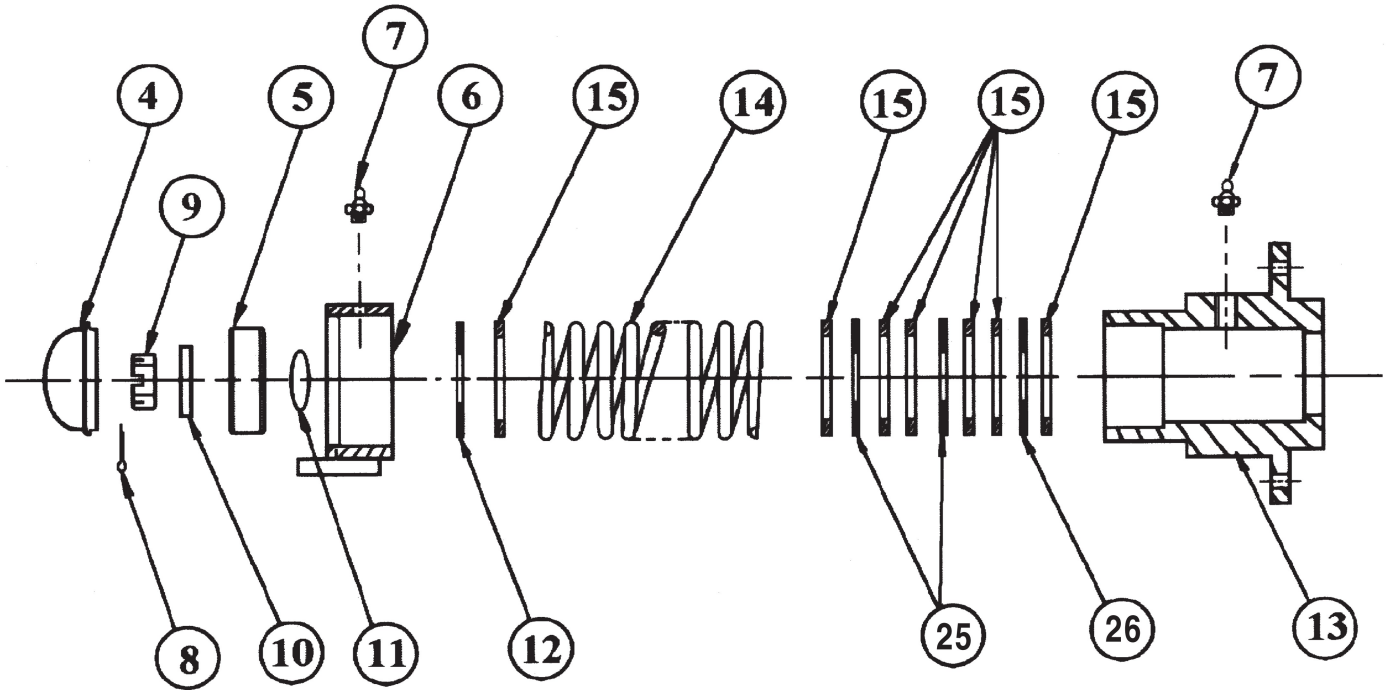
800-427-1244
FAX: 800-672-7877

SERVICE DEPARTMENT/TECHNICAL ASSISTANCE:

800-478-1244
FAX: 310-631-5032

E-mail: mq@multiquip.com • www.multiquip.com

WM-900S, 900P — DRUM HEAD ASSEMBLY

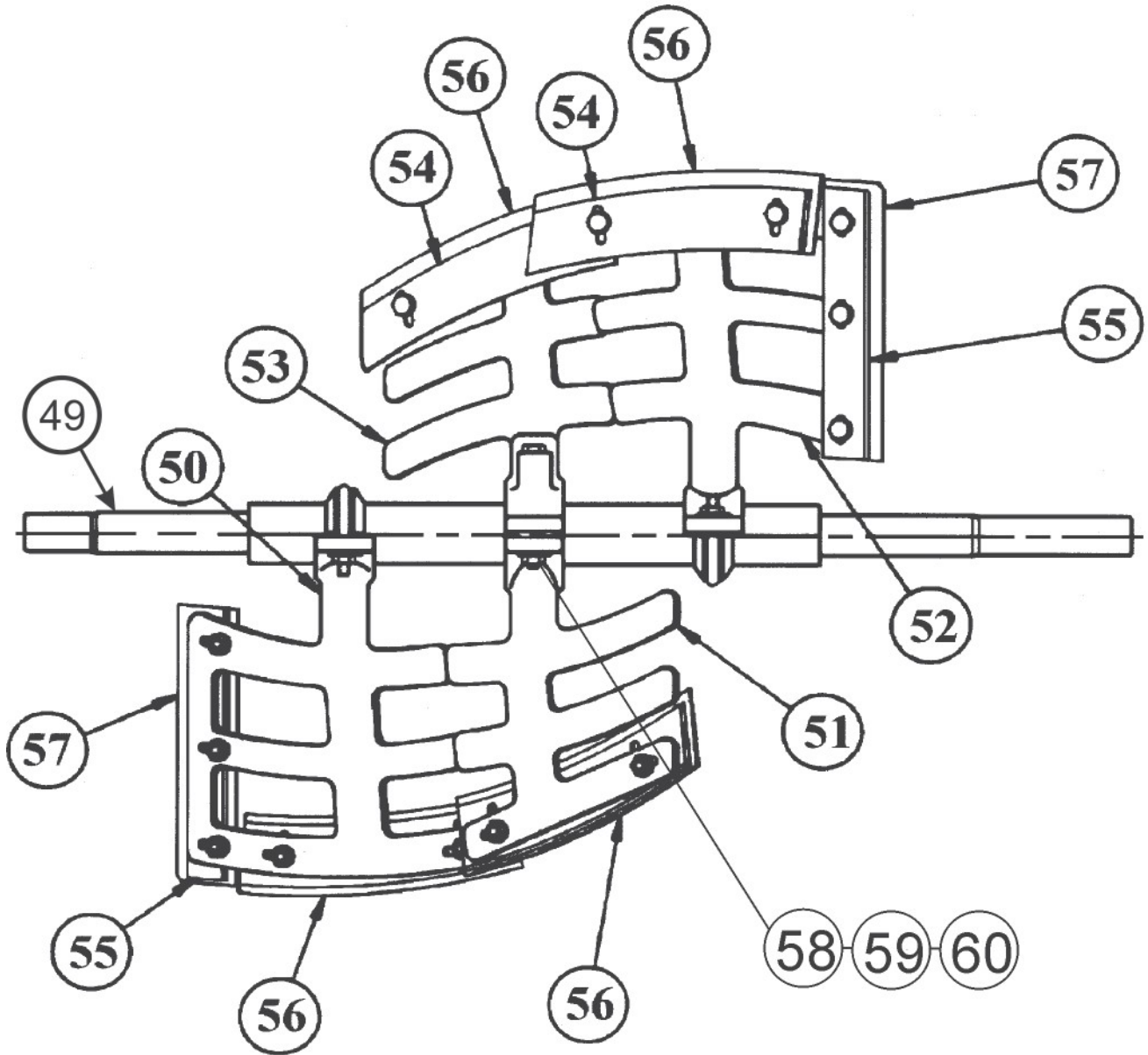


WM-900S, 900P — DRUM HEAD ASSEMBLY

DRUM HEAD ASSEMBLY

<u>NO.</u>	<u>PART NO.</u>	<u>PART NAME</u>	<u>QTY.</u>	<u>REMARKS</u>
2	EM200297	U-BOLT	2	
	EM968011	NUT HEX ½-13	4	
3	EM200292	U-BOLT INSERT	4	
4	3249	DUST CAP	1	REPLACES 50017
5	EM902153	BEARING	2	
6	500076	BRACKET, DUMP BEARING	2	S/N 750002 THRU 750179
6	EM507720	BRACKET, DUMP BEARING	2	S/N 750180 & UP
7	EM916019	GREASE ZERK	2	REPLACES 491705
8	5028 B	COTTER PIN 1/8 X 2	2	REPLACES 491690
9	8164	CASTLE NUT	2	REPLACES 502246
10	3047	SPACER	2	REPLACES 500089
11	3131	O-RING	2	REPLACES 491040
12*	13002	SEAL	2	REPLACES 504749
13	3291	DRUM HEAD, BEARING BOSS	2	S/N 750002, THRU 750179 REPLACES 500085
13	507719	DRUM HEAD, BEARING BOSS	2	S/N 750180 & UP
14	3024	SPRING	2	REPLACES 491930
15	3061	THIN SEAL SPACER	14	REPLACES 500088
25*	3019	SEAL	4	REPLACES 500086
26*	3494	SEAL URETHANE	2	REPLACES 500613
	3530	SEAL KIT, PADDLE SHAFT	1	INCLUDES ITEMS w/*

WM-900S, 900P — PADDLE SHAFT ASSEMBLY



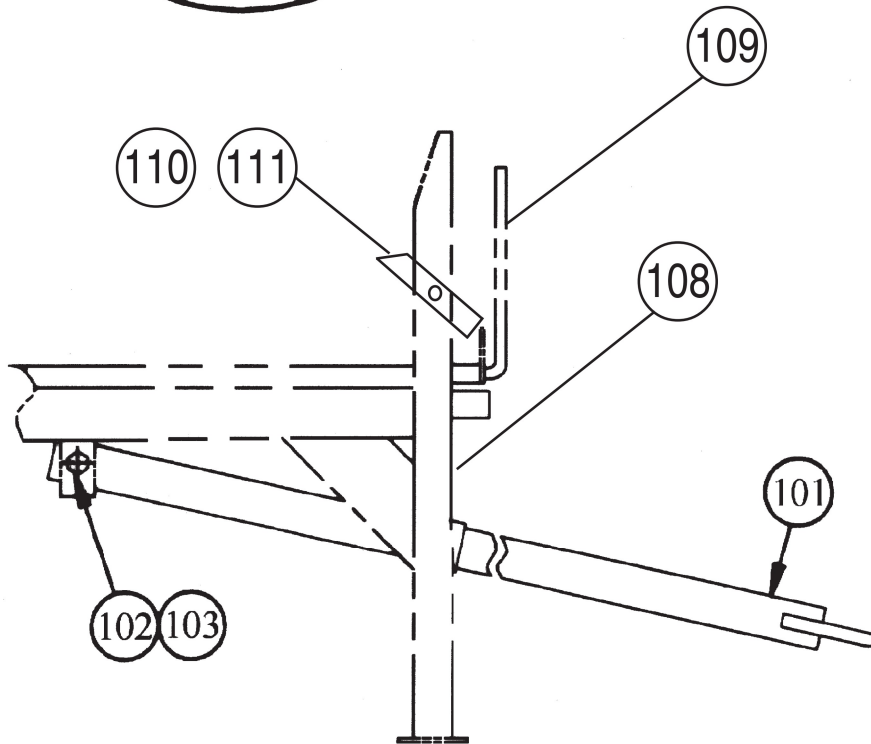
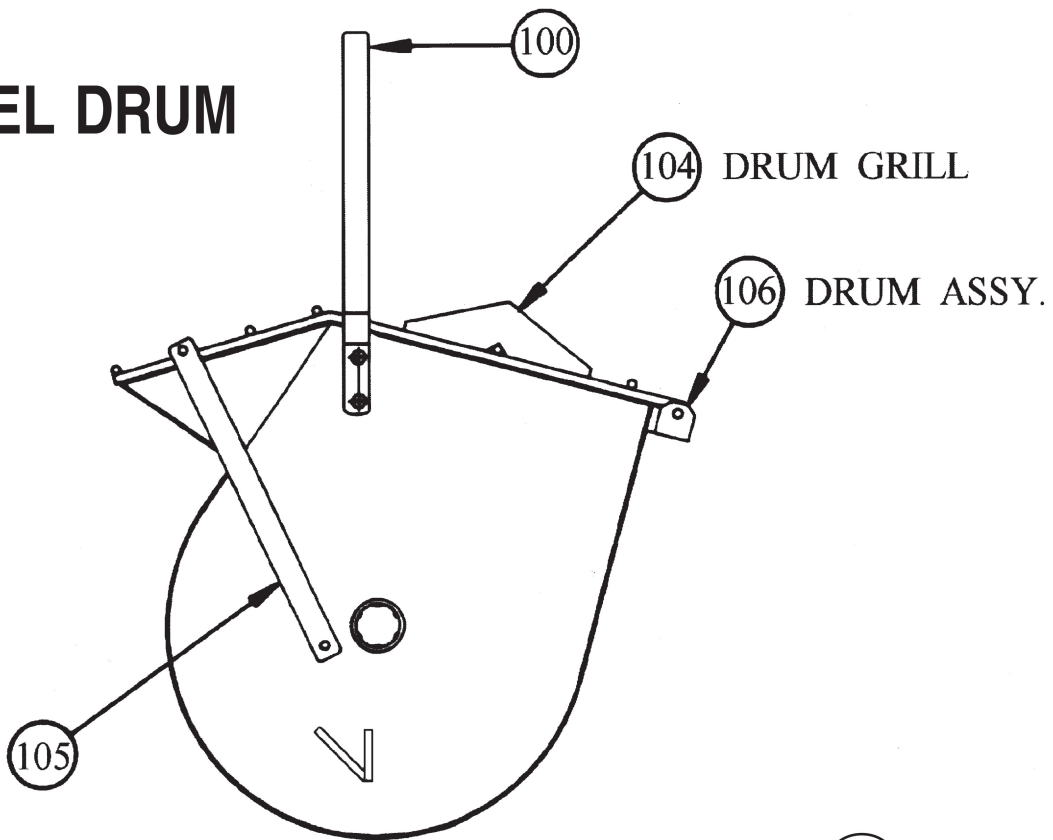
WM-900S, 900P — PADDLE SHAFT ASSEMBLY

PADDLE SHAFT ASSEMBLY

<u>NO.</u>	<u>PART NO.</u>	<u>PART NAME</u>	<u>QTY.</u>	<u>REMARKS</u>
46	EM200297	U-BOLT	2	
47	EM968011	NUT ½"-13	4	
48	EM200292	U-BOLT INSERT	4	
49	507269	PADDLE SHAFT	1	
50	EM200293	PADDLE ARM-TOW END	1	
51	EM200294	PADDLE ARM-CENTER	1	
52	EM200296	PADDLE ARM-ENGINE END	1	
53	EM200295	PADDLE ARM-CENTER	1	
54*#	EM203432	CENTER BACK-UP BLADE	4	
55*#	EM203433	END BACK-UP BLADE	2	
56*	EM200212	TOP RUBBER BLADE (STEEL) DRUM ONLY	4	
56#	EM507519	TOP PLASTIC BLADE (POLY) DRUM ONLY	4	
57*	EM200213	END RUBBER BLADE (STEEL) DRUM ONLY	2	
57#	EM507518	END PLASTIC BLADE (POLY) DRUM ONLY	2	
58	EM963837	BOLT ½-13 X 5-½	1	
59	6109180	LOCK WASHER ½"	1	REPLACES EM923638
60	EM968011	HEX NUT ½-13	1	
61	507270	SPACER BULL GEAR	1	
	EM200863	BLADE KIT, (STEEL) DRUM ONLY	1	INCLS ITEMS w/* AND MTG. HDWR
	EM204625	BLADE KIT, (POLY) DRUM ONLY	1	INCLS ITEMS w/# AND MTG. HDWR
	EM203028	HARDWARE KIT, (RUBBER/POLY BLADES)	1	INCLUDED IN BLADE KITS

REFER TO PAGES 14 & 15 FOR DRUM HEAD BREAKDOWN

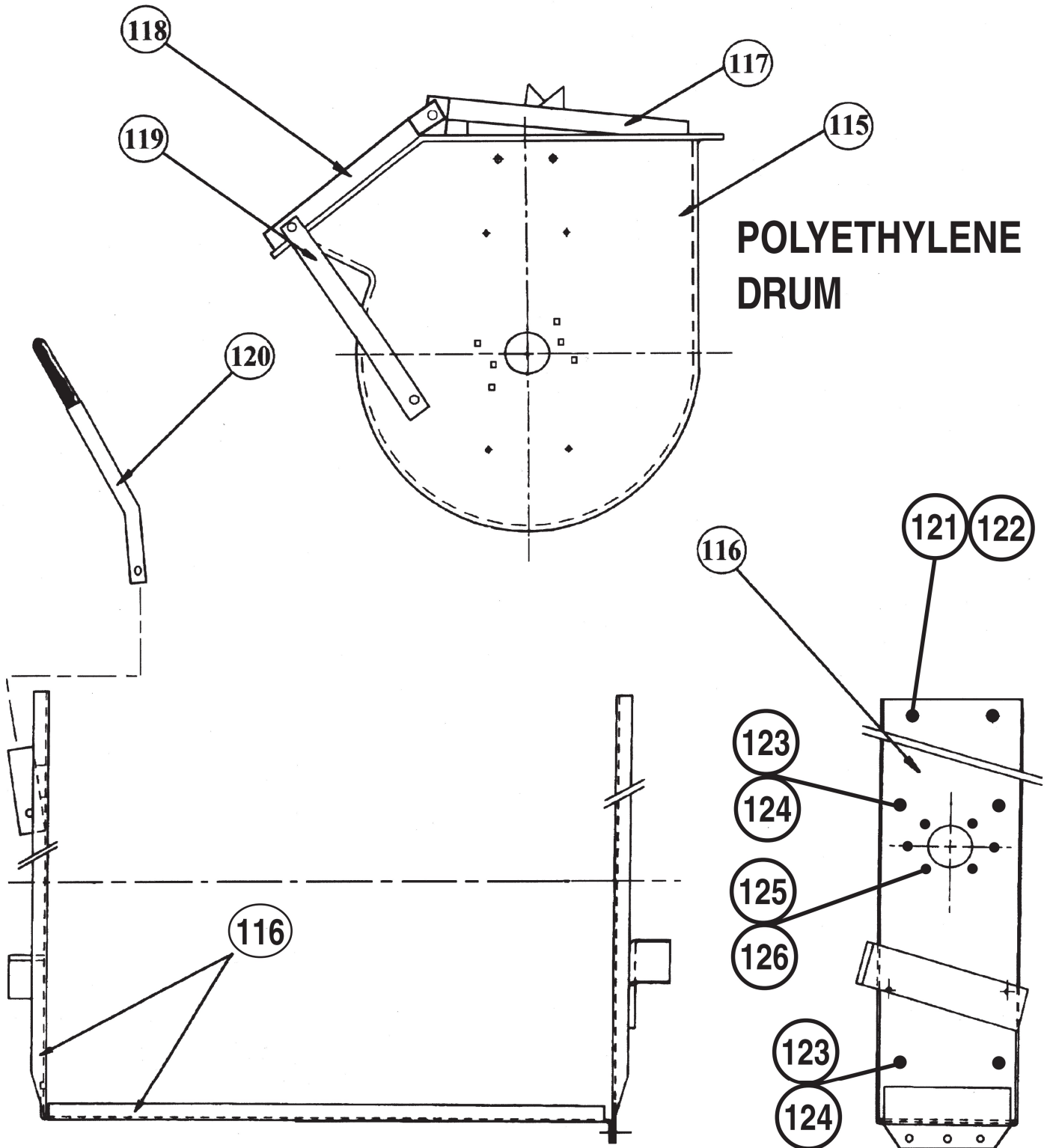
STEEL DRUM



STEEL DRUM

COMMON PARTS

<u>NO.</u>	<u>PART NO.</u>	<u>PART NAME</u>	<u>QTY.</u>	<u>REMARKS</u>
100#	EM201537	DUMP HANDLE	1	
101	ELC1	TOWING TONGUE (P.EYE)	1	NO LONGER AVAILABLE
101	EPC1	TOWING TONGUE (PIN HOLE)	1	CONTACT MQ SALES DEPT./ACCESSORY ITEM
101	EBC1	TOWING TONGUE (BALL HITCH)	1	CONTACT MQ SALES DEPT./ACCESSORY ITEM
102	EM963580	CAP SCREW	1	REPLACES 505067
103	EM969038	LOCK NUT	1	REPLACES 505069
108	EM506309	MAIN FRAME	1	
109	507264	CLUTCH LEVER	1	
110	EM507421	DUMP LATCH	1	
111	EM507835	CLEVIS PIN	1	
104#	EM203332	DRUM GRILL	1	
105#	EM507484	GRILL OPEN BAR	1	
106%	508095	DRUM ASSY (STEEL)	1	INCLS. ITEMS w/#
	508096	DRUM & SHAFT ASSY (COMPLETE) (STEEL)	1	INCLS. ITEMS w/% AND DRUM HEAD & PADDLE SHAFT ASSY
<input type="checkbox"/>	3148	SAFETY CHAIN	1	REPLACES 13363
<input type="checkbox"/>	01004	5/16" CONNECTOR LINK	2	
<input type="checkbox"/>	ILLUSTRATED ON PAGE 9			

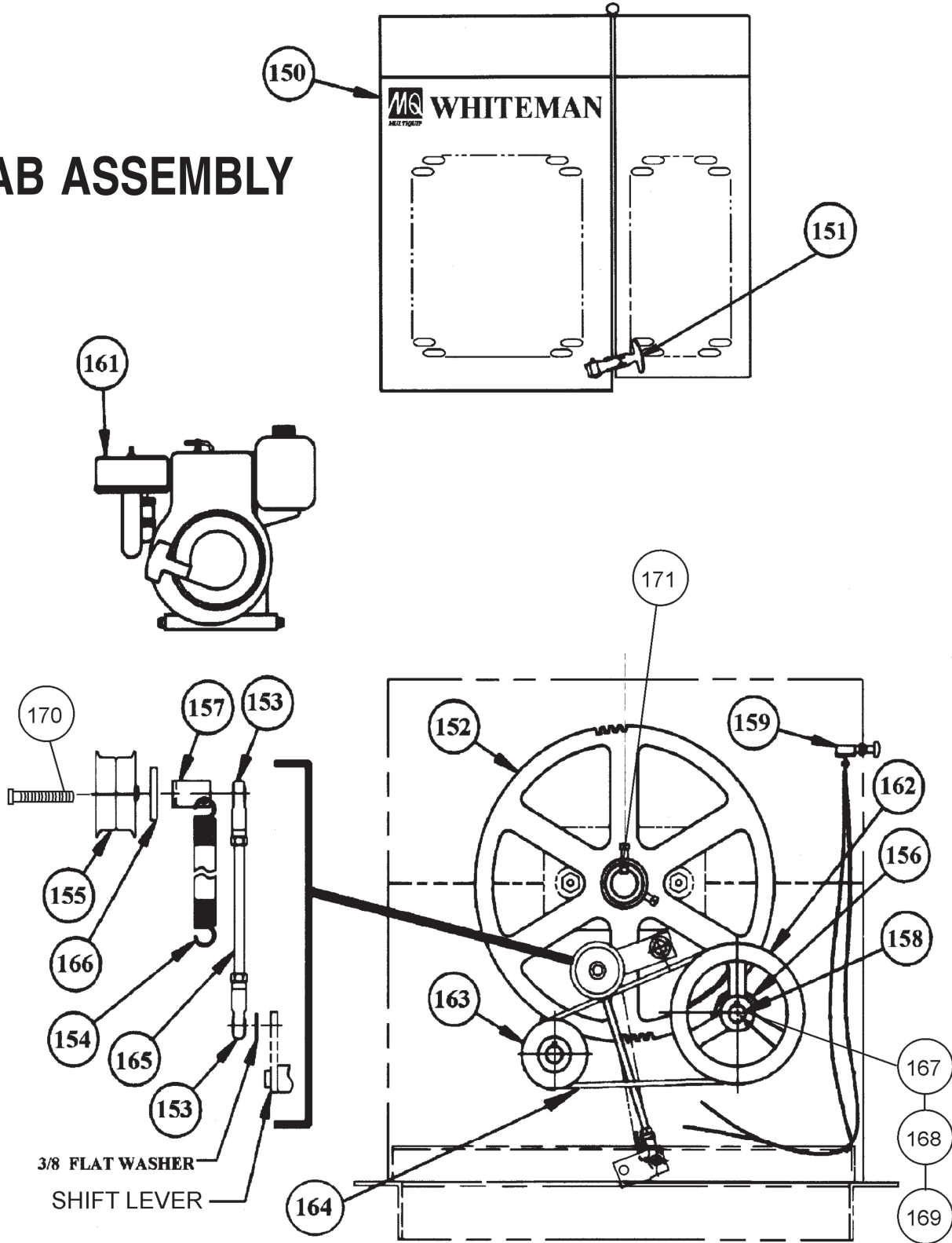


WM-900P — POLYETHYLENE DRUM

POLYETHYLENE DRUM

<u>NO.</u>	<u>PART NO.</u>	<u>PART NAME</u>	<u>QTY.</u>	<u>REMARKS</u>
115#	506432	PLASTIC DRUM (W/O GRATES)	1	
116	507549	SUPPORT DRUM	1	
117#	507416	STATIONARY GRATE	1	
118#	507417	MOVEABLE GRATE	1	
119#	507517	GRATE OPEN BAR	1	
120#	509171	DUMP HANDLE	1	
	EM509077	DRUM & SHAFT ASSY (COMPLETE) (POLY)	1	INCLS ITEMS w/# AND DRUM HEAD & PADDLE SHAFT ASSY
121	EM963610	HHCS 3/8" NC X 1 1/4" G-5	7	REPLACES 492376
122	EM969013	LOCK NUT 3/8" NC	7	REPLACES 492583
123	5041987	FHCS 1/4" NC X 1" G-5	8	REPLACES 504987
124	EM969079	LOCK NUT 1/4" NC	8	REPLACES 492581
125	504943	FHCS 3/8" NC X 2" G-5	12	
126	EM969013	LOCK NUT 3/8" NC	12	REPLACES 492583

CAB ASSEMBLY



WM-900S, 900P — GAS ENGINES, PULLEYS & CAB ASSEMBLY

GAS ENGINES, PULLEYS & CAB ASSEMBLY

COMMON PARTS

<u>NO.</u>	<u>PART NO.</u>	<u>PART NAME</u>	<u>QTY.</u>	<u>REMARKS</u>
150	507158	CAB ASSEMBLY	1	
151	491010	LATCH ASSEMBLY	2	REPLACES 504744
152	502228	DRIVE GEAR 16-½ DIA.	1	
153	EM959080	ROD END	2	
154	EM102014	SPRING	1	
155	EM901515	IDLER PULLEY	1	
156	EM905016	PILLOW BLOCK BEARING	2	
157	EM203098	SPRING CLIP	1	
158	3351	DRIVEN PINION GEAR	1	REPLACES 500272
159	EM940734	SWITCH, ON/OFF	1	
167	502226	COUNTER SHAFT	1	
168	JISB2804C25	SNAP RINGS	2	REPLACES 490957
169	500214	KEY	1	
170	EM963064	BOLT 3/8 X16 X 3-1/4	1	
171	1141	KEY	1	

MODEL WM 900 w/HONDA

<u>NO.</u>	<u>PART NO.</u>	<u>PART NAME</u>	<u>QTY.</u>	<u>REMARKS</u>
161	GX240K1HA2	HONDA ENGINE GX240 K1HA 8HP	1	REPLACES 493261
161	GX160K1HX2	HONDA ENGINE GX160 5.5HP ENG.	1	
162	492057	DRIVEN PULLEY-LARGE	1	
162	492055	DRIVE PULLEY-5.5 HP	1	
163	EM901074	DRIVE PULLEY-SMALL 1" BORE 8.0 HP	1	
164	EM505834	V-BELT	2	
165	EM507490	THREADED ROD	1	
166	EM507491	IDLER ARM	1	

MODEL WM 900 w/WISCONSIN

<u>NO.</u>	<u>PART NO.</u>	<u>PART NAME</u>	<u>QTY.</u>	<u>REMARKS</u>
161	EM937171	ENGINE WISCONSIN BKN2-408472	1	REPLACES 505208
162	EM505204	DRIVEN PULLEY	1	
163	505205	DRIVE PULLEY	1	
164	507775	V-BELT	2	
165	EM507771	THREADED ROD	1	
166	EM203352	IDLER ARM	1	

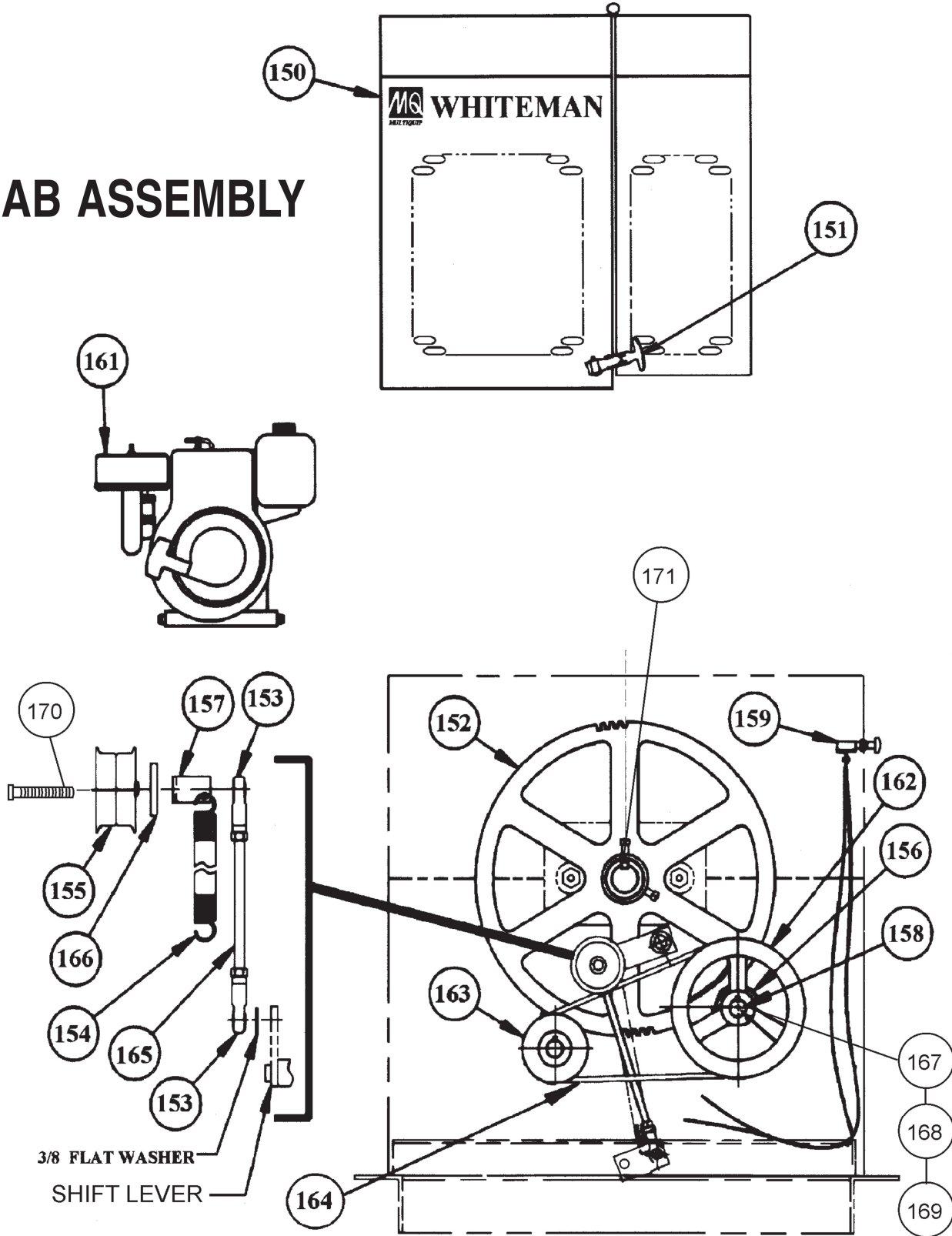
MODEL WM 900 w/ROBIN

<u>NO.</u>	<u>PART NO.</u>	<u>PART NAME</u>	<u>QTY.</u>	<u>REMARKS</u>
161	W1280800466	ROBIN ENGINE 8HP EY-28	1	UP TO OCTOBER, 1999
161	EH252YR0000	ROBIN ENGINE 8HP EH25-2	1	STARTING OCTOBER, 1999, REPLACES 493260
162	492057	DRIVEN PULLEY-LARGE	1	
163	492054	DRIVE PULLEY-SMALL	1	
164	EM505834	V-BELT	2	
165	EM507490	THREADED ROD	1	
166	EM203352	IDLER ARM	1	

MODEL WM-900 w/B&S

<u>NO.</u>	<u>PART NO.</u>	<u>PART NAME</u>	<u>QTY.</u>	<u>REMARKS</u>
161	1964521049	B&S ENGINE 8HP	1	REPLACES 493181
161	1352321036E1	B&S ENGINE 5HP	1	
162	492057	DRIVEN PULLEY-LARGE	1	
163	EM901074	DRIVE PULLEY-SMALL 1" BORE	1	
164	EM505834	V-BELT	2	
165	EM507490	THREADED ROD	1	
166	EM507491	IDLER ARM	1	

CAB ASSEMBLY



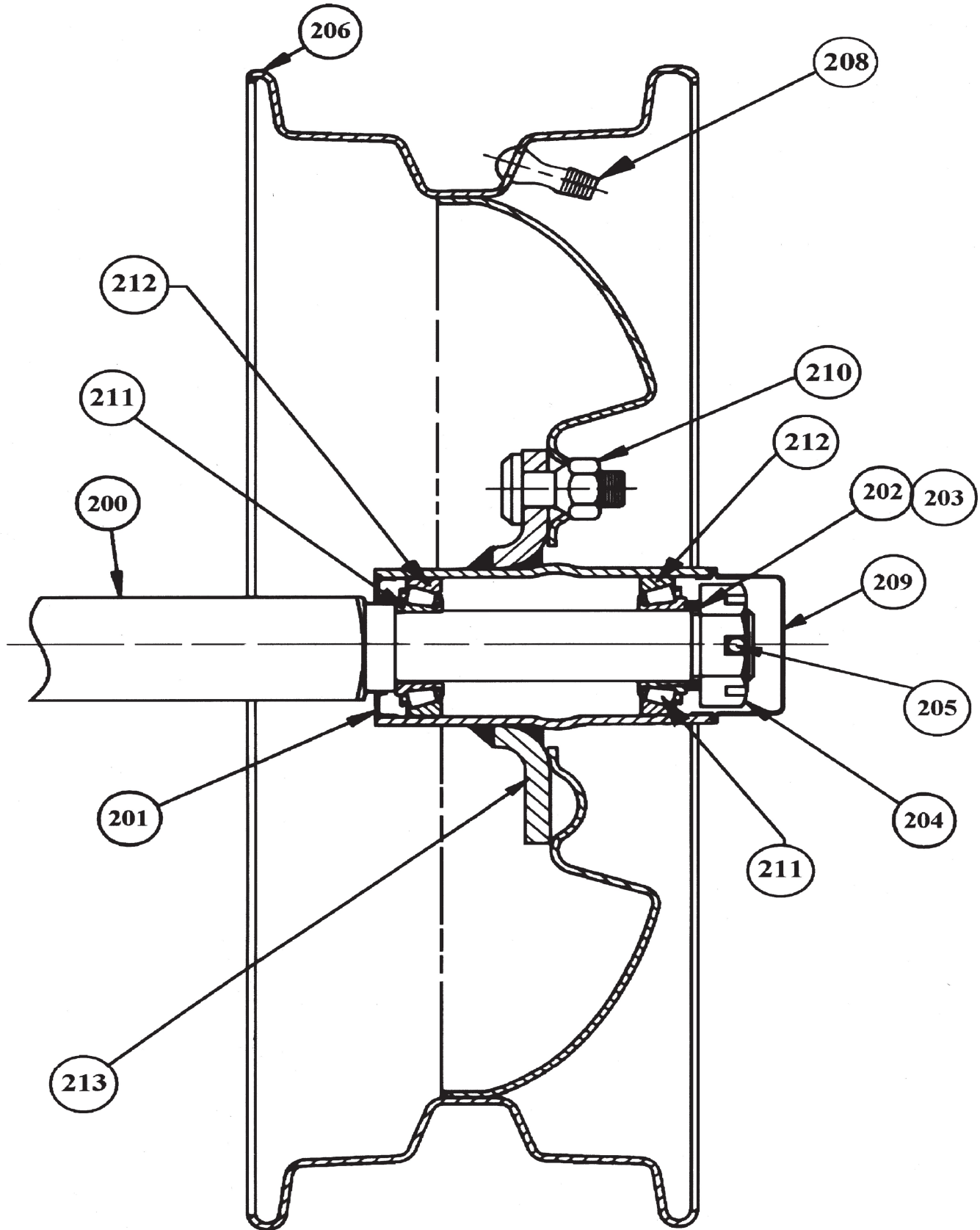
WM-900S, 900P — ELECTRIC MOTOR & PULLEYS

CAB ASSEMBLY

<u>NO.</u>	<u>PART NO.</u>	<u>PART NAME</u>	<u>QTY.</u>	<u>REMARKS</u>
161	EM939315	ELECTRIC MOTOR, 3.0 H.P	1	
162	EM505204	DRIVEN PULLEY	1	
163	EM901513	DRIVE PULLEY	1	
164	491115	V-BELT	2	
165	EM507490	THREADED ROD	1	
166	EM507713	IDLER ARM	1	
	507715	GUIDE, V-BELT	1	NOT ILLUSTRATED

FOR COMMON PARTS SEE PAGE 23

WM-900S, 900P — AXLE & WHEEL GROUP



WM-900S, 900P — AXLE & WHEEL GROUP

AXLE & WHEEL GROUP

<u>NO.</u>	<u>PART NO.</u>	<u>PART NAME</u>	<u>QTY.</u>	<u>REMARKS</u>
200	EM507407	AXLE	1	UP TO S/N HL60000
200	511334	AXLE	1	STARTING S/N JA00000
201*#	EM914288	SEAL	2	
202	504708	THICK SPACER	2	3/4" INSIDE DIAMETER
203	507444	THIN SPACER	2	3/4" INSIDE DIAMETER
204	3068	AXLE NUT	2	UP TO S/N HL60000
204	8164	AXLE NUT	2	STARTING S/N JA00000
205	0183	COTTER PIN	2	
206	3005	RIM & TIRE ONLY	2	
207	3469	GREASE CAP	1	
208	EM942000	VALVE STEM	1	REPLACES 942052
209*#	3469	DUST CAP	2	
210*#	8115	LUG NUT	8	
211*	EM903049	BEARING CONE	2	UP TO S/N HL60000
211#	EM903113	BEARING CONE	2	STARTING S/N JA00000
212*#	EM903012	BEARING CUP	2	
213	3504	HUB w/CUPS	1	UP TO S/N HL60000, INCLS. ITEM w/*
213	EM941306	HUB w/CUPS	1	STARTING S/N JA00000, INCLS. ITEM w/#