

# PARTS AND OPERATION MANUAL

# STOW

A DIVISION OF MULTIQUIP INC.

## SV-SERIES VIBRATOR MOTOR

MODEL # \_\_\_\_\_

SERIAL # \_\_\_\_\_

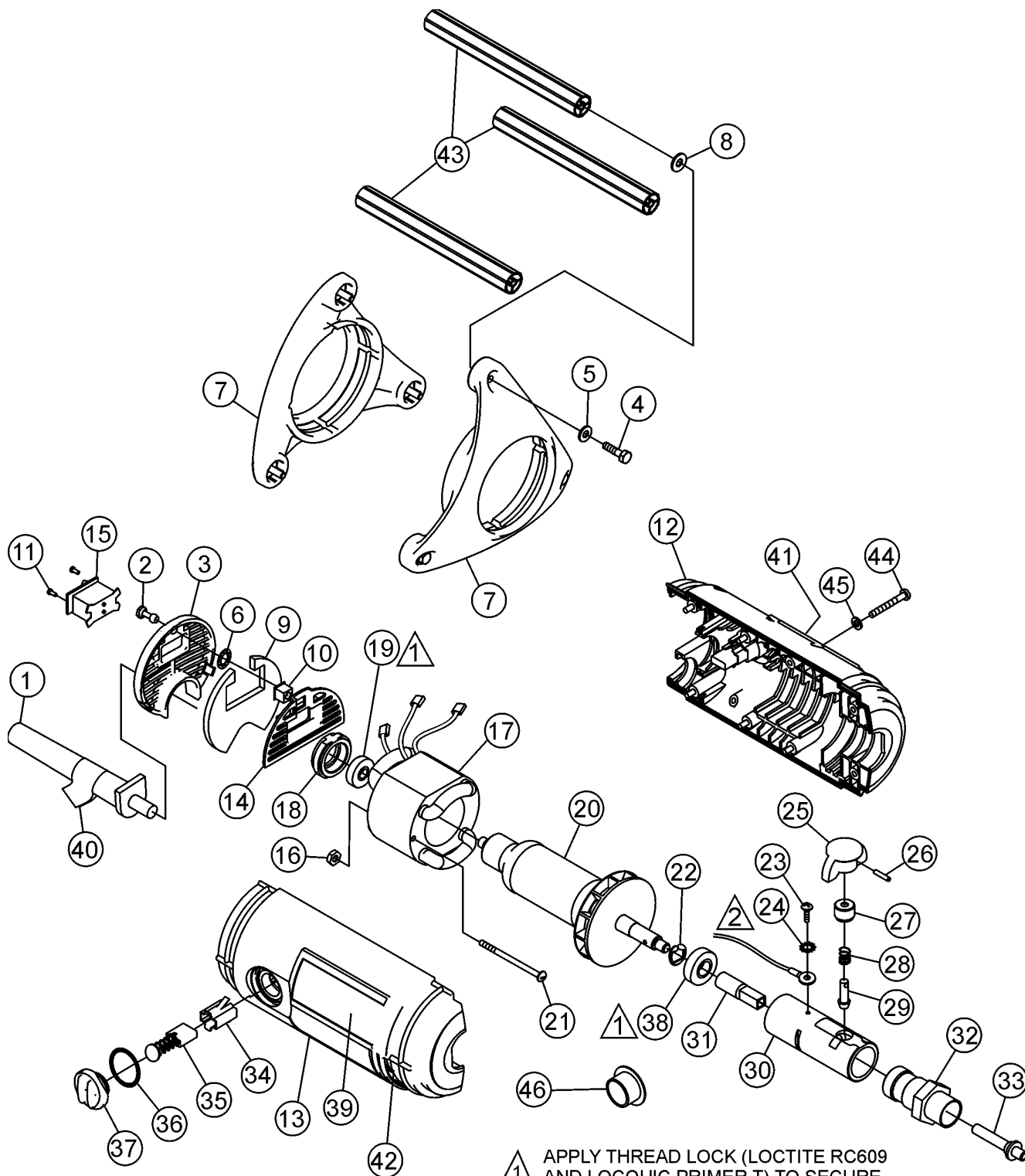
Revision #2 (09/16/02)

**STOW**  
A DIVISION OF MULTIQUIP INC.

**P/N 36199**

# SV-SERIES — VIBRATOR MOTOR ASSY.

VIBRATOR MOTOR ASSY.



▲ 1 APPLY THREAD LOCK (LOCTITE RC609 AND LOCQUIC PRIMER T) TO SECURE FORWARD AND REAR BEARINGS INTO THE BEARING HOUSINGS. (ITEMS 19 AND 38)

▲ 2 GROUND WIRE (230V -621 ONLY)

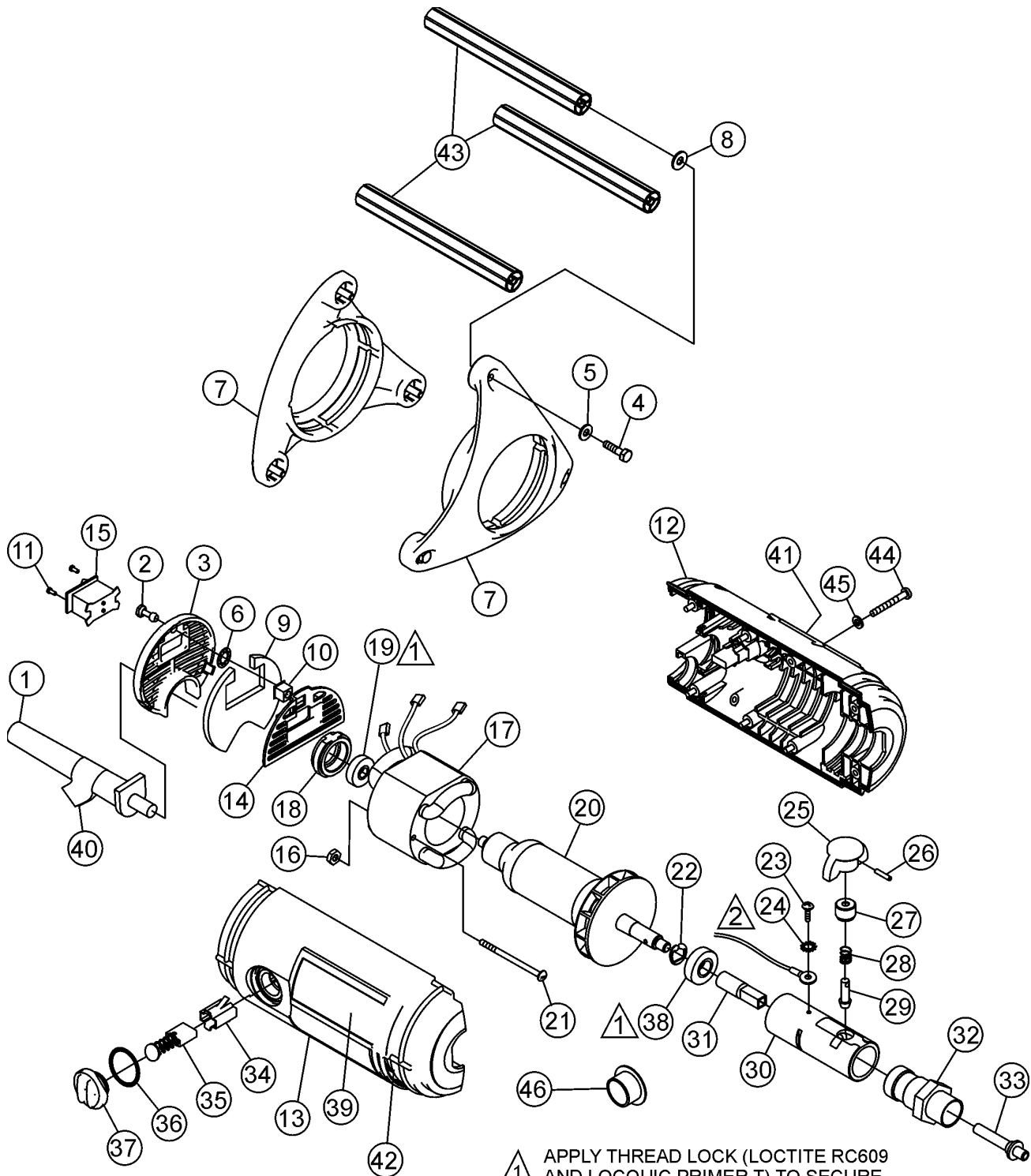
# SV-SERIES — VIBRATOR MOTOR ASSY.

## VIBRATOR MOTOR ASSY.

<u>NO.</u>	<u>PART NO.</u>	<u>PART NAME</u>	<u>QTY.</u>	<u>REMARKS</u>
1	30205-401	CORD, 115V	1	
1	30214-502	CORD, 230V	1	
2	29982-001	STUD, FASTENER	1	
3	29955-001	BACK PLATE	1	
4	30190-016	SCREW, HHCS M6 X 16	6	
5	30245-004	WASHER, FLAT 1/4"	6	
6	30201-001	WASHER, RETAINER	1	
7	29945-001	END CAP	2	
8	10136	WASHER, FLAT	6	
9	29980-001	AIR FILTER	1	
10	29983-001	NUT, CAGE 1/4 TURN	1	
11	15164-005	POP RIVET	2	
12	29944-301	HOUSING, RIGHT	1	
13	29944-302	HOUSING, LEFT	1	
14	29954-001	PLATE, MTG SWITCH	1	
15	23366-001	SWITCH	1	
16	10019	NUT, NYLOC	1	
17	29942-411	FIELD, 1HP 115V SV-1	1	
17	29942-421	FIELD, 1HP 230V SV-1	1	
17	29942-412	FIELD, 2HP 115V SV-2	1	
17	29942-422	FIELD, 2HP 230V SV-2	1	
17	29942-413	FIELD, 3HP 115V SV-3	1	
17	29942-423	FIELD, 3HP 230V SV-3	1	
18	29950-001	HOUSING, REAR BEARING	1	
19	14611-001	BEARING, REAR	1	
20	29943-411	ARMATURE, 1HP 115V SV-1	1	
20	29943-421	ARMATURE, 1HP 230V SV-1	1	
20	29943-412	ARMATURE, 2HP 115V SV-2	1	
20	29943-422	ARMATURE, 2HP 230V SV-2	1	
20	29943-413	ARMATURE, 3HP 115V SV-3	1	
20	29943-423	ARMATURE, 3HP 230V SV-3	1	
21	06827-044	SCREW, 10-32 X 2-3/4	1	
22	10096-002	SNAP RING, EXT	1	
23	16784-004	SCREW, 8-32 X 1/4	1	
24	07027-013	WASHER, STAR #8	1	
25	29946-001	KNOB	1	
26	07502-016	ROLL PIN, 5/32 X 1	1	
27	29948-001	HOUSING, SPRING	1	
28	23432-001	SPRING	1	
29	29947-001	PIN, QD LOCK	1	
30	29949-001	HOUSING, FRONT BEARING	1	
31	23429-001	FITTING, ADAPTER	1	
32	29979-001	COUPLING, SHAFT 314V (SV-1)	1	
32	24372-001	COUPLING, SHAFT 382V (SV-2 & SV-3)	1	
33	29957-001	SPINDLE 314V (SV-1)	1	
33	25013-001	SPINDLE 382V (SV-2 & SV-3)	1	

# SV-SERIES — VIBRATOR MOTOR ASSY.

VIBRATOR MOTOR ASSY.



△ 1 APPLY THREAD LOCK (LOCTITE RC609 AND LOCQUIC PRIMER T) TO SECURE FORWARD AND REAR BEARINGS INTO THE BEARING HOUSINGS. (ITEMS 19 AND 38)

△ 2 GROUND WIRE (230V -621 ONLY)

# SV-SERIES — VIBRATOR MOTOR ASSY.

## VIBRATOR MOTOR ASSY.

<u>NO.</u>	<u>PART NO.</u>	<u>PART NAME</u>	<u>QTY.</u>	<u>REMARKS</u>
34	23361-001	BRUSH HOLDER	2	
35	30264-401	BRUSH ASM	2	
36	22094-028	O-RING	2	
37	29952-001	CAP, BRUSH	2	
38	14611-003	BEARING, FRONT	1	
39	30166-001	DECAL, SV-1 115V	1	
39	30166-002	DECAL, SV-1 230V	1	
39	30166-004	DECAL, SV-2 115V	1	
39	30166-005	DECAL, SV-2 230V	1	
39	30166-007	DECAL, SV-3	1	
40	25215-001	DECAL, WARNING	1	
41	30242-001	DECAL, STOW	1	
42		TAG, SERIAL NUMBER .....	1	..... CONTACT SALES DEPT.
43	29951-001	TUBE HANDLE	3	
44	29987-040	SCREW, M5 X 40MM	8	
45	29988-005	WASHER, LOCK M5	8	
46	11534-018	PROTECTOR, PLASTIC	1	