

PARTS MANUAL



StreetPro SERIES MODELS

SP403016

SP403020

SP403026

SP403030

PAVEMENT SAW

(DEUTZ F2L2011 DIESEL ENGINE)

Revision #3 (12/15/10)

THIS MANUAL MUST ACCOMPANY THE EQUIPMENT AT ALL TIMES.

P/N 38268

TABLE OF CONTENTS

SP4030 Pavement Saw

Table Of Contents	2
Explanation Of Code In Remarks Column	4
Suggested Spare Parts	5
Nameplates And Decals	6-7
Control Panel Decals	8-9
Electrical Control Assembly	10-11
Console Mounts Assembly	12-13
Rear Console Access Panel Assembly	14-15
Light Connector/Dash Access Assembly	16-17
Belt And Engine Guards Assembly	18-19
Depth Indicator/Stop Switch Assly (Old Style)	20-21
Depth Indicator/Stop Switch Assy (New Style)	22-23
F-N-R Assembly	24-25
Fuel Assembly	26-27
Battery Assembly	28-29
Handlebars Assembly	30-31
Water System Assembly	32-33
Engine Assembly	34-35
Throttle Control Assembly	36-37
Engine Mounts Assembly	38-39
Lifting Bale And Air Cleaner Assembly	40-41
Platform Guards/Rear Pointer Assembly	42-43
Wheel Drive Assembly	44-45
Front Axle Assembly	46-47
Hydraulic System Assembly	48-49
Hydraulic Hoses And Fittings Assembly	50-51
Front Pointer Assembly	52-53
Belt Drive Assembly	54-55
Drive Pulley Assembly	56-57
Blade Shaft Assembly	58-59
16", 20", 26" Blade Guard Assembly	60-61
30" Blade Guard Assembly	62-63
Terms And Conditions Of Sale — Parts	64



Specifications are subject to change without notice.

EXPLANATION OF CODE IN REMARKS COLUMN

The following section explains the different symbols and remarks used in the Parts section of this manual. Use the help numbers found on the back page of the manual if there are any questions.

NOTICE

The contents and part numbers listed in the parts section are subject to change **without notice**. Multiquip does not guarantee the availability of the parts listed.

SAMPLE PARTS LIST

NO.	PART NO.	PART NAME	QTY.	REMARKS
1	12345	BOLT.....	1	INCLUDES ITEMS W/%
2%		WASHER, 1/4 IN.....		NOT SOLD SEPARATELY
2%	12347	WASHER, 3/8 IN....	1	MQ-45T ONLY
3	12348	HOSE		A/R ...MAKE LOCALLY
4	12349	BEARING	1	S/N 2345B AND ABOVE

NO. Column

Unique Symbols — All items with same unique symbol

(@, #, +, %, or >) in the number column belong to the same assembly or kit, which is indicated by a note in the “Remarks” column.

Duplicate Item Numbers — Duplicate numbers indicate multiple part numbers, which are in effect for the same general item, such as different size saw blade guards in use or a part that has been updated on newer versions of the same machine.

NOTICE

When ordering a part that has more than one item number listed, check the remarks column for help in determining the proper part to order.

PART NO. Column

Numbers Used — Part numbers can be indicated by a number, a blank entry, or TBD.

TBD (To Be Determined) is generally used to show a part that has not been assigned a formal part number at the time of publication.

A blank entry generally indicates that the item is not sold separately or is not sold by Multiquip. Other entries will be clarified in the “Remarks” Column.

QTY. Column

Numbers Used — Item quantity can be indicated by a number, a blank entry, or A/R.

A/R (As Required) is generally used for hoses or other parts that are sold in bulk and cut to length.

A blank entry generally indicates that the item is not sold separately. Other entries will be clarified in the “Remarks” Column.

REMARKS Column

Some of the most common notes found in the “Remarks” Column are listed below. Other additional notes needed to describe the item can also be shown.

Assembly/Kit — All items on the parts list with the same unique symbol will be included when this item is purchased.

Indicated by:

“INCLUDES ITEMS W/(unique symbol)”

Serial Number Break — Used to list an effective serial number range where a particular part is used.

Indicated by:

“S/N XXXXX AND BELOW”

“S/N XXXX AND ABOVE”

“S/N XXXX TO S/N XXX”

Specific Model Number Use — Indicates that the part is used only with the specific model number or model number variant listed. It can also be used to show a part is NOT used on a specific model or model number variant.

Indicated by:

“XXXXX ONLY”

“NOT USED ON XXXX”

“Make/Obtain Locally” — Indicates that the part can be purchased at any hardware shop or made out of available items. Examples include battery cables, shims, and certain washers and nuts.

“Not Sold Separately” — Indicates that an item cannot be purchased as a separate item and is either part of an assembly/kit that can be purchased, or is not available for sale through Multiquip.

SUGGESTED SPARE PARTS

SP4030 MULTQUIP SAW

1 TO 3 UNITS WITH DEUTZ TURBO DIESEL ENGINE

Qty.	P/N	Description
1	37094	SWITCH, TOGGLE F-N-R
1	37198	SWITCH, EMERGENCY STOP
1	406021	INDICATOR, ENGINE
1	37243	SWITCH, ROLLER ARM
1	37203	SWITCH, ROLLER PLUNGER
2	406000	SWITCH, ROCKER
2	37131	FRONT WHEEL
2	37095	REAR WHEEL
1	29509	CAP, FUEL TANK
2	560017	GRIPS, HANDLEBAR
1	H9406	BULB, GE H9406
1	15503	KNOB, COMFORT
1	37527	SPRING, EXTENSION DEPTH INDICATOR
1	37128	BALL VALVE, FUEL
1	37311	BALL VALVE, WATER SYSTEM
2	570005	CLAMP, MUFFLER
2	37048	SPRING, WHEEL DRIVE
1	37162	SPRING, HYDRAULIC SYSTEM
2	15538	CLAMP, WORM HOSE
1	574003	ROPE, POINTER
1	37212	THROTTLE ASSEMBLY

ENGINE PARTS FOR DEUTZ TURBO DIESEL ENGINE

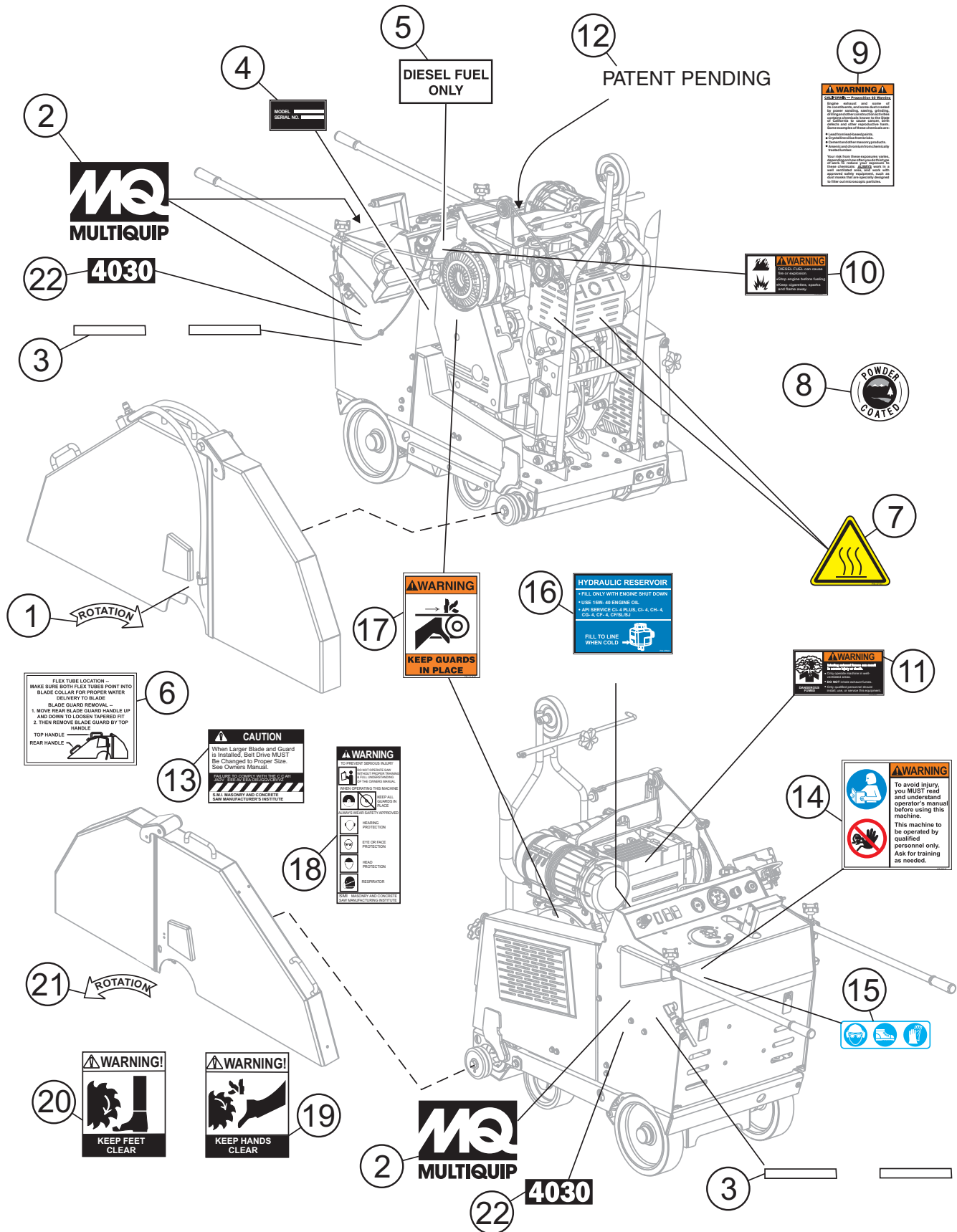
2	1174416	OIL FILTER, DEUTZ
2	1174696	FUEL FILTER, DEUTZ
2	P772579	PRIMARY AIR FILTER ELEMENT
2	P775300	SAFETY AIR FILTER, DEUTZ
2	21004-003	FAN BELT, AX-35
2	37577	DRIVE BELT, 6G 3VX-500 OPTIBELT
1	406017	IGNITION SWITCH, W/KEY
2	406017-1	KEY, IGNITION



Part numbers on this Suggested Spare Parts List may supercede/replace the P/N's shown in the test pages of this manual.

NAMEPLATES AND DECALS

NAMEPLATES AND DECALS



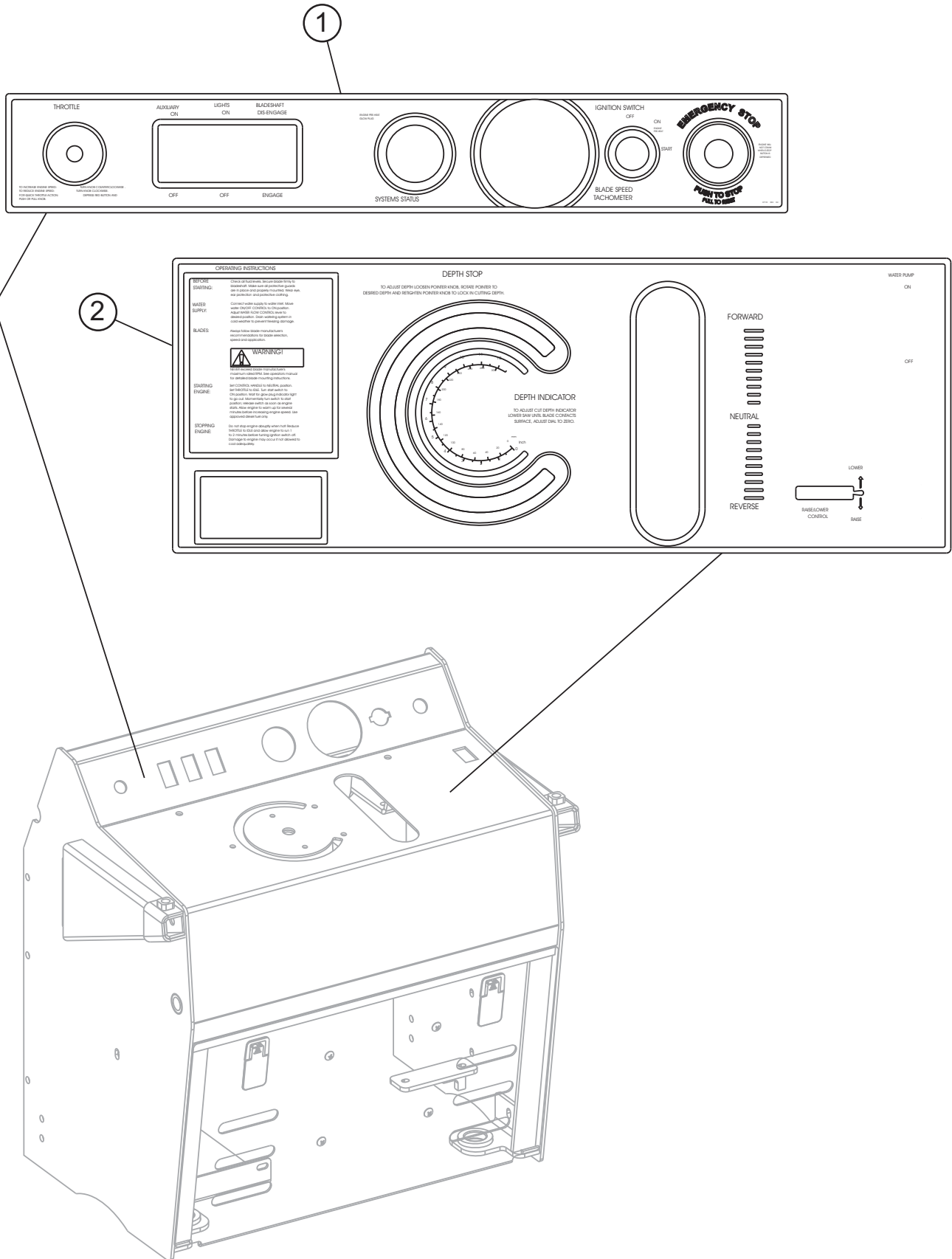
NAMEPLATES AND DECALS

NAMEPLATES AND DECALS

<u>NO.</u>	<u>PART NO.</u>	<u>PART NAME</u>	<u>QTY.</u>	<u>REMARKS</u>
1	25491	DECAL, BLADE ROTATION CW	1	SAFETY ITEM
2	38232	DECAL, MQ MULTQUIP	3	
3	37516	DECAL, REFLECTIVE TAPE 1" YELLOW	4.375	SAFETY ITEM
4		SERIAL TAG	1	CONTACT PARTS DEPT.
5	M600002	DECAL, DIESEL FUEL ONLY	1	
6	606004	DECAL, GUARD REMOVAL	2	SAFETY ITEM
7	37161	DECAL, HOT ISO HI-TEMPERATURE	2	SAFETY ITEM
8	13118	DECAL, POWDER COATED	1	
9	20525	DECAL, WARNING "PROP 65" 3.25 X 4.25	1	SAFETY ITEM
10	36092	DECAL, WARNING DIESEL FUEL 3.5 X 1.75	1	SAFETY ITEM
11	36090	DECAL, WARNING VENTILATION 2 X 4	1	SAFETY ITEM
12	11912	DECAL, PATENT PENDING	1	
13	23330-001	DECAL, CAUTION BELT DRIVE	2	SAFETY ITEM
14	35137	DECAL, WARNING READ MANUAL	1	SAFETY ITEM
15	36099	DECAL, PROTECTIVE CLOTHING ISO BLUE	1	SAFETY ITEM
16	37540	DECAL, HYDRAULIC RESERVOIR	1	
17	21302	DECAL, WARNING KEEP GUARDS IN PLACE	2	SAFETY ITEM
18	22122-001	DECAL, WARNING RX-W	3	SAFETY ITEM
19	25249-001	DECAL, WARNING KEEP HANDS CLEAR	2	SAFETY ITEM
20	25250-001	DECAL, WARNING KEEP FEET CLEAR	2	SAFETY ITEM
21	25678	DECAL, BLADE ROTATION CCW	1	SAFETY ITEM
22	38246	DECAL, 4030	2	

CONTROL PANEL DECALS

CONTROL PANEL DECALS



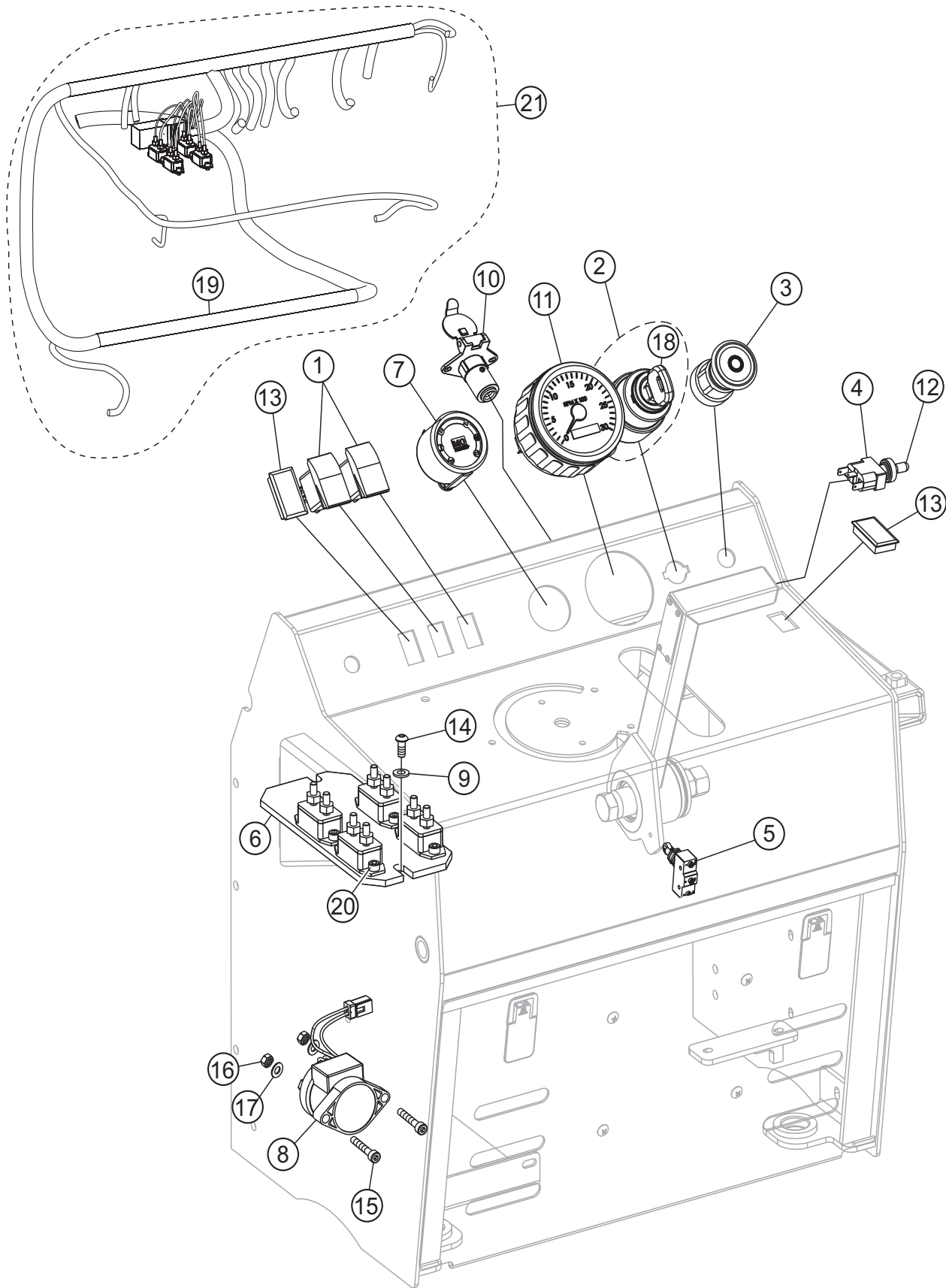
CONTROL PANEL DECALS

CONTROL PANEL DECALS

<u>NO.</u>	<u>PART NO.</u>	<u>PART NAME</u>	<u>QTY.</u>	<u>REMARKS</u>
1	37731	DECAL, 4030 INSTRUMENT PANEL	1	
2	37730	DECAL, 4030 CONSOLE OPERATION	1	

ELECTRICAL CONTROL ASSY.

ELECTRICAL CONTROL ASSY.



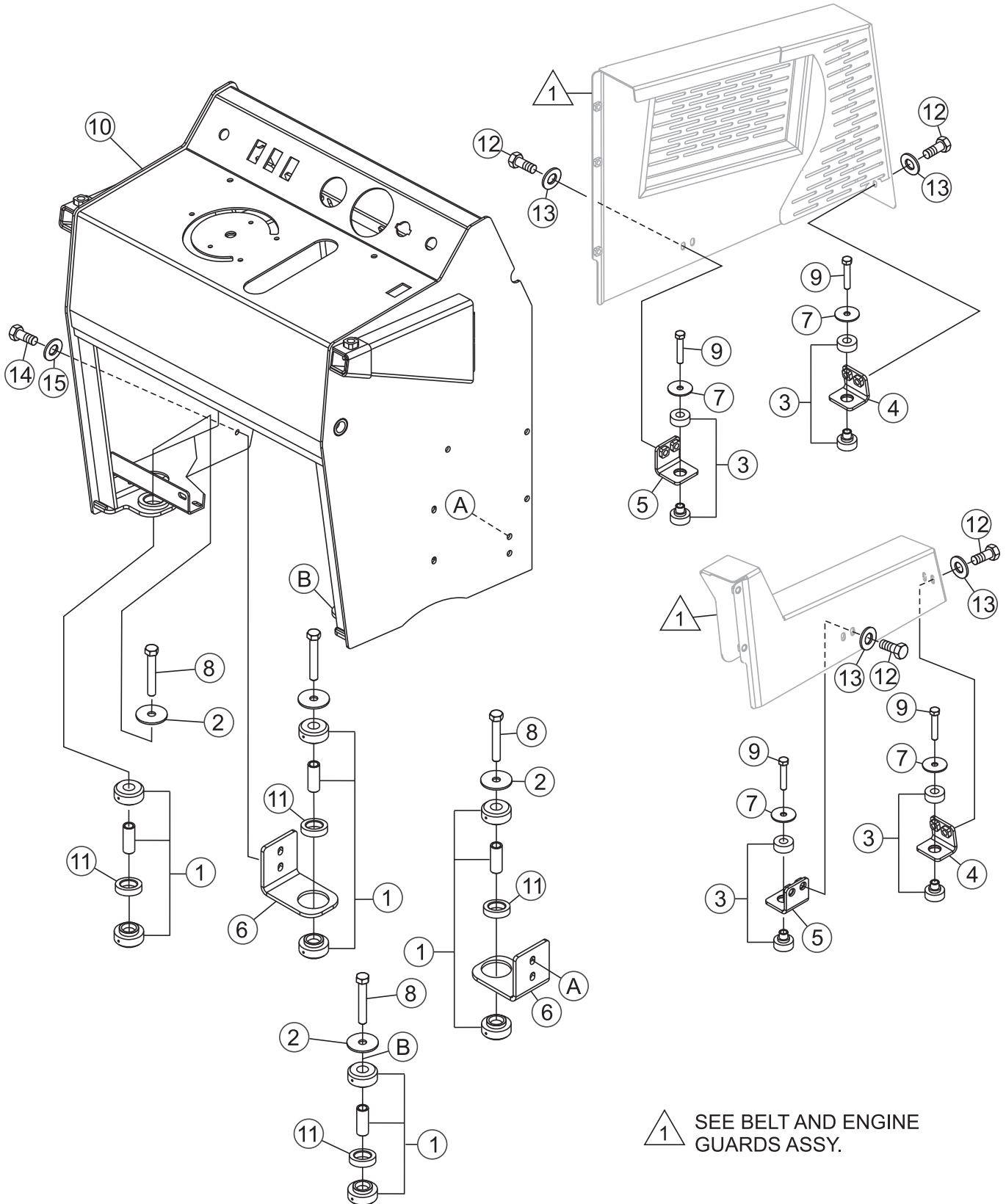
ELECTRICAL CONTROL ASSY.

ELECTRICAL CONTROL ASSY.

<u>NO.</u>	<u>PART NO.</u>	<u>PART NAME</u>	<u>QTY.</u>	<u>REMARKS</u>
1	406000	SWITCH, ROCKER CH# M-58031-01	2	
2	406017	IGNITION SWITCH, WITH KEYS	1	INCLUDES ITEMS W/*
3	37198	EMERGENCY STOP SWITCH	1	SAFETY ITEM
4	37094	SWITCH, TOGGLE SPDT MOMENTARY ON-ON	1	
5	37203	SWITCH, SNAP ACTION ROLLER PLUNGER	1	
6	37331	PLATE, WIRING HARNESS	1	
7	406021	INDICATOR, ENGINE	1	
8	37378	SOLENOID, LIFT PUMP	1	
9	933240	WASHER, FLAT SAE 1/4 GRD 9 YZ	4	
10	405000	CONNECTOR, 4-WAY SOCKET	1	
11	37368	TACHOMETER, ELECTRIC 0-3000 RPM	1	
12	8381	BOOT, TOGGLE SWITCH	1	
13	406020	BLANK, ROCKER SWITCH	2	
14	973752	SCREW, BHHC 1/4 - 20 X 5/8 SS	4	
15	37325	SCREW, SHC M5 - 0.8 X 30MM	2	
16	37324	NUT, NYLOC M5 - 0.8	2	
17	28922-058	WASHER, M5	2	
18*	406017-1	KEY, IGNITION	1	
19@	37304	WIRE HARNESS	1	
20	07469-002	SCREW, SHC 10-32 X 1/4	9	
21	37490	HARNESS, RELAYS & CIRCUIT BREAKER ASSY.	1	INCLUDES ITEMS W/@

CONSOLE MOUNTS ASSY.

CONSOLE MOUNTS ASSY.



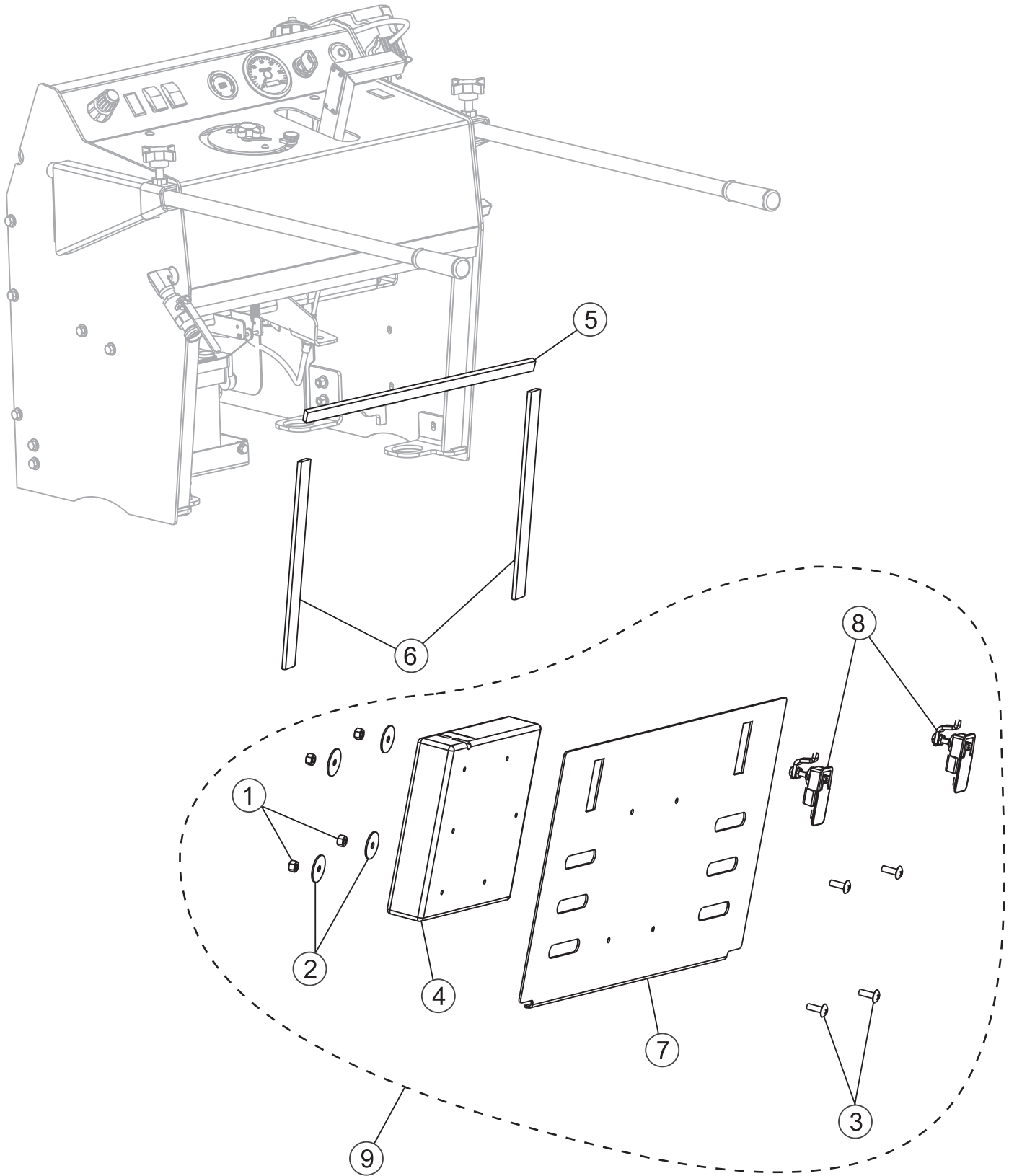
CONSOLE MOUNTS ASSY.

CONSOLE MOUNTS ASSY.

<u>NO.</u>	<u>PART NO.</u>	<u>PART NAME</u>	<u>QTY.</u>	<u>REMARKS</u>
1	20742	ISOLATOR, RB2 RING/BUSHING	4	
2	20743	WASHER, ISO SNUB KROFUND DYN 148099-18	4	
3	575001	RUBBER ISOLATOR, TPC# 60166-1	4	
4	37230	MOUNT, ISOLATOR FRONT	2	
5	37232	MOUNT, ISOLATOR SIDE	2	
6	37608-353	MOUNT, CONSOLE ISOLATOR REAR	2	
7	12832	WASHER, SNUBBING	4	
8	06503-026	SCREW, HHC 1/2 - 13 X 3-1/4	4	
9	0300 A	SCREW, HHC 5/16 - 18 X 2	4	
10	37579-353	CONSOLE W/A	1	
11	37193	INSERT, ISOLATOR MOUNT	4	
12	0205	SCREW, HHC 3/8 - 16 X 1	8	
13	933242	WASHER, FLAT SAE 3/8 GRD 9 YZ	8	
14	TBD	SCREW	4	
15	TBD	WASHER	4	

REAR CONSOLE ACCESS PANEL ASSY.

REAR CONSOLE ACCESS PANEL ASSY.



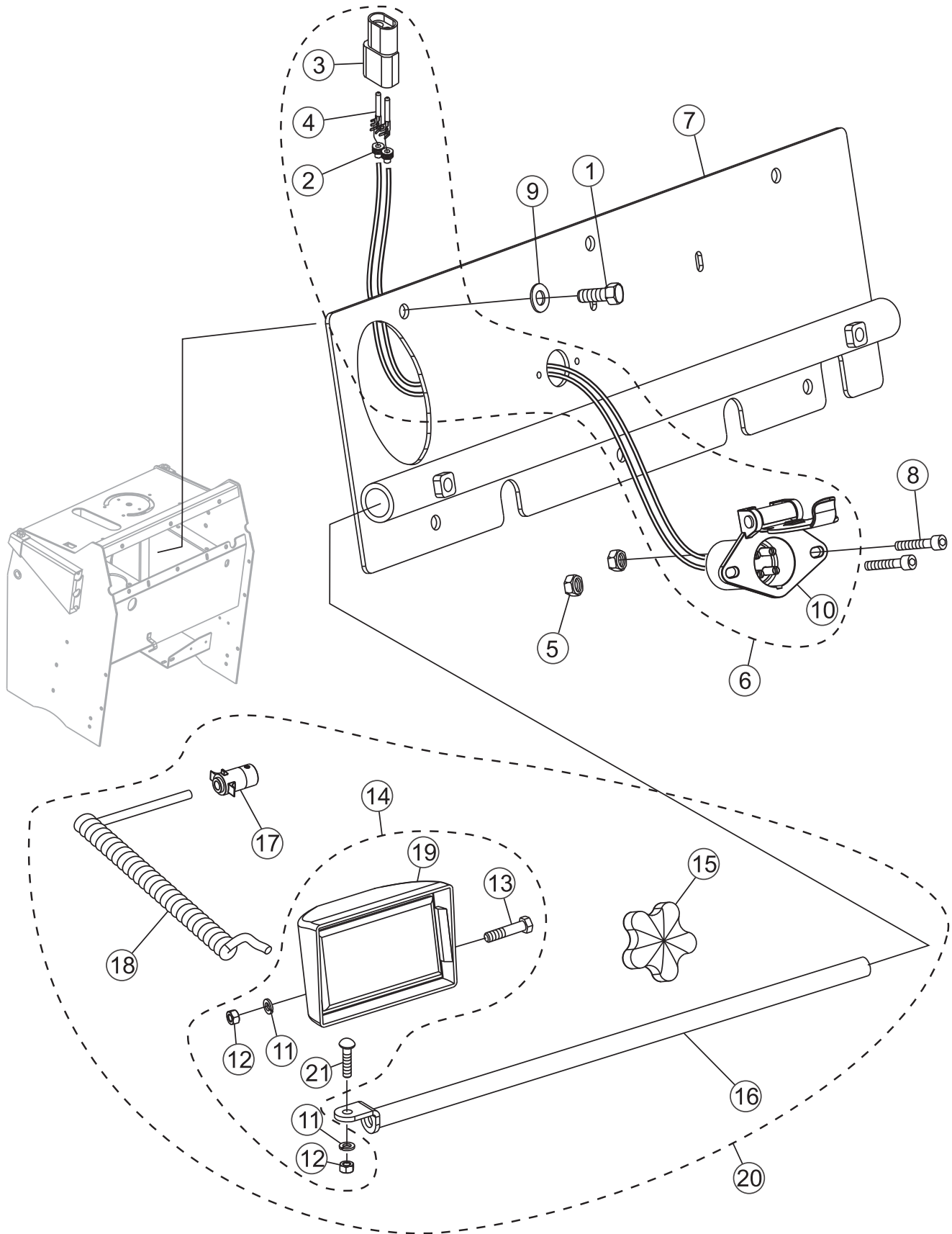
REAR CONSOLE ACCESS PANEL ASSY.

REAR CONSOLE ACCESS PANEL ASSY.

<u>NO.</u>	<u>PART NO.</u>	<u>PART NAME</u>	<u>QTY.</u>	<u>REMARKS</u>
1*	10024	NUT, NYLOC 1/4 X 20	4	
2*	10930	WASHER, FENDER 1/4 X 1-1/4	4	
3*	12287	SCREW, THP 1/4 - 20 X 3/4 SS	4	
4*	29057	DOCUMENT BOX	1	
5	37584	STRIP, BACKING PLATE SAW CONSOLE	1	
6	37220	STRIP, VERTICAL SAW CONSOLE	2	
7*	37617-353	PANEL, REAR SAW ACCESS	1	
8*	560020	LATCH, REAR SAW ACCESS PANEL	2	
9	37616	PANEL ASSEMBLY, REAR SAW ACCESS	1	INCLUDES ITEMS W/*

LIGHT CONNECTOR/DASH ACCESS ASSY.

LIGHT CONNECTOR/DASH ACCESS ASSY.



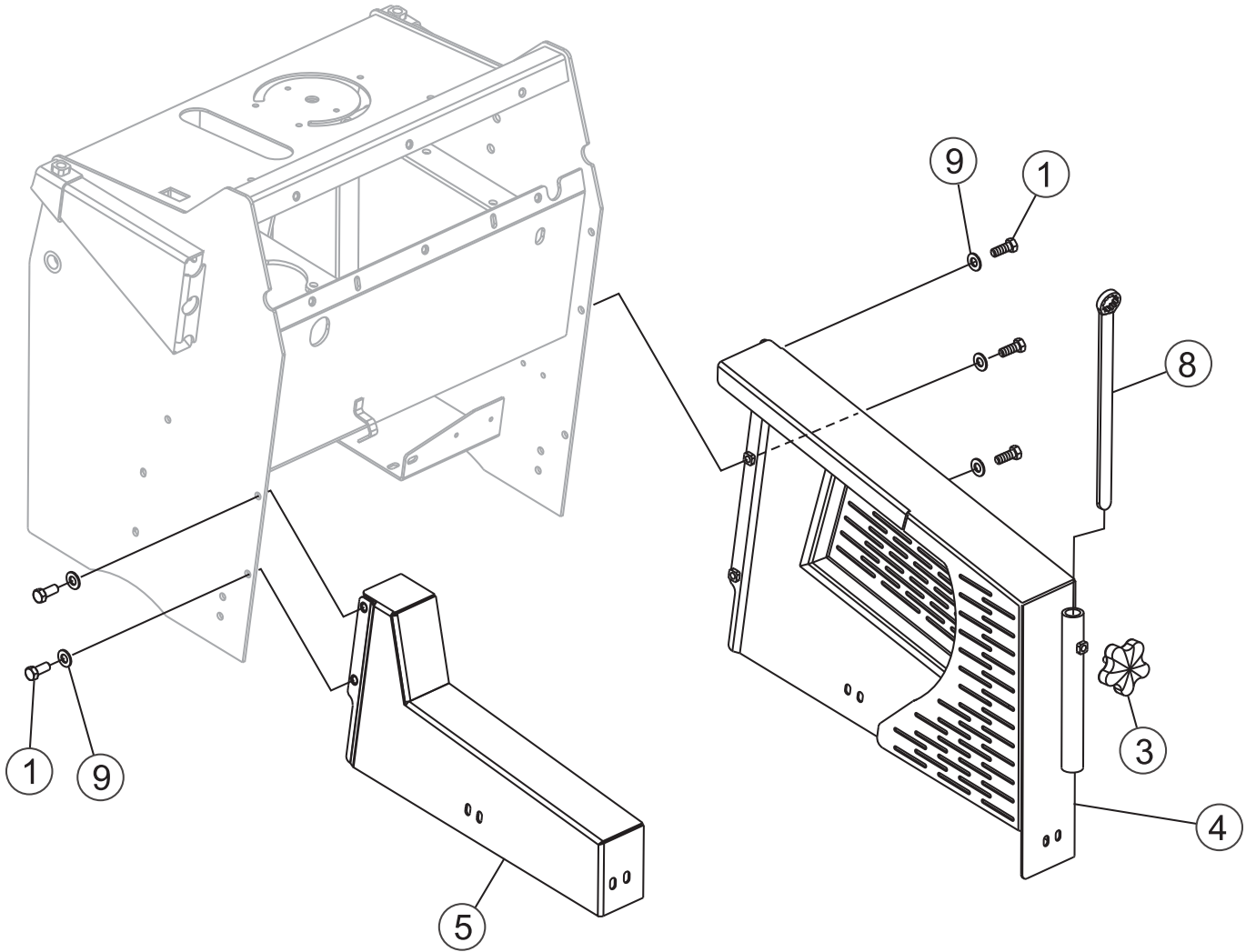
LIGHT CONNECTOR/DASH ACCESS ASSY.

LIGHT CONNECTOR/DASH ACCESS ASSY.

<u>NO.</u>	<u>PART NO.</u>	<u>PART NAME</u>	<u>QTY.</u>	<u>REMARKS</u>
1	0655	SCREW, HHC 5/16 - 18 X 3/4	6	
2*	12171	SEAL, WEATHERPACK 16-18 GA, GREEN	2	
3*	12176	CONNECTOR, WEATHERPACK 2 PIN MALE	1	
4*	12179	TERMINAL, WEATHERPACK MALE 14-16 GA	2	
5	13287	NUT, NYLOC 8-32	2	
6	37333	HARNESS, LIGHT KIT	1	INCLUDES ITEMS W/*
7	37614-353	COVER W/A, CONSOLE DASH ACCESS	1	
8	923114	SCREW, SHC 8-32 X 1/2	2	
9	933241	WASHER, FLAT SAE 5/16 GRD 9YZ	6	
10*	405000	CONNECTOR, 4-WAY SOCKET CHROME	1	
11+#	0161 C	WASHER, LOCK 5/16 MED	2	
12+#	0161 D	NUT, HEX 5/16 - 18	2	
13+#	0300 A	SCREW, HHC 5/16 - 18 X 2	1	
14+	2532	LIGHT ASSEMBLY	1	INCLUDES ITEMS W/#
15+	15503	KNOB, COMFORT GRIP STAR	1	
16+	120206	LIGHT BAR	1	
17+	405001	CONNECTOR PLUG, 4-PIN FEMALE	1	
18+	405002	CORD, LIGHT EXTENDABLE	1	
19+	H9406	BULB, GE H9406	1	
20	M18004	LIGHT KIT, SAW	1	INCLUDES ITEMS W/+
21+#	11963	BOLT, CARRIAGE 5/16 - 18 X 1	1	

BELT AND ENGINE GUARDS ASSY.

BELT AND ENGINE GUARDS ASSY.

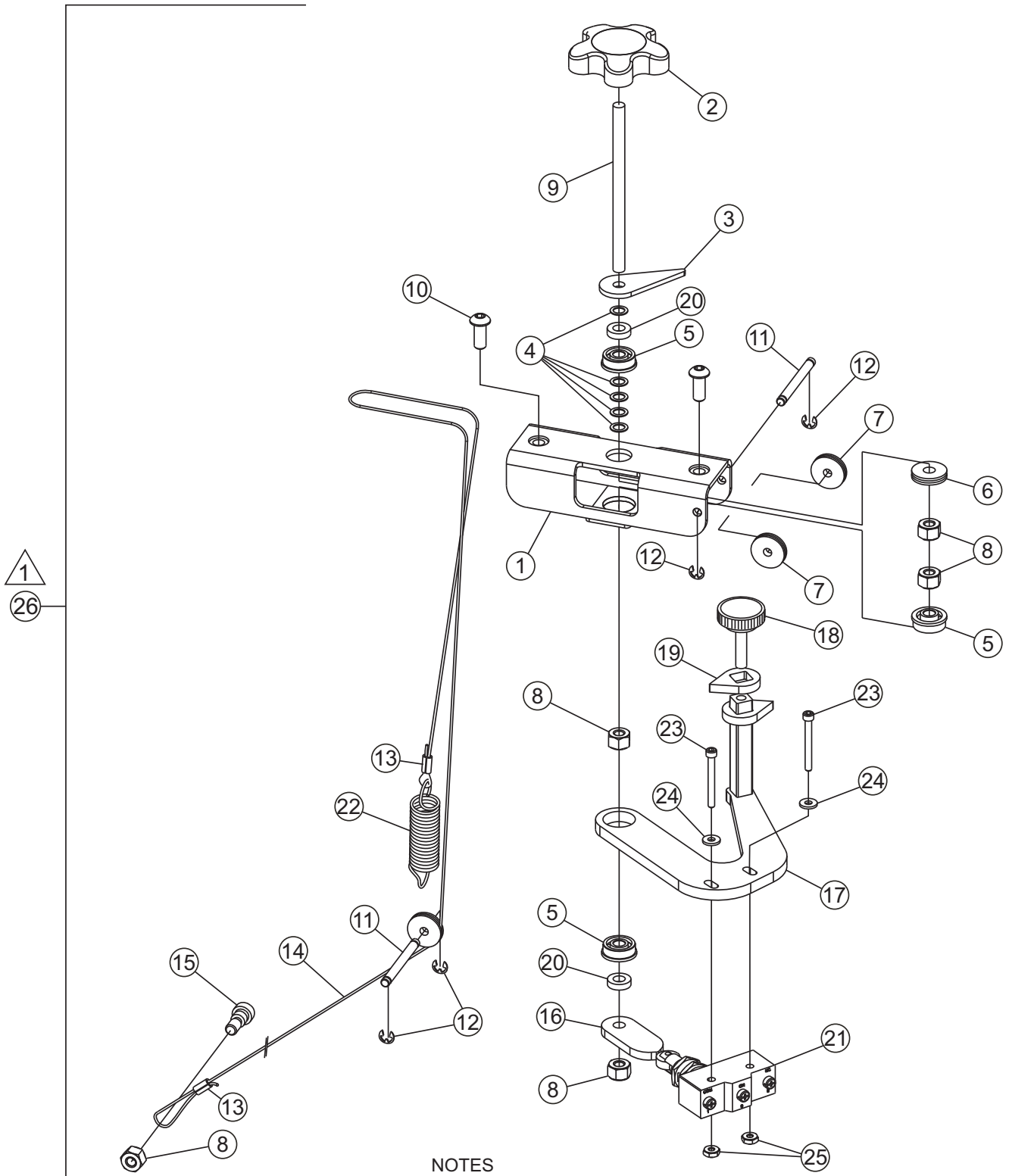


BELT AND ENGINE GUARDS ASSY.

BELT AND ENGINE GUARDS ASSY.

<u>NO.</u>	<u>PART NO.</u>	<u>PART NAME</u>	<u>QTY.</u>	<u>REMARKS</u>
1	0166	SCREW, HHC 3/8 - 16 X 7/8	5	
3	15503	KNOB, COMFORT	1	
4	37606-353	GUARD, BELT DRIVE	1	SAFETY ITEM
5	37610-353	GUARD, ENGINE	1	SAFETY ITEM
8	584011	WRENCH, 15/16 BLADE CLOSED END	1	
9	933242	WASHER, FLAT SAE 3/8 GRD 9 YZ	5	

DEPTH INDICATOR/STOP SWITCH ASSY. (OLD STYLE)



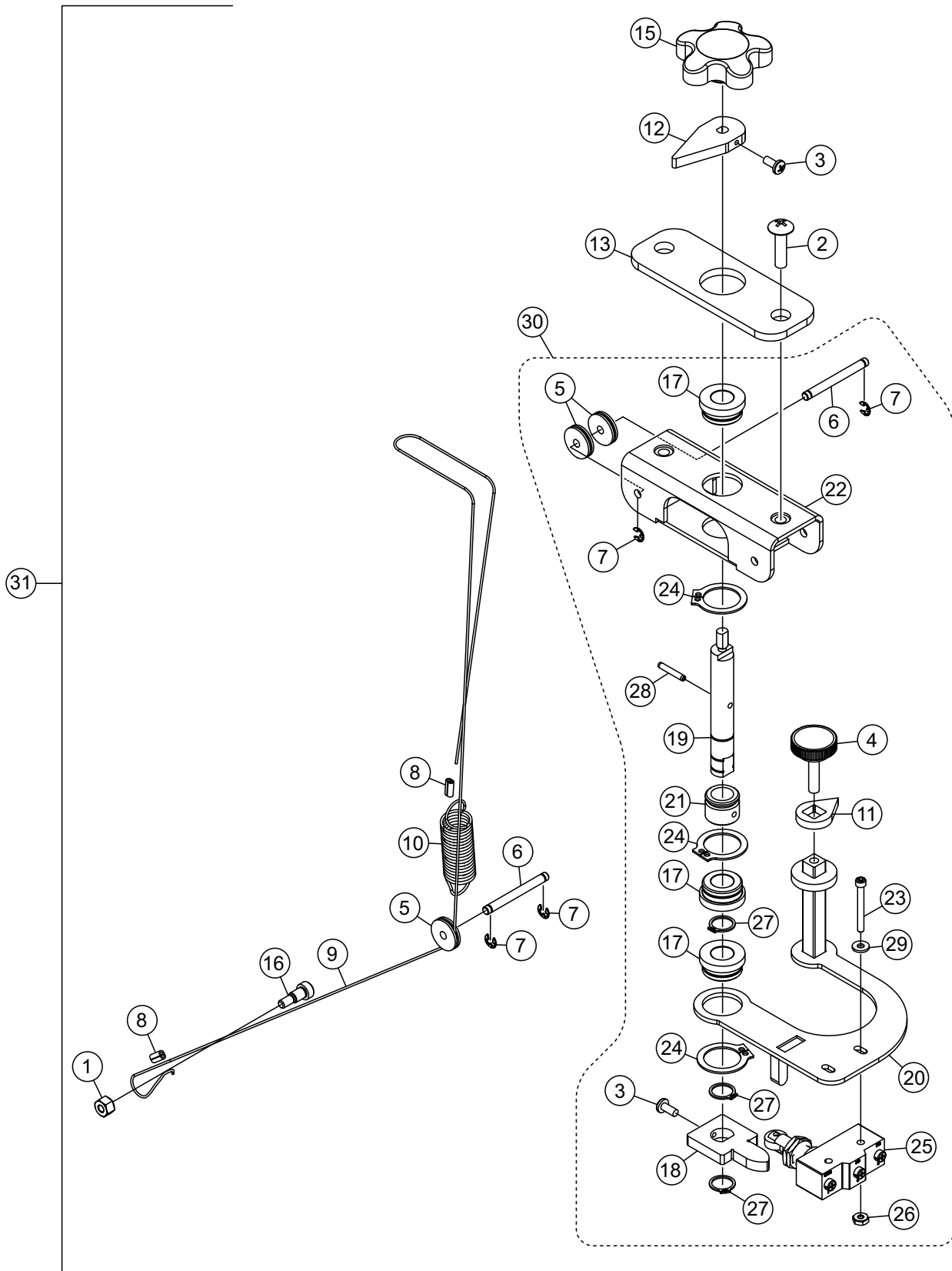
NOTES

- 1 OLD STYLE DEPTH INDICATOR ASSY, P/N 37597, NO LONGER AVAILABLE. WHEN REPLACING ENTIRE ASSY, USE P/N 38304. SEE DEPTH INDICATOR/STOP SWITCH ASSY (NEW STYLE)

DEPTH INDICATOR/STOP SWITCH ASSY. (OLD STYLE)

<u>NO.</u>	<u>PART NO.</u>	<u>PART NAME</u>	<u>QTY.</u>	<u>REMARKS</u>
1@	37598	BASE, 4030 SAW DEPTH INDICATOR	1	
2@	560025	KNOB, SAW DEPTH INDICATOR	1	
3@	110031	POINTER, CONCRETE SAW DEPTH	1	
4@	583059	SHIM, 0.375 OD X 0.25 ID X .020 THK	5	
5@	460019	FLANGE, BEARING 0.25 ID X 0.75 OD	3	
6@	37155	PULLEY, CABLE .75 OD	1	
7@	37240	PULLEY, CABLE .75 OD	2	
8@	10024	NUT, NYLOC 1/4 - 20	5	
9@	37622	STUD, 1/4 - 20 X 4" BLACK OXIDE	1	
10@	973752	SCREW, BHSC 1/4 - 20 X 5/8 SS	2	
11@	37241	SHAFT, DEPTH INDICATOR	2	
12@	37332	RING, 3/16 E-STYLE EXTERNAL	4	
13@	37404	SLEEVE, 3/64 ROPE DIA. COMPRESSION	2	
14@	37504	CABLE, 3/64 DIA, 7 X 19 STRAND NYLON COAT	1	
15@	926149	SCREW, SH SHLDR 1/2-20, 5/16 OD X 1/4 L	1	
16@	37736	CAM, DEPTH STOP POINTER	1	
17@	37600	ARM, W/A, 4030 DEPTH STOP POINTER	1	
18@	21468	KNOB, PLASTIC 1/4 - 20 X 1 STUD	1	
19@	37603	POINTER, DEPTH STOP	1	
20@	37605	SPACER, DEPTH INDICATOR POINTER	2	
21@	37203	SWITCH, SNAP ACTION ROLLER PLUNGER	1	
22@	37527	SPRING, EXT. .625 OD X 2.5L X .053 M WIRE	1	
23@	37766	SCREW, SHC 6-32 X 1.25	2	
24@	1450	WASHER, FLATSAE #6	2	
25@	11152	NUT, NYLOC 6-32	2	
26	37597	DEPTH INDICATOR ASSY	1	INCLUDES ITEMS W/@ NO LONGER AVAILABLE

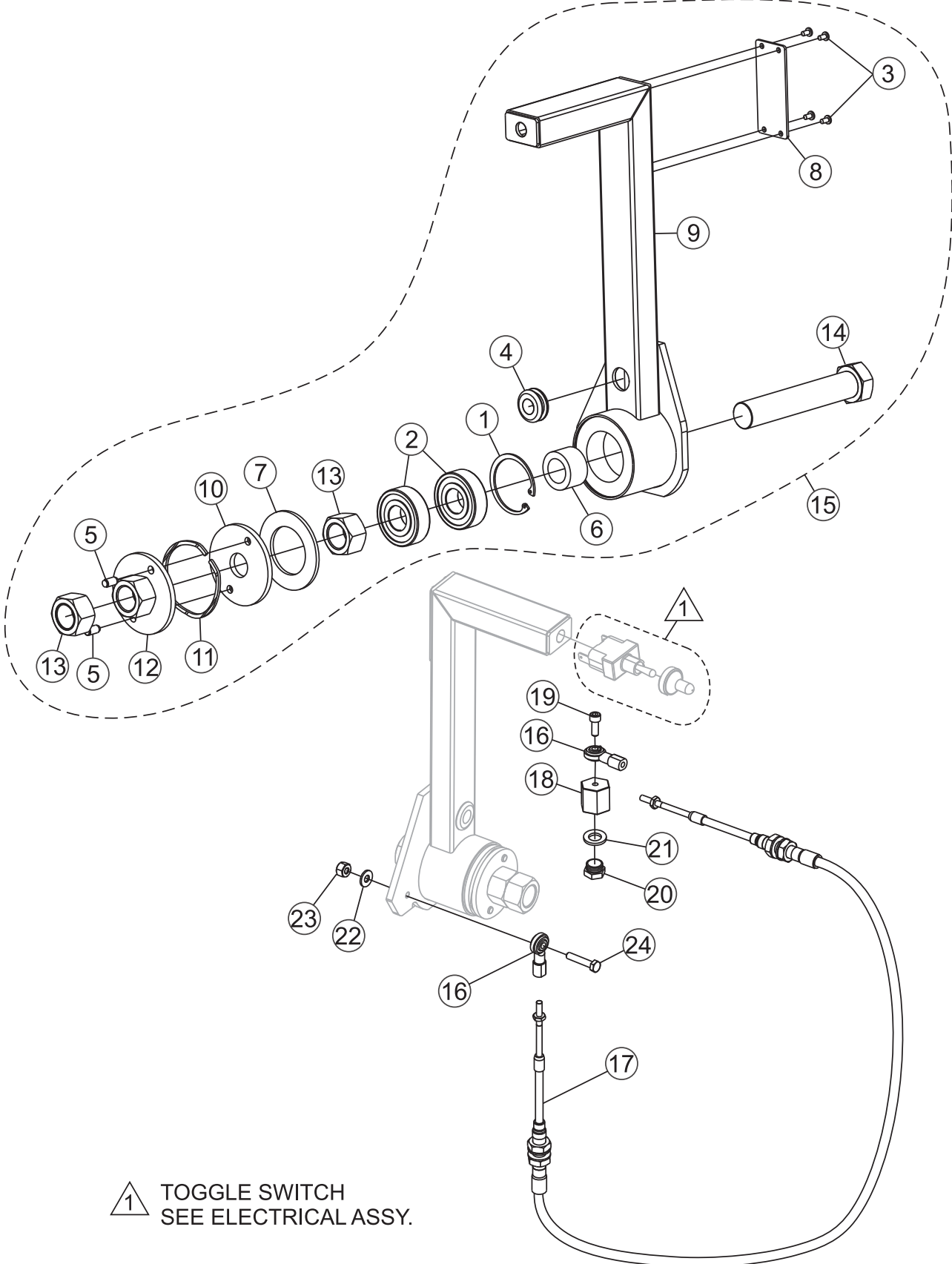
DEPTH INDICATOR/STOP SWITCH ASSY. (NEW STYLE)



DEPTH INDICATOR/STOP SWITCH ASSY. (NEW STYLE)

<u>NO.</u>	<u>PART NO.</u>	<u>PART NAME</u>	<u>QTY.</u>	<u>REMARKS</u>
1@	1618	NUT, NYLOC 10-24	1	
2@	12288	SCREW, THP 1/4-20 X 3/4 SS	2	
3@#	19298	SCREW, PHP 6-32 X 3/8	2	
4@#	21468	KNOB, PLASTIC 1/4-20 X 1 STUD	1	
5@#	37240	PULLEY, CABLE .75 OD X .625 PITCH X .190 BORE	3	
6@#	37241	SHAFT, DEPTH INDICATOR	2	
7@#	37332	RING, 3/16 E-STYLE EXTERNAL	4	
8@	37404	SLEEVE, 3/64 ROPE DIA. COMPRESSION	2	
9@	37504	CABLE, 3/64 DIA, 7X19 STRAND NYLON COAT,4 FT	1	
10@	37527	SPRING, EXT. .625OD X 2.5L X .053 M WIRE	1	
11@#	37603	POINTER, DEPTH STOP	1	
12@	38302	POINTER, SAW DEPTH INDICATOR	1	
13@	38306	SPACER, DEPTH STOP INDICATOR	1	
15@	560025	KNOB, SAW DEPTH INDICATOR	1	
16@	926149	SCREW, SHDLR 1/4D X 5/16L ,10-24,SCKT HD	1	
17@#	38308	BUSHING, FLANGED .50 I.D.	3	
18@#	38305	CAM, DEPTH STOP SWITCH	1	
19@#	38303	SHAFT, DEPTH STOP INDICATOR	1	
20@#	38301	ARM, DEPTH STOP POINTER W/A	1	
21@#	38298	PULLEY, DEPTH INDICATOR	1	
22@#	38297	BASE, 4030 DEPTH INDICATOR W/A	1	
23@#	37766	SCREW, SHC 6-32 X 1.25	2	
24@#	37679	SNAP RING, SH 87	3	
25@#	37203	SWITCH, SNAP ACTION ROLLER PLUNGER POSITION	1	
26@#	11152	NUT, NYLOC 6-32	2	
27@#	1737	RING, SNAP, TRUARC 5100-50	3	
28@#	1586	PIN, ROLL 1/8 x 3/4	1	
29@#	1450	WASHER, FLAT SAE #6	2	
30	38307	DEPTH STOP INDICATOR SUB ASSY.	1	INCLUDES ITEMS W/#
31	38304	DEPTH INDICATOR ASSY	1	INCLUDES ITEMS W/@

F-N-R ASSY.



△ TOGGLE SWITCH
SEE ELECTRICAL ASSY.

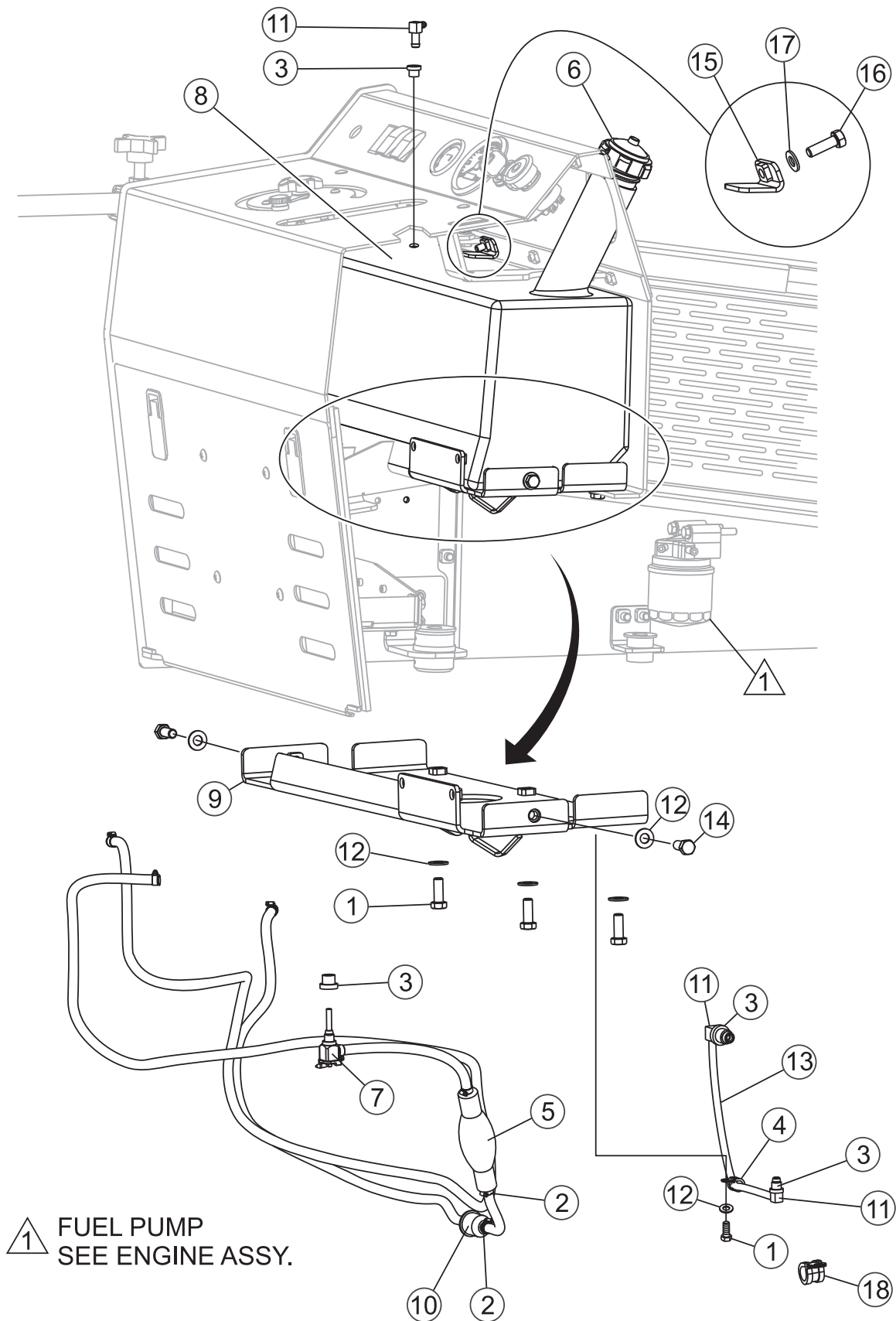
F-N-R ASSY.

F-N-R ASSY.

<u>NO.</u>	<u>PART NO.</u>	<u>PART NAME</u>	<u>QTY.</u>	<u>REMARKS</u>
1*	576003	SNAP RING - HO-185	1	
2*	460021	BEARING, ROLLER # 6204 2RS	2	
3*	20842	SCREW, PAN HD 6-32 X 1/4	4	
4*	579072	GROMMET, 1/2" ID	1	
5*	926917	PIN, DOWEL 1/4 X 1/2	2	
6*	37015	SPACER, FNR PIVOT	1	
7*	37014	DISC, FNR FRICTION BRAKE	1	
8*	37013	PLATE, FNR ACCESS COVER	1	
9*	37022	WELDMENT, FNR HANDLE	1	
10*	37016	PLATE, FNR BRAKE	1	
11*	37091	SPRING, SMALLEY WAVO RW-0250	1	
12*	37024	WELDMENT, FNR SPRING PLATE	1	
13*	37025	NUT, HEX FINISH M20-2.5	2	
14*	37026	SCREW, HHC M20 X 2.5 X 120	1	
15	37021	FNR ASSEMBLY	1	INCLUDES ITEMS W/*
16	2153	ROD END	2	
17	37136	CABLE, PUSH PULL 56"	1	
18	37299	STANDOFF, PUMP CONTROL	1	
19	07469-004	SCREW, SHC 10-32 X 1/2	1	
20	4683	SCREW, HHC 5/16 - 18 X 5/8	1	
21	933241	WASHER, FLAT SAE 5/16 GRD 9 YZ	1	
22	2203	WASHER, FLAT #10	1	
23	10019	NUT, NYLOC 10-32	1	
24	3513	SCREW, HHC 10 - 32 X 1	1	

FUEL ASSY.

FUEL ASSY.



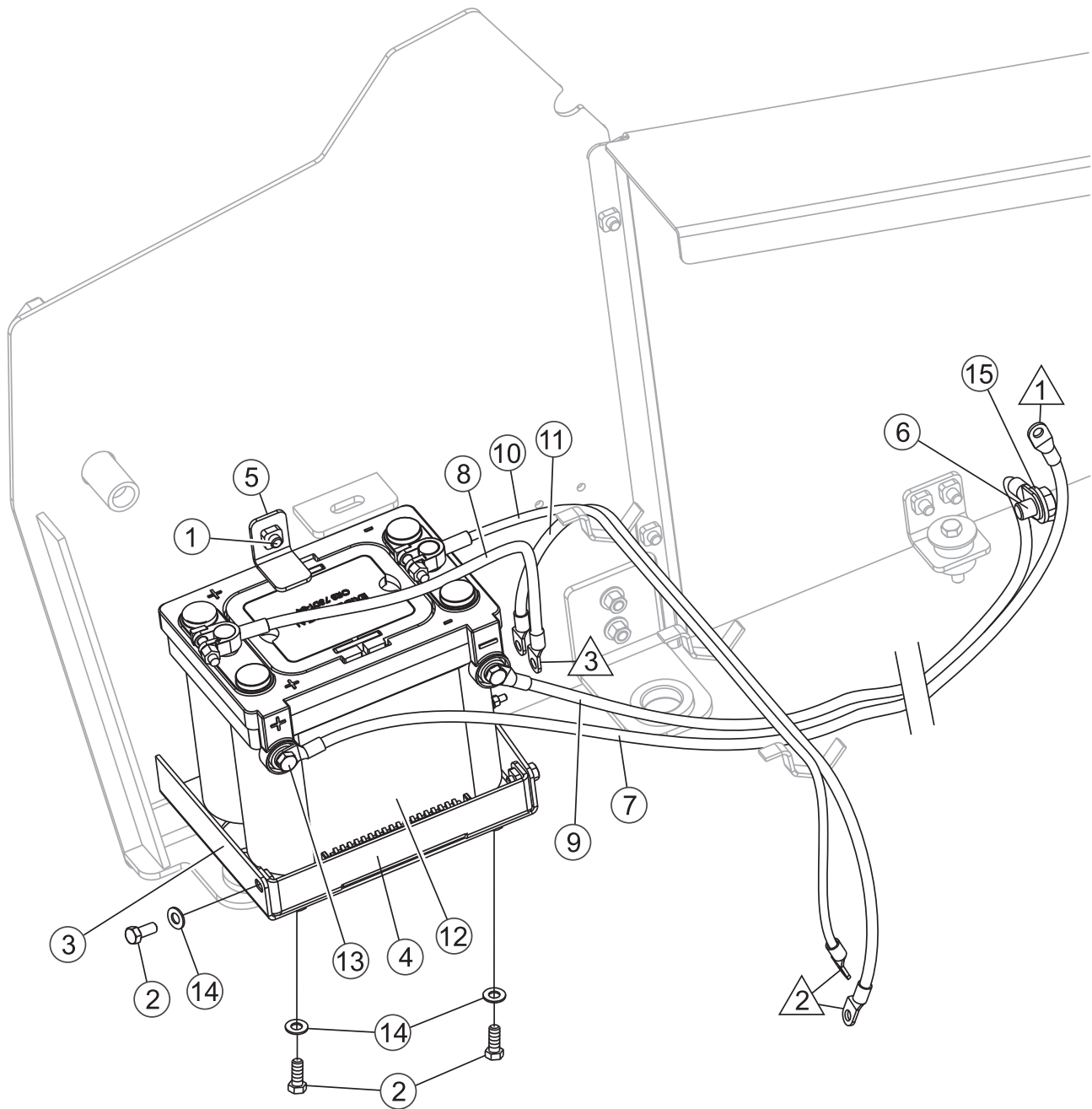
FUEL ASSY.

FUEL ASSY.

<u>NO.</u>	<u>PART NO.</u>	<u>PART NAME</u>	<u>QTY.</u>	<u>REMARKS</u>
1	0205	SCREW, HHC 3/8 - 16 X 1.0	4	
2	19473	CLAMP, WORM HOSE 2"	8	
3	19633	BUSHING, RUBBER FUEL DAPCO	4	
4	35022	CLAMP, LOOP CUSHIONED #8	1	
5	29338	PRIMER BULB 5/16 HOSE BARB	1	
6	29509	CAP, FUEL TANK	1	
7	37128	BALL VALVE, 90 W/SCREEN #5	1	
8	37621	FUEL TANK	1	
9	37594-353	MOUNT, FUEL TANK 4030	1	
10	304010	FILTER, FUEL PRIMARY	1	
11	368006	FITTING, FUEL 90 DEG	3	
12	933242	WASHER, FLAT SAE 3/8 GRD 9 YZ	6	
13	60058	HOSE, 1/4 X 3/8 PVC YELLOW	1.2 SOLD BY FOOT
14	0166	SCREW, HHC 3/8 - 16 X 7/8	2	
15	37224	CLIP, FUEL TANK RETAINER	2	
16	0202	SCREW, HHC 5/16 - 18 X 1.0 ZINC	2	
17	933241	WASHER, FLAT SAE 5/16 GRD 9 YZ	2	
18	35022	CLAMP, LOOM	1	

BATTERY ASSY.

BATTERY ASSY.



△ 1 TO ENGINE STARTER MOTOR

△ 2 TO LIFT PUMP.
SEE HYDRAULIC SYSTEM ASSY.

△ 3 TO LIFT PUMP SOLENOID (RELAY).
SEE ELECTRICAL CONTROL ASSY.

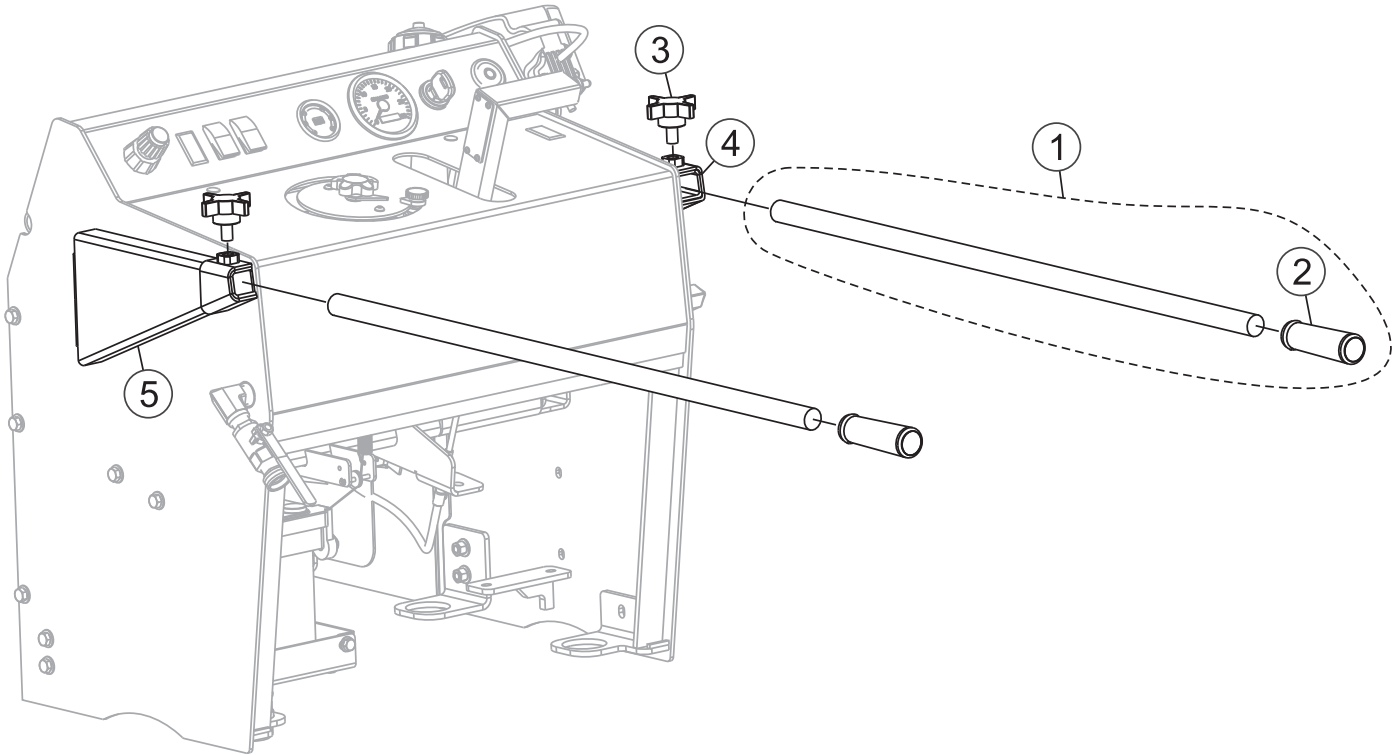
BATTERY ASSY.

BATTERY ASSY.

<u>NO.</u>	<u>PART NO.</u>	<u>PART NAME</u>	<u>QTY.</u>	<u>REMARKS</u>
1	0166	SCREW, HHC 3/8 - 16 X 7/8	1	
2	0655	SCREW, HHC 5/16 - 18 X 3/4	4	
3	37585	BOX, BATTERY	1	
4	37098	RETAINER, BATTERY HOLD-DOWN	1	
5	37258	CLIP, BATTERY RETAINER	1	
6	37284	SCREW, HHC M14 - 2.0 X 20MM GRD 8.8 PLTD	1	
7	37690	CABLE, POSITIVE BATTERY STARTER	1	
8	37692	CABLE, POSITIVE BATT. SOLENOID LIFT PUMP	1	
9	37699	CABLE, NEGATIVE BATTERY ENGINE	1	
10	37691	CABLE, NEGATIVE BATTERY LIFT PUMP	1	
11	37688	CABLE, POSITIVE BATT. SOLENOID LIFT PUMP	1	
12	404006	BATTERY, EXIDE ORB75DT-84	1	
13	915101	SCREW, HHC 3/8 - 16 X 1/2 GRD 8	2	
14	933241	WASHER, FLAT SAE 5/16 GRD 9 YZ	4	
15	933245	WASHER, FLAT SAE 9/16 GRD 9 YZ	1	

HANDLEBARS ASSY.

HANDLEBARS ASSY.



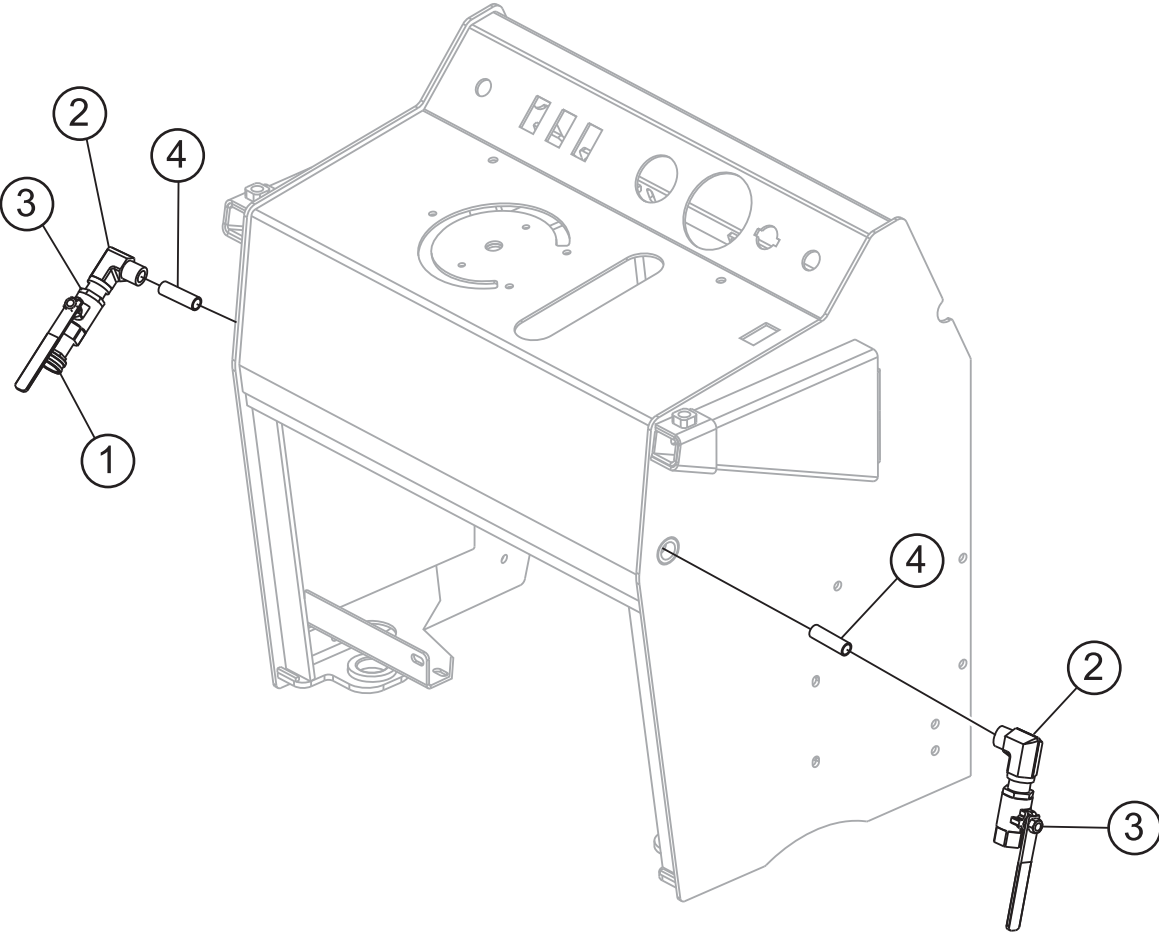
HANDLEBARS ASSY.

HANDLEBARS ASSY.

<u>NO.</u>	<u>PART NO.</u>	<u>PART NAME</u>	<u>QTY.</u>	<u>REMARKS</u>
1	560023	HANDLEBAR ASSY., CONCRETE SAW	2	
2	560017	GRIP, HANDLEBAR	2	
3	19977	KNOB, CLAMP 1/2 - 13 THREAD	2	
4	37589	SUPPORT, RH SAW HANDLEBAR GUIDE	1	
5	37590	SUPPORT, LH SAW HANDLEBAR GUIDE	1	

WATER SYSTEM ASSY.

WATER SYSTEM ASSY.



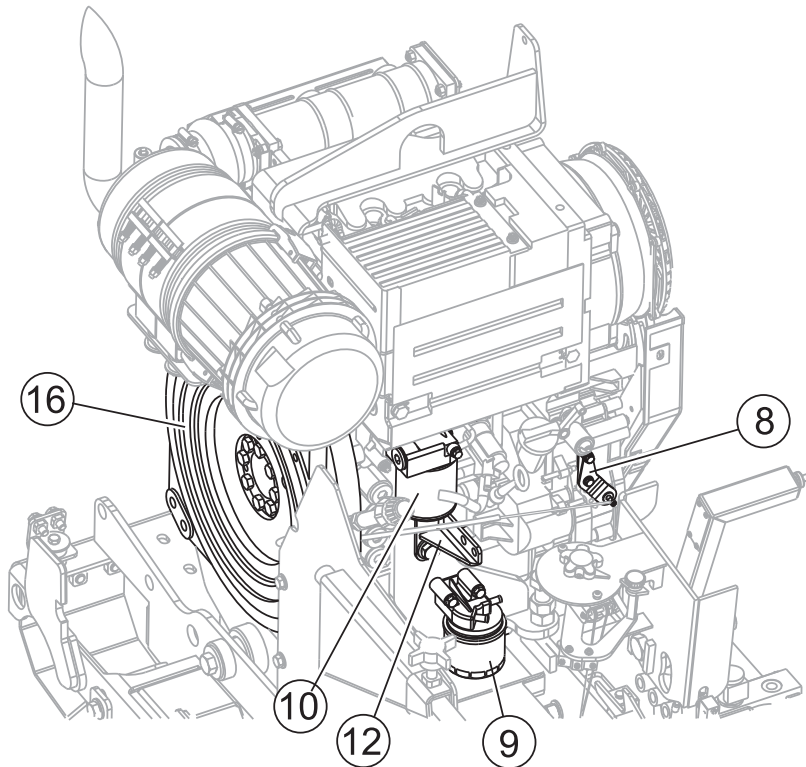
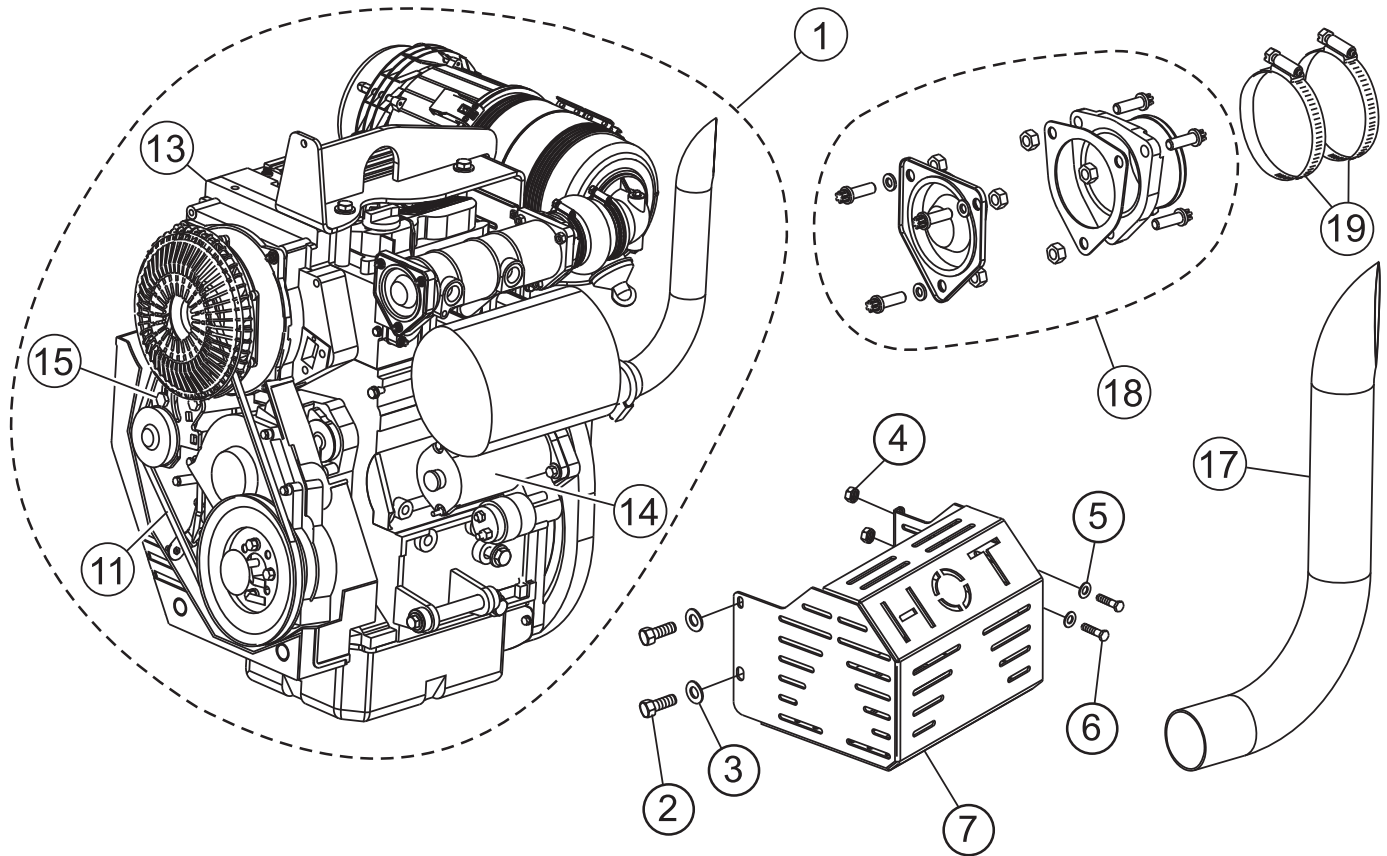
WATER SYSTEM ASSY.

WATER SYSTEM ASSY.

<u>NO.</u>	<u>PART NO.</u>	<u>PART NAME</u>	<u>QTY.</u>	<u>REMARKS</u>
1	38313	FITTING, BRASS (F) 3/4 GHT SWIVEL 3/8 MNPT	1	
2	37813	FITTING, 90 1/2MP - 3/8FP	2	
3	37311	BALL VALVE, BRASS 3/8 MNPT X FNPT	2	
4	25607	FITTING, COUPLING 1/2" NPT	2	

ENGINE ASSY.

ENGINE ASSY.



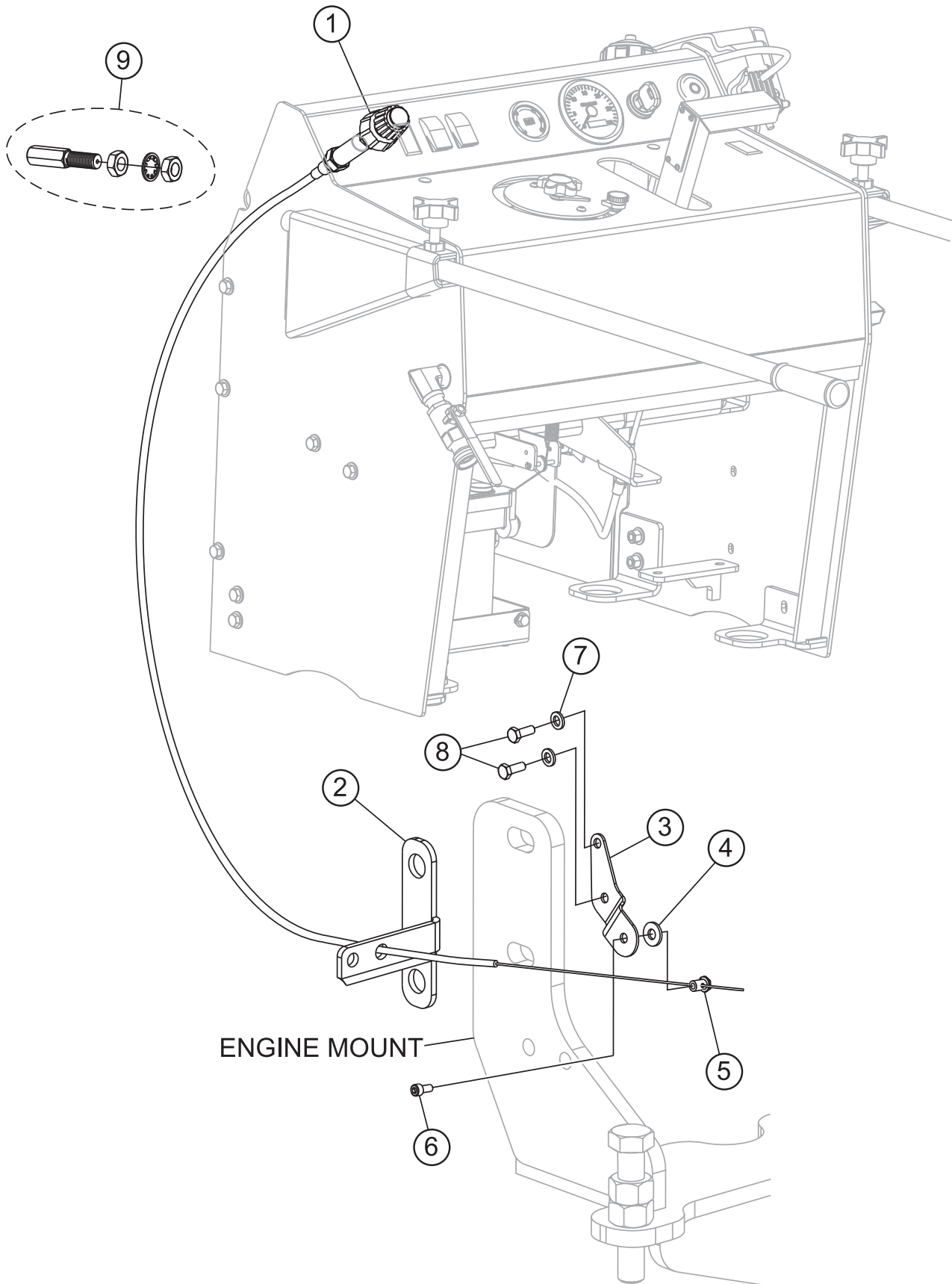
ENGINE ASSY.

ENGINE ASSY.

<u>NO.</u>	<u>PART NO.</u>	<u>PART NAME</u>	<u>QTY.</u>	<u>REMARKS</u>
1	37655	ENGINE, ASSEMBLY 4030	1	INCLUDES ITEMS W/#
2	2299	SCREW, HHC M8 - 1.25 X 16MM	1	
3	25591	WASHER, M8	1	
4	10024	NUT, NYLOC 1/4 X 20	2	
5	933240	WASHER, FLAT SAE 1/4 GR 9 YZ	2	
6	915004	SCREW, HHC 1/4 - 20 X 7/8	2	
7	37752	HEAT SHIELD	1	SAFETY ITEM
8	37255	THROTTLE LEVER	1	
9	1174696	FILTER, FUEL DEUTZ	1	
10	1174416	FILTER, OIL DEUTZ	1	
11#	21004-003	V-BELT, AX-35	1	
12	37669	BRACKET, THROTTLE/FNR CABLE	1	
13#	35374	ENGINE, DEUTZ 30HP BF2L2011	1	
14#		STARTER	1	
15#		BOLT, (BELT ADJUST)	1	
16#		FLYWHEEL	1	
17	35365	EXHAUST, 4030 EXTENSION	1	
18	35374	AIR INTAKE MOUNT AND CAP	1	
19	29218	CLAMP, HOSE WORM #48 3.375 DIA.	2	

THROTTLE CONTROL ASSY.

THROTTLE CONTROL ASSY.



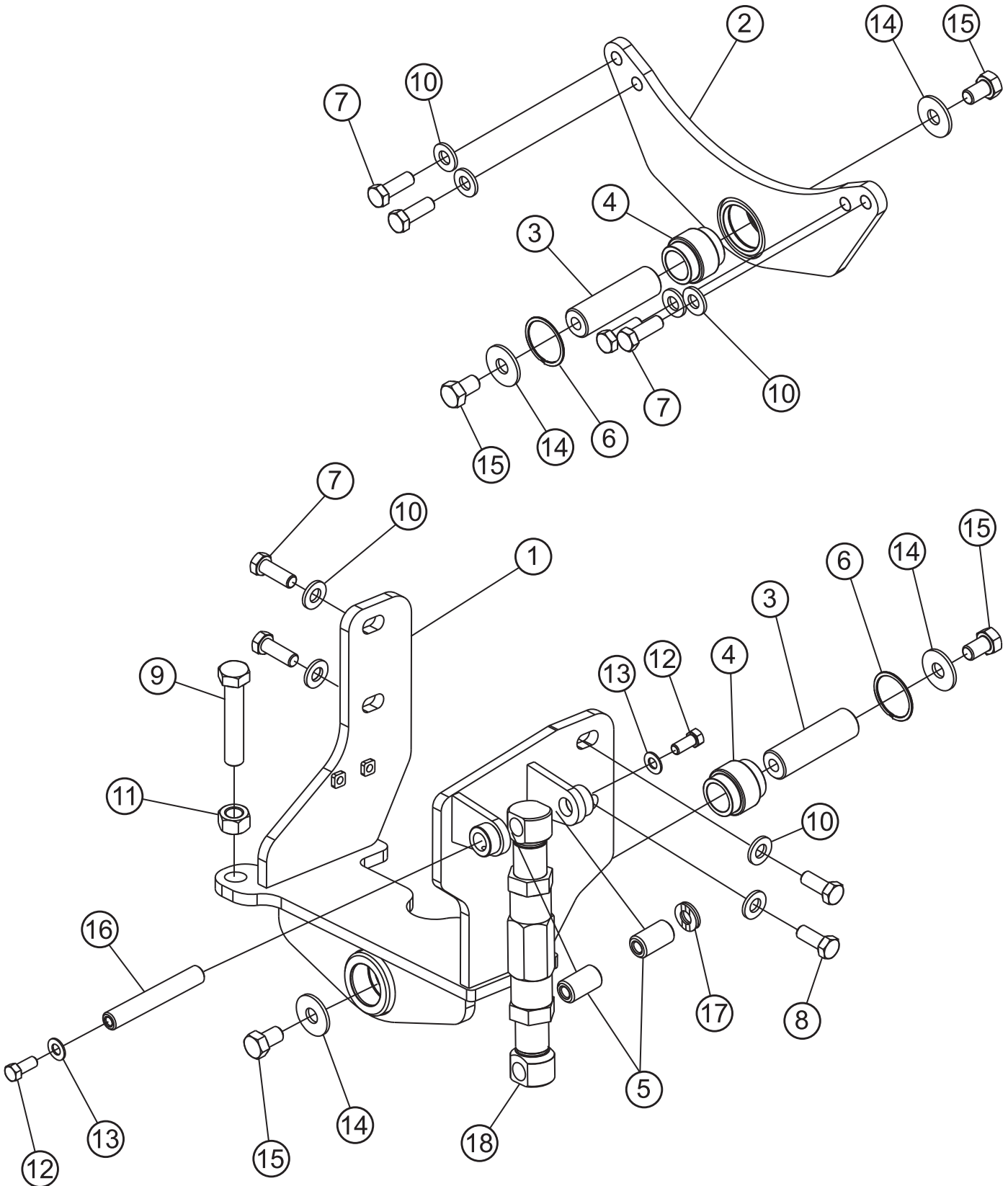
THROTTLE CONTROL ASSY.

THROTTLE CONTROL ASSY.

<u>NO.</u>	<u>PART NO.</u>	<u>PART NAME</u>	<u>QTY.</u>	<u>REMARKS</u>
1	37212	THROTTLE	1	
2	37669	BRACKET, THROTTLE/FNR CABLE	1	
3	37255	LEVER, THROTTLE	1	
4	933240	WASHER, FLAT SAE 1/4 GRD 9 YZ	1	
5	25624	SWIVEL, CABLE END W/ WASHER	1	
6	923113	SCREW, SHC 8 - 32 X 3/8 GRD 8	1	
7	23942-097	WASHER, M6	2	
8	12464	SCREW, HHC M6 - 1.0 X 16MM	2	
9	25634	BULK HEAD ADAPTOR	1	

ENGINE MOUNTS ASSY.

ENGINE MOUNTS ASSY.



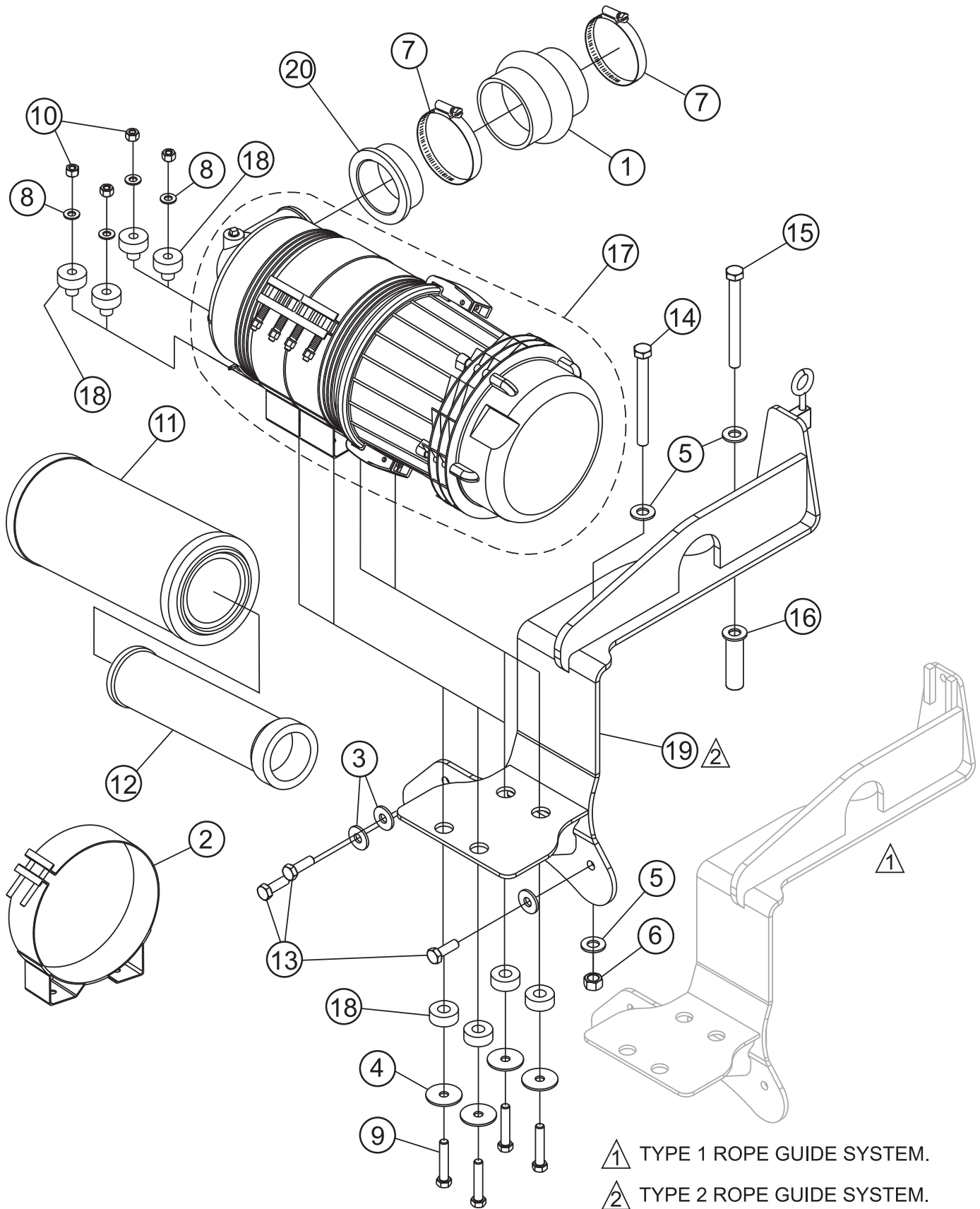
ENGINE MOUNTS ASSY.

ENGINE MOUNTS ASSY.

<u>NO.</u>	<u>PART NO.</u>	<u>PART NAME</u>	<u>QTY.</u>	<u>REMARKS</u>
1	37658	MOUNT, DEUTZ ENGINE RH	1	
2	37100	MOUNT, LH ENGINE	1	
3	37661	PIN, 4030 ENGINE PIVOT	2	
4	37031	BEARING, PLAIN 2.000 ULTRASERT UC200	2	
5	37741	SPACER, 1.00 OD X .75 ID X 1	2	
6	37313	RING, SPIRAL RETAINING WHM-200	2	
7	37310	SCREW, HHC M14-2.0 X 40MM GRD 10.9 NP	6	
8	37146	SCREW, HHC M14-2.0 X 35MM GRD 10.9 NP	2	
9	913838	SCREW, HHC 3/4 - 10 X 4 GRD5 ZINC	1	
10	933245	WASHER, FLAT SAE 9/16 GRD 9 YZ	8	
11	4389	NUT, HEX 3/4 - 10	1	
12	16530	SCREW, HHC 7/16 - 14 X 1	2	
13	933243	WASHER, FLAT SAE 7/16 GRD 9 YZ	2	
14	37037	WASHER, ENGINE PIVOT PIN	4	
15	06505-008	SCREW, HHC 5/8 - 11 X 1.00	4	
16	37166	PIN, LOWER ENGINE PIVOT	1	
17	37322	SPRING, CREST-TO-CREST C100-L2	1	
18	37751	TURNBUCKLE	1	

LIFTING BALE AND AIR CLEANER ASSY.

LIFTING BALE AND AIR CLEANER ASSY.



LIFTING BALE AND AIR CLEANER ASSY.

LIFTING BALE AND AIR CLEANER ASSY.

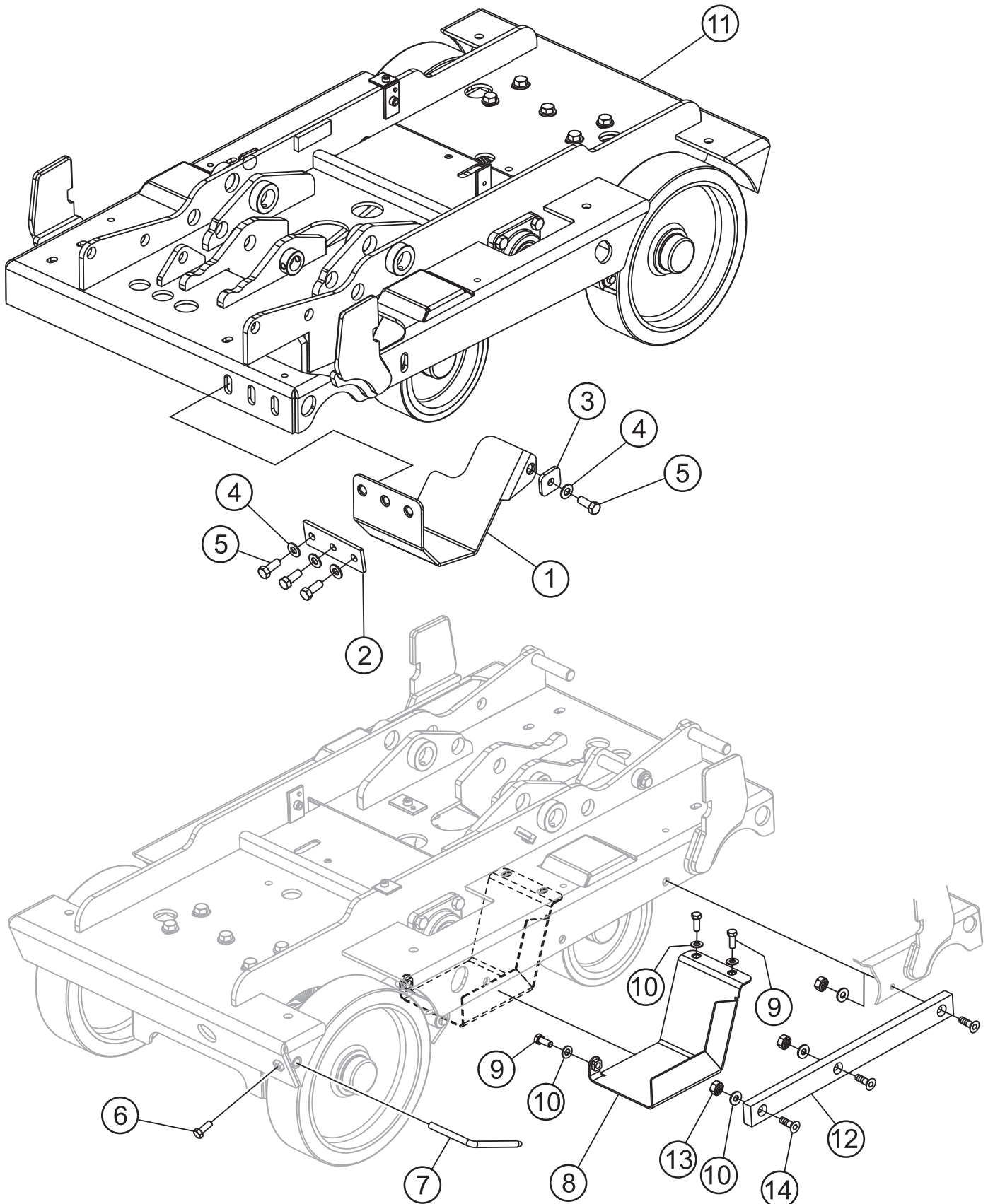
<u>NO.</u>	<u>PART NO.</u>	<u>PART NAME</u>	<u>QTY.</u>	<u>REMARKS</u>
1	302009	HOSE, HUMP 3" X 2.75"	1	
2	37761	BRACKET, AIR INTAKE BODY	2	
3	940358	WASHER, FLAT 10.5MM X 20MM ZINC	3	
4	12832	WASHER, SNUBBING KORF .148099-1	4	
5	933244	WASHER, FLAT SAE 1/2 GRD 9 YZ	3	
6	16083	NUT, HEX M12 - 1.75 NO PLATE	1	
7	29218	CLAMP, HOSE WORM # 48	2	
8	933241	WASHER, FLAT SAE 5/16 GRD 9 YZ	4	
9	1665	SCREW, HHC 3/8 - 16 X 2	4	
10	5283	NUT, NYLOC 5/16 - 18	4	
11	P772579	PRIMARY FILTER, DEUTZ BF3L2013	1	
12	P775300	SAFETY FILTER, DEUTZ BF3L2014	1	
13	9182	SCREW, HHC M8 - 1.25 X 45MM	3	
14	37314	SCREW, HHC M12 - 1.75 X 100MM TAP BOLT NP	1	
15	37315	SCREW, HHC M12 - 1.75 X 100MM 10.9 NP	1	
16	37144	SPACER, ENGINE LIFTING BRACKET	1	
17	37663	FILTER ASSEMBLY ENGINEAIRE 2-5 7 VLR 90	1	
18	575001	RUBBER ISOLATOR (2-PIECE)	4	
19	37664	MOUNT, 4030 LIFTING BALE/AIR CLEANER	1 SEE NOTE BELOW
20	25791	BUSHING, AIR INTAKE 2.75 X 3.00	1	



NOTE: TYPE 2 ROPE GUIDE SYSTEM
 SUPERCEDES TYPE 1 ROPE GUIDE
 SYSTEM. SEE ILLUSTRATION ON FRONT
 POINTER ASSY.

PLATFORM GUARDS/REAR POINTER ASSY.

PLATFORM GUARDS/REAR POINTER ASSY.



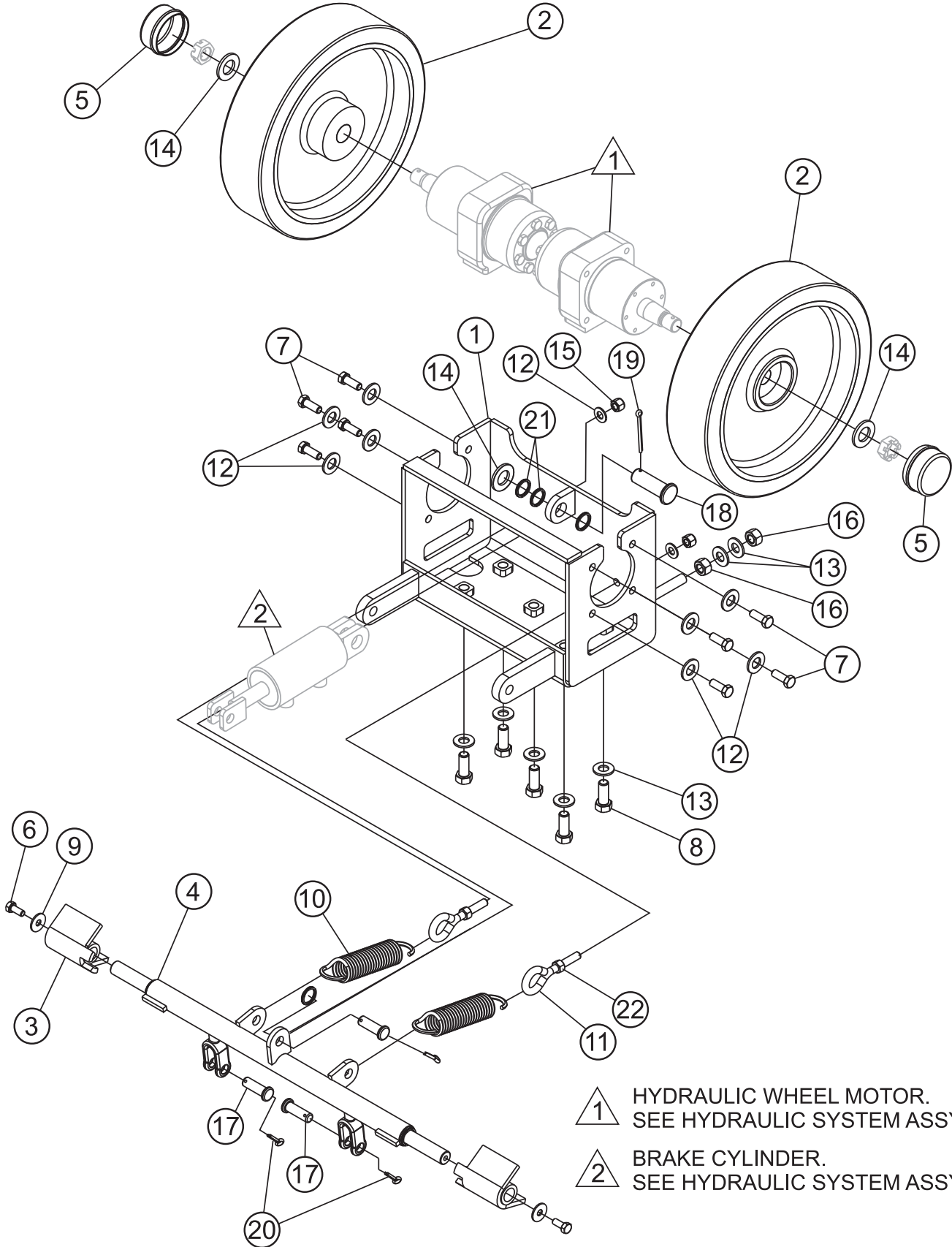
PLATFORM GUARDS/REAR POINTER ASSY.

PLATFORM GUARDS/REAR POINTER ASSY.

<u>NO.</u>	<u>PART NO.</u>	<u>PART NAME</u>	<u>QTY.</u>	<u>REMARKS</u>
1	37682	GUARD, BLADESHAFT PULLEY	1	SAFETY ITEM
2	583091	STRAP, LOWER BELT GUARD	1	
3	583092	WASHER, LOWER BELT PROTECTOR	1	
4	933244	WASHER, FLAT SAE 1/2 GRD 9 YZ	4	
5	3214	SCREW, HHC 1/2 - 13 X 1-1/4	4	
6	915105	SCREW, HHC 3/8 - 16 X 1.0 GRD 8	1	
7	110020	POINTER, REAR SAW	1	
8	37728	SHIELD, CONCRETE SLURRY	1	
9	915105	SCREW, HHC 3/8 - 16 X 1.0 GRD 8	3	
10	933242	WASHER, FLAT SAE 3/8 GRD 9 YZ	6	
11	37632	PLATFORM, W/A	1	
12	37693	STRIP, SLURRY CONTROL	1	
13	10133	NUT, NYLOC 3/8 - 16	3	
14	20982	SCREW, FHSC 3/8 - 16 X 1-1/2 PLATED	3	

WHEEL DRIVE ASSY.

WHEEL DRIVE ASSY.



- 1 HYDRAULIC WHEEL MOTOR.
SEE HYDRAULIC SYSTEM ASSY.
- 2 BRAKE CYLINDER.
SEE HYDRAULIC SYSTEM ASSY.

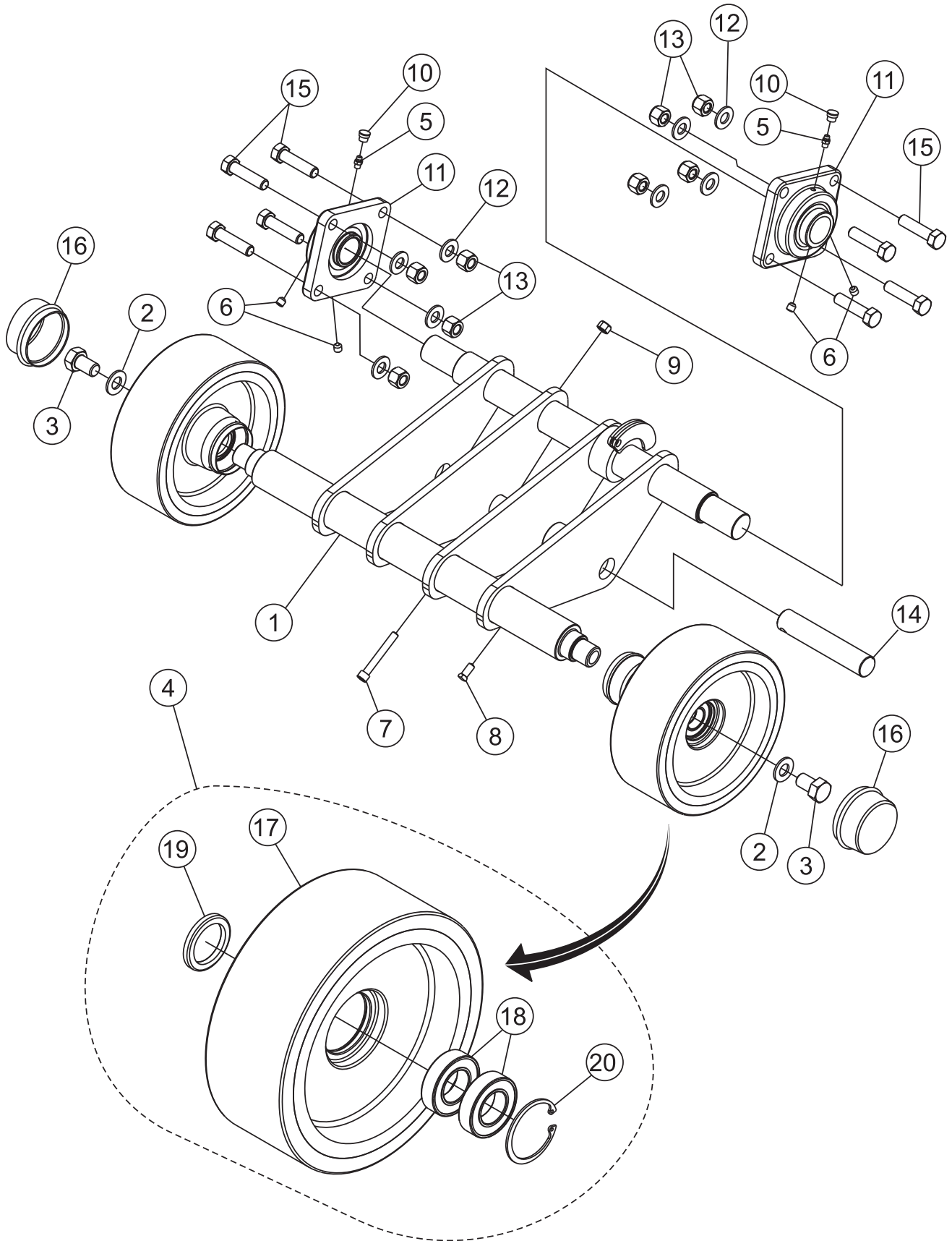
WHEEL DRIVE ASSY.

WHEEL DRIVE ASSY.

<u>NO.</u>	<u>PART NO.</u>	<u>PART NAME</u>	<u>QTY.</u>	<u>REMARKS</u>
1	37647	MOUNT, WHEEL MOTOR	1	
2	37095	WHEEL, 12 X 3 TAPERED BORE	2	
3	37044	BRAKE PAD	2	
4	37649	BRAKE PIVOT ROD	1	
5	37138	CAP, WHEEL DUST	2	
6	0655	SCREW, HHC 5/16 - 18 X 3/4	2	
7	0205	SCREW, HHC 3/8 - 16 X 1.0	8	
8	3214	SCREW, HHC 1/2 - 13 X 1-1/4	5	
9	933213	WASHER, FENDER 5/16 X 1 ZINC	2	
10	37048	SPRING, 1.125 X .187 X 4 W/EYELET	2	
11	23858-001	EYEBOLT, 3/8 - 16 X 2.0	2	
12	933242	WASHER, FLAT SAE 3/8 GRD 9 YZ	10	
13	933244	WASHER, FLAT SAE 1/2 GRD 9 YZ	7	
14	933247	WASHER, FLAT SAE 3/4 GRD 9 YZ	3	
15	10133	NUT, NYLOC 3/8 - 16	2	
16	968011	NUT, HEX FINISH 1/2 - 13	2	
17	19974	PIN, CLEVIS 1/2 X 1.25	3	
18	966166	PIN, CLEVIS 3/4 X 2	1	
19	965105	PIN, COTTER 5/32 X 1-1/2	1	
20	965103	PIN, COTTER 5/32 X 1	3	
21	37322	SPRING, CREST TO CREST	6	
22	1456	NUT, HEX FINISH 3/8 - 16	2	

FRONT AXLE ASSY.

FRONT AXLE ASSY.



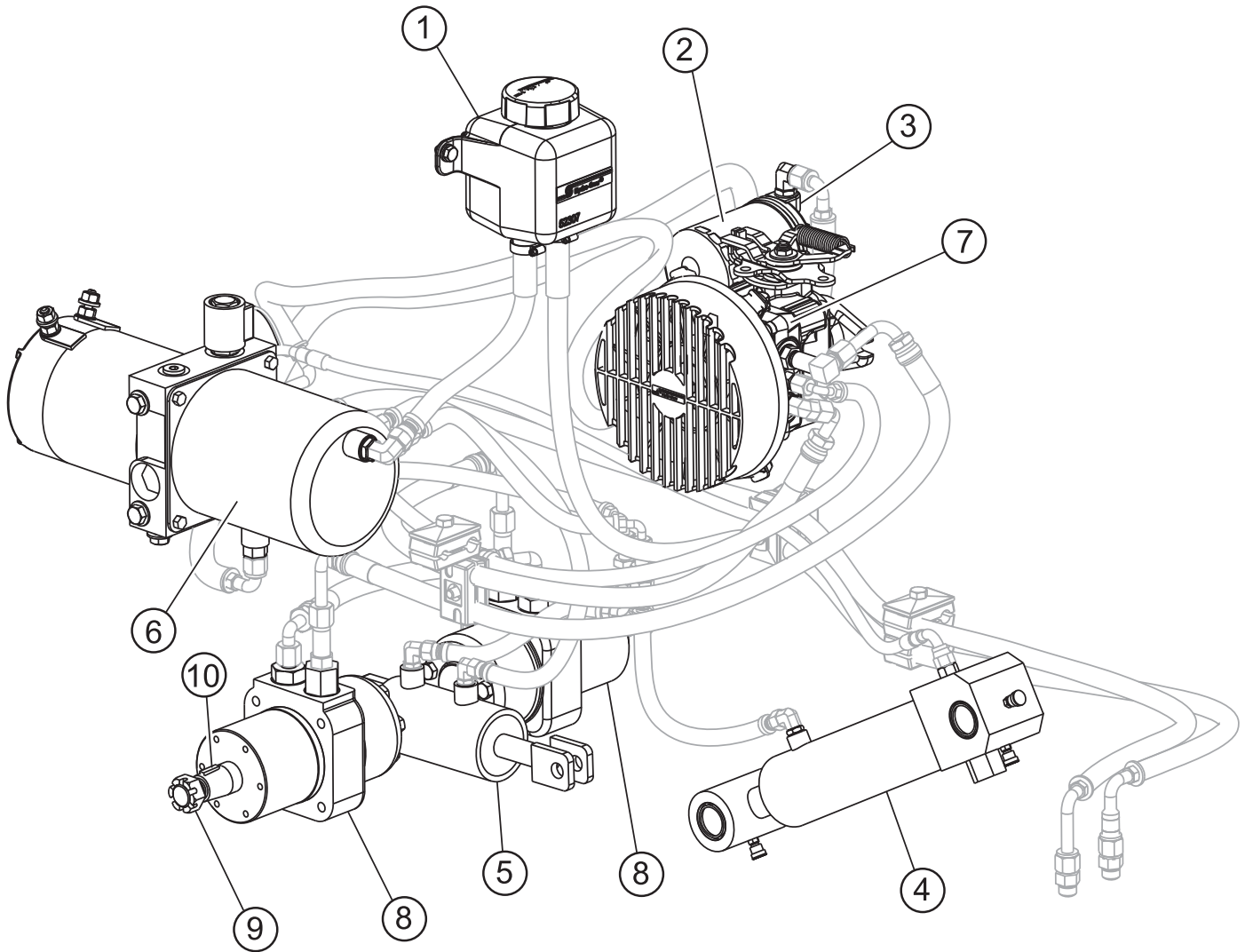
FRONT AXLE ASSY.

FRONT AXLE ASSY.

<u>NO.</u>	<u>PART NO.</u>	<u>PART NAME</u>	<u>QTY.</u>	<u>REMARKS</u>
1	37625	FRONT AXLE W/A	1	
2	933246	WASHER, FLAT 5/8 SAE GRD9 YZ	2	
3	06505-008	SCREW, HHC 5/8 - 11 X 1.00	2	
4	37132	WHEEL ASSEMBLY, FRONT	2	INCLUDES ITEMS W/ *
5	2621	FITTING, GREASE ZERK STR 1/4 - 28	2	
6	26091	SCREW, SHS 1/4 - 28 X 1/4 CUP POINT	4	
7	2186	SCREW, SHC 5/16 - 18 X 2-1/4 PLTD	1	
8	926064	SCREW, SQHS CUP POINT 5/16 - 24 X 5/8	1	
9	5283	NUT, NYLOC 5/16 - 18	1	
10	1162 A	CAP, GREASE ZERK #2 YELLOW	2	
11	37040	BEARING, 1.250" FLANGE	2	
12	933244	WASHER, FLAT SAE 1/2 - 13 GD 8	8	
13	16629	NUT, NYLOC 12 - 13 GD 8	8	
14	37260	PIN, LIFT CYLINDER	1	
15	915211	SCREW, HHC 1/2 - 13 X 2 GRD8 YZ	8	
16	37138	CAP, WHEEL DUST	2	
17,*	37131	WHEEL, 8 X 3 POLYURETHANE	2	
18,*	460002	BEARING, BALL KOYO # 6005 SRS	4	
19,*	485002	SEAL, OIL CR # 28655	2	
20,*	576003	SNAP RING, - HO-185	2	

HYDRAULIC SYSTEM ASSY.

HYDRAULIC SYSTEM ASSY.



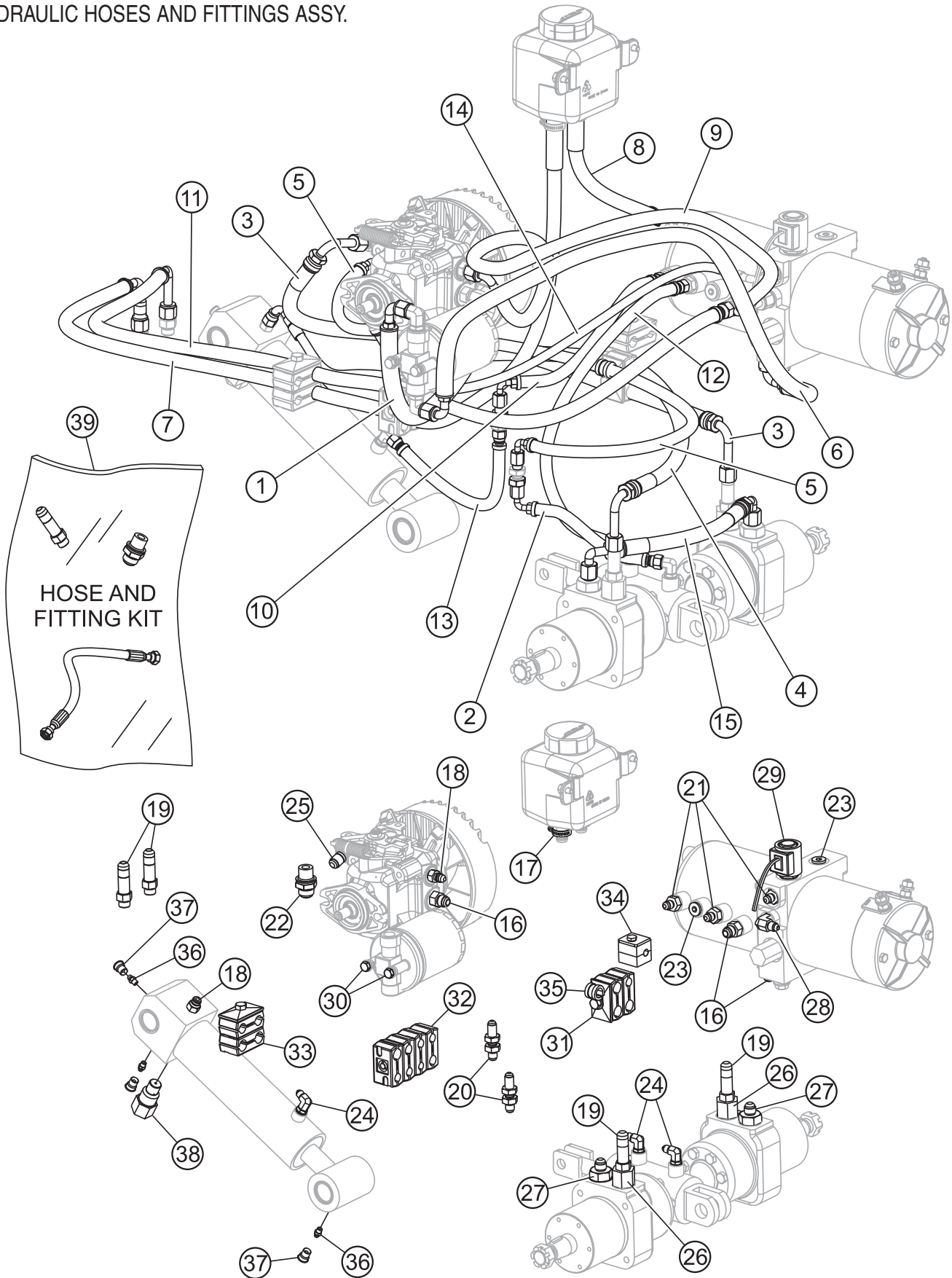
HYDRAULIC SYSTEM ASSY.

HYDRAULIC SYSTEM ASSY.

<u>NO.</u>	<u>PART NO.</u>	<u>PART NAME</u>	<u>QTY.</u>	<u>REMARKS</u>
1	37213	RESERVOIR, 350ML HYDROGEAR	1	
2	306006	FILTER	1	
3	25617	FILTER HEAD, (FILTER MOUNT)	1	
4	37121	LIFT CYLINDER ASSEMBLY	1	
5	37211	CYLINDER, BRAKE 2" X 1.5" STROKE	1	
6	37113	PUMP, 24V DC LIFT HYDROGEAR	1	
7	37104	PUMP, BDP-6 PC-BGCC-AA1Z-XXXX	1	
8	37056	MOTOR, WHEEL - HYDROGEAR HGM-15P-7131	2	
9	37923	NUT, 3/4 - 20 HEX SLOTTED	2	
10	0126	KEY, WOODRUFF #606 3/16 X 3/4	2	

HYDRAULIC HOSES AND FITTINGS ASSY.

HYDRAULIC HOSES AND FITTINGS ASSY.



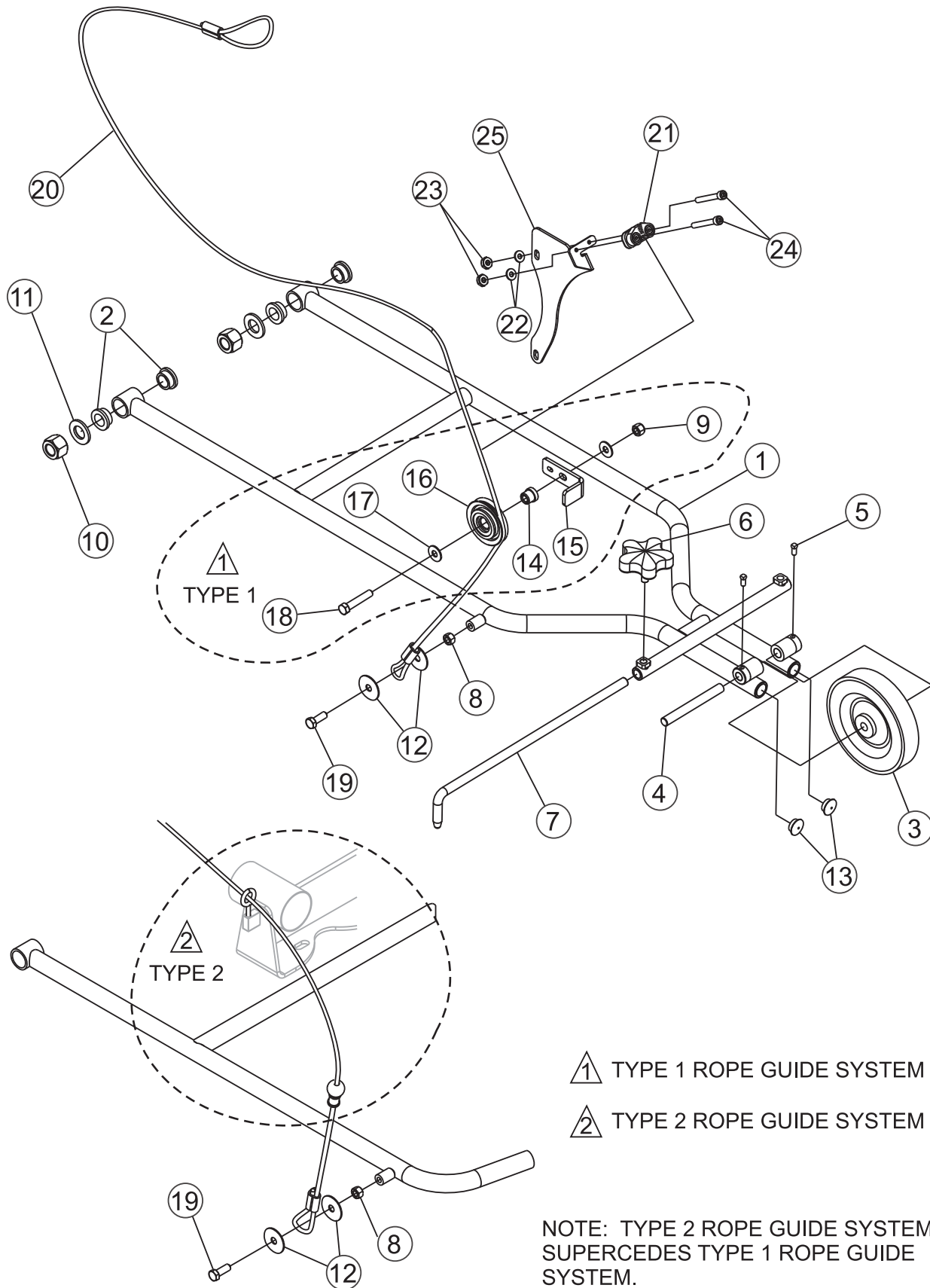
HYDRAULIC HOSES AND FITTINGS ASSY.

HYDRAULIC HOSES AND FITTINGS ASSY.

<u>NO.</u>	<u>PART NO.</u>	<u>PART NAME</u>	<u>QTY.</u>	<u>REMARKS</u>
1	37282	HOSE ASSY., #6 LP	1	
2	37695	HOSE ASSY., #4 LP"	1	
3	37696	HOSE ASSY., #6 PARFLEX	1	
4	37697	HOSE ASSY., #6 PARFLEX	1	
5	37698	HOSE ASSY., #4 LP	1	
6	37700	HOSE ASSY., #6 LP	1	
7	37701	HOSE ASSY., #6-8 LP	1	
8	37702	HOSE ASSY., #6-8 LP	1	
9	37704	HOSE ASSY., #6 LP	1	
10	37705	HOSE ASSY., #4 LP	1	
11	37708	HOSE ASSY., #6 LP	1	
12	37709	HOSE ASSY., #4 LP	1	
13	37710	HOSE ASSY., #4 LP	1	
14	37711	HOSE ASSY., #4 HP PARFLEX	1	
15	37712	HOSE ASSY., DRIVE MOTOR CROSSOVER	1	
16	11721	FITTING, STR 6MJ - 6MO	3	
17	15538	CLAMP, HOSE WORM #6, 7/16" TO 7/8"	2	
18	21095	FITTING, STR 4MJ - 4MO	2	
19	21115	FITTING, STR 6MJ - 6MO LONG	4	
20	366437	FITTING, BULKHEAD #4 JIC	2	
21	367470	FITTING, STR 4MJ - 6MO	3	
22	367681	FITTING, STR MJ - M18MO	1	
23	368699	PLUG, 6MO HEX SKT HD	2	
24	368817	FITTING, 90 4MJ - 4MO	3	
25	37400	FITTING, 6MJ X 6MO - 90LL	1	
26	37405	FITTING, 10MO X - 6FO - ST	2	
27	37406	FITTING, 6MJ X 10MO - ST	2	
28	37407	FITTING, 4MJ X 6MO - 90	1	
29	37825	COIL, LIFT PUMP VALVE CARTRIDGE	1	
30	1579	SCREW, HHC 1/4 - 20 X .5	2	
31	37432	CLAMP ASSEMBLY, HOSE	1	
32	37431	CLAMP ASSEMBLY, HOSE	1	
33	37433	CLAMP ASSEMBLY, HOSE	1	
34	37352	CLAMP ASSEMBLY, 5/16 HOSE	1	
35	35022	CLAMP, LOOP CUSHIONED #8	1	
36	2621	FITTING, GREASE ZERK STR 1/4 - 28	3	
37	1162 A	CAP, GREASE ZERK #2	3	
38	37110	VEL. FUSE VALVE, 7/8 DELTA SER. DE-CVF-00	1	
39	37718	HOSE AND FITTING KIT 4030	1	

FRONT POINTER ASSY.

FRONT POINTER ASSY.



▲ TYPE 1 ROPE GUIDE SYSTEM

▲ TYPE 2 ROPE GUIDE SYSTEM

NOTE: TYPE 2 ROPE GUIDE SYSTEM
SUPERCEDES TYPE 1 ROPE GUIDE
SYSTEM.

FRONT POINTER ASSY.

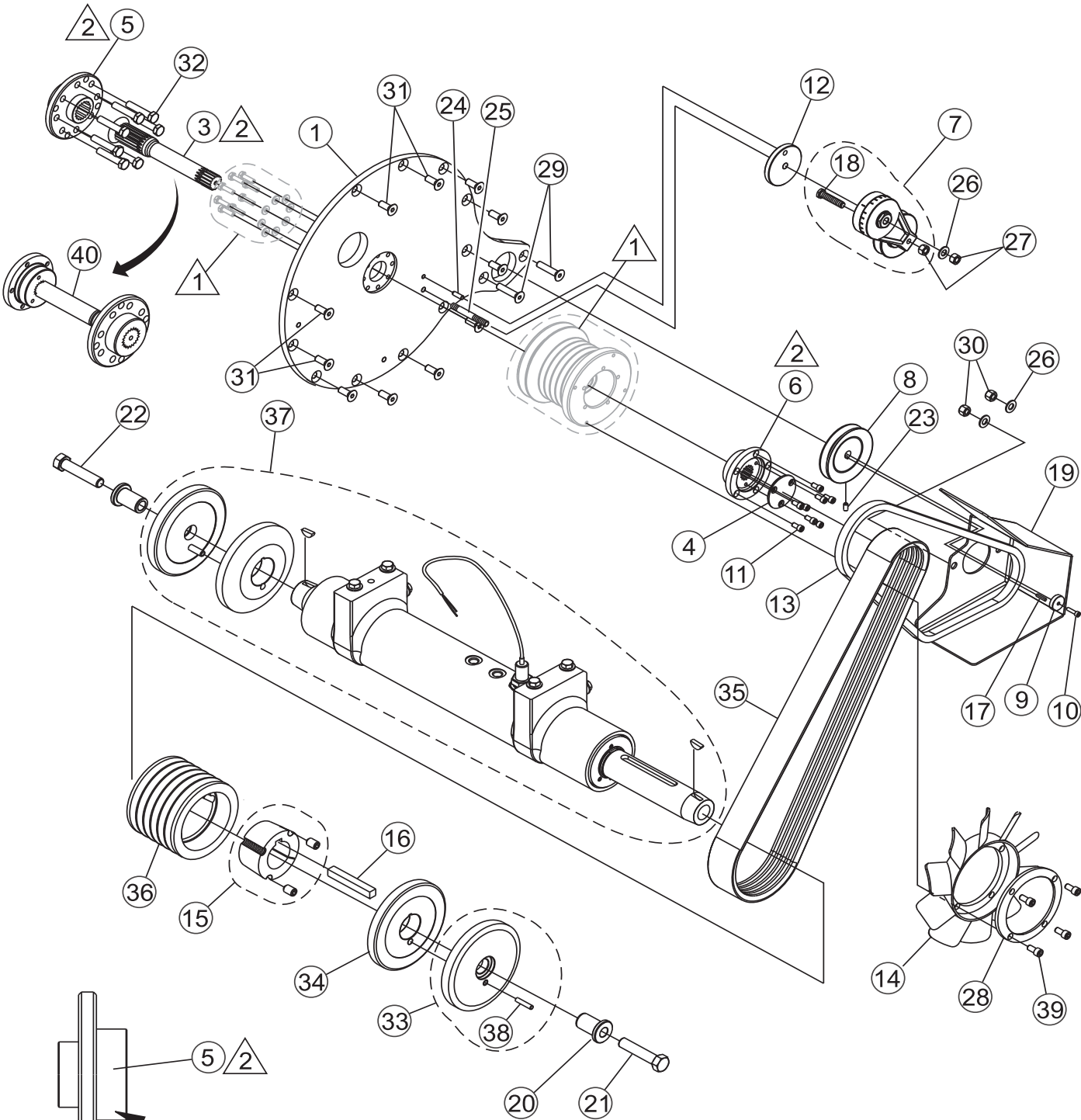
FRONT POINTER ASSY.

<u>NO.</u>	<u>PART NO.</u>	<u>PART NAME</u>	<u>QTY.</u>	<u>REMARKS</u>
1	37651	POINTER	1	
2	582008	BUSHING, FLANGE 1.0 OD X .75 ID	4	
3	500005	WHEEL, POINTER 6" X 1"	1	
4	37178	AXLE, POINTER WHEEL	1	
5	926006	SCREW, SQHS CP 1/4 - 20 X1/2	2	
6	15503	KNOB, COMFORT GRIP STAR	1	
7	110038	SAW POINTER 15" RH FRONT	1	
8	1456	NUT, HEX FINISH 3/8 - 16	1	
9	10133	NUT, NYLOC 3/8 - 16	1	SEE NOTE BELOW
10	5070 B	NUT, NYLOC 3/4 - 10	2	
11	933247	WASHER, FLAT SAE 3/4 GRD 9 YZ	2	
12	3233	WASHER, FENDER 1.50 OD X 3/8 ID	2	
13	37261	PLUG, FINISHING 3/4"	2	
14	544002	SHOULDER, ADAPTER	1	SEE NOTE BELOW
15	125043-3	RETAINER, SAW POINTER CABLE	1	SEE NOTE BELOW
16	540039	PULLEY, POINTER ROPE	1	SEE NOTE BELOW
17	10136	WASHER, FLAT SAE 3/8	2	SEE NOTE BELOW
18	1665	SCREW, HHC 3/8 - 16 X 2	1	SEE NOTE BELOW
19	0205	SCREW, HHC 3/8 - 16 X 1.0	1	
20	574003	ROPE, POINTER ASSY.	1	INCLUDES BALL & CRIMP
21	574002	CAM CLEAT	1	
22	15173	WASHER, FLAT #8	2	
23	13287	NUT, NYLOC 8 - 32	2	
24	923199	SCREW, SHC 8 - 32 X 1-1/4	2	
25	37652	MOUNT, 4030 CAM CLEAT	1	

NOTE: THESE PARTS ARE USED ONLY ON "TYPE 1"
ROPE GUIDE SYSTEMS SHOWN IN ILLUSTRATION.

BELT DRIVE ASSY.

BELT DRIVE ASSY.



SCALE 1:3

NOTE: THIS SIDE TOWARD FLYWHEEL

1 SEE DRIVE PULLEY ASSY.

2 ITEMS 3, 5, 6 INCLUDED WITH ITEM 40, SPLINED DRIVE ASSY, P/N 37834

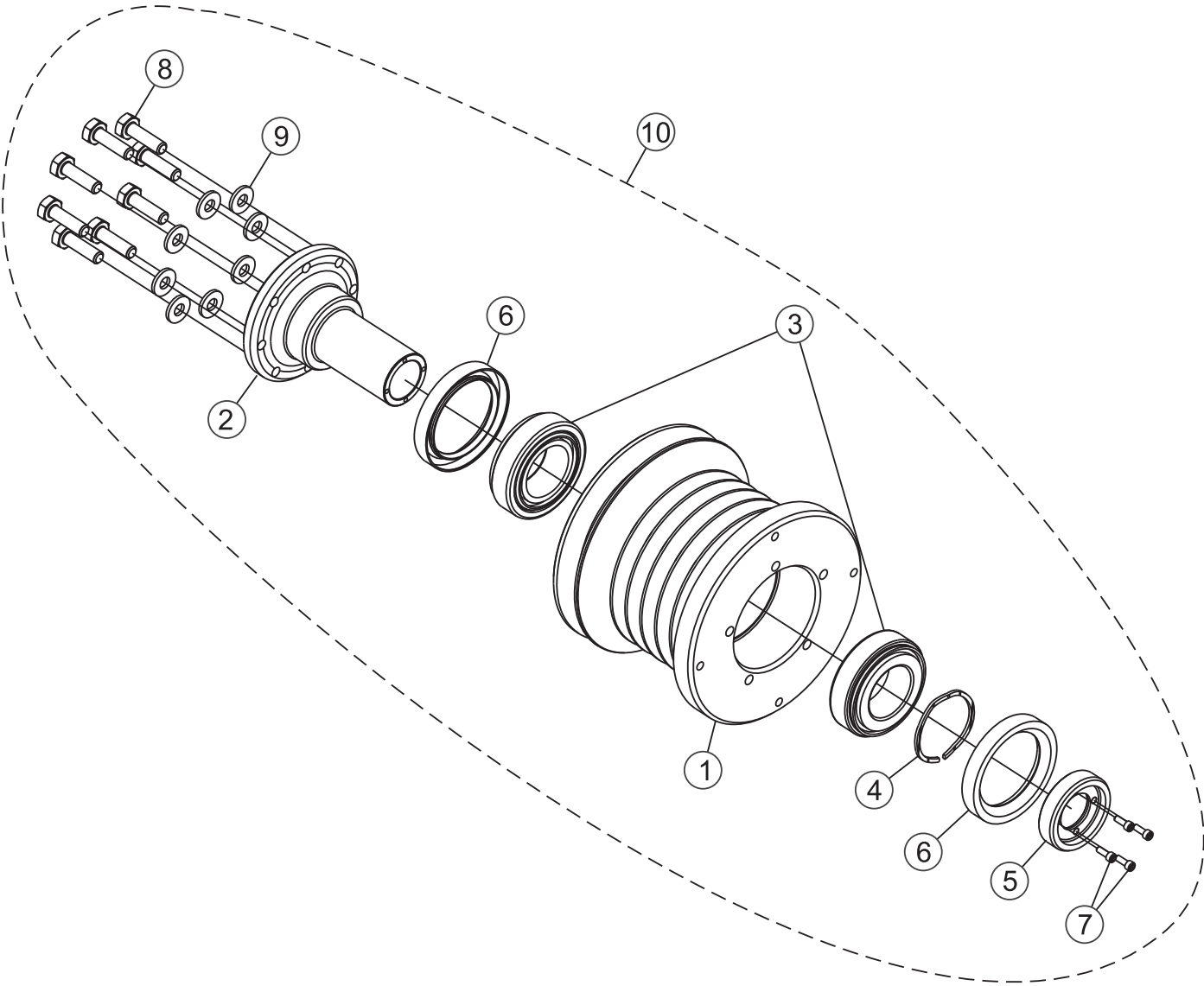
BELT DRIVE ASSY.

BELT DRIVE ASSY.

<u>NO.</u>	<u>PART NO.</u>	<u>PART NAME</u>	<u>QTY.</u>	<u>REMARKS</u>
1	37001	PLATE, ENGINE ADAPTER-DEUTZ	1	
3#		SHAFT, 4030 ENGINE DRIVE-DEUTZ	1	
4	37571	PLATE, PULLEY DRIVE COVER	1	
5#		FLANGE, ENGINE DRIVE-DEUTZ	1	
6#		FLANGE, 4030 ENGINE DRIVE PULLEY-DEUTZ	1	
7	37137	BELT TENSIONER ASSY.	1	INCLUDES ITEMS W/*
8	37002	PULLEY, PUMP DRIVE 3.75" A-SECTION	1	
9	37319	WASHER, THRUST 1.00 OD X .265 L X .265 H	1	
10	37320	SCREW, SHC 10-32 X 3/4	1	
11	923201	SCREW, SHC 1/4 - 20 X 1/2	8	
12	37267	SPACER, BELT TENSIONER	1	
13	21004-003	BELT, AX-35	1	
14	37734	FAN, CW 8" 10 BLADE	1	
15	582020	BUSHING, TAPER-LOCK 1615 X 1-1/5	1	FITS 16", 26"
15	460030	BUSHING, TAPER-LOCK	1	FITS 20"
15	582019	BUSHING, TAPER-LOCK	1	FITS 30"
16	10057-061	KEY, 1/2" SQ X 3-1/2"	1	
17	37269	KEY, SQUARE 1/8 X 3/4	1	
18*	37266	SCREW, MODIFIED HEAD 3/8 X 1-3/4	1	
19	37576	GUARD, PUMP DRIVE	1	SAFETY ITEM
20	582012	BUSHING, QUICK DISCONNECT BLADE SHAFT	2	
21	915315	SCREW, HHC 5/8 - 11 X 3 GR8	1	
22	915316	SCREW, HHC 5/8 - 11 X 3 LH GR8	1	
23	10138	SCREW, SHS 1/4 - 20 X 1/2 NP	1	
24	926919	PIN, DOWEL 1/4 X 3/4	1	
25	37268	STUD, 3/8 - 16 X 3 SELF-LOCKING	1	
26	933242	WASHER, FLAT SAE 3/8 GRD 9YZ	5	
27	1456	NUT, HEX FINISH 3/8 - 16	4	
28	37735	RING, FAN MOUNT	1	
29	924289	SCREW, FHSC 3/8 - 16 X 1-3/4	2	
30	10133	NUT, NYLOC 3/8 - 16	2	
31	939978	SCREW, FHSC M10 - 1.5 X 25MM NP	11	
32	938422	SCREW, HHC M10 - 1.0 X 50MM 10.9 NP	8	
33	37685	FLANGE ASSY, 4.375" OUTER BLADE	2	16", 20", 26", 30" BELT DRIVE INCLUDES ITEMS W/%
33	37169	FLANGE ASSY, 5.0" OUTER BLADE	2	FITS 30", BELT DRIVE INCLUDES ITEMS W/%
34	37675	FLANGE ASSY, 4.375" INNER BLADE	2	FITS 16", 20", 26" BELT DRIVE
34	37676	FLANGE ASSY, 5.0" INNER BLADE	2	FITS 30", BELT DRIVE
35	37577	BELT, 6G 3 VX 500 OPTIBELT	1	
36	37574	PULLEY, 3.6 6G 3V 1615 TAPER	1	FITS 16" BELT DRIVE
36	540065	PULLEY, 4.2 6G 3V 2012 TAPER	1	FITS 20" BELT DRIVE
36	540049	PULLEY, 4.4 6G 3V 1615 TAPER	1	FITS 26" BELT DRIVE
36	37575	PULLEY, 4.75 10G 3V X 2017 TAPER	1	FITS 30" BELT DRIVE
37	37671	BLADE SHAFT ASSEMBLY 4030	1	
38	926790	PIN, DOWEL 3/8 X 1-3/4	2	
39	25992	SCREW, SHC 12 - 24 X 1/2	4	
40	37834	SPLINED DRIVE ASSY	1	INCLUDES ITEMS W/#

DRIVE PULLEY ASSY.

DRIVE PULLEY ASSY.



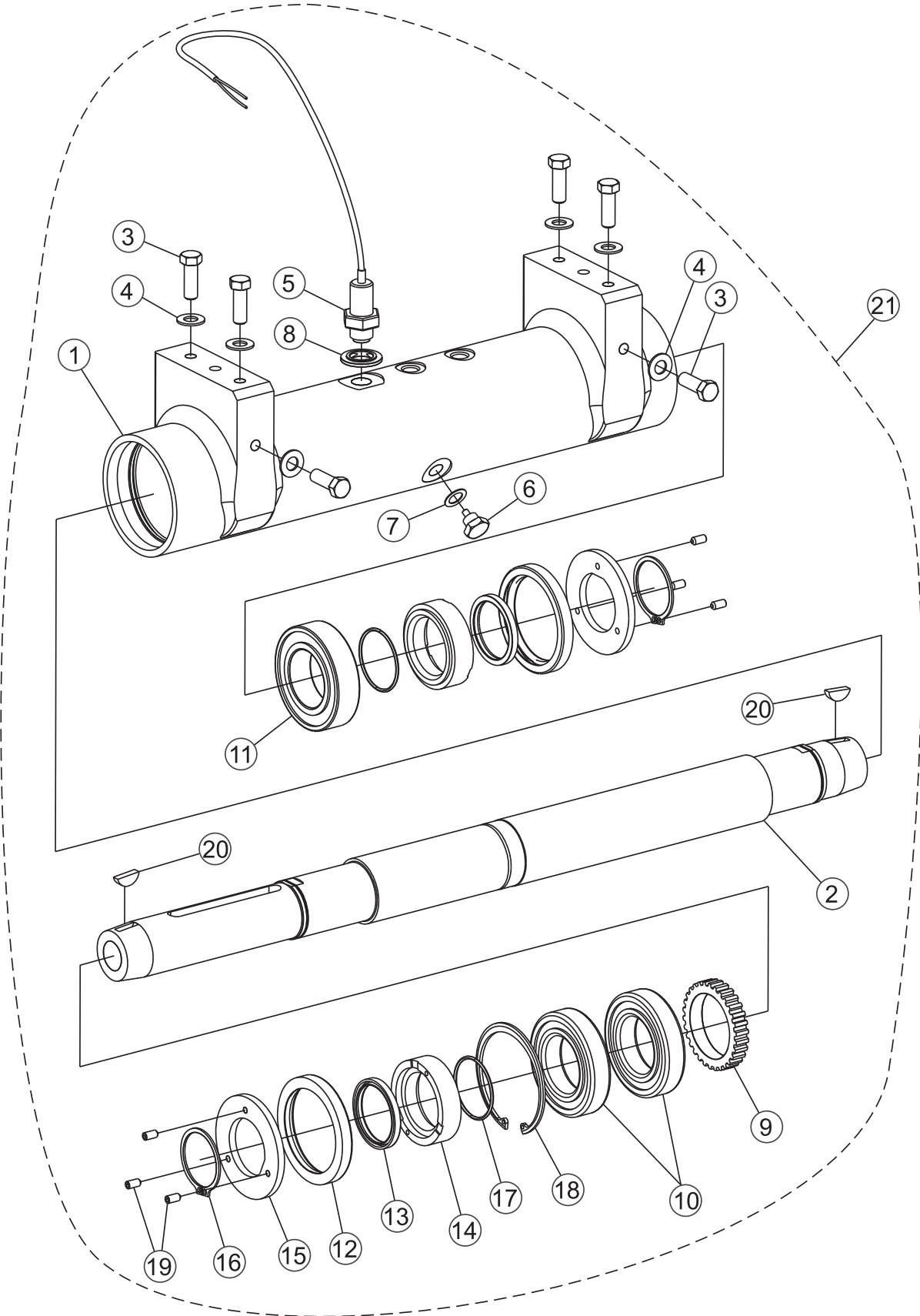
DRIVE PULLEY ASSY.

DRIVE PULLEY ASSY.

<u>NO.</u>	<u>PART NO.</u>	<u>PART NAME</u>	<u>QTY.</u>	<u>REMARKS</u>
1*	37566	PULLEY, 3.03 6 3V 4.5 1A	1	FITS 26", 30", BELT DRIVE
1#	37570	PULLEY, 3.7 6 3V 4.5 1A	1	FITS 16", 20" BELT DRIVE
2*#	37567	SUPPORT, 4030 BEARING	1	
3*#	35314	BEARING, TAPERED ROLLER NSK #320/28XJ	2	
4*#	35315	SPRING, WAVO SMALLEY RW-0150	1	
5*#	37568	FLANGE, 4030 BEARING SUPPORT DRIVE	1	
6*#	35318	SEAL, CR 15821	2	
7*#	37035	SCREW, SHC 4-40 X 3/8	4	
8*#	915004	SCREW, HHC 1/4 - 20 X 7/8 GR8 YZ	8	
9*#	933240	WASHER, FLAT SAE 1/4 GRD 9 YZ	8	
10	37565	DRIVE PULLEY ASSY., 3.03 6 3V 4.5 1A	1	FITS 26", 30", BELT DRIVE INCLUDES ITEMS W/*
10	37569	DRIVE PULLEY ASSY., 3.7 6 3V 4.5 1A	1	FITS 16", 20" BELT DRIVE INCLUDES ITEMS W/#

BLADE SHAFT ASSY.

BLADE SHAFT ASSY.



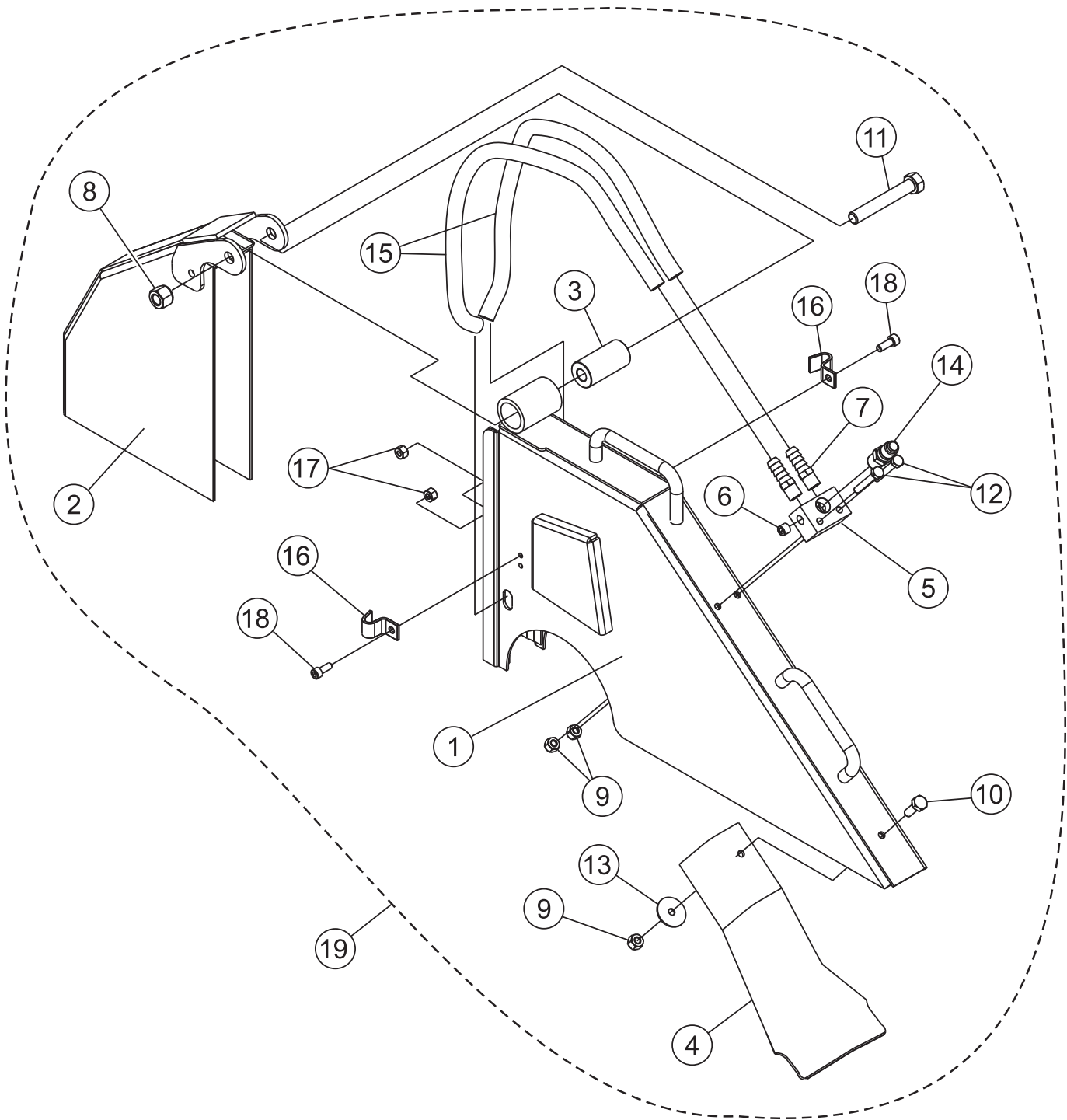
BLADE SHAFT ASSY.

BLADE SHAFT ASSY.

<u>NO.</u>	<u>PART NO.</u>	<u>PART NAME</u>	<u>QTY.</u>	<u>REMARKS</u>
1*	37672	HOUSING, 4030 BLADESHAFT	1	
2*	37673	BLADESHAFT, 4000 SERIES	1	
3*	06502-010	SCREW, HHC 7/16 - 14 X 1-1/4	6	
4*	933243	WASHER FLAT SAE 7/16 GRD 9 YZ	6	
5*	421001	SENSOR, HALL EFFECT SPEED PICKUP	1	
6*	583026	DRAIN PLUG, MAGNETIC 1/2 - 20	1	
7*	577009	GASKET, DRAIN PLUG	1	
8*	25695	WASHER, SEAL 3/4"	1	
9*	25690	GEAR, SAW BLADE SHAFT SPEED PICKUP	1	
10*	460010	BEARING, ROLLER KOYO # 7210BGC3	2	
11*	39460011	BEARING, BALL KOYO # NU2210RC3	1	
12*	480006	SEAL, OIL CR# 28655	2	
13*	480007	SEAL, OIL CR- 19599	2	
14*	485003	SLEEVE, BLADE SHAFT SEAL	2	
15*	486001	WASHER, THRUST 6000 SERIES	2	
16*	576006	SNAP RING, VITON # AS-135	2	
17*	578135	O-RING, VITON # AS-135	2	
18*	576007	SNAP RING, VHO-354	1	
19*	925382	SCREW, KP SHS 1/4 - 20 X 1/2	6	
20*	969314	KEY, WOODRUFF 3/16 X 5/8	2	
21	37671	BLADESHAFT ASSEMBLY 4030	1	INCLUDES ITEMS W/*

16", 20", 26" BLADE GUARD ASSY.

16", 20", 26" BLADE GUARD ASSY.



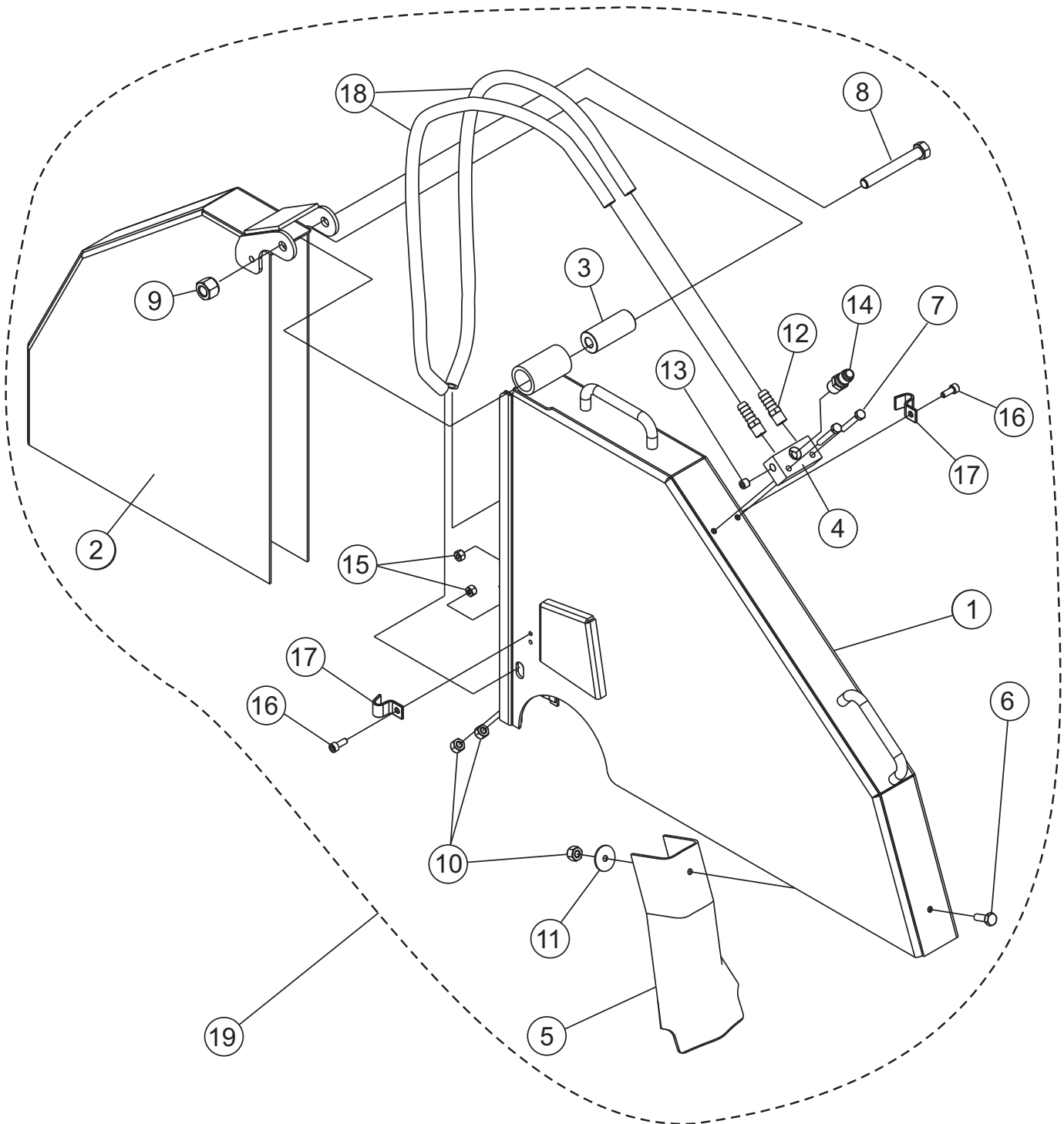
16", 20", 26" BLADE GUARD ASSY.

16", 20", 26" BLADE GUARD ASSY.

<u>NO.</u>	<u>PART NO.</u>	<u>PART NAME</u>	<u>QTY.</u>	<u>REMARKS</u>
1@	200004	BLADEGUARD W/A, 16" REAR HALF	1	
1#	200008	BLADEGUARD W/A, 20" REAR HALF	1	
1\$	200010	BLADEGUARD W/A, 26" REAR HALF	1	
2@	200003	BLADEGUARD W/A, 16" FRONT HALF	1	
2#	200007	BLADEGUARD W/A, 20" FRONT HALF	1	
2\$	200009	BLADEGUARD W/A, 26" FRONT HALF	1	
3@#\$	582040	BUSHING, BLADEGUARD HINGE DELRIN	1	
4@#\$	200019	FLAP, MUD BLADEGUARD	1	SAFETY ITEM
5@#\$	37394	MANIFOLD, WATER SMALL	1	
6@#\$	2113	FITTING, PLUG 1/8MP HEX SKT HD	1	
7@#\$	370456	FITTING, BRASS 6BARB-1/4MP	2	
8@#\$	10176	NUT, NYLOC 1/2-13	1	
9@#\$	10024	NUT, NYLOC 1/4-20	3	
10@#\$	0131 A	SCREW, HHC 1/4 - 20 X 3/4	1	
11@#\$	06503-026	SCREW, HHC 1/2 - 13 X 3-1/4	1	
12@#\$	26250	SCREW, HHC 1/4 - 20 X 1-3/4	2	
13@#\$	10930	WASHER, FENDER 1/4 X 1-1/4	1	
14@#\$	37396	3/8" QC MALE	1	
15@#	37506	HOSE, WATER #6 LP, 16", 20" BLADEGUARD	2	
15\$	37508	HOSE, WATER #6 LP, 26" BLADEGUARD	2	
16@#\$	22129-001	PIPE STRAP 3/8	2	
17@#\$	1618	NUT, NYLOC 10-24	2	
18@#\$	923144	SCREW, SHC 10-24 X 1/2	2	
19	BG1600	GUARD, 16" STREETPRO 3/6/7 STD FLANGE	1	SAFETY ITEM INCLUDES ITEMS W/@ CONTACT MQ UNIT SALES
19	BG2000	GUARD, 20" STREETPRO 3/6/7 STD FLANGE	1	SAFETY ITEM INCLUDES ITEMS W/# CONTACT MQ UNIT SALES
19	BG2600	GUARD, 26" STREETPRO 3/6/7 STD FLANGE	1	SAFETY ITEM INCLUDES ITEMS W/\$ CONTACT MQ UNIT SALES

30" BLADE GUARD ASSY.

30" BLADE GUARD ASSY.



30" BLADE GUARD ASSY.

30" BLADE GUARD ASSY.

<u>NO.</u>	<u>PART NO.</u>	<u>PART NAME</u>	<u>QTY.</u>	<u>REMARKS</u>
1#	200012	BLADEGUARD W/A, 30" REAR HALF	1	
2#	200011	BLADEGUARD W/A, 30" FRONT HALF	1	
3#	582039	BUSHING, BLADEGUARD HINGE DELRIN	1	
4#	37395	MANIFOLD, WATER LARGE	1	
5#	200019	FLAP, MUD BLADEGUARD	1	SAFETY ITEM
6#	0131 A	SCREW, HHC 1/4 - 20 X 3/4	1	
7#	26250	SCREW, HHC 1/4 - 20 X 1-3/4	2	
8#	06503-030	SCREW, HHC 1/2 - 13 X 3-3/4	1	
9#	10176	NUT, NYLOC 1/2-13	1	
10#	10024	NUT, NYLOC 1/4-20	3	
11#	10930	WASHER, FENDER 1/4 X 1-1/4	1	
12#	370456	FITTING, BRASS 6BARB-1/4MP	2	
13#	2113	FITTING, PLUG 1/8MP HEX SKT HD	1	
14#	37396	3/8" QC MALE	1	
15#	1618	NUT, NYLOC 10-24	2	
16#	923144	SCREW, SHC 10-24 X 1/2	2	
17#	22129-001	PIPE STRAP 3/8	2	
18#	37509	HOSE, WATER #6 LP, 30" BLADEGUARD	2	
19	37338	BLADEGUARD ASSY., 30" STD SYS	1	SAFETY ITEM
			INCLUDES ITEMS W/#