

PARTS AND OPERATION MANUAL

STOW

A DIVISION OF MULTIQUIP INC.

PORTO MIX MINI CONCRETE MIXER PLASTIC DRUM MODELS SMC3PE AND SMC3PB

Revision #0 (08/08/03)

STOW PORTO MIXER — SUGGESTED SPARE PARTS

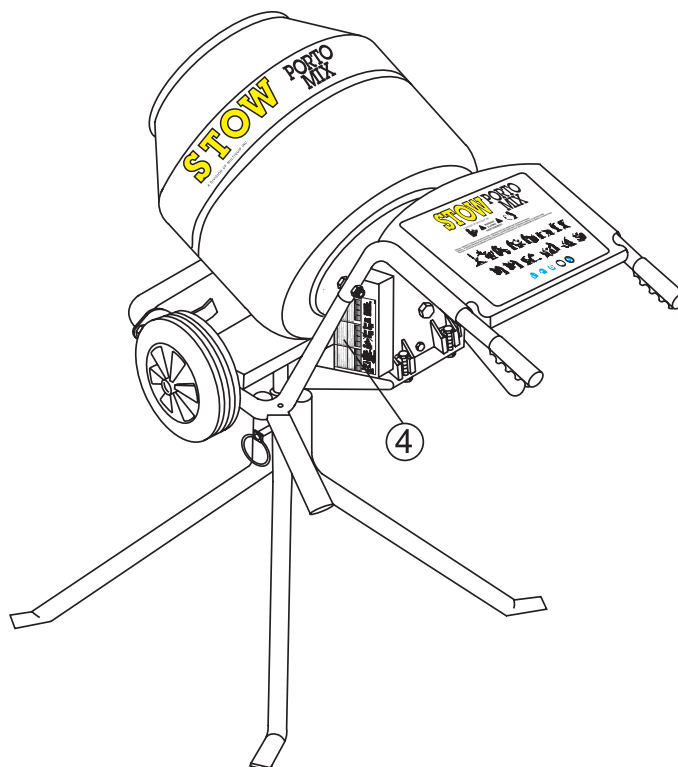
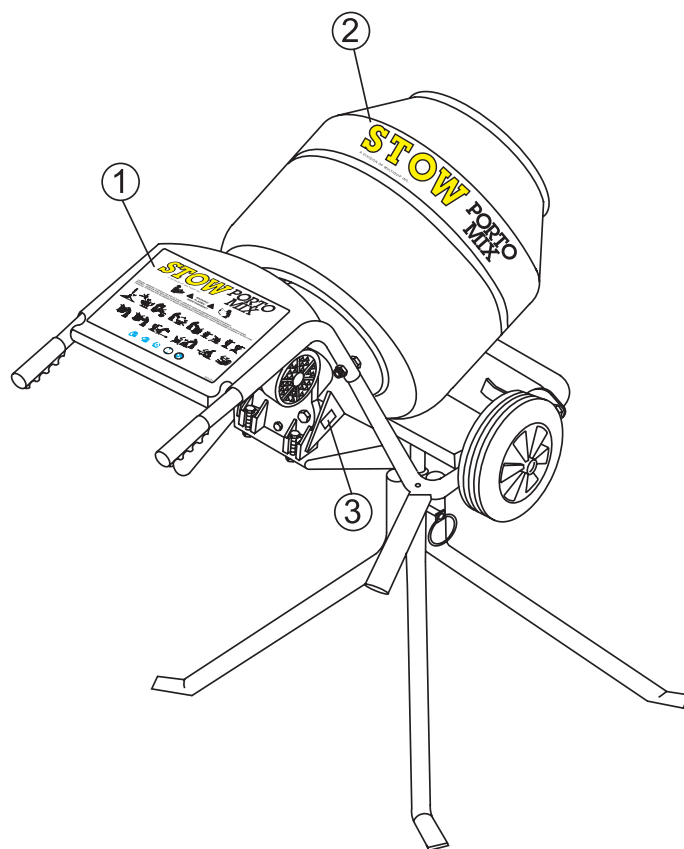
STOW PORTO MIXER 1 TO 3 UNITS

1 to 3 Units

Qty.	P/N	Description
2	DM1840	V-BELT, A23 (ELECTRIC MOTOR)
2	MS-01	V-BELT, A24 (GASOLINE)

STOW PORTO MIXER — NAME PLATE AND DECALS

NAME PLATE AND DECALS



STOW PORTO MIXER — NAME PLATE AND DECALS

NAME PLATE AND DECALS

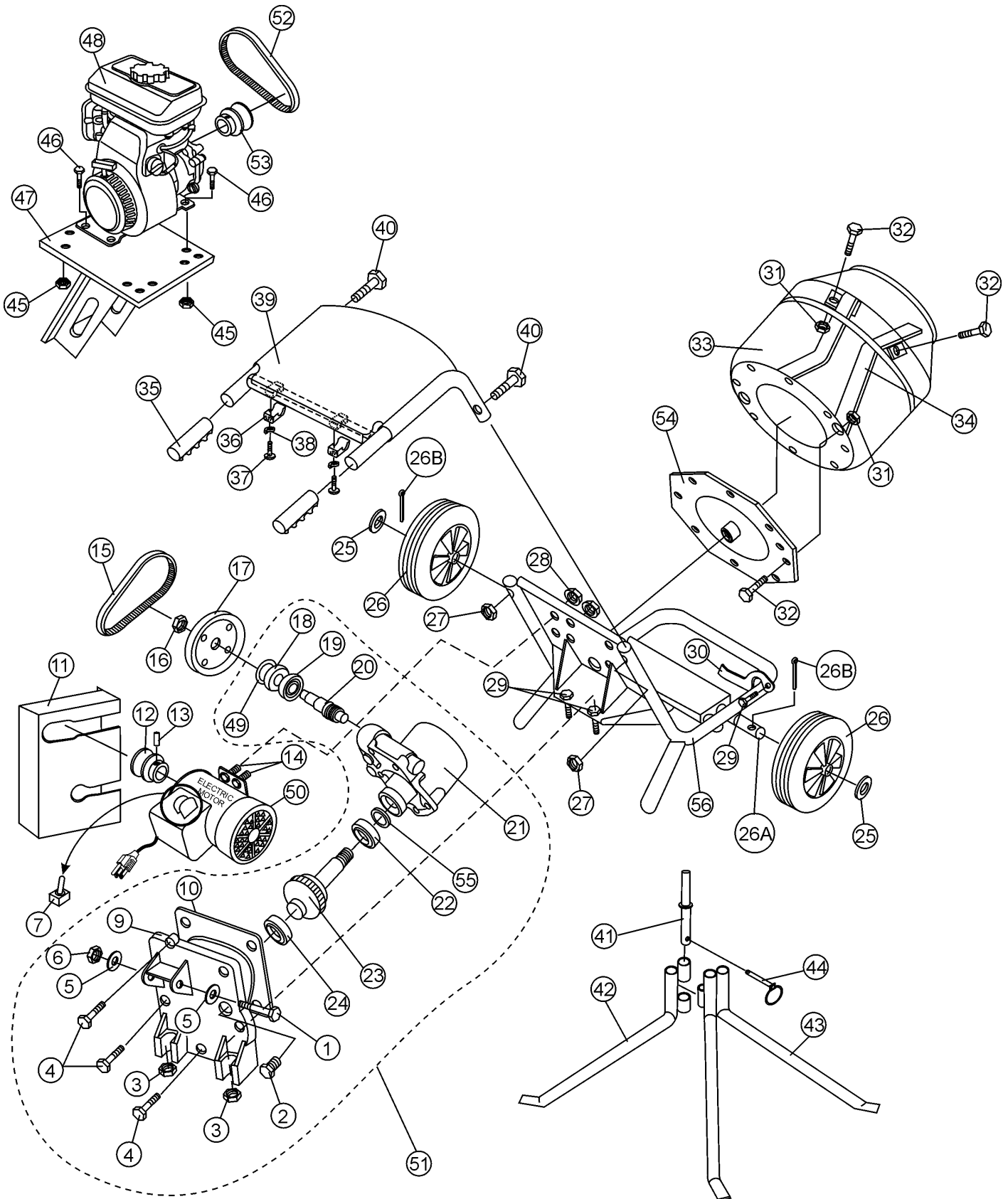
NAMEPLATE AND DECALS.

<u>NO</u>	<u>PART NO</u>	<u>PART NAME</u>	<u>QTY.</u>	<u>REMARKS</u>
1	DCL300	DECAL: WARNING STOW	1	
2		DECAL: STOW PORTO MIX	1	INCLUDED WITH TUB
3		DECAL: NAMEPLATE	1	CONTACT MQ PARTS DEPT.
4	DCL250	DECAL: WARNING MAINTENANCE	1	

SEE DECAL ILLUSTRATIONS ON PAGES 11 AND 12.

STOW PORTO MIXER — MIXER ASSY. (PLASTIC DRUM)

MIXER ASSY. (PLASTIC DRUM)



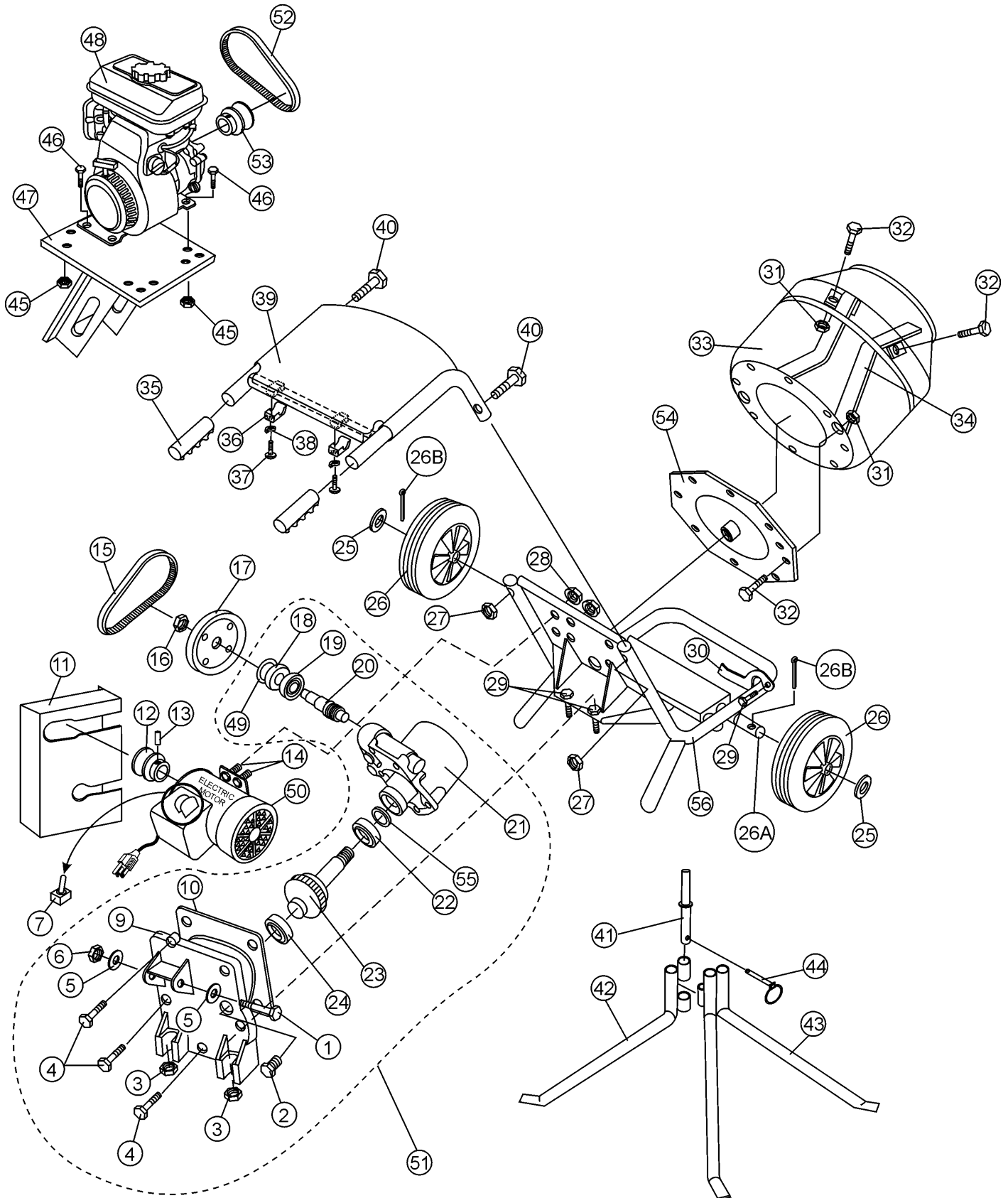
STOW PORTO MIXER — MIXER ASSY. (PLASTIC DRUM)

MIXER ASSY. (PLASTIC DRUM)

<u>NO.</u>	<u>PART NO.</u>	<u>PART NAME</u>	<u>QTY.</u>	<u>REMARKS</u>
1#	DM3150	HEX HEAD BOLT M12 x 70	1	
2#	DM1356	OIL FILLER PLUG M14 x 2 x 15L	1	
3#	DM1912	HEX NUT M10	2	
4#	DM355	HEX HEAD BOLT M8 x P1.25 x 24L	3	
5#	DM3151	FLAT WASHER M12	2	
6#	DM3152	HEX NUT M12	1	
7	SP9012	TOGGLE SWITCH	1	
9#	DM1320	GEAR BOX BACK COVER	1	
10#	DM1357	GEAR BOX SEAL		
11	DM1380	BELT GUARD	1	
12	DM1821	DRIVE PULLEY	1	ELECTRIC MOTOR ONLY
13	DM1822	SET SCREW M6 x 12L	1	
14	DM2020	BOLT M6 x 18	2	
15	DM1840	V-BELT, A23	1	ELECTRIC MOTOR ONLY
16	DM1332	NUT M12	1	
17	DM1810	GEARBOX PULLEY	1	
18#	DM1353	OIL SEAL 20 x 42.5 x 10	1	
19#	DM1352	BEARING RACE 6004	1	
20#	DM1331	WORM GEAR	1	
21#	DM1310	GEARBOX CASE	1	
22#	DM1351	BEARING RACE 6006	1	
23#	DM1333	GEAR & SHAFT	1	
24	DM1351	BEARING RACE 6006	1	
25	DM1741	WASHER	2	
26	DM1730	WHEEL, PNEUMATIC	2	
26A	DM1740	AXLE	1	
26B	DM1742	COTTER PIN	2	
27	DM1641	HEX NUT M8	2	
28	DM2021	NUT	2	
29	DM1911	HEX HEAD BOLT M10 x P1.5 x 40L	3	
30	DM1141	DRUM LOCK	1	

STOW PORTO MIXER — MIXER ASSY. (PLASTIC DRUM)

MIXER ASSY. (PLASTIC DRUM)



STOW PORTO MIXER — MIXER ASSY. (PLASTIC DRUM)

MIXER ASSY. (PLASTIC DRUM)

<u>NO.</u>	<u>PART NO.</u>	<u>PART NAME</u>	<u>QTY.</u>	<u>REMARKS</u>
31	DM1527	HEX NUT M10	12	
32	DM1524	BOLT	12	
33	DM1510	PLASTIC BARREL	1	
34	DM1531	BLADE, BARREL	2	
35	DM1613	HANDLE GRIP, RUBBER	2	
36	DM1630	TOP COVER CLAMP	2	
37	DM1631	SCREW 5.5 x 25	2	
38	DM1632	LOCK WASHER	2	
39	DM1620	TOP COVER, PLASTIC	1	
40	DM1640	BOLT M8 SPECIAL DOME HEAD	2	
41	DM1221	STAND, ADAPTER	1	
42	DM1212	STAND, BOTTOM LH (2 BOSS)	1	
43	DM1213	STAND, BOTTOM RH (1 BOSS)	1	
44	DM1231	CLIP LINCH PIN	1	
45	DM3050	NUT M8BOLT M8 x 35	4	
46	DM3051	BOLT M8 x 35	4	
47	DM3000	ENGINE MOUNT (GASOLINE)	1	
48	912321040E1	ENGINE, 3.5 HP BRIGGS & STRATTON	1	
49#	DM1358	RETAINER RING	1	
50	34579	MOTOR, ELECTRIC 3/4 H.P.	1	
51	DM1300	GEARBOX ASSEMBLY	1	INCLUDES ITEMS/#
52	MS01	V-BELT, A24	1	GASOLINE ENGINE ONLY
53	EM901006	DRIVE PULLEY	1	GASOLINE ENGINE ONLY
54	DM1521	MOUNTING PLATE	1	
55	DM1354	SEAL, OIL	1	
56	DM1105	MAIN FRAME	1	