

PARTS MANUAL



***ESSICK* SERIES MODELS**

PRO12/PRO12E51

PRO12E53/PRO12E53-460V

HYDRAULIC PLASTER/MORTAR MIXERS

**(HONDA GX390RT2-QNB2 GASOLINE ENGINE/
TECO WESTINGHOUSE 5HP ELECTRIC MOTOR)**

Revision #4 (10/30/19)

THIS MANUAL MUST ACCOMPANY THE EQUIPMENT AT ALL TIMES.

SUGGESTED SPARE PARTS

PRO12 HYDRAULIC MIXER WITH HONDA GX390RT2-QNB2 ENGINE

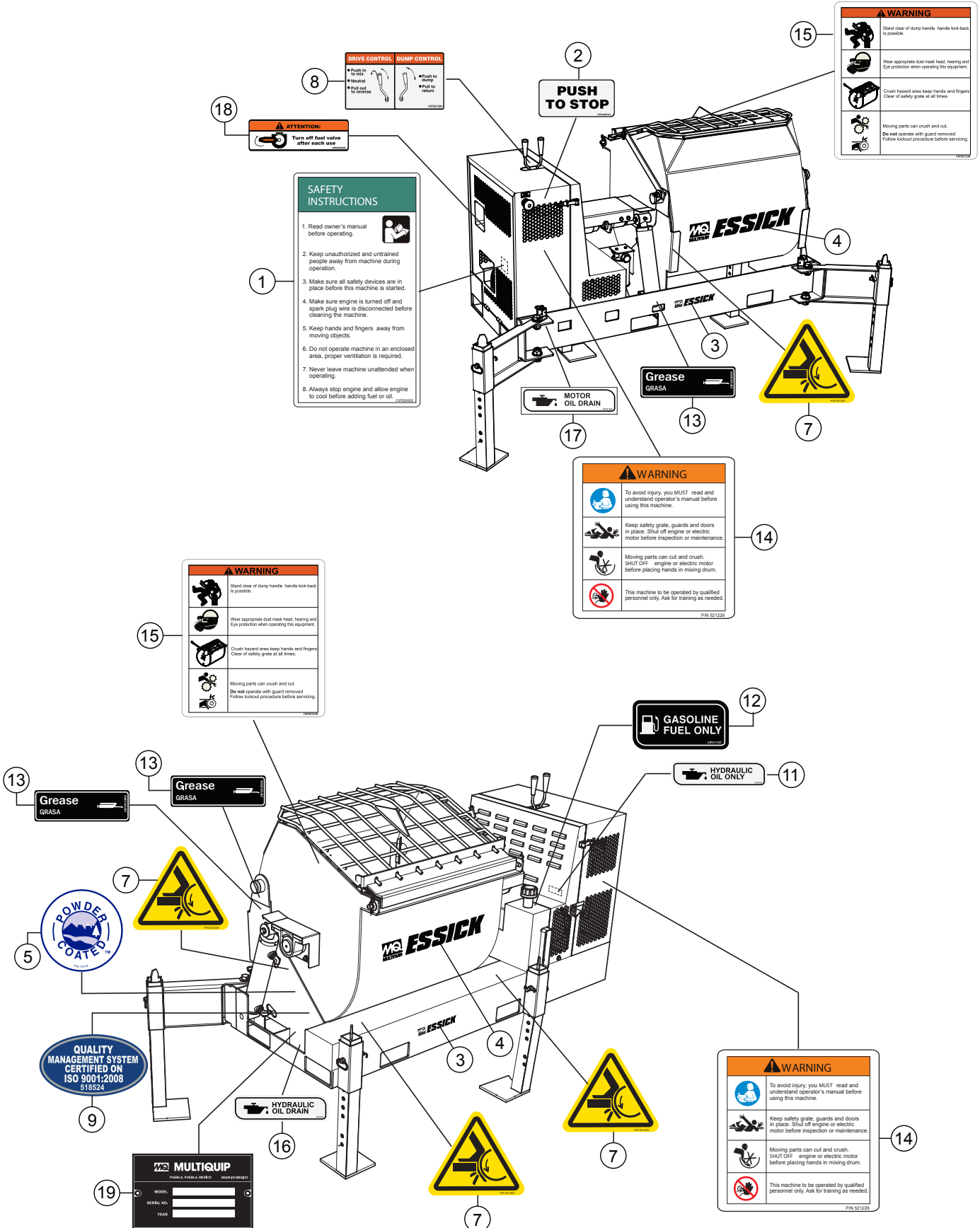
1 to 3 units

Qty.	P/N	Description
1	521426	KIT, RUBBER BLADES, SCRAPERS & HWD.
6	802366	SEAL, PADDLE SHAFT
4	802367	SEPARATOR, PADDLE SHAFT SEALS
2	802368	COVER, SEAL
1	10958	SWITCH, IGN., W/KEYS
2	11078	KEYSET, IGNITION
1	29173-001	SWITCH, PUSH-PULL, W/O KNOB
1	29174-001	KNOB-MUSHROOM
1	491010	LATCH KIT, ENGINE HOUSING
1	3353	CAP, FILLER/BREATHER
3	17210ZE3505	ELEMENT, A/C DUAL
3	9807956846	SPARK PLUG BPR6ES
3	EM20763	FILTER, FUEL, IN-LINE
2	508667	ELEMENT, OIL, HYDRAULIC

NOTICE

Part numbers on this Suggested Spare Parts list may supersede/replace the part numbers shown in the following parts lists.

NAMEPLATE AND DECALS



SAFETY INSTRUCTIONS

1. Read owner's manual before operating.
2. Keep unauthorized and untrained people away from machine during operation.
3. Make sure all safety devices are in place before this machine is started.
4. Make sure engine is turned off and spark plug wire is disconnected before cleaning the machine.
5. Keep hands and fingers away from moving objects.
6. Do not operate machine in an enclosed area, proper ventilation is required.
7. Never leave machine unattended when operating.
8. Always stop engine and allow engine to cool before adding fuel or oil.

ATTENTION:
Turn off fuel valve after each use.

DRIVE CONTROL DUMP CONTROL

- Push in to raise
- Push out to lower

WARNING

- Stand clear of dump handle, handle lock-back is possible.
- Wear appropriate dust mask, head, hearing and Eye protection when operating this equipment.
- Crush hazard area keep hands and fingers clear of safety grate at all times.
- Moving parts can crush and cut. Do not operate with guard removed. Follow lockout procedure before servicing.

WARNING

- To avoid injury, you MUST read and understand operator's manual before using this machine.
- Keep safety grate, guards and doors in place. Shut off engine or electric motor before inspection or maintenance.
- Moving parts can cut and crush. SHUT OFF engine or electric motor before placing hands in mixing drum.
- This machine to be operated by qualified personnel only. Ask for training as needed.

WARNING

- Stand clear of dump handle, handle lock-back is possible.
- Wear appropriate dust mask, head, hearing and Eye protection when operating this equipment.
- Crush hazard area keep hands and fingers clear of safety grate at all times.
- Moving parts can crush and cut. Do not operate with guard removed. Follow lockout procedure before servicing.

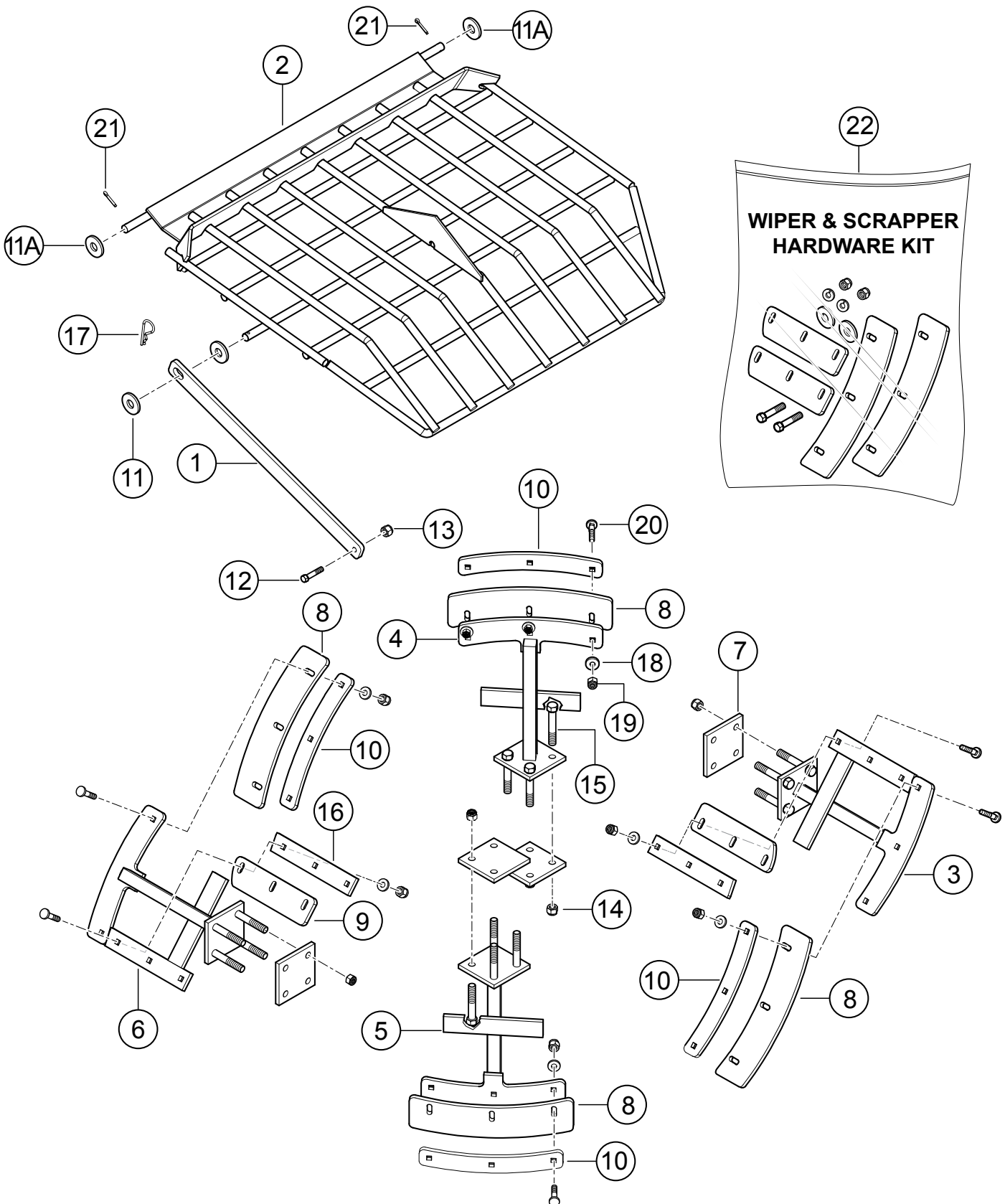
WARNING

- To avoid injury, you MUST read and understand operator's manual before using this machine.
- Keep safety grate, guards and doors in place. Shut off engine or electric motor before inspection or maintenance.
- Moving parts can cut and crush. SHUT OFF engine or electric motor before placing hands in mixing drum.
- This machine to be operated by qualified personnel only. Ask for training as needed.

NAMEPLATE AND DECALS

<u>NO.</u>	<u>PART NO.</u>	<u>PART NAME</u>	<u>QTY.</u>	<u>REMARKS</u>
1	520935	DECAL, SAFETY INSTRUCTIONS	1	
2	EM948630	DECAL, PUSH TO STOP	1	
3	EM510891	DECAL, MQ ESSICK MEDIUM	2	
4	EM510883	DECAL, MQ ESSICK LARGE	2	
5	13118	DECAL, POWDER COATED	1	
7	521303	DECAL, PINCH POINT	5`	
8	521293	DECAL, DRIVE/DUMP CONTROL 1	1	
9	518524	DECAL, ISO 9001:2000 EXPORT	1	
11	EM985	DECAL, HYDRAULIC OIL ONLY	1	
12	511727	DECAL, GASOLINE FUEL ONLY	1	
13	491999	DECAL, GREASE	8	
14	521229	DECAL, WARNING 4 POINTS	2	
15	521230	DECAL, PREVENT ACCIDENTS	2	
16	521291	DECAL, HYDRAULIC OIL DRAIN	1	
17	521292	DECAL, MOTOR OIL DRAIN	1	
18	803236	DECAL, TURN OFF FUEL VALVE	2	
19		PLATE, SERIAL NUMBER.....	1.....	CONTACT MQ PARTS DEPT.

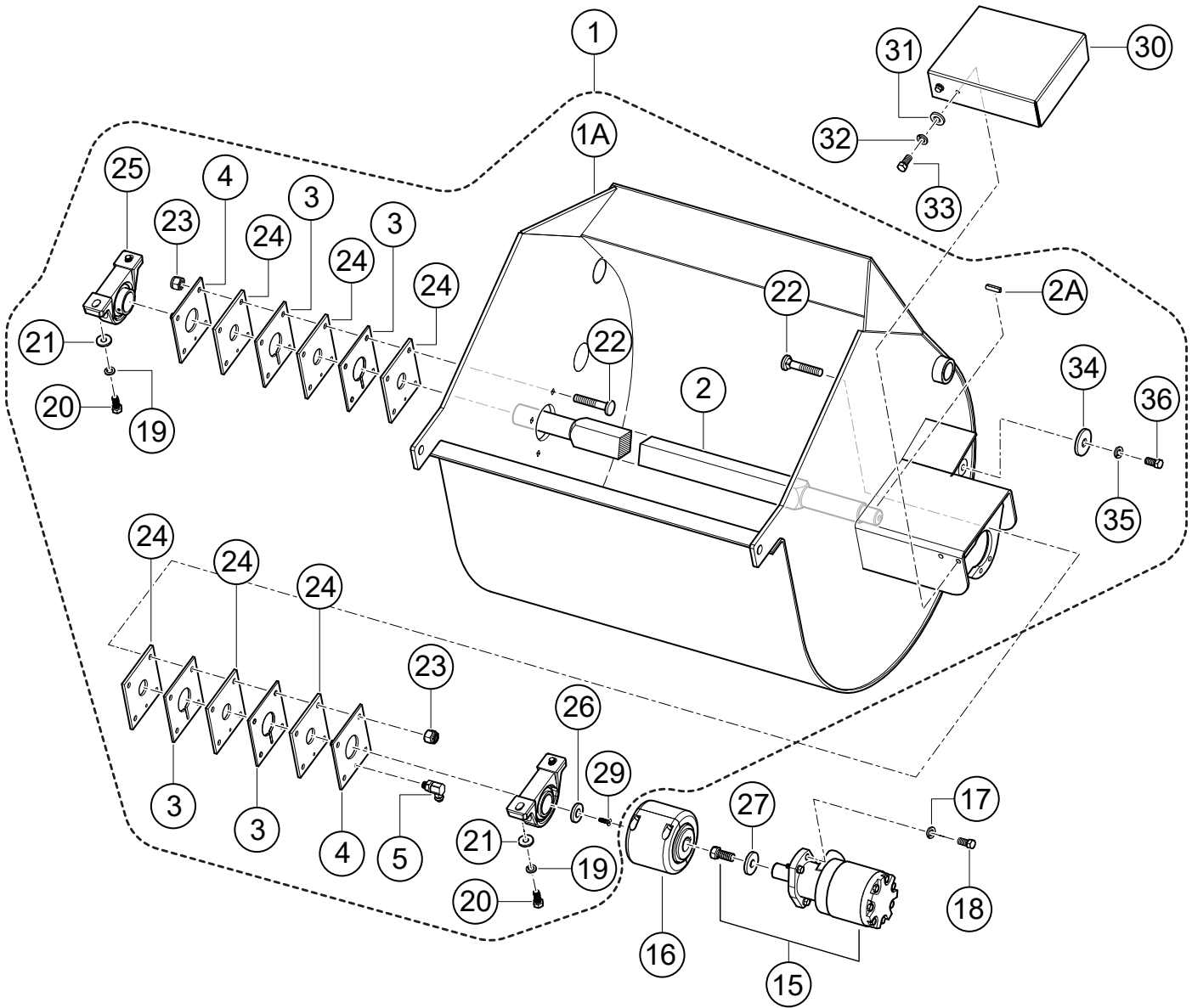
PADDLE BLADES ASSY.



PADDLE BLADES ASSY.

<u>NO.</u>	<u>PART NO.</u>	<u>PART NAME</u>	<u>QTY.</u>	<u>REMARKS</u>
1	802329	BAR, GRATE LATCH	1	
2	802385	GRATE	1	
3	802452	PADDLE ARM, END	1	
4	802453	PADDLE ARM, CENTER	1	
5	802454	PADDLE ARM, CENTER ENGINE END	1	
6	802455	PADDLE ARM, ENGINE END	1	
7	802443	RETAINER BASE, PADDLE ARM	4	
8\$	802447	RUBBER BLADE, SIDE	4	
9\$	802448	RUBBER BLADE END	2	
10\$	802451	STEEL BLADE, SIDE	4	
11	0401450160	WASHER FLAT 5/8"	4	
11A	507444	SPACER	2	
12	492378	BOLT, HHCS, GRD5	1	
13	EM969013	NUT, 3/8" .NYLOK GRD88	1	
14	492584	NUT LOCK 1/2" DIA NC GRD5	16	
15	3215	SCREW HHC 1/2-13 X 3-1/2" GRD5	16	
16\$	802449	STEEL BLADE, END	2	
17	EM745	HAIR PIN C 5/8-3/4"	1	
18\$	3019092	WASHER, FLAT 3/8"	18	
19\$	EM969013	NUT, 3/8" NYLOC G8	18	
20\$	505883	SCREW, 3/8-NC X 2" GRD5	18	
21	EM924015	PIN COTTER	2	
22	521426	KIT, RUBBER BLADES, SCRAPPERS, HWD....1.....		INCLUDES ITEMS W/\$

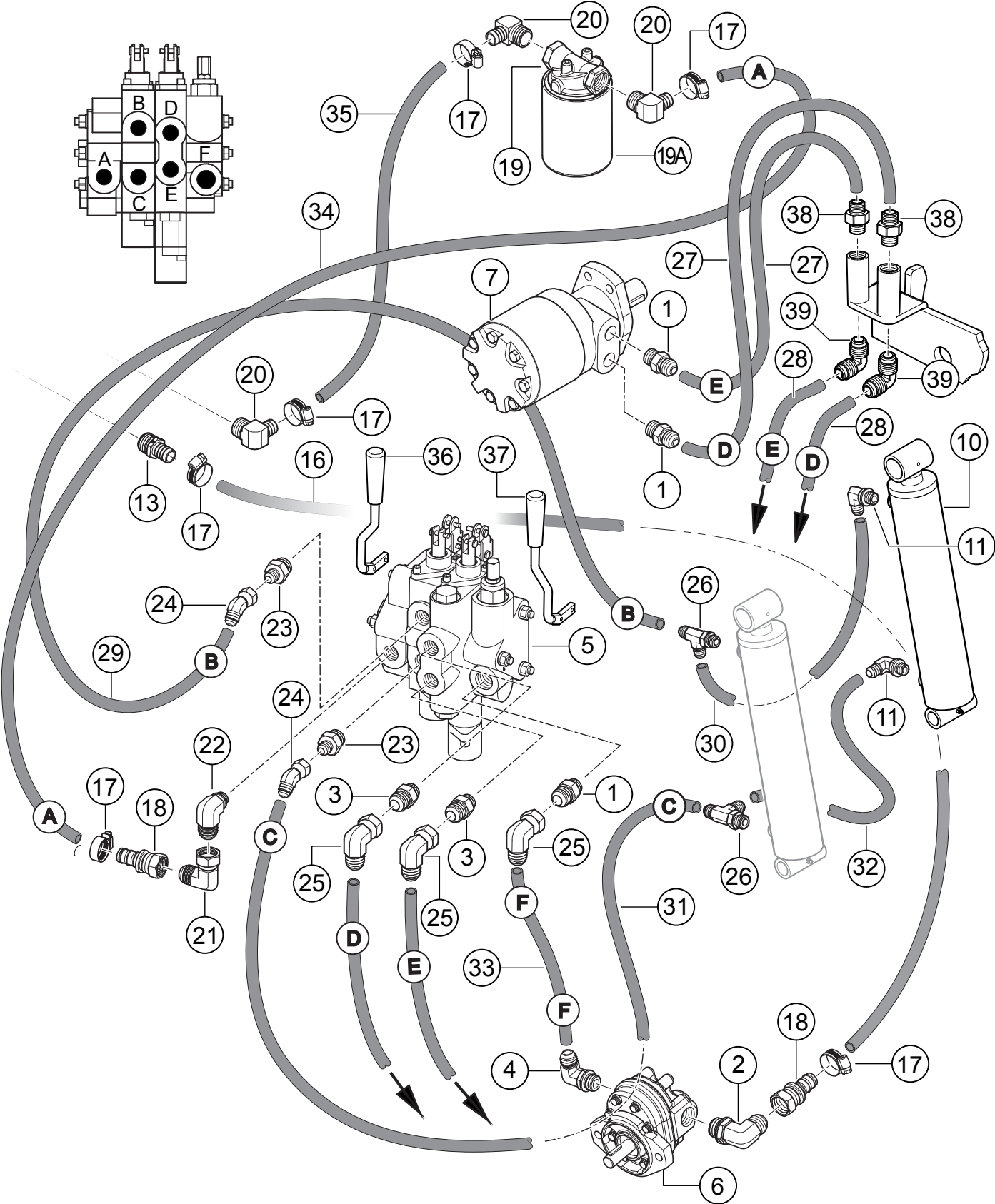
DRUM ASSY.



DRUM ASSY.

<u>NO.</u>	<u>PART NO.</u>	<u>PART NAME</u>	<u>QTY.</u>	<u>REMARKS</u>
1	521958	DRUM AND SHAFT ASSY.....	1.....	INCLUDES ITEMS W/@
1A@	802320	DRUM, BARE	1	
2@	802361	PADDLE SHAFT	1	
2A@	502727	WEDGE	1	
3@	802367	SEPARATOR	4	
4@	802368	COVER, SEAL	2	
5@	491704	FITTING ZERK	2	
15	34570	MOTOR, HYDRAULIC W/BOLT	1	
16	802414	COUPLER	1	
17	0166 A	WASHER, LOCK 3/8"	4	
18	EM963610	BOLT, 3/8-NC X 1-1/4" GRD5	4	
19@	6109180	WASHER, LOCK 1/2"	4	
20@	EM963102	CAPSCREW, HHC 1/2-NC X 1-1/4" GRD5	4	
21@	492599	WASHER, FLAT 1/2"	4	
22@	505883	BOLT, 3/8-NC X 2" GRD5	8	
23@	EM969013	NUT, NYLOC	8	
24@	802366	SEAL, PADDLE SHAFT	6	
25@	802415	BEARING	2	
26@	802667	WASHER, 5/16"	1	
27	802912	WASHER, 5/8"	1	
29@	506176	BOLT, 5/16-18 X 1" FHAS	1	
30	802945	COVER	1	
31	509161	WASHER, FLAT 5/16"	4	
32	EM923343	WASHER, LOCK 5/16"	4	
33	492362	BOLT, 5/16-NC X 5/8"	4	
34@	530183	WASHER, FLAT 1/2"	2	
35@	6109180	WASHER, LOCK 1/2"	2	
36@	EM963692	CAPSCREW, HHCS 1/2-13 X 1-1/2"	2	

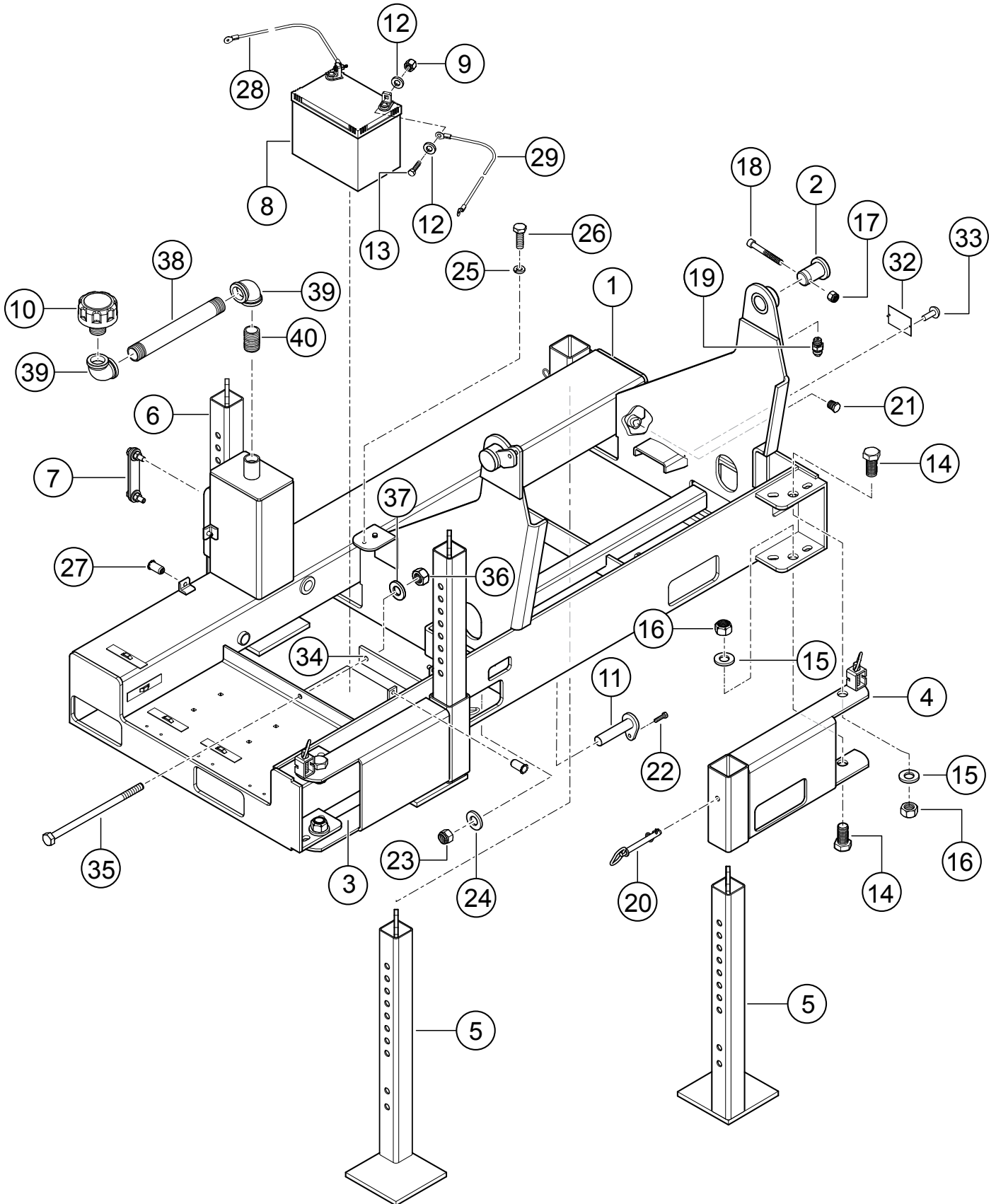
HYDRAULIC ASSY.



HYDRAULIC ASSY.

<u>NO.</u>	<u>PART NO.</u>	<u>PART NAME</u>	<u>QTY.</u>	<u>REMARKS</u>
1	3365	FITTING, STR.	3	
2	EM25459	ELBOW, 3/4"-90°	1	
3	16587	FITTING, STR	2	
4	3322	FITTING, 90°	1	
5	34585	VALVE, FOUR WAY	1	
6	13374	PUMP, EATON W/BOLT	1	
7	34570	MOTOR, HYDRAULIC	1	
10	802280	CYLINDER, HYD.	2	
11	506196	ELBOW	2	
13	13220	FITTING, STR 12BARB-3/4MP	1	
16	13380	HOSE, 3/4ID X 18-1/2" SAE100R4	1	
17	506207	CLAMP HOSE HS-16	6	
18	511847	FITTING	2	
19	8051	FILTER ASSY., HYD OIL	1	INCLUDES ITEM W/\$
19A\$	508667	ELEMENT, HYD. OIL	1	
20	3367	FITTING, 90°	3	
21	509353	ADAPTER, ELBOW	1	
22	515219	FITTING, VALVE	1	
23	512190	ADAPTER, STRAIGHT	2	
24	512234	ADAPTER, ELBOW	2	
25	512201	ADAPTER, ELBOW	3	
26	802938	ADAPTER	2	
27	803352	HOSE, 850MM	2	
28	803353	HOSE, 1000MM	2	
29	803001	HOSE, 1440MM	1	
30	803002	HOSE, 1585MM	1	
31	803003	HOSE, 1270MM	1	
32	803004	HOSE, 980MM	1	
33	803005	HOSE, 656MM	1	
34	803006	HOSE, 1100MM	1	
35	803007	HOSE, 130MM	1	
36	803048	HANDLE, VALVE, LEFT	1	
37	803049	HANDLE, VALVE, RIGHT	1	
38	516675	ADAPTER, STR.	2	
39	509784	ADAPTER, ELBOW 90°	2	

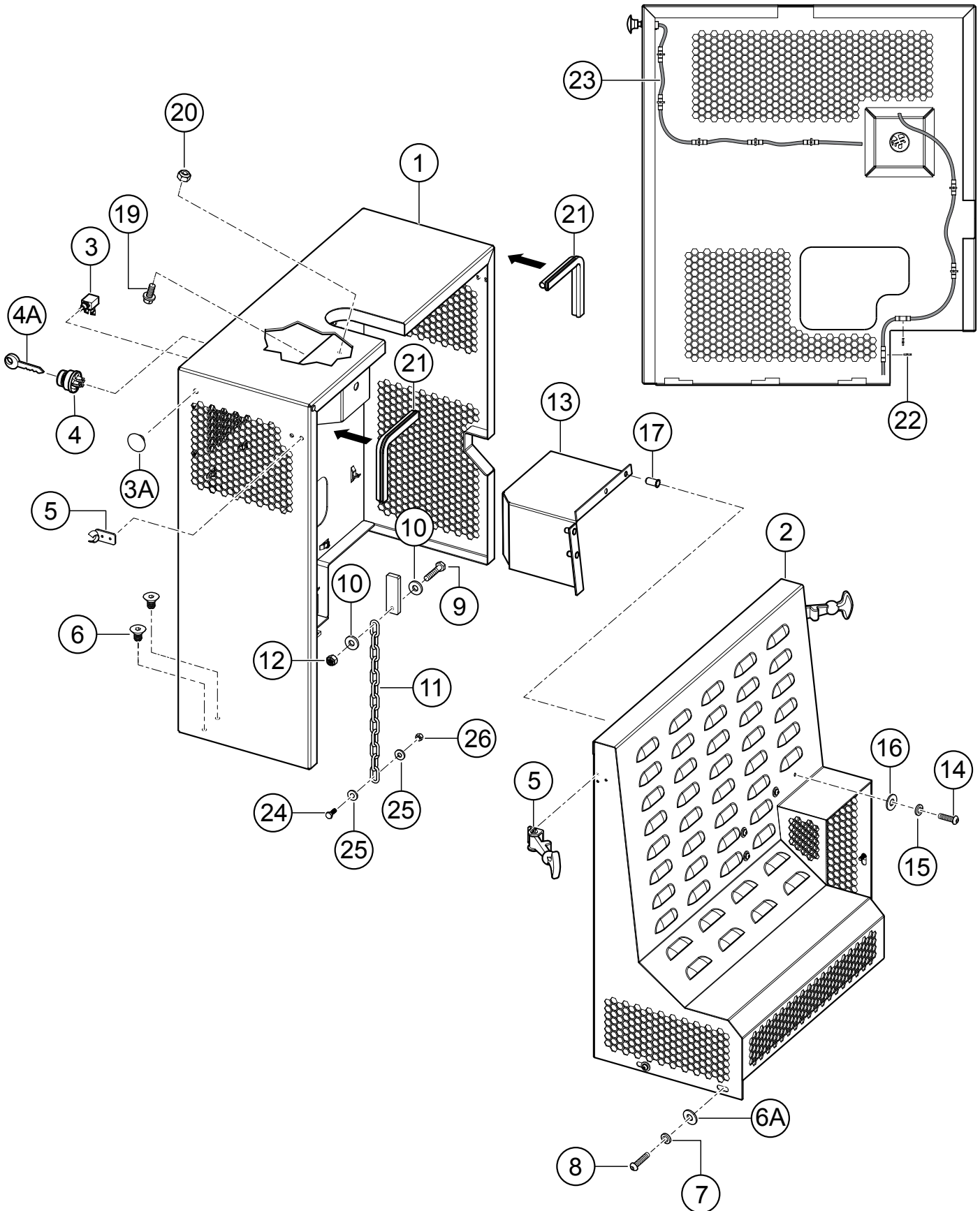
FRAME ASSY.



FRAME ASSY.

<u>NO.</u>	<u>PART NO.</u>	<u>PART NAME</u>	<u>QTY.</u>	<u>REMARKS</u>
1	802300	FRAME	1	
2	802362	CAP	2	
3	802331	LEG, LEFT	1	
4	802333	LEG, RIGHT	1	
5	802335	STAND, ADJUSTABLE	2	
6	802336	STAND, ADJUSTABLE	2	
7	18052	SIGHT GAUGE	1	
8	4671	BATTERY 12V GROUP U1 WET CELL	1	
9	503119	NUT, LOCK	2	
10	3353	CAP, FILLER/BREATHER	1	
11	802363	RETAINER, CYLINDER	2	
12	492595	WASHER, FLAT 3/16"	4	
13	503118	BOLT, 3/16" X 1"	2	
14	502125	BOLT, 1"-NF X 2" GRD5	4	
15	3047	SPACER	4	
16	TK86D16	NUT, 1"-NF	4	
17	EM969013	NUT, NYLOC	2	
18	520894	BOLT, 3/8-NC X 3" GRD8.8	2	
19	EM916019	FITTING, GREASE	2	
20	EM744	PIN, 1/2" X 4"	4	
21	506094	PLUG, 1/2NPT GALVANIZED	1	
22	492303	BOLT, 5/16-NC X 1-1/4"	2	
23	2105164	NUT, NYLON 5/16-18	2	
24	EM923023	WASHER, FLAT 5/16"	2	
25	2101402	WASHER, LOCK 1/4"	2	
26	492356	BOLT 1/4" X 3/4"	2	
27	DULT100602	NUT, M6	4	
28	512557	CABLE (-) BATTERY	1	
29	511250	CABLE (+) BATTERY	1	
32	520800	PLATE, SERIAL, EMISSION CONTROL	1	
33	491757	RIVET, ID PLATE	2	
34	802314	RETAINER BAR	1	
35	13217	SCREW, HHC 3/8-16 X 6" GRD5	2	
36	492551	NUT, 3/8-16	2	
37	0166 A	WASHER, LOCK 3/8"	2	
38	803069	PIPE, 1"NPT X 10" GALV.	1	
39	491189	ELBOW, 90° 1"NPT GALV.	2	
40	491160	PLUG, PIPE 1"NPT	1	

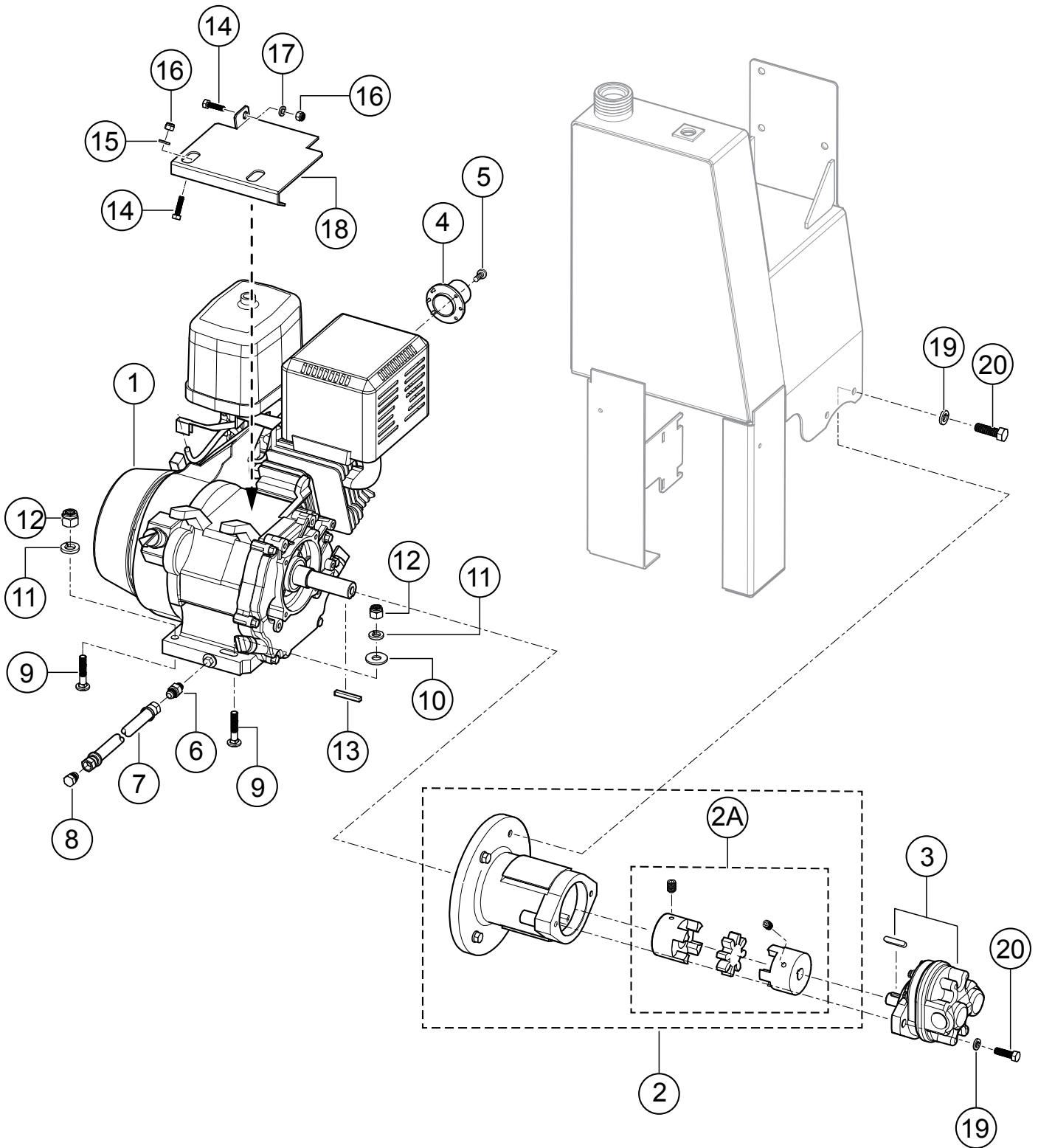
COVER ASSY.



COVER ASSY.

<u>NO.</u>	<u>PART NO.</u>	<u>PART NAME</u>	<u>QTY.</u>	<u>REMARKS</u>
1	802340	COVER, MOVEABLE	1	
2	802346	COVER, FIXED	1	
3	29173-001	SWITCH, PUSH PULL W/O KNOB	1	
3A	29174-001	KNOB-MUSHROOM	1	
4	10958	SWITCH, IGN, W/KEYS.....	1	INCLUDES ITEM W/\$
4A\$	11078	KEYSET, IGNITION	1	
5	491010	LATCH KIT ENGINE HOUSING	2	
6	510476	BOLT, 5/16-NC X 1/2"	4	
6A	EM923057	WASHER , FLAT1/4"	4	
7	2101402	WASHER LOCK 1/4"	4	
8	DULT100443	BOLT, M6 X 20 P-1 GRD2	4	
9	EM492358	BOLT 1/4-NC X 1-1/4"	1	
10	EM923057	WASHER, FLAT 1/4"	2	
11	803057	CHAIN	1	
12	492581	NUT, 1/4-20 NYLOC	1	
13	802962	HEAT SHIELD, MUFFLER	1	
14	DULT100443	BOLT, M6 X 20 P-1 GRD2	3	
15	2101402	WASHER, LOCK 1/4"	3	
16	EM923057	WASHER, FLAT 1/4".	3	
17	DULT100602	NUT, M6	3	
19	512367	BOLT, 3/16-NC X 1/2" GRD2	2	
20	503119	NUT, LOCK 3/16" NC	2	
21	800033	WEATHER STRIPING, 1.5FT.....	2	1PC=1FT
22	EM491028	WRAP, CABLE TIE, BLACK	9	
23	510573	HARNESS CABLE, ENGINE	1	
24	492356	BOLT, 1/4" X 3/4"	1	
25	EM923057	WASHER, FLAT 3/4"	2	
26	492581	NUT, 1/4-20 NYLOC	1	

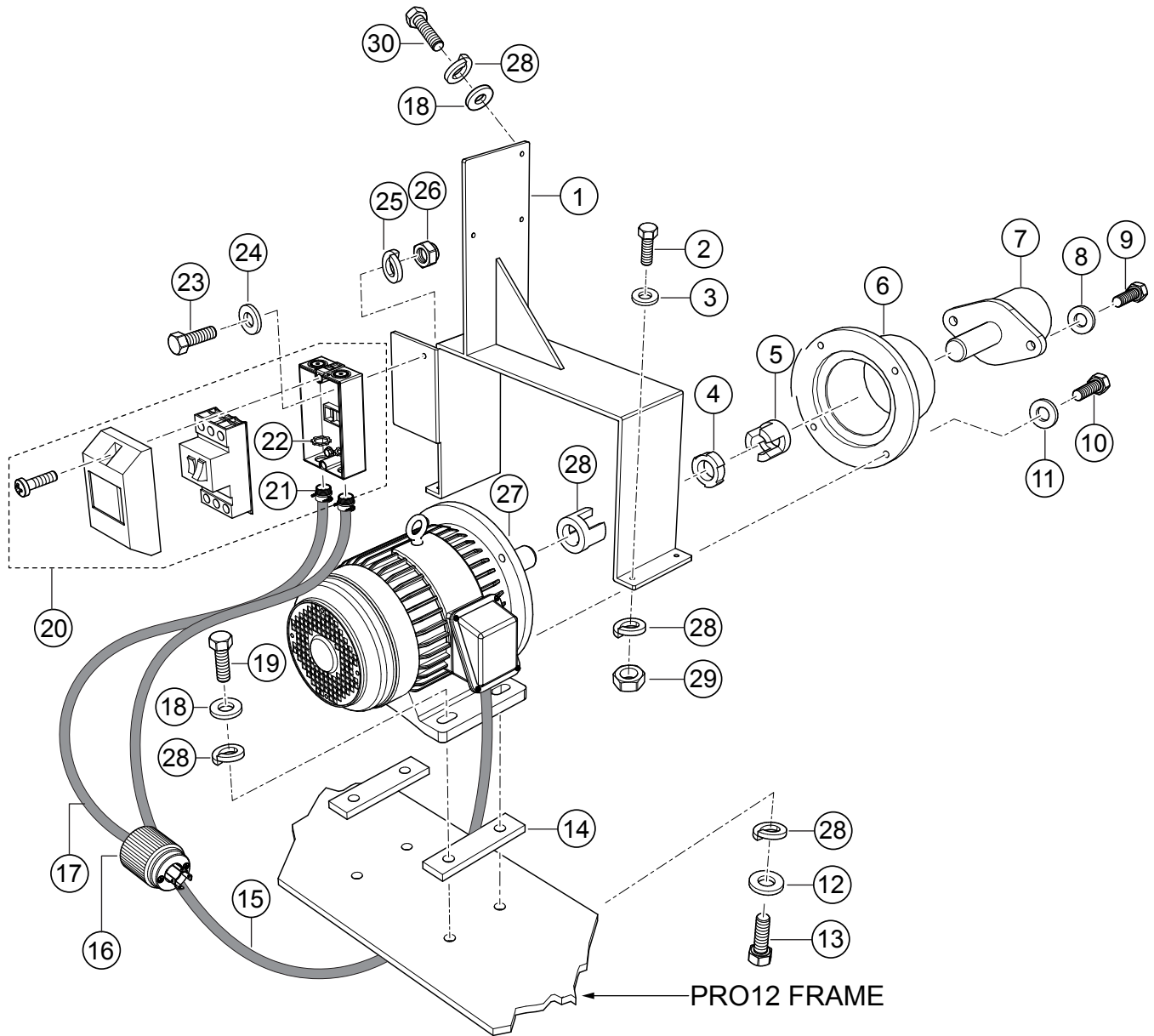
ENGINE ASSY.



ENGINE ASSY.

<u>NO.</u>	<u>PART NO.</u>	<u>PART NAME</u>	<u>QTY.</u>	<u>REMARKS</u>
1	520766	ENGINE, HONDA, ELEC START. 13HP EPA.....1.....	1	GX390RT2-QNB2
2	516282	COUPLING ASSY.	1	
2A	516282C	JAW COUPLER	1	
3	13374	PUMP, EATON W/KEY	1	
4	803028	MUFFLER, EXHAUST	1	
5	491757	RIVET	6	
6	800780	ADAPTER, 6M12F870MX	1	
7	800776	HOSE, DRAIN	1	
8	513619	FITTING	1	
9	505883	BOLT, 3/8-NC X 2" GRD5	4	
10	3019092	WASHER, FLAT 3/8"	2	
11	0166 A	WASHER, LOCK, 3/8" MED	4	
12	EM969013	NUT, NYLOC, 3/8-NC	4	
13	90745ZE2600	KEY, 6.3 X 6.3 X 43MM	1	
14	492303	BOLT, 5/16-NC X 1-1/4" GRD5	3	
15	EM923057	WASHER, FLAT 1/4"	2	
16	2105164	NUT, NYLOC, 5/16-NC	3	
17	508344	WASHER, FLAT, 5/16"	1	
19	0166 A	WASHER, LOCK, 3/8" MED	6	
20	EM963610	CAPSCREW, 3/8-NC X 1-1/4" GRD8	6	

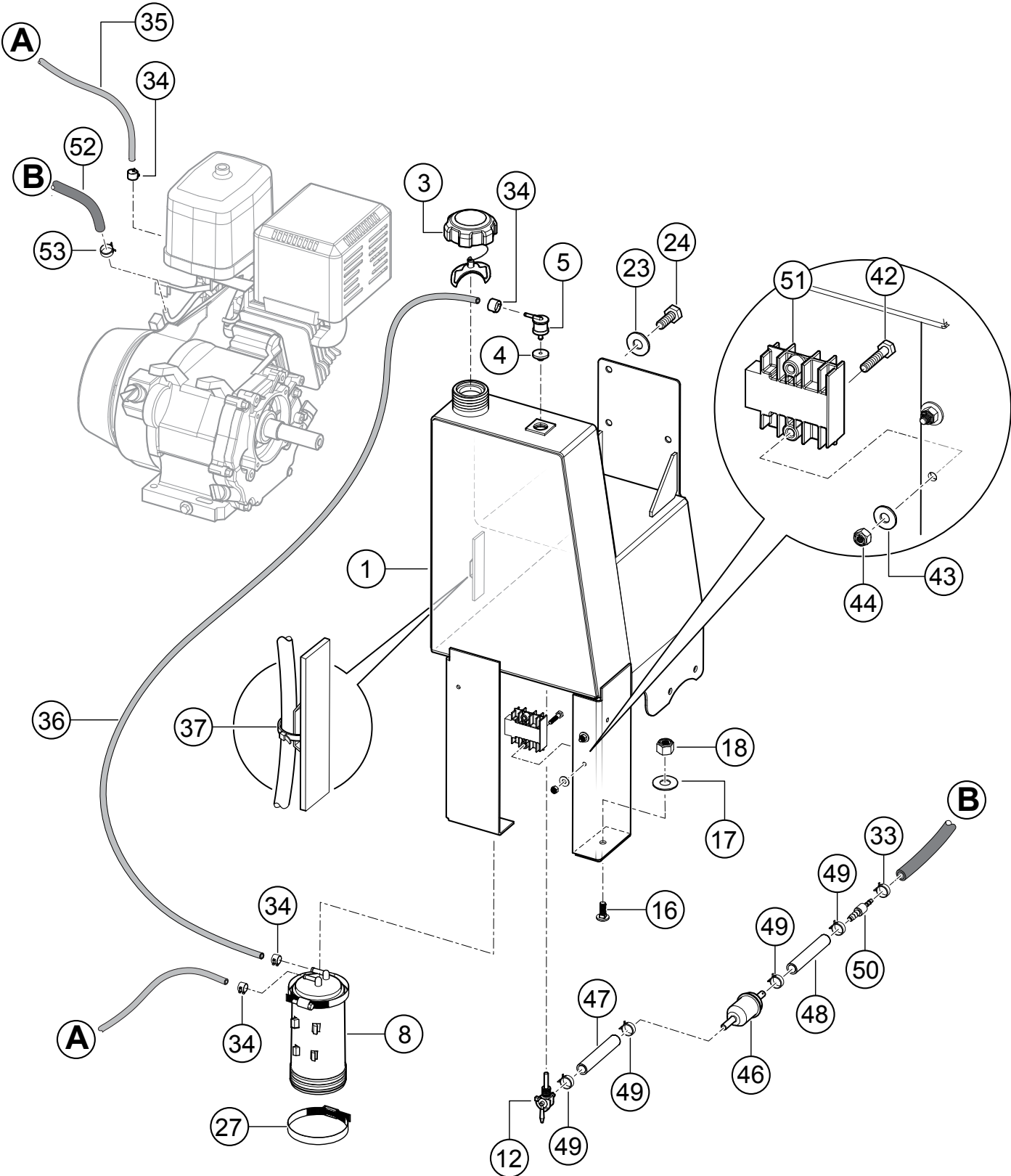
ELECTRIC MOTOR ASSY.



ELECTRIC MOTOR ASSY.

<u>NO.</u>	<u>PART NO.</u>	<u>PART NAME</u>	<u>QTY.</u>	<u>REMARKS</u>
1	EM98283	BRACKET, SUPPORT VALVE	1	
2		BOLT, 3/8-16 X 1-1/4"	4	OBTAIN LOCALLY
3		WASHER, FLAT 3/8"	4	OBTAIN LOCALLY
4	3418	INSERT ,RUBBER	1	
5	3420	COUPLER, PUMP END		
6	3416	ADAPTOR, PUMP	1	
7	13375	PUMP, EATON	1	
8	0166 A	WASHER, LOCK, 3/8" MED	1	
9	EM963610	CAPSCREW 3/8-NC X 1-1/4" GRD8	1	
10	981635	BOLT, HEX 1/2-13 X 1"	1	
11	6109180	WASHER, LOCK 1/2",	4	
12		WASHER, FLAT 3/8"	4	OBTAIN LOCALLY
13		BOLT, 3/8-16 X 1-1/4"	4	OBTAIN LOCALLY
14	13289	BAR, MOTOR MOUNT	2	
15	124	WIRE, 12-4 ELECTRICAL, 28" L.....	3	1PC=1FT
16	940547	RECEPTACLE (L6-30P) 1 PH. 230 VOLT	1	
16	511647	RECEPTACLE (L15-30P) 3 PH. 230 VOLT	1	
16	EM98285	RECEPTACLE (L16-30P) 3 PH. 460 VOLT	1	
17	124	WIRE, 12-4 ELECTRICAL, 35" L.....	3	1PC=1FT
18		WASHER, FLAT 3/8"	7	OBTAIN LOCALLY
19		SCREW, 3/8-16 X 1-1/4"	4	OBTAIN LOCALLY
20	EM98187	SWITCH ASSY., 230V 1 PH.	1	
20	EM98191	SWITCH ASSY., 230V 3 PH.	1	
20	EM98284	SWITCH ASSY., 460V 3 PH.	1	
21	TBD	RING	2	
22	TBD	NUT	2	
23		BOLT, 1/4-20 X 1"	2	OBTAIN LOCALLY
24		WASHER, FLAT 1/4"	2	OBTAIN LOCALLY
25		WASHER, LOCK 1/4"	2	OBTAIN LOCALLY
26		NUT, 1/4-20.....	2	OBTAIN LOCALLY
27	3414	MOTOR, ELEC 5HP, 1 PH.	1	
27	3481	MOTOR, ELEC 5HP, 3 PH.	1	
28		WASHER, LOCK 3/8"	15	OBTAIN LOCALLY
29		NUT, 3/8-16.....	4	OBTAIN LOCALLY
30		BOLT, 3/8-16 X 3/4"	3	OBTAIN LOCALLY

FUEL TANK ASSY.



FUEL TANK ASSY.

<u>NO.</u>	<u>PART NO.</u>	<u>PART NAME</u>	<u>QTY.</u>	<u>REMARKS</u>
1	802353	TANK, GASOLINE	1	
3	520820	CAP, FUEL EPA	1	
4	203403	GROMMET, ROLL OVER VALVE	1	
5	202772	VALVE, ROLL OVER	1	
8	23506	CANISTER, CARBON, 800CC	1	
12	22081	VALVE, FUEL SHUTOFF	1	
16	504586	BOLT, 3/8-NC X 1" GRD5	2	
17	0166 A	WASHER, LOCK 3/8"	2	
18	EM969013	NUT, NYLOC 3/8-NC	2	
23	0166 A	WASHER, LOCK 3/8"	3	
24	EM963055	HEX HEAD CAPSCREW	3	
27	493108	CLAMP	2	
33	802573	CLAMP, BAND TENSION D=9.5	1	
34	802498	CLAMP, BAND TENSION D=11.1	4	
35	520833	HOSE, GASOLINE, EPA 3/16" X 0.96M 40"L....4.....	4	1PC=1FT
36	520833	HOSE, GASOLINE, EPA 3/16" X 0.73M 25"L....3.....	3	1PC=1FT
37	EM491028	WRAP, CABLE TIE, BLACK	2	
42	EM492358	BOLT, 1/4-NC X 1-1/4" GRD5	2	
43	EM923057	WASHER, 1/4"	2	
44	492581	NUT, 1/4-20 NYLOK	2	
46	EM20763	FILTER, FUEL IN-LINE	1	
47	520611	HOSE, GASOLINE, EPA 1/4" X 0.051M 2"L.....1.....	1	1PC=1FT
48	520611	HOSE, GASOLINE, EPA 1/4" X 0.076M 2"L.....1.....	1	1PC=1FT
49	802574	CLAMP, BAND TENSION D=11.7	4	
50	802405C	REDUCER, 1/4" - 3/16"	1	
51	31600ZE2861	REGULATOR	1	
52	91424Z5L822	TUBE, FUEL 4.5 X 580MM	1	
53	950024080008	CLAMP, TUBE	1	