

**PARTS MANUAL**



*Mikasa* **SERIES**  
**MODEL MVH508GH**  
**REVERSIBLE PLATE COMPACTOR**  
**(HONDA GX390UT2SCM3 GASOLINE ENGINE)**

Revision #0 (03/23/21)

**THIS MANUAL MUST ACCOMPANY THE EQUIPMENT AT ALL TIMES.**

## MVH508GH Reversible Plate Compactor

Table Of Contents .....	2
Explanation Of Code In Remarks Column.....	4
Suggested Spare Parts .....	5

### Compactor Component Drawings

Nameplate And Decals Assembly .....	6-7
Vibrating Plate Assembly.....	8-9
Vibrator Assembly .....	10-11
Base And Engine Assembly .....	12-15
Electric Device Assembly .....	16-17
Battery Assembly.....	18-19
Control Assembly .....	20-23
Hand Pump (Exp.) Assembly.....	24-25
Engine Service Parts .....	26-27

#### **NOTICE**

Specifications and part numbers are subject to change without notice.

## SUGGESTED SPARE PARTS

### MVH508GH PLATE COMPACTOR WITH GX390UT2SCM3 HONDA ENGINE

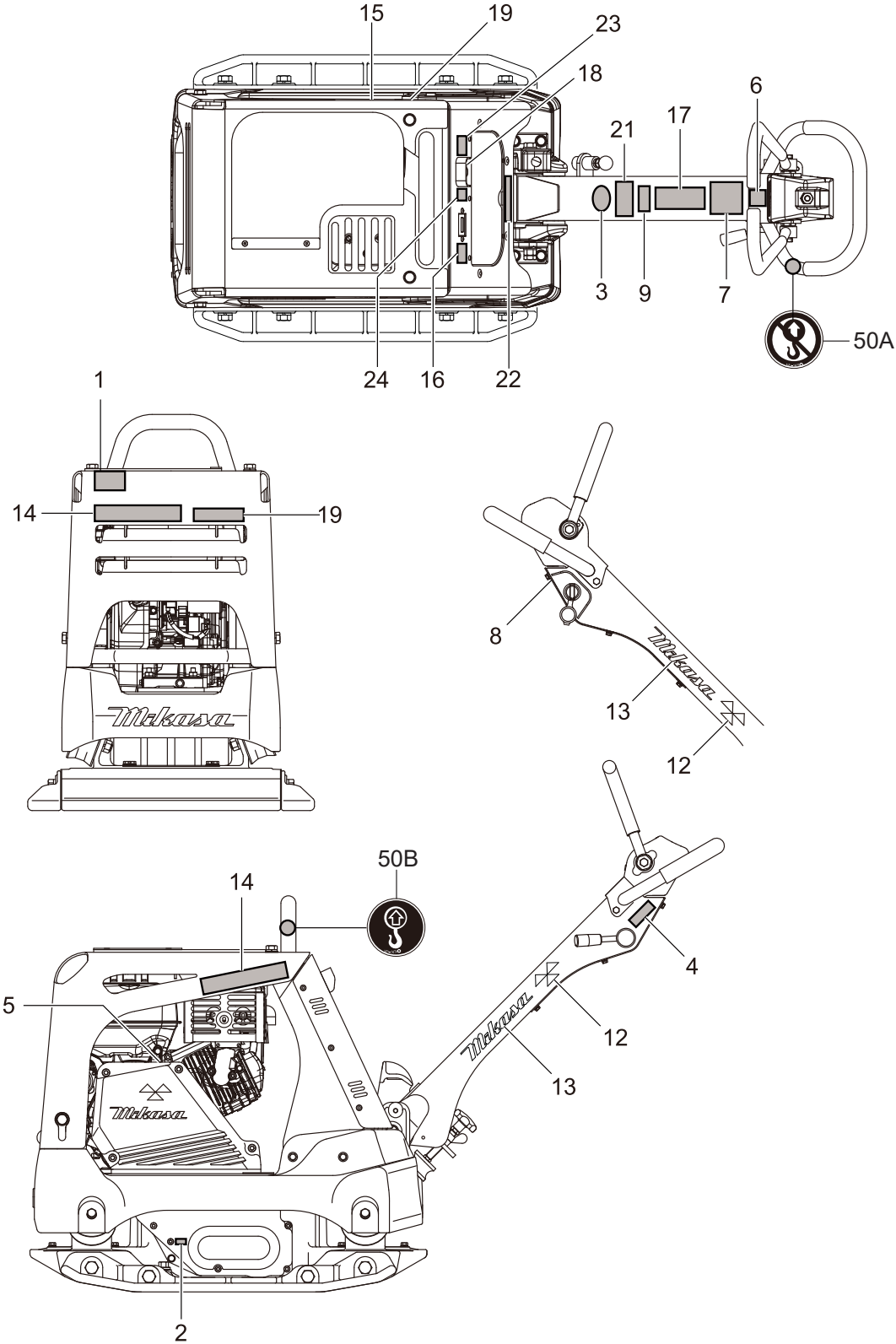
#### 1 to 3 units

Qty.	P/N	Description
2	.....070200463.....	V-BELT
4	.....939010010.....	SHOCK ABSORB., STOP
1	.....16910GB2005 .....	FUEL FILTER
4	.....939010380.....	SHOCK ABSORBER
1	.....956100070.....	THROTTLE WIRE
1	.....35100768S01 .....	SWITCH ASSY., COMBINATIION
1	.....35110736612.....	KEY ASSY.
3	.....0650140480.....	SPARK PLUG, (BPR6ES)
1	.....28462ZE3W01.....	ROPE, RECOIL STARTER
3	.....17210Z1C781 .....	ELEMENT, AIR CLEANER
3	.....17218Z1C780.....	FILTER, OUTER
1	.....17620Z4H900.....	CAP, FUEL TANK
1	.....17672Z4H000.....	FUEL FILTER, FUEL TANK

#### **NOTICE**

Part numbers on this Suggested Spare Parts list may supersede/replace the part numbers shown in the following parts lists.

# NAMEPLATE AND DECALS ASSY.

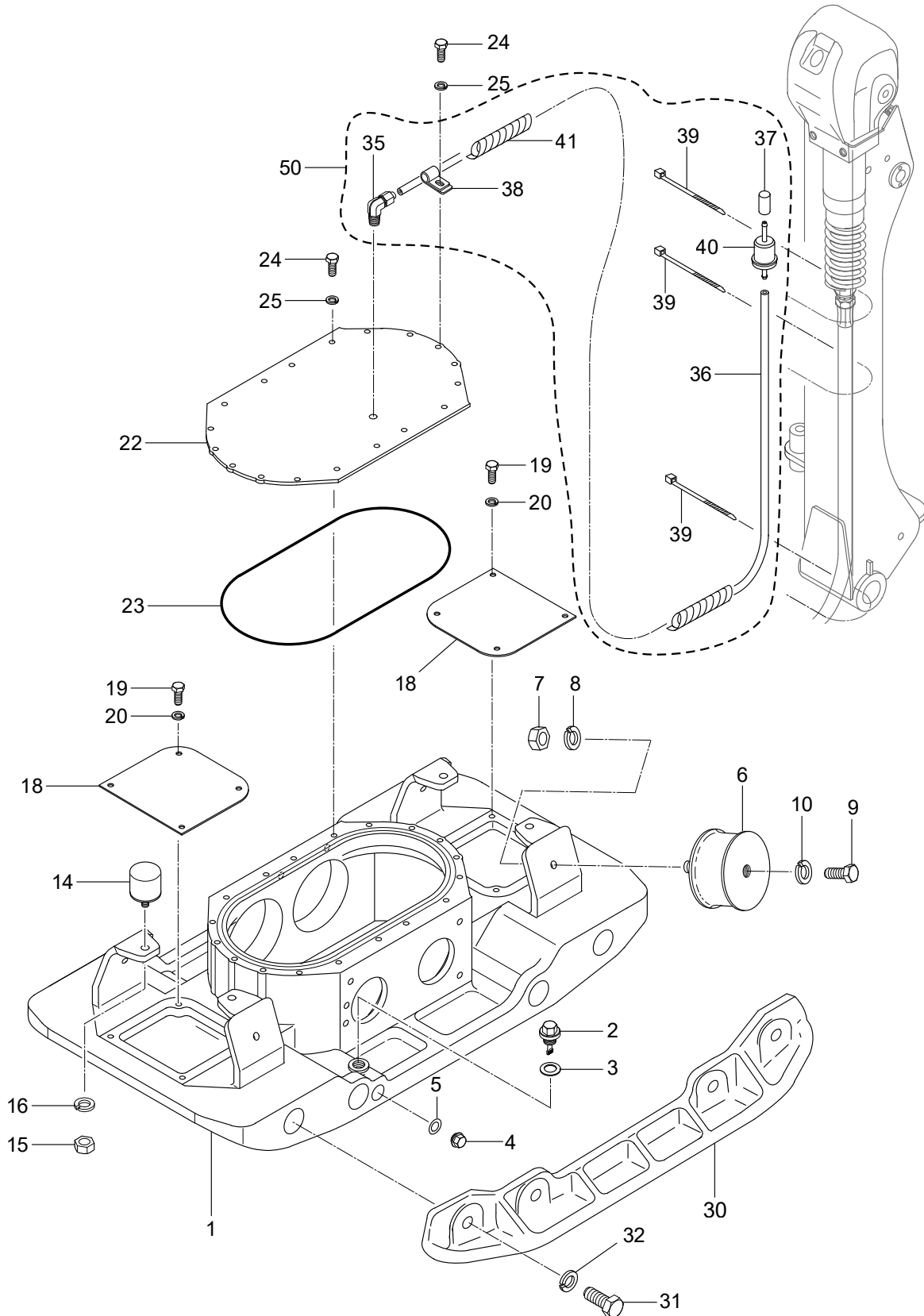


## NAMEPLATE AND DECALS ASSY.

---

<u>NO.</u>	<u>PART NO.</u>	<u>PART NAME</u>	<u>QTY.</u>	<u>REMARKS</u>
1	920201580	DECAL: MQ MARK 71X55	1	
2	920201950	DECAL: OIL SAE 10W-30	1	
3	920222810	EAR PROTECTION LABEL	1	
4	920204580	DECAL: FULL THROTTLE	1	
5	920217690	DECAL: V-BELT HDPF-5460	1	
6	920210310	DECAL: EC NOISE REQ.LWA107	1	
7	920211060	DECAL: CAUTION (LEVER)	1	
8	920211090	DECAL: SHELL TELLUS OIL 32	1	
9	920214100	DECAL: E/G FIRE WARNING	1	
12	920217110	DECAL: MIKASA MARK 35X70	2	
13	920217130	DECAL: MIKASA MARK (W) 200L	2	
14	920217810	DECAL: MODEL (R)	1	
15	920217820	DECAL: MODEL (L)	1	
16	920218130	DECAL: E/G RPM 3600	1	
17	920218390	DECAL: CAUTION	1	
18	920106760	DECAL: STOP-RUN-START	1	
21	920222240	DECAL: PROPOSITION 65	1	
22	920216610	DECAL: CAUTION (FOR WASHING)	1	
23	920214950	DECAL: REMOVE KEY	1	
24	920214960	DECAL: KEY OPERATION	1	
50A	920900110	DECAL: SET, DO NOT LIFT	1	
50B	920900110	DECAL: SET, LIFT POINT	1	

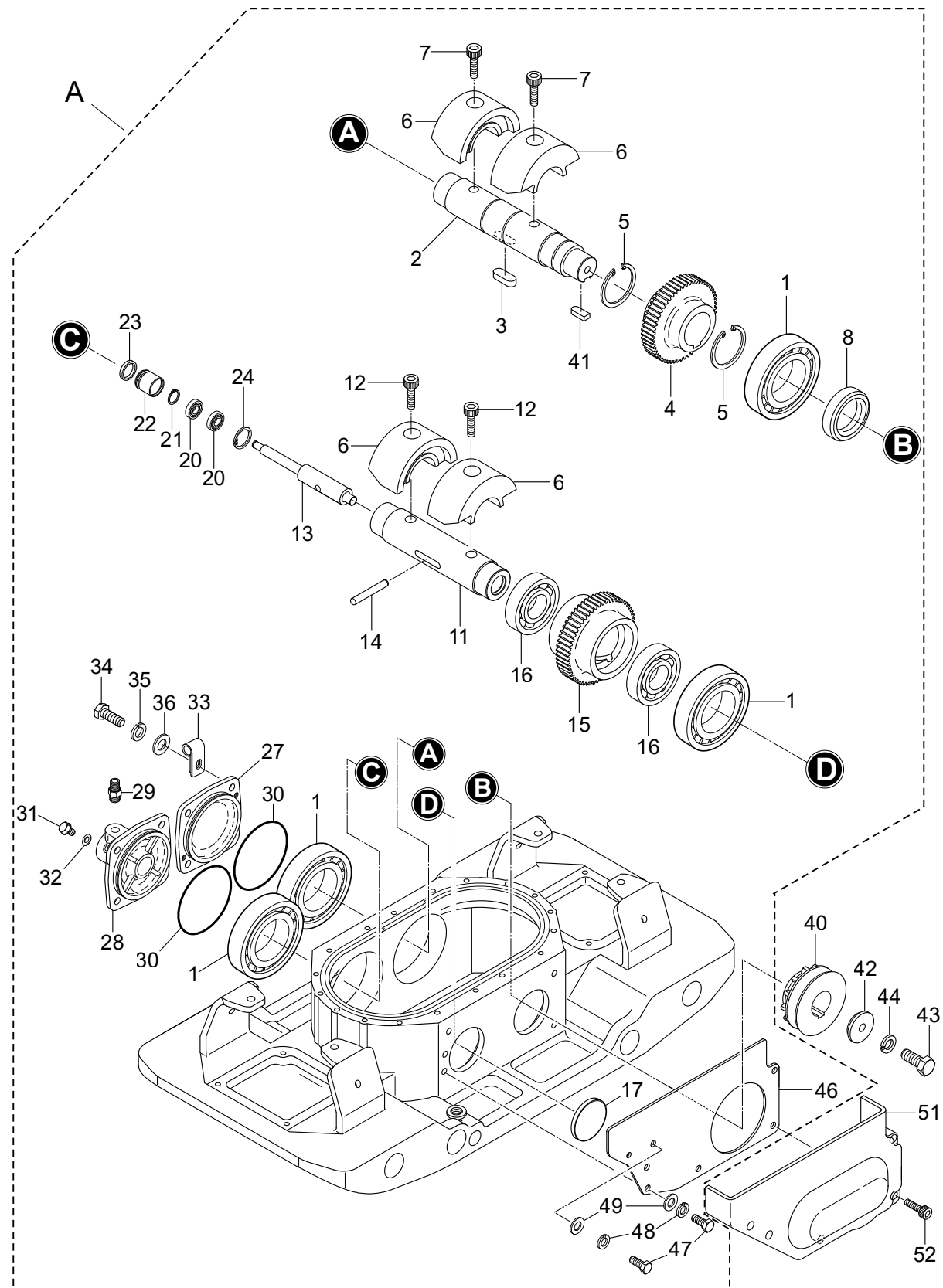
# VIBRATING PLATE ASSY.



## VIBRATING PLATE ASSY.

<u>NO.</u>	<u>PART NO.</u>	<u>PART NAME</u>	<u>QTY.</u>	<u>REMARKS</u>
1	468121201	VIBRATING PLATE	1	
2	465460670	OIL GAUGE	1	
3	953402930	COPPER PACKING	1	
4	953400270	PLUG 1/4X14 10L	1	
5	953405260	PACKING 1/4 (CU)	1	
6	939010380	SHOCK ABSORBER	4	
7	020316130	NUT M16	4	
8	030216400	WASHER, LOCK M16	4	
9	001221635	BOLT 16X35	4	
10	030216400	WASHER, LOCK M16	4	
14	939010010	SHOCK ABSORBER, STOPPER	4	
15	020310080	NUT M10	4	
16	030210250	WASHER, LOCK M10	4	
18	468352110	COVER, VIBRATOR, PLATE	2	
19	014208020	BOLT 8X20.....	8.....	REPLACES P/N 001220820
20	030208200	WASHER, LOCK M8	8	
22	467355940	COVER, VIBRATOR, BREATHER	1	
23	050103250	O-RING	1	
24	014208020	BOLT 8X20.....	18.....	REPLACES P/N 001220820
25	030208200	WASHER, LOCK M8	18	
30	452990	EXTENSION PLATE .....	2.....	REPLACES P/N 467219050
31	012218050	BOLT 18X50.....	8.....	REPLACES P/N 001221850
32	58407	WASHER, LOCK M18.....	8.....	REPLACES P/N 030218460
35\$	954410070	CONNECTOR, TUBE PT 1/8	1	
36\$	959029209	NYLON TUBE 6X8X1000	1	
37\$	467471710	BREATHER ELEMENT	1	
38\$	959408920	CLIP 8 (M8)	1	
39\$	507010110A	CLAMP.....	3.....	REPLACES P/N 507010110
40\$	16910GB2005	FUEL FILTER	1	
41\$	959021810	SPIRAL TUBE	1	
50	469910040	AIR BREATHER TUBE .....	1.....	INCLUDES ITEMS W/\$

# VIBRATOR ASSY.

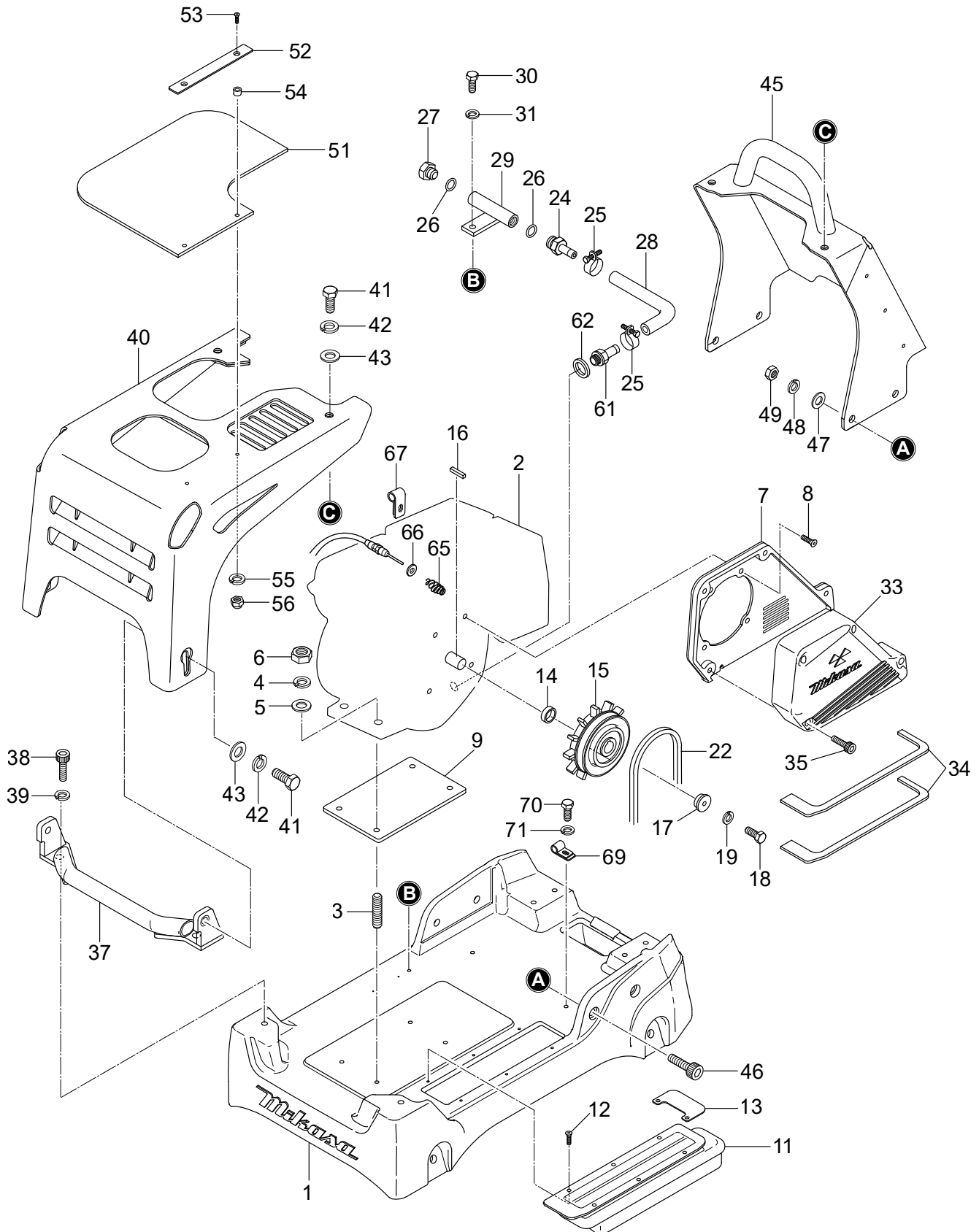




# VIBRATOR ASSY.

<u>NO.</u>	<u>PART NO.</u>	<u>PART NAME</u>	<u>QTY.</u>	<u>REMARKS</u>
A	474910010	V-PLATE ASSY.....	1.....	INCLUDES ITEMS W/\$
1\$	047920120	ROLLER BEARING	4	
2\$	467355910	SHAFT ROTARY DRIVE	1	
3\$	951405370	KEY 15X10X39 RR	1	
4\$	456327150	GEAR, DRIVE	1	
5\$	080200550	STOP RING	2	
6\$	474357530	ECCENTRIC ROTATOR	4	
7\$	009120301	SOCKET HEAD BOLT 16X40	2	
8\$	060405040	OIL SEAL TC-50729	1	
11\$	456337670	SHAFT, ROTARY DRIVEN	1	
12\$	009120302	SOCKET HEAD BOLT 16X30	2	
13\$	456337380	PISTON ROD	1	
14\$	456010010	KNOCK PIN 10X70	1	
15\$	467351910	GEAR (DRIVEN)	1	
16\$	040006911	BEARING	2	
17\$	953010030	SEAL CAP	1	
20\$	042006000	BEARING.....	2.....	REPLACES P/N 042506000
21\$	0080000010	STOP RING.....	1.....	REPLACES P/N 080200100
22\$	455435051	PISTON	1	
23\$	455010070	PACKING	1	
24\$	080100260	STOP RING	1	
27\$	467352540	BEARING COVER	1	
28\$	467220410	CYLINDER	1	
29\$	954010020	CONNECTOR PT, PF1/4	1	
30\$	050101050	O-RING	2	
31\$	001720812	FLANGE BOLT 8X12	1	
32\$	953404600	COPPER PACKING	1	
33\$	959408880	CLIP 15 (M10)	1	
34\$	0105091025	BOLT 10X25.....	8.....	REPLACES P/N 001221025
35\$	030210250	WASHER, LOCK M10	8	
36\$	031110160	WASHER, FLAT M10	8	
40	474357520	PULLEY	1	
41\$	951404970	KEY 12X8X30 R	1	
42	456437920	WASHER, PULLEY	1	
43	012212035	BOLT 12X35.....	1.....	REPLACES P/N 001221235
44	030212300	WASHER, LOCK M12	1	
46\$	467351920	GUIDE, BELT COVER	1	
47\$	014208020	BOLT 8X20.....	2.....	REPLACES P/N 001220820
48\$	030208200	WASHER, LOCK M8	2	
49\$	0401450080	WASHER, FLAT M8.....	2.....	REPLACES P/N 031108160
51	468218962	BELT COVER, LOWER	1	
52	001520856	SOCKET HEAD BOLT 8X80	5	

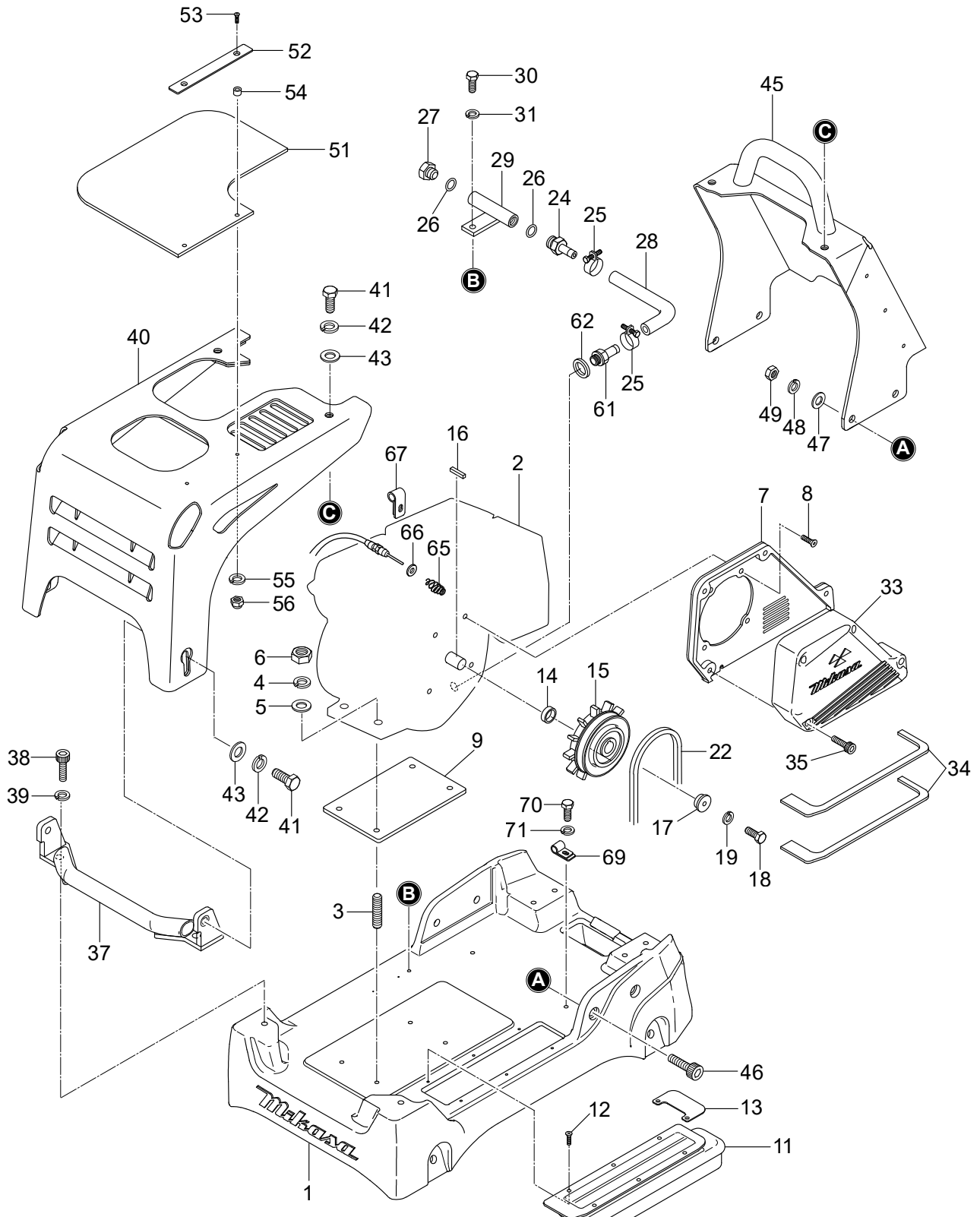
# BASE AND ENGINE ASSY.



## BASE AND ENGINE ASSY.

<u>NO.</u>	<u>PART NO.</u>	<u>PART NAME</u>	<u>QTY.</u>	<u>REMARKS</u>
1	474123000	BASE	1	
2	912239027	ENGINE ASSY., GX390	1	
3	009120207	STUD BOLT 10X55	4	
4	030210250	WASHER, LOCK M10	4	
5	031110160	WASHER, FLAT M10	4	
6	020310080	NUT M10	4	
7	474357500	BELT COVER, IN	1	
8	009110071	SOCKET HEAD BOLT 10X25	4	
9	474357510	ENGINE SPACER	1	
11	468352120	DUST COVER	1	
12	092006010	FLAT HEAD SCREW 6X10	6	
13	468467050	PLATE, BELT COVER	1	
14	952408810	SPACER	1	
15	456343340	CLUTCH ASSY.	1	
16	951400110	KEY 7X7X35	1	
17	952400690	WASHER 9X35X4.5	1	
18	011208030	BOLT 8X30.....	1	REPLACES P/N 001220830
19	030208200	WASHER, LOCK M8	1	
22	070200463	V-BELT, HDPF-5460	1	
24	2556390111	UNION, DRAIN .....	1	REPLACES P/N 954407310
25	954410140	HOSE CLAMP	2	
26	953410290	GASKET	2	
27	953410280	PLUG	1	
28	465459390	DRAIN HOSE	1	
29	464457380	DRAIN JOINT	1	
30	014208020	BOLT 8X20.....	1	REPLACES P/N 001220820
31	030208200	WASHER, LOCK M8	1	
33	467121100	BELT COVER (OUT)	1	
34	467351800	DUST SPONGE (OUT)	2	
35	001521054	SOCKET HEAD BOLT 10X70	4	
37	468352140	FRONT BUMPER	1	
38	001521435	SOCKET HEAD BOLT 14X35	2	
39	030214350	WASHER, LOCK M14	2	
40	468121230	FRONT COVER	1	
41	001221435	BOLT 14X35	4	
42	030214350	WASHER, LOCK M14	4	
43	031114260	WASHER, FLAT M14	4	
45	474123040	CENTER COVER	1	
46	001521435	SOCKET HEAD BOLT 14X35	4	
47	031114260	WASHER, FLAT M14	4	
48	030214350	WASHER, LOCK M14	4	
49	020314110	NUT M14	4	

# BASE AND ENGINE ASSY. (CONT'D.)

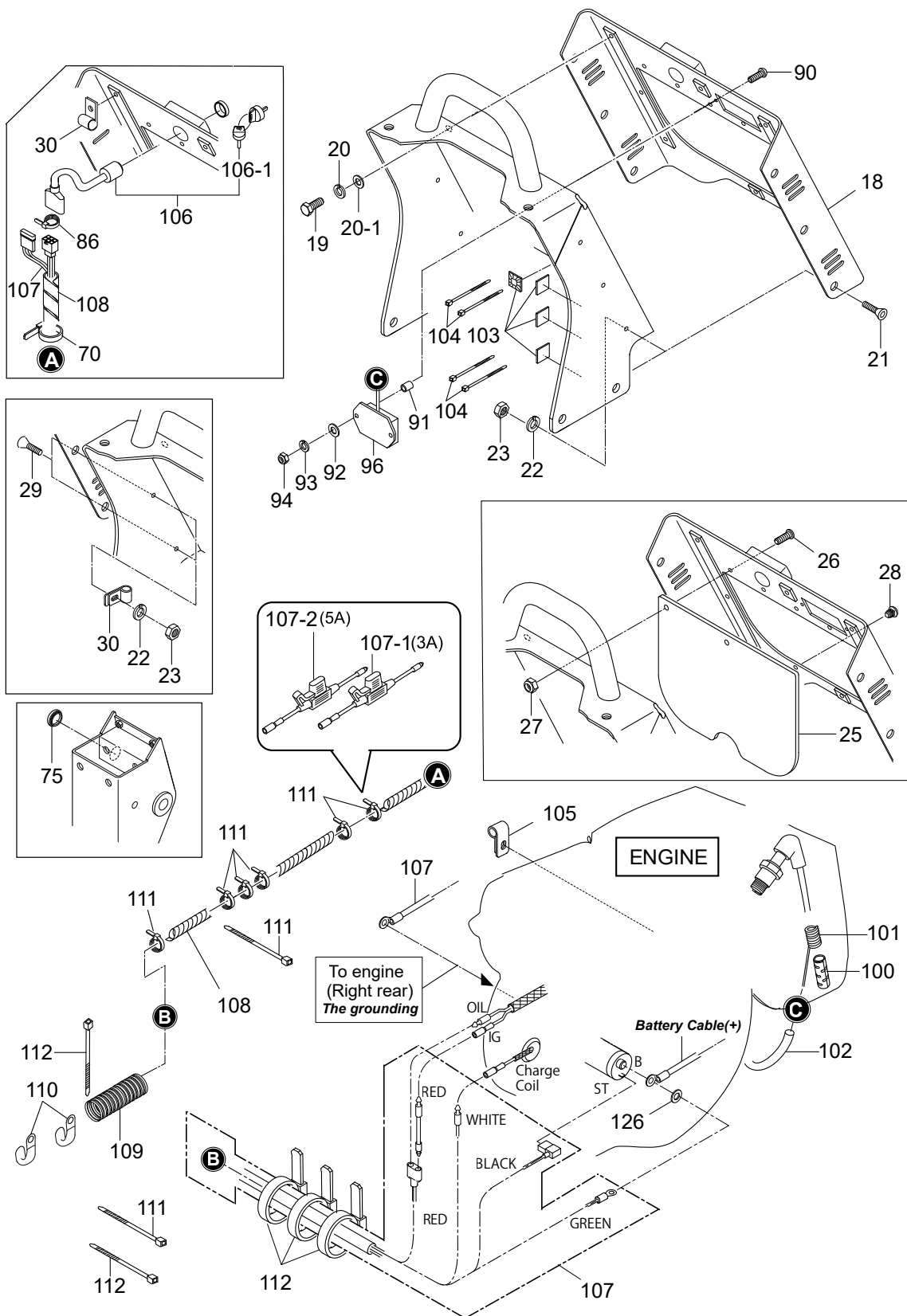


## BASE AND ENGINE ASSY. (CONT'D.)

---

<u>NO.</u>	<u>PART NO.</u>	<u>PART NAME</u>	<u>QTY.</u>	<u>REMARKS</u>
51	467466800	RUBBER COVER, UPPER	1	
52	467466810	STOPPER, COVER	1	
53	009120424	SOCKET HEAD BOLT 6X25	2	
54	617465130	COLLAR	2	
55	030206150	WASHER, LOCK M6	2	
56	022710607	NYLON NUT M6	2	
61	90131ZE3790	DRAIN JOINT	1	
62	031112230	WASHER, DRAIN PLUG M12 .....	1.....	REPLACES P/N 9410912000
65	371467760	RETURN SPRING	1	
66	58151	WASHER, FLAT M5.....	1.....	REPLACES P/N 031105080
67	954410020	CLAMP	1	

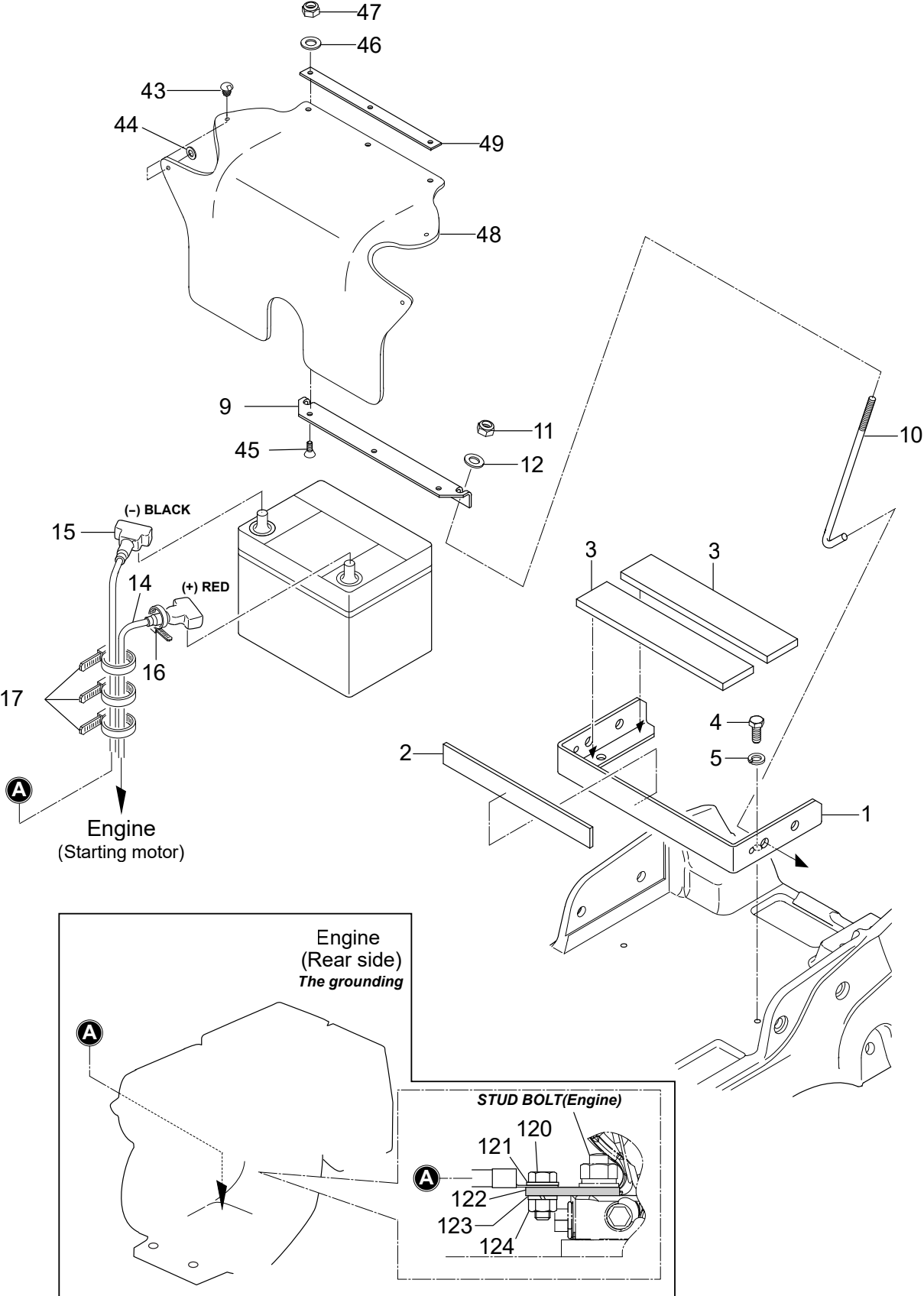
# ELECTRIC DEVICE ASSY.



## ELECTRIC DEVICE ASSY.

<u>NO.</u>	<u>PART NO.</u>	<u>PART NAME</u>	<u>QTY.</u>	<u>REMARKS</u>
18	474220440	REAR COVER	1	
19	001220612	BOLT 6X12	8	
20	030206150	WASHER, LOCK M6	8	
20-1	952404470	WASHER, FLAT M6.....	8.....	REPLACES P/N 031106100
21	009120413	SUNK HEAD BOLT 6X15	4	
22	030206150	WASHER, LOCK M6	6	
23	020106050	NUT M6.....	6.....	REPLACES P/N 020306050
25	474473910	RUBBER COVER, REAR	1	
26	009110062	SOCKET HEAD SCREW 6X20	3	
27	022710607	NYLON NUT M6	3	
28	009110062	SOCKET HEAD SCREW 6X20	4	
29	009120414	SUNK HEAD BOLT 6X20	2	
30	959408930	CLIP 15 (M6)	3	
70	506010070	CLAMP	6	
75	515010070	GROMMET .....	1.....	REPLACES P/N 953406090
86	507010110A	CLAMP.....	5.....	REPLACES P/N 507010110
90	009110072	PAN HEAD SCREW 5X35	2	
91	952407930	COLLAR 6X10X13.5	2	
92	58151	WASHER, FLAT M5.....	2.....	REPLACES P/N 031105080
93	030205130	WASHER, LOCK M5	2	
94	022710506	NYLON NUT M5	2	
96	955010311	TACHO/HOUR METER	1	
100	955010307	CLIP BELT	1	
101	955010308	CURL CORD	1	
102	959026828	RUBBER TUBE	1	
103	955407970	WIRING FIXED BASE	4	
104	506010070	CLAMP	4	
105	954410020	CLAMP	1	
106	35100768S01	SWITCH ASSY.,COMBINATION	1	
106-1	35110736612	KEY ASSY.	2	
107	474357560	WIRE HARNESS ASSY.	1	
107-1	474010010	FUSE (3A)	1	
107-2	471010020	FUSE (5A-SMALL)	1	
108	955404270	SPIRAL TUBE	1	
109	959026028	CORRUGATE TUBE	1	
110	954410260	HOSE CLAMP	2	
111	454010020	CLAMP	6	
112	507010110A	CLAMP.....	13.....	REPLACES P/N 507010110
126	952410790	SPACER (BRASS) 6.4X8X2	1	

# BATTERY ASSY.

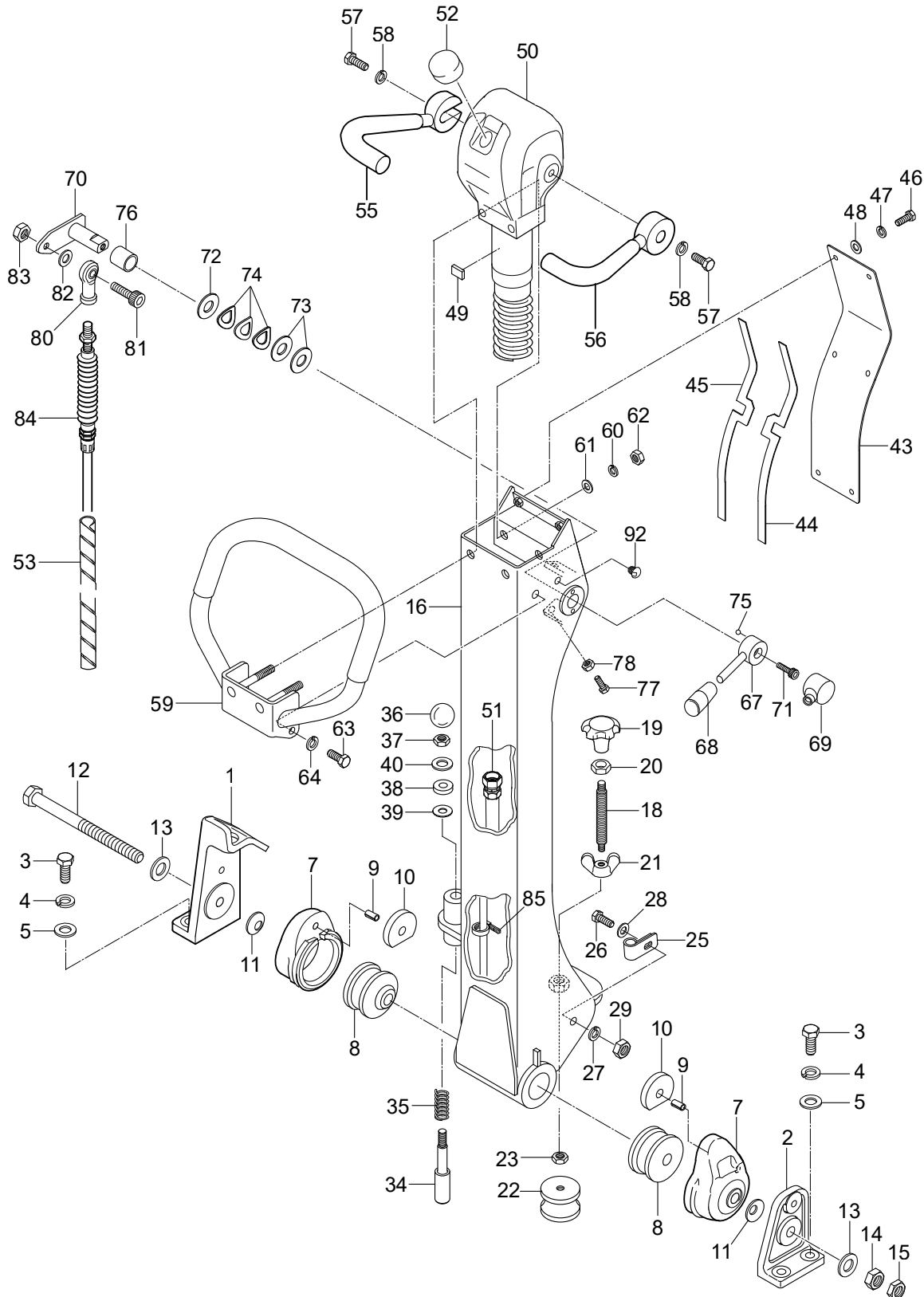




## BATTERY ASSY.

<u>NO.</u>	<u>PART NO.</u>	<u>PART NAME</u>	<u>QTY.</u>	<u>REMARKS</u>
1	467218920	BATTERY HOLDER	1	
2	456447590	RUBBER PLATE (E) 28X240X5	1	
3	456447600	RUBBER PLATE 50X240X10	2	
4	012210020	BOLT 10X20.....	2.....	REPLACES P/N 001221020
5	030210250	WASHER, LOCK M10	2	
9	474357550	HOLDER, BATTERY	1	
10	469467170	BOLT, BATTERY	2	
11	022710809	NYLON NUT M8	2	
12	0401450080	WASHER, FLAT M8.....	2.....	REPLACES P/N 031108160
14	955301030	BATTERY CABLE (+)	1	
15	955301040	BATTERY CABLE (-)	1	
16	506010070	CLAMP	2	
17	507010110A	CLAMP.....	3.....	REPLACES P/N 507010110
43	953409110	BRUSH CLIP	2	
44	952404470	WASHER, FLAT M6.....	2.....	REPLACES P/N 031106100
45	009120422	SOCKET HEAD BOLT 5X20	3	
46	030205130	WASHER, LOCK M5	3	
47	022710506	NYLON NUT M5	3	
48	474357540	RUBBER PLATE, BATTERY	1	
49	474473890	STOPPER, RUB-PLATE	1	
120	014208020	BOLT 8X20.....	1.....	REPLACES P/N 001220820
121	0401450080	WASHER, FLAT M8.....	1.....	REPLACES P/N 031108160
122	474474330	EARTH STAY	1	
123	030208200	WASHER, LOCK M8	1	
124	020108060	NUT M8.....	1.....	REPLACES P/N 020308060

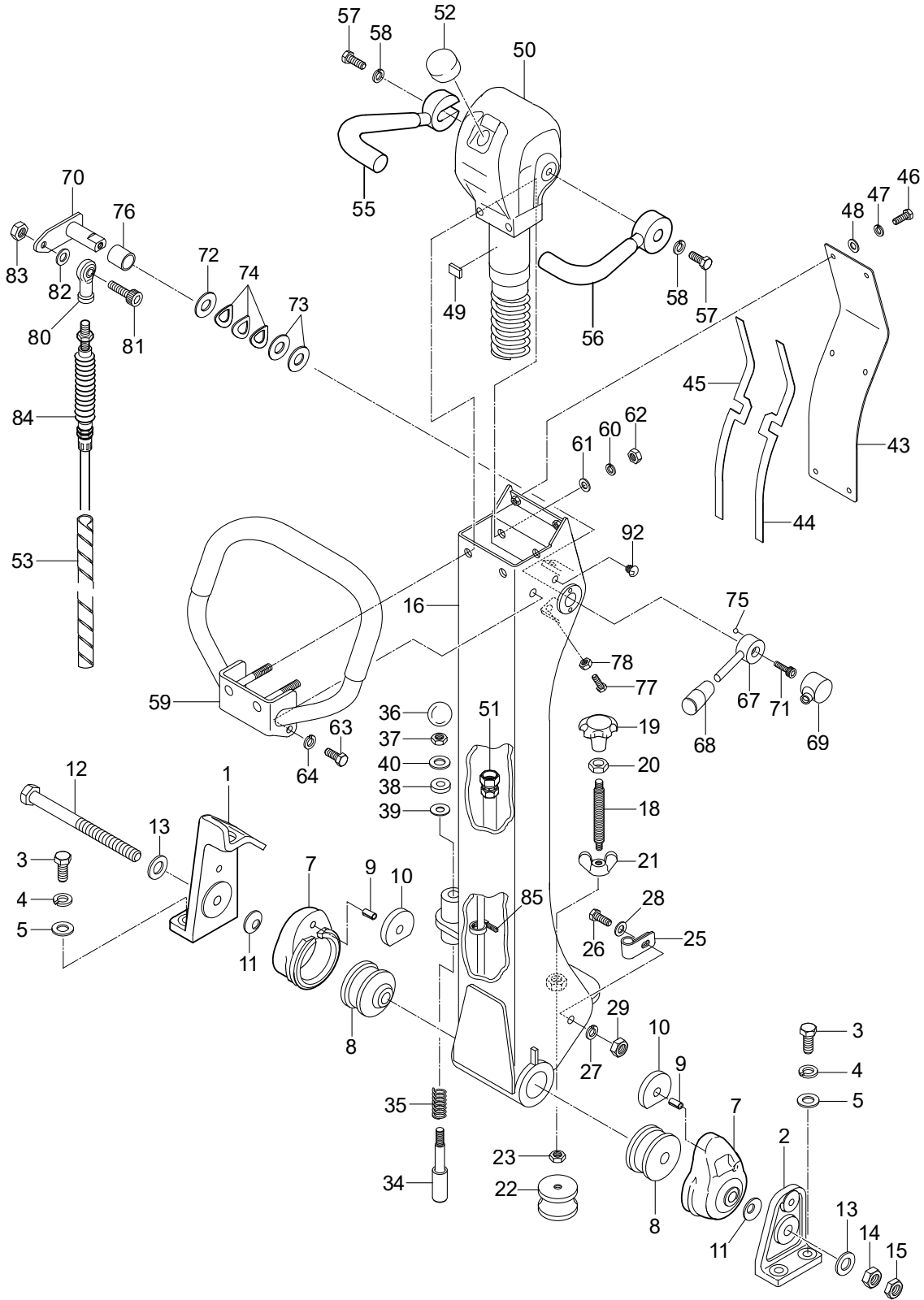
# CONTROL ASSY.



## CONTROL ASSY.

<u>NO.</u>	<u>PART NO.</u>	<u>PART NAME</u>	<u>QTY.</u>	<u>REMARKS</u>
1	467351951	HANDLE BRACKET(R)	1	
2	467351960	HANDLE BRACKET(L)	1	
3	012212035	BOLT 12X35.....	4	REPLACES P/N 001221235
4	030212300	WASHER, LOCK M12	4	
5	031112230	WASHER, FLAT M12	4	
7	456336400	RUBBER COUPLING	2	
8	456449940	SHOCK ABSORBER	2	
9	025306016	SPRING PIN 6X16.....	2	REPLACES P/N 025406016
10	456449930	RUBBER PLATE	2	
11	032124400	CONICAL SPRING WASHER M24	2	
12	001221681	BOLT 16X250	1	
13	0401450160	WASHER, FLAT M16.....	2	REPLACES P/N 031116260
14	020316130	NUT M16	1	
15	020416100	NUT M16	1	
16	467121180	HANDLE BAR	1	
18	455434950	SPINDLE	1	
19	455010030	KNOB	1	
20	020412070	NUT M12	1	
21	022411635	WING NUT M16	1	
22	939010060	SHOCK ABSORBER	1	
23	020310080	NUT M10.....	1	REPLACES P/N 020410060
25	959408930	CLIP 15 (M6)	1	
26	011206020	BOLT 6X20 .....	1	REPLACES P/N 001220620
27	030206150	WASHER, LOCK M6	1	
28	952404470	WASHER, FLAT M6.....	1	REPLACES P/N 031106100
29	020106050	NUT M6.....	1	REPLACES P/N 020306050
34	501402870	HANDLE STOPPER	1	
35	501402880	SPRING HANDLE	1	
36	959403460	BALL GRIP	1	
37	020310080	NUT M10.....	1	REPLACES P/N 020410060
38	456449980	RUBBER PACKING	1	
39	953405260	PACKING 1/4 (CU)	1	
40	031110160	WASHER, FLAT M10	1	
43	467351980	HANDLE COVER	1	
44	467467340	PACKING (L), HANDLE	1	
45	467467350	PACKING (R), HANDLE	1	
46	0105050616	BOLT 6X15.....	6	REPLACES P/N 001220615
47	030206150	WASHER, LOCK M6	6	
48	952404470	WASHER, FLAT M6.....	6	REPLACES P/N 031106100
49	464457930	RUBBER PIECE	1	

# CONTROL ASSY. (CONT'D.)



## CONTROL ASSY. (CONT'D.)

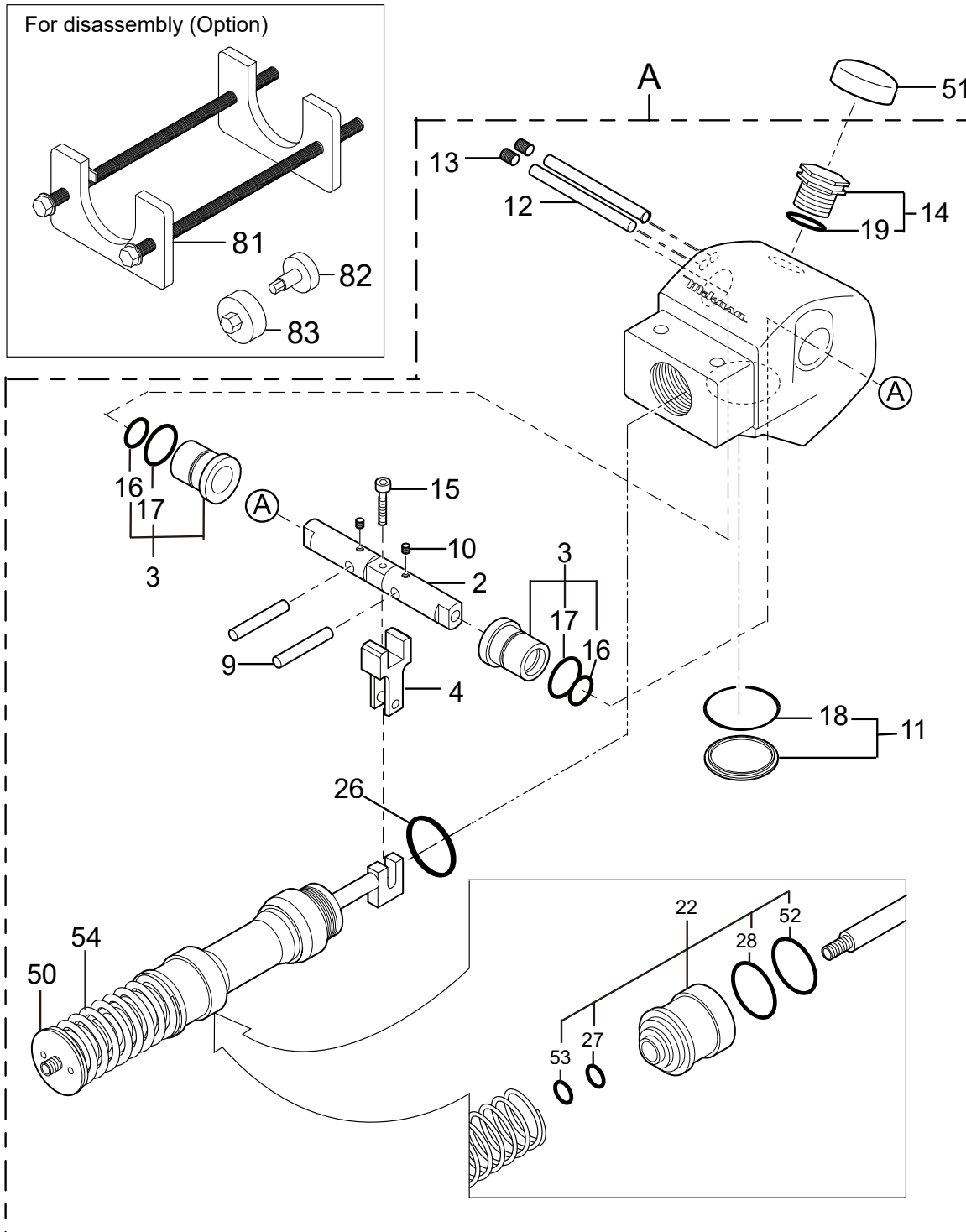
<u>NO.</u>	<u>PART NO.</u>	<u>PART NAME</u>	<u>QTY.</u>	<u>REMARKS</u>
50	469219180	HAND PUMP (EXP.)	1	
51	954003100	OIL HOSE	1	
52	458451630	BREATHER CAP	1	
53	959021813	SPIRAL TUBE	1	
54	959409120	PROTECT TUBE	1	
55	464216820	TRAVEL LEVER (R)	1	
56	464216830	TRAVEL LEVER (L)	1	
57	012010030	BOLT 10X30.....	2	REPLACES P/N 001221030
58	030210250	WASHER, LOCK M10	2	
59	467218900	GRIP	1	
60	030210250	WASHER, LOCK M10	2	
61	031110160	WASHER, FLAT M10	2	
62	020310080	NUT M10	2	
63	0105091025	BOLT 10X25.....	2	REPLACES P/N 001221025
64	030210250	WASHER, LOCK M10	2	
67	467467380	THROTTLE LEVER	1	
68	959403840	BAR GRIP, I.D. 12MM	1	
69	464457420	COVER, THROTTLE LEVER	1	
70	464457350	ARM, THROTTLE	1	
71	014208020	SOCKET HEAD BOLT 8X20.....	1	REPLACES P/N 001520820
72	0401450160	WASHER, FLAT M16.....	1	REPLACES P/N 031116260
73	458450660	WASHER	2	
74	033910080	CONICAL WASHER, LOCK	3	
75	464457440	STEEL BALL	1	
76	464010010	DRY BUSHING	1	
77	011606025	BOLT 6X25.....	2	REPLACES P/N 001220625
78	020106050	NUT M6.....	2	REPLACES P/N 020306050
80	464010020	ROD END M5	1	
81	001520520	SOCKET HEAD BOLT 5X20	1	
82	58151	WASHER, FLAT M5.....	1	REPLACES P/N 031105080
83	020305040	NUT M5	1	
84	956100070	THROTTLE WIRE	1	
85	506010070	CLAMP	1	
92	953409110	BRUSH CLIP	2	

# HAND PUMP (EXP.) ASSY.

©:O-RING,DUST SEAL SET  
(INCLUDES ITEMS W / Ref.No.16-19,26-28,52,53)

C

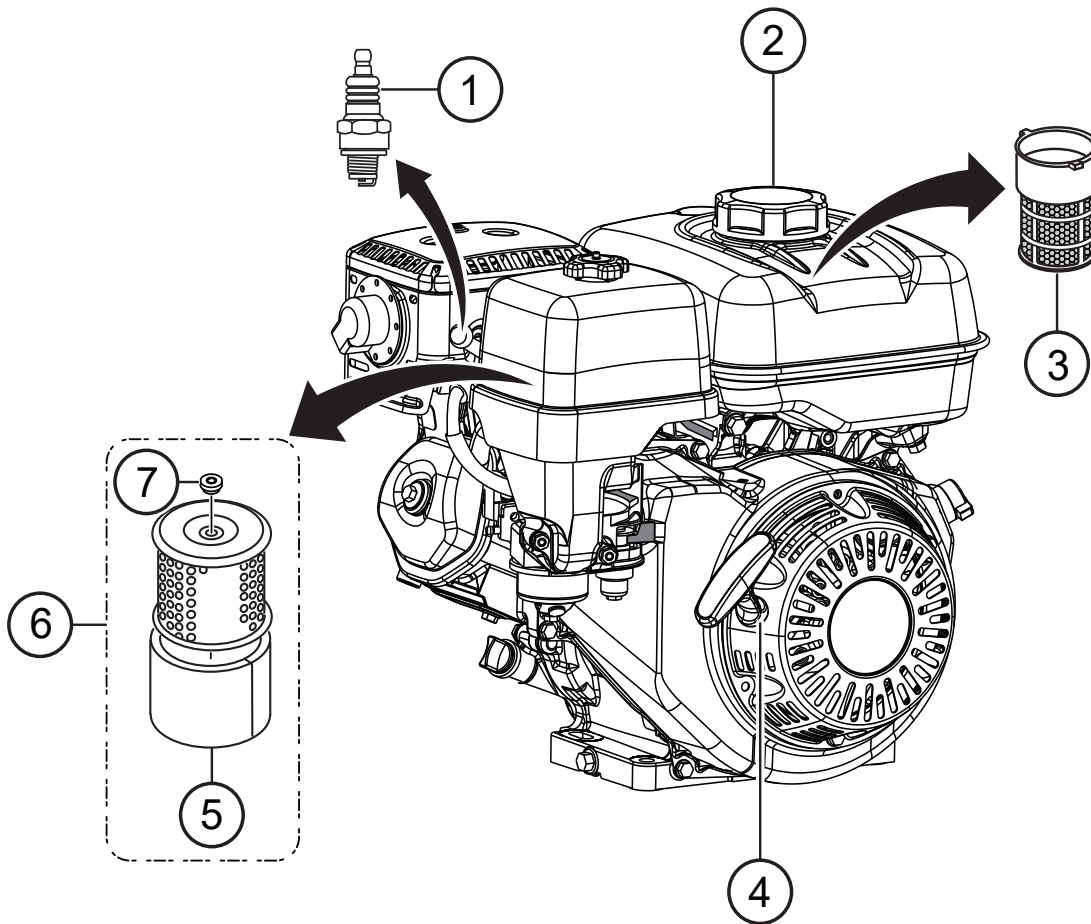
For disassembly (Option)



## HAND PUMP (EXP.) ASSY.

<u>NO.</u>	<u>PART NO.</u>	<u>PART NAME</u>	<u>QTY.</u>	<u>REMARKS</u>
A	469219180	HAND PUMP (EXP.) .....	1.....	INCLUDES ITEMS W/&
C	464910080	O-RING & DUST, SEAL, SET .....	1.....	INCLUDES ITEMS W/%
2&	464010040	CONTROL SHAFT (PUMP)	1	
3&	467010020	BUSH .....	2.....	INCLUDES ITEMS W/\$
4&	464010060	CAM (PUMP)	1	
9&	464010070	STOPPER (PUMP)	2	
10&	099205005	SOCKET HEAD SCREW 5X5	2	
11&	464010080	PLUG .....	1.....	INCLUDES ITEM W/@
12&	464010090	PIN, STOPPER (PUMP)	2	
13&	464010100	PLUG	2	
14&	458010080	BREATHER (PUMP) .....	1.....	INCLUDES ITEM W/#
15&	014206020	SOCKET HEAD BOLT 6X20.....	1.....	REPLACES P/N 001520620
16&\$	050200200	O-RING, P-20	2	
17&\$	050210220	O-RING, P-22 .....	2.....	REPLACES P/N 050200220
18&%@	050300380	O-RING, S-38	1	
19&%#	050200180	O-RING, P-18	1	
22&	464010111	ACCUMULATOR CASE .....	1.....	INCLUDES ITEMS W/+
26&%	050300400	O-RING, S-40	1	
27&%+	050200150	O-RING, P-15	1	
28&%+	050100400	O-RING, G-40	1	
50&	464010120	SPRING PLUG	1	
51	458451630	BREATHER CAP	1	
52&%+	069904010	DUST SEAL SER-40	1	
53&%+	069901010	DUST SEAL SER-15	1	
54&	468910030	ACCUMULATOR SPRING SET	1	
81	984010060	SPRING COMPRESSION TOOL/EXP	1	
82	984010040	DISASSEMBLING TOOL A	1	
83	984010050	DISASSEMBLING TOOL B	1	

# ENGINE SERVICE PARTS





## ENGINE SERVICE PARTS

---

<u>NO.</u>	<u>PART NO.</u>	<u>PART NAME</u>	<u>QTY.</u>	<u>REMARKS</u>
1	0650140480	SPARK PLUG (BPR6ES)	1	
2	17620Z4H900	CAP, FUEL TANK	1	
3	17672Z4H000	FUEL FILTER, FUEL TANK	1	
4	28462ZE3W01	ROPE, RECOIL STATER	1	
5#	17218Z1C780	FILTER, OUTER	1	
6	17210Z1C781	ELEMENT, AIR CLEANER .....	1.....	INCLUDES ITEMS W/#
7#	17232891000	GROMMET, AIR CLEANER	1	