

OPERATION AND PARTS MANUAL



Mikasa SERIES
MODEL MVH-406DSY
REVERSIBLE PLATE COMPACTOR
(YANMAR L-100V2AJ1R2AAS5 DIESEL ENGINE)

Revision #1 (08/13/07)

THIS MANUAL MUST ACCOMPANY THE EQUIPMENT AT ALL TIMES.

MIKASA MVH-406DSY REVERSIBLE PLATE COMPACTOR

Proposition 65 Warning	2
Table Of Contents	4
Parts Ordering Procedures	5
Safety Message Alert Symbols	6-7
Rules for Safe Operation	8-9
Operation and Safety Decals	10
Specifications	11
Dimensions	12
Features	13
Plate Compactor Components	14
Engine Components	15
Pre-Inspection	16-17
Operation	18-20
Maintenance	21-25
Troubleshooting (Engine)	26
Troubleshooting (Compactor)	27

PARTS ILLUSTRATIONS

Explanation Of Code In Remarks Column	28
Suggested Spare Parts	29
Nameplate and Decals	30-31
Vibrating Plate Assembly	32-33
Base and Engine Assembly	34-35
Vibrator Assembly	36-37
Control Handle Assembly	38-41
Hand Pump Assembly	42-43
Electric Device	44-45

Yanmar L-100V2AJ1R2AAS5 Diesel Engine

Cylinder Block Assembly	46-47
Cylinder Head and Cover Assembly	48-49
Muffler Assembly	50-51
Air Cleaner Assembly	52-53
Crankshaft, Piston and Camshaft Assembly	54-55
Lub. Oil Pump and Governor Assembly	56-57
Cooling and Starting Device Assembly	58-59
Fuel Injection Pump and Valve Assembly	60-61
Fuel Tank Assembly	62-63
Starting Motor and Dynamo Assembly	64-65
Tool, Label and Gasket Set Assembly	66-67
Accessories Assembly	68-69
Terms and Conditions Of Sale — Parts	70



Specifications and part numbers are subject to change without notice.

MVH-406DSY — EXPLANATION OF CODE IN REMARKS COLUMN

The following section explains the different symbols and remarks used in the Parts section of this manual. Use the help numbers found on the back page of the manual if there are any questions.

The contents and part numbers listed in the parts section are subject to change **without notice**. Multiquip does not guarantee the availability of the parts listed.

Sample Parts List:

NO.	PART NO.	PART NAME	QTY.	REMARKS
1	12345	BOLT	1	INCLUDES ITEMS W/*
2*		WASHER, 1/4 IN.		NOT SOLD SEPARATELY
2*	12347	WASHER, 3/8 IN. ...	1	MQ-45T ONLY
3	12348	HOSE	A/R	MAKE LOCALLY
4	12349	BEARING	1	S/N 2345B AND ABOVE

NO. Column

Unique Symbols - All items with same unique symbol (*, #, +, %, or >) in the number column belong to the same assembly or kit, which is indicated by a note in the "Remarks" column.

Duplicate Item Numbers - Duplicate numbers indicate multiple part numbers are in effect for the same general item, such as different size saw blade guards in use or a part that has been updated on newer versions of the same machine.



When ordering a part that has more than one item number listed, check the remarks column for help in determining the proper part to order.

PART NO. Column

Numbers Used - Part numbers can be indicated by a number, a blank entry, or TBD.

TBD (To Be Determined) is generally used to show a part that has not been assigned a formal part number at time of publication.

A blank entry generally indicates that the item is not sold separately or is not sold by Multiquip. Other entries will be clarified in the "Remarks" Column.

QTY. Column

Numbers Used - Item quantity can be indicated by a number, a blank entry, or A/R.

A/R (As Required) is generally used for hoses or other parts that are sold in bulk and cut to length.

A blank entry generally indicates that the item is not sold separately. Other entries will be clarified in the "Remarks" Column.

REMARKS Column

Some of the most common notes found in the "Remarks" Column are listed below. Other additional notes needed to describe the item can also be shown.

Assembly/Kit - All items on the parts list with the same unique symbol will be included when this item is purchased.

Indicated by:

"INCLUDES ITEMS W/(unique symbol)"

Serial Number Break - Used to list an effective serial number range where a particular part is used.

Indicated by:

"S/N XXXXX AND BELOW"

"S/N XXXX AND ABOVE"

"S/N XXXX TO S/N XXX"

Specific Model Number Use - Indicates that the part is used only with the specific model number or model number variant listed. It can also be used to show a part is NOT used on a specific model or model number variant.

Indicated by:

"XXXXX ONLY"

"NOT USED ON XXXX"

"Make/Obtain Locally" - Indicates that the part can be purchased at any hardware shop or made out of available items. Examples include battery cables, shims, and certain washers and nuts.

"Not Sold Separately" - Indicates that an item cannot be purchased as a separate item and is either part of an assembly/kit that can be purchased, or is not available for sale through Multiquip.

MVH-406DSY — SUGGESTED SPARE PARTS

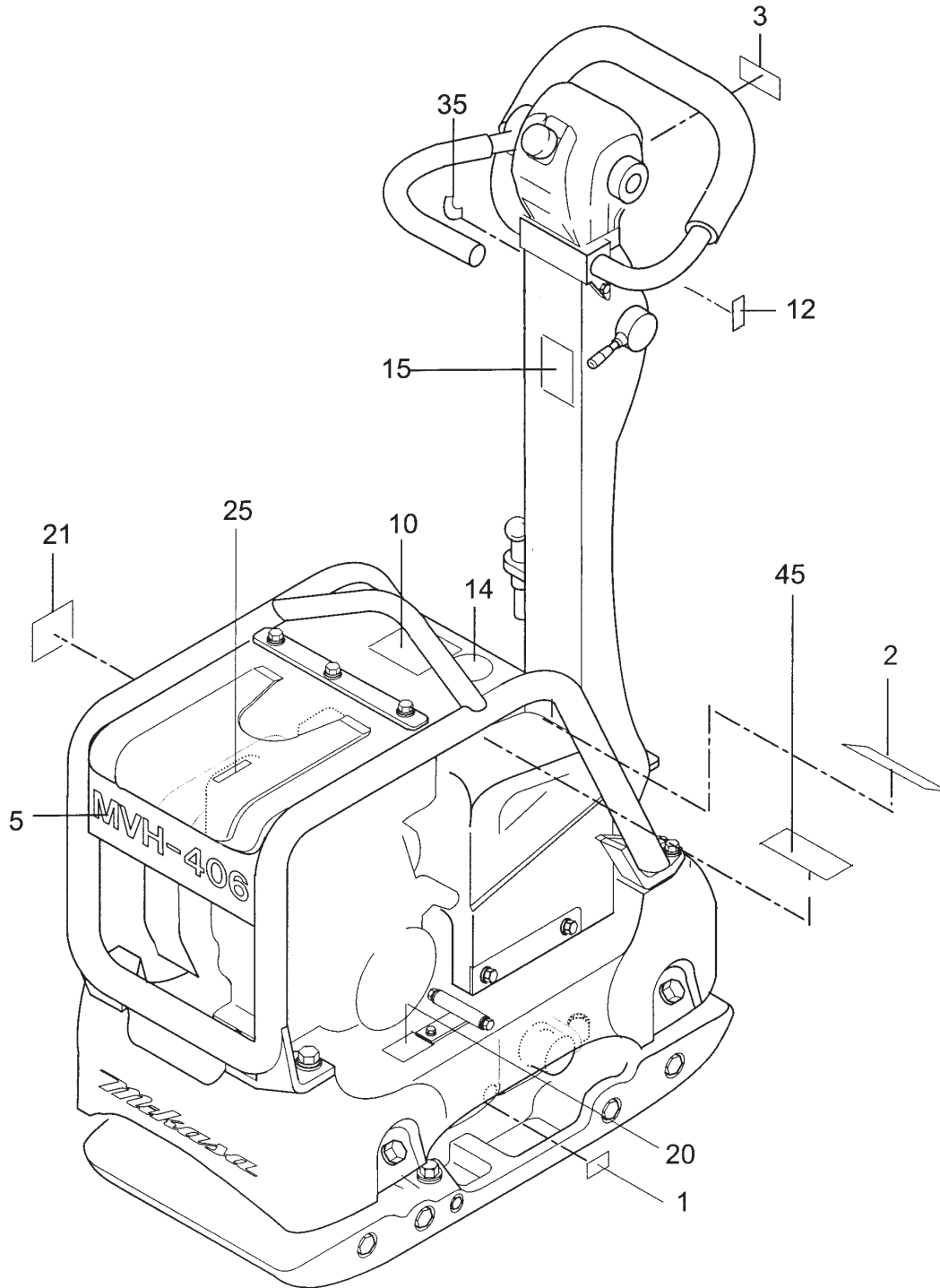
MVH-406DSYW/YANMAR L-100V2AJ1R2AAS5 DIESEL ENGINE

1 to 3 Units

Qty.	P/N	Description
2	956100054	THROTTLE WIRE
3	070200373	V-BELT
3	11425012590	ELEMENT ASSY.
1	11469976630	STARTER ROPE
3	11425055121	FUEL FILTER W/GASKET
1	11428855041	CAP, FUEL TANK W/ VALVE
1	11429935110	FILTER CMP, LUB OIL
1	11429955100	FUEL STRAINER

MVH-406DSY — NAMEPLATE AND DECALS

NAMEPLATE AND DECALS



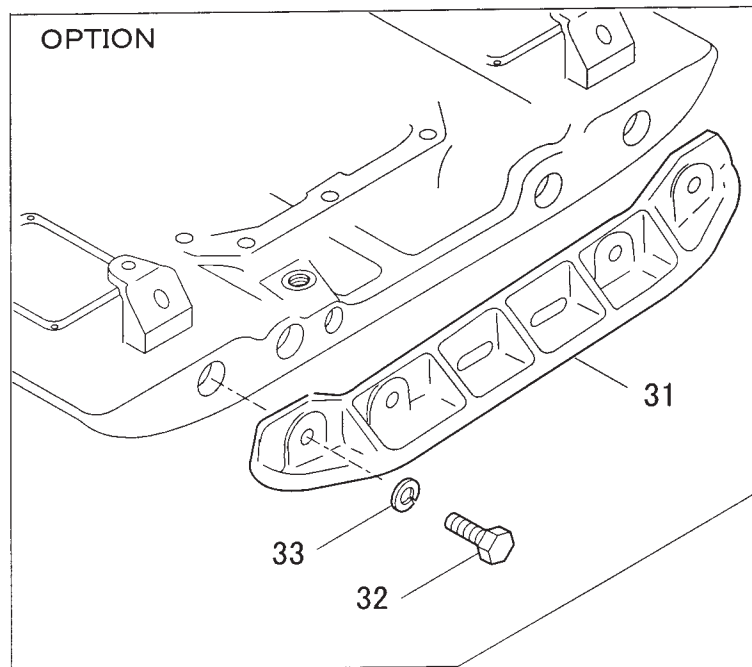
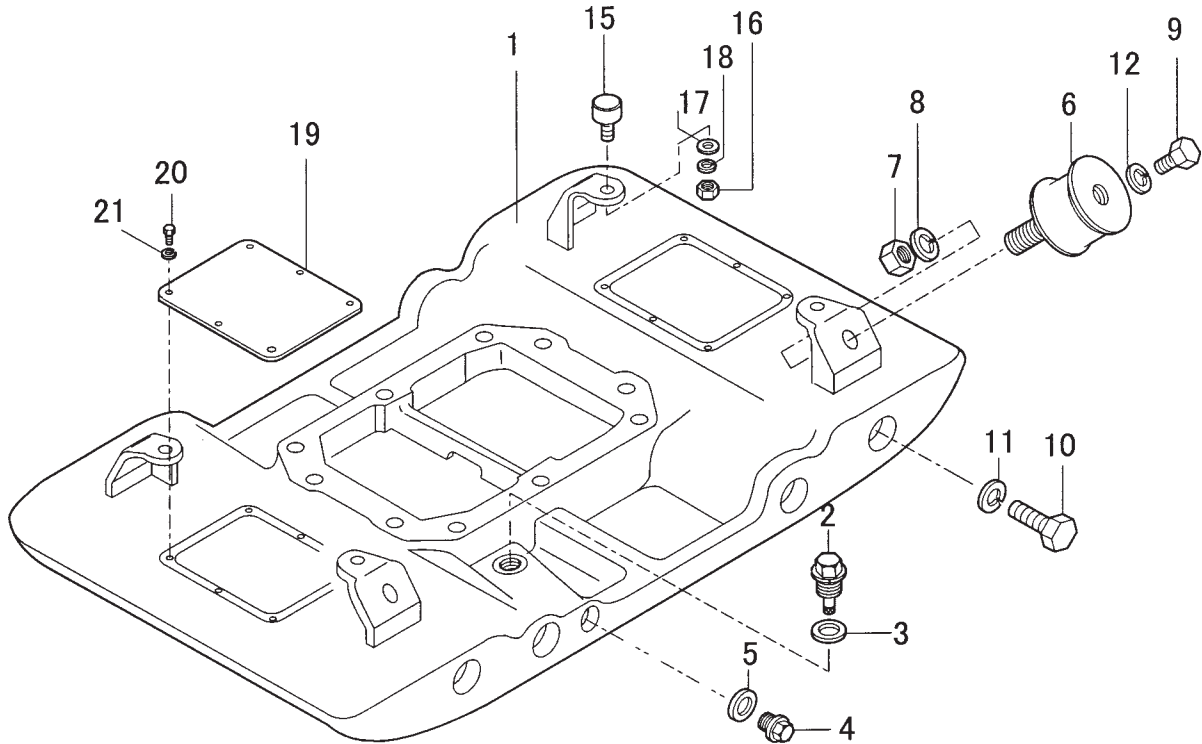
MVH-406DSY — NAMEPLATE AND DECALS

NAMEPLATE AND DECALS

<u>NO.</u>	<u>PART NO.</u>	<u>PART NAME</u>	<u>QTY.</u>	<u>REMARKS</u>
1	920201950	DECAL, OIL SAE 10W-30	1	NPA-195
2	920105070	DECAL, MIKASA MARK 125MM	1	
3	920211090	DECAL, SHELL TELLUS OIL 32	1	
5	920211640	DECAL, MODEL LOGO	1	
10	920209620	DECAL, CAUTION	1	NPA-962
12	920204580	DECAL, FULL THROTTLE	1	NPA-458
14	920203330	EAR PROTECTION LABEL	1	DCL-333
15	920211060	DECAL, CAUTION (TRAVEL LEVER)	1	NPA-1106
20		PLATE, SERIAL NO.	1	CONTACT PARTS DEPT.
21	920201580	DECAL, MQ MARK 71X55	1	
25	920211010	DECAL, V-BELT HDPF-5370	1	NPA-537
35	920106760	DECAL: STOP-RUN START	1	

MVH-406DSY VIBRATING PLATE ASSY.

VIBRATING PLATE ASSY.



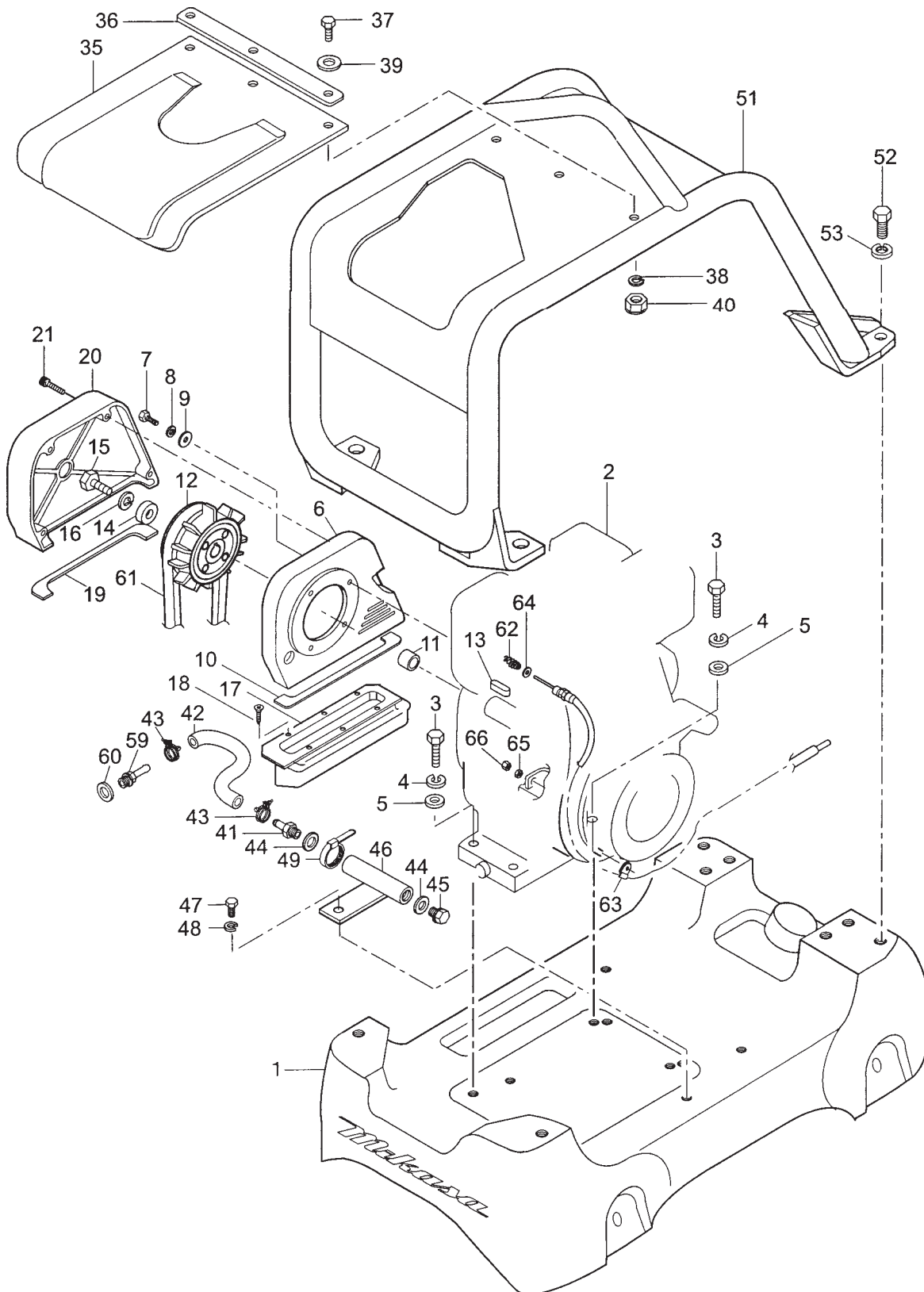
MVH-406DSY — VIBRATING PLATE ASSY.

VIBRATING PLATE ASSY.

<u>NO.</u>	<u>PART NO.</u>	<u>PART NAME</u>	<u>QTY.</u>	<u>REMARKS</u>
1	465118410	VIBRATING PLATE	1	
2	464458940	OIL GAUGE	1	
3	953402930	COPPER PACKING 19X30X1	1	
4	953400270	PLUG 1/4X14 10L	1	
5	953405260	PACKING 1/4 (CU)	1	
6	939010260	SHOCK ABSORBER 110X60H	4	
7	020316130	NUT M16	4	
8	030216400	WASHER, LOCK M16	4	
9	001221635	BOLT 16X35 T	4	
10	001221830	BOLT 18X30 T	8	
11	030218460	WASHER, LOCK M18	8	
12	030216400	WASHER, LOCK M16	4	
15	939010010	SHOCK ABSORBER, STOPPER 45	4	
16	020310080	NUT M10	4	
17	031110160	WASHER, FLAT M10	4	
18	030210250	WASHER, LOCK M10	4	
19	465345050	COVER, VIBRATING PLATE	2	
20	001220815	BOLT 8X15 T	12	
21	030208200	WASHER, LOCK M8	12	
31	456210690	EXTENSION PLATE	2	OPTION
32	001221850	BOLT 18X50 T	8	OPTION
33	030218460	WASHER, LOCK M18	8	OPTION

MVH-406DSY — BASE AND ENGINE ASSY.

BASE AND ENGINE ASSY.



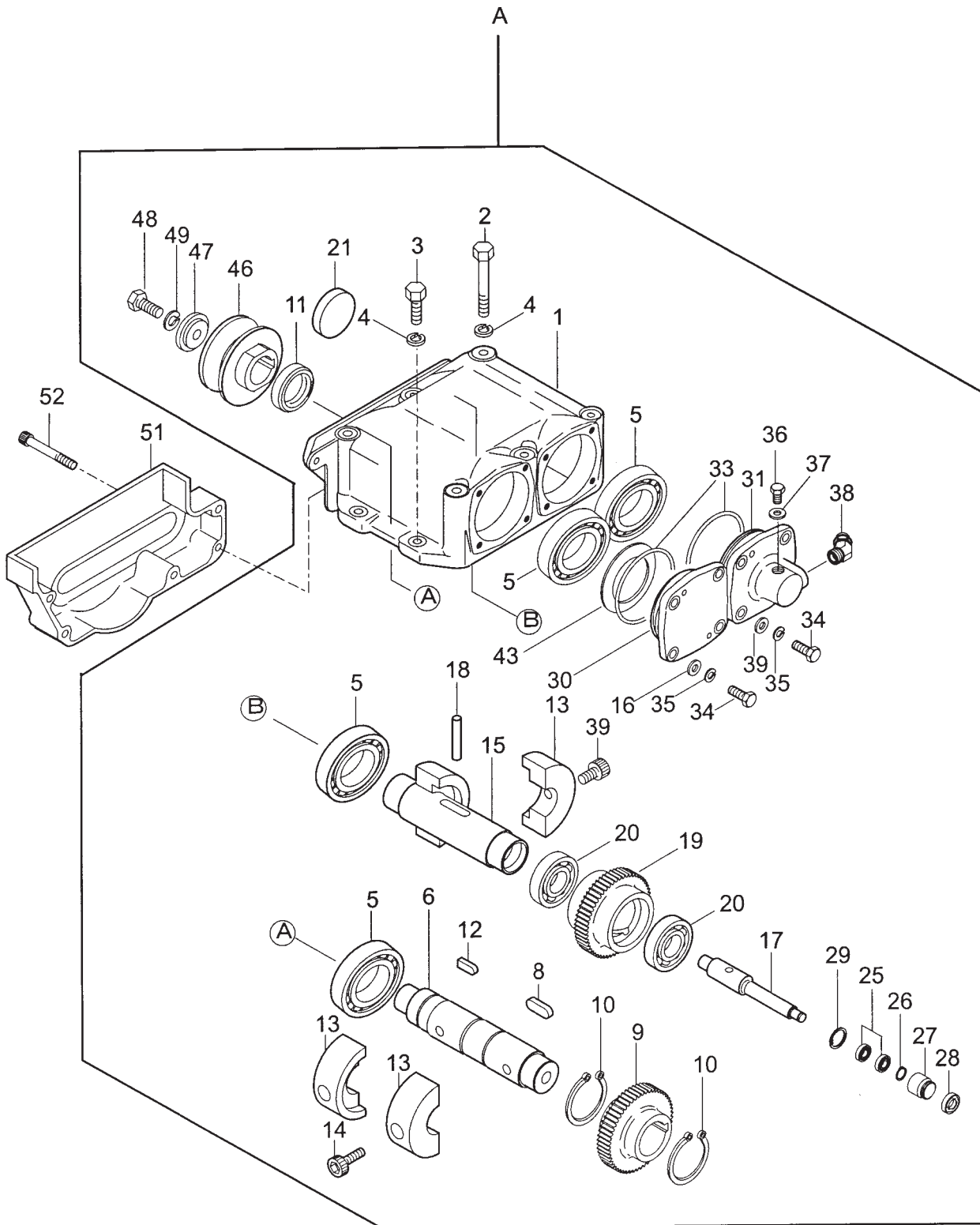
MVH-406DSY — BASE AND ENGINE ASSY.

BASE AND ENGINE ASSY.

<u>NO.</u>	<u>PART NO.</u>	<u>PART NAME</u>	<u>QTY.</u>	<u>REMARKS</u>
1	465118420	BASE	1	
2	914410027	ENGINE ASSY., L100V2AJ1R2AAS5	1	
3	001221045	BOLT 10X45 T	4	
4	030210250	WASHER, LOCK M10	4	
5	031110160	WASHER, FLAT M10	4	
6	465217020	BELT COVER (IN) L100	1	
7	001220825	BOLT 8X25 T	4	
8	030208200	WASHER LOCK M8	4	
9	031108160	WASHER, FLAT M8	4	
10	465345100	DUST- PROOF SPONGE (IN)	1	
11	464457360	SPACER	1	
12	456343340	CLUTCH AY/CHM03/W. FAN	1	
13	22512070360	KEY 7X36 RR	1	
14	952400690	WASHER 9X35X4.5	1	
15	001220830	BOLT 8X30 T	1	
16	030208200	WASHER, LOCK M8	1	
17	465216990	DUST-PROOF COVER	1	
18	092006010	FLAT HEAD SCREW 6X10	6	
19	465345110	DUST-PROOF SPONGE (OUT)	1	
20	465217000	BELT COVER (OUT)	1	
21	001521052	SOCKET HEAD BOLT 10X60 T	4	
35	464117920	RUBBER COVER (GUARD FRAME)	1	
36	456449950	PLATE, COVER	1	
37	001220830	BOLT 8X30 T	1	
38	030208200	WASHER, LOCK M8	3	
39	031108160	WASHER, FLAT M8	3	
40	022710809	NYLON NUT M8	3	
41	2556390111	UNION	1	
42	465459390	DRAIN HOSE	1	
43	0091720000	HOSE CLAMP	2	
44	0211140020	GASKET	2	
45	0401140030	PLUG	1	
46	464457380	DRAIN JOINT	1	
47	001220820	BOLT 8X20 T	1	
48	030208200	WASHER, LOCK M8	1	
49	454010020	CLAMP TC-100	1	
51	465118500	GUARD HOOK	1	
52	001221445	BOLT 14X45 T	4	
53	030214350	WASHER, LOCK M14	4	
59	459455560	UNION, OIL DRAIN	1	
60	22190160002	SEAL, WASHER 16S	1	
61	070200373	V-BELT	1	
62	2344600213	RETURN SPRING	1	
63	2067550101	CLAMP COMPLETE	1	
64	031105080	WASHER, FLAT M5	1	
65	020406040	NUT M6, H=4.2	1	
66	959406800	NUT M6 (SPECIAL-L10)	1	

MVH-406DSY — VIBRATOR ASSY.

VIBRATOR ASSY.



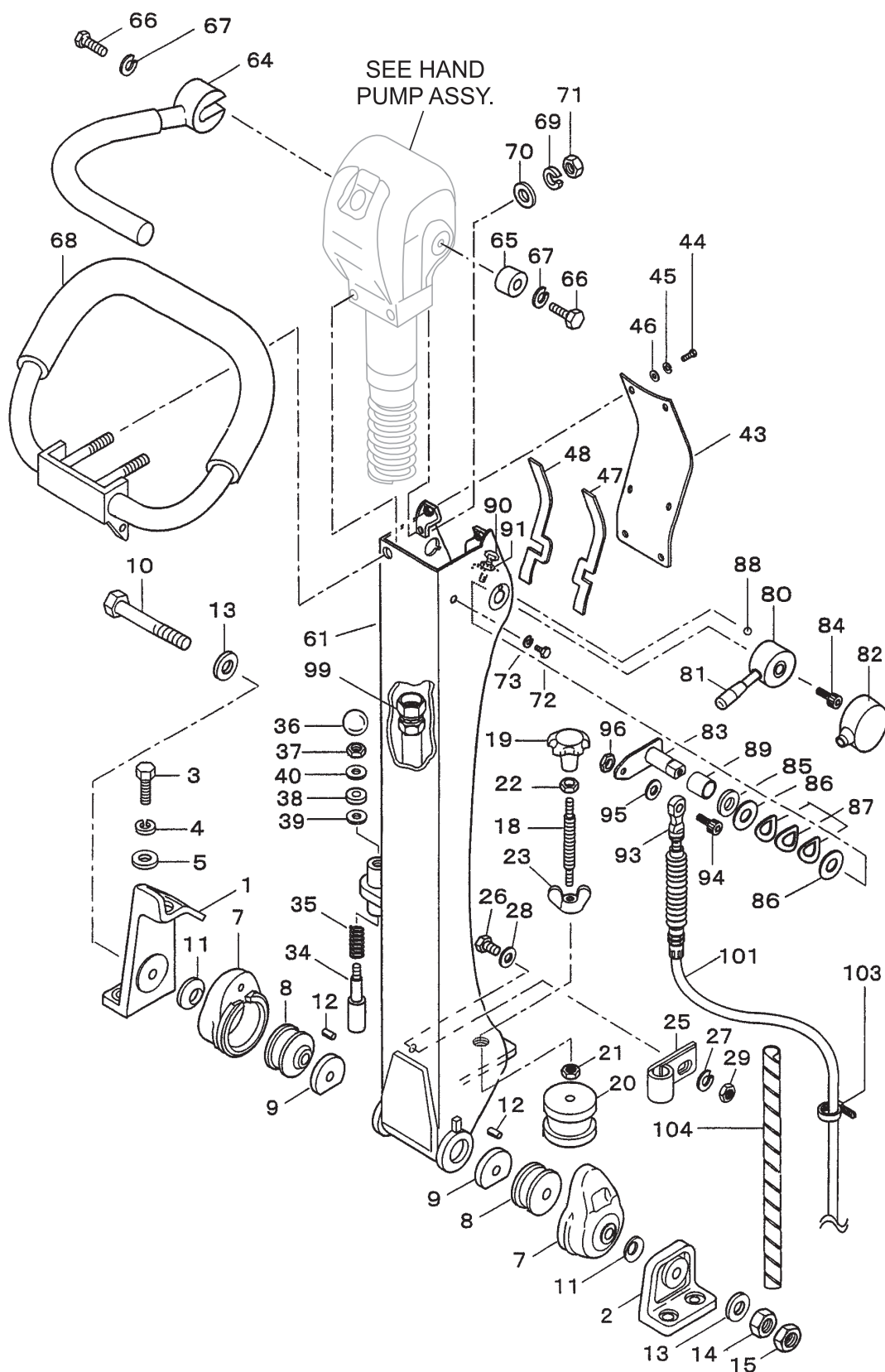
MVH-406DSY — VIBRATOR ASSY.

VIBRATOR ASSY.

<u>NO.</u>	<u>PART NO.</u>	<u>PART NAME</u>	<u>QTY.</u>	<u>REMARKS</u>
A	465910010	VIBRATOR ASSY.	1	INCLUDES ITEMS W/#
1#	464117880	VIBRATING CASE	1	
2#	001221470	BOLT14X150 T	6	
3#	001221450	BOLT 14X50 T	4	
4#	030214350	WASHER, LOCK M14	10	
5#	047920120	ROLLER BEARING NJ310EMC4	4	
6#	457212410	ROTARY SHAFT, DRIVE	1	
8#	951405370	KEY 15X10X39 RR	1	
9#	456327150	GEAR, DRIVE	1	
10#	080200550	STOP RING S-55	2	
11#	060105030	OIL SEAL SB-50729	1	
12#	951404970	KEY 12X8X30 R	1	
13#	465345030	ECCENTRIC ROTATOR	4	
14#	009120301	SOCKET HEAD BOLT 16X30 T	2	
15#	456337670	ROTARY SHAFT, DRIVEN/304B	1	
16#	009120302	SOCKET HEAD BOLT 16X30T	2	
17#	456337380	PISTON ROD	1	
18#	456010010	KNOCK PIN 10X70	1	
19#	464343720	GEAR (DRIVEN)	1	
20#	040006911	BEARING 6911	2	
21#	953010030	SEAL CAP/SC72-8N	1	
25#	042506000	BEARING 6000ZZSG	2	
26#	080200100	STOP RING S-10	1	
27#	455435051	PISTON, 22.4D	1	
28#	455010070	PACKING USH-22. 4X30X5	1	
29#	080100260	STOP RING R-26	1	
30V	456327130	BEARING COVER	1	
31#	456210636	CYLINDER (L)	1	
33#	050101050	O-RING G-105	2	
34#	001221025	BOLT 10X25 T	8	
35#	030210250	WASHER, LOCK M10	8	
36#	001220812	BOLT 8X12 T	1	
37#	953404600	COPPER PACKING 8X16X2	1	
38#	455010020	ELBOW 45 DEG. 15-0404	1	
39#	031110160	WASHER, FLAT M10	4	
43#	952405470	SHIM 90X110X0.5	2	
46#	465345090	PULLEY	1	
47#	456437920	WASHER, PULLEY	1	
48#	001221230	BOLT 12X30 T	1	
49#	030212300	WASHER, LOCK M12	1	
51	465217010	BELT COVER (LOWER)	1	
52	001520856	SOCKET HEAD BOLT 8X80 T	5	

MVH-406DSY — CONTROL ASSY.

CONTROL ASSY.



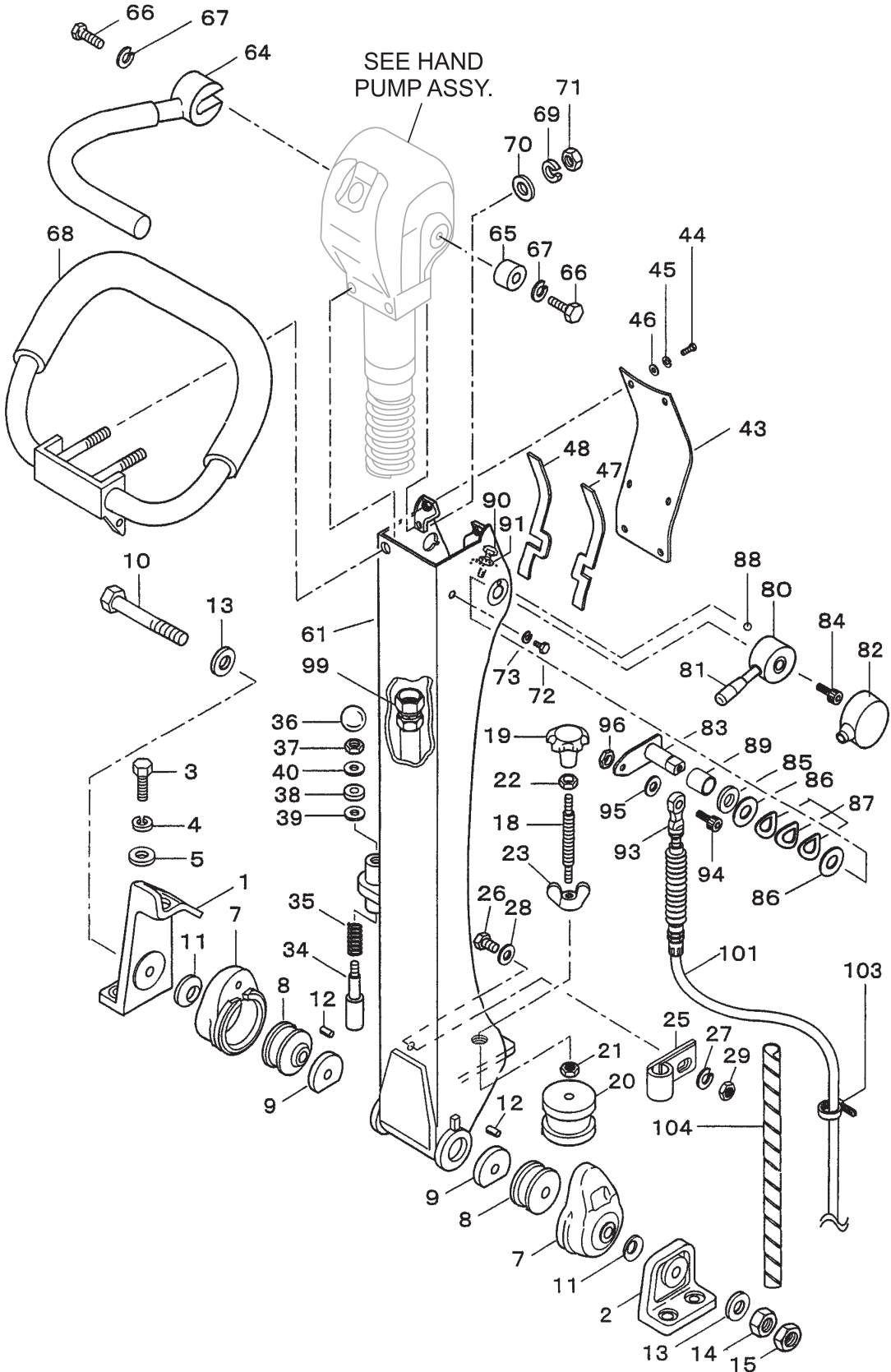
MVH-406DSY — CONTROL ASSY.

CONTROL ASSY.

<u>NO.</u>	<u>PART NO.</u>	<u>PART NAME</u>	<u>QTY.</u>	<u>REMARKS</u>
1	464343680	HANDLE BRACKET	1	
2	456336420	HANDLE BRACKET(R)	1	
3	001221235	BOLT 12X35 T	4	
4	030212300	WASHER, LOCK M12	4	
5	031112230	WASHER, FLAT M12	4	
7	456336400	RUBBER COUPLING	2	
8	456449940	SHOCK ABSORBER	2	
9	456449930	RUBBER PLATE	2	
10	001221681	BOLT 16X250 T	1	
11	032124400	CONICAL SPRING WASHER M24	2	
12	025406016	SPRING PIN 6X16	2	
13	031116260	WASHER, FLAT M16	2	
14	020316130	NUT M16	1	
15	020416100	NUT M16, H=10	1	
18	455434950	SPINDLE	1	
19	455010030	KNOB	1	
20	939010060	SHOCK ABSORBER 60	1	
21	020410060	NUT M10, H=6	1	
22	020412070	NUT M12, H=7	1	
23	022411635	WING NUT M16	1	
25	954404230	CLAMP SA120-18	1	
26	001220620	BOLT 6X20 T	1	
27	030206150	WASHER, LOCK M6	1	
28	031106100	WASHER, FLAT M6	1	
29	020306050	NUT M6	1	
34	501402870	HANDLE STOPPER	1	
35	501402880	SPRING/HANDLE (1.4X18X44)	1	
36	959403460	BALL GRIP 32D-M10	1	
37	020410060	NUT M10, H=6	1	
38	456449980	RUBBER PACKING 9D-20D-5T	1	
39	953405260	PACKING 1/4 (CU)	1	
40	031110160	PW M10	1	
43	464343690	HANDLE COVER	1	
44	001220615	BOLT 6X15 T	6	
45	030206150	WASHER, LOCK M6	6	
46	031106100	WASHER, FLAT M6	6	
47	464457710	PACKING A, HANDLE COVER	1	
48	464457720	PACKING B, HANDLE COVER	1	
61	464117890	HANDLE	1	
64	464216630	TRAVEL LEVER	1	
65	464457400	HANDLE BOSS	1	
66	001221030	BOLT 10X30 T	2	
67	030210250	WASHER, LOCK M10	2	
68	464216620	GRIP	1	

MVH-406DSY — CONTROL ASSY.(CONTINUED)

CONTROL ASSY.



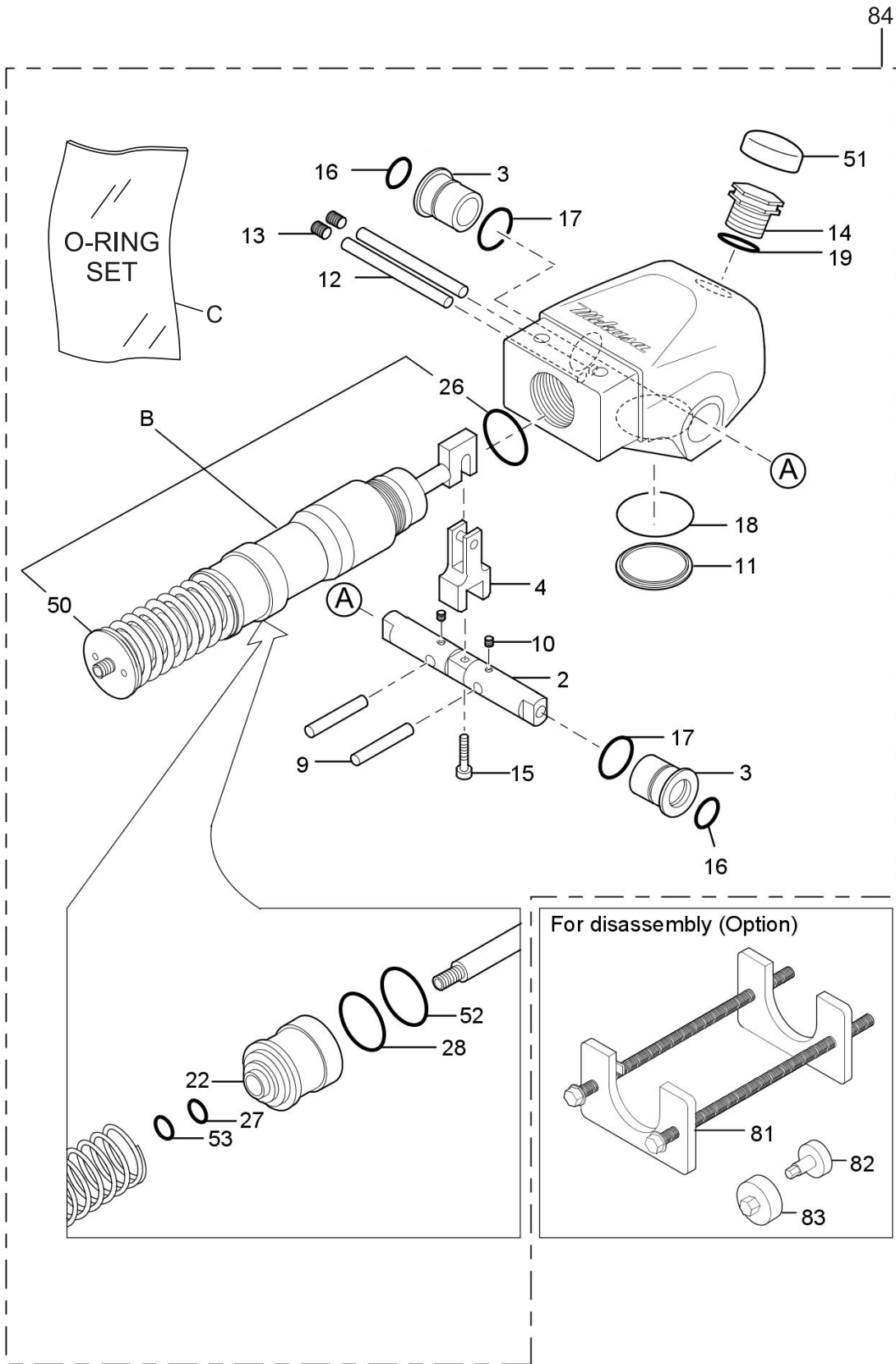
MVH-406DSY — CONTROL ASSY. (CONTINUED)

CONTROL ASSY.

<u>NO.</u>	<u>PART NO.</u>	<u>PART NAME</u>	<u>QTY.</u>	<u>REMARKS</u>
69	030210250	WASHER, LOCK M10	2	
70	031110160	WASHER, FLAT M10	2	
71	020310080	NUT M10	2	
72	001220825	BOLT 8X25 T	2	
73	030208200	WASHER, LOCK M8	2	
80	464457340	THROTTLE LEVER	1	
81	959403840	BAR GRIP, I.D. 12MM	1	
82	464457420	COVER, THROTTLE LEVER	1	
83	464457350	ARM, THROTTLE	1	
84	001520820	SOCKET HEAD BOLT 8X20 T	1	
85	031116260	WASHER, FLAT M16	1	
86	458450660	WASHER 16.4-35-0.6	2	
87	033910080	CONICAL SW 16,3X31.5X1.2	3	
88	464457440	STEEL BALL D6 (SUJ)	1	
89	464010010	DRY BUSHING /LFB-1620	1	
90	001220625	BOLT 6X25 T	2	
91	020306050	NUT M6	2	
93	464010020	ROD END M5	1	
94	001520520	SOCKET HEAD BOLT 5X20 T	1	
95	031105080	WASHER, FLAT M5	1	
96	020305040	NUT M5	1	
97	464457930	RUBBER PIECE (T2)	1	
99	954002270	OIL HOSE W/SPRING 1/4X920	1	
101	956100054	THROTTLE WIRE	1	
103	454010020	CLAMP TC-100	1	
104	959021810	SPIRAL TUBE KEP6/L=500	1	

MVH-406DSY — HAND PUMP ASSY.

HAND PUMP ASSY.



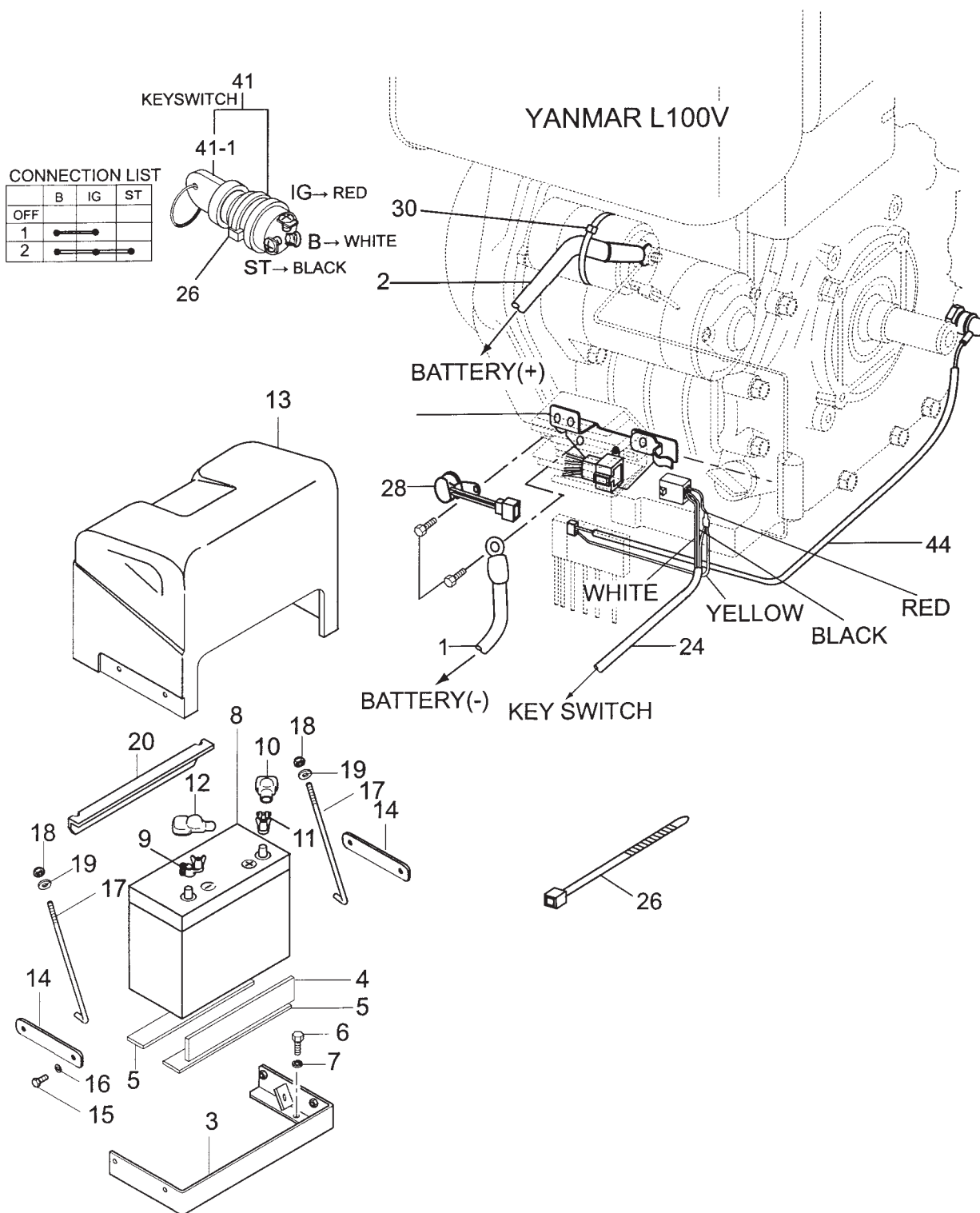
MVH-406DSY — HAND PUMP ASSY.

HAND PUMP ASSY.

<u>NO.</u>	<u>PART NO.</u>	<u>PART NAME</u>	<u>QTY.</u>	<u>REMARKS</u>
B*	465910070	ACCUMULATOR	1	
C*	464910080	O-RING DUST,SEAL,SET	1	INCLUDES ITEMS W/#
2*	464010040	CONTROL SHAFT	1	
3*	464010050	BUSH	2	
4*	464010060	CAM	1	
9*	464010070	STOPPER	2	
10*	099205005	SOCKET HEAD SCREW 5X5 T	2	
11*	464010080	PLUG	1	
12*	464010090	PIN,STOPPER	2	
13*	464010100	PLUG	2	
14*	458010080	BREATHER	1	
15*	001520620	SOCKET HEAD BOLT 6X20 T	1	
16#*	050200200	O-RING P-20	2	
17#*	050200220	O-RING P-22	2	
18#*	050300380	O-RING S-38	1	
19#*	050200180	O-RING P-18	1	
22*	464010111	ACCUMULATOR CASE	1	
26#*	050300400	O-RING S-40	1	
27#*	050200150	O-RING P-15	1	
28#*	050100400	O-RING G-40	1	
50*	464010120	SPRING PLUG	1	
51*	458451630	BREATHER CAP	1	
52#*	069904010	DUST SEAL SER-40	1	
53#*	069901010	DUST SEAL SER-15	1	
81	984010030	SPRG.COMPRESSION TOOL	1	
82	984010040	DISASSEMBLING TOOL A	1	
83	984010050	DISASSEMBLING TOOL B	1	
84	465217100	HAND PUMP ASSY	1	INCLUDES ITEMS W/*

MVH-406DSY — ELECTRIC DEVICE ASSY.

ELECTRIC DEVICE ASSY.



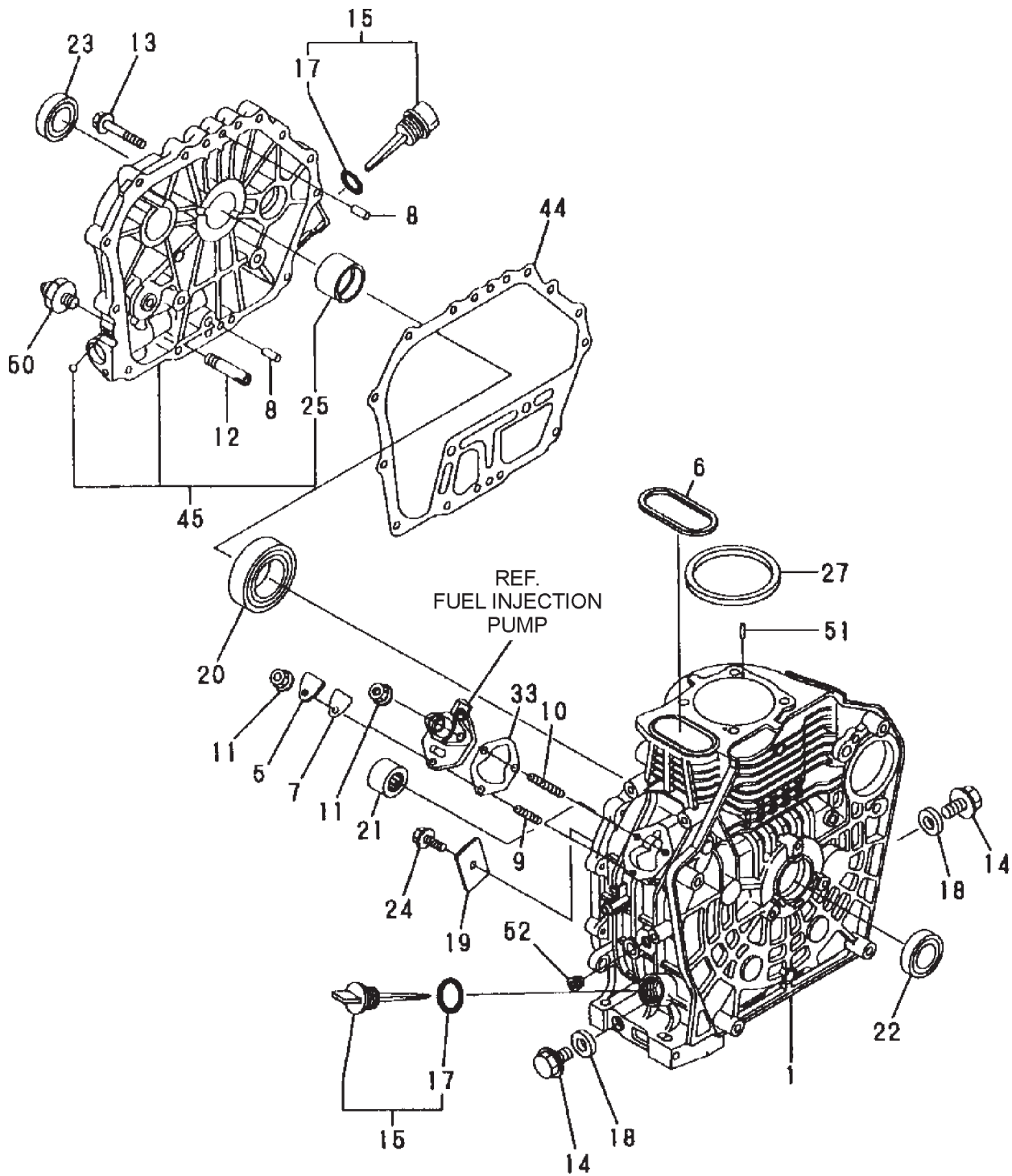
MVH-406DSY — ELECTRIC DEVICE ASSY.

ELECTRIC DEVICE ASSY.

<u>NO.</u>	<u>PART NO.</u>	<u>PART NAME</u>	<u>QTY.</u>	<u>REMARKS</u>
1	464457460	BATTERY CORD (-) 400L	1	
2	464457470	BATTERY CORD (+)550L	1	
3	464216660	CRADLE, BATTERY	1	
4	456447590	RUBBER PLATE (E) 28X240X5	1	
5	456447600	RUBBER PLATE 50X240X10	2	
6	001221020	BOLT 10X20 T	2	
7	030210250	SWASHER, LOCK M10	2	
8	955010020	BATTERY 46B24L	1	
9	955300490	BATTERY TERMINAL (-)	1	
10	955300470	TERMINAL COVER (-)	1	
11	955300480	BATTERY TERMINAL (+)	1	
12	955300460	TERMINAL COVER (+)	1	
13	464021020	COVER, BATTERY	1	
14	464457410	FIXED PLATE, BATTERY COVER	2	
15	001220825	BOLT 8X25 T	4	
16	030208200	WASHER, LOCK M8	4	
17	464457390	BATTERY BOLT	2	
18	022710809	NYLON NUT M8	2	
19	031108160	WASHER, FLAT M8	2	
20	464343740	HOLDER, BATTERY	1	
24	464459260	WIRE COMPLETE	1	
26	454010020	CLAMP TC-100	3	
28	955300400	BUZZER (EBL)	1	
30	506010070	CLAMP TC-150	1	
41	955300680	STARTER SWITCH ASSY.	1	INCLUDES ITEMS W/#
41-1#	955000010	KEY (STARTER SWITCH)	1	

YANMAR L-100V2AJ1R2AAS5 — CYLINDER BLOCK ASSY.

CYLINDER BLOCK ASSY.



YANMAR L-100V2AJ1R2AAS5 — CYLINDER BLOCK ASSY.

CYLINDER BLOCK ASSY.

<u>NO.</u>	<u>PART NO.</u>	<u>PART NAME</u>	<u>QTY.</u>	<u>REMARKS</u>
1	11431001020	BLOCK ASSY. CYLINDER	1	
5	11429901830	COVER, PUMP	1	
6	11469901380	O-RING	1	
7	11425001841	GASKET	1	
8%	11429901600	PIN, 8X12	2	
9	26226060182	STUD M 6X18 PLATED	1	
10	26226060222	STUD M 6X22 PLATED	2	
11	26366060002	NUT M6	3	
12%	11429935150	PIPE, L.O. INLET	1	
13	26106080352	BOLT M 8X35 PLATED	16	
14	11429901690	PLUG M16	2	
15	11469901760	CAP, W/LUB. OIL GAUGE	2	INCLUDES ITEMS W/#
17#	11429901950	O-RING	2	
18	22190160002	SEAL WASHER 16S	2	
19	11429902030	RETAINER	1	
20	11465002150	BALL BEARING	1	
21	24162152220	NEEDLE 152220	1	
22	24423355008	SEAL, OIL	1	
23	24423355008	SEAL, OIL	1	
24	26106080122	BOLT M 8X12 PLATED	1	
25%	11465002100	MAIN BEARING (STD.)	1	
25	11465002200	MAIN BEARING (US=0.25)	1	
25	11465002210	MAIN BEARING (US=0.50)	1	
27	11469501330	GASKET ASSY. CYL. HEAD	1	
33	11429901800	SHIM SET	1	
44	11469901410	GASKET, CRANKCASE	1	
45	11431001450	COVER (D, CRANKCASE)	1	INCLUDES ITEMS W/%
50	12125239450	SENDER, OIL PRESSURE	1	
51	22312040080	PIN 4X8, STRAIGHT	2	
52	23875020000	PLUG PT1/4, STEEL	1	

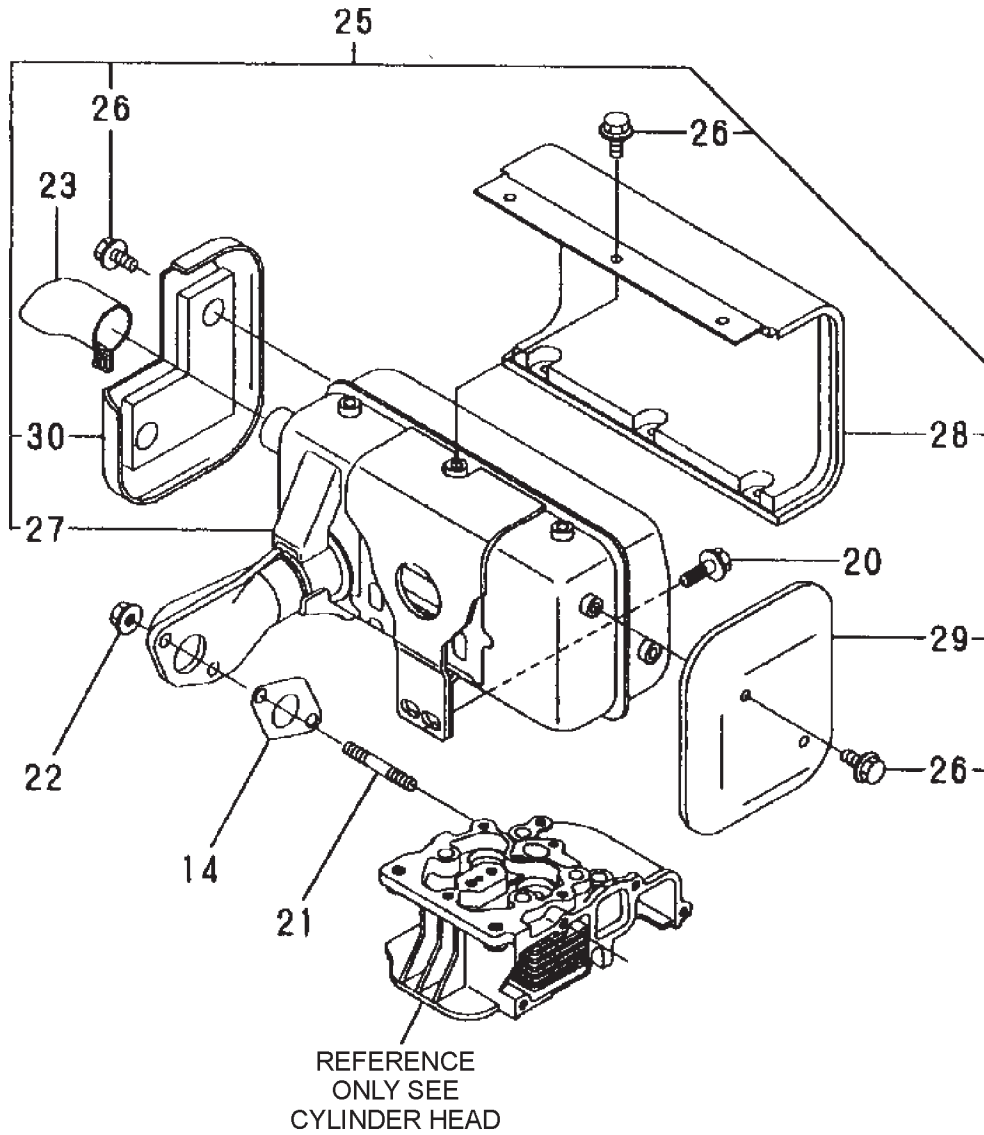
YANMAR L-100V2AJ1R2AAS5 — CYLINDER HEAD AND COVER ASSY.

CYLINDER HEAD AND COVER ASSY.

<u>NO.</u>	<u>PART NO.</u>	<u>PART NAME</u>	<u>QTY.</u>	<u>REMARKS</u>
1	11431001200	BOLT, CYLINDER HEAD A	2	
2	11431001210	BOLT, CYLINDER HEAD B	2	
3	11431011020	HEAD ASSY. CYLINDER	1	
7	11431011100	VALVE, INTAKE	1	
8	11431011110	VALVE, EXHAUST	1	
9	11431011120	SPRING, VALVE	2	
10	11421011180	RETAINER, SPRING	2	
11	11431011930	COTTER ASSY.	2	
13	11421011900	RETAINER, NOZZLE	1	
14	11431011250	SUPPORT, ASSY. ROCKER	1	INCLUDES ITEMS W/%
15%	11431011260	SUPPORT, ROCKER ARM	1	
16%	11431011280	C TYPE RETAINING RIN	2	
17%	11431011650	ARM ASSY. INTAKE	1	INCLUDES ITEMS W/>
19>	11429911240	SCREW, ADJUSTING	1	
20>	26856060002	LOCK NUT 6	1	
21%	11431011660	ARM ASY, EXHAUST	1	INCLUDES ITEMS W/*
23*	11429911240	SCREW, ADJUSTING	1	
24*	26856060002	LOCK NUT 6	1	
25	11465011340	SEAL, VALVE STEM	2	
26	10421111370	CAP, VALVE	2	
27	11477111461	GASKET , NOZZLE	1	
28	11429511470	SPACER, NOZZLE	1	
29	11469911600	WASHER	2	
30	22351040008	SPRING PIN 4X8	1	
31	26106080502	BOLT M 8X50 PLATED	2	
32	26226060552	STUD M6X55 PLATED	2	
33	26366060002	NUT M6	2	
34	11431011310	GASKET, BONNET	1	
35	26106060652	BOLT M 6X65 PLATED	3	
36	11431011950	BONNET ASSY., HEAD	1	INCLUDES ITEMS W/#
38#	11421003590	SHAFT ASSY., DECOMP.	1	
41#	11429903640	SPRING, DECOMP.	1	
43#	22312030160	PARALLEL PIN 3X16	1	

YANMAR L-100V2AJ1R2AAS5 — MUFFLER ASSY.

MUFFLER ASSY.



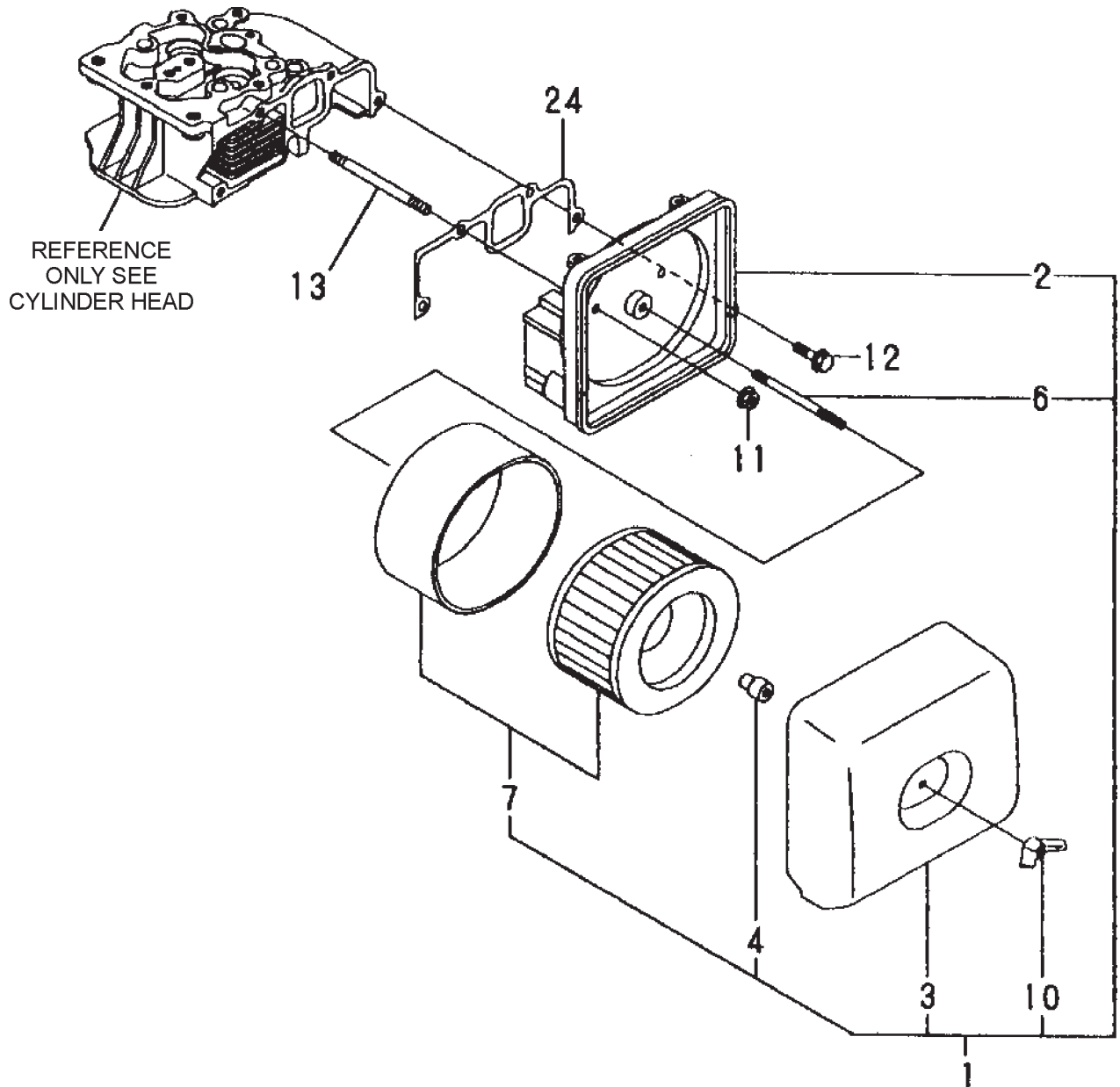
YANMAR L-100V2AJ1R2AAS5 — MUFFLER ASSY.

MUFFLER ASSY.

<u>NO.</u>	<u>PART NO.</u>	<u>PART NAME</u>	<u>QTY.</u>	<u>REMARKS</u>
14	11431013200	GASKET, MUFFLER	1	
20	26106080202	BOLT M 8X20 PLATED	2	
21	26216080182	STUD M 8X18 PLATED	2	
22	26366080002	NUT M8	2	
23#	11469913800	EXTENSION, EXH.	1	
25	11467413551	MUFFLER ASSY.	1	INCLUDES ITEMS W/#
26#	16026001580	BOLT M6X 6	10	
27#	11467413511	MUFFLER	1	
28#	18338213700	COVER, MUFFLER	1	
29#	11497013710	COVER, MUFFLER	1	
30#	11497313710	COVER, MUFFLER	1	

YANMAR L-100V2AJ1R2AAS5 — AIR CLEANER ASSY.

AIR CLEANER ASSY.



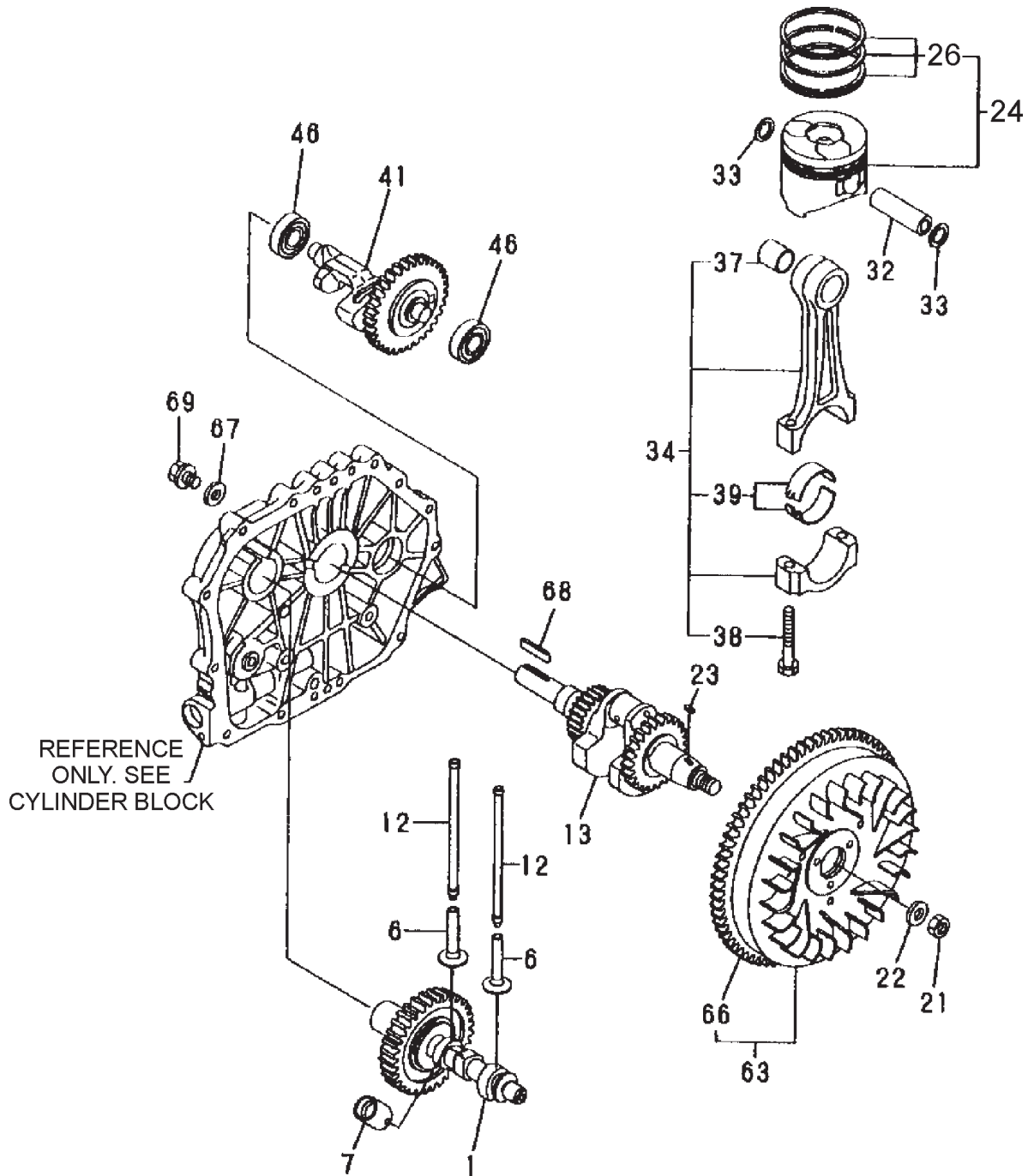
YANMAR L-100V2AJ1R2AAS5 — AIR CLEANER ASSY.

AIR CLEANER ASSY.

<u>NO.</u>	<u>PART NO.</u>	<u>PART NAME</u>	<u>QTY.</u>	<u>REMARKS</u>
1	11431012510	CLEANER ASSY., AIR	1	INCLUDES ITEMS W/#
2#	11431012020	BODY, AIR CLEANER	1	
3#	11421012520	COVER, AIR CLEANER	1	
4#	11421012560	NUT, WING	1	
6#	11421012580	STUD BOLT	1	
7#	11421012590	ELEMENT ASSY.	1	
10#	11421012600	KNOCKING KNOB	1	
11	11429912300	U-NUT	3	
12	26106060402	BOLT M 6X40 PLATED	1	
13	26226060352	STUD M 6X35 PLATED	3	
24	11431012210	GASKET, AIR CLEANER	1	

YANMAR L-100V2AJ1R2AAS5 — CRANKSHAFT, PISTON & CAMSHAFT ASSY.

CRANKSHAFT, PISTON AND CAMSHAFT ASSY.



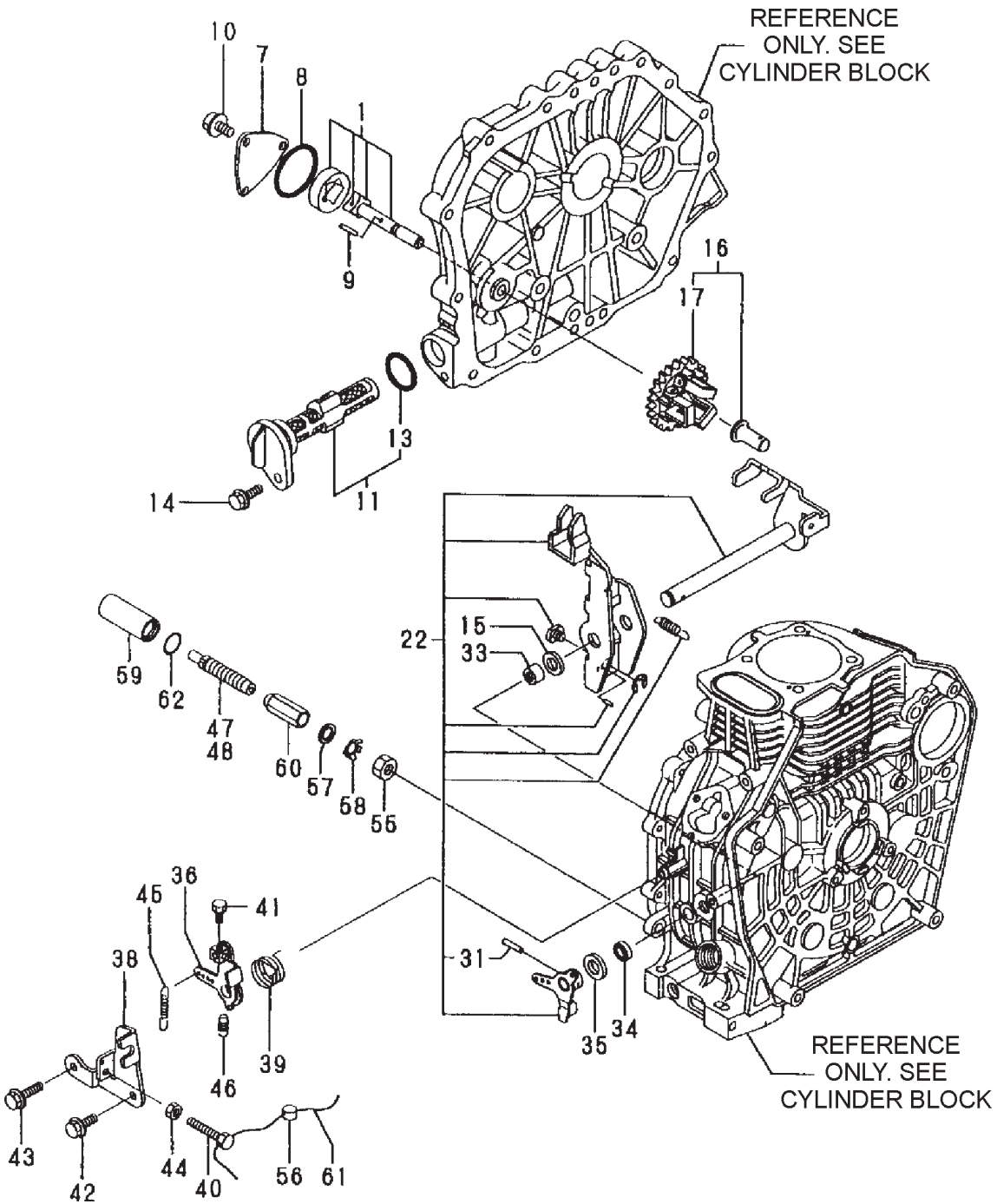
YANMAR L-100V2AJ1R2AAS5 — CRANKSHAFT, PISTON & CAMSHAFT ASSY.

CRANKSHAFT, PISTON AND CAMSHAFT ASSY.

<u>NO.</u>	<u>PART NO.</u>	<u>PART NAME</u>	<u>QTY.</u>	<u>REMARKS</u>
1	71431014580	CAMSHAFT ASSY.	1	
6	11431014200	TAPPET	2	
7	11421014300	TAPPET ASSY., ROLLER	1	
12	11431014400	ROD ASSY., PUSH	2	
13	71431021740	CRANKSHAFT D ASSY.	1	
21	11469921220	NUT	1	
22	11469921550	WASHER, FLYWHEEL	1	
23	22512050140	KEY 5X 14	1	
24	71431022720	PISTON, W/RINGS (STD.)	1	INCLUDES ITEM W/#
24	71431022620	PISTON, W/RINGS (OS=.25)	1	INCLUDES ITEM W/%
24	71431022580	PISTON, W/RINGS (OS=0.5)	1	INCLUDES ITEM W/+
26#	71431022500	RING SET, PISTON (STD.)	1	
26%	71431022540	RING SET, PISTON (O.S=0.25)	1	
26+	71431022550	RING SET, PISTON (O.S=0.50)	1	
32	11469922300	PIN, PISTON D=23	1	
33	12979222400	CIRCLIP 23	2	
34	71431023700	ROD ASSY., CONNECTING	1	INCLUDES ITEM W/\$
37	12406023100	BUSH, PISTON PIN	1	
38	11981023200	BOLT, CONNECTING ROD	2	
39\$	71465023600	BEARING, PIN (STD)	1	
39	71465023610	BEARING, PIN (U.S=0.25)	1	
39	71465023620	BEARING, PIN (U.S=0.50)	1	
41	71431028510	SHAFT ASSY, BALANCER	1	
46	24101063040	BALL BEARING	2	
63	11469921590	FLYWHEEL, ASSY.	1	INCLUDES ITEM W/>
66>	11466221601	GEAR, RING	1	
67	16031014550	WASHER	1	
68	22512070360	KEY 7X36	1	
69	26106080202	BOLT M 8X20 PLATED	1	

YANMAR L-100V2AJ1R2AAS5 — LUB. OILPUMP AND GOVERNOR ASSY.

LUB. OIL PUMP AND GOVERNOR ASSY.



YANMAR L-100V2AJ1R2AAS5 — LUB. OILPUMP AND GOVERNOR ASSY.

LUB. OIL PUMP AND GOVERNOR ASSY.

<u>NO.</u>	<u>PART NO.</u>	<u>PART NAME</u>	<u>QTY.</u>	<u>REMARKS</u>
1	11465032010	PUMP ASSY., LUB. OIL	1	
7	11429932070	COVER, LUB. OIL PUMP	1	
8	11429932570	O-RING, COVER	1	
9	22312030160	PARALLEL PIN 3X16	1	
10	26106060122	BOLT M 6X12 PLATED	3	
11	11429935110	FILTER CMP. LUB. OIL	1	INCLUDES ITEM W/#
13#	24341000224	O-RING 1A S-22.4	1	
14	26106060162	BOLT M 6X16 PLATED	1	
15*	11429961190	WASHER, GOVERNOR	1	
16	71421061700	GOVERNOR ASSY.....	1	INCLUDES ITEM W/%
17%	11421061290	WEIGHT ASSY., GOVERNOR	1	
22	11431161500	LEVER ASSY., GOVERNOR	1	INCLUDES ITEM W/*
31*	22322030200	TAPER PIN 3X20	1	
33*	11477061520	BEARING, NEEDLE	2	
34	11429961600	SEAL, OIL	1	
35	11477061610	WASHER, THRUST	1	
36	11425266051	HANDLE, REGULATOR	1	
38	18336066110	BRACKET, REGULATOR	1	
39	11429966250	SPRING, RETURN	1	
40	11429966440	BOLT, ADJUSTING	1	
41	10522566990	SCREW	1	
42	26106060142	BOLT M 6X14 PLATED	1	
43	26106060202	BOLT M 6X20 PLATED	1	
44	26757060002	NUT 6	1	
45	11431066010	SPRING, REGULATOR	1	
46	11429966200	SPRING, RETURN	1	
47	11465066750	TORQUE SPRING ASSY.	1	
48	11425066550	TORQUE SPRING ASSY.	1	
55	26776100002	LOCK NUT M10 PLATED	1	
56	13521061090	LEAD	1	
57	11477161800	WASHER	1	
58	11477161820	PLATE	1	
59	11477161900	PROTECTOR	1	
60	11477161931	NUT	1	
61	22451060000	WIRE 0.6	1	
62	24311000125	O-RING 1A P-12.5	1	

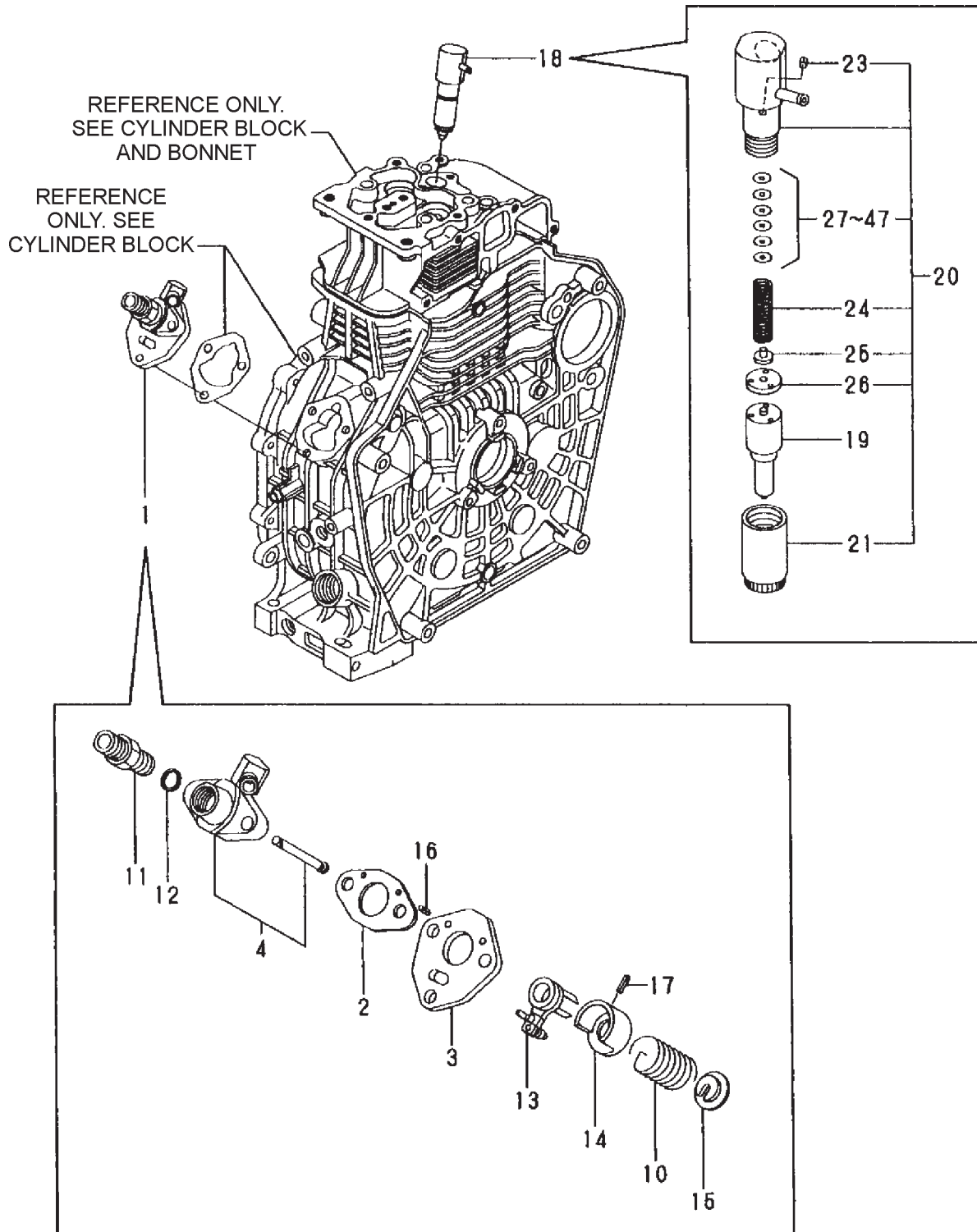
YANMAR L-100V2AJ1R2AAS5 — COOLING AND STARTING DEVICE ASSY.

COOLING AND STARTING DEVICE ASSY.

<u>NO.</u>	<u>PART NO.</u>	<u>PART NAME</u>	<u>QTY.</u>	<u>REMARKS</u>
1	11429945220	GROMMET, TANK	5	
2	11431045260	COVER B, SIDE (13)	1	
3	11431045270	COVER A, SIDE (13)	1	
4	11431045300	COVER, TOP (BLACK) (13)	1	
5	11431045310	DAMPER	1	
6	11439945320	RUBBER, SEAL	1	
7	11439945340	COLLAR, CYL. COVER	5	
8	11431045350	SPACER, TOP COVER	1	
9	26106060082	BOLT M 6X8 PLATED	4	
10	26106060202	BOLT M 6X20 PLATED	4	
11	26226060752	STUD M 6X75	1	
12	26366060002	NUT M 6	1	
13	11429945300	RUBBER, CUSHION	4	
14	11429945310	COLLAR, FAN CASE	4	
15	11469945330	SEAL, FAN CASE	1	
16	11429945350	BOLT, FAN CASE	4	
18	11469976251	RECOIL, ASSY.....	1	INCLUDES ITEMS W/*
19*	11469976510	CASE, STARTER	1	
20*	11469976520	REEL, RECOIL	1	
21*	11469976531	RATCHET	2	
22*	11469976540	SPRING, SPIRAL	1	
23*	11469976551	GUIDE, RATCHET	1	
24*	11469976560	SPRING, FRICTION	1	
25*	11469976620	KNOB, STARTER	1	
26*	11469976630	ROPE, STARTER	1	
27*	11469976650	SPRING, RETURN	1	
28*	11469976660	RETAINING RING	1	
29*	11469976670	WASHER	1	
30*	11469976680	WASHER IN NYLON	1	
31	11469976592	PULLEY, STARTER	1	
32	26106060082	BOLT M 6X8 PLATED	4	
33	26106060122	BOLT M 6X12 PLATED	3	
34	11431045100	FAN CASE (SILVER) (17)	1	

YANMAR L-100V2AJ1R2AAS5 — FUEL INJECTION PUMP AND VALVE ASSY.

FUEL INJECTION PUMP AND FUEL INJECTION VALVE ASSY.



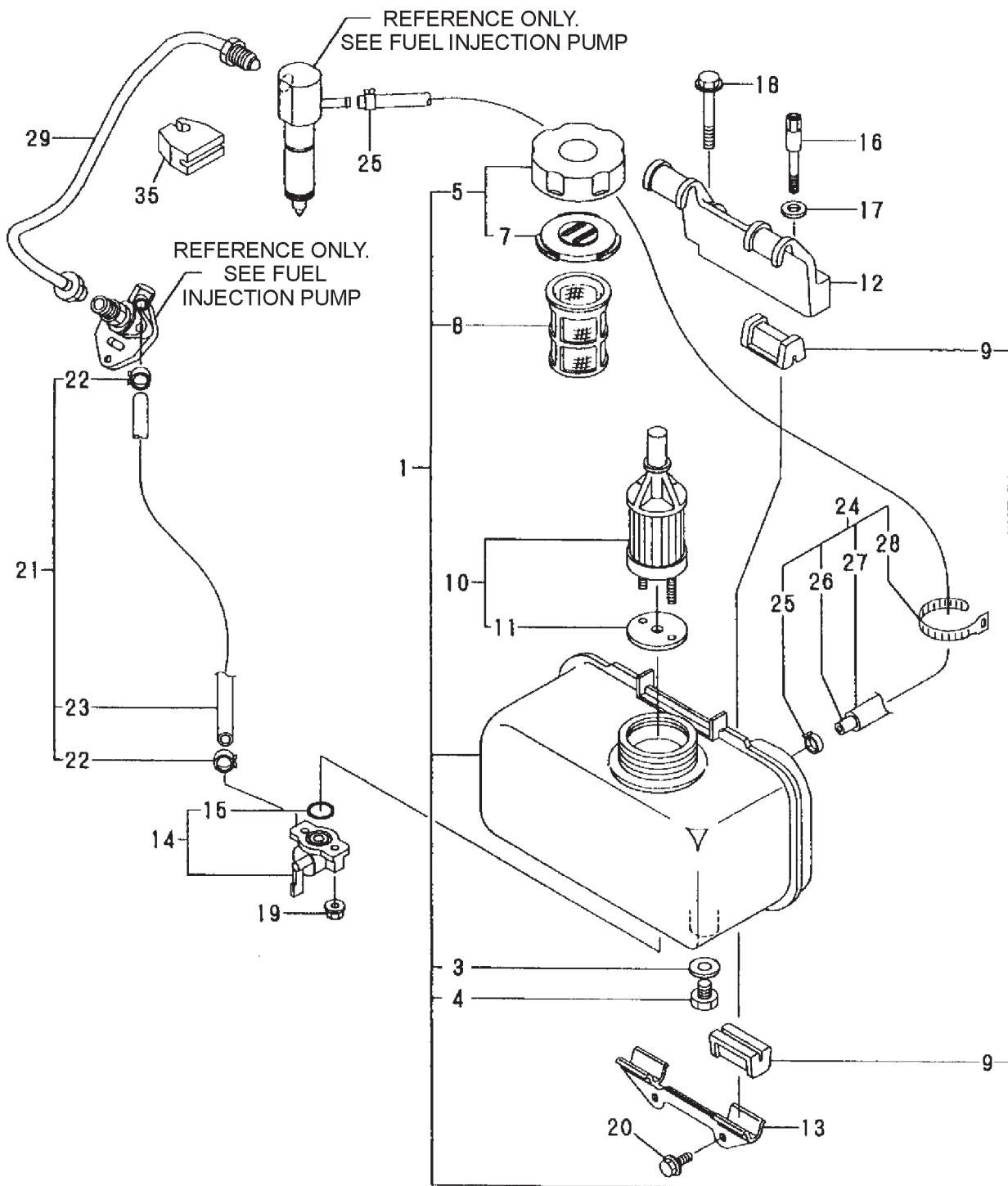
YANMAR L-100V2AJ1R2AAS5 — FUEL INJECTION PUMP AND VALVE ASSY.

FUEL INJECTION PUMP AND FUEL INJECTION VALVE ASSY.

<u>NO.</u>	<u>PART NO.</u>	<u>PART NAME</u>	<u>QTY.</u>	<u>REMARKS</u>
1	71431051100	PUMP ASSY., FUEL INJECTION	1	INCLUDES ITEMS W/*
2*	10554651020	GASKET	1	
3*	11425051080	PLATE	1	
4*	11431051200	BODY, FUEL INJECTION PUMP	1	
10	11425051160	SPRING	1	
11*	11421051300	VALVE ASSY., DELIVERY	1	
12*	12455051350	GASKET, DELIVERY	1	
13*	11425051600	LEVER ASSY., CONTROL	1	
14*	11425051640	SEAT (A), SPRING	1	
15*	11425051650	SEAT (B), SPRING	1	
16*	22351020006	SPRING PIN 2X6	2	
17*	22351030008	SPRING PIN 3X8	1	
18	71421053100	FUEL INJECTOR.....	1	INCLUDES ITEM W/%
19#	11421053000	NOZZLE ASSY.	1	
20%	11421053100	HOLDER ASSY., NOZZLE	1	INCLUDES ITEM W/#
21#	11421053080	NUT, NOZZLE	1	
23#	11421053330	PIN	1	
24#	11421053120	SPRING, NOZZLE	1	
25#	11421053130	SEAT, SPRING	1	
26#	11421053140	SPACER ASSY., VALVE	1	
27#	11421053410	SHIM (T=1.00)	1	
28	11421053420	SHIM (T=1.05)	1	
29	11421053430	SHIM (T=1.10)	1	
30	11421053440	SHIM (T=1.15)	1	
31	11421053450	SHIM (T=1.20)	1	
32	11421053460	SHIM (T=1.25)	1	
33	11421053470	SHIM (T=1.30)	1	
34	11421053480	SHIM (T=1.35)	1	
35	11421053490	SHIM (T=1.40)	1	
36	11421053500	SHIM (T=1.45)	1	
37	11421053510	SHIM (T=1.50)	1	
38	11421053520	SHIM (T=1.55)	1	
39	11421053530	SHIM (T=1.60)	1	
40	11421053540	SHIM (T=1.65)	1	
41	11421053550	SHIM (T=1.70)	1	
42	11421053560	SHIM (T=1.75)	1	
43	11421053570	SHIM (T=1.80)	1	
44	11421053580	SHIM (T=1.85)	1	
45	11421053590	SHIM (T=1.90)	1	
46	11421053600	SHIM (T=1.95)	1	
47	11421053610	SHIM (T=2.00)	1	

YANMAR L-100V2AJ1R2AAS5 — FUEL TANK ASSY.

FUEL TANK ASSY.



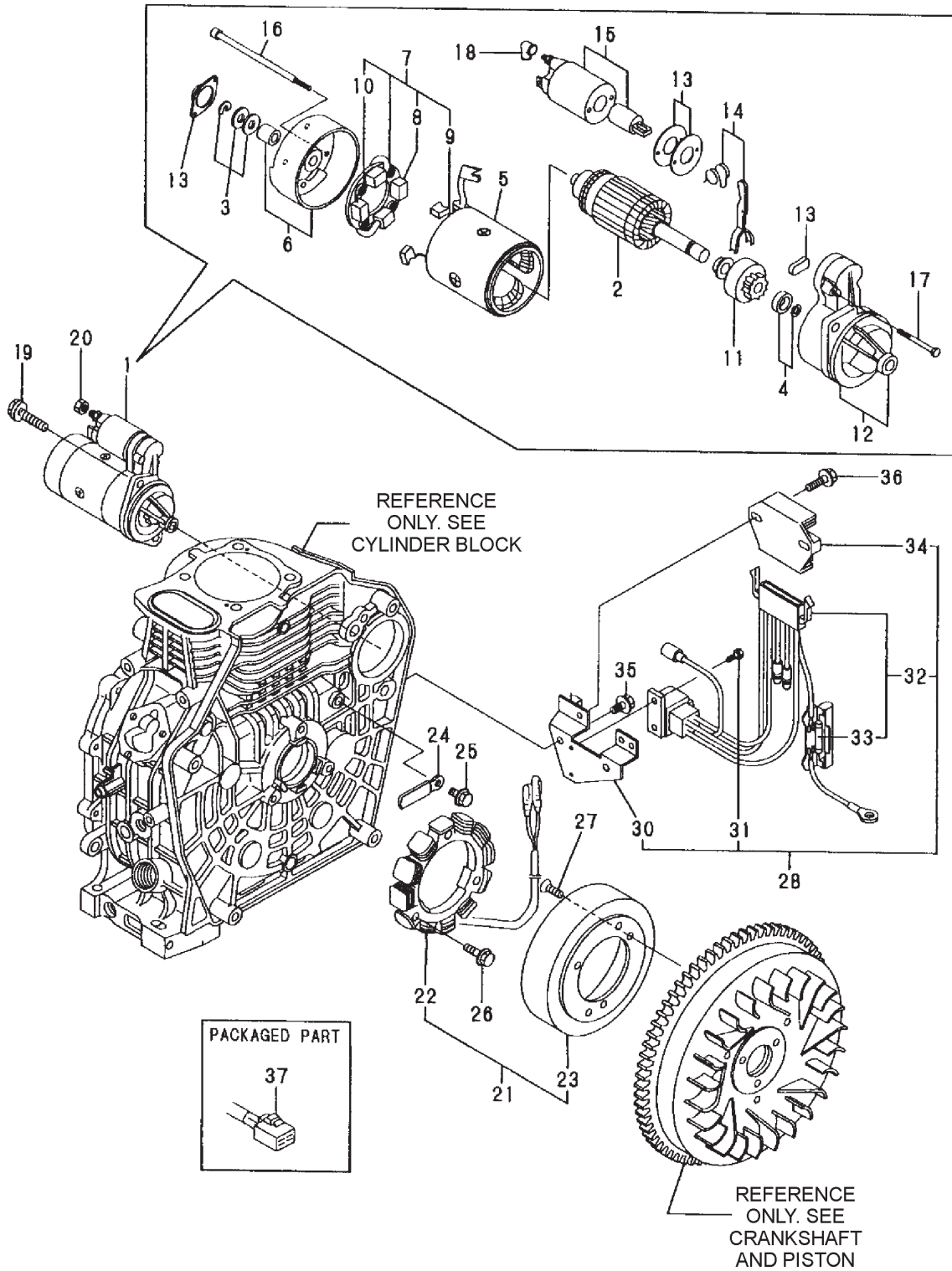
YANMAR L-100V2AJ1R2AAS5 — FUEL TANK ASSY.

FUEL TANK ASSY.

<u>NO.</u>	<u>PART NO.</u>	<u>PART NAME</u>	<u>QTY.</u>	<u>REMARKS</u>
1	71431055700	TANK, FUEL (BLACK) (13)	1	INCLUDES ITEMS W/*
3*	23414080000	GASKET 8, ROUND	1	
4*	10530055080	PLUG, DRAIN	1	
5*	11428855041	CAP ASSY., FUEL TANK	1	INCLUDES ITEMS W/#
7#	11428855081	VALVE	1	
8*	11429955100	STRAINER, FUEL	1	
9*	11425055201	DAMPER, FUEL TANK	4	
10*	11425055121	FILTER, FUEL OIL	1	INCLUDES ITEMS W/+
11*+	11425055130	GASKET	1	
12	11431055230	STAY B, FUEL TANK	1	
13*	11421055210	STAY A, FUEL TANK	1	
14	11425055301	FUEL COCK	1	INCLUDES ITEMS W/\$
15\$	24341000150	O-RING 1A S-15.0	1	
16	11421055810	BOLT, LIFTING	1	
17	22117080000	WASHER 8	1	
18	26106080452	BOLT M 8X45 PLATED	1	
19	26366060002	NUT M6	2	
20*	26106060162	BOLT M 6X16 PLATED	2	
21	11477059030	PIPE ASSY., FUEL OIL	1	INCLUDES ITEMS W/>
22>	11427059010	CLIP, HOSE	2	
23>	11426859061	PIPE, FUEL OIL	1	
24*	11431059300	PIPE ASSY., RETURN	1	INCLUDES ITEMS W/%
25*%	12472259050	CLAMP 9	2	
26*%	11431059060	PIPE, FUEL RETURN	1	
27*%	11431059310	TUBE, PROTECTOR	1	
28*%	12175059890	CLAMP 140	1	
29	11431059800	PIPE, FUEL INJECTION	1	
35	11465059850	BRACKET, PIPE	1	

YANMAR L-100V2AJ1R2AAS5 — STARTING MOTOR AND DYNAMO ASSY.

STARTING MOTOR AND DYNAMO ASSY.



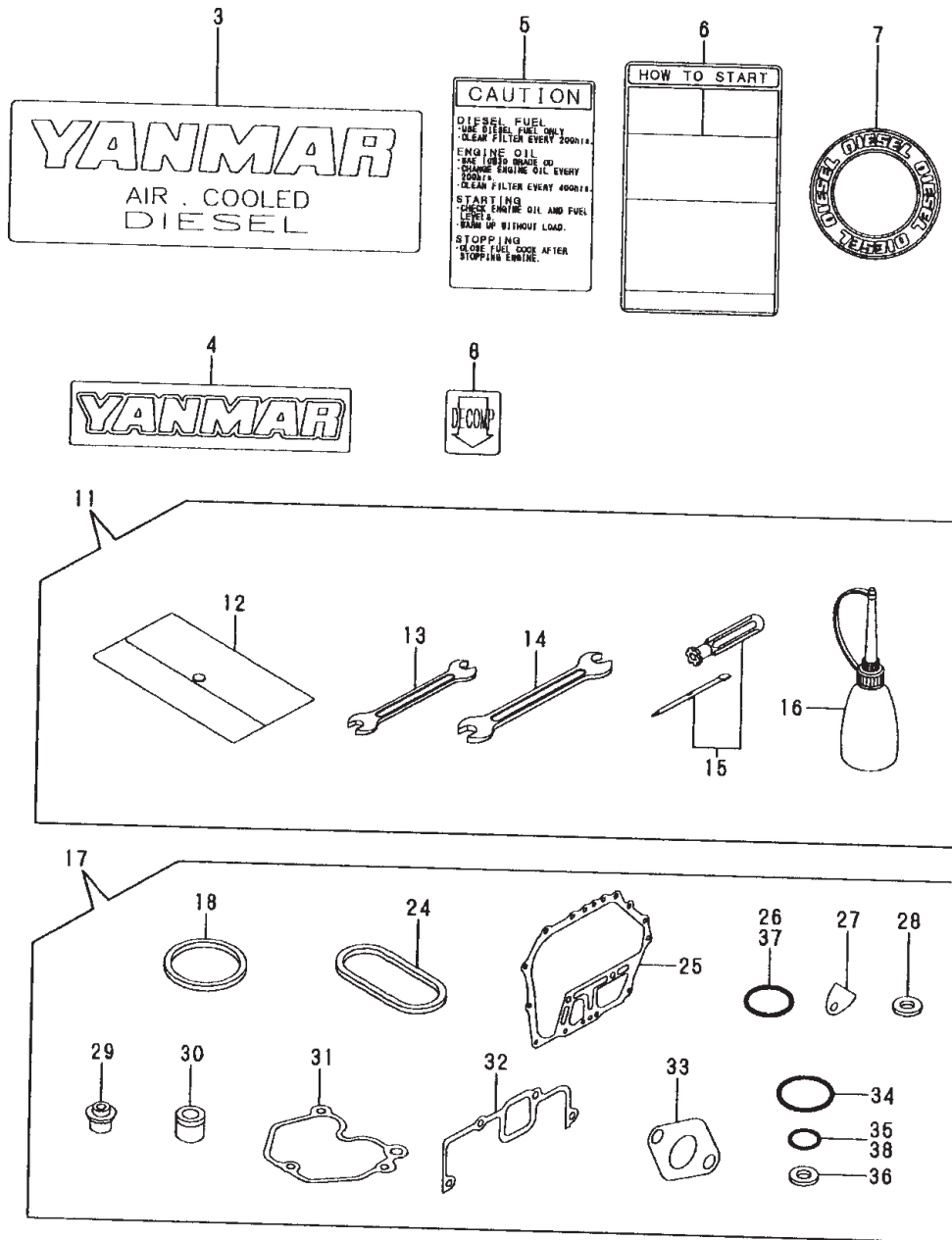
YANMAR L-100V2AJ1R2AAS5 — STARTING MOTOR AND DYNAMO ASSY.

STARTING MOTOR AND DYNAMO ASSY.

<u>NO.</u>	<u>PART NO.</u>	<u>PART NAME</u>	<u>QTY.</u>	<u>REMARKS</u>
1	11436277011	STARTER (HITACHI 12V)	1	INCLUDES ITEMS W/*
2	11438177110	ARMATURE	1	
3*	X2114811000	WASHER KIT, THRUST	1	
4*	X2114715500	STOPPER SET, PINION	1	
5*	11438177130	COIL ASSY., FIELD	1	
6*	11438177140	COVER, REAR	1	
7*	11437177160	HOLDER ASSY., BRUSH	1	INCLUDES ITEMS W/#
8*#	11437179040	BRUSH (-)	2	
9*#	11437179050	BRUSH (+)	1	
10*#	11437179060	SPRING, BRUSH	4	
11*	X211485016	PINION ASSY.	1	
12*	11438177151	HOUSING ASSY., GEAR	1	
13*	11437177170	COVER KIT, DUST	1	
14*	11437177180	SHIFT LEVER KIT	1	
15*	12429877020	SWITCH, MAGNET	1	
16*	12419577770	THROUGH BOLT	2	
17*	11437179070	BOLT M6X37	2	
18*	X2114274200	COVER, TERMINAL	1	
19	26106100302	BOLT M 10X30 PLATED	2	
20	26716080002	NUT M8	1	
21	11439978260	DYNAMO ASSY.	1	INCLUDES ITEMS W/+
22+	11439978730	STATOR ASSY.	1	
23+	11439978740	WHEEL, DYNAMO	1	
24	16071078710	CLAMP, CORD	1	
25	26106060122	BOLT M 6X12 PLATED	1	
26	26106060202	BOLT M 6X20 PLATED	3	
27	26577060142	SCREW M6X14	3	
28	11439977550	REGULATOR AND HARNESS ASSY.	1	INCLUDES ITEMS W/\$
30\$	11439977400	BRACKET, HARNESS	1	
31\$	26023040102	SCREW M4X10	2	
32\$	11439977540	HARNESS, WIRE	1	
33>	29411200000	FUSE (20A), CARTRIDGE	2	
34\$	11439977710	REGULATOR	1	INCLUDES ITEMS W/>
35	26106060122	BOLT M 6X12 PLATED	2	
36	26106060202	BOLT M 6X20 PLATED	2	
37	11435177520	JOINT	1	

YANMAR L-100V2AJ1R2AAS5 — TOOL, LABEL AND GASKET SET ASSY.

TOOL, LABEL AND GASKET SET ASSY.



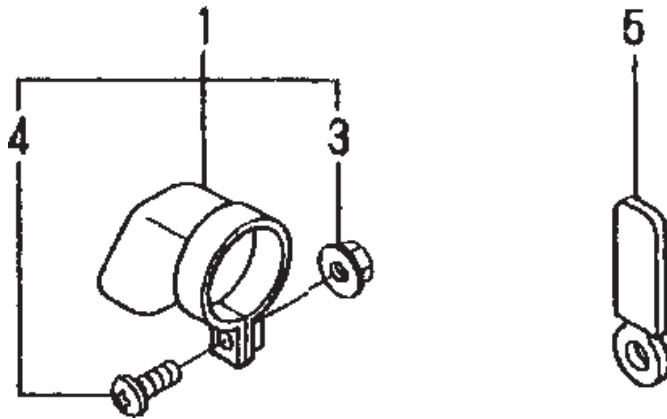
YANMAR L-100V2AJ1R2AAS5 — TOOL, LABEL AND GASKET SET ASSY.

TOOL, LABEL AND GASKET SET ASSY.

<u>NO.</u>	<u>PART NO.</u>	<u>PART NAME</u>	<u>QTY.</u>	<u>REMARKS</u>
3	11429907100	LABEL, AIR COOLED	1	
4	11429907110	LABEL, AIR YANMAR	1	
5	11421007120	LABEL, CAUTION	1	
6	11421007130	LABEL, HOW TO START-E	1	
7	11429907160	LABEL, DIESEL	1	
8	11421007200	LABEL, DECOMPRESSION	1	
11	11429992590	TOOL ASSY.	1	INCLUDES ITEMS W/*
12*	11429992600	TOOL BAG	1	
13*	11429992710	SPANNA	1	
14*	11429992720	SPANNA	1	
15*	11429992730	DRIVER	1	
16	11429992740	FITTING, FUEL	1	
17	71431092600	GASKET SET (NON-ASB.)	1	INCLUDES ITEMS W/#
18#	11469501330	GASKET ASSY., CYL. HEAD	1	
24#	11469901380	O-RING	1	
25#	11469901410	GASKET, CRANK CASE	1	
26#	11429901950	O-RING	2	
27#	11425001841	GASKET	1	
28#	22190160002	SEAL WASHER 16S	2	
29#	111465011340	SEAL, VALVE STEM	2	
30#	11477111461	GASKET, NOZZLE	1	
31#	11431011310	GASKET, BONNET	1	
32#	11431012210	GASKET, AIR CLEANER	1	
33#	11431013200	GASKET, MUFFLER	1	
34#	11429932570	O-RING, COVE	1	
35#	24341000100	O-RING 1A S-10.0	1	
36#	23414080000	GASKET 8, ROUND	1	
37#	24341000224	O-RING 1A S-22.4	1	
38#	24341000150	O-RING 1A S-15.0	1	

YANMAR L-100V2AJ1R2AAS5 — ACCESSORIES ASSY.

ACCESSORIES ASSY.



YANMAR L-100V2AJ1R2AAS5 — ACCESSORIES ASSY.

ACCESSORIES ASSY.

<u>NO.</u>	<u>PART NO.</u>	<u>PART NAME</u>	<u>QTY.</u>	<u>REMARKS</u>
1	11498513800	DEFLECTOR, EXHAUST	1	INCLUDES ITEMS W/*
3*	26367060002	NUT M 6	1	
4*	26554060162	SCREW M 6X16	1	
5*	16071078710	CLAMP, CORD	1	