

PARTS MANUAL



Mikasa **SERIES**
**MODEL MVH306DS2/
MVH306DSCPAS**
REVERSIBLE PLATE COMPACTOR
(YANMAR L70V6GJ1R1AAS5 DIESEL ENGINE)

Revision #8 (07/02/20)

THIS MANUAL MUST ACCOMPANY THE EQUIPMENT AT ALL TIMES.

TABLE OF CONTENTS

MVH306DS2/DSCPAS Reversible Plate Compactors

Explanation Of Code In Remarks Column.....	4
Suggested Spare Parts	5

Component Drawings

Nameplate And Decals.....	6-7
Vibrating Plate Assembly.....	8-9
Base And Engine Assembly	10-13
Vibrator Assembly	14-15
Control Handle Assembly	16-19
Hand Pump Assembly	20-21
Battery Assembly.....	22-23
Compaction Analyzing System Assembly	24-25
Electric Device Assembly	26-27

Yanmar L70V6 Diesel Engine

Cylinder Block Assembly	28-29
Cylinder Head Assembly	30-31
Air Cleaner Assembly	32-33
Muffler Assembly	34-35
Crankshaft And Camshaft Assembly.....	36-37
Piston Assembly	38-39
Lub Oil Pump And Governor Assembly.....	40-41
Cooling And Starting Device Assembly.....	42-43
Fuel Injection Pump Assembly	44-45
Fuel Tank And Fuel Line Assembly	46-47
Starting Motor And Dynamo Assembly	48-49
Tool, Label, And Gasket Assembly	50-51

NOTICE

Specifications and part numbers are subject to change without notice.

EXPLANATION OF CODE IN REMARKS COLUMN

The following section explains the different symbols and remarks used in the Parts section of this manual. Use the help numbers found on the back page of the manual if there are any questions.

NOTICE

The contents and part numbers listed in the parts section are subject to change **without notice**. Multiquip does not guarantee the availability of the parts listed.

SAMPLE PARTS LIST

NO.	PART NO.	PART NAME	QTY.	REMARKS
1	12345	BOLT	1	INCLUDES ITEMS W/%
2%		WASHER, 1/4 IN.		NOT SOLD SEPARATELY
2%	12347	WASHER, 3/8 IN. ..1		MQ-45T ONLY
3	12348	HOSE	A/R	MAKE LOCALLY
4	12349	BEARING	1	S/N 2345B AND ABOVE

NO. Column

Unique Symbols — All items with same unique symbol (@, #, +, %, or >) in the number column belong to the same assembly or kit, which is indicated by a note in the “Remarks” column.

Duplicate Item Numbers — Duplicate numbers indicate multiple part numbers, which are in effect for the same general item, such as different size saw blade guards in use or a part that has been updated on newer versions of the same machine.

NOTICE

When ordering a part that has more than one item number listed, check the remarks column for help in determining the proper part to order.

PART NO. Column

Numbers Used — Part numbers can be indicated by a number, a blank entry, or TBD.

TBD (To Be Determined) is generally used to show a part that has not been assigned a formal part number at the time of publication.

A blank entry generally indicates that the item is not sold separately or is not sold by Multiquip. Other entries will be clarified in the “Remarks” Column.

QTY. Column

Numbers Used — Item quantity can be indicated by a number, a blank entry, or A/R.

A/R (As Required) is generally used for hoses or other parts that are sold in bulk and cut to length.

A blank entry generally indicates that the item is not sold separately. Other entries will be clarified in the “Remarks” Column.

REMARKS Column

Some of the most common notes found in the “Remarks” Column are listed below. Other additional notes needed to describe the item can also be shown.

Assembly/Kit — All items on the parts list with the same unique symbol will be included when this item is purchased.

Indicated by:

“INCLUDES ITEMS W/(unique symbol)”

Serial Number Break — Used to list an effective serial number range where a particular part is used.

Indicated by:

“S/N XXXXX AND BELOW”

“S/N XXXX AND ABOVE”

“S/N XXXX TO S/N XXX”

Specific Model Number Use — Indicates that the part is used only with the specific model number or model number variant listed. It can also be used to show a part is NOT used on a specific model or model number variant.

Indicated by:

“XXXXX ONLY”

“NOT USED ON XXXX”

“Make/Obtain Locally” — Indicates that the part can be purchased at any hardware shop or made out of available items. Examples include battery cables, shims, and certain washers and nuts.

“Not Sold Separately” — Indicates that an item cannot be purchased as a separate item and is either part of an assembly/kit that can be purchased, or is not available for sale through Multiquip.

SUGGESTED SPARE PARTS

MVH306DS2/DSCPAS W/ YANMAR L70V6 DIESEL ENGINE

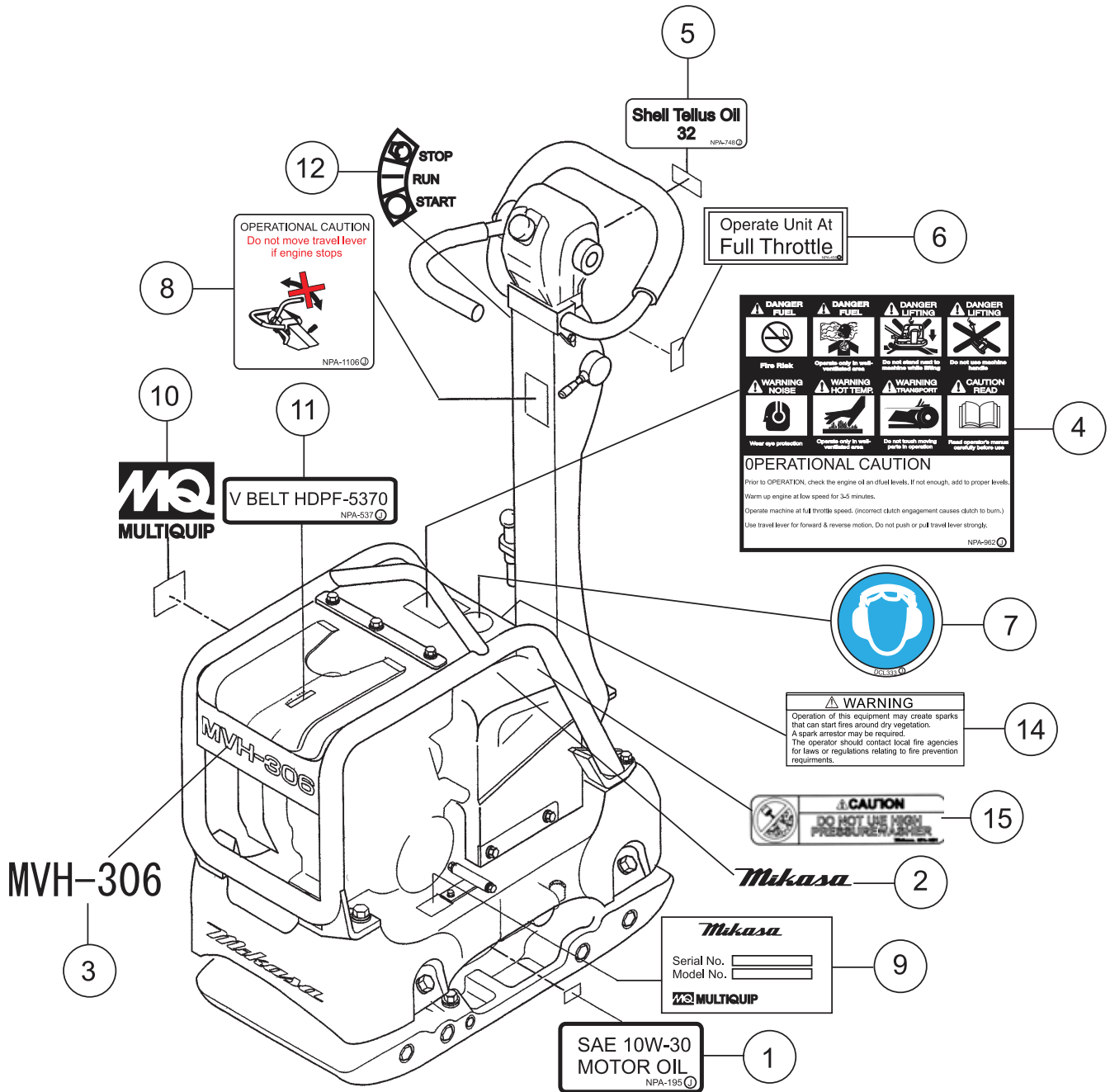
1 to 3 Units

Qty.	P/N	Description
1.....	956100054.....	THROTTLE WIRE
2.....	070200373.....	V-BELT
3.....	11425012580.....	ELEMENT W/ PRE-FILTER
1.....	16081076630.....	STARTER ROPE
2.....	11425055121.....	FUEL FILTER W/GASKET
1.....	11428855010.....	CAP, FUEL TANK W/GASKET
1.....	11425035110.....	LUBE OIL STRAINER
1.....	11425055100.....	FUEL STRAINER
1.....	955300680.....	IGNITION SWITCH W/ KEY
3.....	955000010.....	KEY, IGNITION SWITCH

NOTICE

Part numbers on this Suggested Spare Parts list may supersede/replace the part numbers shown in the following parts lists.

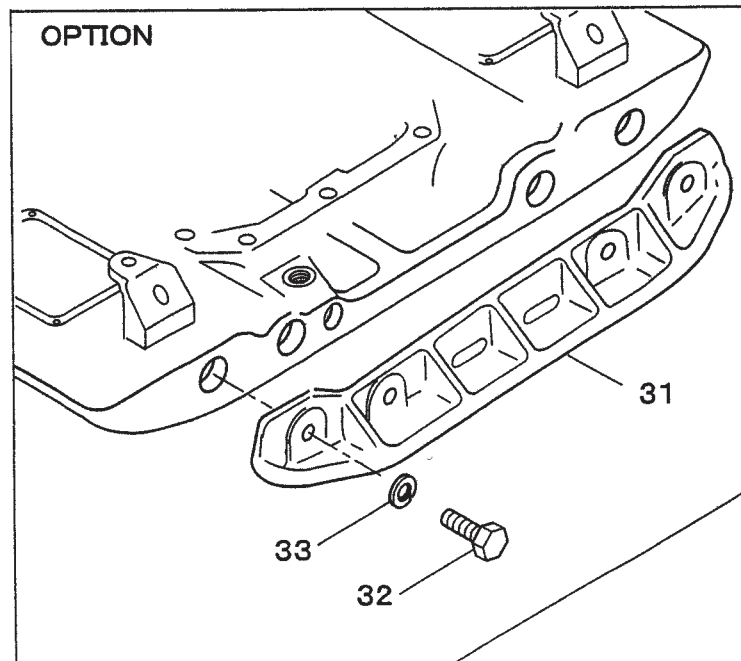
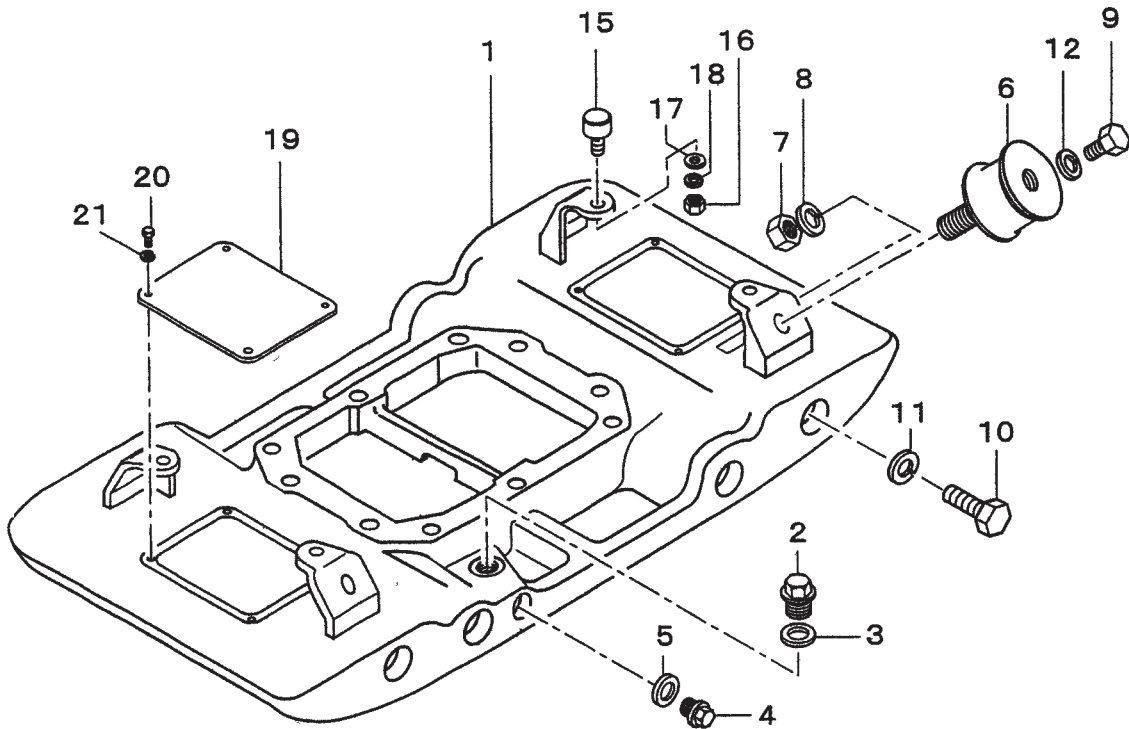
NAMEPLATE AND DECALS



NAMEPLATE AND DECALS

<u>NO.</u>	<u>PART NO.</u>	<u>PART NAME</u>	<u>QTY.</u>	<u>REMARKS</u>
1	920201950	DECAL: OIL SAE 10W-30	1	
2	920105070	DECAL: MIKASA LOGO	1	ELECT. START MODEL ONLY
3	920110370	DECAL: MODEL LOGO MVH-306	1	
4	920209620	DECAL: CAUTION	1	
5	920211090	DECAL: SHELL TELLUS OIL 32	1	
6	920204580	DECAL: FULL THROTTLE	1	
7	920203330	DECAL: EAR PROTECTION	1	
8	920211060	DECAL: CAUTION (TRAVEL LEVER)	1	
9	920213920	DECAL: SERIAL NO.	1	CONTACT MQ PARTS DEPT.
9	920216620	DECAL: SERIAL NO. (PAS)	1	CONTACT MQ PARTS DEPT.
10	920201580	DECAL: MQ LOGO	1	
11	920211010	DECAL: V-BELT HDPF-5370	1	
12	920106760	DECAL: STOP-RUN-START	1	
14	920214100	DECAL: E/G FIRE WARNING	1	
15	920216610	DECAL: CAUTION (FOR WASHING)	1	

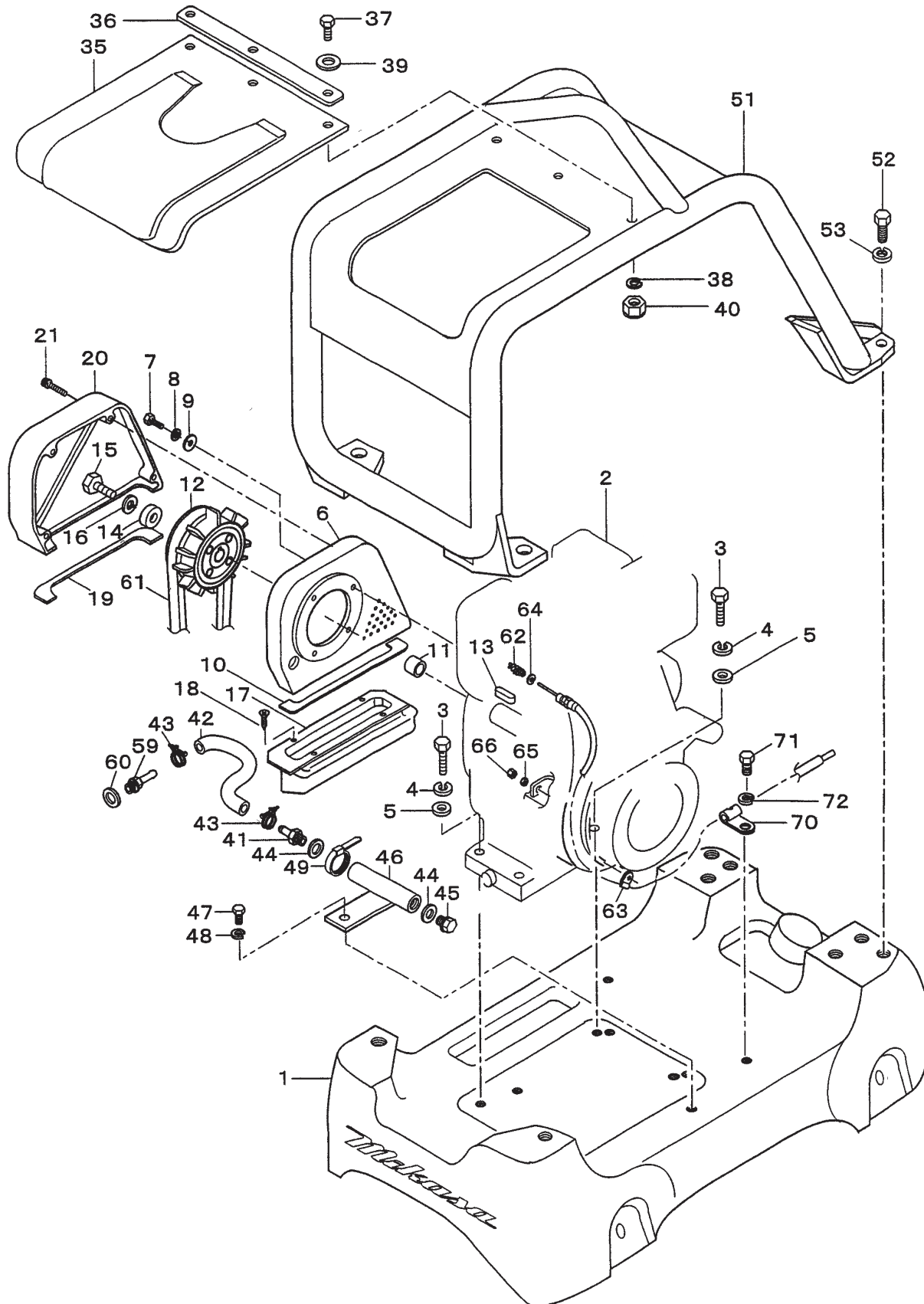
VIBRATING PLATE ASSY.



VIBRATING PLATE ASSY.

<u>NO.</u>	<u>PART NO.</u>	<u>PART NAME</u>	<u>QTY.</u>	<u>REMARKS</u>
1	464117840	VIBRATING PLATE	1	
2	464460660	DRAIN PLUG	1	
3	953402930	COPPER PACKING 19X30X1	1	
4	953400270	PLUG 1/4X14 10L	1	
5	953405260	PACKING 1/4 (CU)	1	
6	939010260	SHOCK ABSORBER 110X60H	4	
7	020316130	NUT M16	4	
8	030216400	WASHER, LOCK M16	4	
9	001221635	BOLT 16X35 T	4	
10	001221830	BOLT 18X30 T	8	
11	58407	WASHER, LOCK M18	8.....	REPLACES P/N 030218460
12	030216400	WASHER, LOCK M16	4	
15	939010010	SHOCK ABSORBER, STOPPER 45	4	
16	020310080	NUT M10	4	
17	031110160	WASHER, FLAT M10	4	
18	030210250	WASHER, LOCK M10	4	
19	464343730	COVER, VIBRATING PLATE	2	
20	011008015	BOLT 8X15 T	8.....	REPLACES P/N 001220815
21	030208200	WASHER, LOCK M8	8	
31	52993	EXTENSION PLATE	2.....	REPLACES P/N 456210690
32	012218050	BOLT 18X50 T	8.....	REPLACES P/N 001221850
33	58407	WASHER, LOCK M18	8.....	REPLACES P/N 030218460

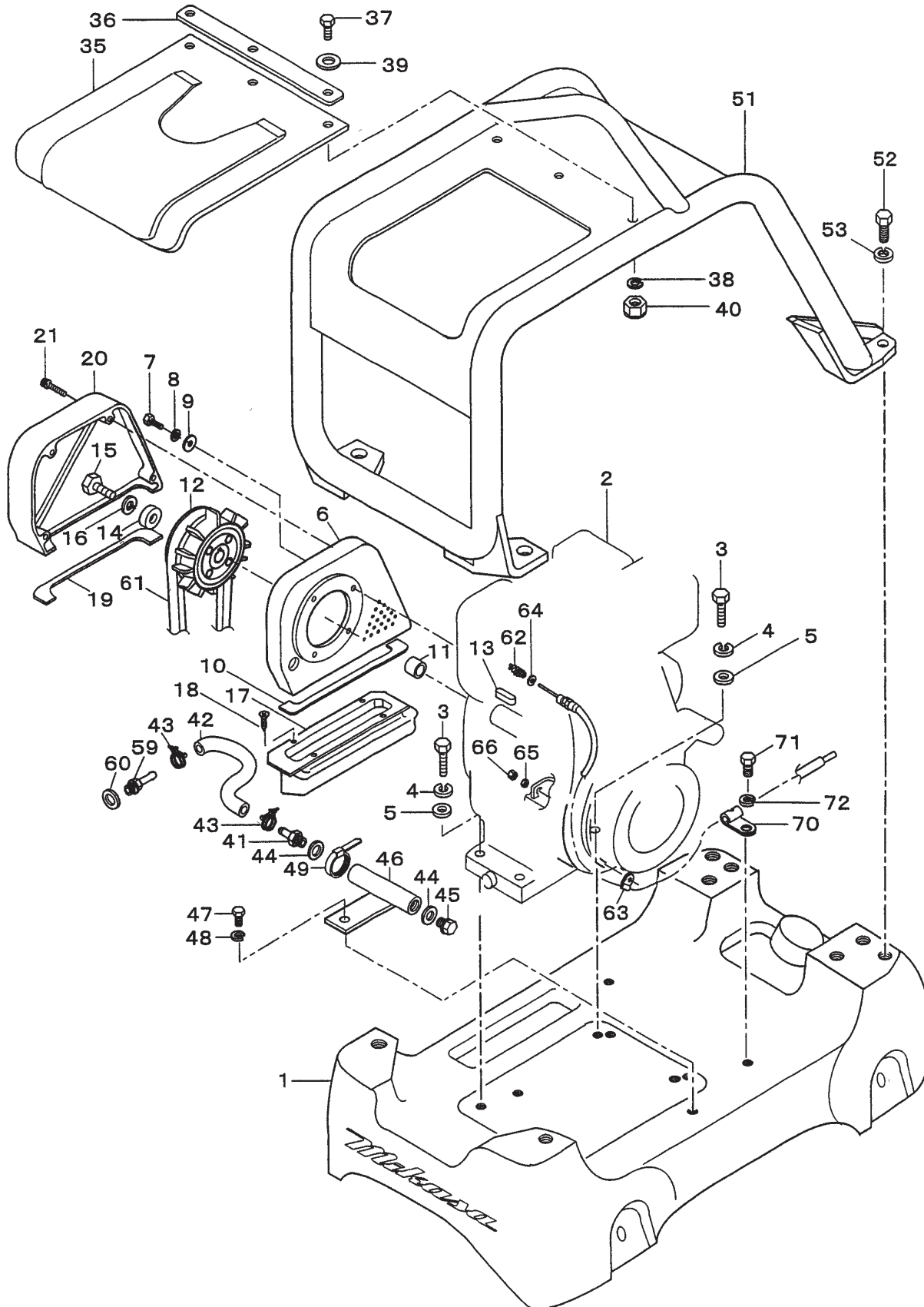
BASE AND ENGINE ASSY.



BASE AND ENGINE ASSY.

<u>NO.</u>	<u>PART NO.</u>	<u>PART NAME</u>	<u>QTY.</u>	<u>REMARKS</u>
1	464117850	BASE	1	
2	914410026	ENGINE ASSY. L70V6 (YANMAR)	1	
3	012210040	BOLT 10X40 T	4	REPLACES P/N 001221040
4	030210250	WASHER, LOCK M10	4	
5	031110160	WASHER, FLAT M10	4	
6	464216560	BELT COVER (IN)	1	
7	011208025	BOLT 8X25 T	4	REPLACES P/N 001220825
8	030208200	WASHER, LOCK M8	4	
9	0401450080	WASHER, FLAT M8	4	REPLACES P/N 031108160
10	464343670	DUST-PROOF SPONGE (IN)	1	
11	464457360	SPACER/MVH-306	1	
12	456343340	CLUTCH ASSY./CHM03/W.FAN	1	
13	951406790	KEY 7X7X36 RR	1	REPLACES P/N 22512070360
14	952400690	WASHER 9X35X4.5	1	
15	011208030	BOLT 8X30 T	1	REPLACES P/N 001220830
16	030208200	WASHER, LOCK M8	1	
17	464216640	DUST-PROOF COVER	1	
18	092006010	FLAT HEAD SCREW 6X10	3	
19	464343660	DUST-PROOF SPONGE (OUT)	1	
20	464216590	BELT COVER (OUT)	1	
21	001521050	SOCKET HEAD BOLT 10X50 T	4	
35	464117920	RUBBER COVER (GUARD FRAME)	1	
36	456449950	PLATE, COVER	1	
37	011208030	BOLT 8X30 T	3	REPLACES P/N 001220830
38	030208200	WASHER, LOCK M8	3	
39	0401450080	WASHER, FLAT M8	3	REPLACES P/N 031108160
40	022710809	NYLON NUT M8	3	

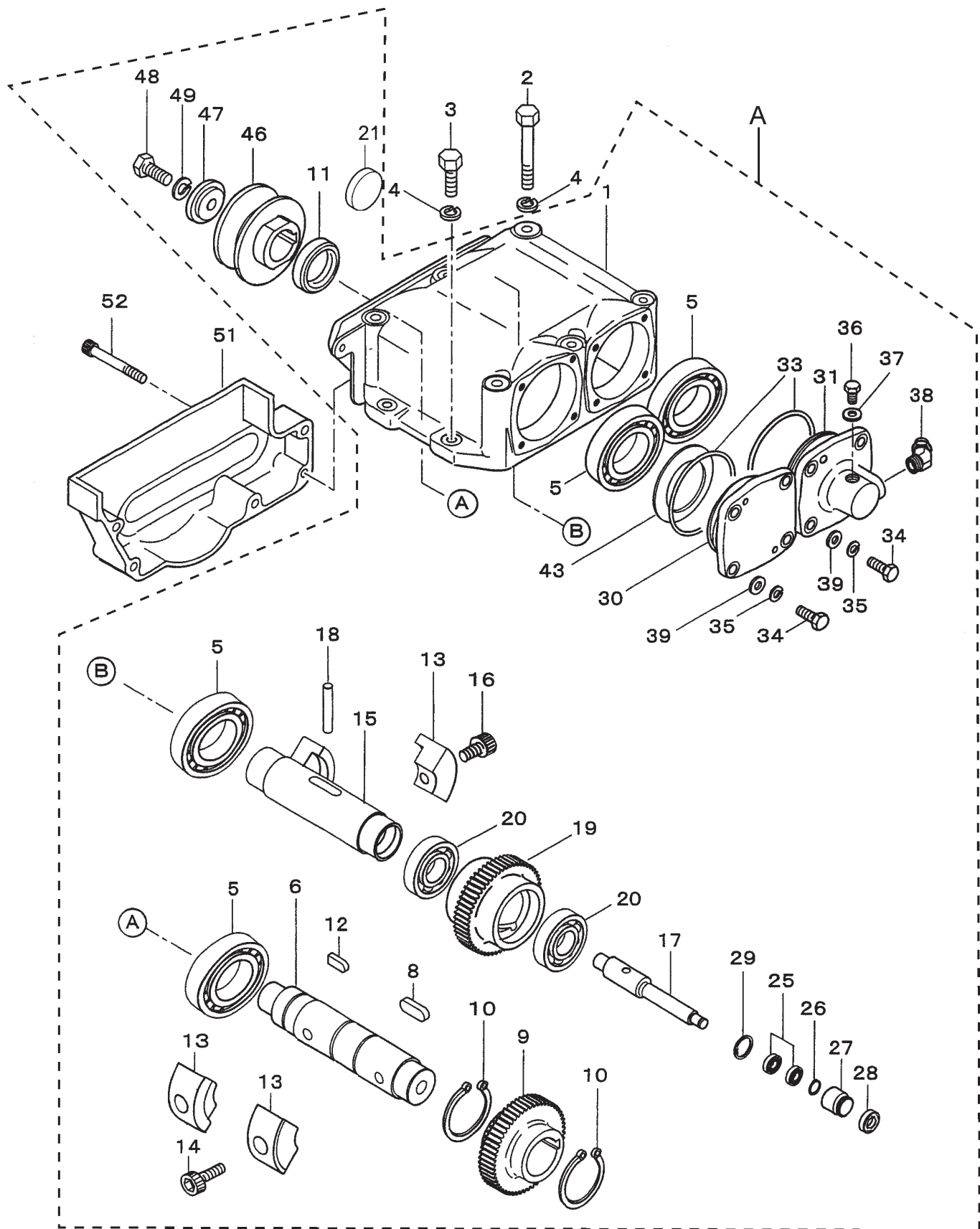
BASE AND ENGINE ASSY. (CONT'D.)



BASE AND ENGINE ASSY. (CONT'D.)

<u>NO.</u>	<u>PART NO.</u>	<u>PART NAME</u>	<u>QTY.</u>	<u>REMARKS</u>
41	2556390111	UNION TIP, DRAIN	1.....	REPLACES P/N 459010060
42	2556380103	DRAIN HOSE	1.....	REPLACES P/N 459010070
43	0091720000	HOSE BAND	2.....	REPLACES P/N 459010090
44	0211140020	GASKET (OIL DRAIN)	2.....	REPLACES P/N 459010080
45	R0401140030	PLUG	1.....	REPLACES P/N 459010100
46	464457380	DRAIN JOINT	1	
47	014208020	BOLT 8X20 T	1.....	REPLACES P/N 001220820
48	030208200	WASHER, LOCK M8	1	
49	454010020	CLAMP TC-100	1	
51	464118780	GUARD HOOK	1	
52	012214030	BOLT 14X30 T	4.....	REPLACES P/N 001221430
53	030214350	WASHER, LOCK M14	4	
59	459455560	UNION, OIL DRAIN	1	
60	459010110	SEAL WASHER 16S	1	
61	070200373	V-BELT	1	
62	459000020	RETURN SPRING	1	
63	2067550101	CLAMP CP.	1.....	REPLACES P/N 151010680
64	58151	WASHER, FLAT M5	1.....	REPLACES P/N 031105080
65	020406040	NUT M6, H=4.2	1	
66	959406800	NUT M6 (SPECIAL-L10)	1	
70	959407260	CLIP D6 (FOR M10)	1	
71	012210015	BOLT 10X15 T	1.....	REPLACES P/N 001221015
72	030210250	WASHER, LOCK M10	1	

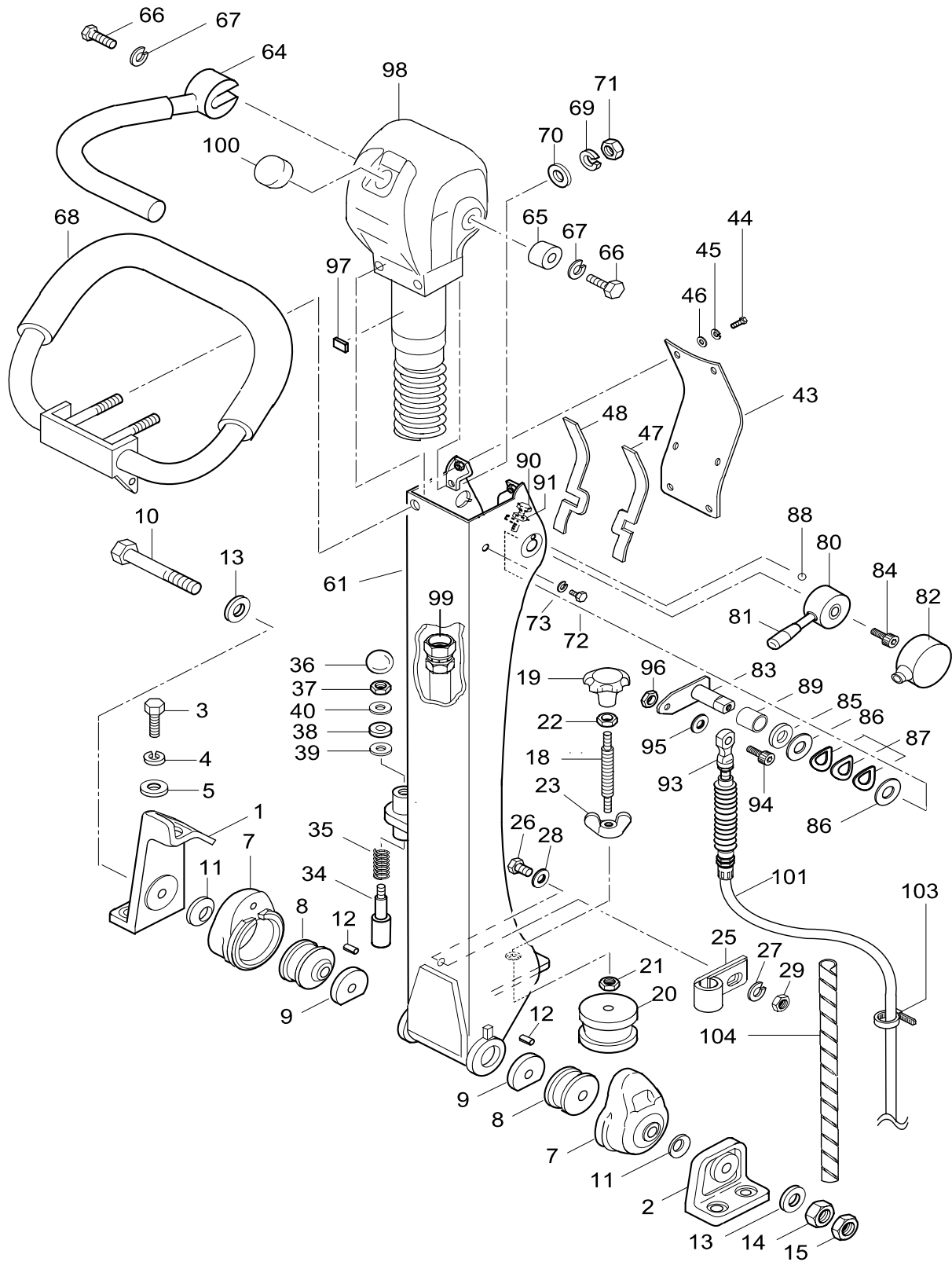
VIBRATOR ASSY.



VIBRATOR ASSY.

<u>NO.</u>	<u>PART NO.</u>	<u>PART NAME</u>	<u>QTY.</u>	<u>REMARKS</u>
A	464910020	VIBRATING ASSY.....	1.....	INCLUDES ITEMS W/ #
1#	464117880	VIBRATING CASE	1	
2	001221470	BOLT 14X150 T	6	
3	001221450	BOLT 14X50 T	4	
4	030214350	WASHER, LOCK M14	10	
5#	047920120	ROLLER BEARING NJ310EMC4	4	
6#	457212410	ROTARY SHAFT, DRIVE	1	
8#	951405370	KEY 15X10X39 RR	1	
9#	456327150	GEAR, DRIVE	1	
10#	080200550	STOP RING S-55	2	
11#	060105030	OIL SEAL SB-50729	1	
12#	951404970	KEY 12X8X30 R	1	
13#	464343700	ECCENTRIC ROTATOR	4	
14#	009120301	SOCKET HEAD BOLT 16X40 T	2	
15#	456337670	ROTARY SHAFT, DRIVEN	1	
16#	009120302	SOCKET HEAD BOLT 16X30 T	2	
17#	456337380	PISTON ROD	1	
18#	456010010	KNOCK PIN 10X70	1	
19#	464343720	GEAR (DRIVEN)	1	
20#	040306911	BEARING 6911	2	
21#	953010030	SEAL CAP/SC72-8N	1	
25#	042506000	BEARING 6000ZZSG	2	
26#	0080000010	STOP RING S-10	1.....	REPLACES P/N 080200100
27#	455435051	PISTON, 22.4D	1	
28#	455010070	PACKING USH-22.4X30X5	1	
29#	080100260	STOP RING R-26	1	
30#	456327130	BEARING COVER	1	
31#	456210636	CYLINDER (L)/(AC)	1	
33#	050101050	O-RING G-105	2	
34#	0105091025	BOLT 10X25 T	8.....	REPLACES P/N 001221025
35#	030210250	WASHER, LOCK M10	8	
36#	011008015	BOLT 8X12 T	1.....	REPLACES P/N 001220812
37#	953404600	COPPER PACKING 8X16X2	1	
38#	455010020	ELBOW 45 DEG. 15-0404	1	
39#	031110160	WASHER, FLAT M10	8	
43#	952405470	SHIM 90X110X0.5	2	
46#	464343710	PULLEY	1	
47#	464457370	WASHER	1	
48#	012012030	BOLT 12X30 T	1.....	REPLACES P/N 001221230
49#	030212300	WASHER, LOCK M12	1	
51	464216600	BELT COVER (LOWER)	1	
52	001520852	SOCKET HEAD BOLT 8X60 T	5	

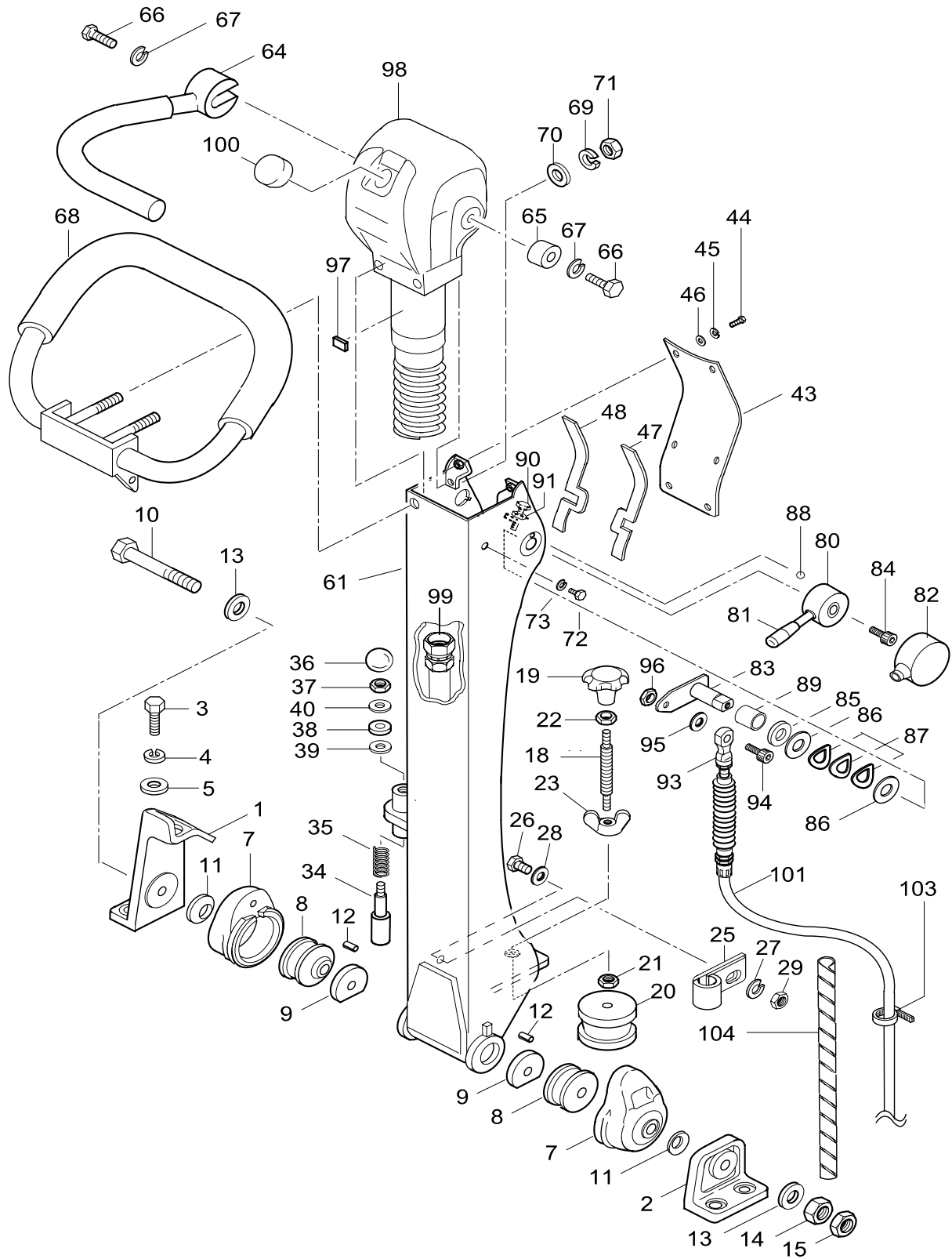
CONTROL HANDLE ASSY.



CONTROL HANDLE ASSY.

<u>NO.</u>	<u>PART NO.</u>	<u>PART NAME</u>	<u>QTY.</u>	<u>REMARKS</u>
1	464343680	HANDLE BRACKET	1	
2	456336420	HANDLE BRACKET (R)	1	
3	012212035	BOLT 12X35 T	4	REPLACES P/N 001221235
4	030212300	WASHER, LOCK M12	4	
5	031112230	WASHER, FLAT M12	4	
7	456336400	RUBBER COUPLING	2	
8	456449940	SHOCK ABSORBER	2	
9	456449930	RUBBER PLATE	2	
10	001221681	BOLT 16X250 T	1	
11	032124400	CONICAL SPRING WASHER M24	2	
12	025306016	SPRING PIN 6X16	2	REPLACES P/N 025406016
13	0401450160	WASHER, FLAT M16	2	REPLACES P/N 031116260
14	020316130	NUT M16	1	
15	020416100	NUT M16, H=10	1	
18	455434950	SPINDLE	1	
19	455010030	KNOB	1	
20	939010060	SHOCK ABSORBER	1	
21	020310080	NUT M10, H=6	1	REPLACES P/N 020410060
22	020412070	NUT M12, H=7	1	
23	022411635	WING NUT M16	1	
25	954404230	CLAMP SA120-18	1	
26	011206020	BOLT 6X20 T	1	REPLACES P/N 001220620
27	030206150	WASHER, LOCK M6	1	
28	031106100	WASHER, FLAT M6	1	
29	020106050	NUT M6	1	REPLACES P/N 020306050
34	501402870	HANDLE STOPPER	1	
35	501402880	SPRING/HANDLE (1.4X18X44)	1	
36	959403460	BALL GRIP 32D-M10	1	
37	020310080	NUT M10, H=6	1	REPLACES P/N 020410060
38	456449980	RUBBER PACKING 9D-20D-5T	1	
39	953405260	PACKING 1/4 (CU)	1	
40	031110160	WASHER, FLAT M10	1	
43	464343690	HANDLE COVER	1	
44	0105050616	BOLT 6X15 T	6	REPLACES P/N 001220615
45	030206150	WASHER, LOCK M6	6	
46	031106100	WASHER, FLAT M6	6	
47	464457710	PACKING A, HANDLE COVER	1	
48	464457720	PACKING B, HANDLE COVER	1	

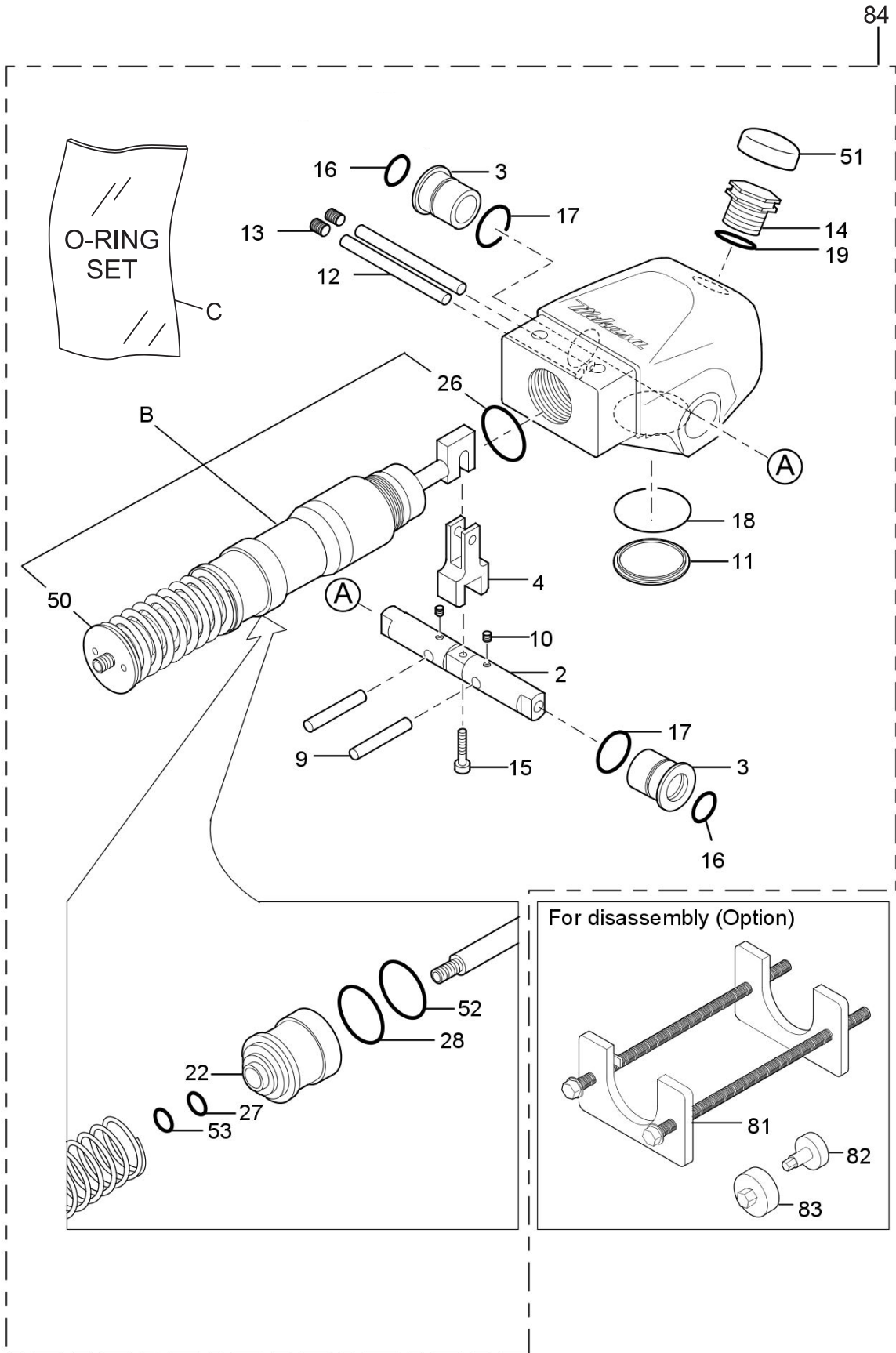
CONTROL HANDLE ASSY. (CONT'D.)



CONTROL HANDLE ASSY. (CONT'D.)

<u>NO.</u>	<u>PART NO.</u>	<u>PART NAME</u>	<u>QTY.</u>	<u>REMARKS</u>
61	464117890	COLUMN, HANDLE	1	
64	464216630	TRAVEL LEVER	1	
65	464457400	HANDLE BOSS	1	
66	012010030	BOLT 10X30 T	2	REPLACES P/N 001221030
67	030210250	WASHER, LOCK M10	2	
68	464216620	HANDLE W/GRIP RUBBER	1	
69	030210250	WASHER, LOCK M10	2	
70	031110160	WASHER, FLAT M10	2	
71	020310080	NUT M10	2	
72	011208025	BOLT 8X25 T	2	REPLACES P/N 001220825
73	030208200	WASHER, LOCK M8	2	
80	464457340	THROTTLE LEVER	1	
81	959403840	BAR GRIP I.D. 12 MM	1	
82	464457420	COVER, THROTTLE	1	
83	464457350	ARM, THROTTLE	1	
84	014208020	SOCKET HEAD BOLT 8X20 T	1	REPLACES P/N 001520820
85	0401450160	WASHER, FLAT M16	1	REPLACES P/N 031116260
86	458450660	WASHER 16.4-35-0.6	2	
87	033910080	CONICAL SW 16.3 X 31.5 X 1.2	3	
88	464457440	STEEL BALL D6 (SUJ)	1	
89	464010010	DRY BUSHING/ LBF-1620	1	
90	011606025	BOLT 6X25 T	2	REPLACES P/N 001220625
91	020106050	NUT M6	2	REPLACES P/N 020306050
93	464010020	ROD END M5	1	
94	001520520	SOCKET HEAD BOLT 5X20 T	1	
95	58151	WASHER, FLAT M5	1	REPLACES P/N 031105080
96	020305040	NUT M5	1	
99	954002270	OIL HOSE W/SPRING 1/4 X 920	1	
101	956100054	THROTTLE WIRE	1	
103	454010020	CLAMP TC-100	1	
104	959021815	SPIRAL TUBE 6D-330L	1	
104	959021810	SPIRAL TUBE KEP6/ L=500	1	REPLACES P/N 959021810

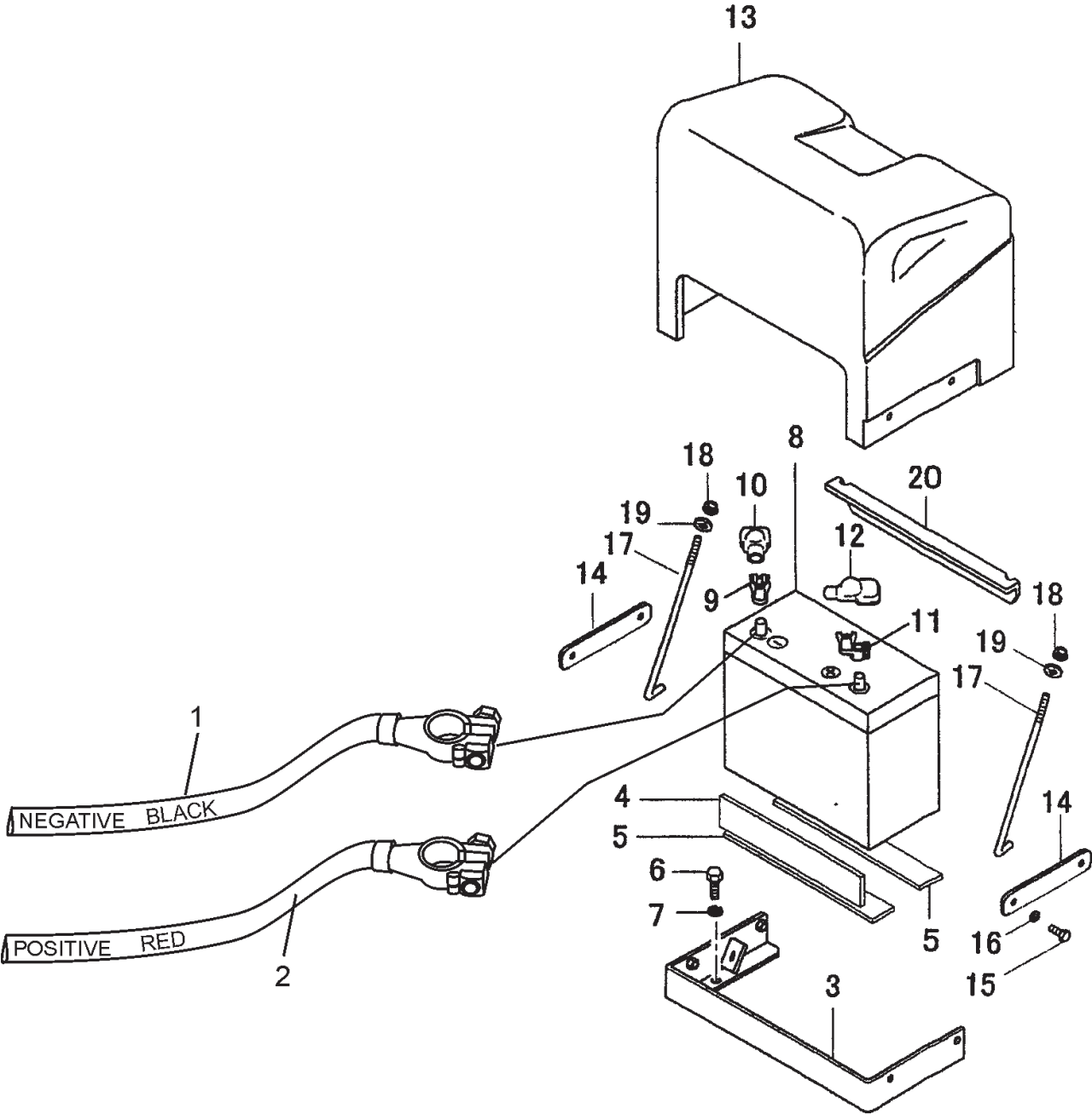
HAND PUMP ASSY.



HAND PUMP ASSY.

NO.	PART NO.	PART NAME	QTY.	REMARKS
B%	464910040	ACCUMULATOR	1	
C%	464910080	O-RING DUST, SEAL, SET	1	INCLUDES ITEMS W/#
2%	464010040	CONTROL SHAFT	1	
3%	464010050	BUSH	2	
4%	464010060	CAM	1	
9%	464010070	STOPPER	2	
10%	099205005	SOCKET HEAD SCREW 5X5 T	2	
11%	464010080	PLUG	1	
12%	464010090	PIN,STOPPER	2	
13%	464010100	PLUG	2	
14%	458010080	BREATHER	1	
15%	014206020	SOCKET HEAD BOLT 6X20 T	1	REPLACES P/N 001520620
16#%	050200200	O-RING P-20	2	
17#%	050210220	O-RING P-22	2	REPLACES P/N 050200220
18#%	050300380	O-RING S-38	1	
19#	050200180	O-RING P-18	1	
22%	464010111	ACCUMULATOR CASE	1	S/N N2419 AND ABOVE
26#%	050300400	O-RING S-40	1	
27#%	050200150	O-RING P-15	1	
28#%	050100400	O-RING G-40	1	
50%	464010120	SPRING PLUG	1	
51%	458451630	BREATHER CAP	1	
52#%	069904010	DUST SEAL SER-40	1	S/N N2419 AND ABOVE
53#%	069901010	DUST SEAL SER-15	1	S/N N2419 AND ABOVE
81%	984010060	SPRING COMPRESSION TOOL	1	
82%	984010040	DISASSEMBLING TOOL A	1	
83%	984010050	DISASSEMBLING TOOL B	1	
84	464216721	HAND PUMP ASSY.	1	INCLUDES ITEMS W/%

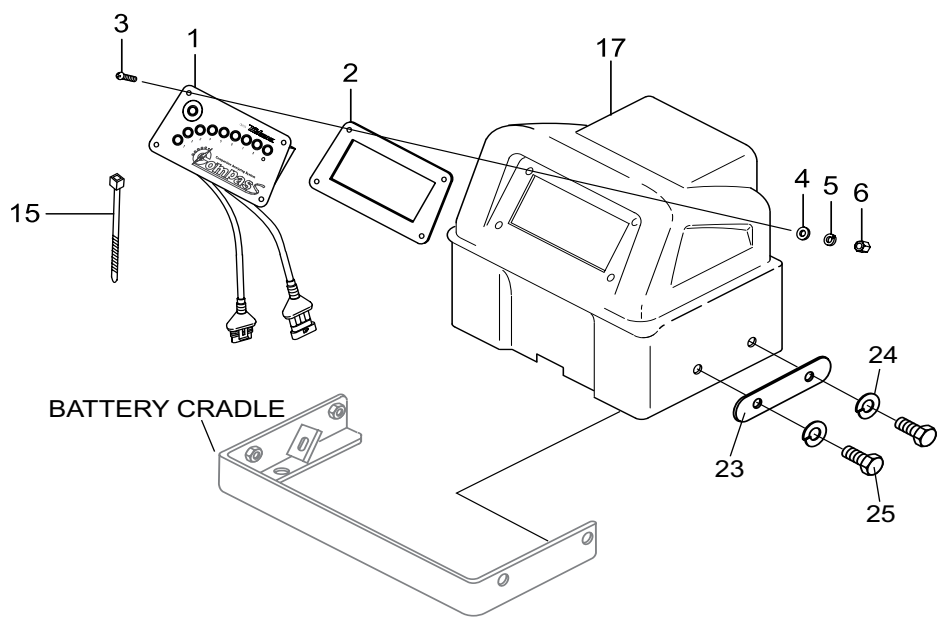
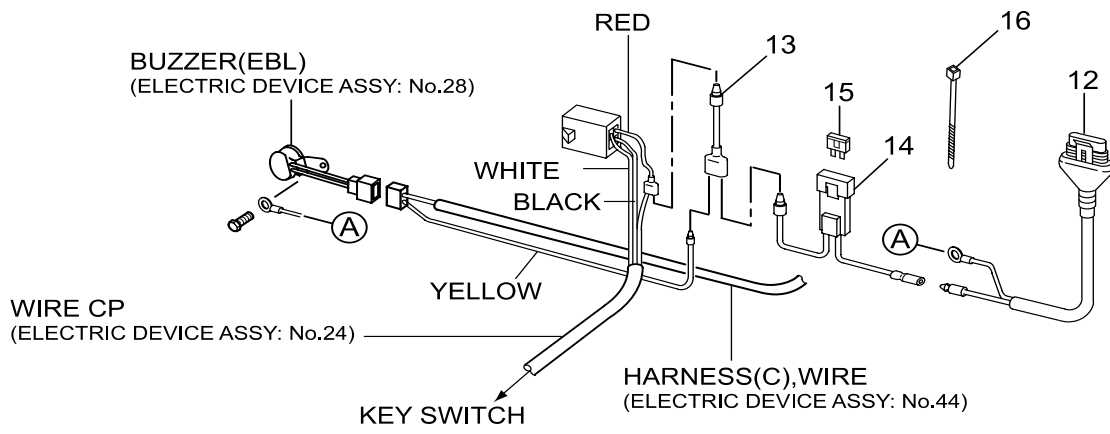
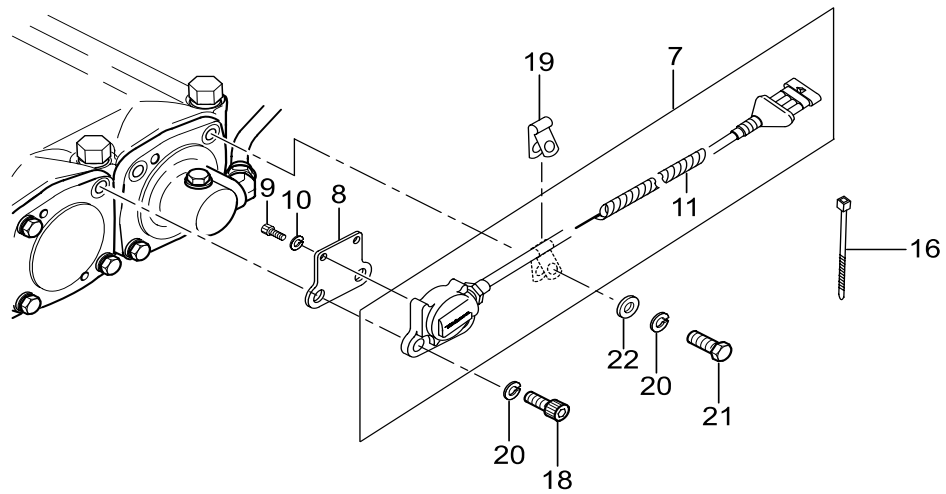
BATTERY ASSY.



BATTERY ASSY.

<u>NO.</u>	<u>PART NO.</u>	<u>PART NAME</u>	<u>QTY.</u>	<u>REMARKS</u>
1	464457460	BATTERY CORD (-) 400L	1	
2	464457470	BATTERY CORD (+) 550L	1	
3	464216660	CRADLE, BATTERY	1	
4	456447590	RUBBER PLATE (E) 28X240X5	1	
5	456447600	RUBBER PLATE 50X240X10	2	
6	012210020	SOCKET HEAD BOLT 10X20 T	2	REPLACES P/N 001221020
7	030210250	WASHER, LOCK M10	2	
8	955010090	BATTERY 55B24L	1	
9	955300490	BATTERY TERMINAL (-)	1	
10	955300470	TERMINAL COVER (-)	1	
11	955300480	BATTERY TERMINAL (+)	1	
12	955300460	TERMINAL COVER (+)	1	
13	464021020	COVER, BATTERY	1	
14	464457410	FIXED PLATE, BATTERY COVER	2	
15	011208025	BOLT 8X25 T	4	REPLACES P/N 001220825
16	030208200	WASHER, LOCK M8	4	
17	464457390	BATTERY BOLT	2	
18	022710809	NYLON NUT M8	2	
19	0401450080	WASHER, FLAT M8	2	REPLACES P/N 031108160
20	464343740	HOLDER, BATTERY	1	

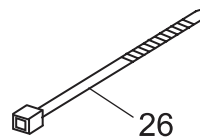
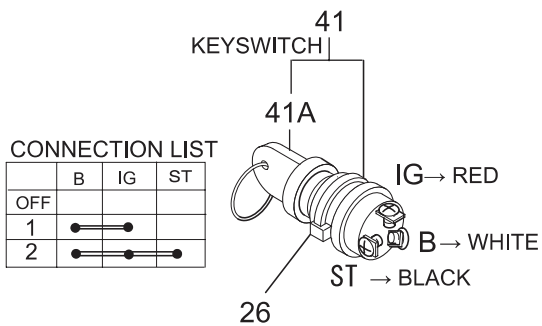
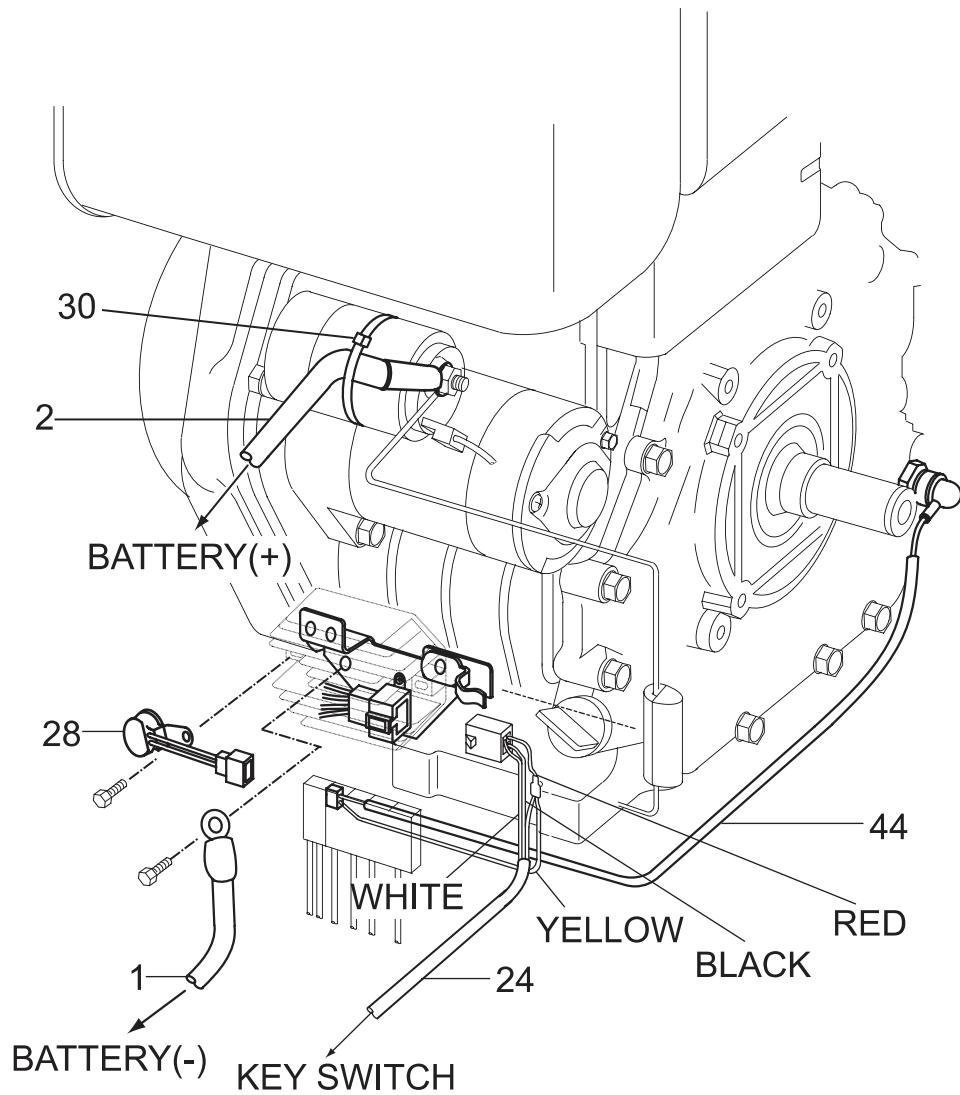
COMPACTION ANALYZING SYSTEM ASSY. (MVH306DSCPAS)



COMPACTION ANALYZING SYSTEM ASSY. (MVH306DSCPAS)

<u>NO.</u>	<u>PART NO.</u>	<u>PART NAME</u>	<u>QTY.</u>	<u>REMARKS</u>
1	465350490	COMPACTION SENSOR PANEL	1	
2	464350510	PACKING,SENSOR	1	
3	009110062	SOCKET HEAD SCREW 6X20	4	
4	952404470	WASHER, FLAT M6.....	4.....	REPLACES P/N 031106100
5	030206150	WASHER, LOCK M6	4	
6	022710607	NYLON NUT M6	4	
7	464350500	ACCELERATION SENSOR ASSY.....	1.....	INCLUDES ITEMS W/ #
8	464464350	SENSOR HOLDER COVER	1	
9	H5HB051000	SOCKET HEAD BOLT 5X10 T.....	2.....	REPLACES P/N 001520510
10	030205130	WASHER, LOCK M5	2	
11#	959021812	SPIRAL TUBE 6D-800L	1	
12	464350390	WIRE HARNESS, SENSOR	1	
13	515450380	WIRE HARNESS	1	
14	464464520	FUSE HOLDER, SENSOR.....	1.....	INCLUDES ITEMS W/ %
15%	464010140	FUSE 2 AMP.....	1.....	MVH306DSCPAS
16	506010070	CLAMP TC-150	7	
17	464022020	COVER,BATTERY.....	1.....	MVH306DSCPAS ONLY
18	001521030	SOCKET HEAD BOLT 10X30 T	2	
19	959408330	WIRE CLIP,SENSOR	1	
20	030210250	WASHER, LOCK M10	3	
21	0105091025	BOLT 10X25 T.....	1.....	REPLACES P/N 001221025
22	031110160	WASHER, FLAT M10	1	
23	464457410	FIXED PLATE, BATTERY COVER	2	
24	030208200	WASHER, LOCK M8	4	
25	011208025	BOLT 8X25 T.....	4.....	REPLACES P/N 001220825

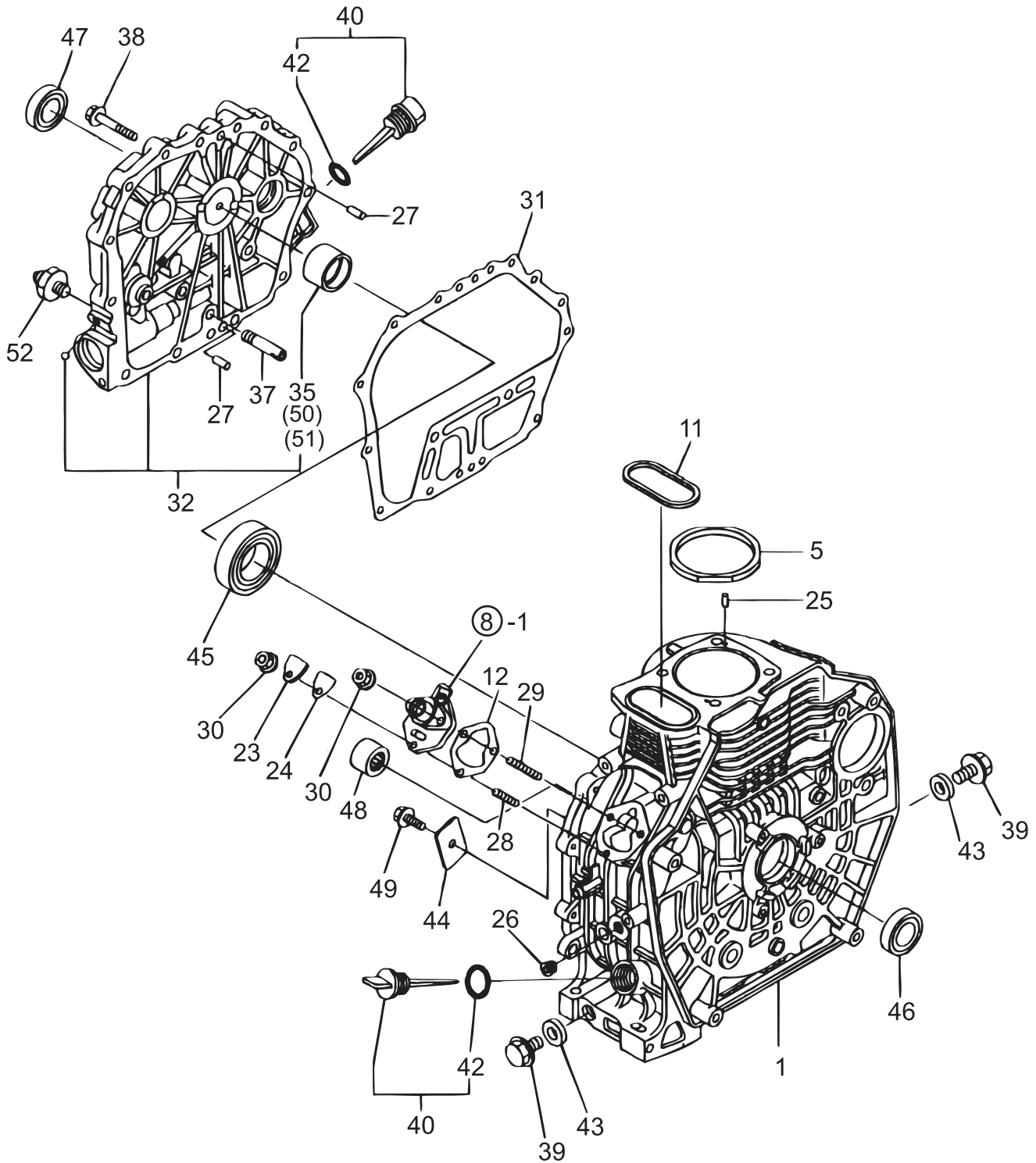
ELECTRIC DEVICE ASSY.



ELECTRIC DEVICE ASSY.

<u>NO.</u>	<u>PART NO.</u>	<u>PART NAME</u>	<u>QTY.</u>	<u>REMARKS</u>
1	464457460	BATTERY CORD (-) 400L	1	
2	464457470	BATTERY CORD (+) 550L	1	
24	464459260	WIRE CP	1	
26	454010020	CLAMP TC-100	3	
28	955300400	BUZZER (EBL)	1	
30	506010070	CLAMP TC-150	1	
41	955300680	IGNITION SWITCH ASSY.....	1.....	INCLUDES ITEMS W/ #
41A#	955000010	IGNITION KEY	1	
44	10519878570	HARNESS (C), WIRE	1	

YANMAR L70V6 — CYLINDER BLOCK ASSY.

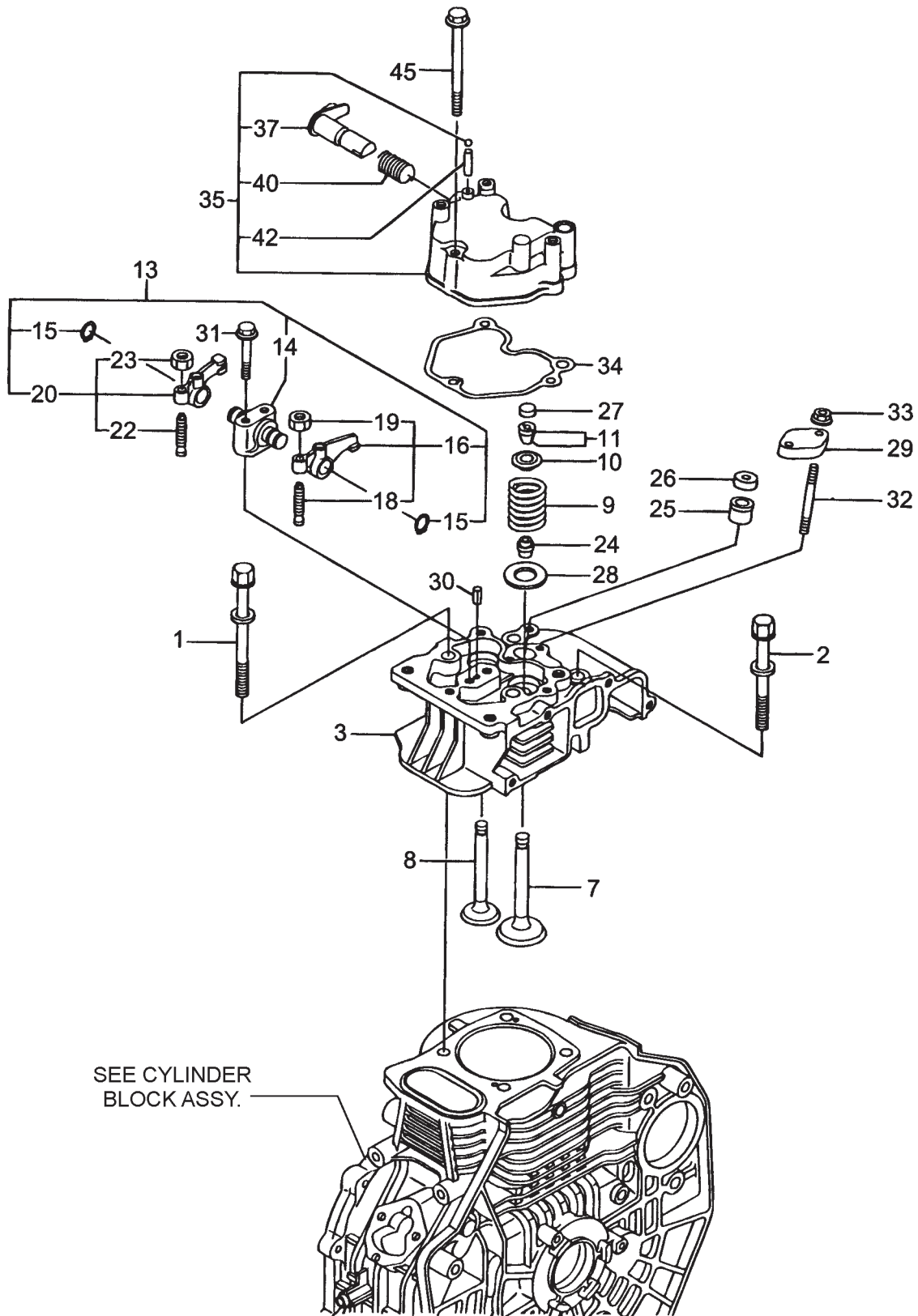


⑧-1 SEE FUEL INJECTION PUMP ASSY.

YANMAR L70V6 — CYLINDER BLOCK ASSY.

<u>NO.</u>	<u>PART NO.</u>	<u>PART NAME</u>	<u>QTY.</u>	<u>REMARKS</u>
1	11421001010	CYLINDER BLOCK ASSY.	1	
5	11439501330	CYLINDER HEAD GASKET ASSY.	1	
11	11435001380	O-RING	1	
12	11429901800	SHIM SET	1	
23	11429901830	COVER (FO PUMP)	1	
24	11425001841	GASKET	1	
25	22312040080	PIN 4X8 STRAIGHT	2	
26	23875020000	PLUG PT 1/4 STEEL	1	
27	11429901600	PIN, 8X12	2	
28	26226060182	STUD M6X18 PLATED	1	
29	26226060222	STUD M6X22 PLATED	2	
30	26366060002	NUT M6	3	
31	11435001412	CRANKCASE GASKET	1	
32	11421001460	CRANKCASE COVER D	1	INCLUDES ITEMS W/ \$
35\$	11435002100	MAIN BEARING US=STD.	1	
37	11429935150	L.O. INLET PIPE	1	
38	26106080352	BOLT M 8X35 PLATED	15	
39	10542501690	PLUG M16	2	
40	11469901760	OIL GAUGE CAP, W/LUB	2	INCLUDES ITEMS W/ #
42#	24311000180	O-RING	2	
43	22190160002	SEAL WASHER 16S	2	
44	11429902030	RETAINER	1	
45	11435002113	BALL BEARING	1	
46	16011002220	OIL SEAL	1	
47	16011002220	OIL SEAL	1	
48	24162152116	NEEDLE BEARING	1	
49	26106080122	BOLT M8X12 PLATED	1	
50	11435002200	MAIN BEARING US=0.25.....	1	UNDERSIZED PART
51	11435002210	MAIN BEARING US=0.50.....	1	UNDERSIZED PART
52	12125239450	OIL PRESSURE SENDER	1	

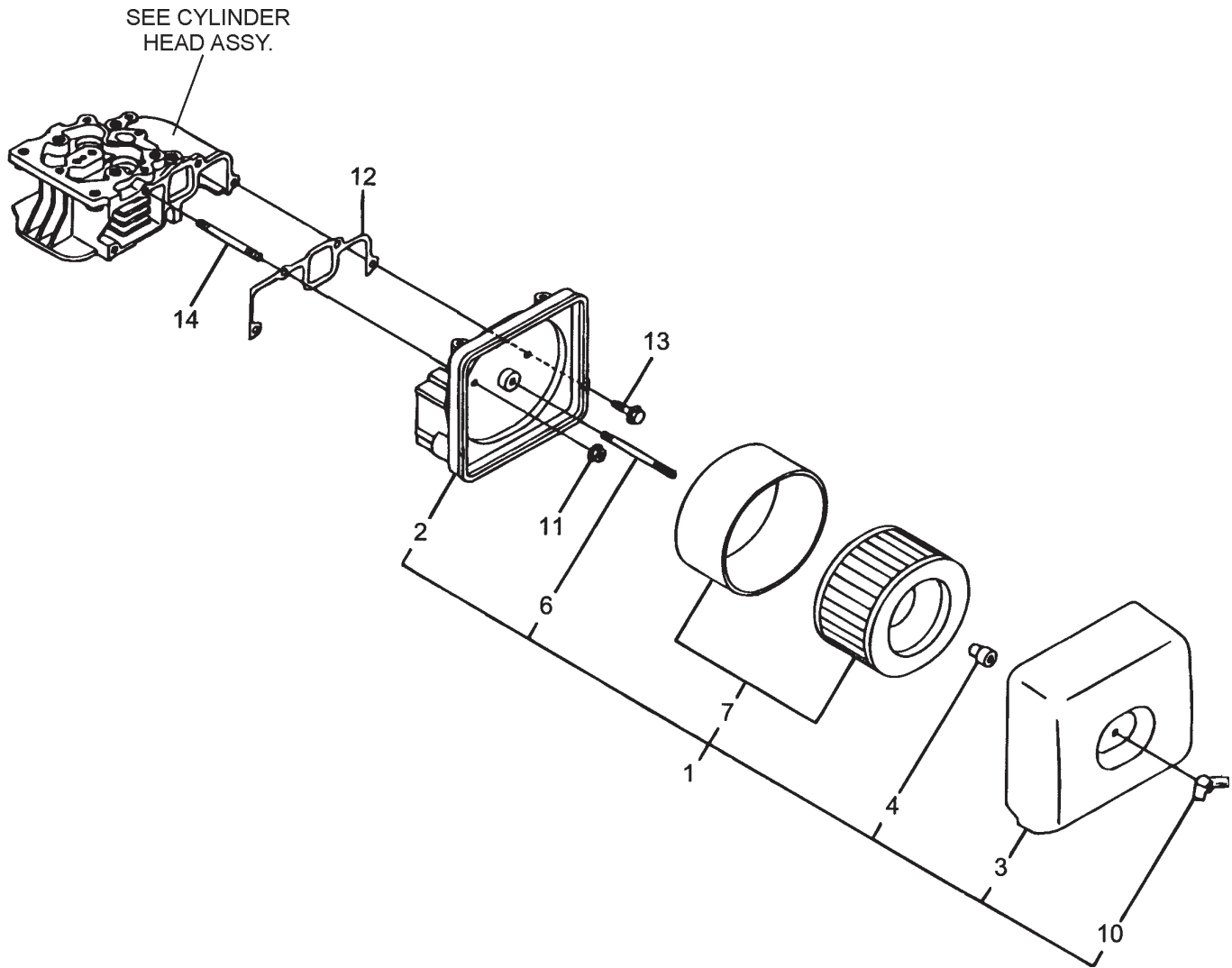
YANMAR L70V6 — CYLINDER HEAD ASSY.



YANMAR L70V6 — CYLINDER HEAD ASSY.

<u>NO.</u>	<u>PART NO.</u>	<u>PART NAME</u>	<u>QTY.</u>	<u>REMARKS</u>
1	11421001200	CYLINDER HEAD A BOLT	2	
2	11421001210	CYLINDER HEAD B BOLT	2	
3	11421011020	CYLINDER HEAD ASSY.	1	
7	11421011100	INTAKE VALVE	1	
8	11421011110	EXHAUST VALVE	1	
9	11421011120	VALVE SPRING	2	
10	11421011180	SPRING RETAINER	2	
11	11421011930	COTTER ASSY.	2	
13	11421011250	SUPPORT ASSY. ROCKER	1	INCLUDES ITEMS W/ #
14#	11421011260	ROCKER ARM SUPPORT	1	
15#	11421011280	C TYPE RETAINING PIN	2	
16#	11421011650	INTAKE ARM ASSY.	1	INCLUDES ITEMS W/ +
18#+	11429911240	ADJUSTING SCREW	1	
19#+	26856060002	LOCK NUT 6	1	
20#	11421011660	EXHAUST ARM ASSY.	1	INCLUDES ITEMS W/ \$
22#\$	11429911240	ADJUSTING SCREW	1	
23#\$	26856060002	LOCK NUT 6	1	
24	11435011340	VALVE STEM SEAL	2	
25	11477111461	NOZZLE GASKET	1	
26	11429511470	NOZZLE SPACER	1	
27	10501011490	VALVE CAP	2	
28	11429911600	VALVE SPRING WASHER	2	
29	11421011900	NOZZLE RETAINER	1	
30	22351040008	SPRING PIN 4X8	1	
31	26106060402	BOLT M6X40 PLATED	2	
32	26226060552	STUD M6X55	2	
33	26366060002	NUT M6	2	
34	11421011310	BONNET GASKET	1	
35	11421011950	BONNET HEAD ASSY.....	1	INCLUDES ITEMS W/ %
37%	11421003590	DECOMP SHAFT ASSY.	1	
40%	11429903640	DECOMP SPRING	1	
42%	22312030160	PARALLEL PIN 3X16	1	
45	26106060552	BOLT M6X55 PLATED	1	

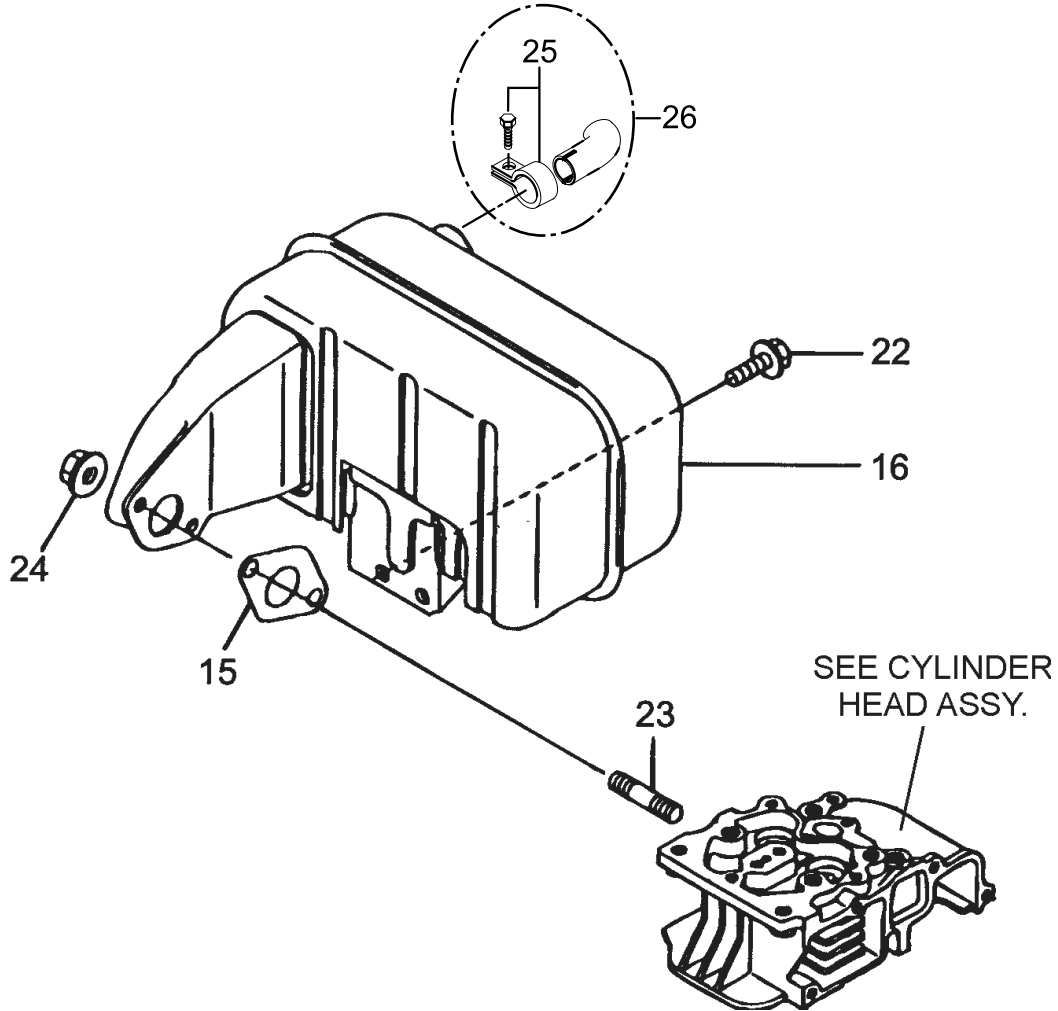
YANMAR L70V6 — AIR CLEANER ASSY.



YANMAR L70V6 — AIR CLEANER ASSY.

<u>NO.</u>	<u>PART NO.</u>	<u>PART NAME</u>	<u>QTY.</u>	<u>REMARKS</u>
1	11421012511	AIR CLEANER ASSY.....	1.....	INCLUDES ITEMS W/#
2#	11421012020	AIR CLEANER BODY	1	
3#	11421012520	AIR CLEANER COVER	1	
4#	11421012560	WING NUT	1	
6#	11421012580	STUD BOLT	1	
7#	11421012590	ELEMENT ASSY.	1	
10#	11421012600	KNOCKING KNOB	1	
11	11429912300	U-NUT	3	
12	11421012210	AIR CLEANER GASKET	1	
13	26106060202	BOLT M6X20 PLATED	1	
14	26226060302	STUD M6X30	3	

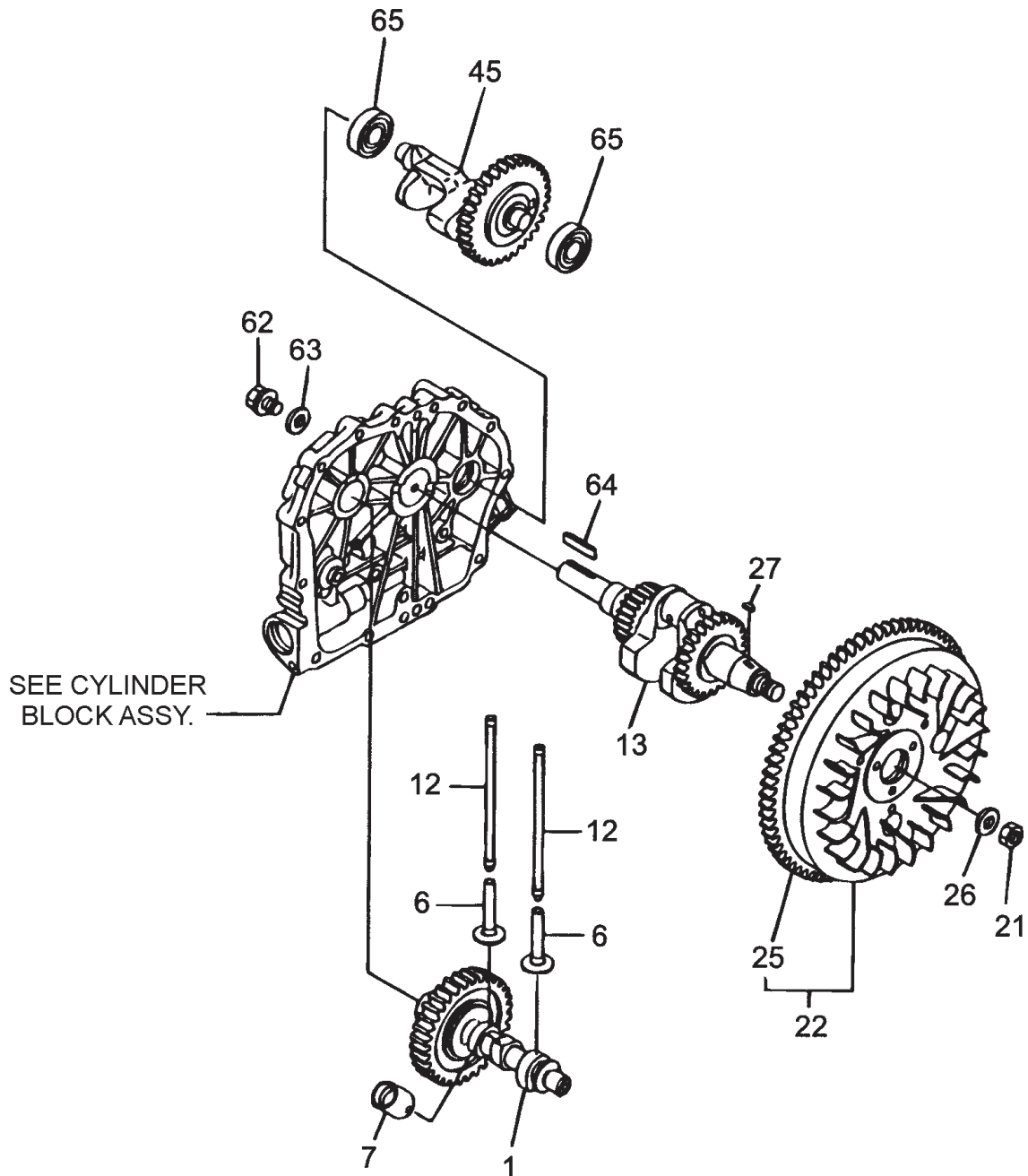
YANMAR L70V6 — MUFFLER ASSY.



YANMAR L70V6 — MUFFLER ASSY.

<u>NO.</u>	<u>PART NO.</u>	<u>PART NAME</u>	<u>QTY.</u>	<u>REMARKS</u>
15	11429913200	MUFFLER GASKET	1	
16	11439913520	MUFFLER ASSY.	1	
22	26106060142	BOLT M6X14 PLATED	2	
23	26216080182	STUD M8X18 PLATED	2	
24	26366080002	NUT M8	2	
25	11424913600	CLAMP	1	
26	11425213910	EXHAUST DEFECTOR	1	

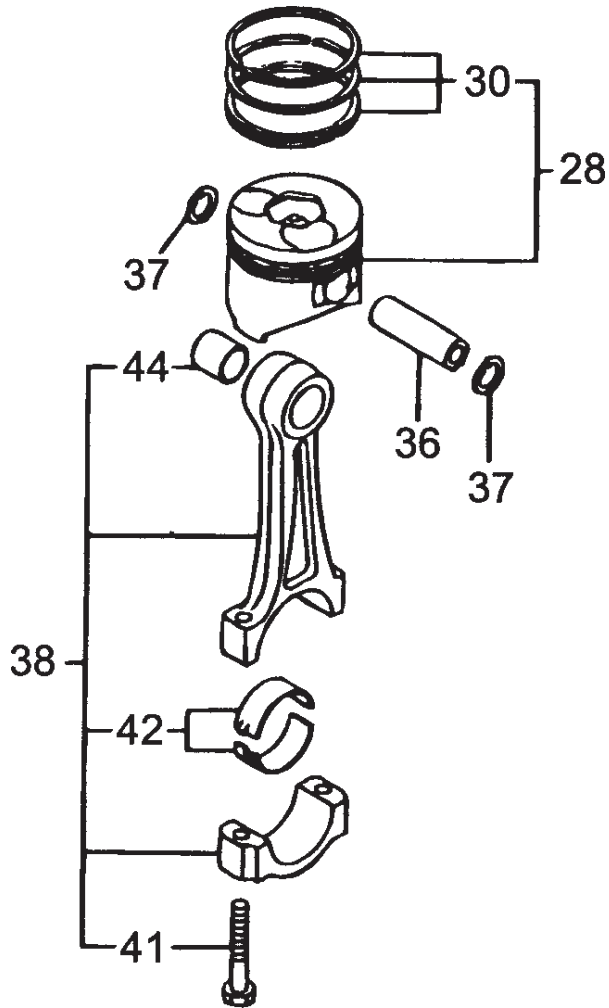
YANMAR L70V6 — CRANKSHAFT AND CAMSHAFT ASSY.



YANMAR L70V6 — CRANKSHAFT AND CAMSHAFT ASSY.

<u>NO.</u>	<u>PART NO.</u>	<u>PART NAME</u>	<u>QTY.</u>	<u>REMARKS</u>
1	71421014580	CAMSHAFT ASSY.	1	
6	11421014200	TAPPET	2	
7	11421014300	ROLLER TAPPET ASSY.	1	
12	11421014400	PUSH ROD ASSY.	2	
13	71421021740	CRANKSHAFT (D) ASSY.	1	
21	11429921220	NUT	1	
22	11439921590	FLYWHEEL (DE) ASSY.....	1.....	INCLUDES ITEM W/ #
25#	11436221600	RING GEAR	1	
26	11429921550	FLYWHEEL WASHER	1	
27	22512040120	KEY 4X12	1	
45	71421028510	BALANCER SHAFT ASSY.	1	
62	26106080202	BOLT M 8X20 PLATED	1	
63	16031014550	WASHER	1	
64	22512070360	KEY 7X36 RR	1	
65	24101062030	BEARING	2	

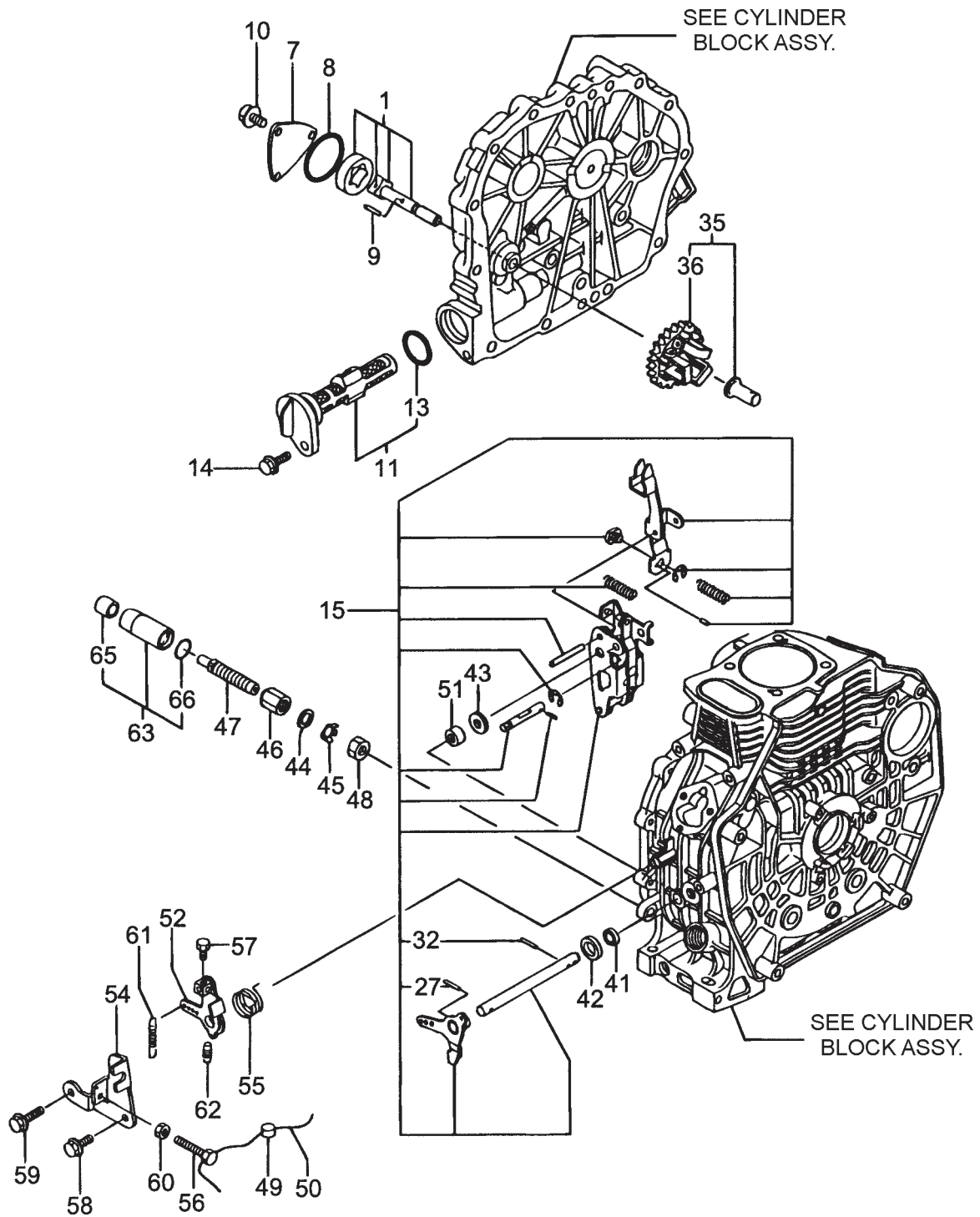
YANMAR L70V6 — PISTON ASSY.



YANMAR L70V6 — PISTON ASSY.

<u>NO.</u>	<u>PART NO.</u>	<u>PART NAME</u>	<u>QTY.</u>	<u>REMARKS</u>
28	71421022720	PISTON W/ RINGS STD.....	1.....	INCLUDES ITEMS W/#
28	71421022620	PISTON W/RINGS OS = 0.25	1.....	INCLUDES ITEMS W/\$
28	71421022580	PISTON W/RINGS OS = 0.50	1.....	INCLUDES ITEMS W/%
30#	71487022502	PISTON RINGS SET = STD.	1	
30\$	11487222140	PISTON RING SET OS = 0.25	1	
30%	11487222150	PISTON RING SET OS = 0.50	1	
36	11439922300	PISTON PIN	1	
37	22252000210	CIRCLIP 21	2	
38	71421023701	CONNECTING ROD ASSY.....	1.....	INCLUDES ITEMS W/@
41@	11820023200	ROD BOLT	2	
42@	11421023600	CRANK PIN BEARING STD.	1	
42	11421023610	CRANK BEARING PIN U.S. = 0.25	1.....	UNDERSIZED PART
42	11421023620	CRANK BEARING PIN U.S. = 0.50	1.....	UNDERSIZED PART
44@	11438023910	PISTON PIN BUSH	1	

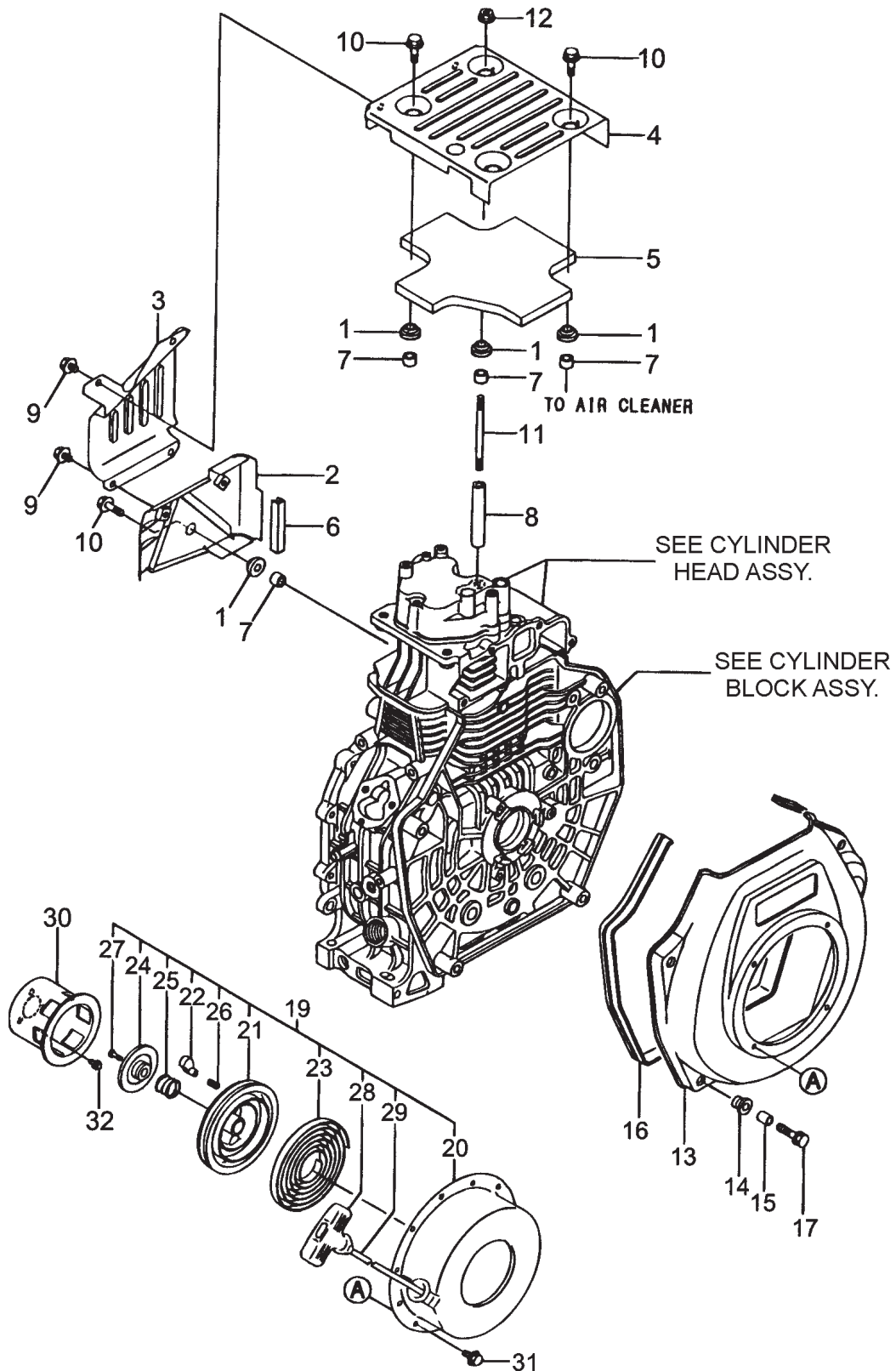
YANMAR L70V6 — LUB OIL PUMP AND GOVERNOR ASSY.



YANMAR L70V6 — LUB OIL PUMP AND GOVERNOR ASSY.

<u>NO.</u>	<u>PART NO.</u>	<u>PART NAME</u>	<u>QTY.</u>	<u>REMARKS</u>
1	11425032010	LUB. OIL PUMP ASSY.	1	
7	11429932070	LUB. OIL PUMP COVER	1	
8	11429932570	O-RING COVER	1	
9	22312030160	PARALLEL PIN 3X16	1	
10	26106060122	BOLT M 6X12 PLATED	3	
11	11425035110	LUBE OIL FILTER COMPLETE	1	INCLUDES ITEMS W/ \$
13\$	24341000224	O-RING 1A S- 22.4	1	
14	26106060162	BOLT M 6X16 PLATED	1	
15	11421061500	LEVER ASSY.	1	INCLUDES ITEMS W/ #
27#	22322030200	TAPER PIN 3X20	1	
32#	22322030200	TAPER PIN 3X20	1	
35	71421061700	GOVERNOR ASSY.	1	NCLUDES ITEMS W/ +
36+	11421061290	GOVERNOR WEIGHT ASSY.	1	
41	11429961600	OIL SEAL	1	
42	11477061610	THRUST WASHER	1	
43	11429961190	GOVERNOR WASHER	1	
44	11477161810	PLAIN WASHER 14	1	
45	11477161830	PLATE	1	
46	11429561940	NUT	1	
47	11477166600	FUEL LIMITER ASSY.	1	
48	11477166690	NUT M14	1	
49	11478061090	LEAD	1	
50	22451060000	WIRE 0.6	1	
51	11477061520	NEEDLE BEARING	2	
52	11425266051	REGULATOR HANDLE	1	
54	18336066110	REGULATOR BRACKET	1	
55	11429966250	RETURN SPRING	1	
56	11429966440	ADJUSTING BOLT	1	
57	10522566990	SCREW	1	
58	26106060142	BOLT M 6X14 PLATED	1	
59	26106060202	BOLT M 6X20 PLATED	1	
60	26756060002	LOCK NUT M6 PLATED	1	
61	11421066010	REGULATOR SPRING	1	
62	11429966200	RETURN SPRING	1	
63	11477161890	PROTECTOR COMPLETE	1	INCLUDES ITEMS W/ %
65%	11477161960	SPACER	1	
66%	24311000180	O-RING 1A P- 18.0	1	

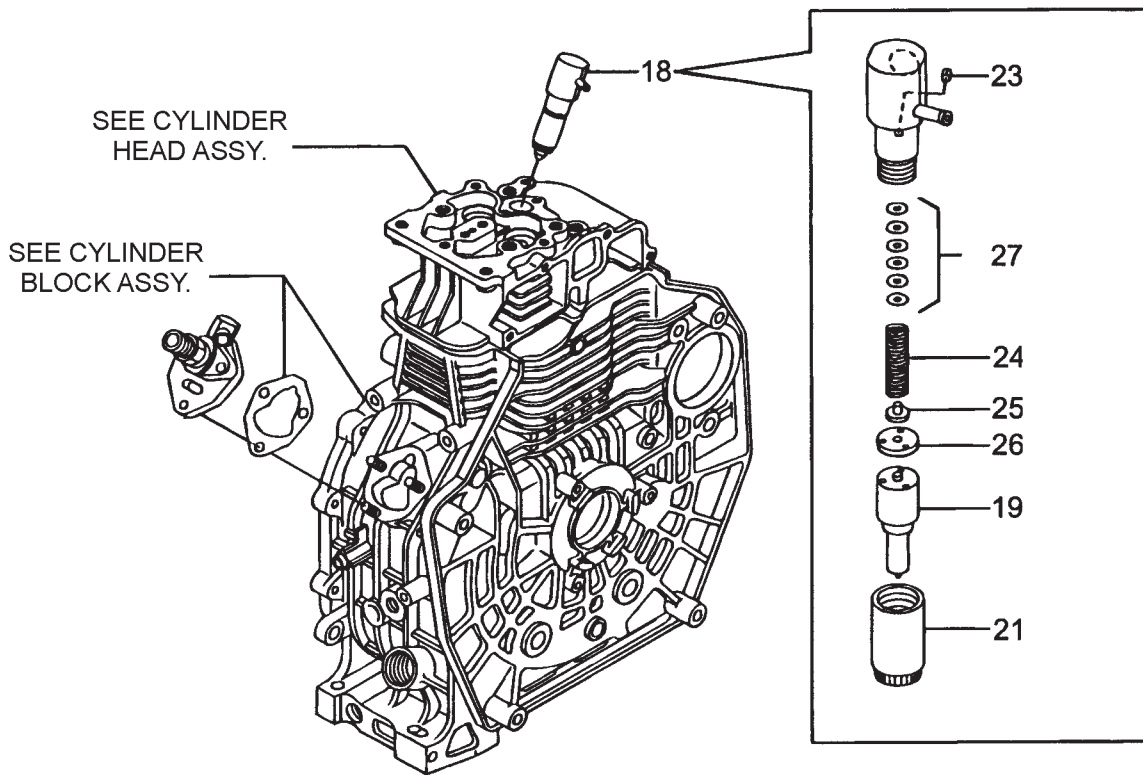
YANMAR L70V6 — COOLING AND STARTING DEVICE ASSY.



YANMAR L70V6 — COOLING AND STARTING DEVICE ASSY.

<u>NO.</u>	<u>PART NO.</u>	<u>PART NAME</u>	<u>QTY.</u>	<u>REMARKS</u>
1	11429945220	TANK GROMMET	5	
2	11421045260	SIDE COVER B (13)	1	
3	11421045270	SIDE COVER A (13)	1	
4	11421045300	TOP COVER, BLACK (13)	1	
5	11421045310	DAMPER	1	
6	11439945320	SEAL RUBBER	1	
7	11435045340	CYLINDER COLLAR COVER	5	
8	11421045350	TOP COVER SPACER	1	
9	26106060082	BOLT M 6X 8 PLATED	4	
10	26106060202	BOLT M 6X 20 PLATED	4	
11	26226060852	BOLT STUD 6X85	1	
12	26366060002	NUT M 6	1	
13	11421045100	FAN CASE (SILVER) (17)	1	
14	11429945300	CUSHION RUBBER	4	
15	11429945310	FAN CASE COLLAR	4	
16	11429945330	FAN CASE SEAL	1	
17	11429945350	FAN CASE BOLT	4	
19	11439976251	RECOIL STARTER (D) ASSY.	1	INCLUDES ITEMS W/ #
20#	11439976510	STARTER CASE	1	
21#	11439976521	RECOIL REEL	1	
22#	11439976530	RATCHET	1	
23#	11439976540	SPIRAL SPRING	1	
24#	11439976550	RATCHET COVER	1	
25#	11439976560	SPRING	1	
26#	11439976570	RETURN SPRING	1	
27#	11439976580	SCREW	1	
28#	11439976620	STARTER KNOB	1	
29#	11439976630	STARTER ROPE	1	
30	11439976590	STARTER PULLEY	1	
31	26106060082	BOLT M 6X 8 PLATED	4	
32	26106060122	BOLT M 6X 12 PLATED	3	

YANMAR L70V6 — FUEL INJECTION PUMP ASSY.



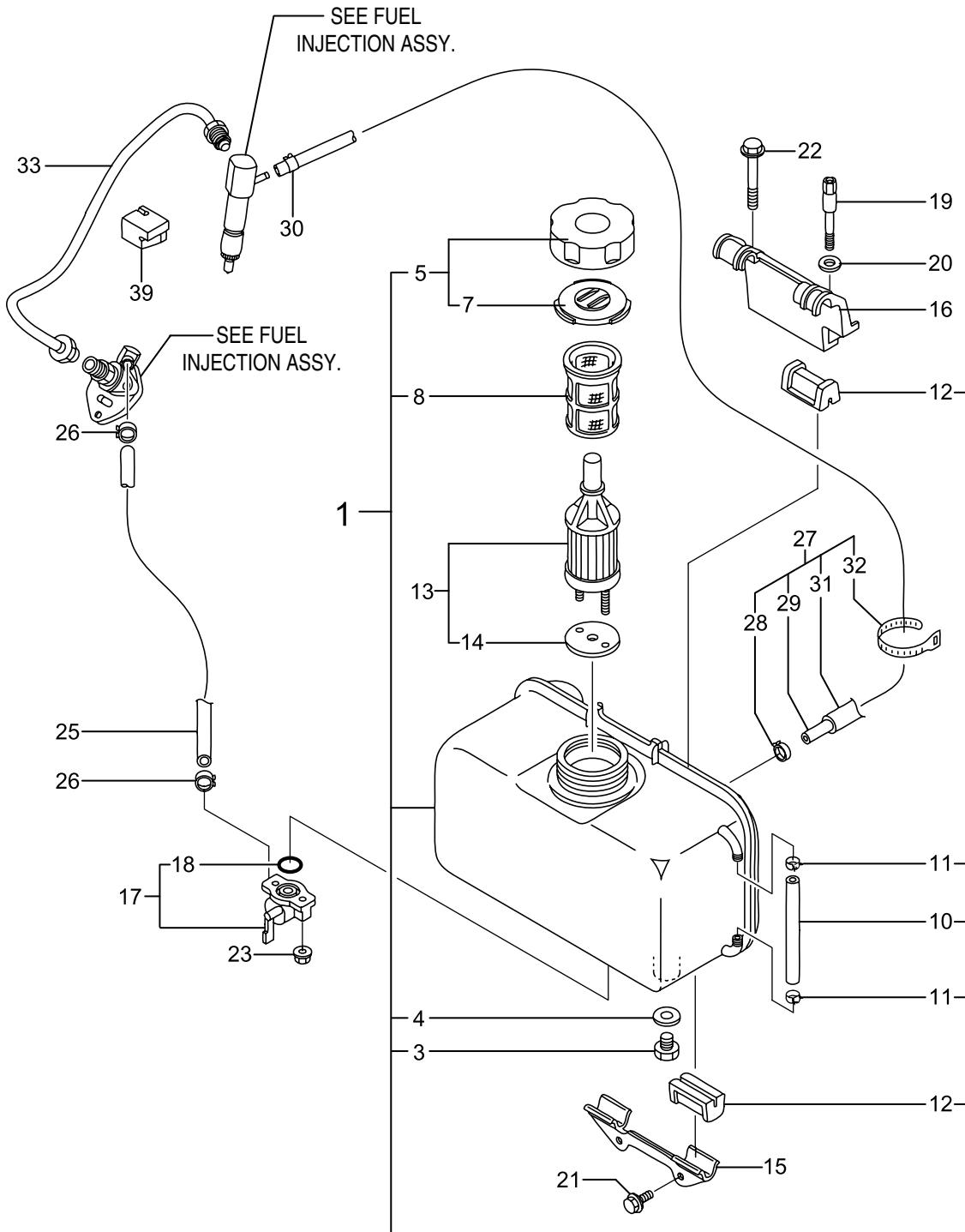
- T=1 00
- T=1 05
- T=1 10
- T=1 15
- T=1 20
- T=1 25
- T=1 30
- T=1 35
- T=1 40
- T=1 45
- T=1.50
- T=1 55
- T=1 60
- T=1 65
- T=1 70
- T=1 75
- T=1 80
- T=1 85
- T=1 90
- T=1 95
- T=2 00

SHIMS, USE AS
REQUIRED FOR
ITEM 27.

YANMAR L70V6 — FUEL INJECTION PUMP ASSY.

<u>NO.</u>	<u>PART NO.</u>	<u>PART NAME</u>	<u>QTY.</u>	<u>REMARKS</u>
1	71424951400	FUEL INJECTION PUMP ASSY.	1.....	INCLUDES ITEMS W/*
18	71421053100	FUEL INJECTOR.....	1.....	INCLUDES ITEMS W/\$
19\$	11421053000	NOZZLE ASSY.	1	
21\$	11421053080	NOZZLE NUT	1	
23\$	11421053330	PIN	1	
24\$	11421053120	NOZZLE SPRING	1	
25\$	11421053130	SPRING SEAT	1	
26\$	11421053140	VALVE SPACER ASSY.	1	
27\$	11421053410	SHIM (T=1.00)	1	
27	11421053420	SHIM (T=1.05)	1	
27	11421053430	SHIM (T=1.10)	1	
27	11421053440	SHIM (T=1.15)	1	
27	11421053450	SHIM (T=1.20)	1	
27	11421053460	SHIM (T=1.25)	1	
27	11421053470	SHIM (T=1.30)	1	
27	11421053480	SHIM (T=1.35)	1	
27	11421053490	SHIM (T=1.40)	1	
27	11421053500	SHIM (T=1.45)	1	
27	11421053510	SHIM (T=1.50)	1	
27	11421053520	SHIM (T=1.55)	1	
27	11421053530	SHIM (T=1.60)	1	
27	11421053540	SHIM (T=1.65)	1	
27	11421053550	SHIM (T=1.70)	1	
27	11421053560	SHIM (T=1.75)	1	
27	11421053570	SHIM (T=1.80)	1	
27	11421053580	SHIM (T=1.85)	1	
27	11421053590	SHIM (T=1.90)	1	
27	11421053600	SHIM (T=1.95)	1	
27	11421053610	SHIM (T=2.00)	1	

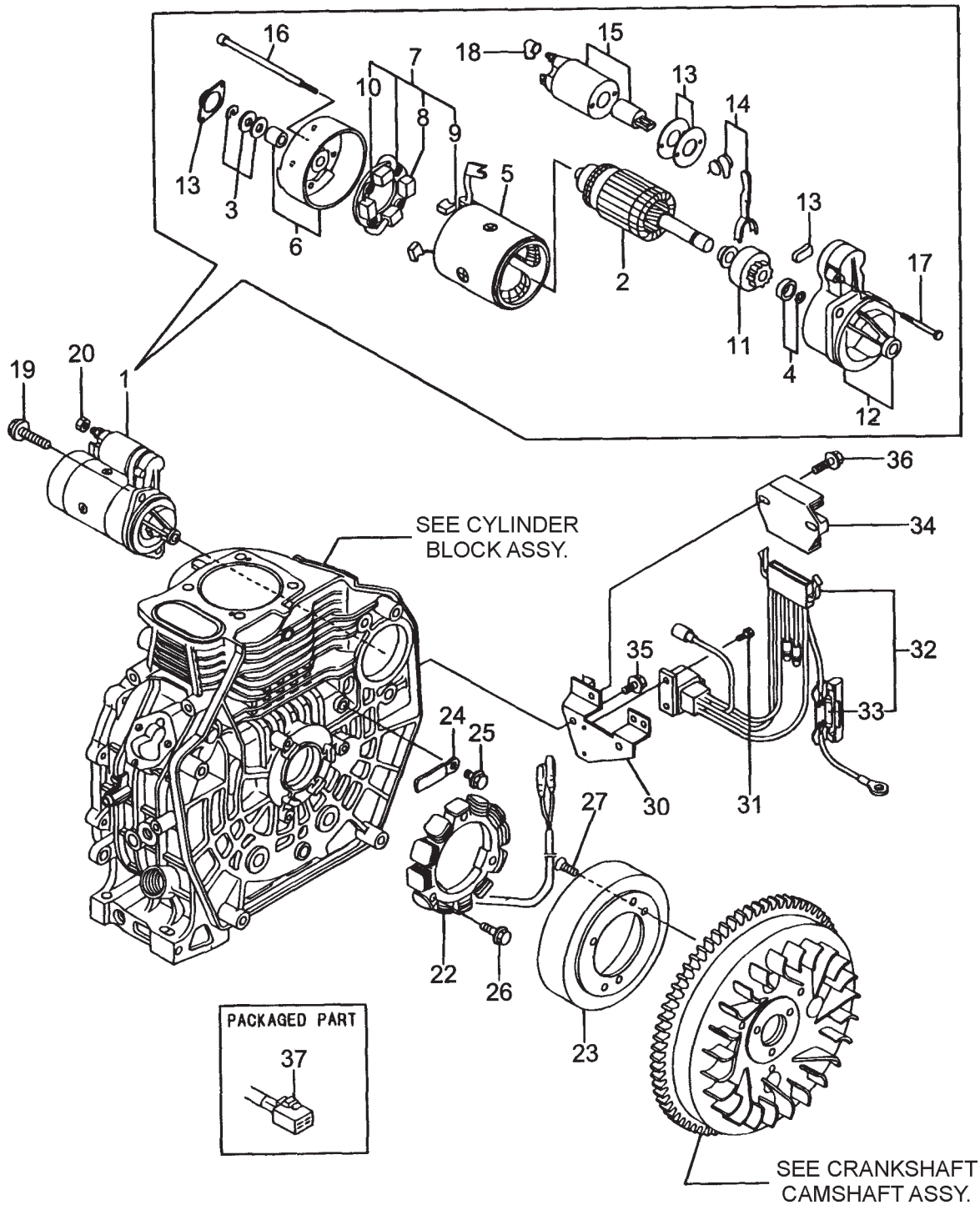
YANMAR L70V6 — FUEL TANK AND FUEL LINE ASSY.



YANMAR L70V6 — FUEL TANK AND FUEL LINE ASSY.

<u>NO.</u>	<u>PART NO.</u>	<u>PART NAME</u>	<u>QTY.</u>	<u>REMARKS</u>
1	71424955020	FUEL TANK, BLACK.....	1.....	INCLUDES ITEMS W/@
3@	11429955080	DRAIN PLUG	1	
4@	23414080000	PACKING 8	1	
5@	11428855041	FUEL TANK CAP ASSY.	1.....	INCLUDES ITEMS W/+
7@+	11428855081	CAP VALVE	1	
8	11425055100	FILTER, FUEL	1	
10	11435055150	PIPE GUAGE	1	
11	10385455220	CLAMP	2	
12	11425055201	FUEL TANK DAMPER	4	
13	11423955120	FUEL FILTER.....	1.....	INCLUDES ITEMS W/#
14#	11425055130	GASKET	1	
15	11421055210	FUEL TANK STAY A	1	
16	11421055230	FUEL TANK STAY B	1	
17	11424055300	FUEL COCK ASSY.	1.....	INCLUDES ITEMS W/ \$
18\$	24341000150	O-RING 1A S- 15.0	1	
19	11421055810	LIFTING BOLT	1	
20	22117080000	WASHER 8	1	
21	26106060162	BOLT M 6X 16 PLATED	2	
22	26106080452	BOLT M 8X 45 PLATED	1	
23	26366060002	NUT M6	2	
25>	11478059060	FUEL OIL PIPE	1	
26>	23080014000	CLAMP 14	2	
27	11423959300	RETURN PIPE ASSY.....	1.....	INCLUDES ITEMS W/%
28%	12472259050	CLAMP 9	1	
29%	11465059060	FUEL RETURN PIPE	1	
30	12406659100	CLAMP 8	1	
31%	11465259310	PROTECT TUBE	1	
32%	12175059890	RETAINER	1	
33	11421059800	FUEL INJECTION PIPE	1	
39	11421059850	INJECTION PIPE SUPPORT	1	

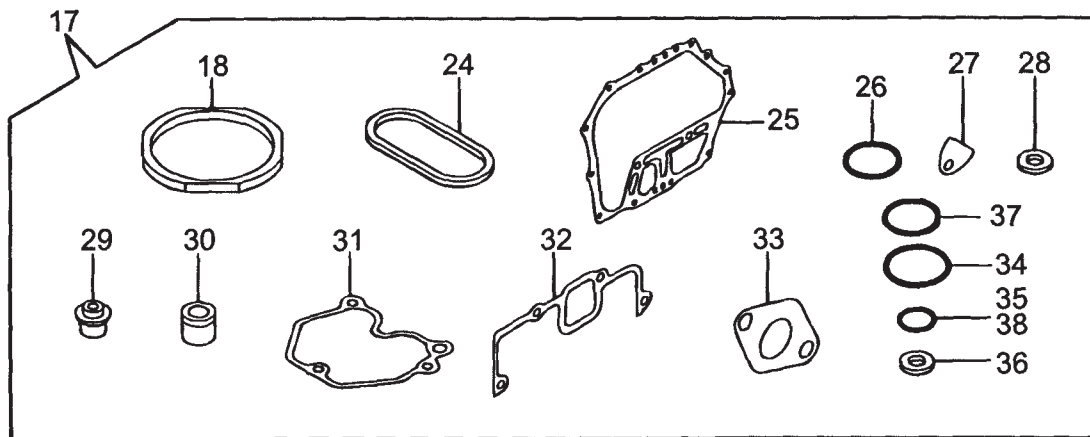
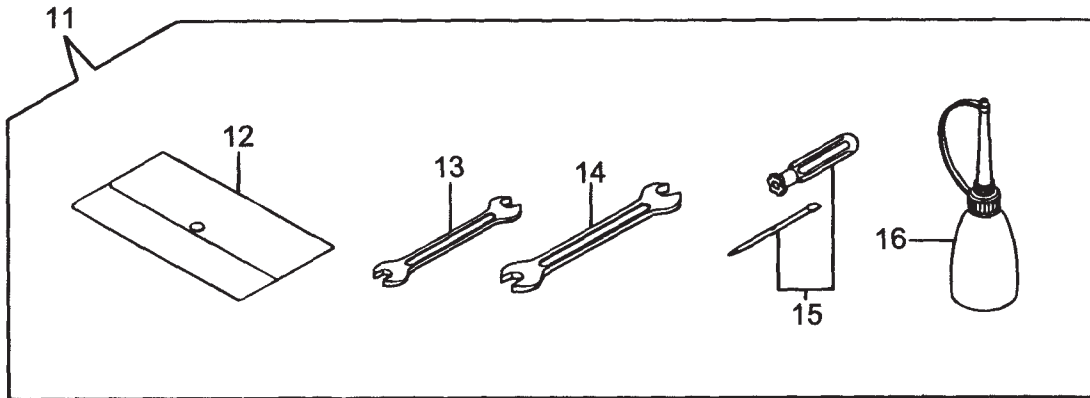
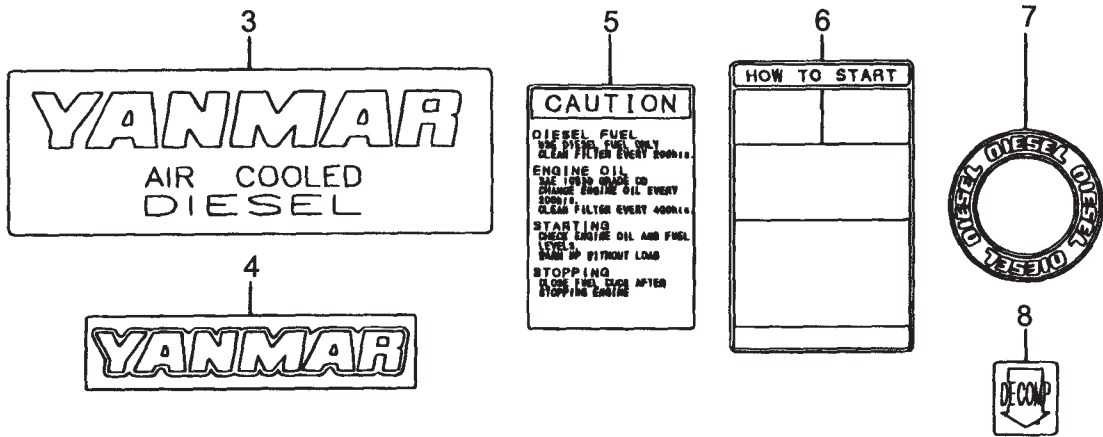
YANMAR L70V6 — STARTING MOTOR AND DYNAMO ASSY.



YANMAR L70V6 — STARTING MOTOR AND DYNAMO ASSY.

<u>NO.</u>	<u>PART NO.</u>	<u>PART NAME</u>	<u>QTY.</u>	<u>REMARKS</u>
1	71436277011	STARTER.....	1.....	INCLUDES ITEMS W/ \$
2 \$	11438177110	ARMATURE	1	
3 \$	X2114811000	THRUST WASHER KIT	1	
4 \$	X2114715500	PINION STOPPER SET	1	
5 \$	11438177130	FIELD COIL ASSY.	1	
6 \$	11438177140	REAR COVER	1	
7 \$	11437177160	BRUSH HOLDER ASSY.....	1.....	INCLUDES ITEMS W/#
8 \$#	11437179040	BRUSH (-)	2	
9 \$#	11437179050	BRUSH (+)	1	
10 \$#	11437179060	BRUSH SPRING	4	
11 \$	X211445508	PINION ASSY.	1	
12 \$	11438177151	GEAR HOUSING ASSY.	1	
13 \$	11437177170	DUST COVER KIT	1	
14 \$	11437177180	SHIFT LEVER KIT	1	
15 \$	12969877020	MAGNET SWITCH	1	
16 \$	11926077260	THROUGH BOLT	2	
17 \$	11437179070	BOLT M6X37	2	
18 \$	12125477810	TERMINAL COVER	1	
19	26106100302	BOLT M10X30 PLATED	2	
20	26716080002	NUT M8	1	
22	11439978730	STATOR ASSY.	1	
23	11439978740	DYNAMO WHEEL	1	
24	16026078700	CORD CLAMP	1	
25	26106060122	BOLT M6X12 PLATED	1	
26	26106060202	BOLT M6X20 PLATED	3	
27	26577060152	SCREW M6X15	3	
30	11434077400	HARNESS BRACKET	1	
31	26023040102	SCREW M4X10	2	
32	11435177540	WIRE HARNESS	1.....	INCLUDES ITEMS W/ %
33%	29411200000	CARTRIDGE FUSE 20A	2	
34	11434077710	REGULATOR	1	
35	26106060182	BOLT M6X18 PLATED	2	
36	26106060202	BOLT M6X20 PLATED	2	
37	11435177520	JOINT	1	

YANMAR L70V6 — TOOL, LABEL, AND GASKET ASSY.



YANMAR L70V6 — TOOL, LABEL, AND GASKET ASSY.

<u>NO.</u>	<u>PART NO.</u>	<u>PART NAME</u>	<u>QTY.</u>	<u>REMARKS</u>
3	11429907100	AIR COOLED LABEL	1	
4	11429907110	YANMAR LABEL	1	
5	11421007120	CAUTION LABEL	1	
6	11421007130	HOW TO START- E LABEL	1	
7	11429907160	DIESEL LABEL	1	
8	11421007200	DECOMPRESSION LABEL	1	
11	11429992590	TOOL ASSY.	1	INCLUDES ITEMS W/ %
12%	11429992600	TOOL BAG	1	
13%	11429992710	WRENCH, BOX	1	
14%	11429992720	WRENCH, BOX	1	
15%	11429992730	DRIVER	1	
16%	11429992740	FUEL FITTING	1	
17	71421092600	GASKET SET (NON- ASB).....	1	INCLUDES ITEMS W/ #
18#	11439501330	CYLINDER HEAD GASKET ASSY.	1	
24#	11435001380	O-RING	1	
25#	11435001412	CRANK CASE GASKET	1	
26#	24311000180	O-RING	2	
27#	11425001841	GASKET	1	
28#	22190160002	WASHER SEAL 16S	2	
29#	11435011340	VALVE STEM SEAL	2	
30#	11477111461	NOZZLE GASKET	1	
31#	11421011310	BONNET GASKET	1	
32#	11421012210	AIR CLEANER GASKET	1	
33#	11429913200	MUFFLER GASKET	1	
34#	11429932570	O-RING COVER	1	
35#	24341000100	O-RING 1A S- 10.0	1	
36#	23414080000	PACKING 8	1	
37#	24341000224	O-RING 1A S- 22.4	1	
38#	24341000150	O-RING 1A S-15.0	1	