

PARTS MANUAL



Mikasa SERIES
MODEL MVC82VE/VEW
ONE-WAY PLATE COMPACTOR
(ROBIN EX170D40103 ENGINE)

Revision #1 (07/06/20)

THIS MANUAL MUST ACCOMPANY THE EQUIPMENT AT ALL TIMES.

TABLE OF CONTENTS

MVC82VE/VEW

Plate Compactor

Explanation Of Code In Remarks Column.....	4
Suggested Spare Parts	5

Component Drawings

Nameplate And Decals.....	6-7
Body Assembly	8-9
Vibrator Assembly	10-11
Water Tank Assembly (MVC82VEW Only)	12-13

Robin EX170D40103 Engine

Crankcase Assembly	14-15
Crankshaft And Piston Assembly	16-17
Camshaft Assembly	18-19
Air Cleaner Assembly	20-21
Governor Assembly	22-23
Cooling And Starting Assembly	24-25
Fuel Tank Assembly	26-27
Carburetor Assembly	28-29
Flywheel Assembly	30-31
Muffler Assembly	32-33
Cylinder Head Assembly	34-35
Accessories	36-37

NOTICE

Specifications and part numbers are subject to change without notice.

EXPLANATION OF CODE IN REMARKS COLUMN

The following section explains the different symbols and remarks used in the Parts section of this manual. Use the help numbers found on the back page of the manual if there are any questions.

NOTICE

The contents and part numbers listed in the parts section are subject to change **without notice**. Multiquip does not guarantee the availability of the parts listed.

SAMPLE PARTS LIST

NO.	PART NO.	PART NAME	QTY.	REMARKS
1	12345	BOLT	1	INCLUDES ITEMS W/%
2%		WASHER, 1/4 IN.		NOT SOLD SEPARATELY
2%	12347	WASHER, 3/8 IN. ...	1	MQ-45T ONLY
3	12348	HOSE	A/R	MAKE LOCALLY
4	12349	BEARING	1	S/N 2345B AND ABOVE

NO. Column

Unique Symbols — All items with same unique symbol (@, #, +, %, or >) in the number column belong to the same assembly or kit, which is indicated by a note in the “Remarks” column.

Duplicate Item Numbers — Duplicate numbers indicate multiple part numbers, which are in effect for the same general item, such as different size saw blade guards in use or a part that has been updated on newer versions of the same machine.

NOTICE

When ordering a part that has more than one item number listed, check the remarks column for help in determining the proper part to order.

PART NO. Column

Numbers Used — Part numbers can be indicated by a number, a blank entry, or TBD.

TBD (To Be Determined) is generally used to show a part that has not been assigned a formal part number at the time of publication.

A blank entry generally indicates that the item is not sold separately or is not sold by Multiquip. Other entries will be clarified in the “Remarks” Column.

QTY. Column

Numbers Used — Item quantity can be indicated by a number, a blank entry, or A/R.

A/R (As Required) is generally used for hoses or other parts that are sold in bulk and cut to length.

A blank entry generally indicates that the item is not sold separately. Other entries will be clarified in the “Remarks” Column.

REMARKS Column

Some of the most common notes found in the “Remarks” Column are listed below. Other additional notes needed to describe the item can also be shown.

Assembly/Kit — All items on the parts list with the same unique symbol will be included when this item is purchased.

Indicated by:

“INCLUDES ITEMS W/(unique symbol)”

Serial Number Break — Used to list an effective serial number range where a particular part is used.

Indicated by:

“S/N XXXXX AND BELOW”

“S/N XXXX AND ABOVE”

“S/N XXXX TO S/N XXX”

Specific Model Number Use — Indicates that the part is used only with the specific model number or model number variant listed. It can also be used to show a part is NOT used on a specific model or model number variant.

Indicated by:

“XXXXX ONLY”

“NOT USED ON XXXX”

“Make/Obtain Locally” — Indicates that the part can be purchased at any hardware shop or made out of available items. Examples include battery cables, shims, and certain washers and nuts.

“Not Sold Separately” — Indicates that an item cannot be purchased as a separate item and is either part of an assembly/kit that can be purchased, or is not available for sale through Multiquip.

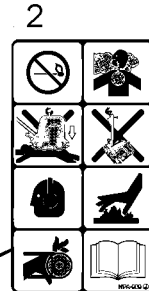
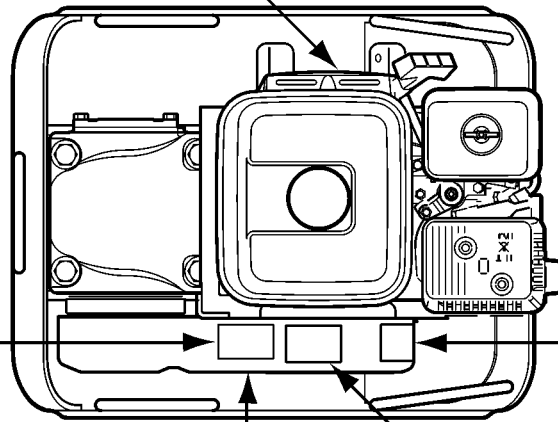
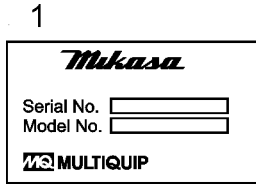
SUGGESTED SPARE PARTS

MVC82VE/VEW PLATE COMPACTOR WITH ROBIN EX170D40103 ENGINE

1 to 3 units

<u>QTY.</u>	<u>P/N</u>	<u>DESCRIPTION</u>
3.....	070100312.....	V-BELT
4.....	939010254.....	SHOCK ABSORBER
3.....	0650140150.....	SPARK PLUG
1.....	2825011118.....	ROPE, RECOIL STARTER
3.....	2773261107.....	ELEMENT, AIR CLEANER
1.....	0430430060.....	CAP, FUEL TANK
1.....	X641360010.....	FUEL FILTER, FUEL TANK

NAMEPLATE AND DECALS



5

CAUTION

○ Fill up the sumps with oil before starting.
Engine : Automobile engine oil SAE 10-30
Vibrator: Automobile engine oil SAE 10-30

○ Warm up the engine at idle speed for 3-5 minutes. NPA-306 ①

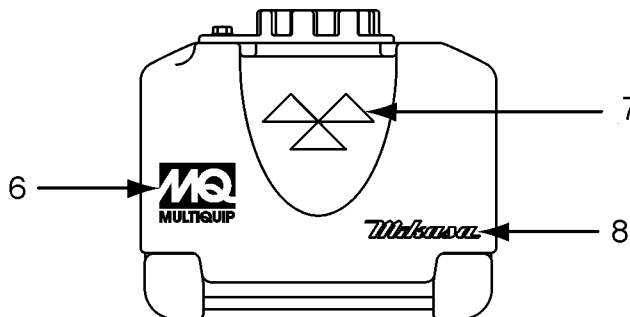
4

V-Belt RPF-3310
NPA-799

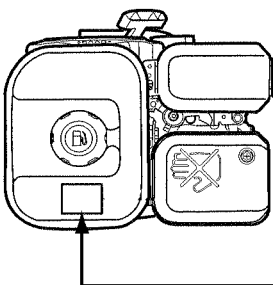
3

CAUTION

Since spilled fuel could ignite if it comes into contact with hot engine parts, always pour fuel from the **recoil starter side** of the compactor. Allow engine to **cool** before refueling. Wipe up any spilled fuel immediately.



Robin EX170D40103



9

CAUTION!

READ OWNERS SERVICE MANUAL BEFORE OPERATING OR SERVICING THIS MACHINE.
ALWAYS KEEP UNAUTHORIZED INEXPERIENCED, UNTRAINED PEOPLE AWAY FROM THIS MACHINE.
MAKE SURE ALL SAFETY DEVICES ARE OPERATIONAL BEFORE THIS MACHINE IS STARTED. BE SURE ENGINE IS TURNED OFF AND SPARK PLUGS ARE DISCONNECTED BEFORE SERVICING THE MACHINE OR COMING IN CONTACT WITH ANY MOVING PART. IF EQUIPMENT IS POWERED BY AN ELECTRICAL MOTOR, DISCONNECT ELECTRICAL PLUG.
NEVER LEAVE MACHINE UNATTENDED WHEN OPERATING. ALWAYS STOP ENGINE AND ALLOW ENGINE TO COOL BEFORE ADDING FUEL OR OIL.

NPA-329 ②

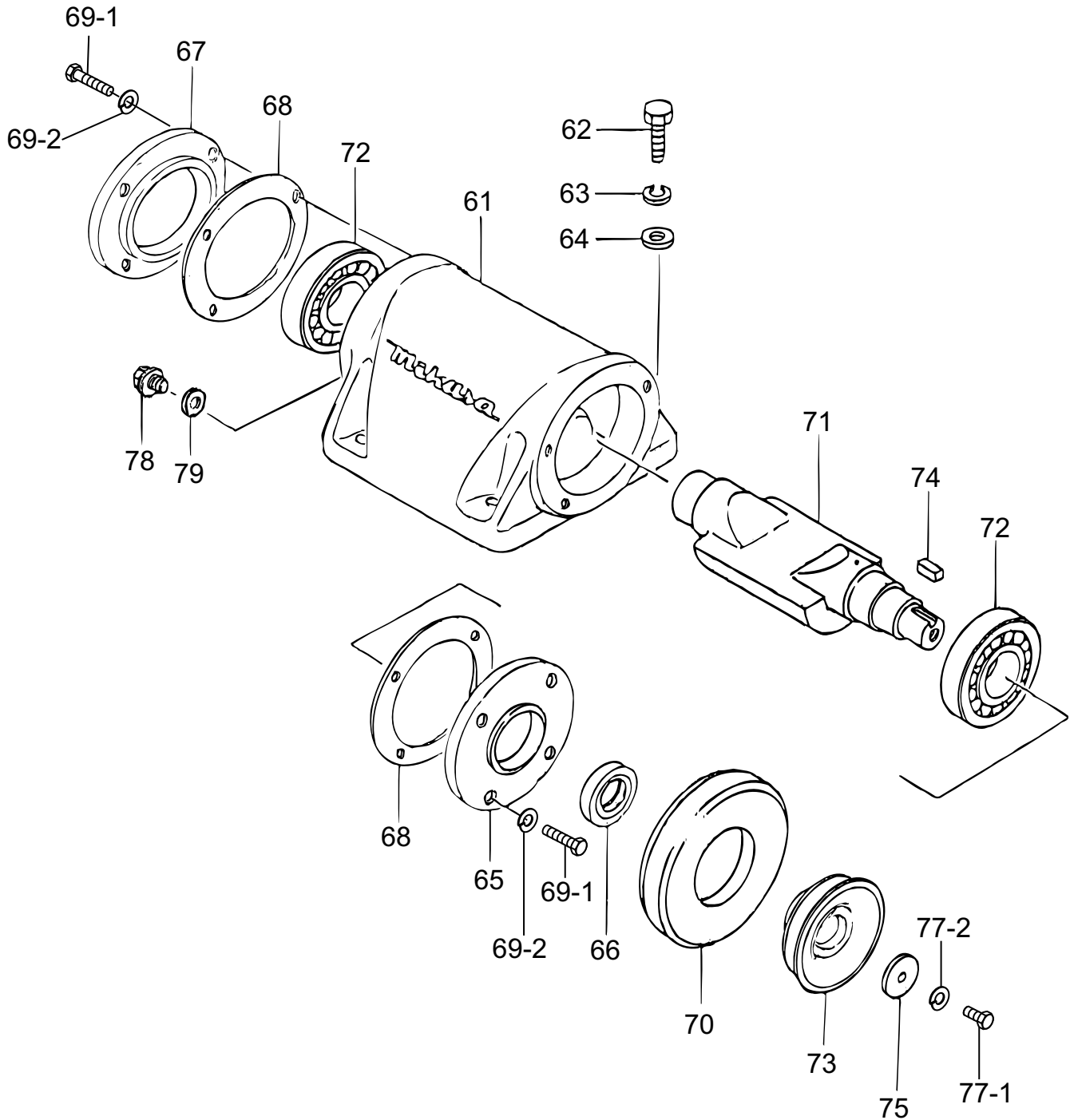
NAMEPLATE AND DECALS

<u>NO.</u>	<u>PART NO.</u>	<u>PART NAME</u>	<u>QTY.</u>	<u>REMARKS</u>
1		PLATE, SERIAL NO.....	1	CONTACT MQ PARTS DEPT.
2	920209890	DECAL, CAUTION (ICON)	1	NPA-989
3	920212320	DECAL, FUEL CAUTION	1	NPA-1232
4	920207590	DECAL, V-BELT (RPF-3310).....	1	NPA-759
5	920203060	DECAL, CAUTION	1	NPA-306
6	920201580	DECAL, MQ MARK 71X55	1	
7	920101410	DECAL, MIKASA MARK 120X60	1	
8	920105070	DECAL, MIKASA MARK 125MM	1	
9	920203290	DECAL, CAUTION	1	NPA-329

BODY ASSY.

<u>NO.</u>	<u>PART NO.</u>	<u>PART NAME</u>	<u>QTY.</u>	<u>REMARKS</u>
1	419119550	VIB. PLATE 570X450	1	
3	939010254	SHOCK ABSORBER D45H41	4	
4	959404350	EARTH WIRE	1	
5	020310080	NUT M10	8	
6	030210250	WASHER, LOCK M10	8	
7	031110160	WASHER, FLAT M10	4	
11	911221703	ENGINE ASSY, EX170D40103	1	
13	413436870	ENGINE NUT, REAR	1	
14-1	001220840	BOLT 8X40 T	2	
14-2	030208200	WASHER, LOCK M8	2	
14-3	031108160	WASHER, FLAT M8	2	
16	031108160	WASHER, FLAT M8	1	
17	022710809	NYLON NUT M8	1	
21	952400130	WASHER 9304	1	
23	070100312	V-BELT RPF3310	1	
25	418216470	BELT COVER	1	
26-1	001221035	BOLT 10X35 T	1	
26-2	030210250	WASHER, LOCK M10	1	
26-3	031110160	WASHER, FLAT M10	1	
27	418216480	BELT COVER (IN)	1	
28-1	001221053	BOLT 10X65 T	1	
28-2	030210250	WASHER, LOCK M10	1	
28-3	031110160	WASHER, FLAT M10	1	
29	418343420	COVER SEAL (E/G)	1	
31	020308060	NUT M8	4	
32	030208200	WASHER, LOCK M8	4	
33	031108160	WASHER, FLAT M8	2	
36	419217800	BASE	1	
37	418457750	BOLT, ENGINE	1	
38	408421270	CLUTCH SPACER 20.2X25X9.4	1	
39	413332920	CLUTCH ASSY S20A1-124	1	
40	0053005201	KEY	1	
41-1	001220820	BOLT 8X20 T	1	
41-2	030208200	WASHER, LOCK M8	1	
42	939010290	RUBBER, HANDLE	2	
45	404433430	RUBBER 20X32X28.5/52H	2	
46	952403450	WASHER 11X35X4.5	2	
47-1	001221020	BOLT 10X20 T	2	
47-2	030210250	WASHER, LOCK M10	2	
60	419910010	VAS HANDLE ASSY	1INCLUDES ITEMS W/ #
61#	419219560	VAS HANDLE BODY	1	
62#	419217810	GRIP, VAS HANDLE	1	
63#	416459320	HANDLE NUT, VAS HANDLE	2	
64#	416459340	RUBBER, VAS HANDLE	2	
65#	009120407	SUNK HEAD BOLT 10X20 T	2	

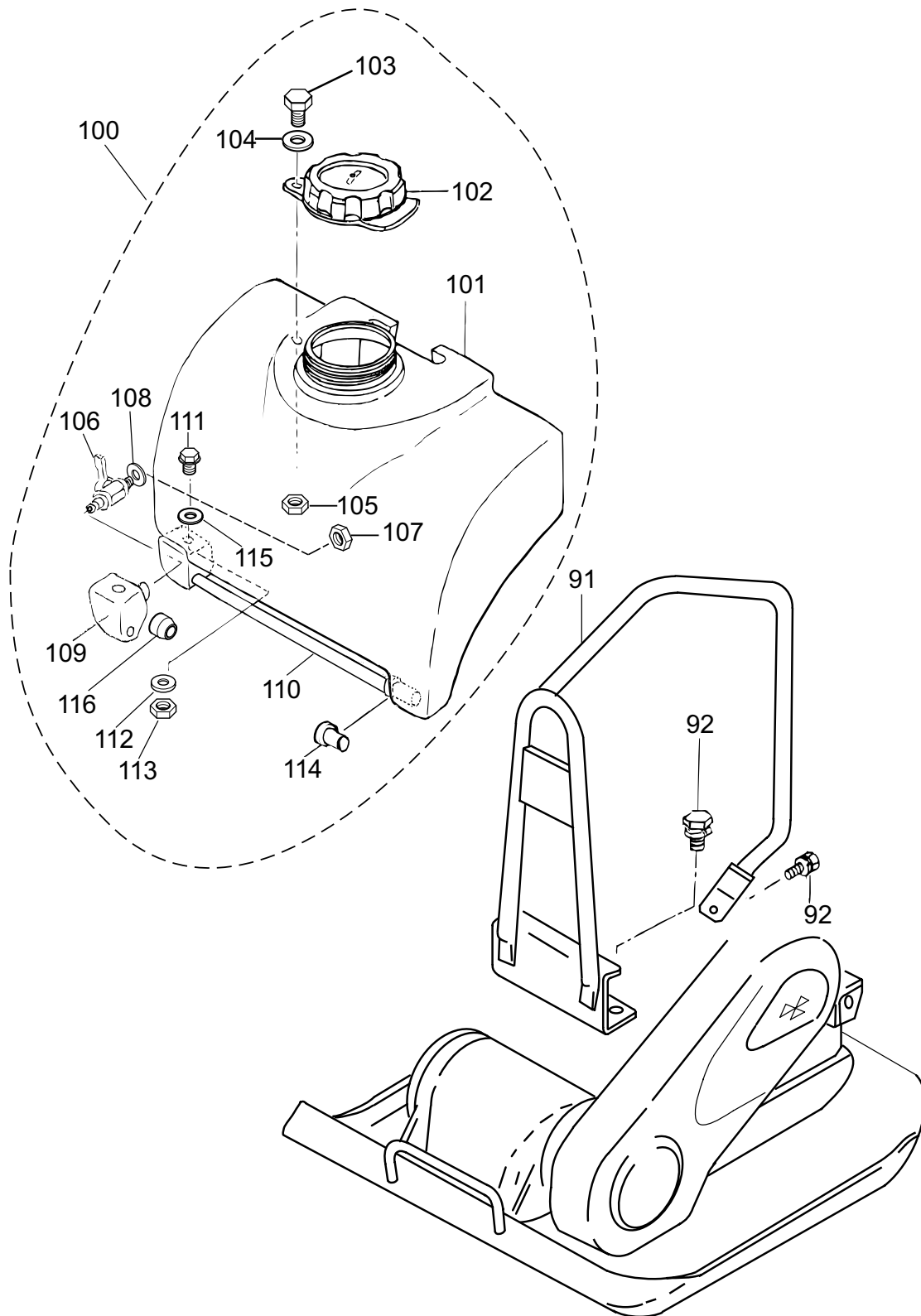
VIBRATOR ASSY.



VIBRATOR ASSY.

<u>NO.</u>	<u>PART NO.</u>	<u>PART NAME</u>	<u>QTY.</u>	<u>REMARKS</u>
61	418117730	VIBRATING CASE	1	
62	001221445	BOLT 14X45 T	4	
63	030214350	WASHER, LOCK M14	4	
64	031114260	WASHER, FLAT M14	4	
65	418456950	CASE COVER/PULLEY	1	
66	060403020	OIL SEAL TC-30458	1	
67	418456960	CASE COVER/SHUT OFF	1	
68	418456970	PACKING	2	
69-1	001220820	BOLT 8X20 T	8	
69-2	030208200	WASHER, LOCK M8	8	
70	418460130	COVER SEAL, VIBRATOR	1	
71	418343630	ECC. ROTOR SHAFT	1	
72	040406307	BEARING 6307C4	2	
73	418456981	PULLEY/VIB.	1	
74	951401920	KEY 7X7X30	1	
75	952403450	WASHER 11X35X4.5	1	
77-1	001221030	BOLT 10X30 T	1	
77-2	030210250	WASHER, LOCK M10	1	
78	953400270	PLUG 1/4X14 10L	1	
79	953405260	PACKING 1/4 (CU)	1	

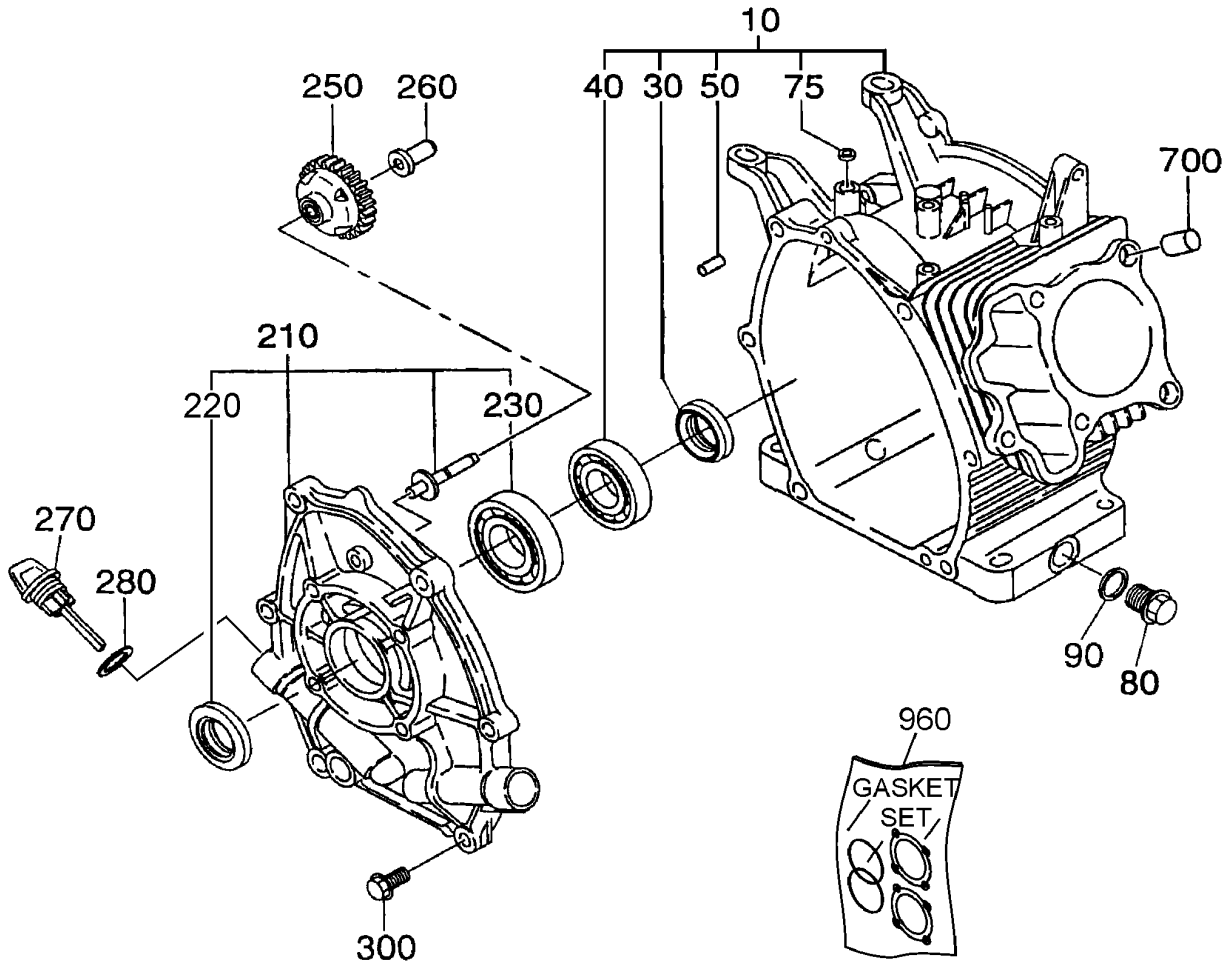
WATER TANK ASSY. (MVC82VIEW ONLY)



WATER TANK ASSY. (MVC82VEW ONLY)

<u>NO.</u>	<u>PART NO.</u>	<u>PART NAME</u>	<u>QTY.</u>	<u>REMARKS</u>
91	418118581	GUARD HOOK	1	
92	002211025	BOLT 10X25 H, SW	3	
100	52693	WATER TANK ASSY	1	INCLUDES ITEMS W/ \$
101\$	418910080	WATER TANK W/CAP (ORANGE)	1	INCLUDES ITEMS W/ #
102#\$	954300342	CAP, WATER TANK (NBR)	1	
103#\$	001241030	BOLT 10X30 U	1	
104#\$	033910010	WASHER 10.5X21X2 SUS	2	
105#\$	022910180	NYLON NUT M10 (SUS)	1	
106\$	954403241	COCK PT1/4, BH-1211(AL)	1	
107\$	959403790	NUT PS-1/4	1	
108\$	418458320	PACKING 11.5X19.5X2	1	
109\$	418345150	PIPE HOLDER	1	
110\$	418345160	SPRINKLING PIPE	1	
111\$	001740825	FLANGE BOLT 8X25 (SUS)	1	
112\$	033910110	WASHER, FLAT M8 (SUS)	2	
113\$	020308064	NUT M8 (SUS)	1	
114\$	418459330	RUBBER CAP	1	
115\$	416453780	PACKING 8X19X2T	1	
116\$	418457890	RUBBER (SPRINKLINK)	2	

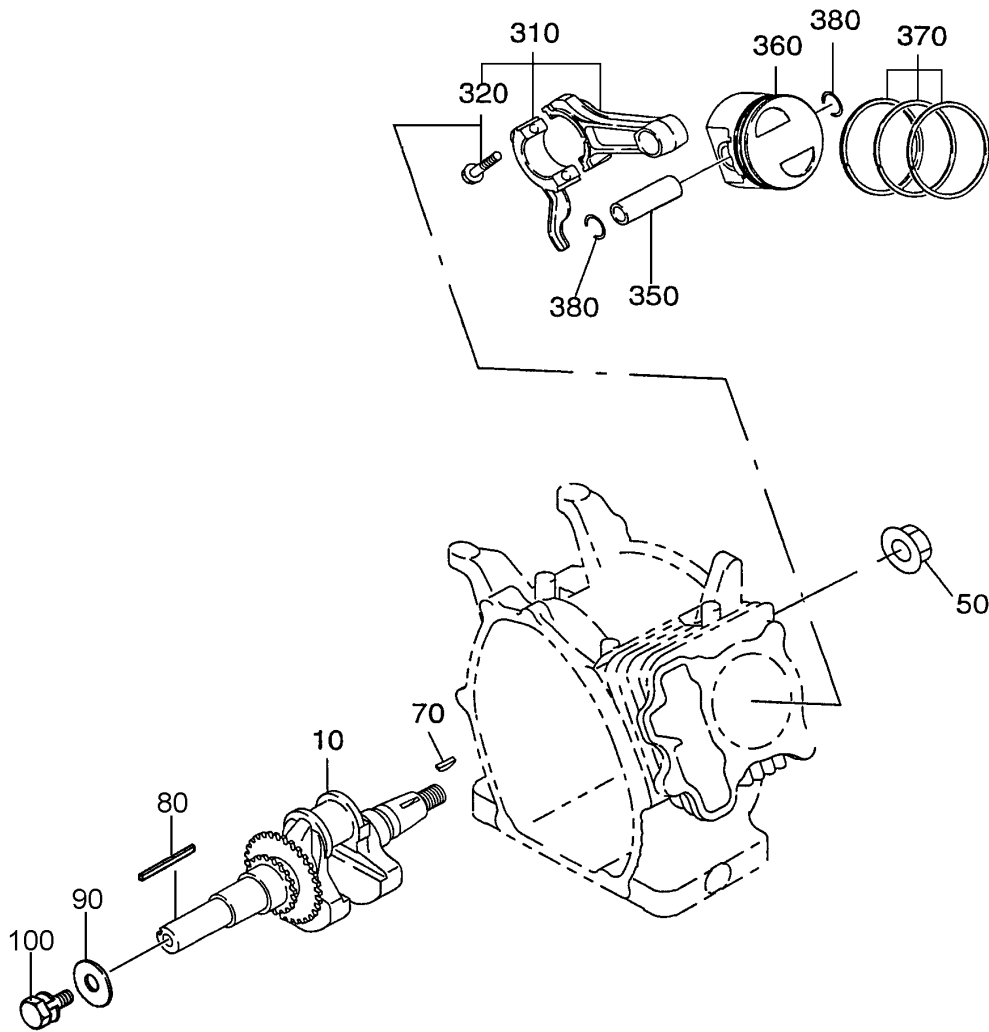
ROBIN EX170D40103 ENGINE — CRANKCASE ASSY.



ROBIN EX170D40103 ENGINE — CRANKCASE ASSY.

NO.	PART NO.	PART NAME	QTY.	REMARKS
10	2771010241	CRANK CASE CP W/OIL SENSOR.....	1	INCLUDES ITEMS W/ #
30#	0440250200	OIL SEAL	1	
40#	0600280021	BALL BEARING	1	
50#	2771501103	PIPE KNOCK	2	
75#	0440060020	OIL SEAL	1	
80	0401140030	PLUG	2	
90	0211140020	GASKET	2	
210	2771100131	MAIN BEARING COVER C.....	1	INCLUDES ITEMS W/ \$
220\$	0440250210	OIL SEAL	1	
230\$	0600250140	BALL BEARING	1	
250	27745004J1	GOVERNOR GEAR CP	1	
260	2774190103	GOVERNOR SLEEVE	1	
270	2776360123	OIL GAUGE	2	
280	0213160020	GASKET	2	
300	0010408350	FLANGE BOLT	6	
700	2771501103	PIPE KNOCK	2	
960	2779900127	GASKET SET	1	

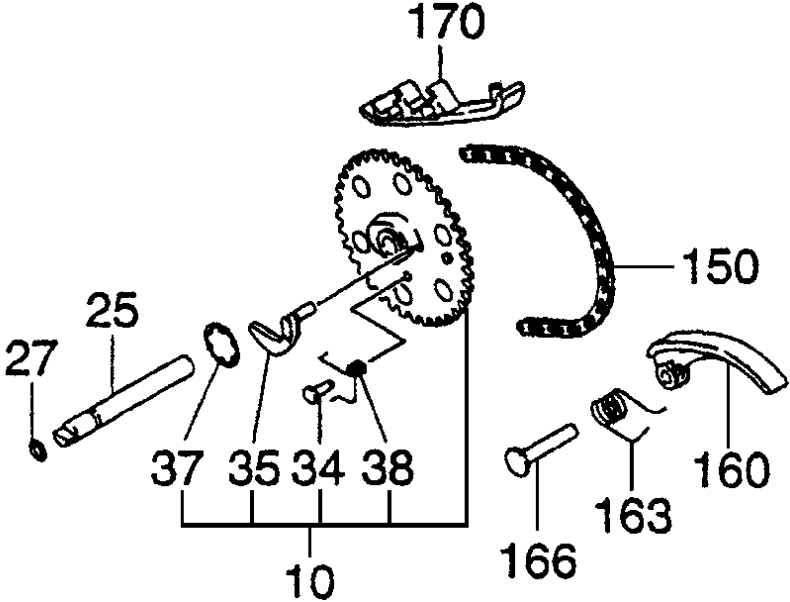
ROBIN EX170D40103 ENGINE — CRANKSHAFT, PISTON ASSY.



ROBIN EX170D40103 ENGINE — CRANKSHAFT, PISTON ASSY.

<u>NO.</u>	<u>PART NO.</u>	<u>PART NAME</u>	<u>QTY.</u>	<u>REMARKS</u>
10	2772020141	CRANKSHAFT CP	1	
50	0180140020	FLANGE NUT	1	
70	0323030010	WOODRUFF KEY	1	
80	0320050150	KEY	1	
90	0200080140	WASHER	1	
100	0110080250	FLANGE BOLT	1	
310	2772250110	CONNECTING ROD ASSY, 84.5CDX25B 30D-16D ...	1	INCLUDES ITEM W/ #
310	2772250200	CONNECTING ROD ASSY, 0.25 U.S.	1	INCLUDES ITEM W/ #
320#	2772300103	CONNECTING ROD BOLT	2	
350	2772330113	PISTON PIN	1	
360	27723401J3	PISTON, STD (67Dx40H)	1	
360	27723403J3	PISTON, 0.25 O.S. (67Dx40H)	1	
360	27723404J3	PISTON, 0.50 O.S. (67Dx40H)	1	
370	2772351137	PISTON RING SET, STD(67D)	1	
370	2772351217	PISTON RING SET, 0.25 O.S.	1	
370	2772351317	PISTON RING SET, 0.50 O.S.	1	
380	0565160010	CLIP	2	

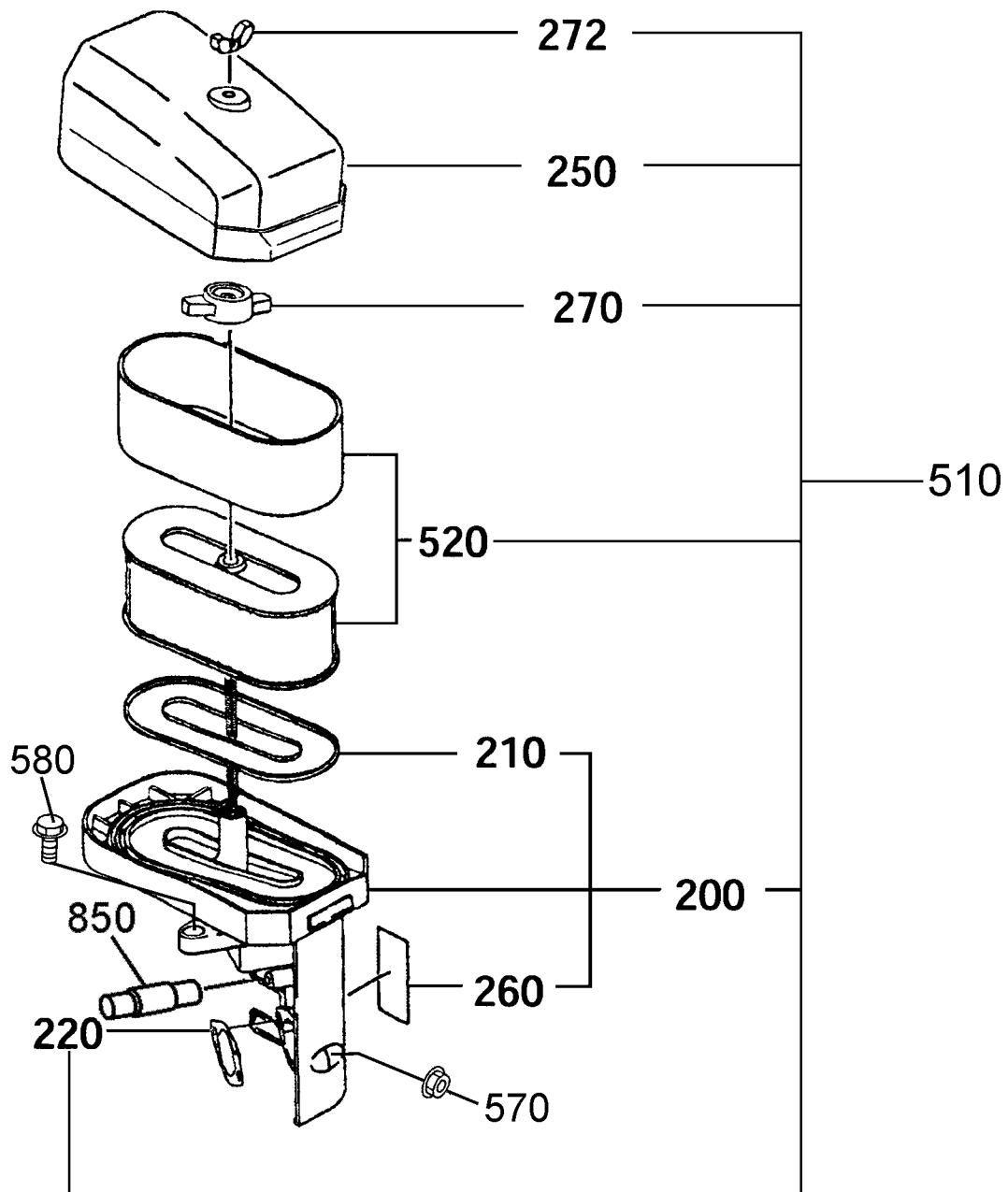
ROBIN EX170D40103 ENGINE — CAMSHAFT ASSY.



ROBIN EX170D40103 ENGINE — CAMSHAFT ASSY.

<u>NO.</u>	<u>PART NO.</u>	<u>PART NAME</u>	<u>QTY.</u>	<u>REMARKS</u>
10	2773160131	CAMSHAFT CP.....	1	INCLUDES ITEMS W/ #
25	2773510103	PIN (CAMSHAFT)	1	
27	0240060010	O RING	1	
34#	2773860103	PIN (SPRING)	1	
35#	2773640103	RELEASE LEVER	1	
37#	2773650103	CLIP	1	
38#	2773870203	RETURN SPRING	1	
150	2773560111	TIMING CHAIN CP	1	
160	2773691103	TENSIONER	1	
163	2773710103	SPRING (TENSIONER)	1	
166	2773690203	PIN (TENSIONER)	1	
170	2773691313	CHAIN GUIDE	1	

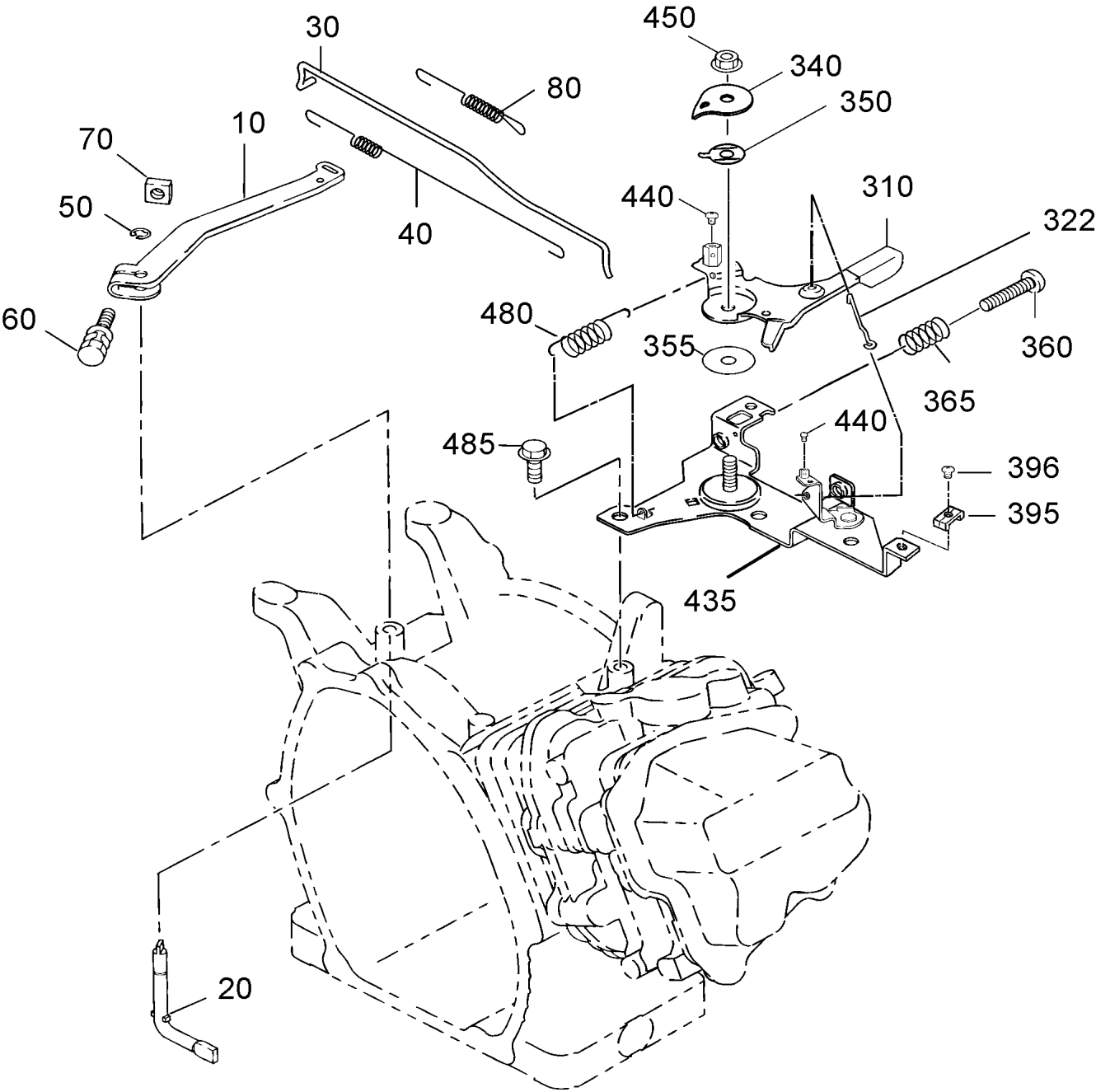
ROBIN EX170D40103 ENGINE — AIR CLEANER ASSY.



ROBIN EX170D40103 ENGINE — AIR CLEANER ASSY.

<u>NO.</u>	<u>PART NO.</u>	<u>PART NAME</u>	<u>QTY.</u>	<u>REMARKS</u>
510	2773261520	AIR CLEANER ASSY.....	1	INCLUDES ITEMS W/ #
200#	2773263018	BASE CP.....	1	INCLUDES ITEMS W/ \$
210#	2773261008	PACKING	1	
220#	2773260408	PACKING	1	
250#	2773264008	COVER CP	1	
260#	2773260908	LABEL	1	
270#	2773274118	WING NUT	1	
272#	2773260708	WING NUT	1	
520#	2773261107	ELEMENT SET	1	
570	0023806000	FLANGE NUT	2	
580	0110060050	FLANGE BOLT	1	
850	2773276008	BREATHER PIPE	1	

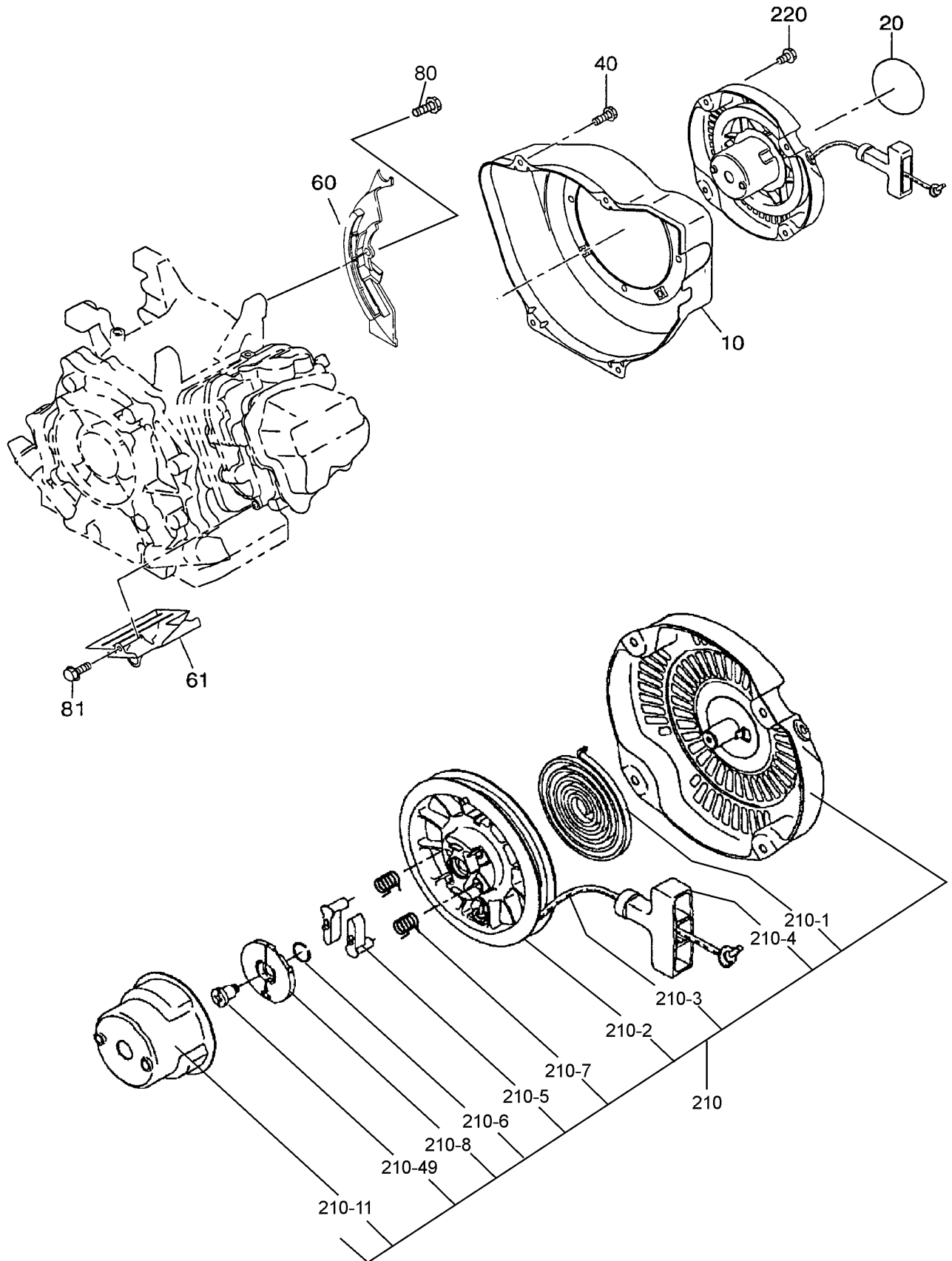
ROBIN EX170D40103 ENGINE — GOVERNOR ASSY.



ROBIN EX170D40103 ENGINE — GOVERNOR ASSY.

<u>NO.</u>	<u>PART NO.</u>	<u>PART NAME</u>	<u>QTY.</u>	<u>REMARKS</u>
10	2774230123	GOVERNOR LEVER	1	
20	2774220133	GOVERNOR SHAFT	1	
30	2774270111	GOVERNOR ROD CP	1	
40	2774280123	ROD SPRING	1	
50	0031305000	CLIP	1	
60	0130060240	BOLT AND WASHER ASSY	1	
70	0186060020	NUT	1	
80	2794250263	GOVERNOR SPRING	1	
310	2774330601	SPEED CONT.LEVER CP2	1	
322	2774370101	LINK ROD CP	1	
340	2774350203	STOP PLATE	1	
350	2774450103	WASHER	1	
355	0217060070	FRICTION WASHER	1	
360	0043106250	SCREW	1	
365	2374500423	SPRING (ADJUST)	1	
395	2774390203	CLAMP	1	
396	0131050030	SCREW AND WASHER ASSY	1	
435	2774600201	SPEED CONT. BRACKET CP	1	
440	0043104080	SCREW	1	
450	0023506000	SELF LOCK NUT	1	
480	2774510303	RETURN SPRING	1	
485	0110060020	FLANGE BOLT	2	

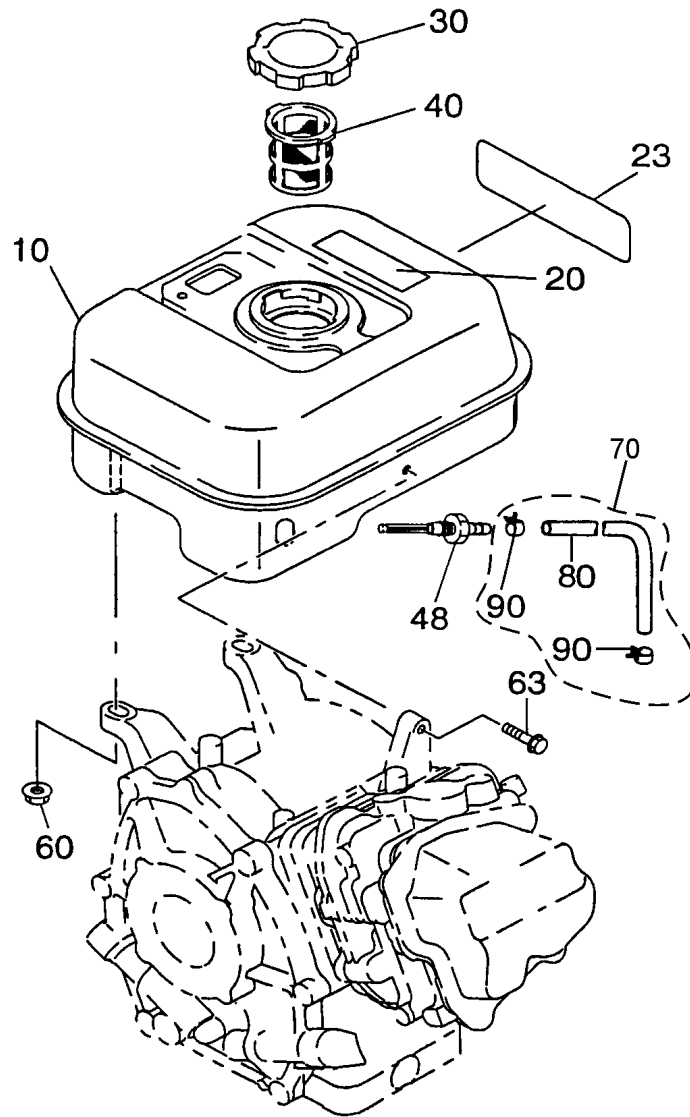
ROBIN EX170D40103 ENGINE — COOLING, STARTING ASSY.



ROBIN EX170D40103 ENGINE — COOLING, STARTING ASSY.

<u>NO.</u>	<u>PART NO.</u>	<u>PART NAME</u>	<u>QTY.</u>	<u>REMARKS</u>
10	2775120201	BLOWER HOUSING CP	1	
20	0732005470	LABEL (TRADEMARK)	1	
40	0110060030	FLANGE BOLT	4	
60	2775271121	BAFFLE 1 (CASE) CP	1	
61	2775270203	BAFFLE 2 (HEAD)	1	
80	0010406160	FLANGE BOLT	1	
81	0110060020	FLANGE BOLT	1	
210	2695020130	RECOIL STARTER ASSY	1INCLUDES ITEMS W/ #
210-1#	2705011508	SPIRAL SPRING	1	
210-2#	2695012008	REEL	1	
210-3#	2825011118	STARTER ROPE	1	
210-4#	2615010008	STARTER KNOB	1	
210-5#	2705012508	RATCHET	2	
210-6#	2275013108	FRICTION SPRING	1	
210-7#	2275013508	RETURN SPRING	2	
210-8#	2705026108	RATCHET GUIDE	1	
210-11#	2695014518	STARTER PULLEY	1	
210-49#	2275015208	SET SCREW	1	
220	0110060010	FLANGE BOLT	4	

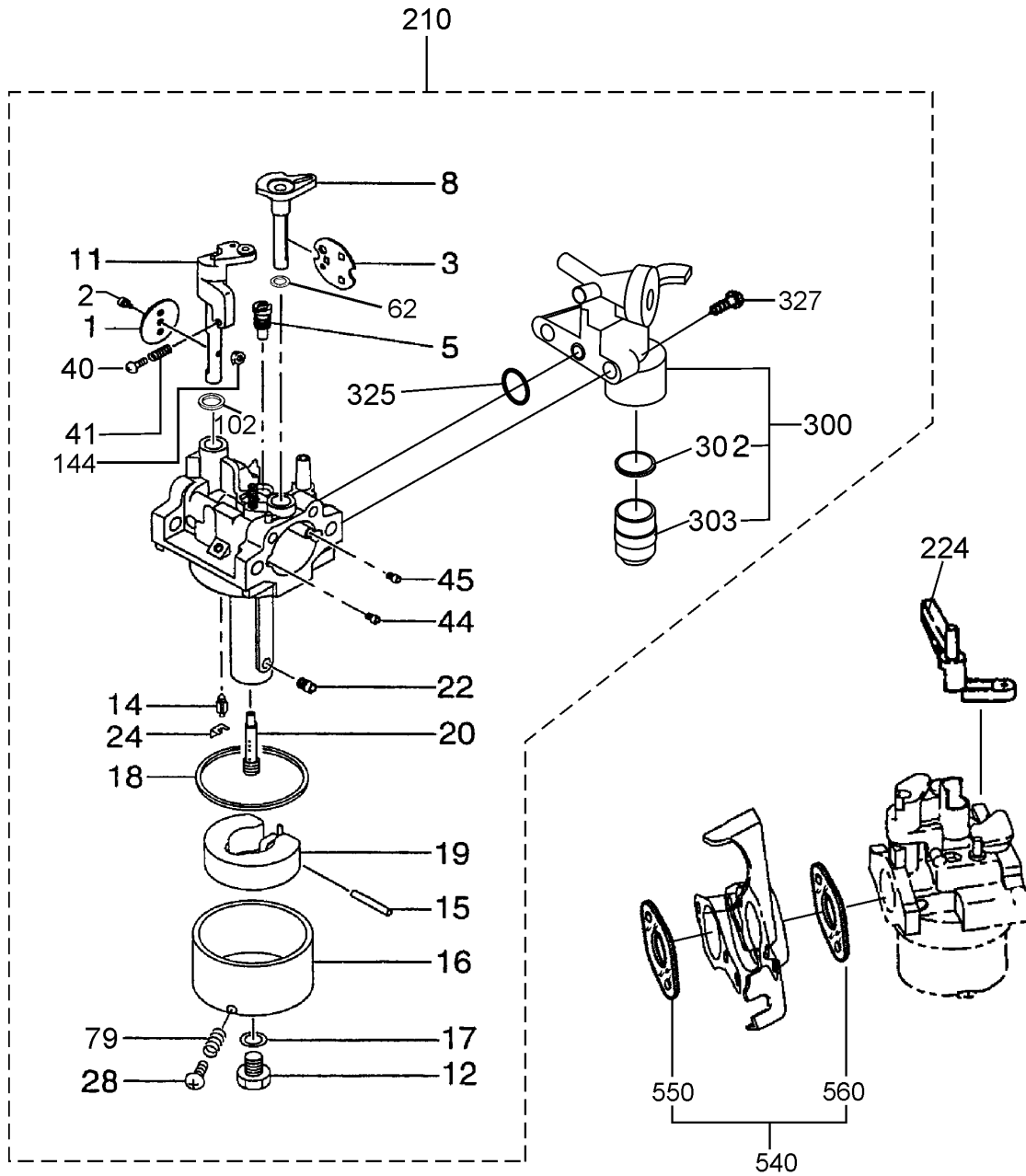
ROBIN EX170D40103 ENGINE — FUEL TANK ASSY.



ROBIN EX170D40103 ENGINE — FUEL TANK ASSY.

<u>NO.</u>	<u>PART NO.</u>	<u>PART NAME</u>	<u>QTY.</u>	<u>REMARKS</u>
10	2776010211	FUEL TANK CP	1	
20	0732005181	LABEL (WARNING)	1	
23	2779511103	LABEL (MODEL)	1	
30	0430430060	FUEL TANK CAP CP	1	
40	X641360010	FUEL FILTER	1	
48	X505120020	UNION	1	
60	0023806000	FLANGE NUT	2	
63	0110060130	FLANGE BOLT	1	
70	2776260111	FUEL PIPE CP	1INCLUDES ITEMS W/ #
80#	X851061351	RUBBER PIPE	1	
90#	X561110060	HOSE CLAMP	2	

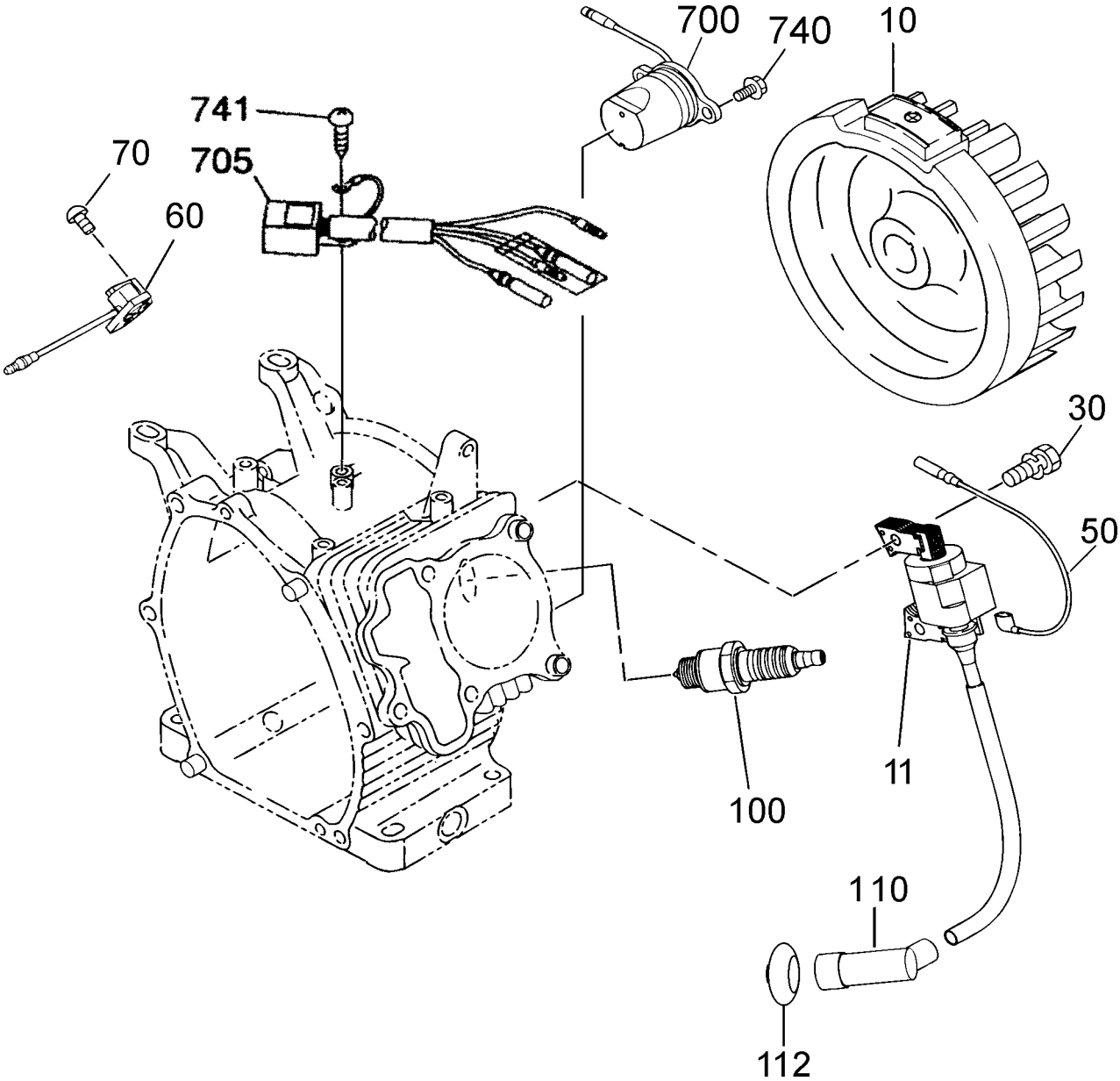
ROBIN EX170D40103 ENGINE — CARBURETOR ASSY.



ROBIN EX170D40103 ENGINE — CARBURETOR ASSY.

<u>NO.</u>	<u>PART NO.</u>	<u>PART NAME</u>	<u>QTY.</u>	<u>REMARKS</u>
210	2776230230	CARBURETOR ASSY.....	1	INCLUDES ITEMS W/ #
1#	2776253508	THROTTLE VALVE	1	
2#	2096235108	SCREW	1	
3#	2776252508	CHOKE VALVE	1	
5#	2466242008	PILOT JET	1	
8#	2776252008	CHOKE LEVER	1	
11#	2776253118	THROTTLE SHAFT A	1	
12#	2276245108	BOLT	1	
14#	2776250008	NEEDLE	1	
15#	2776251508	PIN	1	
16#	2776250608	FLOAT BODY ASSY	1	
17#	2146245008	PACKING	1	
18#	2146254008	CHAMBER PACKING	1	
19#	2266250608	FLOAT	1	
20#	2776244008	MAIN NOZZLE	1	
22#	2266241208	MAIN JET	1	
24#	2266270118	CLIP	1	
28#	2776236008	BOLT	1	
40#	1066255608	SCREW	1	
41#	2836235708	SPRING	1	
44#	2486241008	AIR JET	1	
45#	1066241008	AIR JET (PILOT)	1	
62#	2366268008	SEAL	1	
79#	2366254108	PACKING	1	
102#	2466239008	SEAL	1	
144#	2776255308	NUT	1	
224	2774380101	CHOKE LEVER CP	1	
300#	2796210310	COCK BODY A.....	1	INCLUDES ITEMS W/ \$
302#\$	2776211018	PACKING	1	
303#\$	2776210018	CUP	1	
325#	2776255208	O RING	1	
327#	1656237708	SCREW	2	
540	27732902J1	INSULATOR CP.....	1	INCLUDES ITEMS W/ &
550&	27735903J3	GASKET2 (INSULATOR)	1	
560&	27735902J3	GASKET1 (INSULATOR)	1	

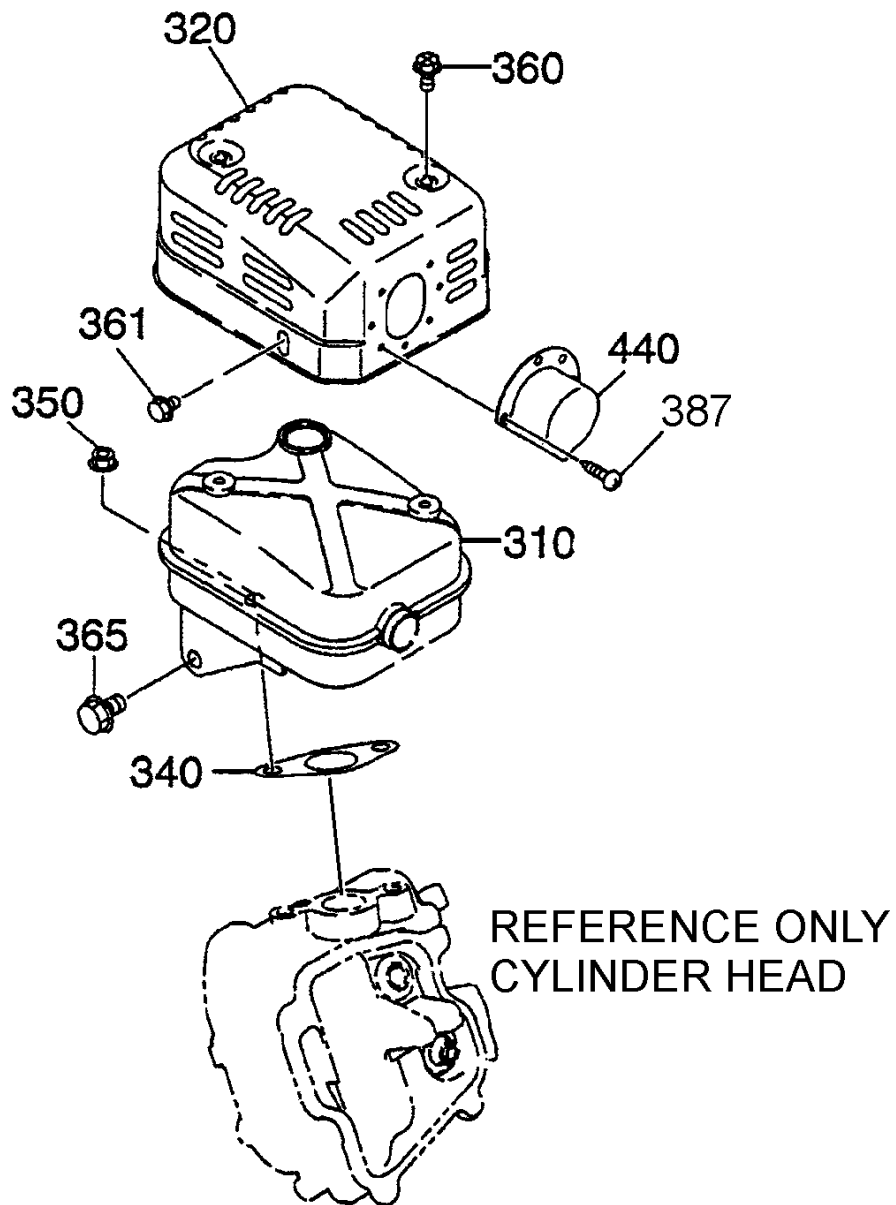
ROBIN EX170D40103 ENGINE — FLYWHEEL ASSY.



ROBIN EX170D40103 ENGINE — FLYWHEEL ASSY.

<u>NO.</u>	<u>PART NO.</u>	<u>PART NAME</u>	<u>QTY.</u>	<u>REMARKS</u>
10	2777923011	FLYWHEEL CP	1	
11	2777943111	IGNITION COIL CP 7527	1	MARK BM3803
11	2777943101	IGNITION COIL CP 7526	1	MARK BM3790 2777943111
30	0011406250	BOLT AND WASHER ASSY	2	
50	27773102H1	WIRE 2 CP	1	
60	0660000470	SWITCH ASSY	1	
70	0150040090	TAPPING SCREW M4X12L	2	
100	0650140150	SPARK PLUG, NGK BR6HS	1	
110	0655000270	SPARK PLUG CAP	1	
112	2795520103	GROMMET (PLUG CAP)	1	
700	2777630121	OIL SENSOR CP	1	
705	KU31104311	FLOAT C/U CP3	1	
740	0011406160	BOLT AND WASHER ASSY	2	
741	0152050010	TAPPING SCREW	1	

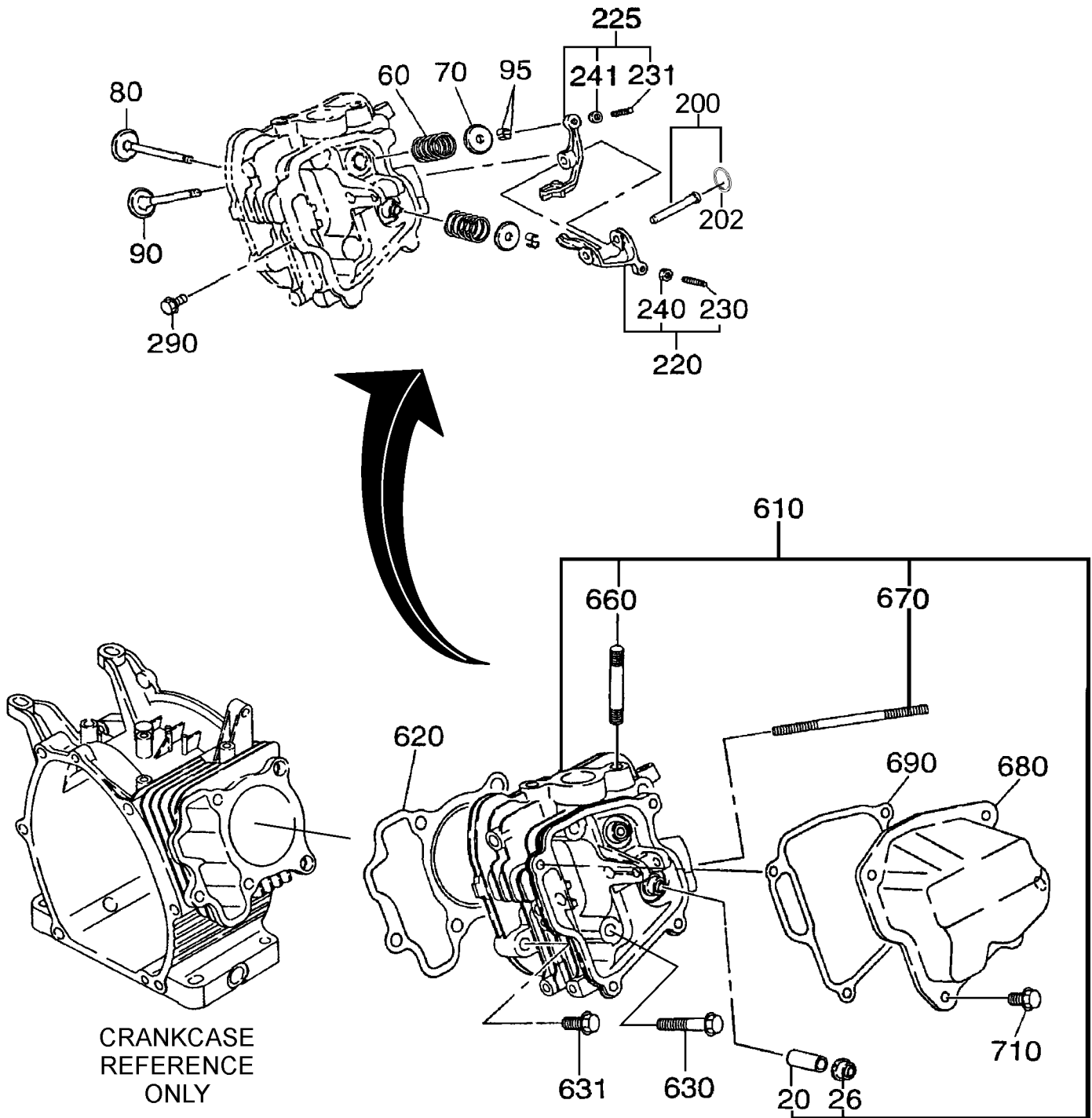
ROBIN EX170D40103 ENGINE — MUFFLER ASSY.



ROBIN EX170D40103 ENGINE — MUFFLER ASSY.

<u>NO.</u>	<u>PART NO.</u>	<u>PART NAME</u>	<u>QTY.</u>	<u>REMARKS</u>
310	27730101J1	MUFFLER CP	1	
320	2773420131	MUFFLER COVER CP	1	
340	2773520203	GASKET (MUFFLER)	1	
350	9802008280	FLANGE NUT	2	
360	0152060090	TAPPING BOLT	2	
361	0110060010	FLANGE BOLT	1	
365	0110080320	FLANGE BOLT	1	
387	0150040060	TAPPING SCREW	2	
440	27737001H1	DEFLECTOR CP	1	

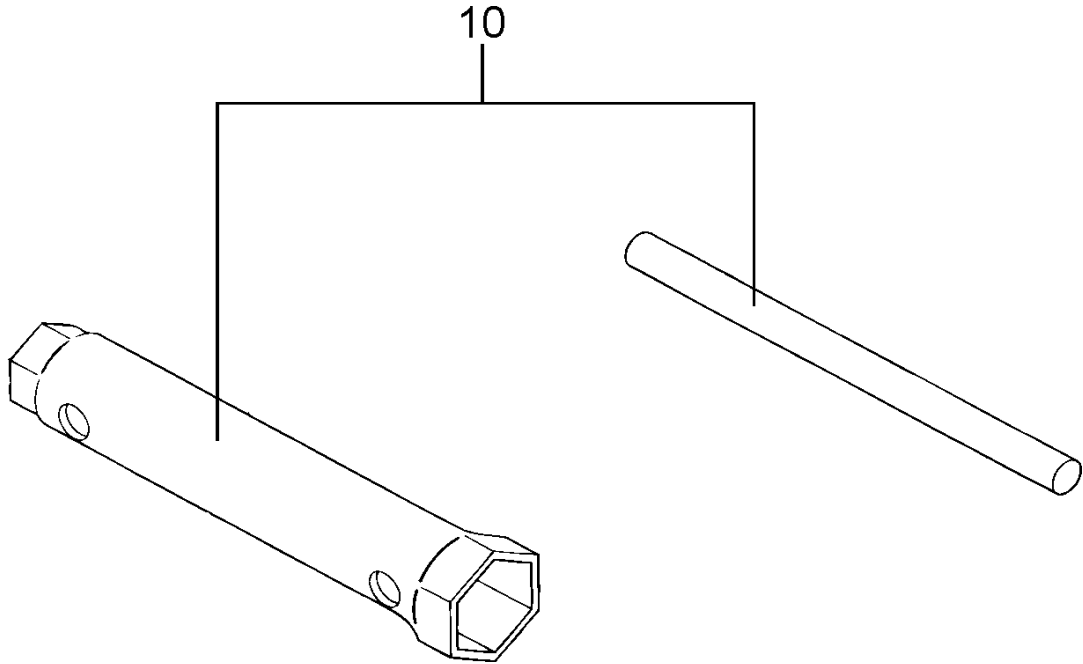
ROBIN EX170D40103 ENGINE — CYLINDER HEAD ASSY.



ROBIN EX170D40103 ENGINE — CYLINDER HEAD ASSY.

<u>NO.</u>	<u>PART NO.</u>	<u>PART NAME</u>	<u>QTY.</u>	<u>REMARKS</u>
20&	2371420203	VALVE GUIDE	2	
26&	2771601001	STEM SEAL	1	
60	2793360103	VALVE SPRING	2	
70	2693370103	SPRING RETAINER	2	
80	27733401H3	INTAKE VALVE	1	
90	27733501H3	EXHAUST VALVE	1	
95	13210KA031	COLLET VALVE	4	
200	2773500201	PIN (ROCKER) CP.....	1	INCLUDES ITEMS W/ \$
202\$	0031305000	CLIP	1	
220	2773620100	ROCKER ARM (IN) ASSY	1	INCLUDES ITEMS W/ %
225	2773620200	ROCKER ARM (EX) ASSY	1	INCLUDES ITEMS W/ #
230%	0149050020	ADJUST SCREW	1	
231#	0149050020	ADJUST SCREW	1	
240%	0170050030	NUT	1	
241#	0170050030	NUT	1	
290	0110060020	FLANGE BOLT	1	
610	2771300111	CYLINDER HEAD CP	1	INCLUDES ITEMS W/ &
620	2771500123	GASKET (HEAD)	1	
630	0110080240	FLANGE BOLT	4	
631	0110080310	FLANGE BOLT	1	
660&	0105080250	STUD	2	
670&	0105060351	STUD	2	
680	2771550301	ROCKER COVER CP	1	
690	2771600113	GASKET (ROCKER COVER)	1	
710	0110060020	FLANGE BOLT	4	

ROBIN EX170D40103 ENGINE — ACCESSORIES



ROBIN EX170D40103 ENGINE — ACCESSORIES

<u>NO.</u>	<u>PART NO.</u>	<u>PART NAME</u>	<u>QTY.</u>	<u>REMARKS</u>
10	27790301H0	ACCESSORY TOOL KIT	1	