

**PARTS MANUAL**



*Mikasa* **SERIES**  
**MODEL MTX80HDR**  
**TAMPING RAMMER**  
**(HONDA GXR120RT-KRBF GASOLINE ENGINE)**

Revision #6 (11/15/21)

**THIS MANUAL MUST ACCOMPANY THE EQUIPMENT AT ALL TIMES.**

# TABLE OF CONTENTS

## MTX80HDR Rammer

Explanation Of Code In Remarks Column.....	4
Suggested Spare Parts .....	5

## Rammer Component Drawings

Nameplate And Decals Assembly .....	6-7
Crankcase And Engine Assembly .....	8-11
Guide Cylinder Assembly .....	12-13
Foot Assembly .....	14-15
Fuel Tank And Handle Assembly .....	16-17
Combination Lever Assembly .....	18-19
Tools Assembly.....	20-21

## Honda GXR120RT-KRBF Engine

Cylinder Barrel Assembly .....	22-23
Crankcase Cover Assembly .....	24-25
Crankshaft Assembly.....	26-27
Piston And Connecting Rod Assembly.....	28-29
Camshaft Pulley Assembly .....	30-31
Recoil Starter Assembly .....	32-33
Fan Cover Assembly.....	34-35
Carburetor Assembly.....	36-37
Muffler Assembly .....	38-39
Flywheel Ignition Assembly .....	40-41
Control Assembly .....	42-43
Tool And Labels Assembly .....	44-45

### NOTICE

Part numbers are subject to change without notice.

# EXPLANATION OF CODE IN REMARKS COLUMN

The following section explains the different symbols and remarks used in the Parts section of this manual. Use the help numbers found on the back page of the manual if there are any questions.

**NOTICE**

The contents and part numbers listed in the parts section are subject to change **without notice**. Multiquip does not guarantee the availability of the parts listed.

## SAMPLE PARTS LIST

NO.	PART NO.	PART NAME	QTY.	REMARKS
1	12345	BOLT .....	1	INCLUDES ITEMS W/%
2%		WASHER, 1/4 IN. ....		NOT SOLD SEPARATELY
2%	12347	WASHER, 3/8 IN. ...	1	MQ-45T ONLY
3	12348	HOSE .....	A/R	MAKE LOCALLY
4	12349	BEARING .....	1	S/N 2345B AND ABOVE

## NO. Column

**Unique Symbols** — All items with same unique symbol (@, #, +, %, or >) in the number column belong to the same assembly or kit, which is indicated by a note in the “Remarks” column.

**Duplicate Item Numbers** — Duplicate numbers indicate multiple part numbers, which are in effect for the same general item, such as different size saw blade guards in use or a part that has been updated on newer versions of the same machine.

**NOTICE**

When ordering a part that has more than one item number listed, check the remarks column for help in determining the proper part to order.

## PART NO. Column

**Numbers Used** — Part numbers can be indicated by a number, a blank entry, or TBD.

TBD (To Be Determined) is generally used to show a part that has not been assigned a formal part number at the time of publication.

A blank entry generally indicates that the item is not sold separately or is not sold by Multiquip. Other entries will be clarified in the “Remarks” Column.

## QTY. Column

**Numbers Used** — Item quantity can be indicated by a number, a blank entry, or A/R.

A/R (As Required) is generally used for hoses or other parts that are sold in bulk and cut to length.

A blank entry generally indicates that the item is not sold separately. Other entries will be clarified in the “Remarks” Column.

## REMARKS Column

Some of the most common notes found in the “Remarks” Column are listed below. Other additional notes needed to describe the item can also be shown.

**Assembly/Kit** — All items on the parts list with the same unique symbol will be included when this item is purchased.

Indicated by:

“INCLUDES ITEMS W/(unique symbol)”

**Serial Number Break** — Used to list an effective serial number range where a particular part is used.

Indicated by:

“S/N XXXXX AND BELOW”

“S/N XXXX AND ABOVE”

“S/N XXXX TO S/N XXX”

**Specific Model Number Use** — Indicates that the part is used only with the specific model number or model number variant listed. It can also be used to show a part is NOT used on a specific model or model number variant.

Indicated by:

“XXXXX ONLY”

“NOT USED ON XXXX”

**“Make/Obtain Locally”** — Indicates that the part can be purchased at any hardware shop or made out of available items. Examples include battery cables, shims, and certain washers and nuts.

**“Not Sold Separately”** — Indicates that an item cannot be purchased as a separate item and is either part of an assembly/kit that can be purchased, or is not available for sale through Multiquip.

## SUGGESTED SPARE PARTS

---

### MTX80HDR TAMPING RAMMER WITH HONDA GXR120RTKRBF GASOLINE ENGINE

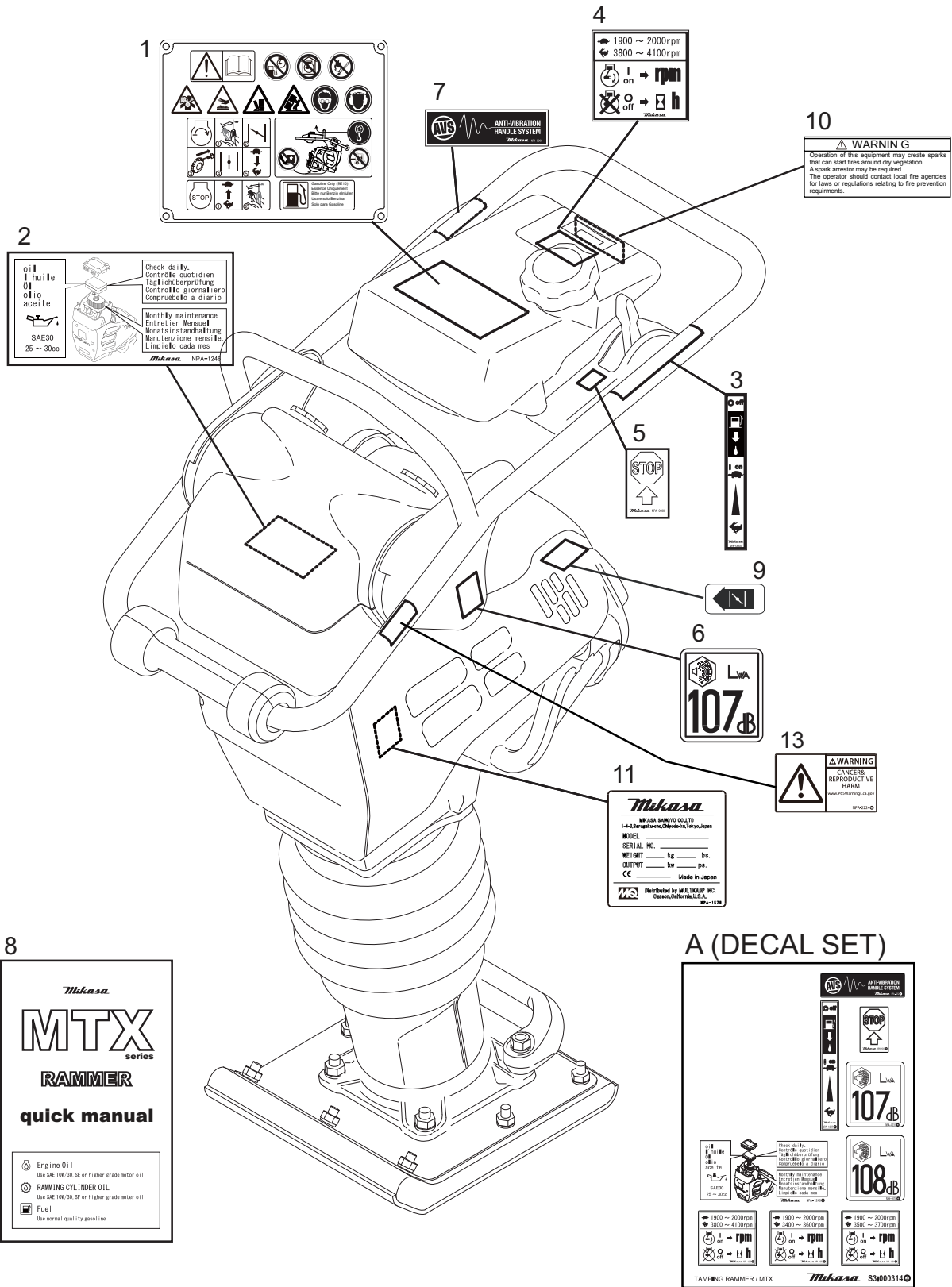
#### 1 to 3 units

Qty.	P/N	Description
1.....	956100062.....	THROTTLE WIRE
3.....	366010070.....	PRIMARY ELEMENT, AIR CLEANER
3.....	366010080.....	SECONDARY ELEMENT, AIR CLEANER
1.....	366350460.....	CAP, FUEL TANK
2.....	16910Z4ES21.....	FILTER, IN-LINE FUEL
3.....	9805655777.....	SPARK PLUG
1.....	954406010.....	STRAINER, FUEL TANK
1.....	28462Z0DV03.....	ROPE, RECOIL STARTER
1.....	956200110.....	COMBINATION LEVER
1.....	366900170.....	CUP AND PACKING SET
1.....	366348550.....	CLUTCH ASSY.

#### **NOTICE**

Part numbers on this Suggested Spare Parts list may supersede/replace the part numbers shown in the following parts lists.

# NAMEPLATE AND DECALS ASSY.



2

oil / huile / öl / olio / aceite

SAE30  
25 ~ 30cc

Check daily:  
 Contrôle quotidien  
 Taglichüberprüfung  
 Controllo giornaliero  
 Compruebo a diario

Monthly maintenance:  
 Entretien Mensuel  
 Monatsinsandhaltung  
 Manutenzione mensile  
 Limpieo cada mes

Mikasa NPA-1244

8

Mikasa  
**MTX**  
series  
**RAMMER**  
quick manual

Engine Oil  
Use SAE 10W/30, 30 or higher grade motor oil

RAMMING CYLINDER OIL  
Use SAE 10W/30, 30 or higher grade motor oil

Fuel  
Use normal quality gasoline

4

1900 ~ 2000rpm  
3800 ~ 4100rpm

on → rpm  
off → h

Mikasa

10

**WARNING**  
 Operation of this equipment may create sparks that can start fires around dry vegetation. A spark arrestor may be required. The operator should contact local fire agencies for laws or regulations relating to fire prevention requirements.

3

STOP  
↑

Mikasa 03-1119

6

L<sub>WA</sub>  
**107dB**

11

**Mikasa**  
 MIKASA RAMMO OIL LTD  
 1-4-26, Kasugai-cho, Kasugai-shi, Saitama-shi, Japan

MODEL \_\_\_\_\_  
 SERIAL NO. \_\_\_\_\_  
 WEIGHT \_\_\_\_\_ kg \_\_\_\_\_ lbs  
 OUTPUT \_\_\_\_\_ hp \_\_\_\_\_ ps  
 CC \_\_\_\_\_

Made in Japan

MS Distributed by: M&L EQUIP INC.  
 Caracas, Colombia, U.S.A. 200-1119

13

**WARNING**  
 CANCER  
 REPRODUCTIVE  
 HAZARD

www.P203warnings.com  
 MPA-2210

## A (DECAL SET)

A (DECAL SET)

1-4-26, Kasugai-cho, Kasugai-shi, Saitama-shi, Japan

MIKASA RAMMO OIL LTD

1900 ~ 2000rpm  
3800 ~ 4100rpm

on → rpm  
off → h

Mikasa

STOP  
↑

Mikasa 03-1119

L<sub>WA</sub>  
**107dB**

L<sub>WA</sub>  
**108dB**

Check daily:  
 Contrôle quotidien  
 Taglichüberprüfung  
 Controllo giornaliero  
 Compruebo a diario

Monthly maintenance:  
 Entretien Mensuel  
 Monatsinsandhaltung  
 Manutenzione mensile  
 Limpieo cada mes

Mikasa NPA-1244

1900 ~ 2000rpm  
3400 ~ 3600rpm

1900 ~ 2000rpm  
3500 ~ 3700rpm

1900 ~ 2000rpm  
3500 ~ 3700rpm

on → rpm  
off → h

on → rpm  
off → h

on → rpm  
off → h

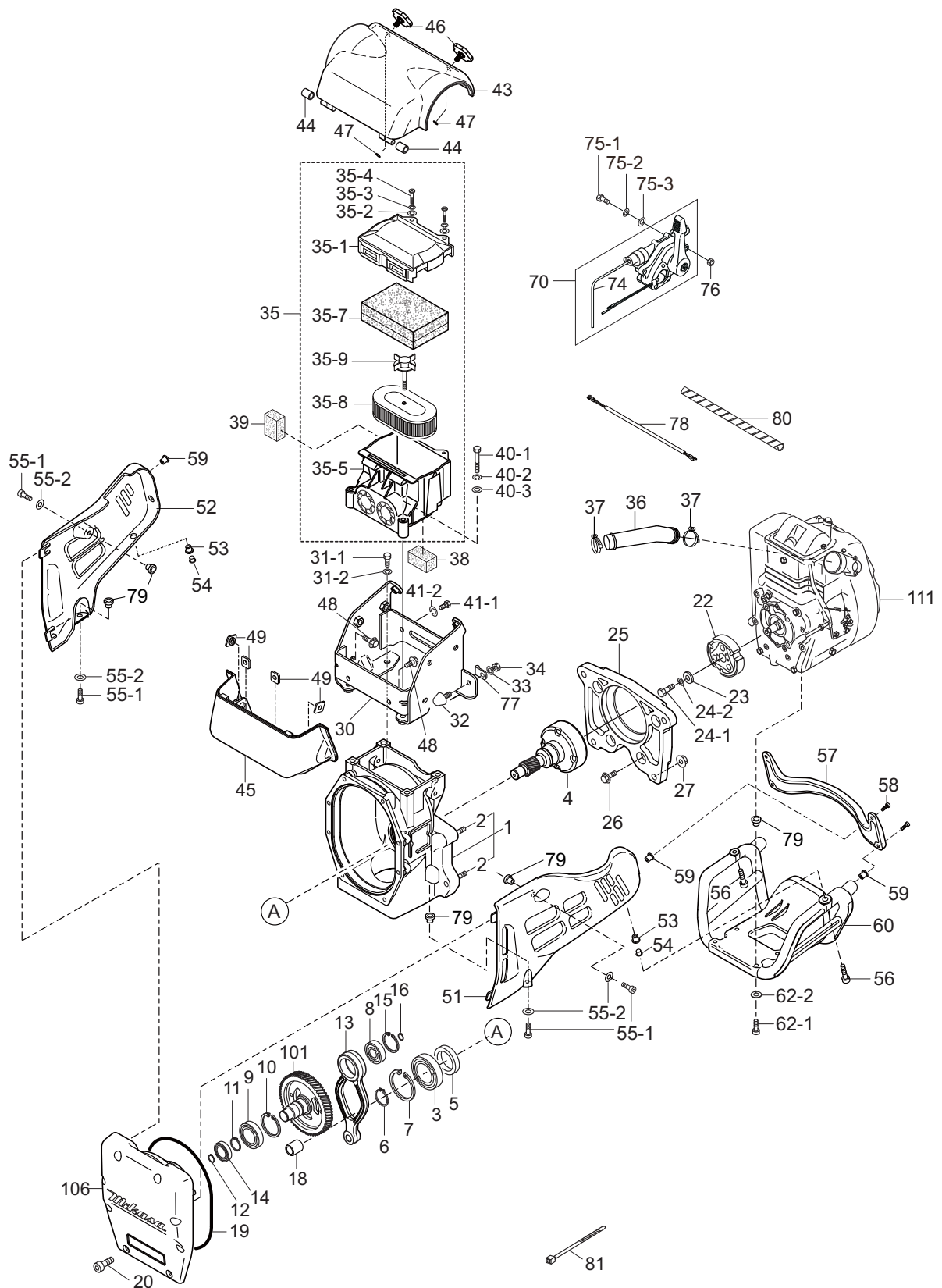
Mikasa

TAMING RAMMER / MTX Mikasa S360003140

## NAMEPLATE AND DECALS ASSY.

<u>NO.</u>	<u>PART NO.</u>	<u>PART NAME</u>	<u>QTY.</u>	<u>REMARKS</u>
A	920900040	DECAL SET .....	1.....	INCLUDES ITEMS W/#
1	920215440	DECAL: OPERATION	1	
2#		DECAL: AIR CLEANER	1	
3#		DECAL: LEVER OPERATION	1	
4#		DECAL: MAX SPEED, 4100 RPM	1	
5#		DECAL: MACHINE STOP	1	
6#		DECAL: EC NOISE REQ LWA 107 DB	1	
7#		DECAL: ANTI-VIB HANDLE	1	
8	920212540	QUICK MANUAL	1	
9	920212840	DECAL: CHOKE OPERATION	1	
10	920214100	DECAL: E/G FIRE WARNING	1	
11		DECAL: NAMEPLATE .....	1.....	CONTACT MQ PARTS DEPT. W/SERIAL NO.
13	920222240	DECAL, WARNING PROPOSITION 65	1	

# CRANKCASE AND ENGINE ASSY.

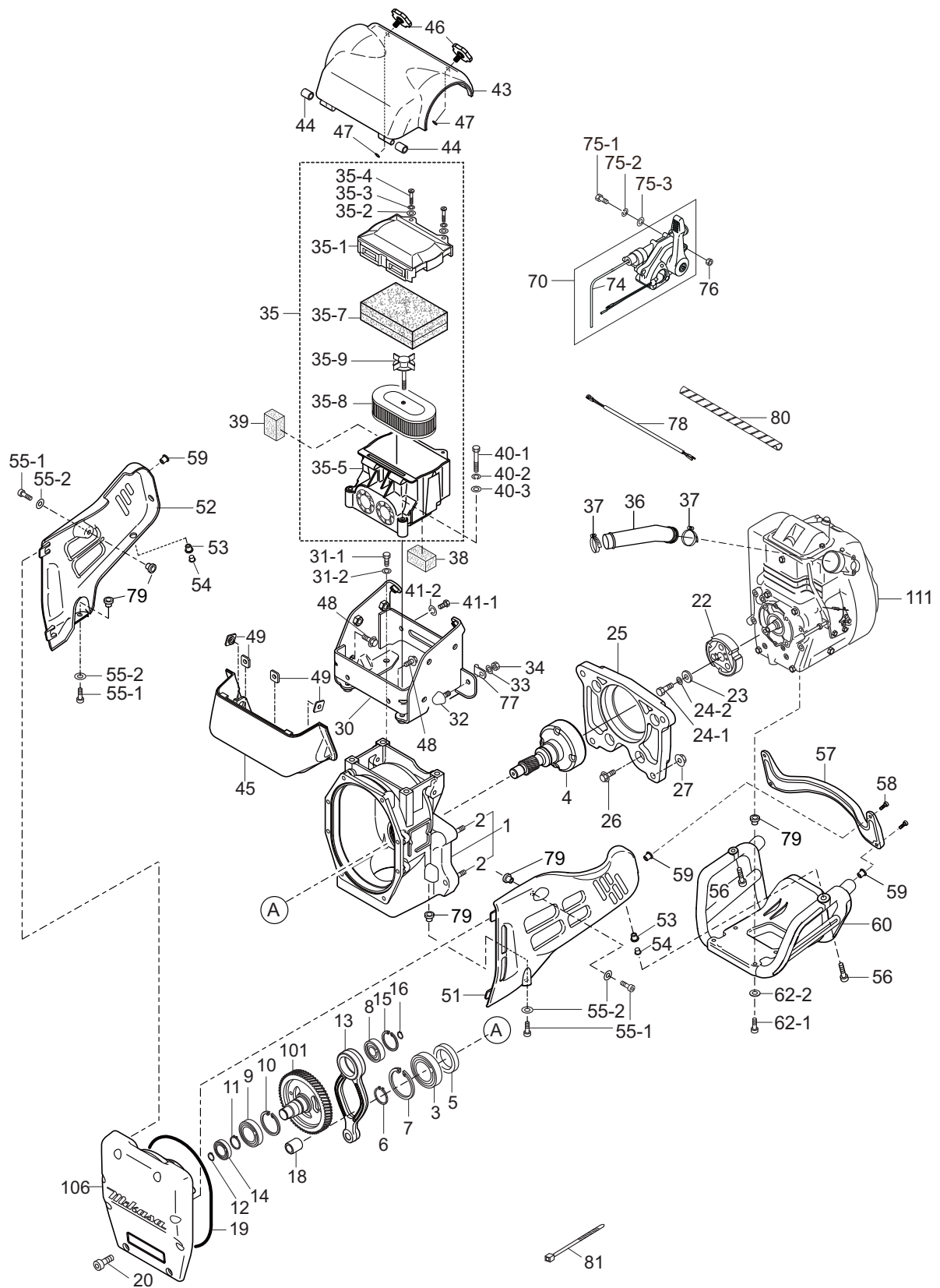


## CRANKCASE AND ENGINE ASSY.

<u>NO.</u>	<u>PART NO.</u>	<u>PART NAME</u>	<u>QTY.</u>	<u>REMARKS</u>
1	366118940	CRANKCASE .....	1.....	INCLUDES ITEMS W/\$
2\$	009120204	STUD BOLT 10X30	2	
3	041006007	BEARING 6007Z	1	
4	366345170	PINION, DRUM	1	
5	060404010	OIL SEAL	1	
6	080200350	STOP RING	1	
7	080100620	STOP RING	1	
8	040006304	BEARING 6304	1	
9	040006207	BEARING 6207	1	
10	080100720	STOP RING	1	
11	080200350	STOP RING	1	
12	080200250	STOP RING	1	
13	366345230	CONNECTING ROD	1	
14	040006305	BEARING 6305	1	
15	080100520	STOP RING	1	
16	080200200	STOP RING	1	
18	047940060	NEEDLE BEARING	1	
19	050710080	O-RING	1	
20	009110025	SOCKET HEAD BOLT 8X25	8	
22	366348550	CLUTCH ASSY.	1	
23	952401450	WASHER, 8.5X22X3	1	
24-1	001220825	BOLT, 8X25	1	
24-2	030208200	WASHER, LOCK M8	1	
25	366217180	FLANGE, ENGINE	1	
26	001710830	FLANGE, BOLT 8X30	4	
27	022611010	FLANGE, NUT M10	4	
28	9430306100	KNOCK PIN	2	
30	366346280	BRACKET, SHOCK ABSORBER	1	
31-1	001211030	BOLT, 10X30	4	
31-2	030210250	WASHER, LOCK M10	4	
32	939010270	STOPPER, RUBBER	1	
33	030208200	WASHER, LOCK M8	1	
34	020308060	NUT M8	1	
35	366900010	AIR CLEANER ASSY.....	1.....	INCLUDES ITEMS W/#
35-1#	366010010	AIR CLEANER COVER	1	
35-2#	366010020	WASHER, FLAT M6	2	
35-3#	366010030	WASHER, LOCK M6	2	
35-4#	366010040	COIN BOLT M6	2	
35-5#	366010050	BASE COMPLETE, AIR CLEANER	1	
35-7#	366010070	PRIMARY ELEMENT, AIR CLEANER	1	
35-8#	366010080	SECONDARY ELEMENT, AIR CLEANER	1	
35-9#	362030040	GRIP BOLT COMPLETE, AIR CLEANER	1	
36	366345470	PIPE, INTAKE	1	
37	954407682	CYCLONE CLAMP	2	
38	366460160	SEALING FORM, UNDER	1	
39	366460150	SEALING FORM, SIDE	1	
40-1	001220851	BOLT, 8X55	2	



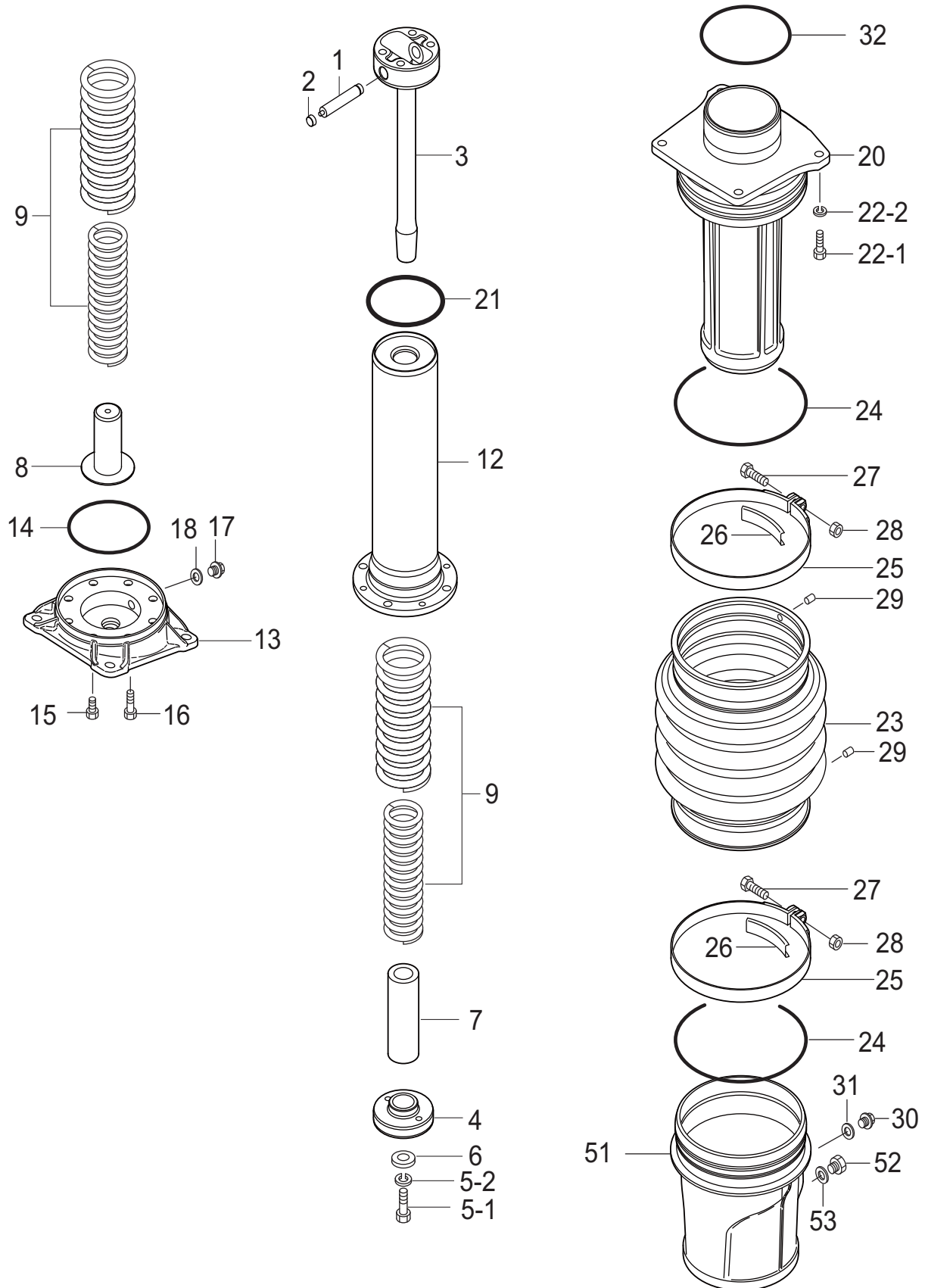
# CRANKCASE AND ENGINE ASSY. (CONT'D.)



## CRANKCASE AND ENGINE ASSY. (CONT'D.)

<u>NO.</u>	<u>PART NO.</u>	<u>PART NAME</u>	<u>QTY.</u>	<u>REMARKS</u>
40-2	030208200	WASHER, LOCK M8	2	
40-3	031108160	WASHER, FLAT M8	2	
41-1	001210815	BOLT 8X15	2	
41-2	030208200	WASHER, LOCK M8	2	
42	954407681	CYCLONE CLAMP	1	
43	366217340	COVER, CLEANER ASSY. (UPPER)	1	
44	366460140	RUBBER BUSH	2	
45	366217350	COVER, CLEANER ASSY. (UNDER)	1	
46	366345980	KNOB, CLEANER COVER	2	
47	050200060	O-RING	2	
48	009110040	FLANGE, BOLT 8X20	4	
49	959407670	SQUARE NUT M8	4	
51	366118893	GUARD, LINK	1	
52	366118903	GUARD, MUFFLER	1	
53	022910260	WELL NUT M8	2	
54	366460170	FLANGE COLLAR 8	2	
55-1	009110024	SOCKET HEAD BOLT 8X20	4	
55-2	031108160	WASHER, FLAT M8	4	
56	009110038	SOCKET HEAD BOLT 8X30	2	
57	366217360	CROSS BAR	1	
58	009110039	SOCKET HEAD BOLT 6X25	4	
59	022910250	WELL NUT M6	4	
60	366118913	GUARD, ENGINE	1	
62-1	009110066	SOCKET HEAD BOLT 8X30	4	
62-2	031108160	WASHER, FLAT M8	4	
70	366900032	COMBINATION LEVER ASSY. W/WIRE.....	1	INCLUDES ITEMS W/@
74@	956100062	THROTTLE WIRE	1	
75-1	001220620	BOLT 6X20	2	
75-2	030206150	WASHER, LOCK M6	2	
75-3	031106100	WASHER, FLAT M6	2	
76	020306050	NUT M6	2	
77	959006120	CLIP	1	
78	366460110	WIRE HARNESS	1	
79	2067550101	CLAMP	2	
80	959021814	SPIRAL TUBE	1	
81	454010020	CLAMP	3	
85	366461050	COLLAR, GUARD	8	
101	366345190	CRANK GEAR	1	
106	366010121	FRONT COVER	1	
111	912212101	ENGINE ASSY, GXR120RTKRBF .....	1	REPLACES P/N 912213001

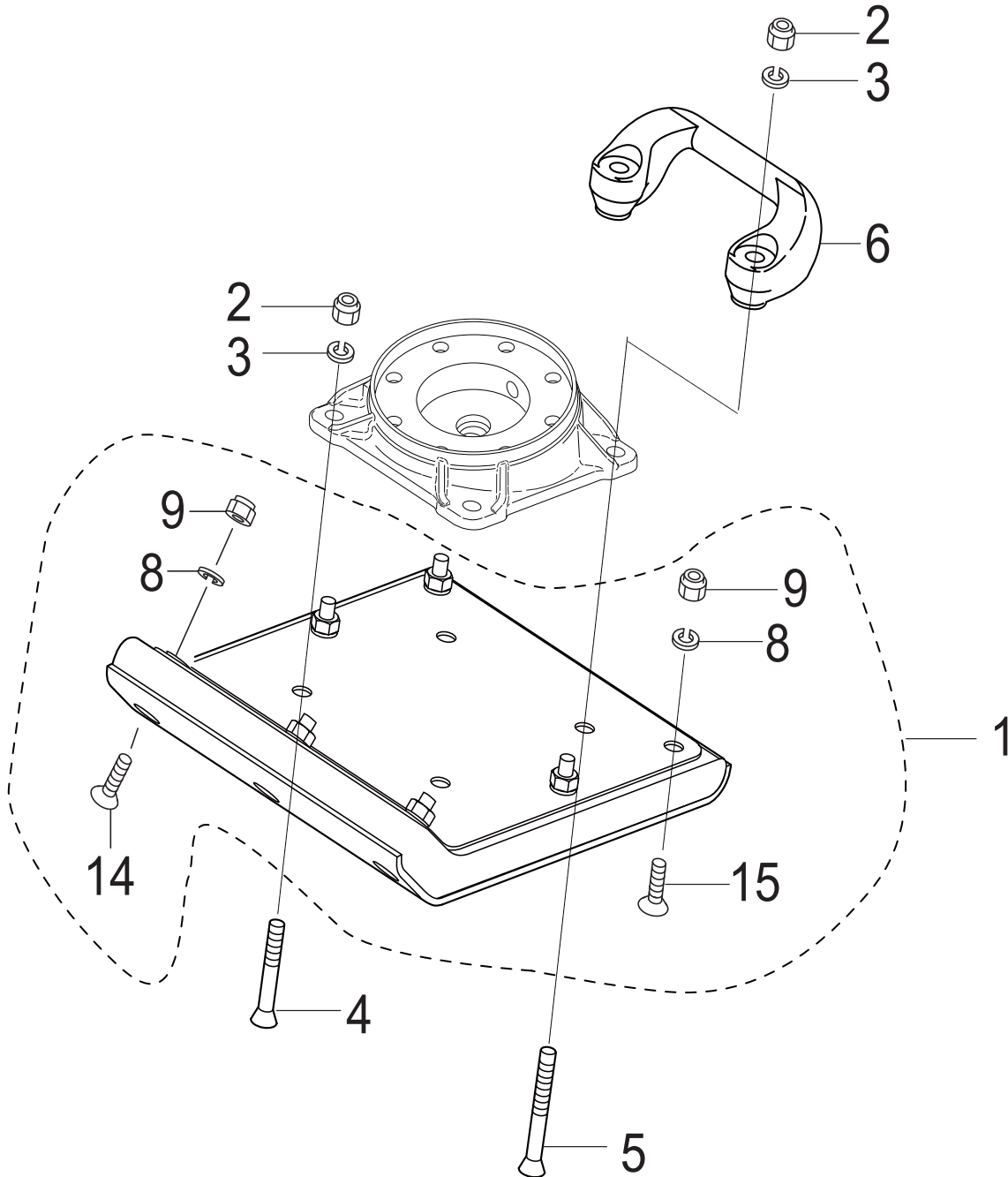
# GUIDE CYLINDER ASSY.



## GUIDE CYLINDER ASSY.

<u>NO.</u>	<u>PART NO.</u>	<u>PART NAME</u>	<u>QTY.</u>	<u>REMARKS</u>
1	366460100	PISTON PIN	1	
2	366459910	PLUG, PISTON PIN	2	
3	366346000	PISTON ROD	1	
4	371459690	PISTON END	1	
5-1	001121230	BOLT 12X30	1	
5-2	030212300	WASHER, LOCK M12	1	
6	952404790	WASHER	1	
7	355447260	STOPPER, LOWER	1	
8	366459900	STOPPER, BOTTOM	1	
9	366459730	MAIN SPRING	2	
12	366345990	SPRING CYLINDER	1	
13	366217210	FOOT PLATE	1	
14	050100900	O-RING	1	
15	001521020	SOCKET HEAD BOLT 10X20	4	
16	001521040	SOCKET HEAD BOLT 10X40	4	
17	953405270	PLUG	1	
18	953405260	PACKING	1	
20	367217450	GUIDE CYLINDER	1	
21	050710070	O-RING	1	
22-1	0105051045	BOLT 10X45	4	
22-2	030210250	WASHER, LOCK M10	4	
23	354010010	BELLOWS, ORANGE	1	
24	050931500	O-RING	2	
25	354336352	BELLOWS CLAMP	2	
26	354442340	BAND GUIDE, BELLOWS	2	
27	001220840	BOLT 8X40	2	
28	020308060	NUT M8	2	
29	354446170	PIN	2	
30	953405270	PLUG	1	
31	953405260	PACKING	1	
32	050200950	O-RING	1	
51	366118590	PROTECTION SLEEVE	1	
52	366460300	OIL GAUGE ASSY.	1	
53	953404670	COPPER PACKING	1	

# FOOT ASSY.

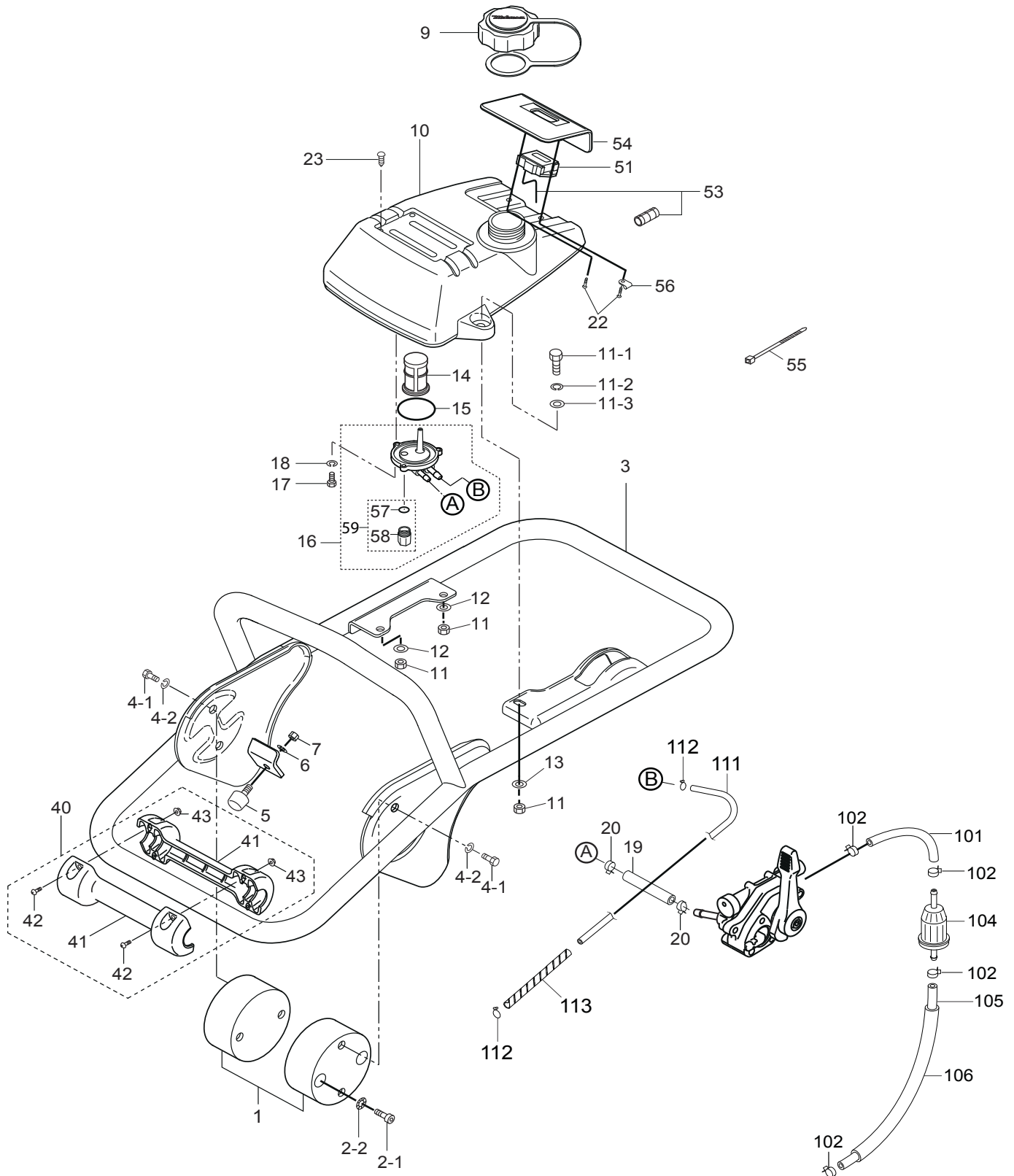


# FOOT ASSY.

---

<u>NO.</u>	<u>PART NO.</u>	<u>PART NAME</u>	<u>QTY.</u>	<u>REMARKS</u>
1	8511S	FOOT ASSY.....	1.....	INCLUDES ITEMS W/ REPLACES P/N 366910020
2	021112140	NYLON NUT M12 .....	4.....	REPLACES P/N 022711214
3	030212300	WASHER, LOCK M12	4	
4	009110034	BOLT, SQUARE NECK 12X65	2	
5	009110035	BOLT, SQUARE NECK 12X95	2	
6	363343390	GRIP, HANDLEBAR	1	
8#	030210250	WASHER, LOCK M10	7	
9#	022711012	NYLON NUT M10	7	
14#	009110036	BOLT, SQUARE NECK 10X55	3	
15#	009110033	BOLT, SQUARE NECK 10X50	4	

# FUEL TANK AND HANDLE ASSY.

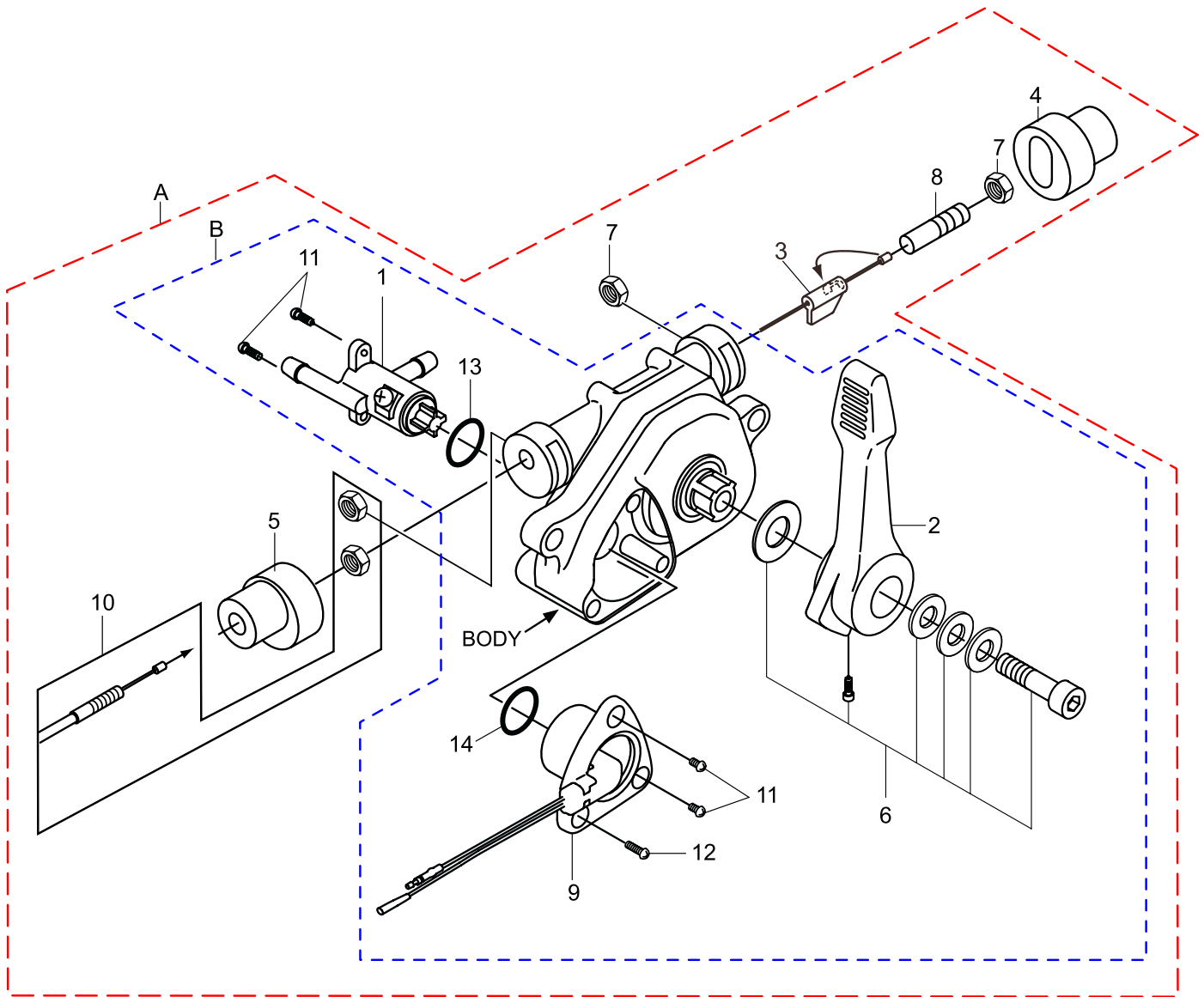


## FUEL TANK AND HANDLE ASSY.

<u>NO.</u>	<u>PART NO.</u>	<u>PART NAME</u>	<u>QTY.</u>	<u>REMARKS</u>
1	366346270	SHOCK ABSORBER W/PIN	2	
2-1	014210020	SOCKET HEAD BOLT, 10X20 .....	4	REPLACES P/N 001521020
2-2	033121009	TOOTHED LOCK WASHER B M10	4	
3	366119042	HANDLE .....	1	REPLACES P/N 366119040
4-1	001211020	BOLT 10X20	4	
4-2	030210250	WASHER, LOCK M10	4	
5	939010270	STOPPER RUBBER	1	
6	030208200	WASHER, LOCK M8	1	
7	020108060	NUT M8.....	1	REPLACES P/N 020308060
9	366350460	CAP, FUEL TANK WITH STRAP	1	
10	366120253	FUEL TANK	1	
11	022710809	NYLON NUT M8	3	
11-1	011208025	BOLT 8X25.....	3	REPLACES P/N 0012000825
11-2	030208200	WASHER, LOCK M8	3	
11-3	0401450080	WASHER, FLAT M8.....	3	REPLACES P/N 031108160
12	952401450	WASHER, 8.5X22X3	2	
13	0401450080	WASHER, FLAT M8.....	1	REPLACES P/N 031108160
14	954406010	STRAINER, FUEL TANK	1	
15	050250420	PACKING, FUEL TANK	1	
16	366350580	HOLDER, FILTER.....	1	INCLUDES ITEMS W/\$
17-1	001200515	BOLT 5X15	3	
17-2	030205130	WASHER, LOCK M5	3	
19	959328406	FUEL HOSE	1	
20	0561080020	HOSE CLAMP	2	
22	009110037	TAPPING SCREW, 5X20	2	
23	094010053	PAN HEAD SCREW, 4X8	4	
40	366910030	ROLLER ASSY. W/SCREW .....	1	INCLUDES ITEMS W/%
41%	366217170	ROLLER	2	
42%	0017105020	SCREW, 5X20 .....	4	REPLACES P/N 091005020
43%	022610505	FLANGE NUT M5	4	
51	955010311	TP22 TACHO/HOUR METER .....	1	REPLACES P/N 980010330
53	980010400	CURL CORD	1	
54	366345620	FINISHER, METER	1	
55	454010020	CLAMP	5	
56	954010270	CLIP	1	
57\$#	366464270	PACKING, HOLDER FILTER	1	
58\$#	366464260	CUP, HOLDER FILTER	1	
59\$	366900170	CUP AND PACKING SET .....	1	INCLUDES ITEMS W/#
101	959328402	FUEL HOSE	1	
102	H950024085008	HOSE BAND.....	4	REPLACES P/N 954407060
104	16910Z4ES21	FILTER, IN-LINE FUEL	1	
105	959026103	FUEL HOSE.....	1	REPLACES P/N 959026401
106	950033600110M	TUBE, VINYL.....	1	REPLACES P/N 950033606020
111	959028301	RETURN HOSE	1	
112	954408170	HOSE CLIP	2	
113	959021814	SPIRAL TUBE	1	



# COMBINATION LEVER ASSY.

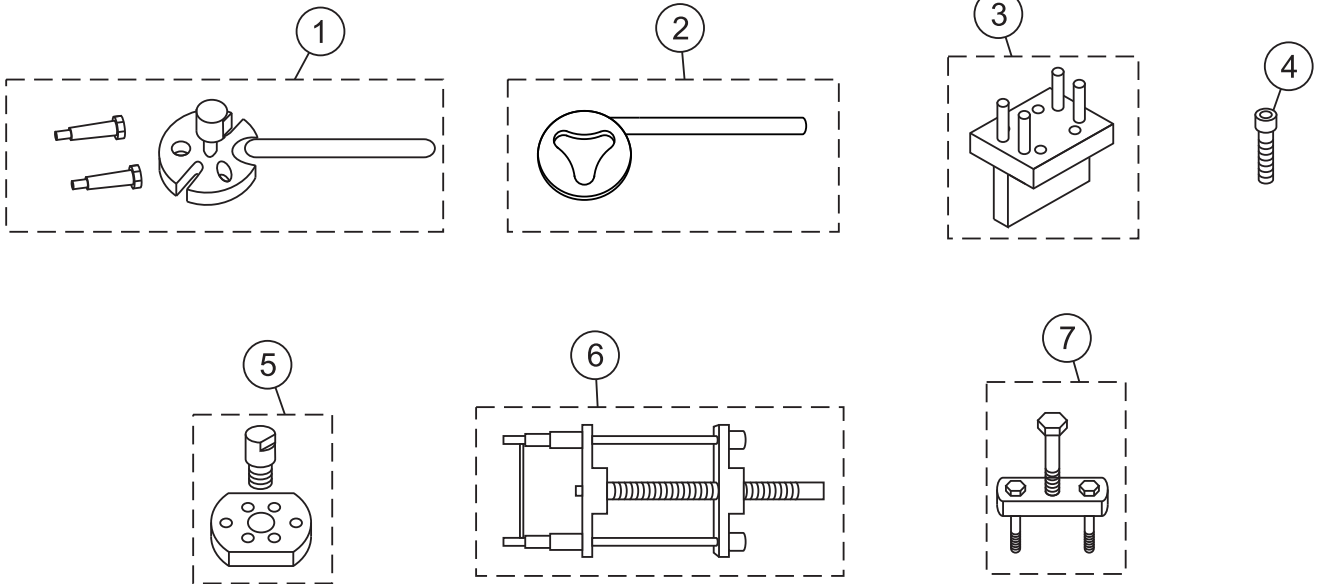


## COMBINATION LEVER ASSY.

---

<u>NO.</u>	<u>PART NO.</u>	<u>PART NAME</u>	<u>QTY.</u>	<u>REMARKS</u>
A	366900032	COMB. LEVER W/ THROTTLE WIRE.....	1.....	INCLUDES ITEMS W/@
B	956200110	COMB. LEVER W/OUT THROTTLE WIRE.....	1.....	INCLUDES ITEMS W/#
1@#	366349430	FUEL COCK	1	
2@#	366010310	LEVER	1	
3@	366010190	SLIDER	1	
4@	366010200	END CAP	1	
5@	366010210	WIRE CAP	1	
6@#	366010220	BOLT AND WASHER SET	1	
7@	020408050	NUT M8, H=5	2	
8@	959407650	SOCKET HEAD SCREW/TH.WIRE	1	
9@#	366010320	STOP SWITCH	1	
10@	956100062	THROTTLE WIRE	1	
11@#	094010051	TAPPING SCREW B1 4X12	4	
12@#	094010052	TAPPING SCREW B1 4X30	1	
13@#	050200150	O-RING, P15	1	
14@#	050200110	O-RING, P11	1	

# TOOLS ASSY.

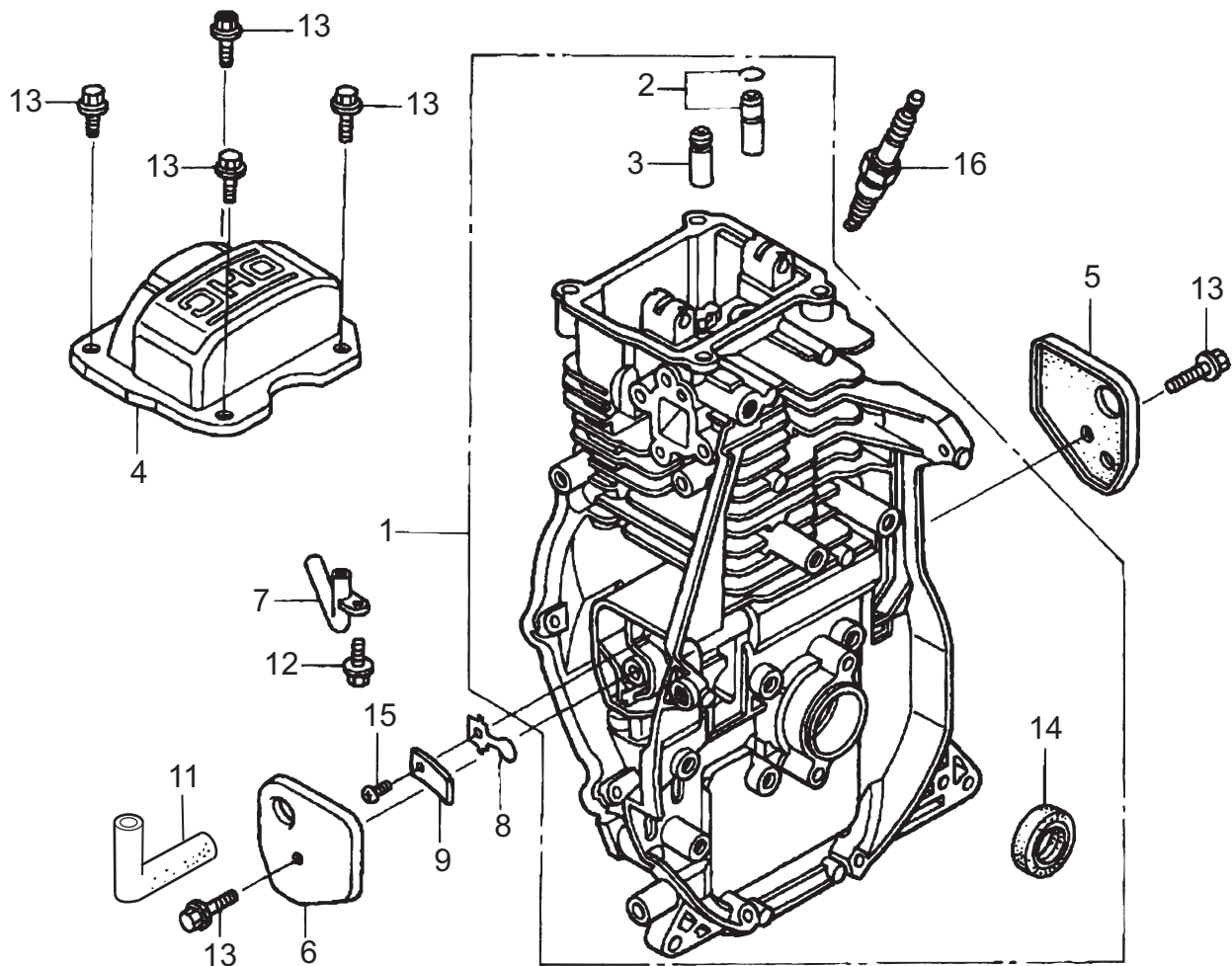


## **TOOLS ASSY.**

---

<u>NO.</u>	<u>PART NO.</u>	<u>PART NAME</u>	<u>QTY.</u>	<u>REMARKS</u>
1	981010400	CLUTCH PULLER A	1	
2	983010060	CLUTCH MOUNTER	1	
3	983910030	PISTON ROD HOLDER	1	
4	009110044	SOCKET HD. BOLT 8X50 (FULL THREAD)	2	
		CRANK GEAR REMOVER		
5	983910021	CLUTCH PULLER B	1	
6	983010042	SPRING CYLINDER REMOVER	1	
7	983910010	PISTON END REMOVER	1	

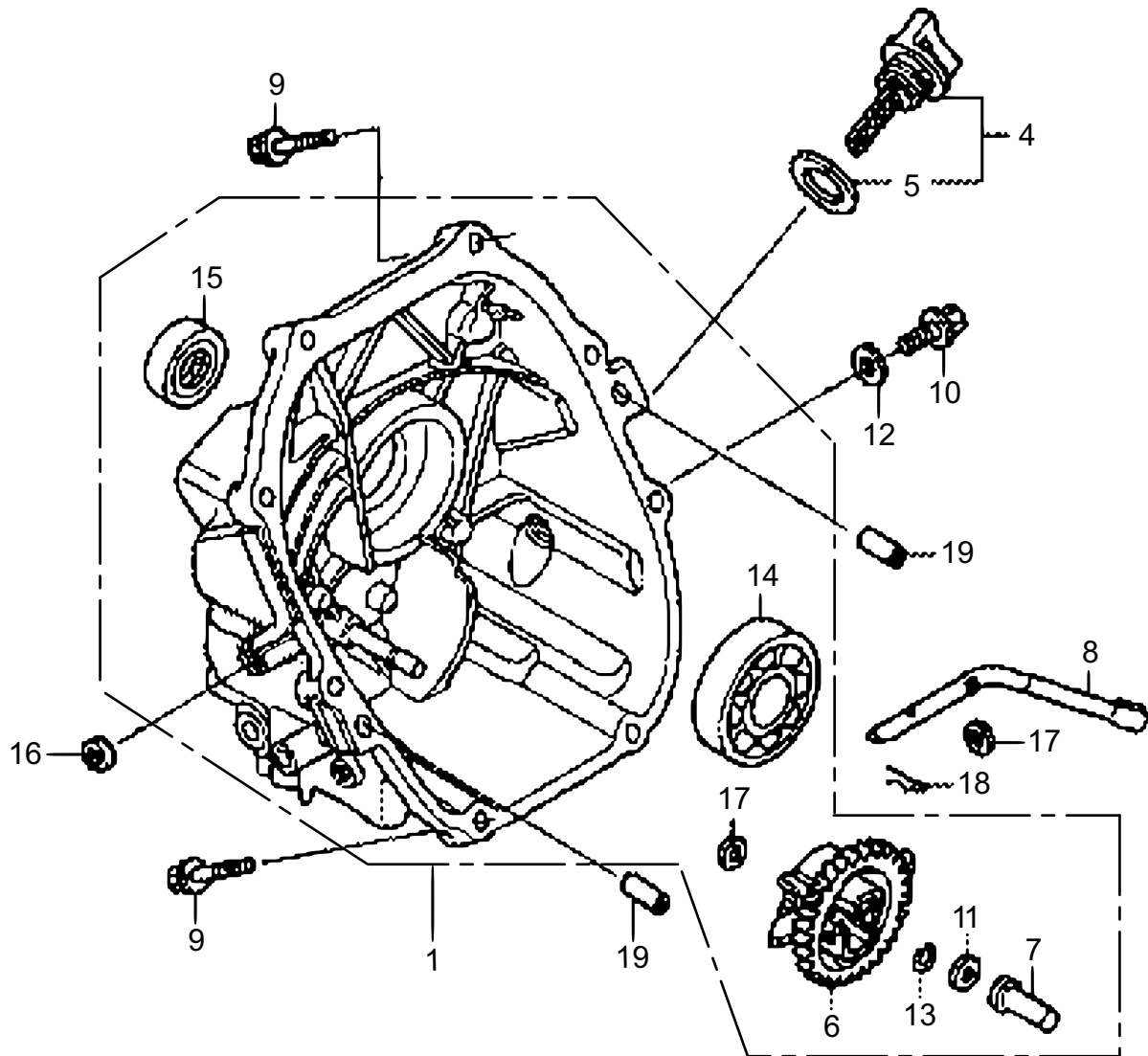
# HONDA GXR120RTKRFB ENG. — CYLINDER BARREL ASSY.



# HONDA GXR120RTKRF ENG. — CYLINDER BARREL ASSY.

<u>NO.</u>	<u>PART NO.</u>	<u>PART NAME</u>	<u>QTY.</u>	<u>REMARKS</u>
1	12000ZDJ305	BARREL ASSY., CYLINDER .....	1.....	INCLUDES ITEMS W/\$
2\$	12201Z0D305	GUIDE ASSY., EX. VALVE (O.S.)	1	
3\$	12204Z0D305	GUIDE, INLET VALVE (O.S.)	1	
4	12311Z0D000	COVER, HEAD	1	
5	12355Z0D000	COVER COMP. A, BREATHER	1	
6	12365Z0D000	COVER COMP. B, BREATHER	1	
7	15171Z0DV00	PIPE, BREATHER	1	
8	15571Z0DV71	VALVE, OIL OUTLET	1	
9	15572ZM7000	PLATE, STOPPER	1	
11	15721Z0DV70	TUBE, BREATHER	1	
12	90008ZM7000	BOLT, 4X10	1	
13	90014952000	BOLT, FLANGE, 6X14	6	
14\$	91202ZE6013	OIL SEAL, 22X35X6	1	
15	93500030050A	SCREW, PAN, 3X5	1	
16	9805655777	SPARK PLUG	1	

# HONDA GXR120RTKRFB ENG. — CRANKCASE COVER ASSY.

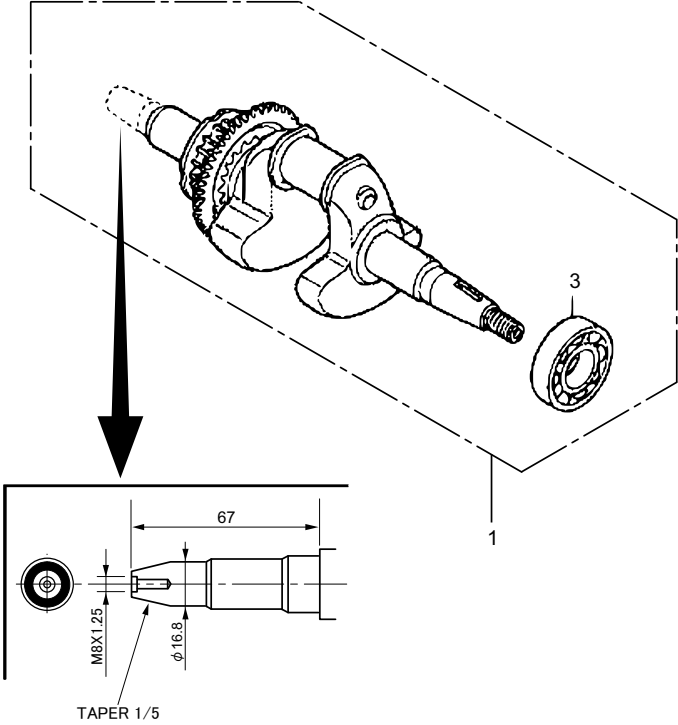


## HONDA GXR120RTKRB ENG. — CRANKCASE COVER ASSY.

<u>NO.</u>	<u>PART NO.</u>	<u>PART NAME</u>	<u>QTY.</u>	<u>REMARKS</u>
1	11300ZDJ305	COVER ASSY., CRANKCASE.....	1.....	INCLUDES ITEMS W/@
4	15600ZDF000	CAP ASSY., OIL FILLER .....	1.....	INCLUDES ITEMS W/#
5#	15625Z0T800	PACKING, OIL FILLER CAP	1	
6@	16510ZL8000	GOVERNOR ASSY.	1	
7@	16531ZE1000	SLIDER, GOVERNOR	1	
8	16541Z0D000	SHAFT, GOVERNOR ARM	1	
9	90121952000	BOLT, FLANGE, 6X25	8	
10	90131ZE1000	BOLT, DRAIN PLUG	1	
11@	90451ZE1000	WASHER, THRUST, 6MM	1	
12	90601ZE1000	WASHER, DRAIN PLUG, 10.2MM	1	
13@	90602ZE1000	CLIP, GOVERNOR HOLDER	1	
14@	91001878003	BEARING, RADIAL BALL,	1	
15@	91203ZE0013	OIL SEAL, 22X41X6	1	
16	91231891003	OIL SEAL, 6X11X4	1	
17@	9410106800	WASHER, FLAT, 6MM	2	
18	9425108000	PIN, LOCK, 8MM	1	
19	9430108200	DOWEL PIN, 8X20	2	



# HONDA GXR120RTKRBF ENGINE — CRANKSHAFT ASSY.



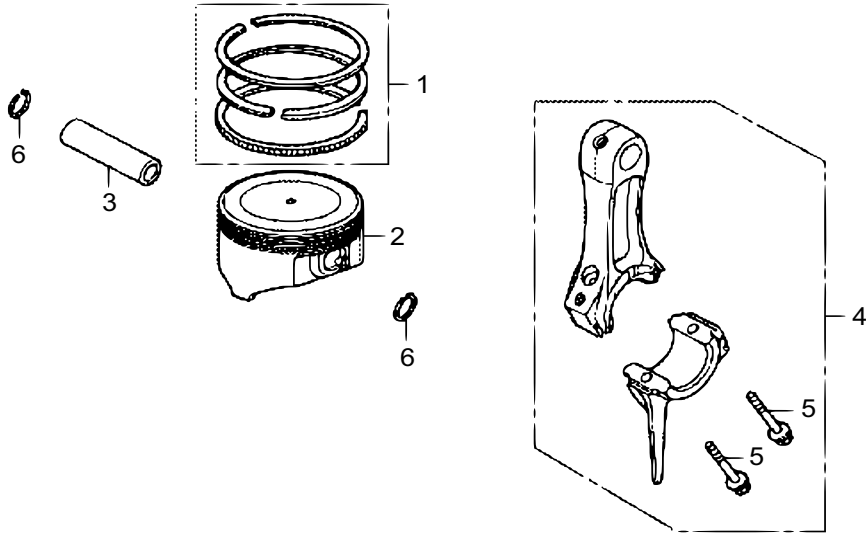
**HONDA GXR120RTKRB ENGINE — CRANKSHAFT ASSY.**

---

<u>NO.</u>	<u>PART NO.</u>	<u>PART NAME</u>	<u>QTY.</u>	<u>REMARKS</u>
1	13310ZDJ000	CRANKSHAFT COMPLETE .....	1.....	INCLUDES ITEM W/#
3#	91005KS4003	BEARING, RADIAL BALL	1	

# HONDA GXR120RTKRBFB ENG. — PISTON/CONN. ROD ASSY.

---

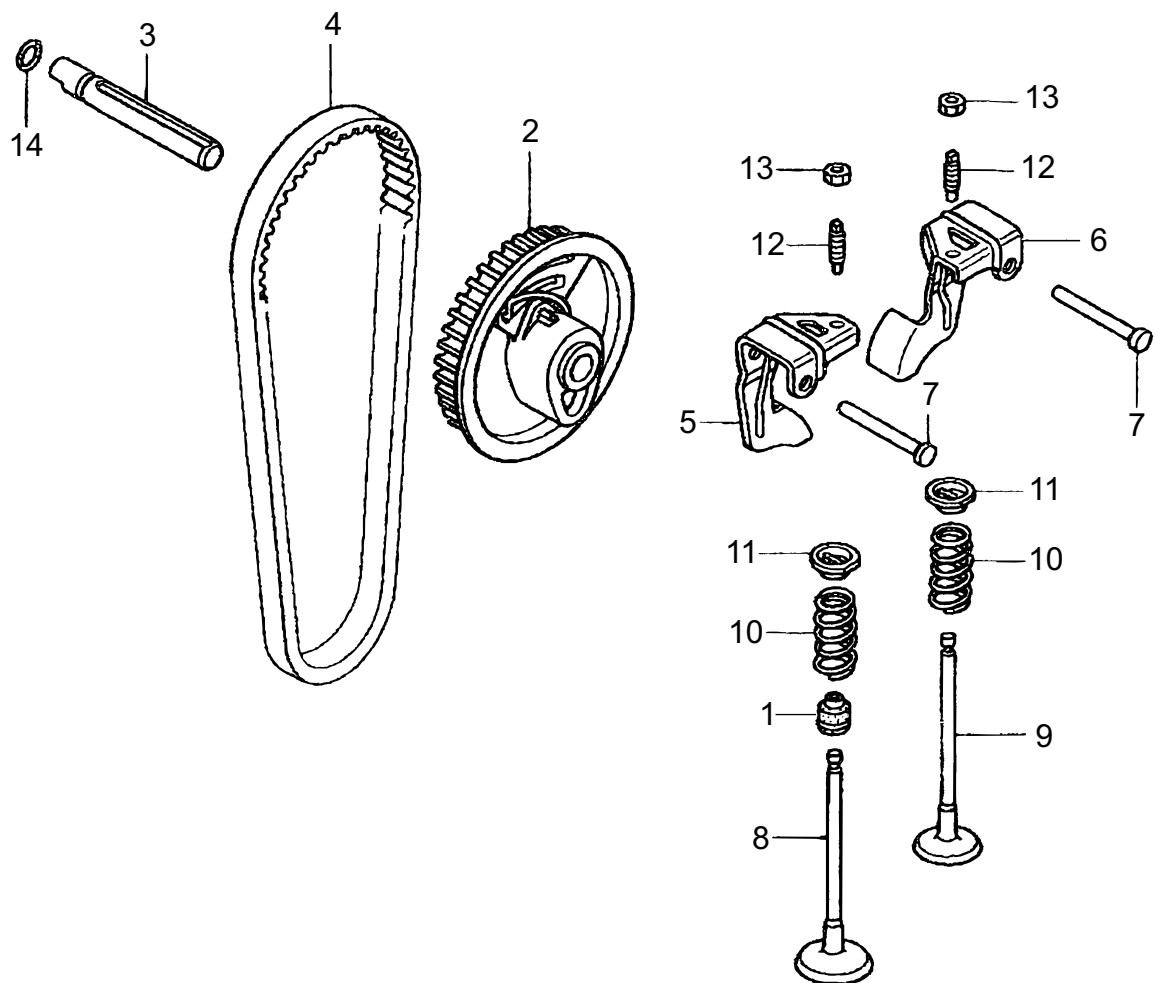


# HONDA GXR120RTK RBF ENG. — PISTON/CONN. ROD ASSY.

---

<u>NO.</u>	<u>PART NO.</u>	<u>PART NAME</u>	<u>QTY.</u>	<u>REMARKS</u>
1	13010ZDJ003	RING SET, PISTON STD.	1	
2	13101ZDJ000	PISTON	1	
3	13111ZE0000	PISTON PIN	1	
4	13200ZDJ000	CONNECTING ROD ASSY.....	1.....	INCLUDES ITEM W/\$
5\$	90001ZDJ000	CONNECTING ROD BOLT 6X32	2	
6	90551ZE0000	CLIP, PISTON PIN 13MM	2	

# HONDA GXR120RTKRB ENG. — CAMSHAFT PULLEY ASSY.

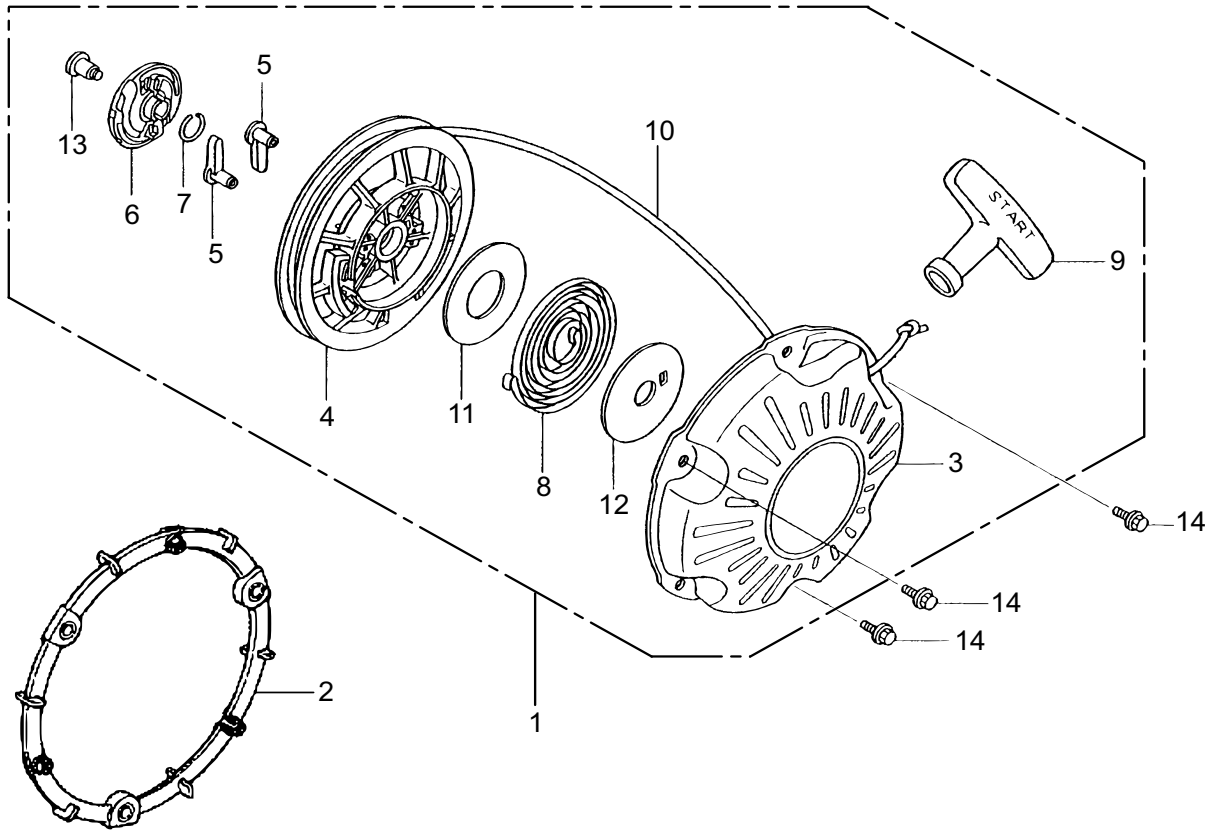


## **HONDA GXR120RTKRB ENG. — CAMSHAFT PULLEY ASSY.**

---

<b><u>NO.</u></b>	<b><u>PART NO.</u></b>	<b><u>PART NAME</u></b>	<b><u>QTY.</u></b>	<b><u>REMARKS</u></b>
1	12209KT7013	SEAL, VALVE STEM	1	
2	14320ZDD000	PULLEY COMPLETE, CAMSHAFT	1	
3	14324Z0D000	SHAFT, CAM PULLEY	1	
4	14400Z0D003	TIMING BELT	1	
5	14431ZDD000	ROCKER ARM, INTAKE VALVE	1	
6	14441ZDD000	ROCKER ARM, EXHAUST VALVE	1	
7	14461ZL8000	SHAFT, ROCKER ARM	2	
8	14711Z0D000	VALVE, INLET	1	
9	14721Z0D000	VALVE, EXHAUST	1	
10	14751Z0D000	SPRING, VALVE	2	
11	14771ZM3010	RETAINER, VALVE SPRING	2	
12	90012333000	SCREW, TAPPET ADJUSTING	2	
13	90206001000	NUT, TAPPET ADJUSTING	2	
14	91301ZM0V31	O-RING	1	

# HONDA GXR120RTKRBF ENG. — RECOIL STARTER ASSY.



# HONDA GXR120RTKRBF ENG. — RECOIL STARTER ASSY.

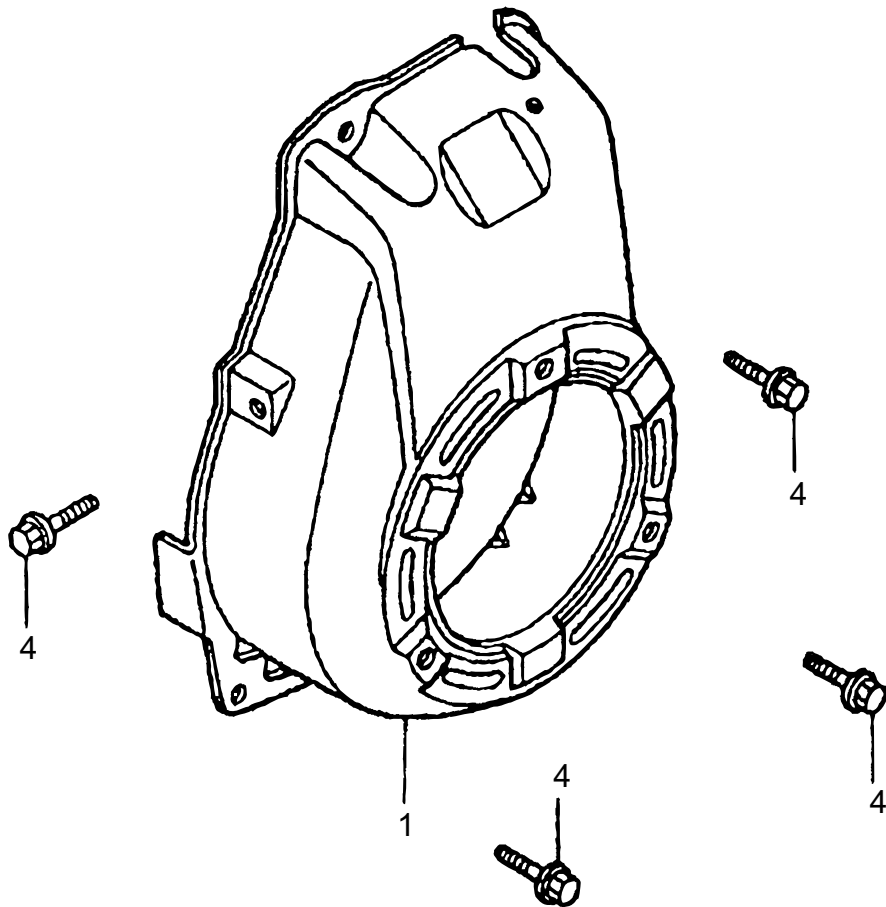
---

<u>NO.</u>	<u>PART NO.</u>	<u>PART NAME</u>	<u>QTY.</u>	<u>REMARKS</u>
1	28400ZDJ003ZB	RECOIL STARTER ASSY., BLK.....	1.....	INCLUDES ITEMS W/#
2	28405ZDJ000	SPACER, RECOIL STARTER MOUNTING	1	
3#	28410ZDJ003ZB	CASE COMP., RECOIL STARTER, BLK.	1	
4#	28421Z0DV02	REEL, RECOIL STARTER	1	
5#	28422ZG0W02	RATCHET, STARTER	2	
6#	28433ZG0W02	GUIDE, RATCHET	1	
7#	28441ZW6003	SPRING, FRICTION	1	
8#	28442ZH8003	SPRING, RECOIL STARTER	1	
9#	28461ZH8013	KNOB, RECOIL STARTER	1	
10#	28462Z0DV03	ROPE, RECOIL STARTER	1	
11#	28467Z0DV02	PLATE, SIDE	1	
12#	28468Z0DV02	PLATE, SLIDE	1	
13#	90003ZH8003	SCREW, SETTING	1	
14	957010601400	BOLT, FLANGE 6X14	3	



# HONDA GXR120RTKRB ENGINE — FAN COVER ASSY.

---

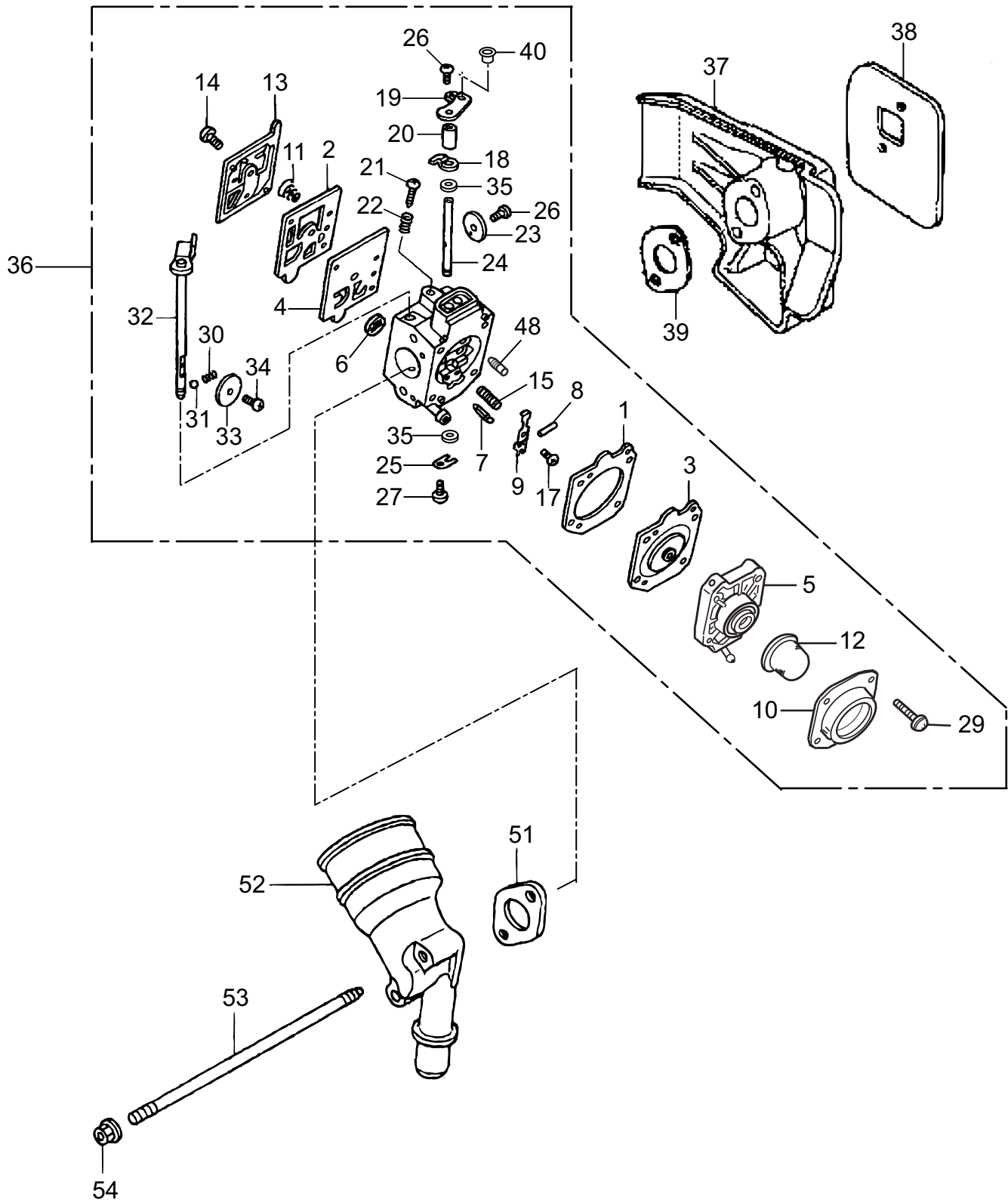


# HONDA GXR120RTKRB ENGINE — FAN COVER ASSY.

---

<u>NO.</u>	<u>PART NO.</u>	<u>PART NAME</u>	<u>QTY.</u>	<u>REMARKS</u>
1	19610Z4ES30ZA	FAN COVER COMPLETE, BLK	1	
4	90014952000	BOLT, FLANGE 6X14	4	

# HONDA GXR120RTKRFB ENGINE — CARBURETOR ASSY.

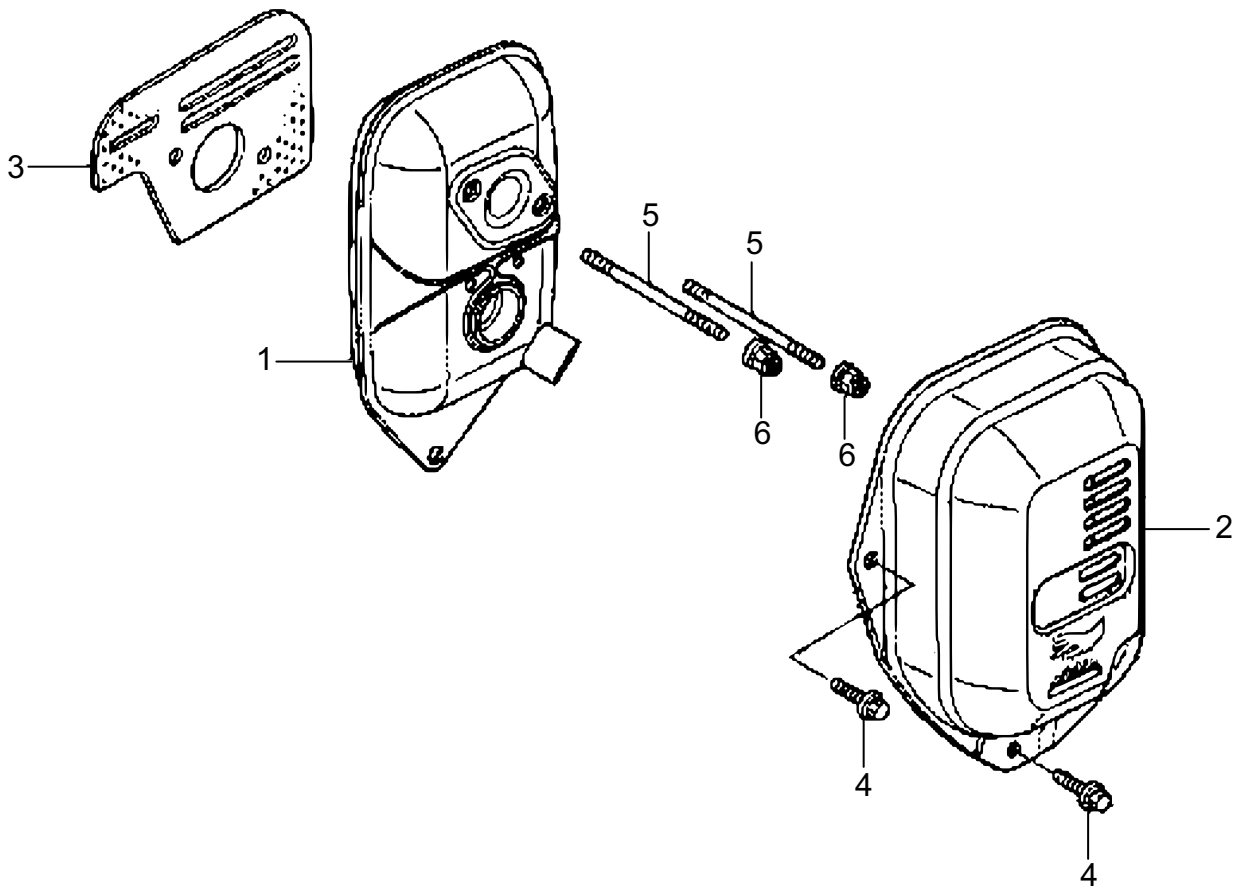


## HONDA GXR120RTKRB ENGINE — CARBURETOR ASSY.

<u>NO.</u>	<u>PART NO.</u>	<u>PART NAME</u>	<u>QTY.</u>	<u>REMARKS</u>
1\$	16010Z0DV02	GASKET, METERING DIAPHRAGM	1	
2\$	16011Z0DV02	GASKET, PUMP	1	
3\$	16013Z4ES44	DIAPHRAGM ASSY., METERING	1	
4\$	16014Z0DV02	DIAPHRAGM, PUMP	1	
5\$	16017Z4ES32	BODY ASSY., AIR PURGE	1	
6\$	16018ZM3004	SCREEN, INLET	1	
7\$	16019ZM3004	VALVE, INLET NEEDLE	1	
8\$	16022ZM3014	PIN, METERING LEVER	1	
9\$	16023Z0DV02	LEVER, METERING	1	
10\$	16026Z4ES32	COVER, PRIMER PUMP	1	
11\$	16030ZM3004	SPRING, PUMP	1	
12\$	16032Z4ES32	PUMP, PRIMER	1	
13\$	16040Z4E802	COVER, PUMP	1	
14\$	16041Z0DV02	SCREW	1	
15\$	16042Z0DV02	SPRING	1	
17\$	16044Z4E802	SCREW	1	
18\$	16045Z0DV02	STOPPER, THROTTLE LEVER	1	
19\$	16046Z0DV73	LEVER, THROTTLE	1	
20\$	16048Z0DV02	SPACER, THROTTLE LEVER	1	
21\$	16049Z4ES12	SCREW, IDLE ADJUSTING	1	
22\$	16050Z0DV02	SPRING	1	
23\$	16051Z4ES44	VALVE, THROTTLE	1	
24\$	16052Z0DV02	SHAFT, THROTTLE	1	
25\$	16053Z0DV02	CLIP, THROTTLE SHAFT	1	
26\$	16054Z0DV02	SCREW, VALVE	2	
27\$	16055Z0DV02	SCREW ASSY.	1	
29\$	16055Z4ES32	SCREW ASSY.	4	
30\$	16056Z0DV02	SPRING	1	
31\$	16057Z0DV02	BALL	1	
32\$	16058Z0DV02	SHAFT ASSY., CHOKE	1	
33\$	16059Z0DV03	VALVE, CHOKE	1	
34\$	16060Z0DV02	SCREW	1	
35\$	16061Z0DV02	SEAL, DUST	2	
36	16100ZDJ813	CARBURETOR ASSY.....	1	INCLUDES ITEMS W/\$
37	16211ZDJ000	INSULATOR, CARBURETOR	1	
38	16212Z0DV00	PACKING, INSULATOR	1	
39	16221Z0DV00	PACKING, CARBURETOR	1	
40\$	16552896650	COLLAR, LEVER	1	
48\$	99101Z0D0480	JET	1	
51	17228Z0DV01	PACKING, AIR CLEANER	1	
52	17410Z4ES31	ELBOW, AIR CLEANER	1	
53	90042ZDJ810	BOLT, STUD 5X95	2	
54	9405005000	NUT, FLANGE 5MM	2	

# HONDA GXR120RTKRBF ENGINE — MUFFLER ASSY.

---

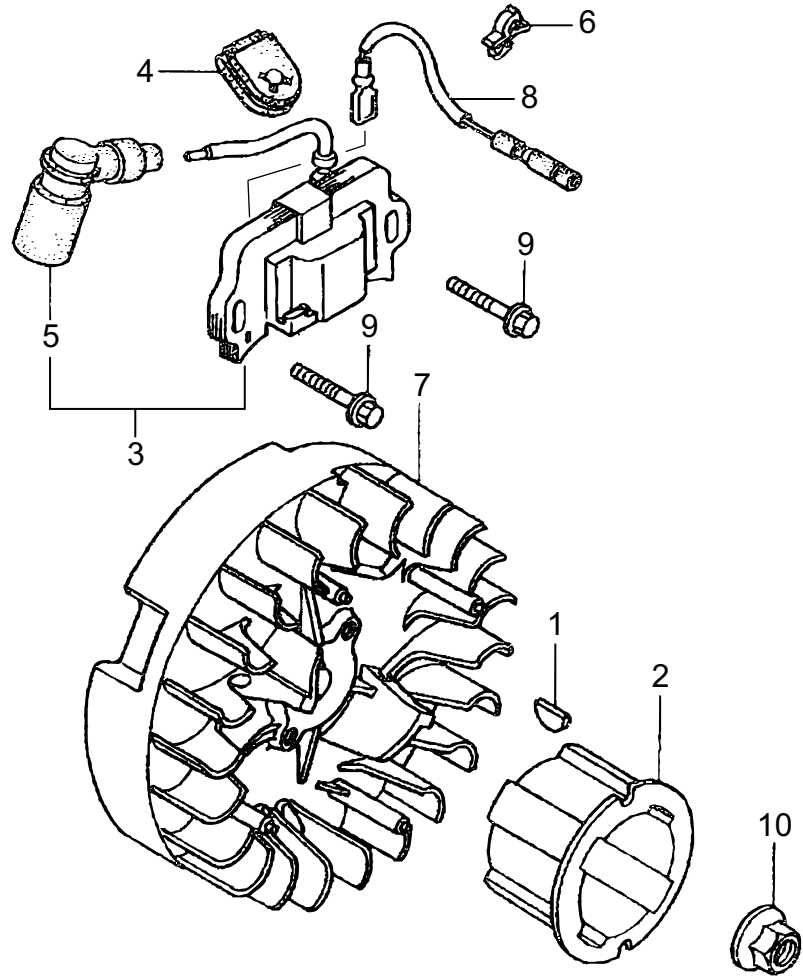


## HONDA GXR120RTKRB ENGINE — MUFFLER ASSY.

---

<u>NO.</u>	<u>PART NO.</u>	<u>PART NAME</u>	<u>QTY.</u>	<u>REMARKS</u>
1	18310ZDJ000	MUFFLER COMPLETE (RAMMER)	1	
2	18320ZDJ000	MUFFLER PROTECTOR COMP., (RAMMER)	1	
3	18381Z0D000	GASKET, MUFFLER	1	
4	90014952000	BOLT, FLANGE 6X14	3	
5	90048ZDJ000	BOLT, STUD 6X56.5	2	
6	90343ZE6000	NUT, SELF-LOCK 6MM	2	

# HONDA GXR120RTKRBF ENG. — FLYWHEEL IGNITION ASSY.

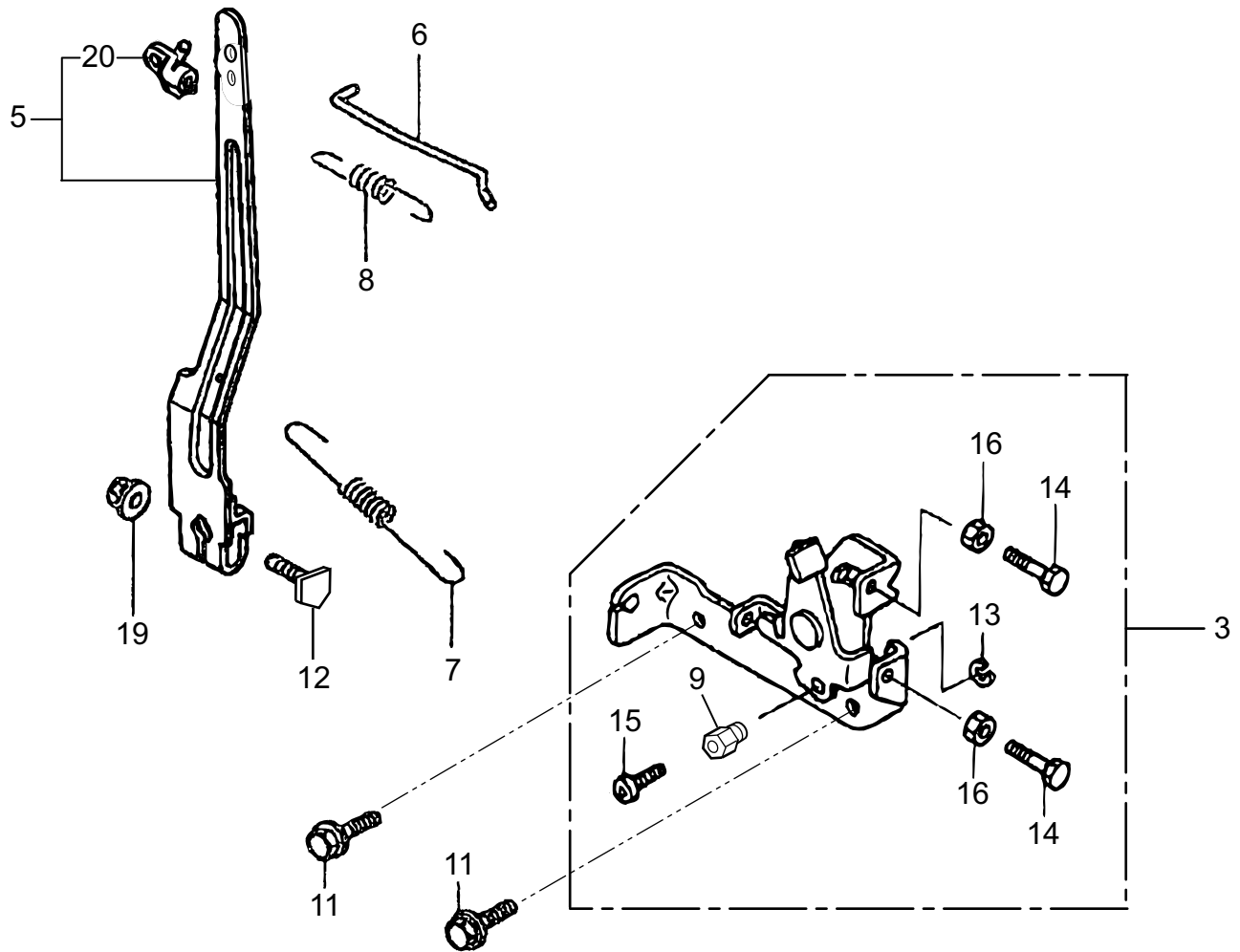


## HONDA GXR120RTKRBF ENG. — FLYWHEEL IGNITION ASSY.

<u>NO.</u>	<u>PART NO.</u>	<u>PART NAME</u>	<u>QTY.</u>	<u>REMARKS</u>
1	13331357000	KEY, SPECIAL WOODRUFF 25X18	1	
2	28451ZDJ003	PULLEY, STARTER	1	
3	30500Z0DV02	COIL ASSY., IGNITION .....	1.....	INCLUDES ITEMS W/\$
4	30564ZA5000	GROMMET, CORD	1	
5\$	30700Z0DV01	TERMINAL ASSY., HIGH TENSION	1	
6	30701883000	CLIP, HIGH TENSION CORD	1	
7	31110ZDJ003	FLYWHEEL COMPLETE	1	
8	32195Z0D000	CORD, STOP SWITCH	1	
9	90022888010	BOLT, FLANGE 6X20	2	
10	90201Z0T800	NUT, SPECIAL 14MM	1	



# HONDA GXR120RTKRBF ENGINE — CONTROL ASSY.

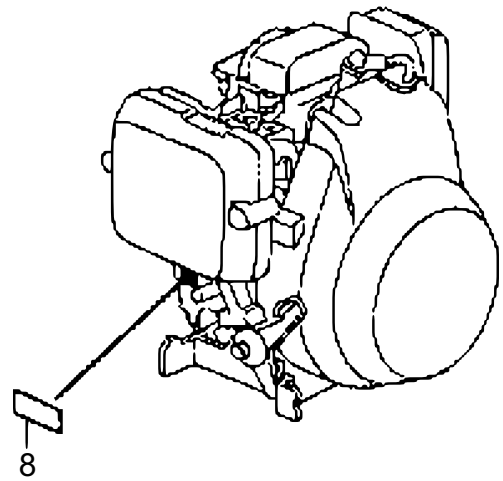
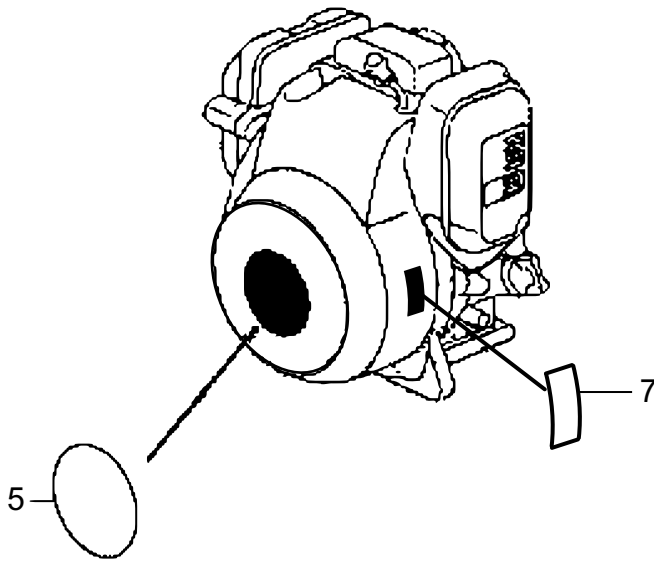
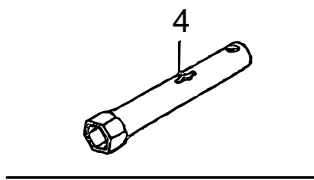


## HONDA GXR120RTKRBF ENGINE — CONTROL ASSY.

<u>NO.</u>	<u>PART NO.</u>	<u>PART NAME</u>	<u>QTY.</u>	<u>REMARKS</u>
3	16500Z4ES30	CONTROL ASSY.....	1.....	INCLUDES ITEMS W/#
5	16550Z0DV01	ARM COMPLETE, GOVERNOR .....	1.....	INCLUDES ITEMS W/@
6	16555Z0DV00	ROD, GOVERNOR	1	
7	16561ZDJ000	SPRING, GOVERNOR	1	
8	16562ZDJ000	SPRING, THROTTLE RETURN	1	
9#	16594883010	HOLDER, WIRE	1	
11	90014952000	BOLT, FLANGE 6X14	2	
12	90015Z5T000	BOLT, GOVERNOR ARM	1	
13#	90605230000	CIRCLIP, 5MM	1	
14#	92301050200A	BOLT, RECESSED 5X20	2	
15#	93500040060H	SCREW, PAN 4X6	1	
16#	9400105000	NUT, HEX. 5MM	2	
19	9405006000	NUT, FLANGE 6MM	1	
20@	16263883W10	JOINT, ROD	1	

# HONDA GXR120RTKRBF ENGINE — TOOL/LABELS ASSY.

---



## **HONDA GXR120RTKRBF ENGINE — TOOL/LABELS ASSY.**

---

<u>NO.</u>	<u>PART NO.</u>	<u>PART NAME</u>	<u>QTY.</u>	<u>REMARKS</u>
4	89216045670	WRENCH, PLUG	1	
5	87521ZDJ000	EMBLEM	1	
7	87539Z0J000	MARK, EX, CAUTION (ENGLISH)	1	
8	87601Z4ES30	MARK, TYPE (KRBF)	1	