

PARTS MANUAL



Mikasa **SERIES**
MODEL MTX60HF
TAMPING RAMMER
(HONDA GX100RTKRB5 GASOLINE ENGINE)

Revision #6 (11/03/21)

THIS MANUAL MUST ACCOMPANY THE EQUIPMENT AT ALL TIMES.

TABLE OF CONTENTS

MTX60HF Rammer

Explanation Of Code In Remarks Column.....	4
Suggested Spare Parts	5

Rammer Component Drawings

Nameplates And Decals	6-7
Crankcase And Engine Assembly	8-11
Guide Cylinder Assembly	12-13
Foot Assembly	14-15
Fuel Tank And Handle Assembly.....	16-17
Combination Lever Assembly	18-19
Tools Assembly.....	20-21

Honda GX100RTKRB5 Engine

Cylinder Barrel Assembly	22-23
Crankcase Cover Assembly	24-25
Crankshaft Assembly.....	26-27
Piston And Connecting Rod Assembly.....	28-29
Camshaft Assembly.....	30-31
Recoil Starter Assembly	32-33
Carburetor Assembly	34-35
Fan Cover Assembly.....	36-37
Muffler Assembly	38-39
Flywheel Ignition Assembly	40-41
Control Assembly	42-43
Labels Assembly	44-45

NOTICE

Part numbers are subject to change without notice.

EXPLANATION OF CODE IN REMARKS COLUMN

The following section explains the different symbols and remarks used in the Parts section of this manual. Use the help numbers found on the back page of the manual if there are any questions.

NOTICE

The contents and part numbers listed in the parts section are subject to change **without notice**. Multiquip does not guarantee the availability of the parts listed.

SAMPLE PARTS LIST

NO.	PART NO.	PART NAME	QTY.	REMARKS
1	12345	BOLT	1	INCLUDES ITEMS W/%
2%		WASHER, 1/4 IN.		NOT SOLD SEPARATELY
2%	12347	WASHER, 3/8 IN. ...	1	MQ-45T ONLY
3	12348	HOSE	A/R	MAKE LOCALLY
4	12349	BEARING	1	S/N 2345B AND ABOVE

NO. Column

Unique Symbols — All items with same unique symbol (@, #, +, %, or >) in the number column belong to the same assembly or kit, which is indicated by a note in the “Remarks” column.

Duplicate Item Numbers — Duplicate numbers indicate multiple part numbers, which are in effect for the same general item, such as different size saw blade guards in use or a part that has been updated on newer versions of the same machine.

NOTICE

When ordering a part that has more than one item number listed, check the remarks column for help in determining the proper part to order.

PART NO. Column

Numbers Used — Part numbers can be indicated by a number, a blank entry, or TBD.

TBD (To Be Determined) is generally used to show a part that has not been assigned a formal part number at the time of publication.

A blank entry generally indicates that the item is not sold separately or is not sold by Multiquip. Other entries will be clarified in the “Remarks” Column.

QTY. Column

Numbers Used — Item quantity can be indicated by a number, a blank entry, or A/R.

A/R (As Required) is generally used for hoses or other parts that are sold in bulk and cut to length.

A blank entry generally indicates that the item is not sold separately. Other entries will be clarified in the “Remarks” Column.

REMARKS Column

Some of the most common notes found in the “Remarks” Column are listed below. Other additional notes needed to describe the item can also be shown.

Assembly/Kit — All items on the parts list with the same unique symbol will be included when this item is purchased.

Indicated by:

“INCLUDES ITEMS W/(unique symbol)”

Serial Number Break — Used to list an effective serial number range where a particular part is used.

Indicated by:

“S/N XXXXX AND BELOW”

“S/N XXXX AND ABOVE”

“S/N XXXX TO S/N XXX”

Specific Model Number Use — Indicates that the part is used only with the specific model number or model number variant listed. It can also be used to show a part is NOT used on a specific model or model number variant.

Indicated by:

“XXXXX ONLY”

“NOT USED ON XXXX”

“Make/Obtain Locally” — Indicates that the part can be purchased at any hardware shop or made out of available items. Examples include battery cables, shims, and certain washers and nuts.

“Not Sold Separately” — Indicates that an item cannot be purchased as a separate item and is either part of an assembly/kit that can be purchased, or is not available for sale through Multiquip.

SUGGESTED SPARE PARTS

MTX60HF RAMMER WITH HONDA GX100RTKRB5 ENGINE

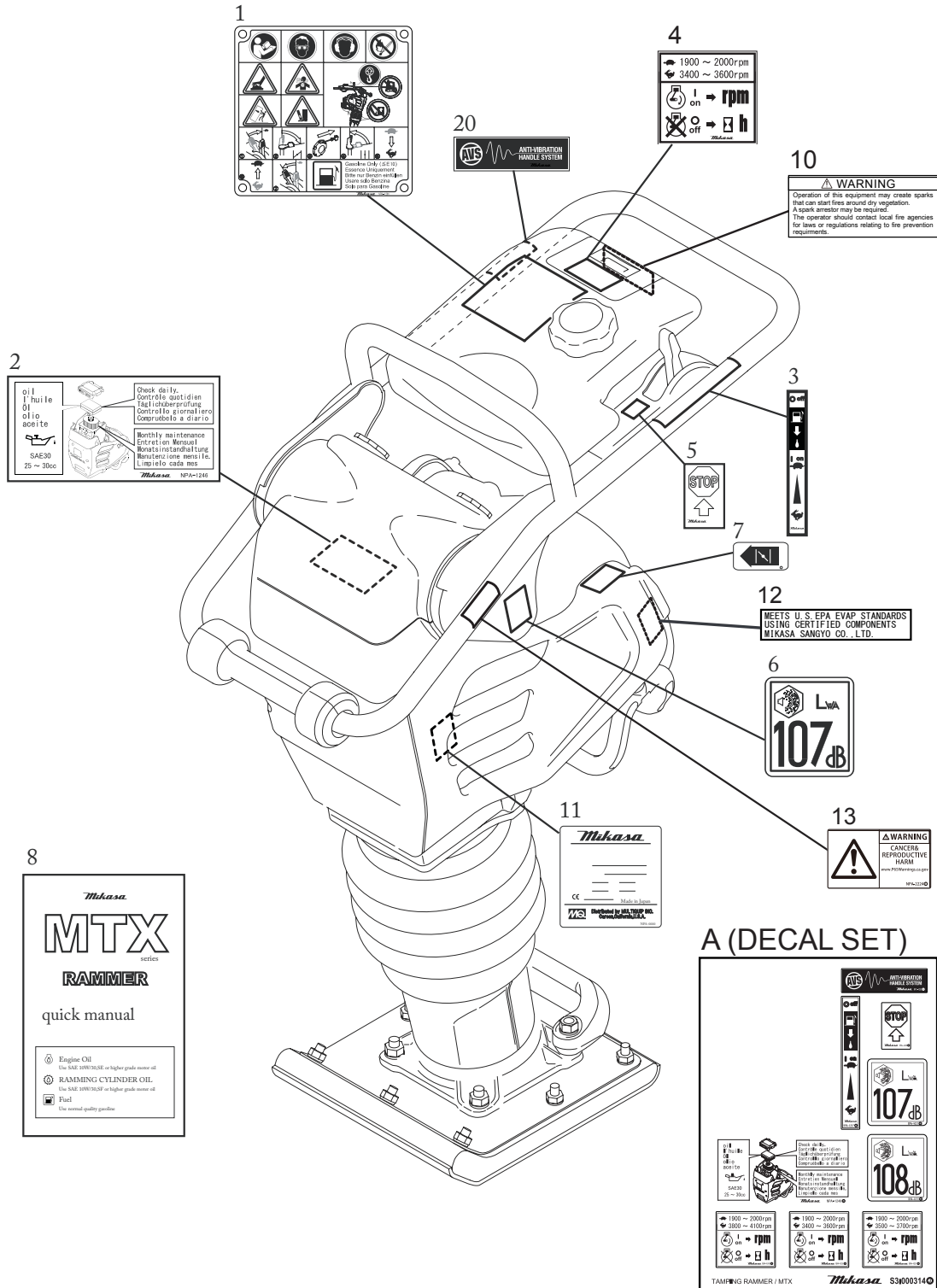
1 TO 3 UNITS

Qty.	P/N	Description
1.....	956100062	THROTTLE WIRE
3.....	366010070	PRIMARY ELEMENT, AIR CLEANER
3.....	366010080	SECONDARY ELEMENT, AIR CLEANER
1.....	366345570	CAP, FUEL TANK W/STRAP
2.....	16910Z4ES21	FILTER, IN-LINE FUEL
3.....	9805655757	SPARK PLUG
1.....	954406010	STRAINER, FUEL TANK
1.....	28462Z0DV03	ROPE, RECOIL STARTER

NOTICE

Part numbers on this Suggested Spare Parts list may supersede/replace the part numbers shown in the following parts lists.

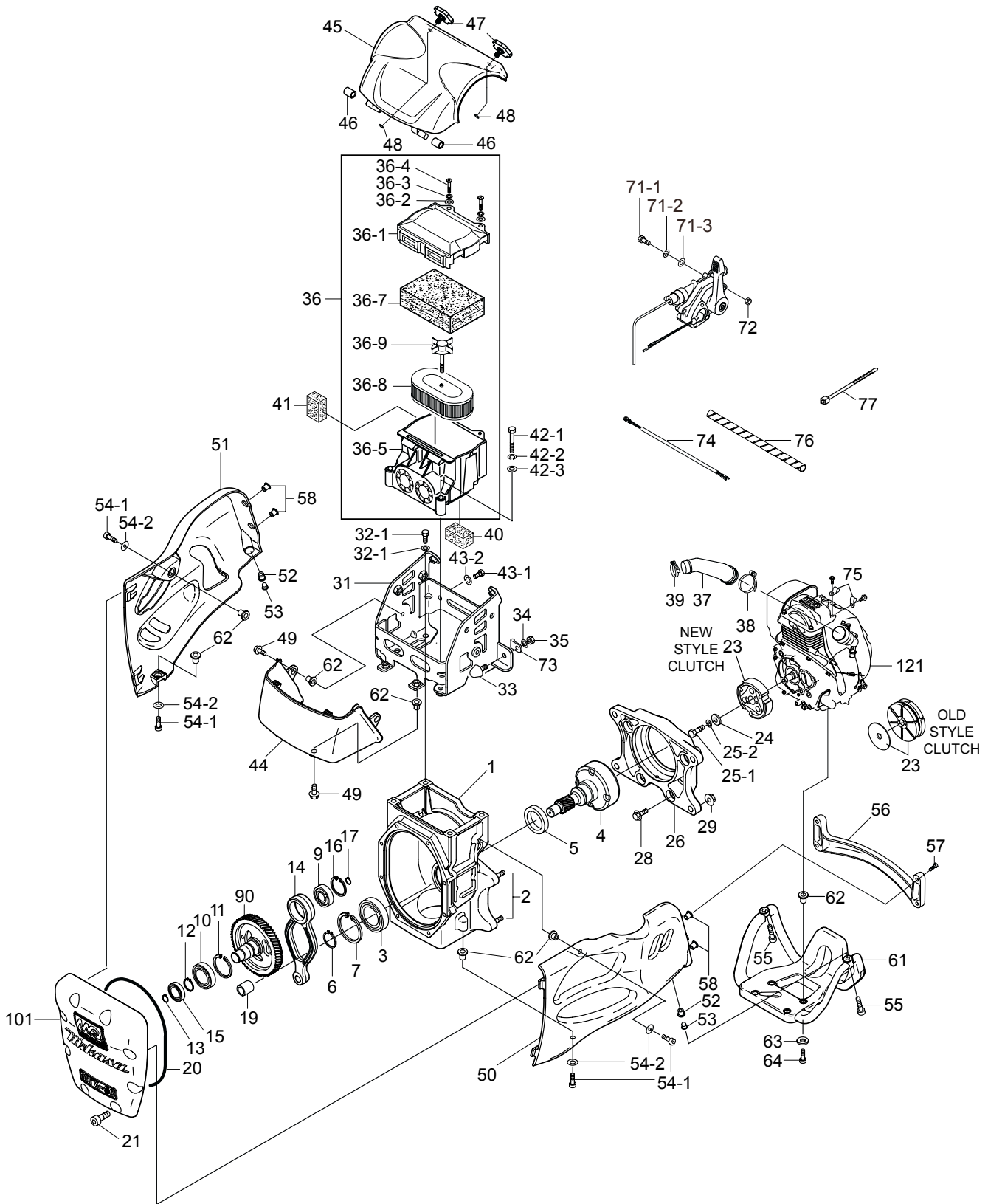
NAMEPLATES AND DECALS



NAMEPLATES AND DECALS

<u>NO.</u>	<u>PART NO.</u>	<u>PART NAME</u>	<u>QTY.</u>	<u>REMARKS</u>
A	920900040	DECAL SET	1.....	INCLUDES ITEMS W/ #
1	920215440	OPERATION DECAL	1	
2#		AIR CLEANER DECAL	1.....	NPA-1246
3#		LEVER OPERATION DECAL	1	
4#		MAX SPEED DECAL 4100	1	
5#		MACHINE STOP DECAL	1	
6#		EC NOISE REQ. DECAL LWA107	1	
7	920212840	CHOKE OPERATION DECAL	1	
8	920212540	QUICK MANUAL	1	
10	920214100	E/G FIRE WARNING. DECAL	1	
11		SERIAL PLATE NO.	1.....	CONTACT MQ PARTS DEPT.
12	920216780	DECAL, EVAPO MEET	1	
13	920222240	DECAL, WARNING PROPOSITION 65	1	
20#	920213730	ANTI-VIB. HANDLE DECAL	1	

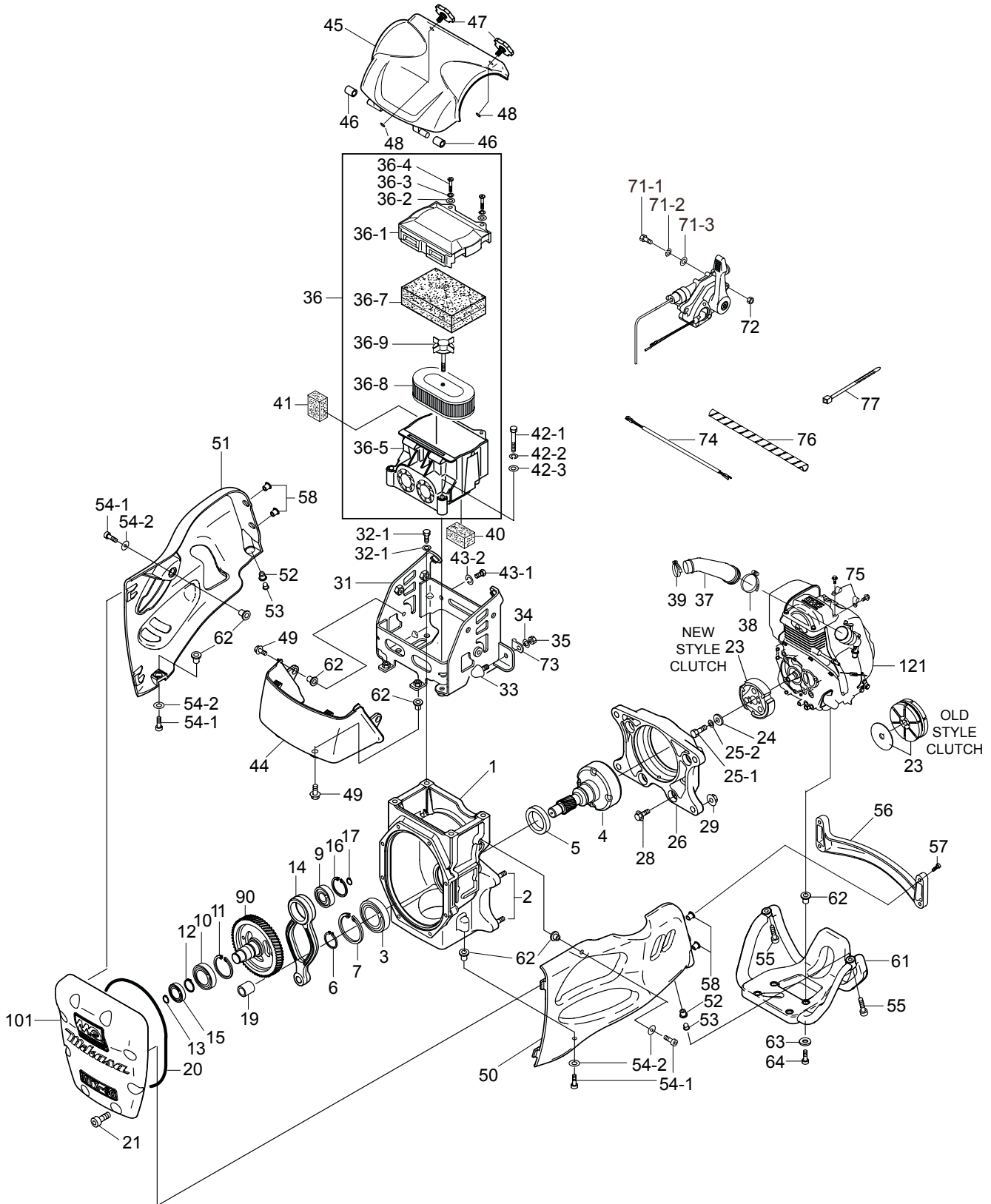
CRANKCASE AND ENGINE ASSY.



CRANKCASE AND ENGINE ASSY.

<u>NO.</u>	<u>PART NO.</u>	<u>PART NAME</u>	<u>QTY.</u>	<u>REMARKS</u>
1	368119170	CRANKCASE CP.....	1.....	INCLUDES ITEM W/*
2*	009120204	STUD BOLT 10X50X21T/21S	4	
3	041006007	BEARING 6007Z	1	
4	368347410	PINION DRUM	1	
5	060404010	OIL SEAL TC - 40528	1	
6	080200350	STOP RING S-35	1	
7	080100620	STOP RING R-62	1	
9	040006304	BEARING 6304	1	
10	040006305	BEARING 6305	1	
11	080100620	STOP RING R62	1	
12	080200170	STOP RING S-17	1	
13	JISB2804C25	STOP RING.....	1.....	REPLACES P/N 080200250
14	368347250	CONNECTING ROD	1	
15	042506203	BEARING.....	1.....	REPLACES P/N 040006203
16	080100520	STOP RING R- 52	1	
17	080200200	STOP RING S- 20	1	
19	047940060	NEEDLE BEARING FJ-1816	1	
20	050710100	O- RING AS568- 267	1	
21	001520825	SOCKET HEAD BOLT 8X25 T	8	
23	366348550	CLUTCH ASSY.	1	
24	952401450	WASHER 8.5X22X3	1	
25-1	001220825	BOLT 8X25 T	1	
25-2	030208200	WASHER, LOCK M8	1	
26	368217640	ENGINE FLANGE	1	
28	001710840	SOCKET HEAD BOLT 8X40 T	4	
29	022611010	FLANGE NUT M10 H	4	
31	368347490	SHOCK ABSORBER BRACKET 60	1	
32-1	001211030	BOLT 10X30 H	4	
32-2	030210250	WASHER, LOCK M10	4	
33	939010270	STOPPER RUBBER (70)	1	
34	030208200	WASHER, LOCK M8	1	
35	020308060	NUT M8	1	
36	366118640	AIR CLEANER ASSY.....	1.....	INCLUDES ITEMS W/#
36-1#	366010010	AIR CLEANER COVER	1	
36-2#	366010020	WASHER, FLAT M6 (6.5X18X1.5)	2	
36-3#	030206150	WASHER, LOCK M6	2	
36-4#	366010040	COIN BOLT M6	2	
36-5#	366010050	AIR CLEANER BASE CP	1	
36-7#	366010070	PRIMARY ELEMENT CP	1	
36-8#	366010080	SECONDARY ELEMENT	1	
36-9#	366030040	GRIP BPLT CP	1	
37	366345470	INTAKE PIPE	1	
38	954407681	CYCLONE CLAMP (CY- 1) 45	1	
39	954407682	CYCLONE CLAMP (CY- 1) 38	1	
40	366460160	UNDER SEALING FORM	1	

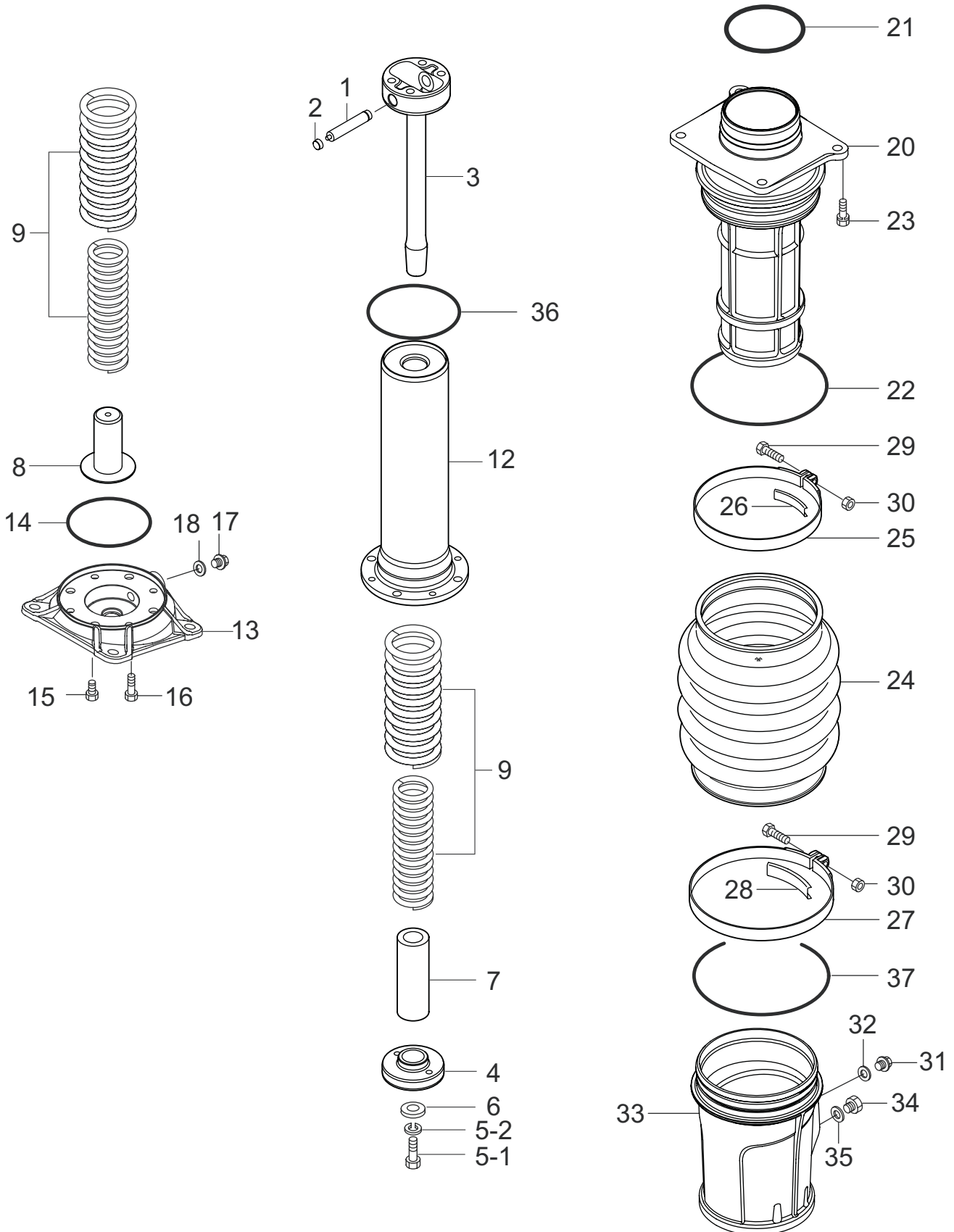
CRANKCASE AND ENGINE ASSY. (CONT'D.)



CRANKCASE AND ENGINE ASSY. (CONT'D.)

<u>NO.</u>	<u>PART NO.</u>	<u>PART NAME</u>	<u>QTY.</u>	<u>REMARKS</u>
41	366460150	SIDE SEALING FORM	1	
42-1	001220851	BOLT 8X55 T	2	
42-2	030208200	WASHER, LOCK M8	2	
42-3	031108160	WASHER, FLAT M8	2	
43-1	001210815	BOLT 8X15 H	2	
43-2	030208200	WASHER, LOCK M8	2	
44	368217760	BOTTOM CLEANER COVER 60	1	
45	368217750	TOP CLEANER COVER 60	1	
46	366460140	RUBBER BUSH 10X16X17	2	
47	366345980	CLEANER COVER KNOB	2	
48	050200060	O-RING P6	2	
49	009110040	FLANGE BOLT 8X20	4	
50	368119470	LINK GUARD	1	
51	368119480	MUFFLER GUARD	1	
52	022910260	WELL NUT M8	2	
53	366460170	FLANGE COLLAR 8	2	
54-1	001520820	SOCKET HEAD BOLT 8X20 T	4	
54-2	033910220	WASHER, FLAT M8	4	
55	009110038	SOCKET HEAD BOLT 8X30 ZN	2	
56	368217770	EX BAR	1	
57	009110039	SOCKET HEAD BOLT 6X25 ZN	4	
58	022910250	WELL NUT M6	4	
61	368119490	ENGINE GUARD	1	
62	366461050	COLLAR/GUARD	12	
63	033910220	WASHER 8.4X15.5X1.6	4	
64	009110038	SOCKET HEAD BOLT 8X30 ZN	4	
71-1	001220620	BOLT 6X20 T	2	
71-2	030206150	WASHER, LOCK M6	2	
71-3	031106100	WASHER, FLAT M6	2	
72	020306050	NUT M6	2	
73	959006120	CLIP (TCP2-10509B)	1	
74	368461280	WIRE HARNESS	1	
75	2067550101	CLAMP COMPL	2	
76	959021814	SPIRAL TUBE KEP6/L=200	1	
77	454010020	CLAMP TC-100	3	
90	368347270	CRANK GEAR	1	
101	368010010	FRONT COVER	1	
121	912210026	ENGINE ASSY, GX100RTKRB5	1	

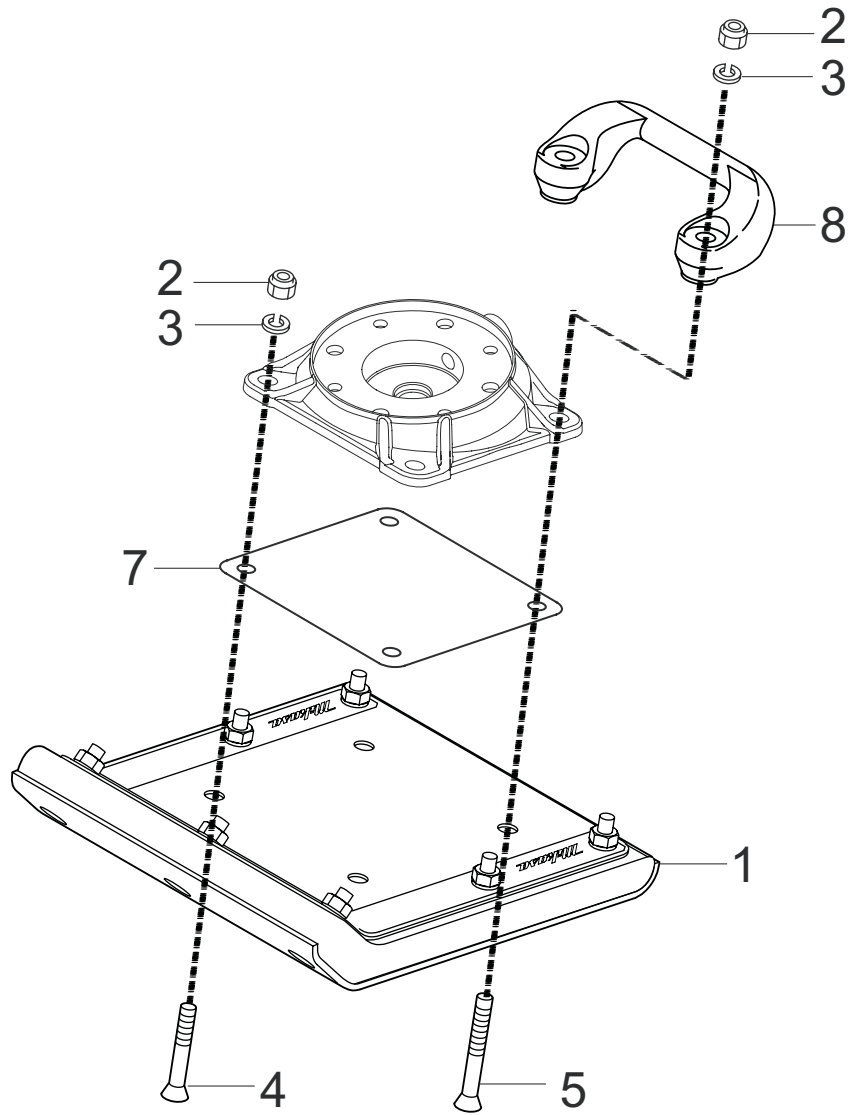
GUIDE CYLINDER ASSY.



GUIDE CYLINDER ASSY.

<u>NO.</u>	<u>PART NO.</u>	<u>PART NAME</u>	<u>QTY.</u>	<u>REMARKS</u>
1	368461210	PISTON PIN	1	
2	368459920	PISTON PIN PLUG	2	
3	368347290	PISTON ROD	1	
4	368461160	PISTON END	1	
5-1	001121230	BOLT 12X30 T	1	
5-2	030212300	WASHER, LOCK M12	1	
6	952404790	WASHER 13306	1	
7	368461260	LOWER STOPPER	1	
8	368461200	BOTTOM STOPPER	1	
9	368461270	MAIN SPRING	2	
12	368347281	SPRING CYLINDER.....	1.....	REPLACES P/N 368347280
13	368217710	FOOT PLATE	1	
14	050100800	O- RING G- 80	1	
15	001521020	SOCKET HEAD BOLT 15X20 T	4	
16	001520835	SOCKET HEAD BOLT 8X25 T	4	
17	953405270	PLUG 1/4X14 13L	1	
18	953405260	PACKING 1/4 (CU)	1	
20	368217720	CYLINDER GUIDE	1	
21	050100850	O-RING G-85	1	
22	050101150	O-RING G-115	1	
23	002211035	BOLT 10X35 H, SW4	4	
24	368346180	ORANGE BELLOWS	1	
25	368347520	BELLOWS CLAMP131D	1	
26	368461400	BAND GUIDE 131D	1	
27	368347530	BELLOWS CLAMP 149D	1	
28	368461410	BAND GUIDE 149D	1	
29	001220840	BOLT 8X40 T	2	
30	020308060	NUT M8	2	
31	953405270	PLUG 1/4X14 13L	1	
32	953405260	PACKING 1/4 (CU)	1	
33	368118970	PROTECTION SLEEVE	1	
34	366460300	OIL GAUGE ASSY	1	
35	953404670	COPPER PACKING 17X25.5X1	1	
36	050200800	O-RING P-80	1	
37	050101300	O-RING G-130	1	

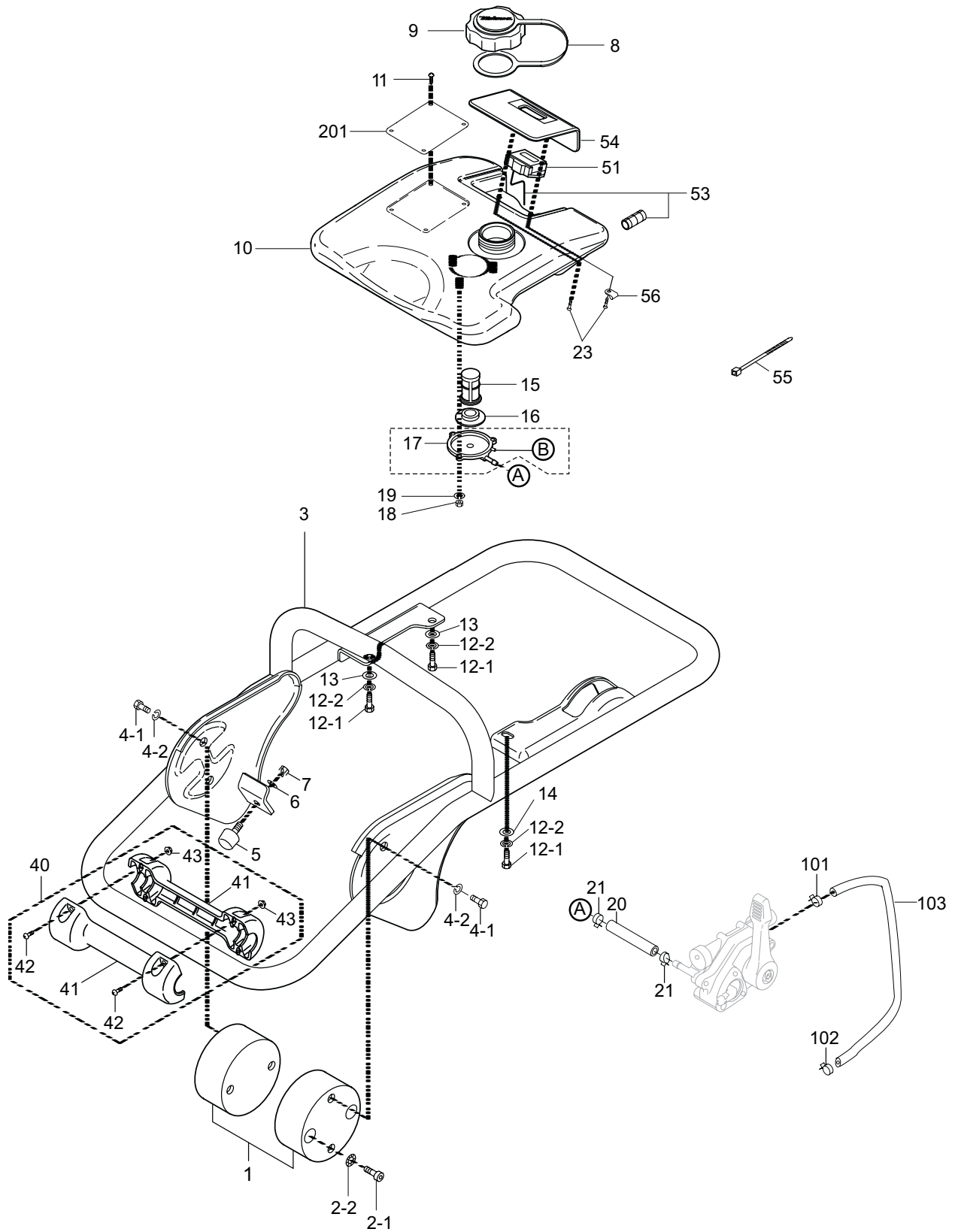
FOOT ASSY.



FOOT ASSY.

<u>NO.</u>	<u>PART NO.</u>	<u>PART NAME</u>	<u>QTY.</u>	<u>REMARKS</u>
1	362910150	FOOT ASSY 265W M4B	1	
2	022711214	NYLON NUT M12	4	
3	030212300	WASHER, LOCK M12	4	
4	009110034	SQUARE NECK BOLT 12X65	2	
5	009110035	SQUARE NECK BOLT 12X95	2	
7	368347460	FOOT COVER	1	
8	363343390	HANDLEBAR GRIP (FOOT)	1	

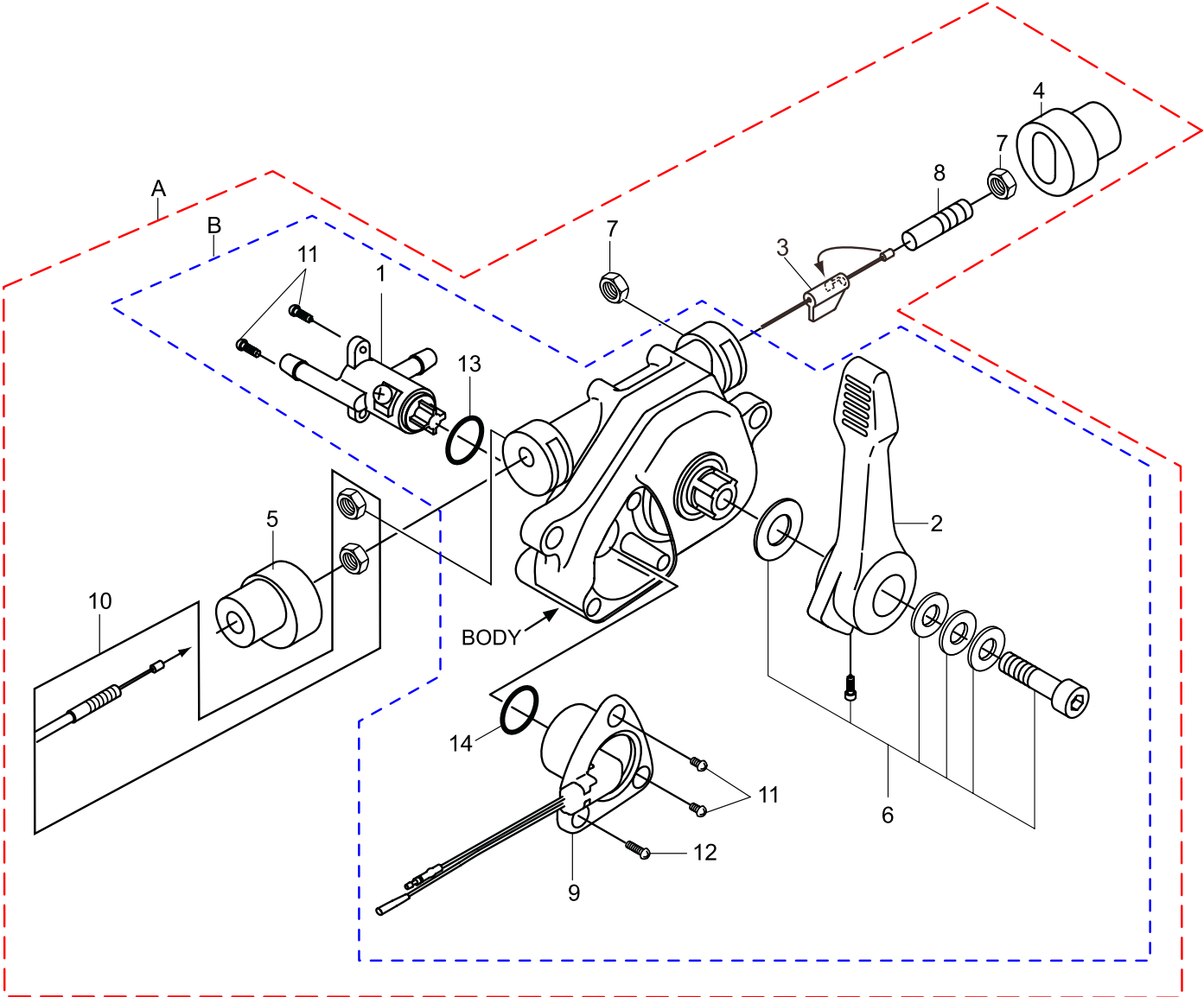
FUEL TANK AND HANDLE ASSY.



FUEL TANK AND HANDLE ASSY.

<u>NO.</u>	<u>PART NO.</u>	<u>PART NAME</u>	<u>QTY.</u>	<u>REMARKS</u>
1	368347630	SHOCK ABSORBER W/PIN	2	
2-1	001521020	SOCKET HEAD BOLT 10X20 T	4	
2-2	033121009	TOOTHED LOCK WASHER B M10	4	
3	368119570	HANDLE	1	
4-1	001211020	BOLT 10X20 H	4	
4-2	030210250	WASHER, LOCK M10	4	
5	939010270	RUBBER STOPPER (70)	1	
6	030208200	WASHER, LOCK M8	1	
7	020308060	NUT M8	1	
8*	366010060	TANK CAP STRAP	1	
9	366350010	FUEL TANK CAP ASSY.....	1	INCLUDES ITEM W/*
10	368119460	FUEL TANK 2L	1	
11	094010053	PAN HEAD SCREW 4X8	4	
12-1	001210815	BOLT 8X15 H	3	
12-2	030208200	WASHER, LOCK M8	3	
13	952401450	WASHER 8.5X22X3	2	
14	031108160	WASHER, FLAT M8	1	
15	954406010	STRAINER #110	1	
16	366459790	FUEL TANK PACKING	1	
17	366345280	FILTER HOLDER	1	
18	020305040	NUT M5	3	
19	030205130	WASHER, LOCK M5	3	
20	959328401	FUEL HOSE L=70	1	
21	0561080020	HOSE BAND	2	
23	009110037	TAPPING SCREW 5X20	2	
40	366910030	ROLLER ASSY W/SCREW	1	INCLUDES ITEM W/#
41#	366217170	ROLLER	2	
42#	091005020	SCREW 5X20	4	
43#	022610505	FLANGE NUT M5 H	4	
51	980010330	TACHO & HOUR METER	1	
53	980010400	CURL CORD TP-22	1	
54	366345620	METER FINISHER	1	
55	454010020	CLAMP TC-100	5	
56	954010270	CLIP AB-3N	1	
101	954407060	HOSE BAND 9	1	
102	950024085008	HOSE BAND 5-5-2	1	
103	91434Z4EW51	FUEL HOSE 350	1	
201	920212910	OPERATION DECAL	1	

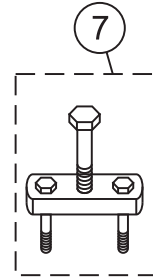
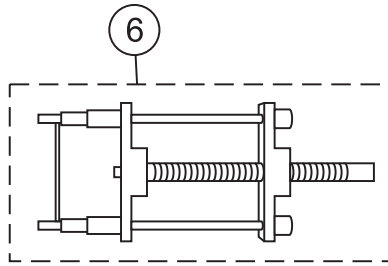
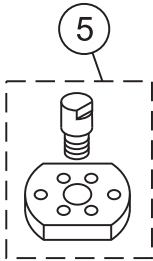
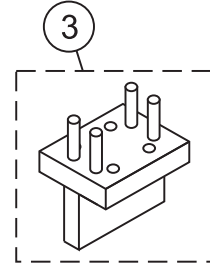
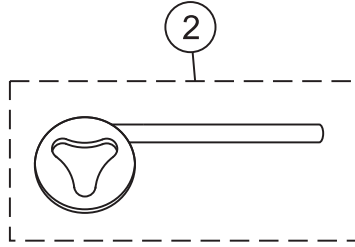
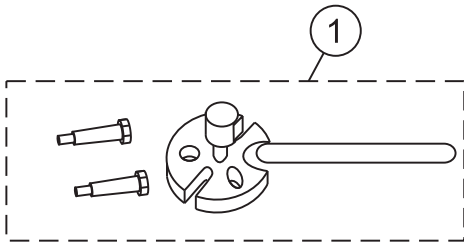
COMBINATION LEVER ASSY.



COMBINATION LEVER ASSY.

<u>NO.</u>	<u>PART NO.</u>	<u>PART NAME</u>	<u>QTY.</u>	<u>REMARKS</u>
A	366900032	COMB. LEVER W/THROTTLE WIRE	1.....	INCLUDES ITEMS W/@
B	956200110	COMB. LEVER W/OUT THROTTLE WIRE	1.....	INCLUDES ITEMS W/#
1@#	366349430	FUEL COCK	1	
2@#	366010310	LEVER	1	
3@	366010190	SLIDER	1	
4@	366010200	END CAP	1	
5@	366010210	WIRE CAP	1	
6@#	366010220	BOLT AND WASHER SET	1	
7@	020408050	NUT M8, H=5	2	
8@	959407650	SOCKET HEAD SCREW/TH.WIRE	1	
9@#	366010320	STOP SWITCH	1	
10@	956100062	THROTTLE WIRE	1	
11@#	094010051	TAPPING SCREW B1 4X12	4	
12@#	094010052	TAPPING SCREW B1 4X30	1	
13@#	050200150	O-RING, P15	1	
14@#	050200110	O-RING, P11	1	

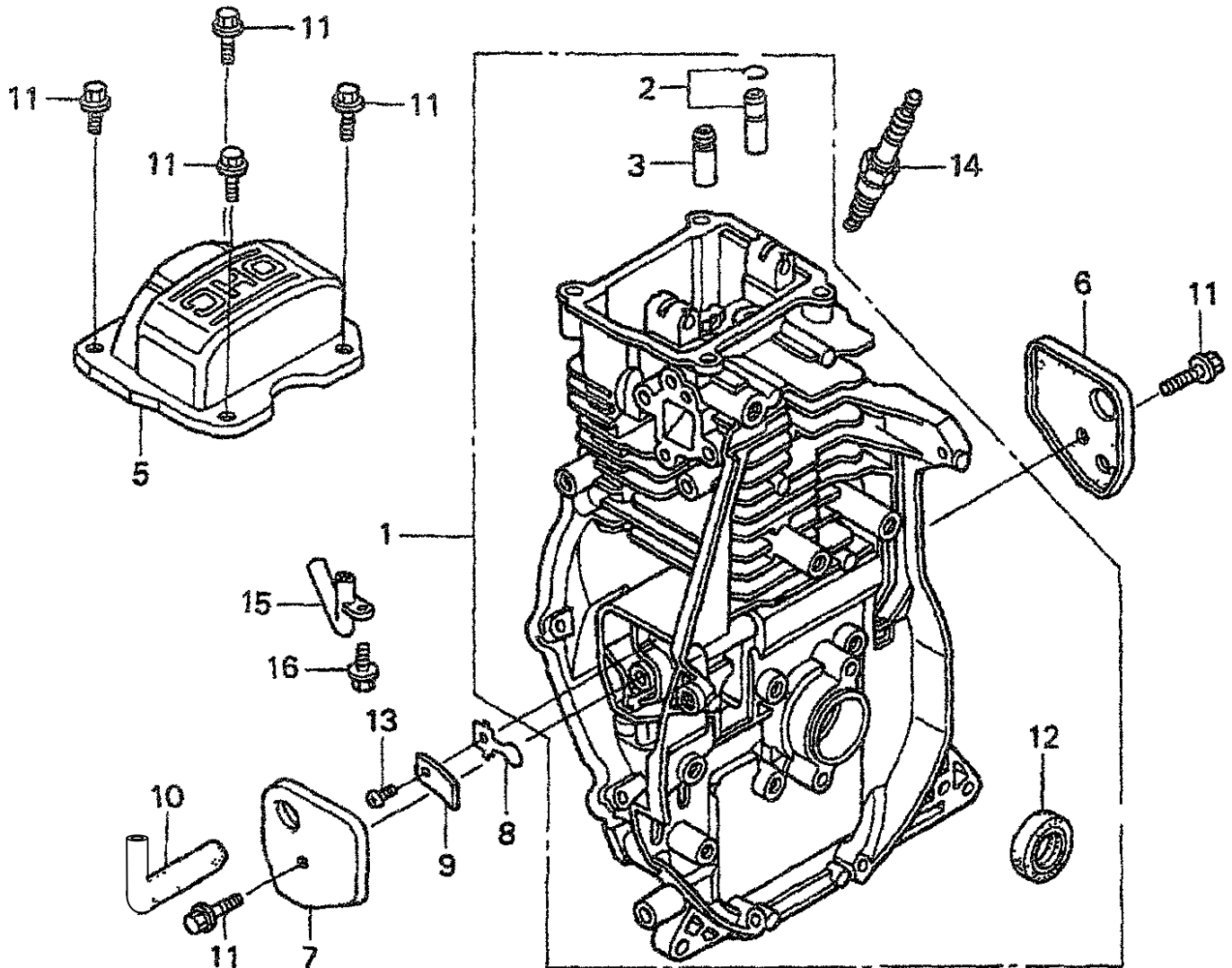
TOOLS ASSY.



TOOLS ASSY.

<u>NO.</u>	<u>PART NO.</u>	<u>PART NAME</u>	<u>QTY.</u>	<u>REMARKS</u>
1	981010400	CLUTCH PULLER A	1	
2	983010060	CLUTCH MOUNTER	1	
3	983910030	PISTON ROD HOLDER	1	
4	009110044	SOCKET HEAD BOLT 8X50 (FULL THREAD)		
		CRANK GEAR REMOVER	2	
5	983910021	CLUTCH PULLER B	1	
6	983010042	SPRING CYLINDER REMOVER	1	
7	983910010	PISTON END REMOVER	1	

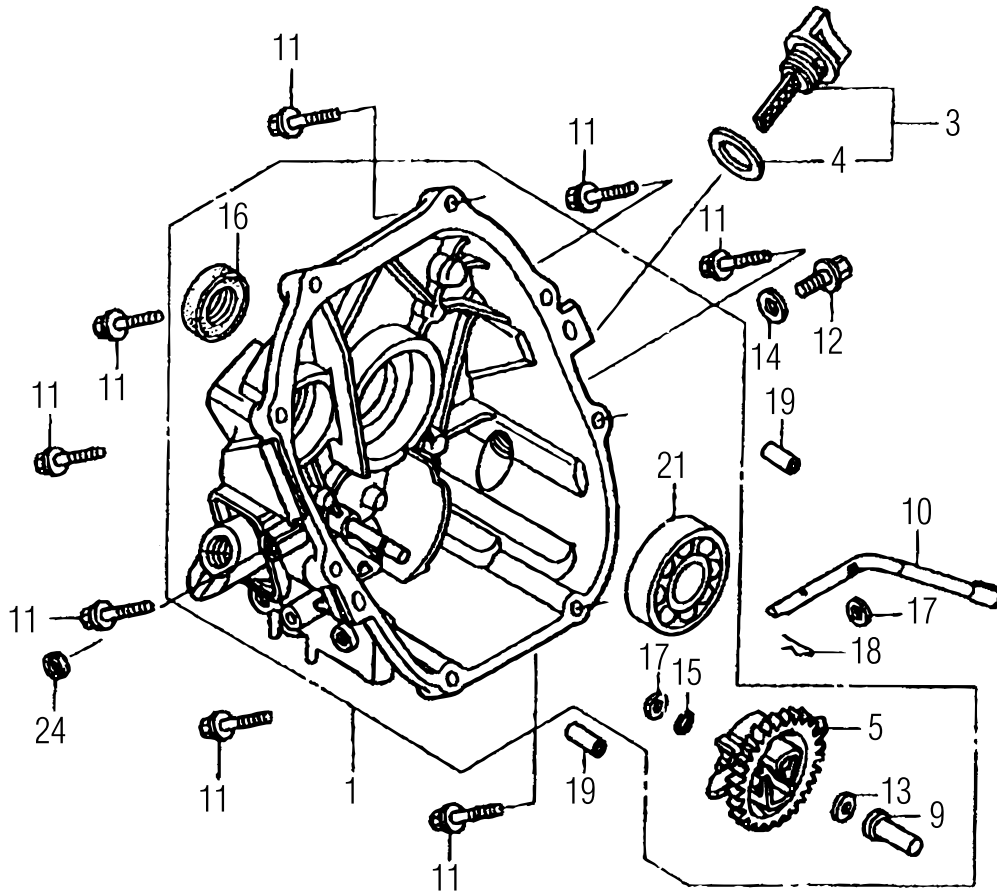
HONDA GX100RTKRB5 ENGINE — CYLINDER BARREL ASSY.



HONDA GX100RTKRB5 ENGINE — CYLINDER BARREL ASSY.

<u>NO.</u>	<u>PART NO.</u>	<u>PART NAME</u>	<u>QTY.</u>	<u>REMARKS</u>
1	12000Z0D405	BARREL ASSY., CYLINDER	1.....	INCLUDES ITEMS W/@
2@	12201Z0D305	GUIDE ASSY., EX VALVE (O.S.)	1	
3@	12204Z0D305	GUIDE, INLET VALVE (O.S)	1	
5	12311Z0D000	COVER, HEAD T	1	
6	12355Z0D000	COVER COMP A, BREATHER	1	
7	12365Z0D000	COVER COMP B, BREATHER	1	
8	15571Z0DV71	VALVE, OIL OUTLET	1	
9	15572ZM7000	PLATE, STOPPER	1	
10	15721Z0DV70	TUBE, BREATHER	1	
11	90014952000	BOLT, FLANGE 6X14 (CT200)	6	
12@	91202KJ9003	OIL SEAL 20X32X6	1	
13	93500030050A	SCREW 3X5	1	
14	9805655757	PLUG, SPARK (U16FSR-UB)	1	
15	15171Z0DV00	PIPE, BREATHER	1	
16	90008ZM7000	BOLT 4X10	1	

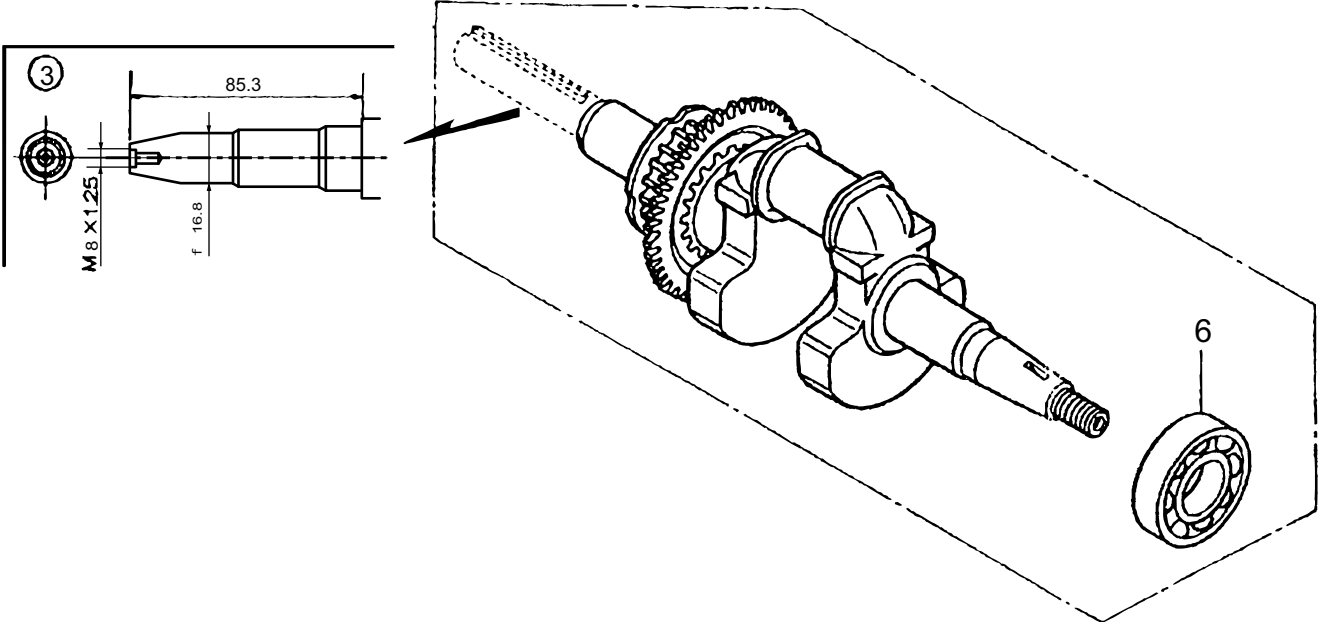
HONDA GX100RTKRB5 ENGINE — CRANKCASE COVER ASSY.



HONDA GX100RTKRB5 ENGINE — CRANKCASE COVER ASSY.

<u>NO.</u>	<u>PART NO.</u>	<u>PART NAME</u>	<u>QTY.</u>	<u>REMARKS</u>
1	11300Z0D409	COVER ASSY., CRANK CASE	1.....	INCLUDES ITEMS W/@
3	15600ZDF000	OIL FILLER CAP ASSY	1.....	INCLUDES ITEMS W/#
4#	15625Z0T800	PACKING, OIL FILLER CAP	1	
5@	16510ZL8000	GOVERNOR ASSY.	1	
9@	16531ZE1000	SLIDER, GOVERNOR	1	
10	16541Z0D000	SHAFT, GOVERNOR ARM	1	
11	90121952000	FLANGE BOLT 6X25	8	
12	90131ZE1000	BOLT, DRAIN PLUG	1	
13@	90451ZE1000	THRUST WASHER 6 MM	1	
14	90601ZE1000	WASHER, DRAIN PLUG	1	
15@	90602ZE1000	CLIP, GOVERNOR HOLDER	1	
16@	91202KJ9003	OIL SEAL 20X32X6	1	
17@	9410106800	WASHER, FLAT 6MM	2	
18	9425108000	LOCK PIN 8MM	1	
19	9430108200	KNOCK PIN 8X20	2	
21@	91001Z0DV01	BEARING, RADIAL BALL 6204	1	
24	91231891003	OIL SEAL 6X11X4	1	

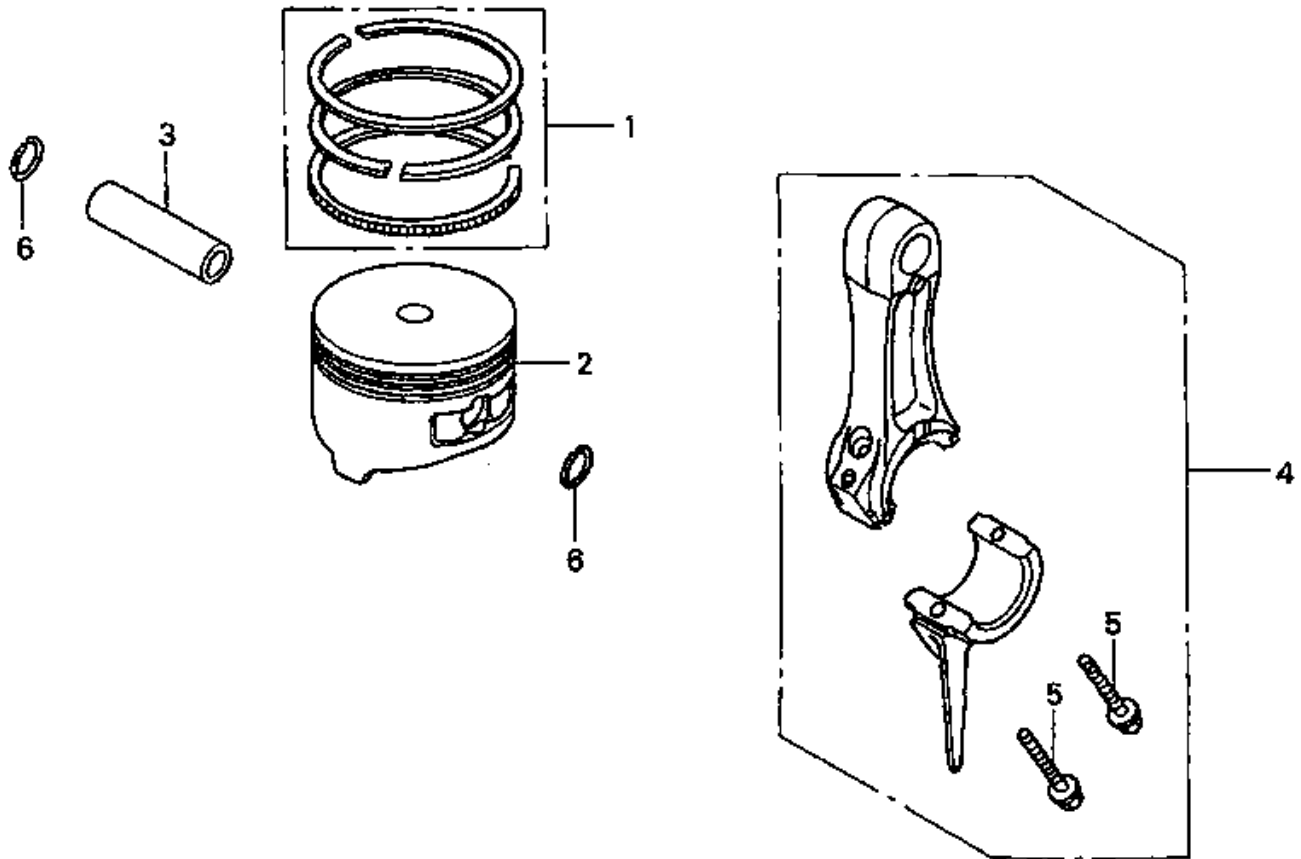
HONDA GX100RTKRB5 ENGINE — CRANKSHAFT ASSY.



HONDA GX100RTKRB5 ENGINE — CRANKSHAFT ASSY.

<u>NO.</u>	<u>PART NO.</u>	<u>PART NAME</u>	<u>QTY.</u>	<u>REMARKS</u>
3	13310Z0DV70	CRANK SHAFT COMP.....	1.....	INCLUDES ITEM W/@
6@	91001Z0DV01	BEARING, RADIAL BALL	1	

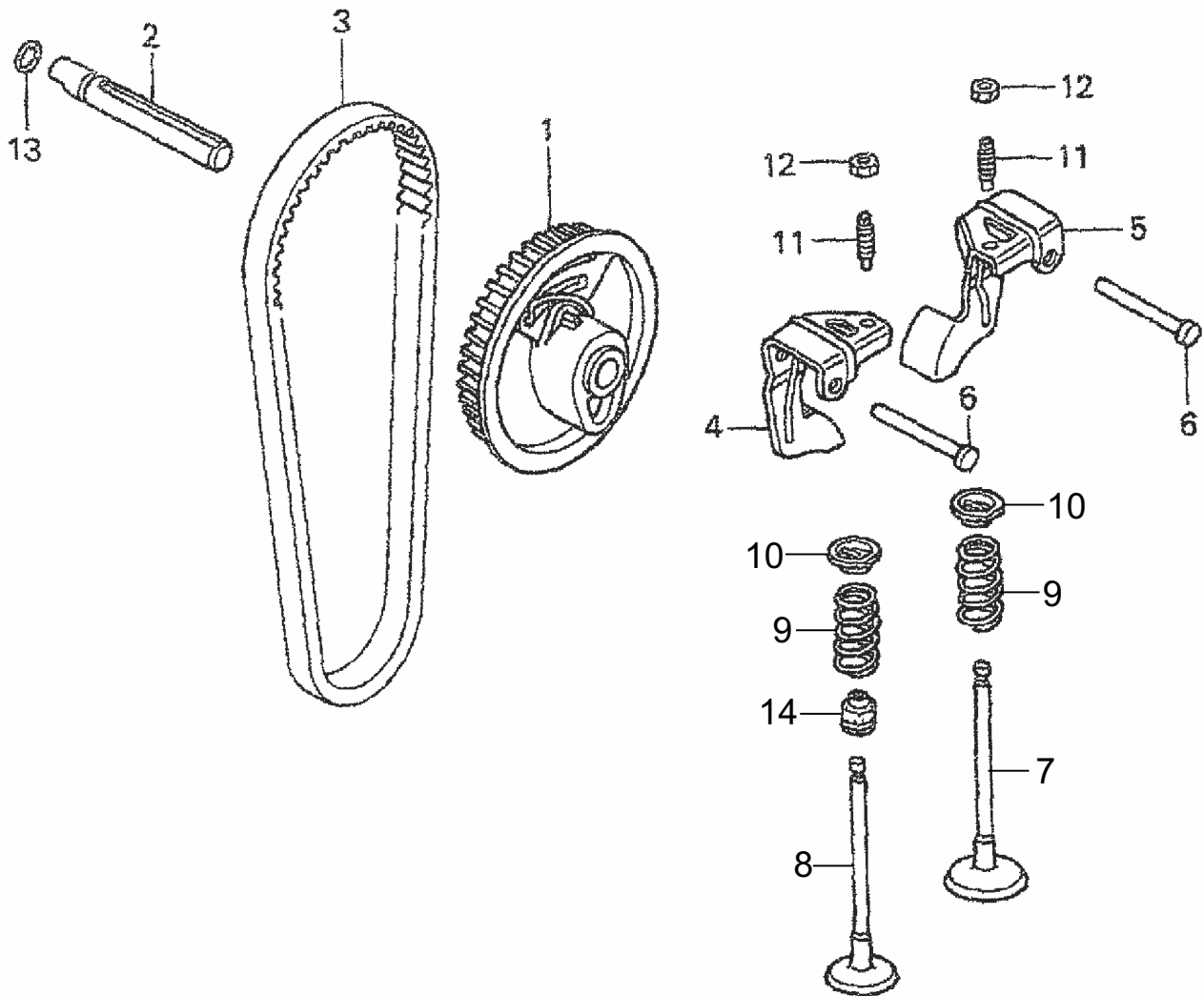
HONDA GX100RTKRB5 ENGINE — PISTON/CONN. ASSY.



HONDA GX100RTKRB5 ENGINE — PISTON/CONN. ASSY.

<u>NO.</u>	<u>PART NO.</u>	<u>PART NAME</u>	<u>QTY.</u>	<u>REMARKS</u>
1	13010Z0D003	RING SET, PISTON	1	
2	13101Z0D000	PISTON	1	
3	13111ZE0000	PISTON PIN	1	
4	13200Z0D000	CONNECTING ROD ASSY.....	1.....	INCLUDES ITEM W/@
5@	90001ZM7000	CONNECTING ROD BOLT	2	
6	90551ZE0000	CLIP, PISTON PIN 13MM	2	

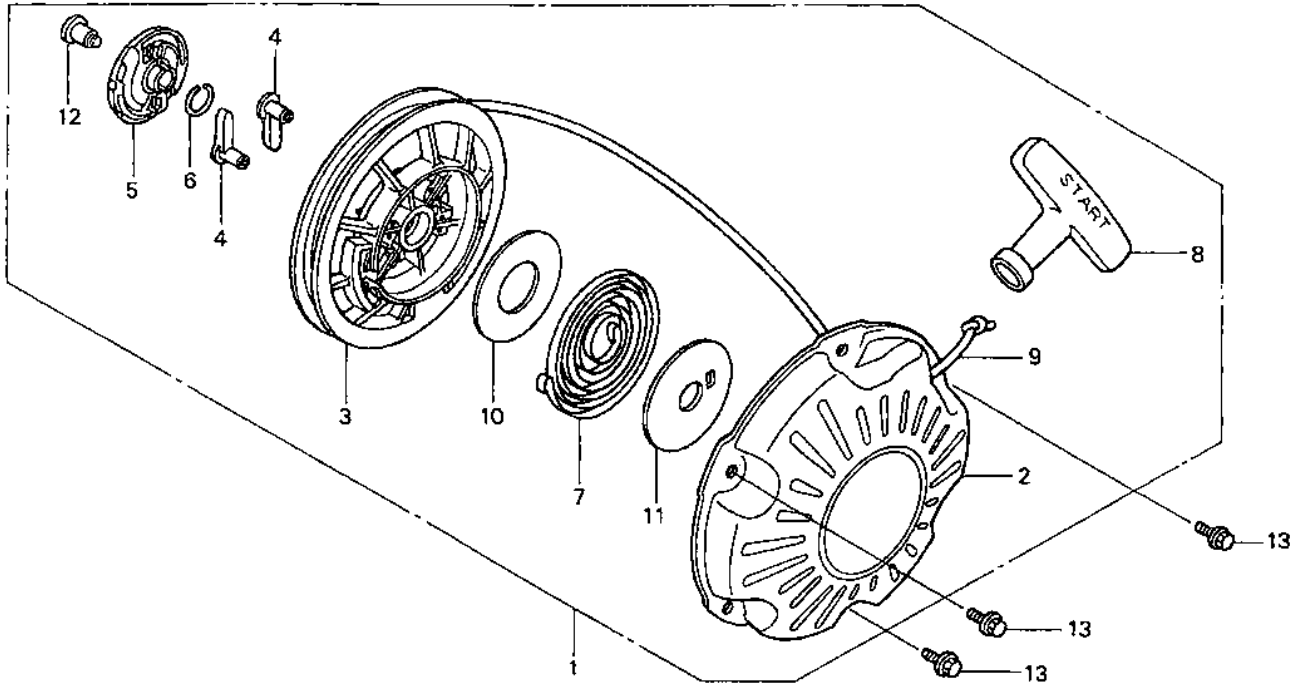
HONDA GX100RTKRB5 ENGINE — CAMSHAFT ASSY.



HONDA GX100RTKRB5 ENGINE — CAMSHAFT ASSY.

<u>NO.</u>	<u>PART NO.</u>	<u>PART NAME</u>	<u>QTY.</u>	<u>REMARKS</u>
1	14320ZDD000	PULLEY, COMP., CAMSHAFT	1	
2	14324Z0D000	SHAFT, CAM PULLEY	1	
3	14400Z0D003	TIMING BELT (61YU7 G-200)	1	
4	14431ZDD000	ROCKER ARM, INTAKE VALVE	1	
5	14441ZDD000	ROCKER ARM, EXHAUST VALVE	1	
6	14461ZL8000	SHAFT, ROCKER ARM	2	
7	14711Z0D000	INLET VALVE	1	
8	14721Z0D000	EXHAUST VALVE	1	
9	14751Z0D000	SPRING, VALVE	2	
10	14771ZM3010	RETAINER, VALVE SPRING	2	
11	90012333000	SCREW, TAPPET ADJUSTING	2	
12	90206001000	NUT, TAPPET ADJUSTING	2	
13	91301ZM0V31	O-RING 6.8X1.9	1	
14	12209KT7013	SEAL, VALVE STEM	1	

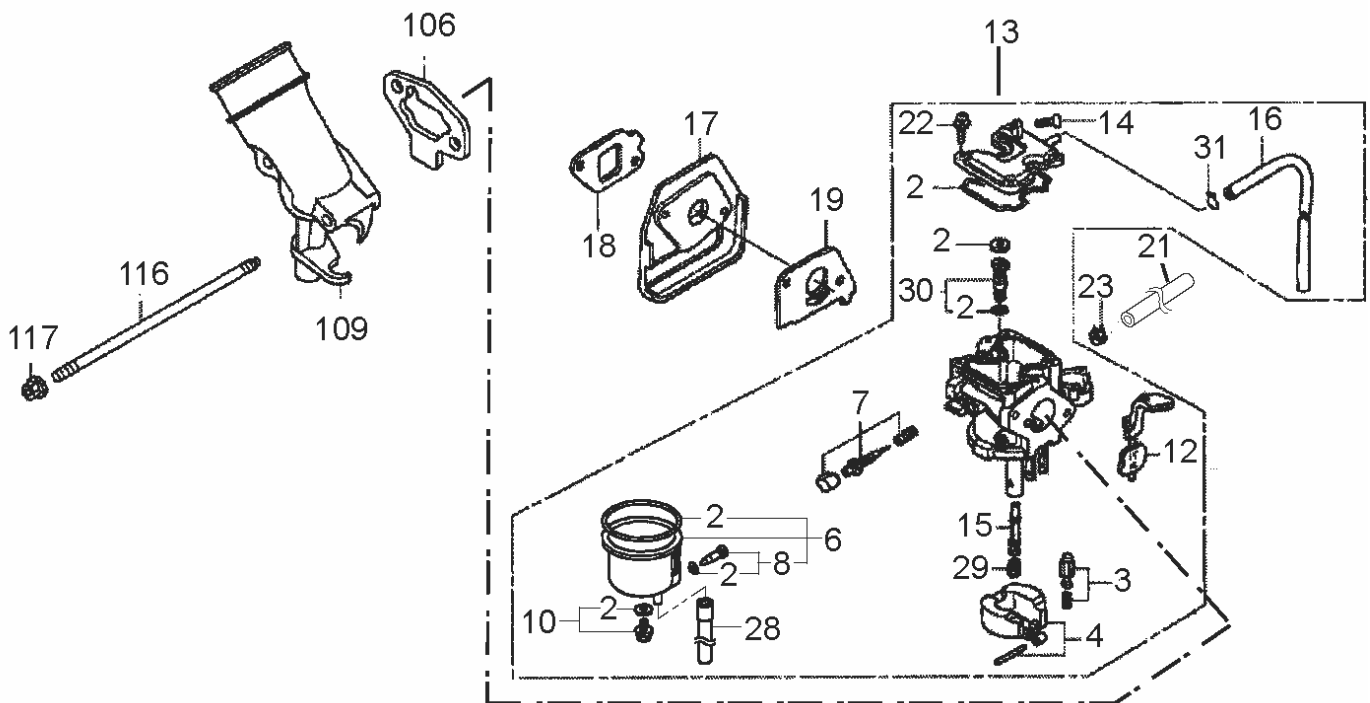
HONDA GX100RTKRB5 ENGINE — RECOIL STARTER ASSY.



HONDA GX100RTKRB5 ENGINE — RECOIL STARTER ASSY.

<u>NO.</u>	<u>PART NO.</u>	<u>PART NAME</u>	<u>QTY.</u>	<u>REMARKS</u>
1	28400Z0DV04ZA	RECOIL STARTER ASSY.	1.....	INCLUDES ITEMS W/@
2@	28410Z0DV02ZA	CASE COMP., RECOIL @5-3-5	1	
3@	28421Z0DV02	REEL, RECOIL STARTER	1	
4@	28422ZG0W02	RATCHET, STARTER	2	
5@	28433ZG0W02	GUIDE, RATCHET	1	
6@	28441ZW6003	SPRING, FRICTION	1	
7@	28442ZH8003	SPRING, RECOIL STARTER	1	
8@	28461ZH8013	STARTER KNOB	1	
9@	28462Z0DV03	ROPE, RECOIL STARTER	1	
10@	28467Z0DV02	PLATE, SIDE	1	
11@	28468Z0DV02	PLATE, SLIDE	1	
12@	90003ZH8003	SET SCREW	1	
13	957010600800	BOLT, FLANGE 6X8	3	

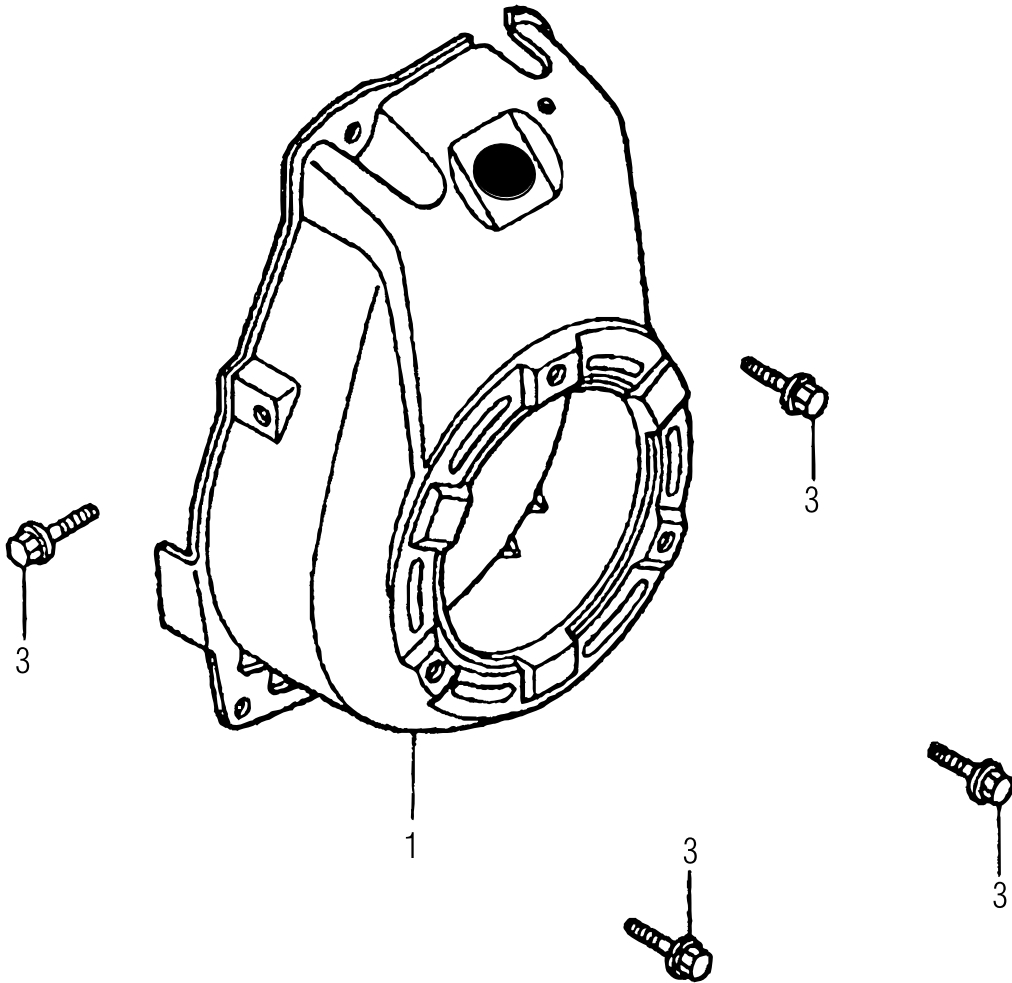
HONDA GX100RTKRB5 ENGINE — CARBURETOR ASSY.



HONDA GX100RTKRB5 ENGINE — CARBURETOR ASSY.

<u>NO.</u>	<u>PART NO.</u>	<u>PART NAME</u>	<u>QTY.</u>	<u>REMARKS</u>
2\$	16010Z4EW51	GASKET, SET	1	
3\$	16011ZE0005	FLOAT VALVE SET	1	
4\$	16013ZG0811	FLOAT SET	1	
6\$	16015Z4EW51	FLOAT CHAMBER SET	1	
7\$	16016Z0DV21	SCREW SET	1	
8\$	16024124760	SCREW SET, DRAIN	1	
10\$	16028ZC0005	SCREW SET	1	
12\$	16044Z0DS01	LEVER SET, CHOKE	1	
13	16100Z4E931	CARBURETOR ASSY.....	1	INCLUDES ITEMS W/\$
14\$	16124ZE0005	SCREW, THROTTLE STOP	1	
15\$	16166Z0D003	MAIN NOZZLE	1	
16\$	16199Z0DV21	TUBE, VENT	1	
17	16211Z0D010	INSULATOR, CARBURETOR	1	
18	16212Z0DV20	PACKING, INSULATOR	1	
19	16221ZG0801	PACKING, CARBURETOR	1	
21	91434Z4EW52	HOSE, FUEL 4.5X350	1	
22\$	938920401208	SCREW-WASHER, 4X12	4	
23	950024085008	CLAMP, TUBE	1	
28\$	950030501931	TUBE, VINYL 3.5X6.5X190	1	
29\$	99101ZG00520	JET, MAIN #52	1	
29\$	99101ZG00550	JET, MAIN #55	1	
29\$	99101ZG00580	JET, MAIN #58	1	
30\$	99204ZE00350	PILOT, JET SET #35	1	
31\$	9500202089	CLIP, TUBE (B8)	1	
106	17228Z0DV21	PACKING, AIR CLEANER	1	
109	17410Z0DS00	ELBOW, AIR CLEANER	1	
116	90042Z4ES30	BOLT, STUD 5X95	2	
117	9405005000	FLANGE NUT 5MM	2	

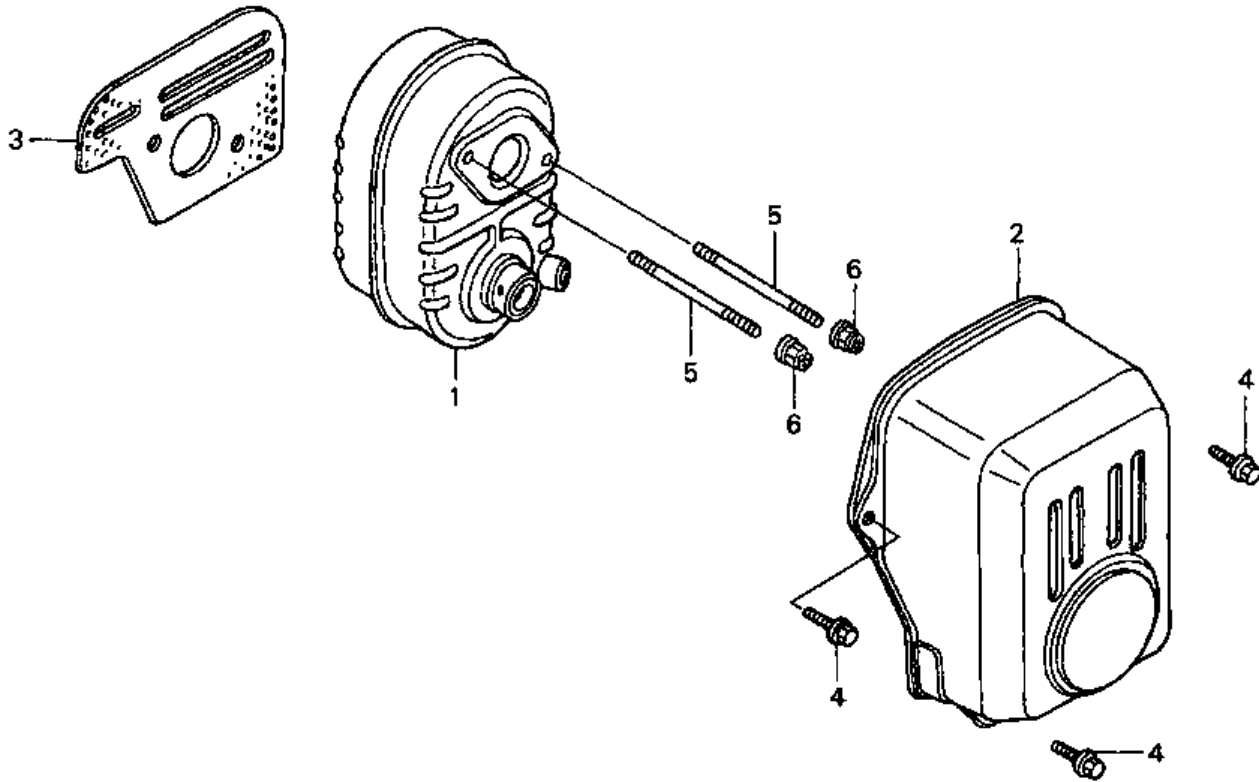
HONDA GX100RTKRB5 ENGINE — FAN COVER ASSY.



HONDA GX100RTKRB5 ENGINE — FAN COVER ASSY.

<u>NO.</u>	<u>PART NO.</u>	<u>PART NAME</u>	<u>QTY.</u>	<u>REMARKS</u>
1	19610Z4ES30ZA	FAN COVER CP	1	
3	90014952000	BOLT, FLANGE 6X14 (CT200)	4	

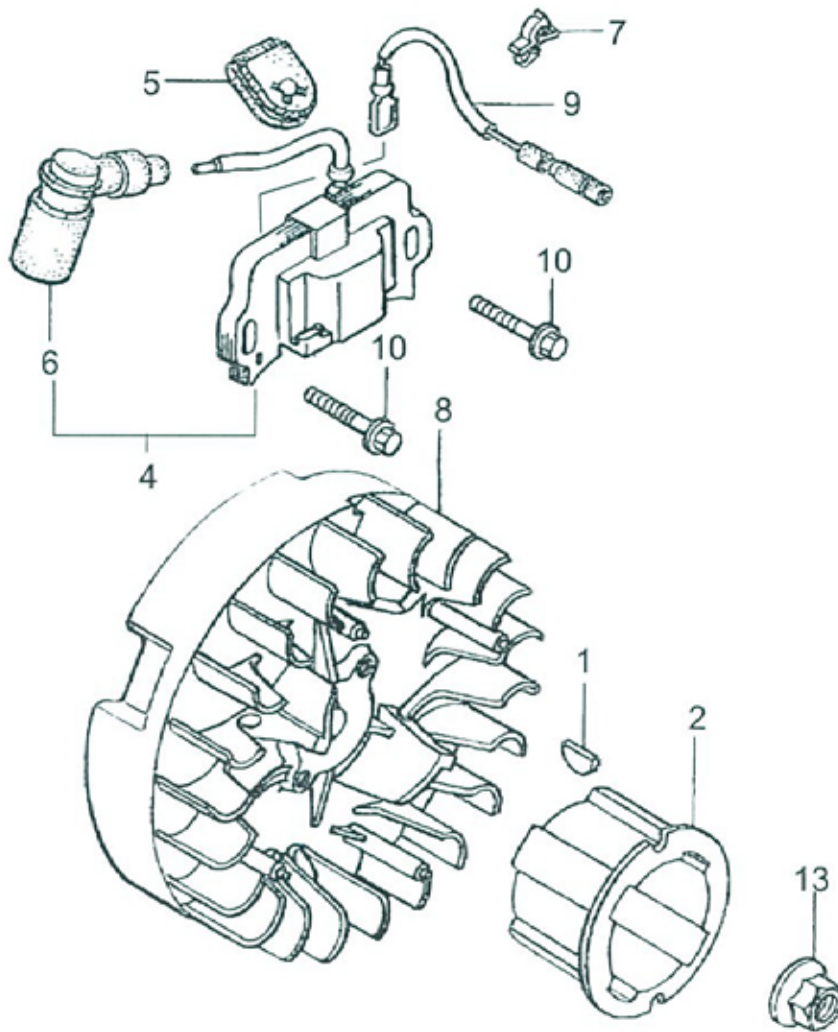
HONDA GX100RTKRB5 ENGINE — MUFFLER ASSY.



HONDA GX100RTKRB5 ENGINE — MUFFLER ASSY.

<u>NO.</u>	<u>PART NO.</u>	<u>PART NAME</u>	<u>QTY.</u>	<u>REMARKS</u>
1	18310Z0DV20	MUFFLER COMP.	1	
2	18321Z0DV22	MUFFLER PROTECTOR	1	
3	18381Z0D000	GASKET, MUFFLER	1	
4	90014952000	BOLT, FLANGE 6X14 (CT200)	3	
5	90048Z0DV00	STUD BOLT 6X78	2	
6	90343ZE6000	NUT, SELF-LOCK 6MM	2	

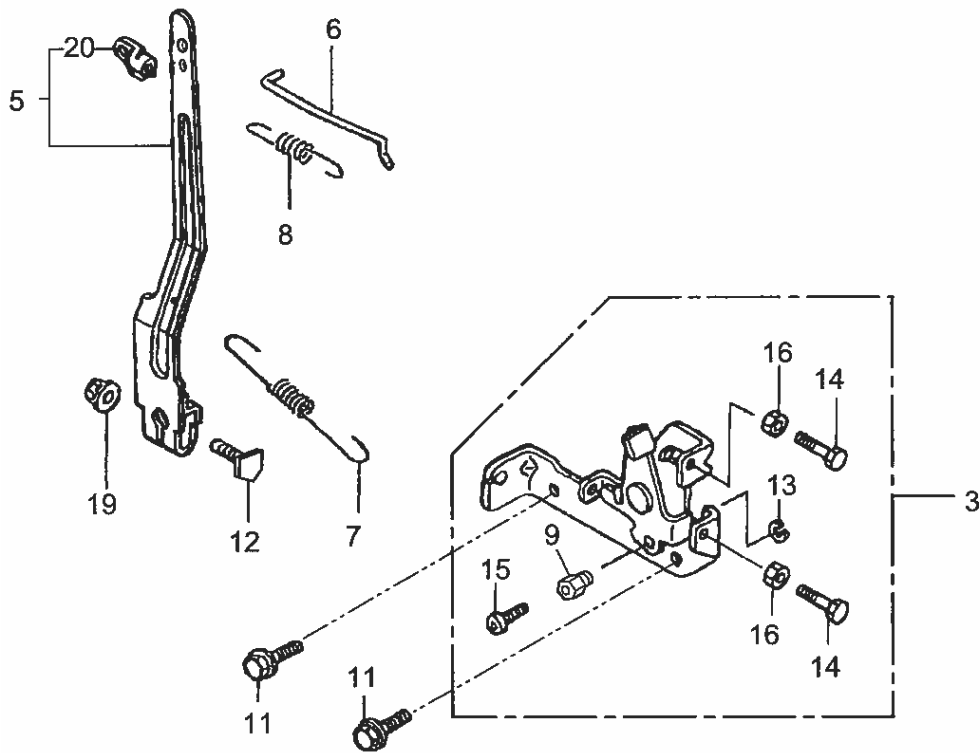
HONDA GX100RTKRB5 ENGINE — FLYWHEEL IGNITION ASSY.



HONDA GX100RTKRB5 ENGINE — FLYWHEEL IGNITION ASSY.

<u>NO.</u>	<u>PART NO.</u>	<u>PART NAME</u>	<u>QTY.</u>	<u>REMARKS</u>
1	13331ZM7000	WOODRUFF KEY 25X18	1	
2	28451Z0DV03	STARTER PULLEY	1	
4	30500Z0DV02	IGNITION COIL ASSY	1.....	INCLUDES ITEMS W/@
5	30564ZA5000	GROMMET, CORD	1	
6@	30700Z0DV01	TERMINAL ASSY	1	
7	30701883000	CLIP, HIGH TENSION CORD	1	
8	31110Z0D003	FLYWHEEL COMP.	1	
9	32195Z0D000	CORD, STOP SWITCH	1	
10	90022888010	FLANGE BOLT 6X20	2	
13	9405012000	FLANGE NUT M12	1	

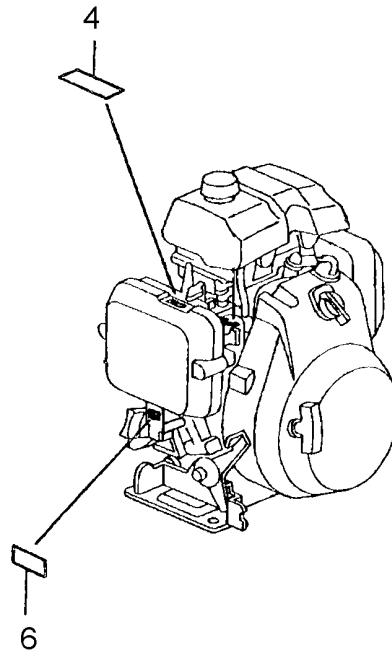
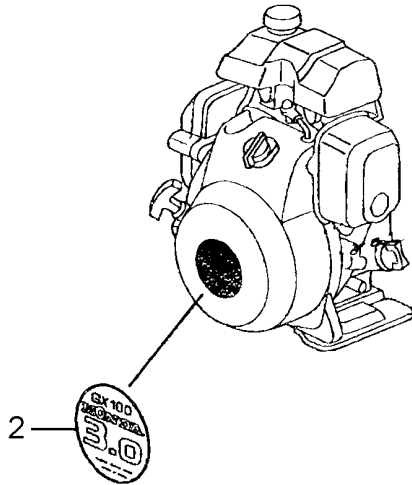
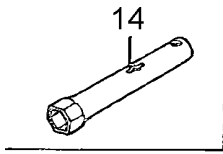
HONDA GX100RTKRB5 ENGINE — CONTROL ASSY.



HONDA GX100RTKRB5 ENGINE — CONTROL ASSY.

<u>NO.</u>	<u>PART NO.</u>	<u>PART NAME</u>	<u>QTY.</u>	<u>REMARKS</u>
3	16500Z4ES30	CONTROL ASSY.....	1.....	INCLUDES ITEMS W/@
5	16550Z0DV21	GOVERNOR ARM, COMPLETE	1.....	INCLUDES ITEMS W/\$
6	16555Z0DV20	GOVERNOR ROD	1	
7	16561Z0DV20	GOVERNOR SPRING	1	
8	16562Z0DV20	SPRING, THROTTLE RETURN	1	
9@	16594883010	HOLDER, WIRE	1	
11	90014952000	BOLT, FLANGE 6X14 (CT200)	2	
12	90015Z5T000	BOLT, GOVERNOR ARM	1	
13@	90605230000	CIR CLIP	1	
14@	92301050200A	BOLT 5X20	2	
15@	93500040060H	SCREW 4X6	1	
16@	9400105000	NUT M5	2	
19	9405006000	FLANGE NUT 6MM	1	
20\$	16263883W10	JOINT, ROD	1	

HONDA GX100RTKRB5 ENGINE — LABELS ASSY.



HONDA GX100RTKRB5 ENGINE — LABELS ASSY.

<u>NO.</u>	<u>PART NO.</u>	<u>PART NAME</u>	<u>QTY.</u>	<u>REMARKS</u>
2	87521ZDDP10	LABEL, TRADE MARK	1	
4	87528Z0D000	MARK, CHOKE	1	
6	87601Z4EW50	MARK, TYPE (KRB5)	1	
14	89216045670	WRENCH, SPARK PLUG	1	