

PARTS MANUAL



Mikasa **SERIES**
MODEL MTR-35HS
TAMPING RAMMER
(ROBIN GASOLINE ENGINE)

Revision #6 (10/23/20)

THIS MANUAL MUST ACCOMPANY THE EQUIPMENT AT ALL TIMES.

MTR-35HS

Table Of Contents	2
Explanation Of Codes In Remarks Column	4
Suggested Spare Parts	5
Name Plate and Decals	6-7
Crankcase and Engine Assembly	8-9
Guide Cylinder and Foot Assembly	10-11
Tank and Handle Assembly	12-13
Narrow Foot and Trench Shoe Assembly	14-15

ROBIN EC-08HS ENGINE

Crankcase and Cylinder Assembly	16-17
Crankshaft and Piston Assembly	18-19
Governor Assembly	20-21
Muffler Assembly	22-23
Carburetor and Oil Pump Assembly	24-25
Recoil Starter & Blower Housing Assembly ..	26-27
Air Cleaner Assembly	28-29
Carburetor Components Assembly	30-31
Recoil Starter Components Assembly	32-33
Magneto Assembly	34-35

NOTE

*Specification and part number
are subject to change without
notice.*

EXPLANATION OF CODE IN REMARKS COLUMN

How to read the marks and remarks used in this parts book.

Items Found In the “Remarks” Column

Serial Numbers-Where indicated, this indicates a serial number range (inclusive) where a particular part is used.

Model Number-Where indicated, this shows that the corresponding part is utilized only with this specific model number or model number variant.

Items Found In the “Items Number” Column

All parts with same symbol in the number column, *, #, +, %, or ■, belong to the same assembly or kit

NOTE

If more than one of the same reference number is listed, the last one listed indicates newest (or latest) part available.

NOTE

The contents of this catalog are subject to change without notice.

MTR-35HS — SUGGESTED SPARE PARTS

MTR-35HS RAMMER 1 TO 3 UNITS

Qty.	P/N	Description
1	956225020	LEVER, THROTTLE
3	354030030	ELEMENT, YELLOW
3	354030040	ELEMENT, GRAY
1	361910020	CAP, FUEL TANK
1	954406000	COCK, FUEL
1	954404890	STRAINER, FUEL TOP/BOTTOM
2	301419750	FILTER, IN-LINE FUEL
3	1573620101	ELEMENT, SET ENGINE
3	0650140031	SPARK PLUG
1	0660000361	SWITCH, STOP (ABOVE C-4154-4178)
1	301010900	THROTTLE, WIRE
1	402010110	SPRING, THROTTLE RETURN

MTR-35HS RAMMER 3 TO 5 UNITS

1	956225020	LEVER, THROTTLE
1	301010900	THROTTLE WIRE
1	402010110	SPRING, THROTTLE RETURN
4	354030030	ELEMENT, YELLOW
4	354030040	ELEMENT, GRAY
1	361910020	CAP, FUEL TANK
1	954406000	COCK, FUEL
2	954404890	STRAINER, FUEL TOP/BOTTOM
4	301419750	FILTER, IN-LINE FUEL
4	1573620101	ELEMENT SET ENGINE
6	0650140031	SPARK PLUG
1	KITCARBEC08H ...	CARBURETOR KIT
2	0660000361	SWITCH, STOP (ABOVE C-4154-4178)

MTR-35HS RAMMER 5 TO 10 UNITS

2	956225020	LEVER, THROTTLE
2	301010900	THROTTLE WIRE
2	402010110	SPRING, THROTTLE RETURN
6	354030030	ELEMENT, YELLOW
6	354030040	ELEMENT, GRAY
2	361910020	CAP, FUEL TANK
2	954406000	COCK, FUEL
4	954404890	STRAINER, FUEL TOP/BOTTOM
6	301419750	FILTER, IN-LINE FUEL
3	1573620101	ELEMENT SET ENGINE
10	0650140031	SPARK PLUG
3	0660000361	SWITCH, STOP (ABOVE C-4154 & C-4207)
3	1293500403	GASKET, COMPLETE EXHAUST
3	2263272008	GASKET, AIR CLEANER
4	1063500103	GASKET, INSULATOR, CARBURETOR
3	KITCARBEC08H ...	CARBURETOR KIT
1	5806111000	CARBURETOR ASSEMBLY
2	050100800	O-RING, UPPER GUIDE CYLINDER

MTR-35HS RAMMER 10+ UNITS

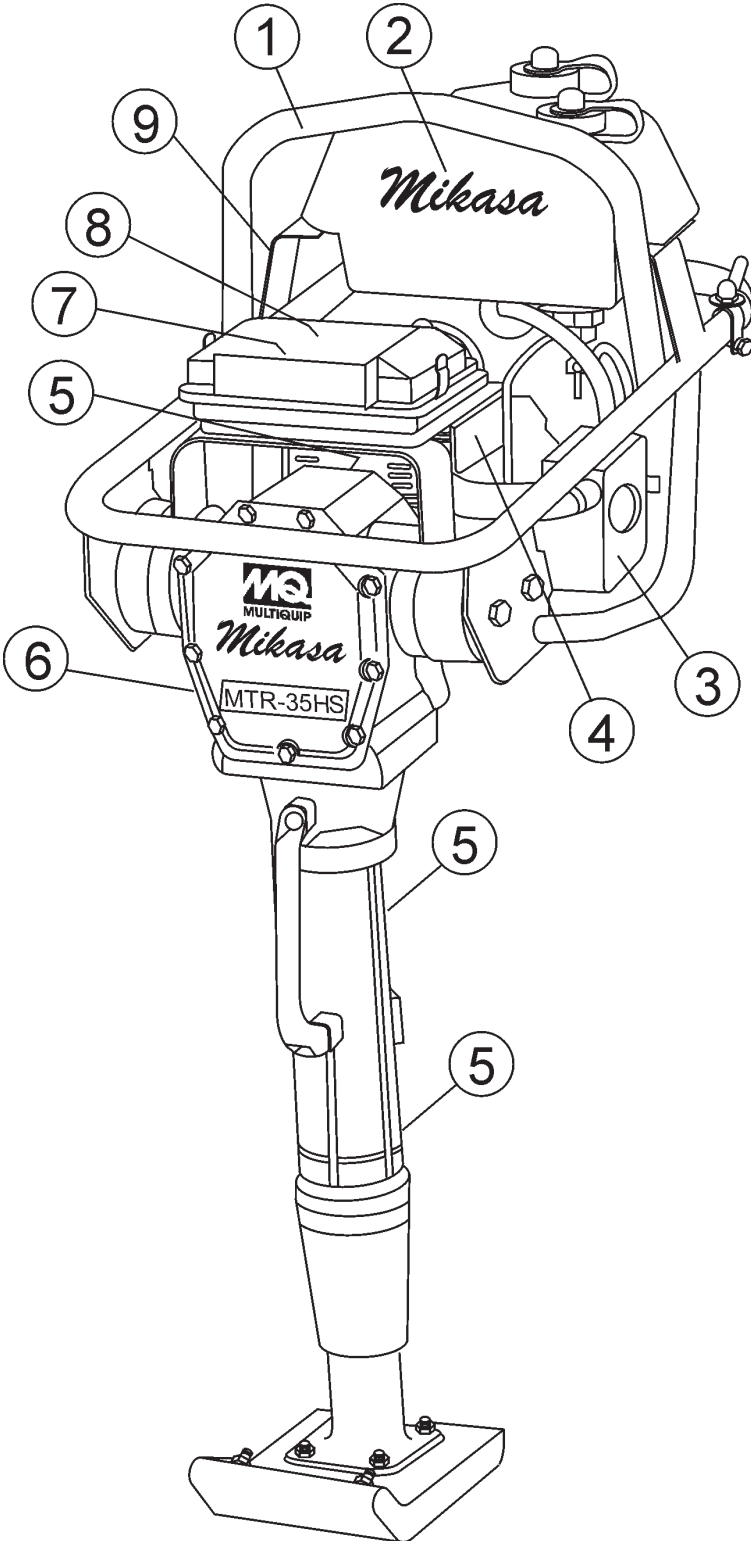
6	956225020	LEVER, THROTTLE
6	301010900	THROTTLE WIRE
6	402010110	SPRING, THROTTLE RETURN
16	354030030	ELEMENT, YELLOW
16	354030040	ELEMENT, GRAY
10	361910020	CLAMP, BELLOWS
4	954406000	COCK, FUEL
6	954404890	STRAINER, FUEL TOP/BOTTOM
12	301419750	FILTER, IN-LINE FUEL
16	1573620101	ELEMENT SET ENGINE
16	0650140031	SPARK PLUG
4	0660000361	SWITCH, STOP (ABOVE C-4154-4178)
3	1293500403	GASKET, COMPLETE EXHAUST
3	2263272008	GASKET, AIR CLEANER
4	1063500103	GASKET, INSULATOR, CARBURETOR
1	301421363	CLUTCH ASSY
1	1063273110	AIR CLEANER ASSEMBLY
5	KITCARBEC08H ...	CARBURETOR KIT
1	5806111000	CARBURETOR ASSEMBLY
1	5805001000	RECOIL STARTER ASSEMBLY
4	050100800	O-RING, UPPER GUIDE CYLINDER

NOTE

Part number on this Suggested Spare Parts List may super cede/ replace the P/N shown in the text pages of this book.

MTR-35HS — NAMEPLATE AND DECALS

NAMEPLATE AND DECALS



MTR-35HS — NAMEPLATE AND DECALS

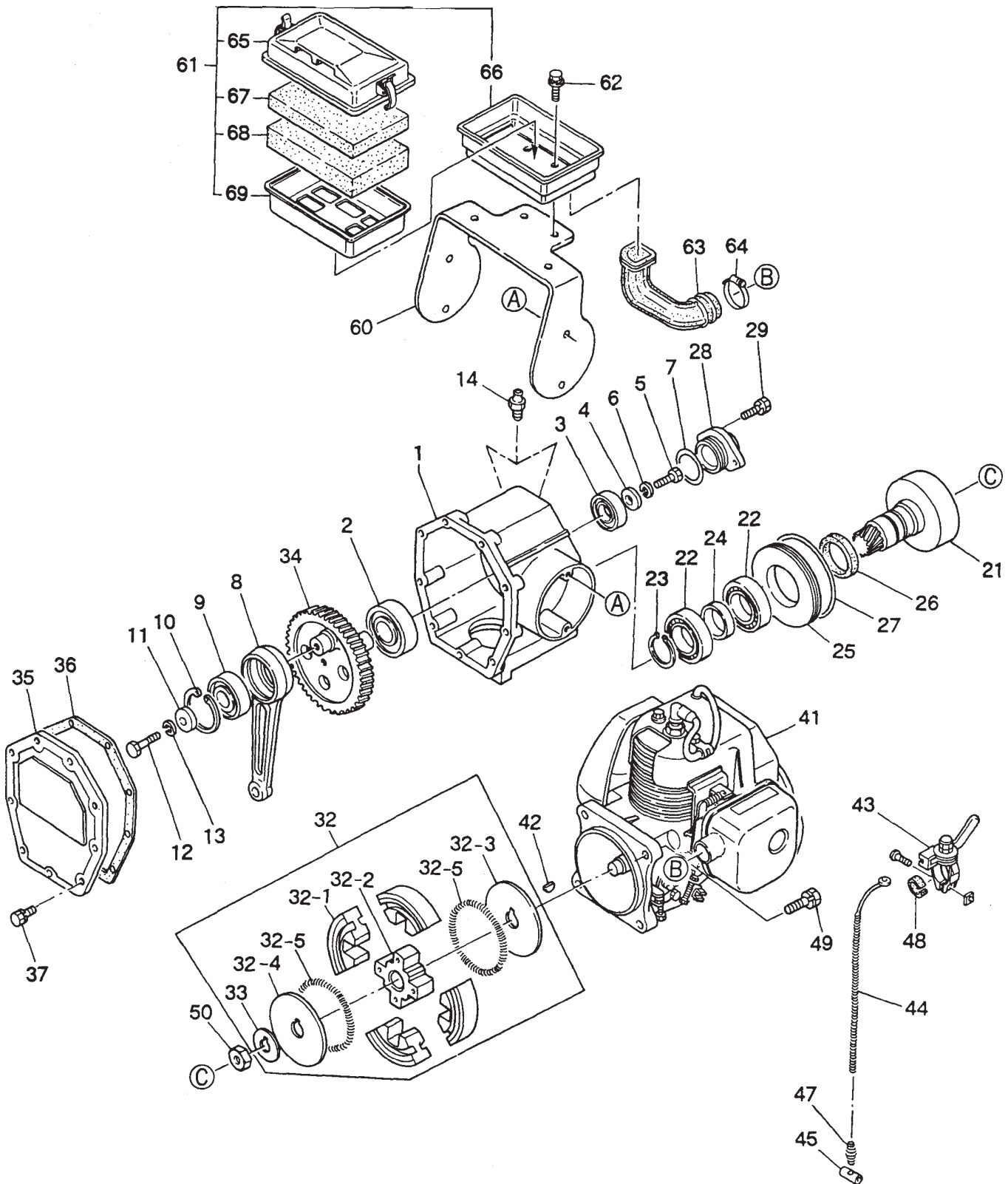
NAMEPLATE AND DECALS

<u>NO</u>	<u>PART NO</u>	<u>PART NAME</u>	<u>QTY.</u>	<u>REMARKS</u>
1*	920205990	DECAL, CAUTION (WATER)	1	
2*	920106460	DECAL, MIKASA MARK (ORANGE)	1	
3*	920203980	DECAL, ELEMENT SET	1 REPLACES 920106450
4*	920107660	DECAL, ENGINE RPM	1	
5*	920101200	DECAL, GREASE	3	
6		PLATE, SERIAL NO.	1 CONTACT MQ SERVICE DEPT. W/MODEL & S/N
7*	920107000	DECAL, PRE-CLEANER	1	
8*	920205810	DECAL, CAUTION/OIL INJECT	1	
9*	920203330	DECAL, EAR PROTECTION	1	
10	DCLMTR-35HS	KIT, DECAL	1 INCLUDES ITEMS W/*

FOR DECAL ILLUSTRATIONS SEE PAGE 8.

MTR-35HS — CRANKCASE AND ENGINE ASSY.

CRANKCASE AND ENGINE ASSY.



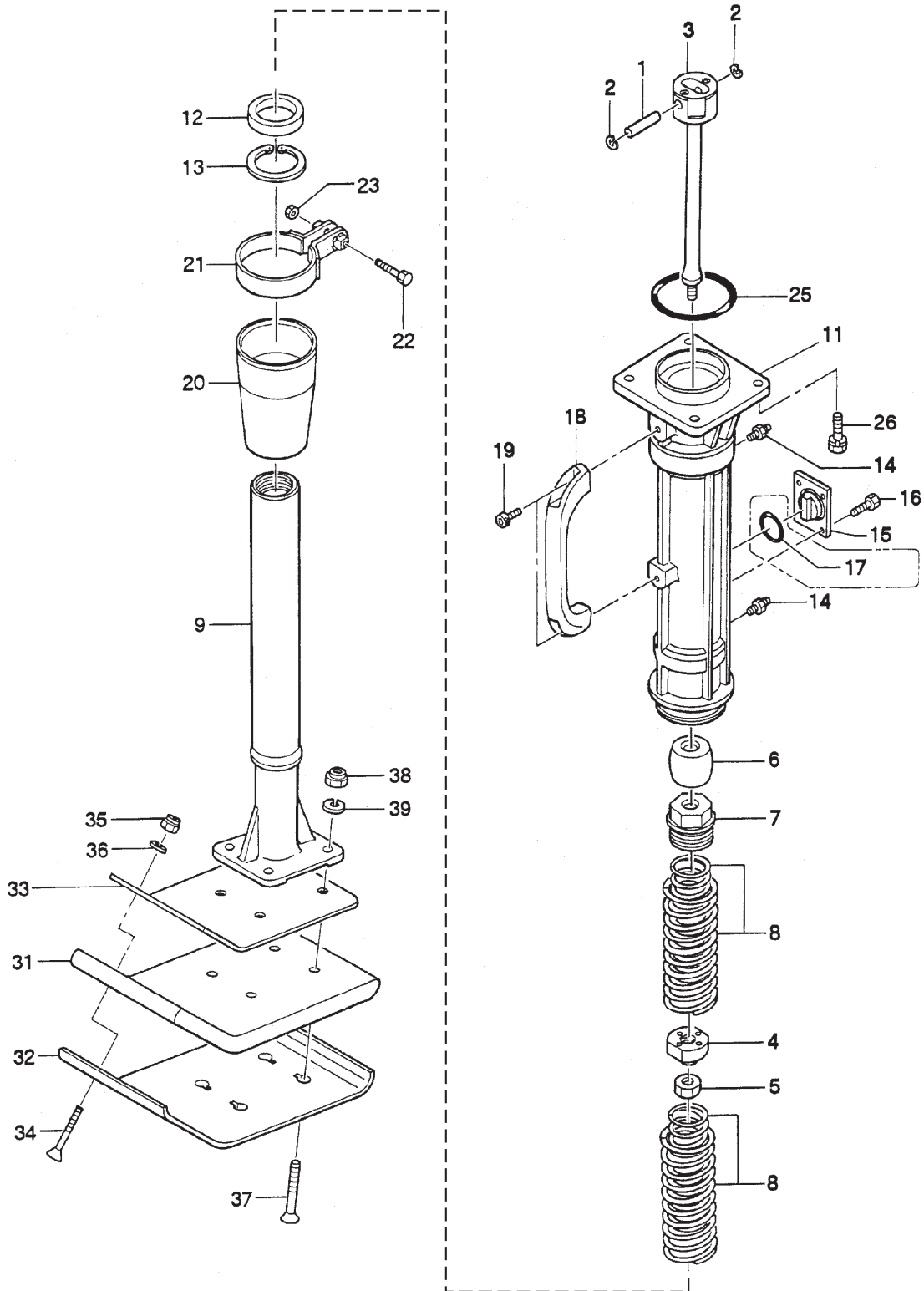
MTR-35HS — CRANKCASE AND ENGINE ASSY.

CRANKCASE & ENGINE ASSY.

<u>NO</u>	<u>PART NO</u>	<u>PART NAME</u>	<u>QTY.</u>	<u>REMARKS</u>
1	305112711	CRANKCASE	1	REPLACES 305112710
2	041006305	BEARING 6305Z	1	
3	041006203	BEARING 6203Z	1	
4	952401450	WASHER 8.25X22X3	1	
5	011208025	BOLT 8X25 T	1	REPLACES 001220825
6	030208200	SW M8	1	
7	050100350	O-RING G-35	1	
8	305333090	CONNECTING ROD	1	
9	042006304	BEARING 6304ZZ	1	
10	080100520	STOP RING R-52	1	
11	952400130	WASHER 9304	1	
12	011208025	BOLT 8X25 T	1	REPLACES 001220825
13	030208200	SW M8	1	
14	351010050	GREASE FITTING A-MT6X1	2	
21	303010084	PINION	1	
22	042006007	BEARING 6007ZZ	2	
23	080200350	STOP RING S-35	1	
24	351437750	SPACER 35.4-42.7-11	1	
25	351421900	SPACER, CLUTCH DRUM	1	
26	060504010	OIL SEAL VB-40525	1	
27	050300900	O-RING S-90	1	
28	351434563	BEARING COVER	1	
29	002210620	BOLT 6X20 H,SW	2	REPLACES 002210620
32	301421365	CLUTCH ASSY. C812E	1	INCLS. ITEMS W/* REPLACES 301421363
32-1*	943020020	CLUTCH SHOE C812	4	
32-2*	943050050	CLUTCH BOSS C812	1	
32-3*	943060010	CLUTCH GUIDE/A 1T	1	
32-4*	943060020	CLUTCH GUIDE/B	1	
32-5*	943030020	CLUTCH SPRING C812	2	
33	301010210	LOCK WASHER, CLUTCH	1	
34	305333100	CRANK GEAR	1	
35	305214430	FRONT COVER (MQ)	1	
36	351319880	PACKING, FRONT COVER	1	
37	002210620	BOLT 6X20 H,SW	9	REPLACES 002210620
41	911100842	ENGINE ASSY ECO85HS(EPA)	1	
42	0053204201	WOODRUFF KEY	1	
43	956225020	THROTTLE LEVER ASSY. 25D	1	
44	301010900	THROTTLE WIRE S335-445	1	
45	959401750	WIRE STOPPER ASSY	1	
47	402010110	COIL SPRING	1	REPLACES 0830000010
48	959403750	RUBBER,SLIP STOP	1	
49	011708030	BOLT 8ZX30 H,SW	4	REPLACES 002210830
50	0173120010	LOCK NUT	1	
60	353332810	CLEANER STAY	1	
61	354211841	AIR CLEANER ASSY	1	INCLUDES ITEMS W/#
62	002210815	BOLT 8X15 H,SW	4	
63	354330590	INTAKE PIPE	1	
64	507010110	CLAMP TC-200	1	
65#	354030011	BODY, W-CLEANER	1	
66#	354030020	BACK PLATE	1	
67#	354030030	ELEMENT, YELLOW	1	
68#	354030040	ELEMENT, GRAY	1	
69#	354030050	ELEMENT, FRAME	1	

MTR-35HS — GUIDE CYLINDER AND FOOT ASSY.

GUIDE CYLINDER AND FOOT ASSY.



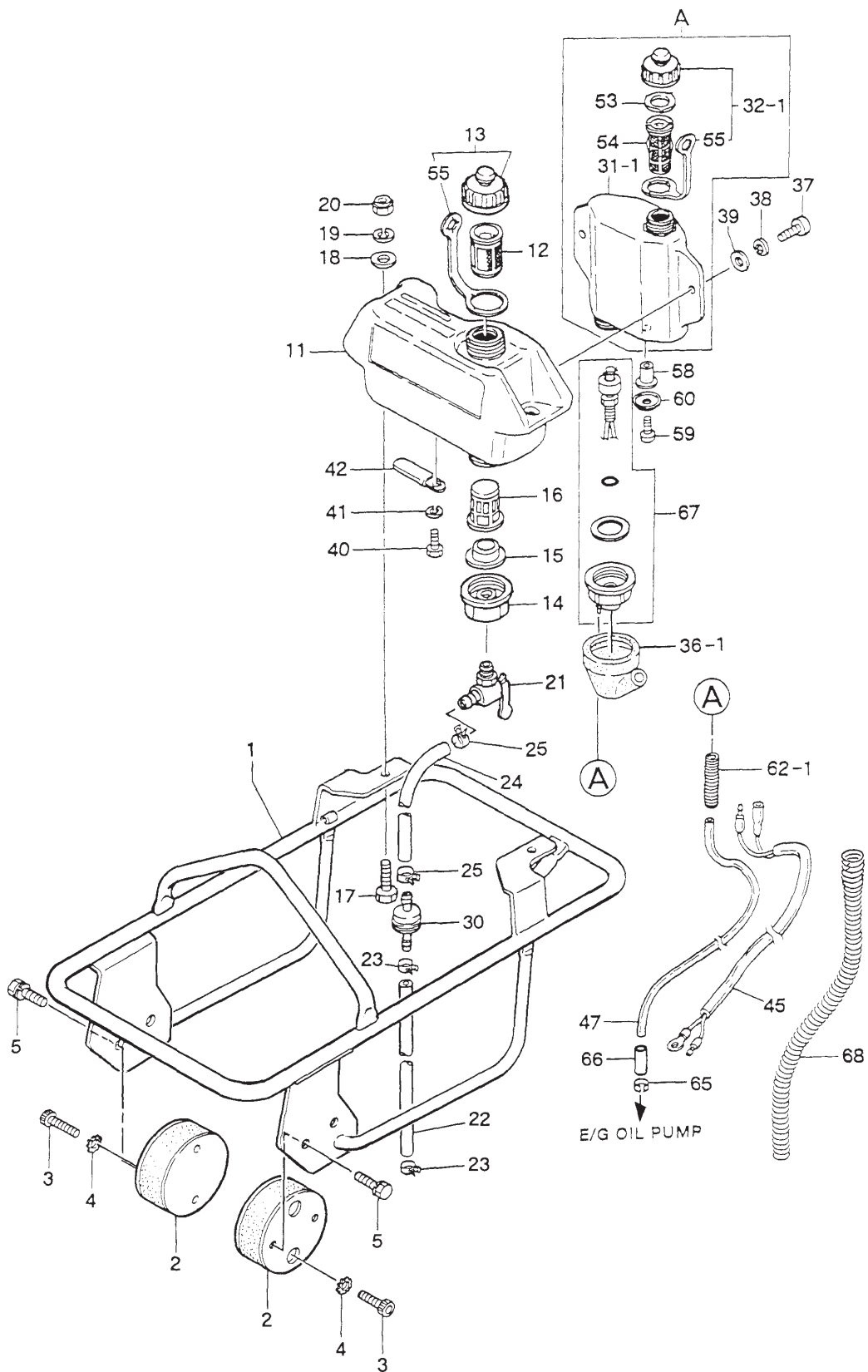
MTR-35HS — GUIDE CYLINDER AND FOOT ASSY.

GUIDE CYLINDER & FOOT ASSY.

<u>NO</u>	<u>PART NO</u>	<u>PART NAME</u>	<u>QTY.</u>	<u>REMARKS</u>
A	305910010	FOOT ASSY. 150B	1	INCL'S TEMS W/* 6" (WIDTH) X 11" (LENGTH)
1	305446380	PISTON PIN	1	
2	080100120	STOP RING R-12	2	
3	305333110	PISTON ROD (M12)	1	
3	305337980	PISTON ROD (M14)	1	
4	305446390	PISTON END (M12)	1	
4	305451550	PISTON END (M14)	1	
5	022910140	NUT M12-P1.5 (B=17)	1	
6	305446400	STOPPER, UPPER	1	
7	305446410	CYLINDER CAP	1	
8	305446420	MAIN SPRING	2	
9	305212710	SPRING CYLINDER	1	
11	305112730	GUIDE CYLINDER	1	
12	065105010	DUST SEAL DKI-5367811	1	
13	080510680	STOP RING TH-R-68	1	
14	351010050	GREASE FITTING A-MT6X1	2	
15	305446430	STOPPER	1	
16	002210815	BOLT 8X15 H,SW	4	
17	050300320	O-RING S-32	1	
18	305446440	GRIP	1	
19	096208010	SOCKET HEAD BOLT 8X15 T	2	REPLACES 001520815
20	305446450	DUST SLEEVE	1	
21	305446460	SLEEVE BAND	1	
22	001200830	BOLT 8X30	1	
23	020308060	NUT M8	1	
25	050100800	O-RING G-80	1	
26	002211025	BOLT 10X25 H,SW	4	
31*	305910010	FOOT 150B	1	REPLACES 305333120
32*	305333130	METAL SHEET 150B	1	
33*	305446470	FOOT COVER	1	
34*	001611050	SUNK HEAD BOLT 10X50 H	2	
35*	022711012	NYLON NUT M10	2	
36*	030210250	SW M10	2	
37	015112060	SUB K HEAD BOLT 12X60 H	4	REPLACES 001611252
38	021112140	NYLON NUT M12	4	REPLACES 022711214
39	030212300	SW M12	4	

MTR-35HS — TANK AND HANDLE ASSY.

TANK & HANDLE ASSY.



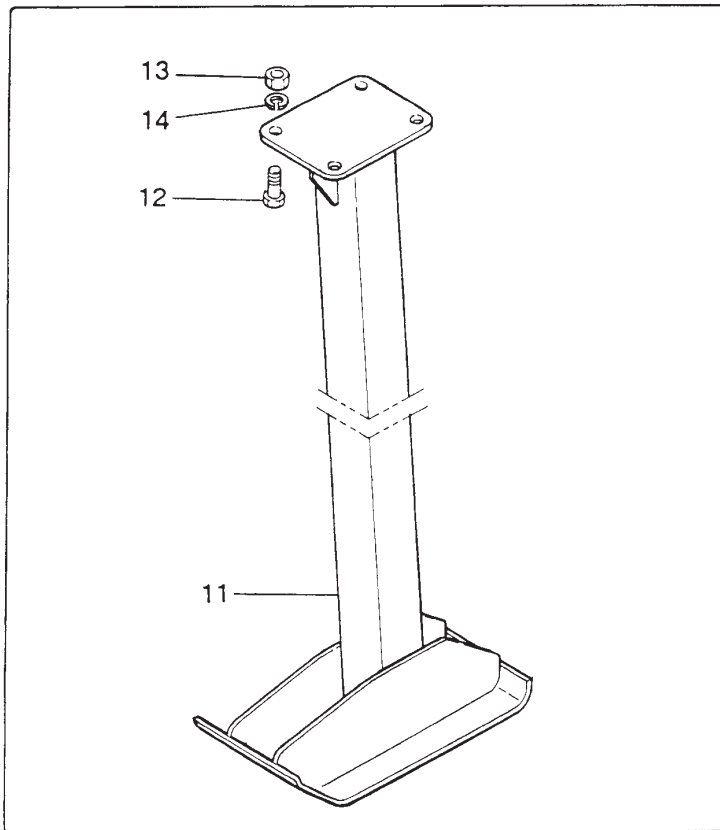
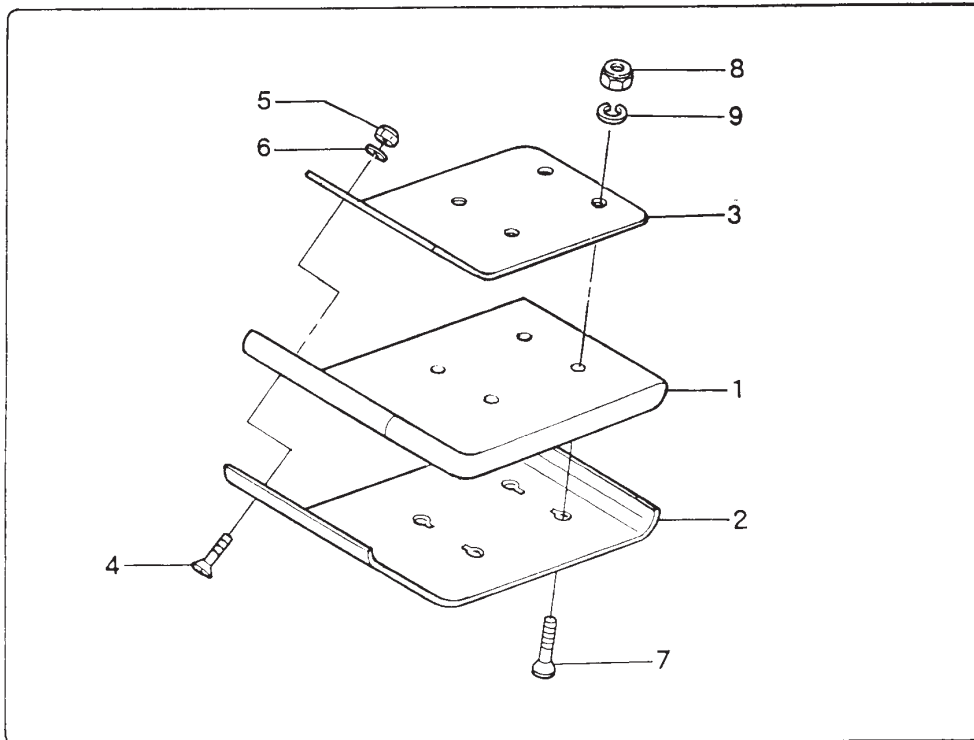
MTR-35HS — TANK AND HANDLE ASSY.

TANK & HANDLE ASSY.

<u>NO</u>	<u>PART NO</u>	<u>PART NAME</u>	<u>QTY.</u>	<u>REMARKS</u>
A	353213710CPL	OIL TANK ASSY. W/CAP	1	REPLACES 353910030
1	305115250	HANDLE	1	
2	351319900	SHOCK ABSORBER	2	
3	001521020	SOCKET HEAD BOLT 10X20T	4	
4	033121009	TOOTHED LOCK WASHER B M10	4	
5	002211020	BOLT 10X20 H,SW	4	
11	355113610	FUEL TANK	1	
12	954404890	FILTER, TANK /MR	1	
13	361910020	TANK CAP ASSY, ORANGE	1	
14	351437785	HOLDER, COCK	1	
15	954406020	PACKING, FUEL TANK	1	
16	954406010	STRAINER (110)	1	
17	001220830	BOLT 8X30 T	2	
18	952401450	WASHER 8.5X22X3	2	
19	030208200	SW M8	2	
20	022710809	NYLON NUT M8	2	
21	954406000	FUEL COCK ASSY. N18L-02	1	
22	351435160	FUEL HOSE B-95	1	
23	954404590	HOSE BAND 9.5D	2	
24	351436350	FUEL HOSE 150	1	
25	954403030	HOSE BAND (8)	2	
30	301419750	FUEL FILTER CP, NQ75MIC	1	
31-1	353213710	OIL TANK	1	
32-1	353030070	OIL TANK CAP CP, YELLOW HS	1	
36-1	355448071	COVER, COCK HOLDER	1	
37	009110011	SOCKET HEAD SCREW 8X20	2	
38	030208200	SW M8	2	
39	952401450	WASHER 8.5X22X3	2	
40	001200610	BOLT 6X10	1	
41	030206150	SW M6	1	
42	2267510103	CLAMP	1	
45	353448490	WIRE CP	1	
47	5806113020	OIL HOSE L=750	1	
53	353449350	PACKING, OIL TANK CAP/HS	1	
54	353449001	STRAINER, OIL TANK	1	
55	353449010	STRAP, OIL TANK	2	
58	353030080	WELL NUT M5	1	
59	091005015	SCREW 5X15	1	
60	952405970	WASHER 6.4D-20D	1	
62-1	353450220	GUARD, OIL HOSE	1	
65	1616391608	CLIP	1	
66	5806113040	PROTECTOR	1	
67	353910020	OIL SENSOR ASSY.	1	
68	355450600	OUTER LINER 525L	1	

MTR-35HS — NARROW FOOT AND TRENCH SHOE ASSY. (OPTION)

NARROW FOOT AND TRENCH SHOE ASSY.



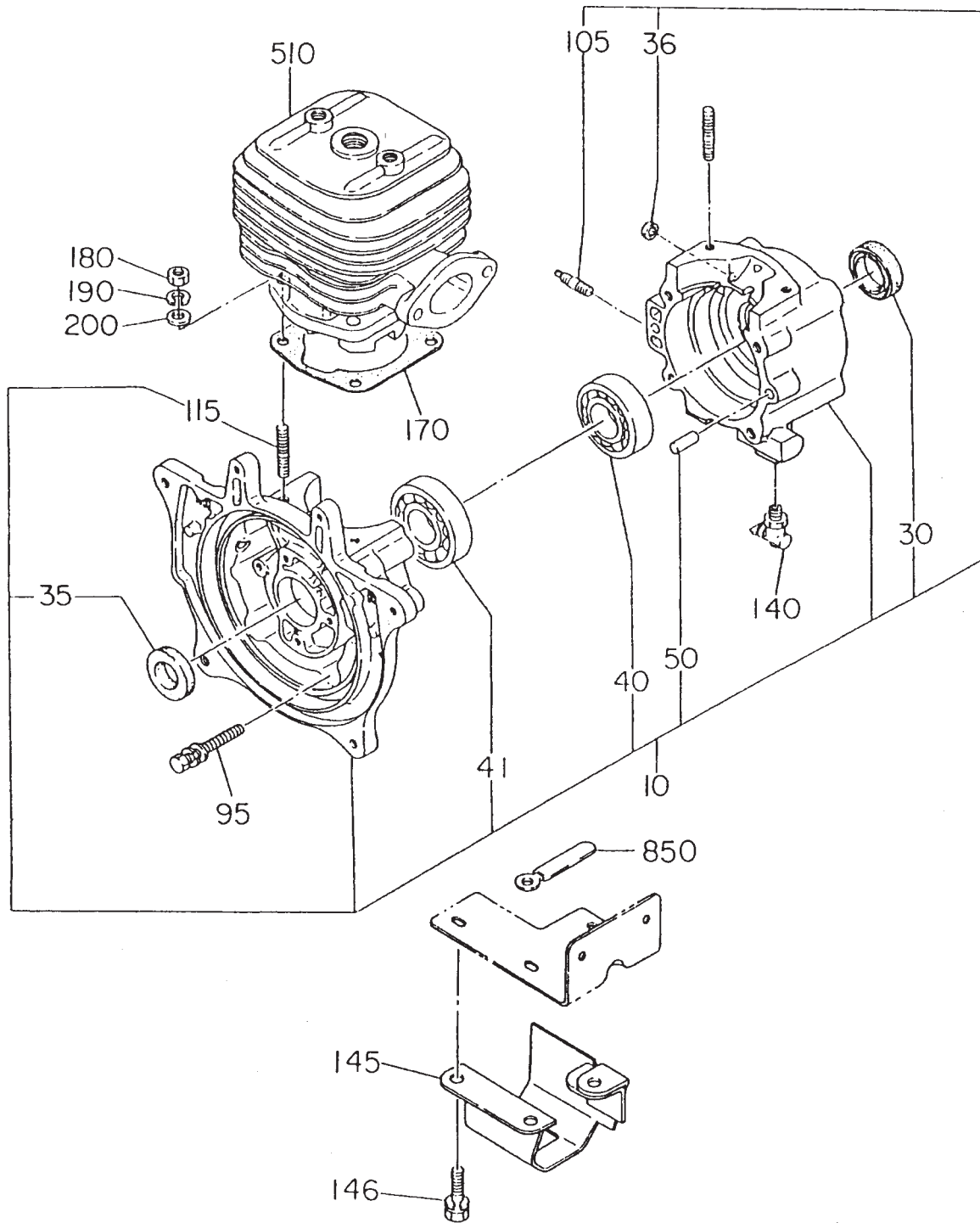
MTR-35HS — NARROW FOOT AND TRENCH SHOE ASSY. (OPTION)

NARROW FOOT AND TRENCH SHOE ASSY.

<u>NO</u>	<u>PART NO</u>	<u>PART NAME</u>	<u>QTY.</u>	<u>REMARKS</u>
A	305910020	FOOT ASSY. 200B	1	
A	305910040	FOOT ASSY. 100B	1	
1	305333140	FOOT 200B	1	
1	305334930	FOOT 100B	1	
2	305333150	METAL SHEET 200B	1	
2	305334940	METAL SHEET 100B	1	
3	305446470	FOOT COVER	1	
3	305447810	FOOT COVER	1	
4	001611050	SUNK HEAD BOLT 10X50 H	2	
5	022711012	NYLON NUT M10	2	
6	030210250	SW M10	2	
7	001611252	SUNK HEAD BOLT 12X60 H	4	
8	022711214	NYLON NUT M12	4	
9	030212300	SW M12	4	
11	305333160	TRENCH SHOE 500H-120B/MTR	1	
11	305333170	TRENCH SHOE 800H-120B/MTR	1	
11	305334390	TRENCH SHOE 305H-100B/MTR	1	
12	001221235	BOLT 12X35 T	4	
13	020312100	NUT M12	4	
14	030212300	SW M12	4	

ROBIN EC-08HS ENGINE — CRANKCASE AND CYLINDER ASSY.

CRANKCASE AND CYLINDER ASSY.



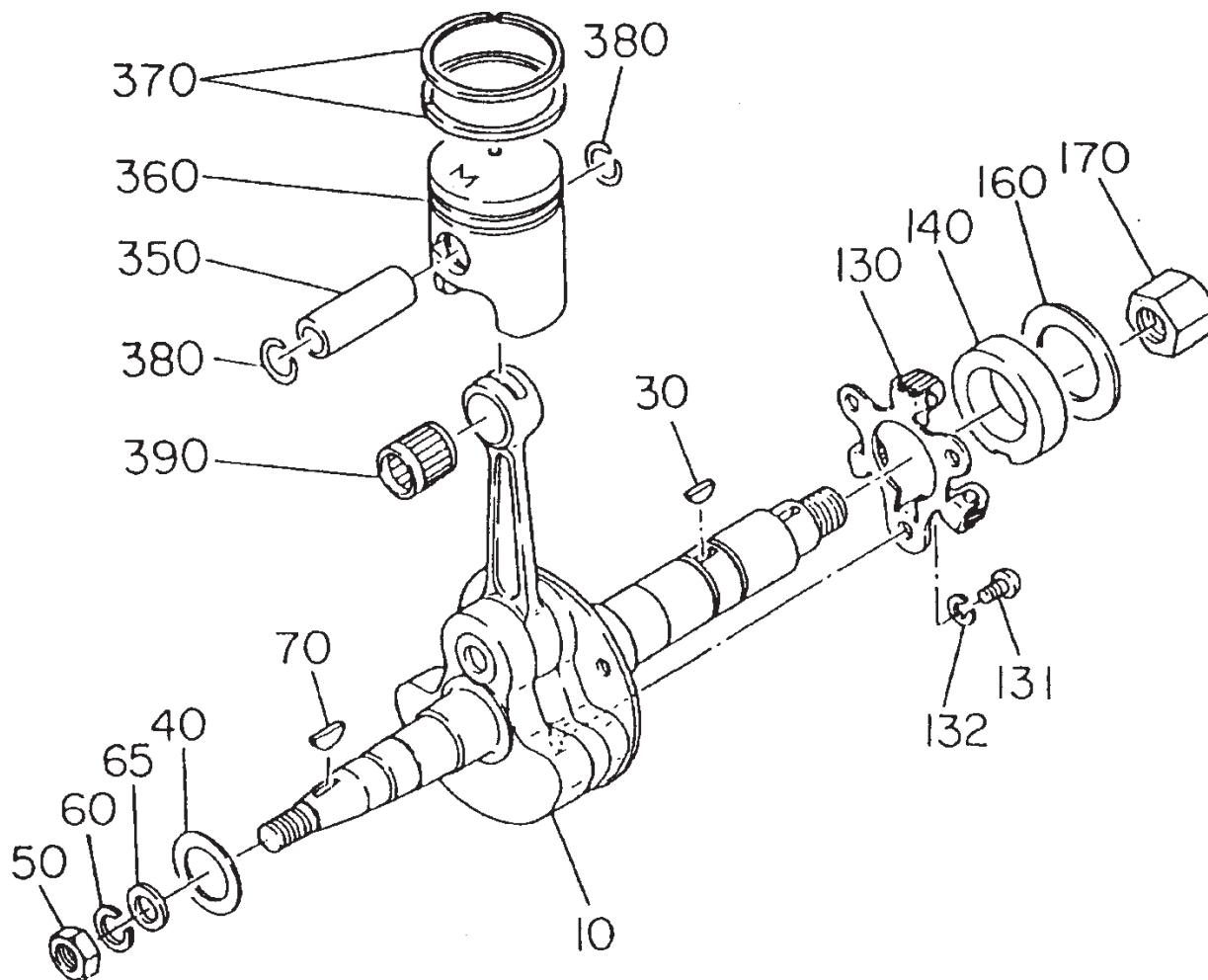
ROBIN EC-08HS ENGINE — CRANKCASE AND CYLINDER ASSY.

CRANKCASE AND CYLINDER ASSY.

<u>NO</u>	<u>PART NO</u>	<u>PART NAME</u>	<u>QTY.</u>	<u>REMARKS</u>
10	5801056000	CRANK CASE CP	1	INCLUDES ITEMS W/*
30*	0440200020	OIL SEAL	1	
35*	0440200020	OIL SEAL	1	
36*	0440060010	OIL SEAL	1	
40*	0600200010	BALL BEARING 6004C3	1	
41*	0600200020	BALL BEARING 6204C3	1	
50*	0052606140	DOWEL PIN	2	
95	0011406450	BOLT ASSY	4	
105*	0105060050	STUD	1	
115*	0105064940	STUD	4	
140	0643109980	DRAIN COCK	1	
145	5809011000	PROTECTOR COMP.	1	
146	0011308180	BOLT AND WASHER ASSY	3	
170	5801501800	GASKET,CYLINDER	1	
180	0021706000	NUT	4	REPLACES 0021806000
190	030206150	SPRING WASHER	4	REPLACES 0032006000
200	0031006000	WASHER	4	
510	5801501400	CYLINDER CP	1	
850	1507520103	CLAMP	1	REPLACES 0566099950

ROBIN EC-08HS ENGINE — CRANKSHAFT AND PISTON ASSY.

CRANKSHAFT AND PISTON ASSY.

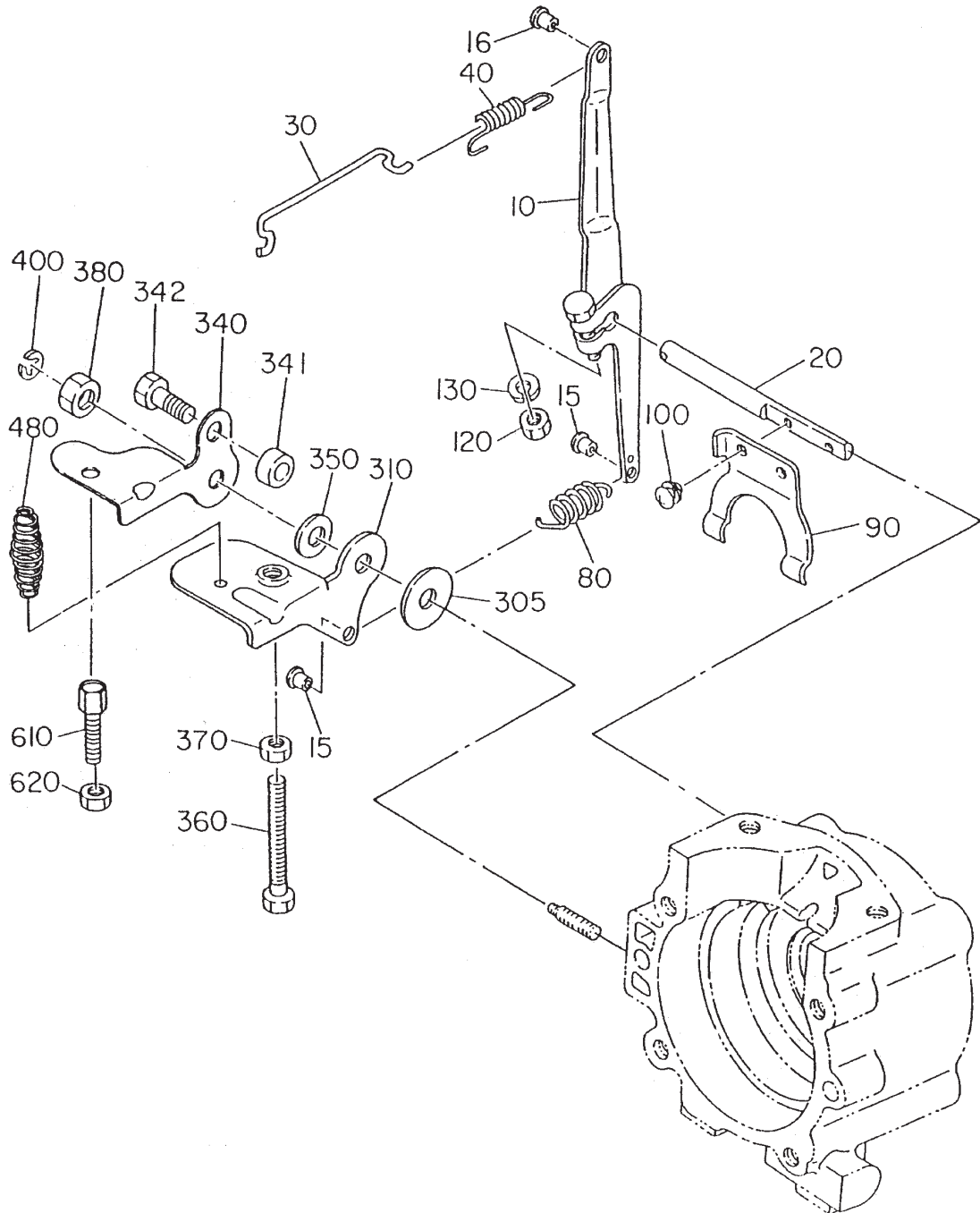


ROBIN EC-08HS ENGINE — CRANKSHAFT AND PISTON ASSY.

CRANKSHAFT AND PISTON ASSY.

<u>NO</u>	<u>PART NO</u>	<u>PART NAME</u>	<u>QTY.</u>	<u>REMARKS</u>
10	5802028000	CRANK SHAFT	1	
30	0323049950	WOODRUFF KEY	1	
40	1292500103	SPACER	2	
50	0039310000	NUT	1	REPLACES 0021810000
60	030210250	SPRING WASHER	1	REPLACES 0032010000
65	030206150	WASHER	1	REPLACES 0031010000
70	0053204201	WOODRUFF KEY	1	REPLACES 0323049950
130	5804010000	PLATE, GOVERNOR	1	
131	0131050020	SCREW (PAN HEAD)	3	REPLACES 0043105080
132	0032005000	SPRING WASHER	3	
140	5514500100	GOVERNOR SLEEVE	1	
160	0230230020	SPACER	1	
170	0173120010	LOCK NUT	1	
350	5802500700	PISTON PIN	1	REPLACES 5802500400
360	5802500600	PISTON	1	
370	5802023000	PISTON RING SET	1	REPLACES 5000008100
380	0565119990	CLIP	2	
390	0610120010	NEEDLE BEARING	1	

GOVERNOR ASSY.



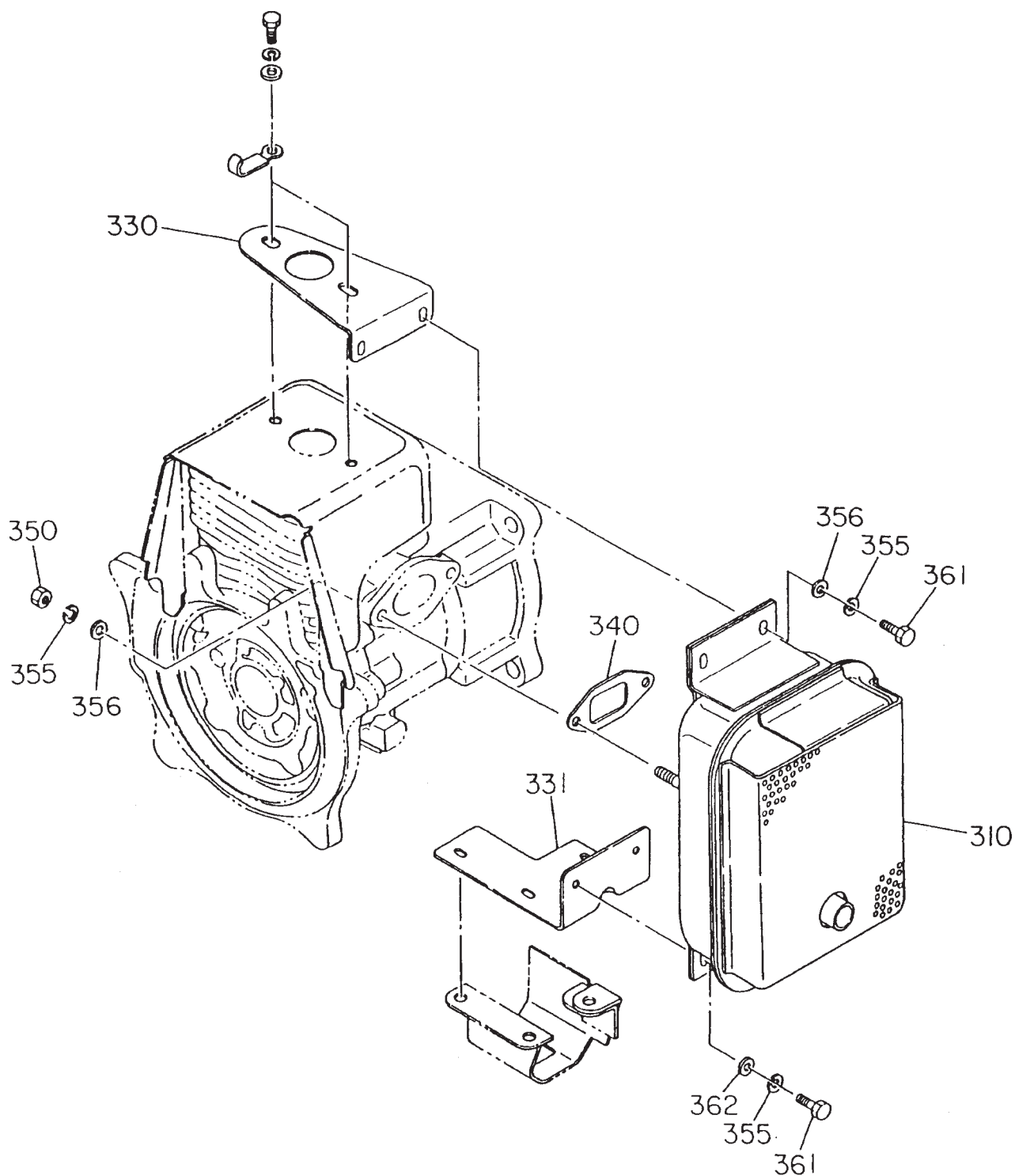
ROBIN EC-08HS ENGINE — GOVERNOR ASSY.

GOVERNOR ASSY.

<u>NO</u>	<u>PART NO</u>	<u>PART NAME</u>	<u>QTY.</u>	<u>REMARKS</u>
10	5804005000	GOVERNOR LEVER	1	
15	5804500900	BUSH	2	
16	2266255008	BUSH, NYLON	1	REPLACES 5806083060
20	1294220103	GOVERNOR SHAFT	1	
30	1054270111	GOVERNOR ROD	1	
40	1064280113	ROD SPRING	1	REPLACES 1064280111
80	1294250111	GOVERNOR SPRING	1	
90	1294210113	GOVERNOR YOKE	1	
100	0140039980	SCREW ASSY	2	
120	57028	NUT	1	REPLACES 0021706000
130	030206150	SPRING WASHER	1	REPLACES 0032006000
305	0217060020	FRICTION WASHER	1	
310	5804500800	CONTROL LEVER	1	
340	5804500600	STOP PLATE	1	
341	0230060090	SPACER	1	
342	0105050616	BOLT	1	REPLACES 6202500400
350	0200070010	WASHER	1	
360	0016506400	BOLT	1	
370	57028	NUT	1	REPLACES 0021706000
380	0170069960	U NUT	1	
400	1294500103	CLIP	1	
480	402010110	COIL SPRING	1	REPLACES 0830000010
610	0149060040	ADJUSTING SCREW	1	REPLACES 0149069981
620	020106050	NUT	1	REPLACES 0022706000

ROBIN EC-08HS ENGINE — MUFFLER ASSY.

MUFFLER ASSY.



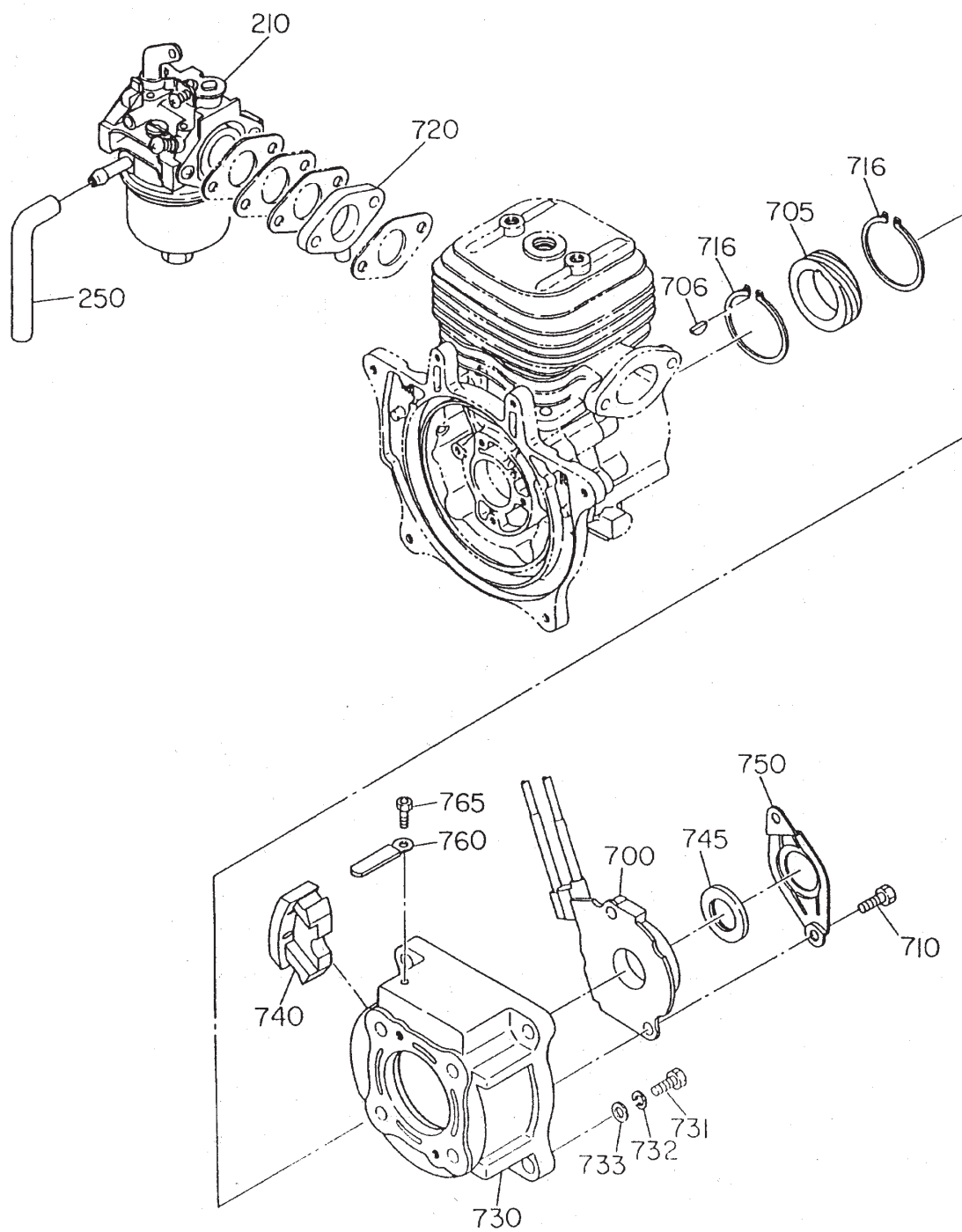
ROBIN EC-08HS ENGINE — MUFFLER ASSY.

MUFFLER ASSY.

<u>NO</u>	<u>PART NO</u>	<u>PART NAME</u>	<u>QTY.</u>	<u>REMARKS</u>
310	5803032000	MUFFLER	1	
330	5803033000	MUFFLER BRACKET A	1	
331	5803034000	MUFFLER BRACKET B	1	
340	1293500403	GASKET (MUFFLER)	1	
350	0170069960	U NUT	2	
355	030206150	SPRING WASHER	6REPLACES 0032006000
356	0031006000	WASHER	4	
361	0016706160	BOLT (MUFFLER)	4	
362	0031006000	WASHER	2	

ROBIN EC-08HS ENGINE — CARBURETOR AND OIL PUMP ASSY.

CARBURETOR AND OIL PUMP ASSY.



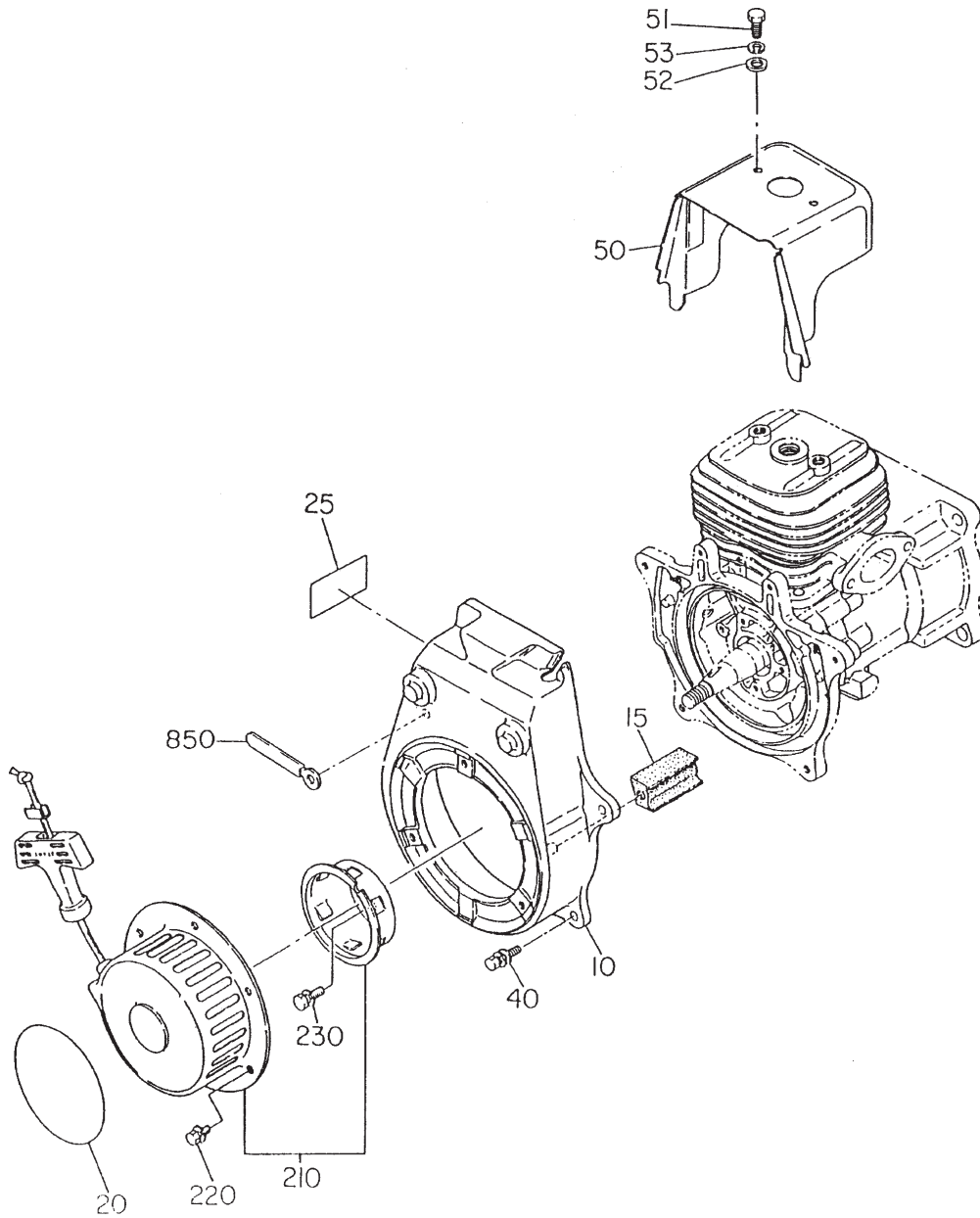
ROBIN EC-08HS ENGINE — CARBURETOR AND OIL PUMP ASSY.

CARBURETOR AND OIL PUMP ASSY.

<u>NO</u>	<u>PART NO</u>	<u>PART NAME</u>	<u>QTY.</u>	<u>REMARKS</u>
210	5806111000	CARBURETOR ASSY	1	SEE CARBURETOR FIG. FOR COMPONENTS
250	1616235308	HOSE	1	
700	5806113000	OIL PUMP ASSY	1	
705	5806502300	WORM GEAR	1	
706	0323039980	WOODRUFF KEY	1	
710	0011306250	BOLT AND WASHER ASSY	2	
716	0031520000	SNAP RING, OUTER	2	
720	1616350101	COLLAR CP (OIL INJ.)	1	
730	5806501900	OIL PUMP HOUSING	1	
731	0119089970	SOCKET HEAD BOLT	4	
732	030208200	SPRING WASHER	4	REPLACES 0032008000
733	0031008000	WASHER	4	
740	5806502000	GROMMET	1	
745	5806502100	SEAL	1	
750	5806502200	PLATE	1	
760	0566059980	CLAMP	1	
765	0119059610	SOCKET HEAD BOLT	1	

ROBIN EC-08HS ENGINE — RECOIL STARTER AND BLOWER ASSY.

RECOIL STARTER AND BLOWER ASSY.



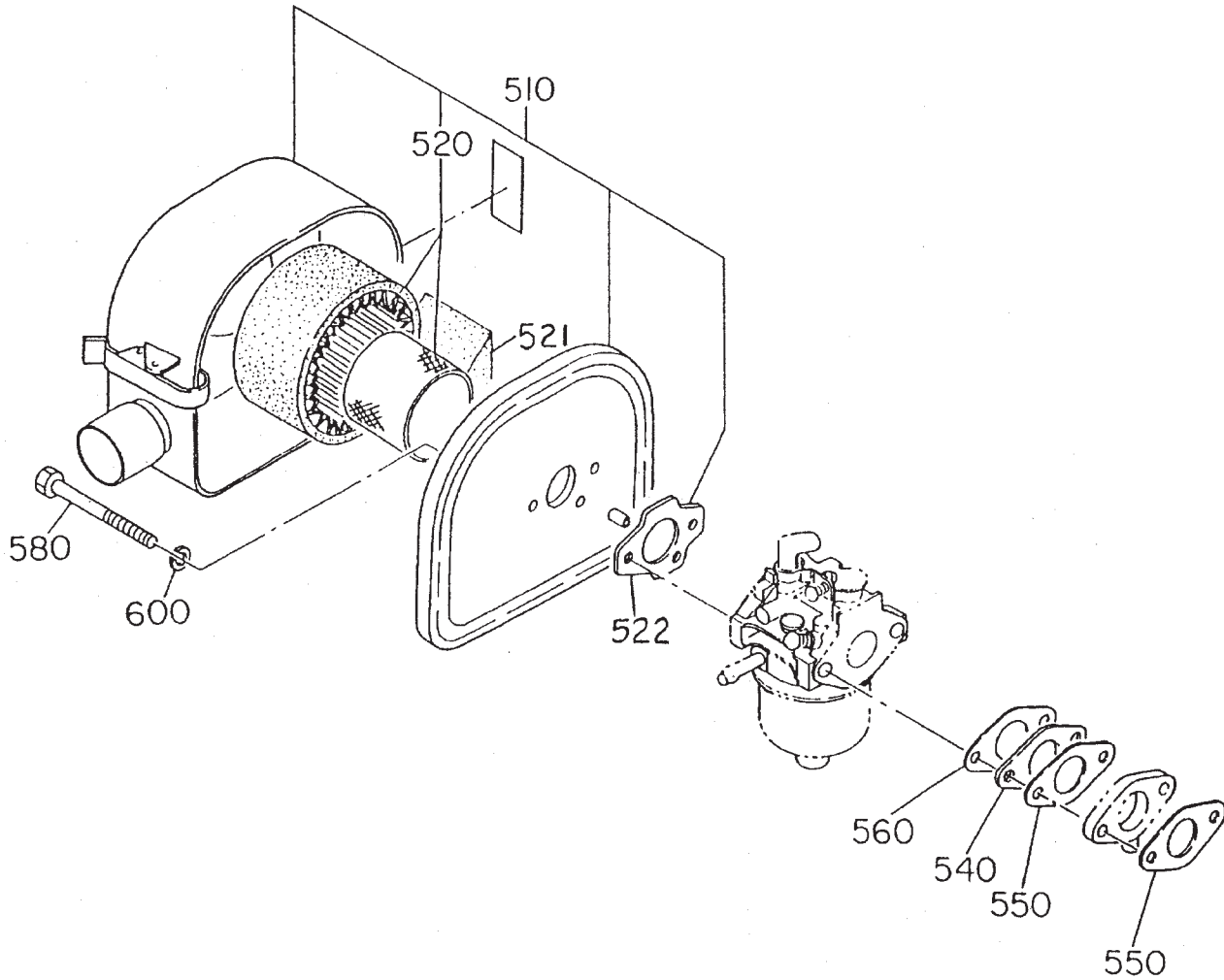
ROBIN EC-08HS ENGINE — RECOIL STARTER AND BLOWER ASSY.

RECOIL STARTER AND BLOWER ASSY.

<u>NO</u>	<u>PART NO</u>	<u>PART NAME</u>	<u>QTY.</u>	<u>REMARKS</u>
10	5805501200	FAN COVER	1	
15	5515500200	GUIDE RUBBER	1	
20	920100240	DECAL, (M-MARK)	1	
25	5809500701	LABEL, MODEL	1	
40	0011106200	BOLT ASSY	4	
50	5805022000	CYLINDER COVER CP	1	
51	011206020	BOLT (CYLINDER)	2	REPLACES 0016706200
52	0031206000	WASHER	2	
53	030206150	SPRING WASHER	2	REPLACES 0032006000
210	5805001000	RECOIL STARTER ASSY	1	SEE RECOIL STARTER FIG. FOR COMPONENTS' REPLACES 5805011001
220	0011006100	BOLT AND WASHER ASSY	3	
230	0011006140	BOLT ASSY	2	
850	0566000250	CLAMP	2	

ROBIN EC-08HS ENGINE — AIR CLEANER ASSY.

AIR CLEANER ASSY.



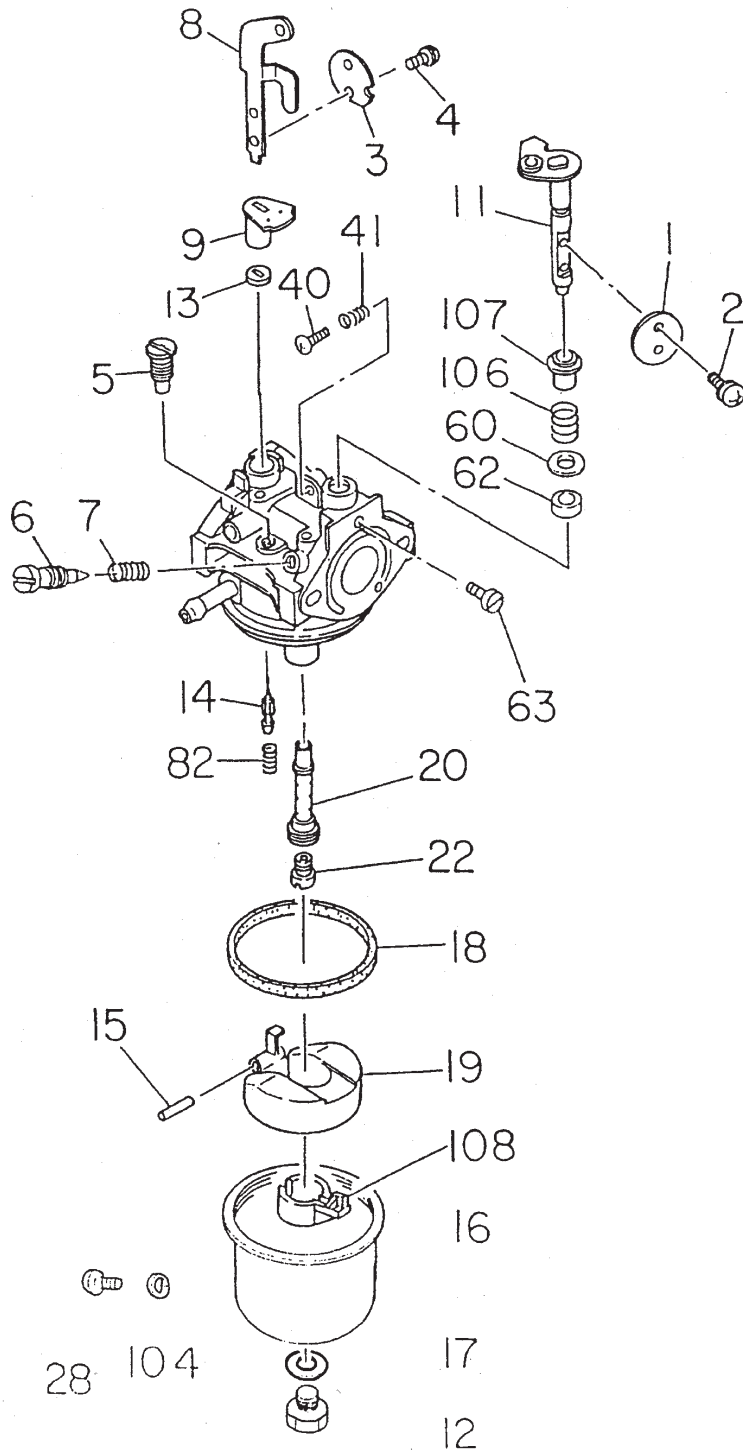
ROBIN EC-08HS ENGINE — AIR CLEANER ASSY.

AIR CLEANER ASSY.

<u>NO</u>	<u>PART NO</u>	<u>PART NAME</u>	<u>QTY.</u>	<u>REMARKS</u>
510	1063273110	AIR CLEANER ASSY	1	INCLUDES ITEMS W/*
520*	1573620101	ELEMENT SET	1	REPLACES 1573260007
521*	1613261008	ELEMENT	1	
522*	2263272008	GASKET (AIR CLEANER)	1	
526	0736439980	LABEL	1	
540	1293290103	INSULATOR	1	
550	1063500103	GASKET (INSULATOR)	2	
560	2363590303	GASKET 2 (INSULATOR)	1	
580	0011306800	BOLT	2	
600	030206150	SPRING WASHER	2	REPLACES 0032006000

ROBIN EC-08HS ENGINE — CARBURETOR COMPONENTS ASSY.

CARBURETOR COMPONENTS ASSY.



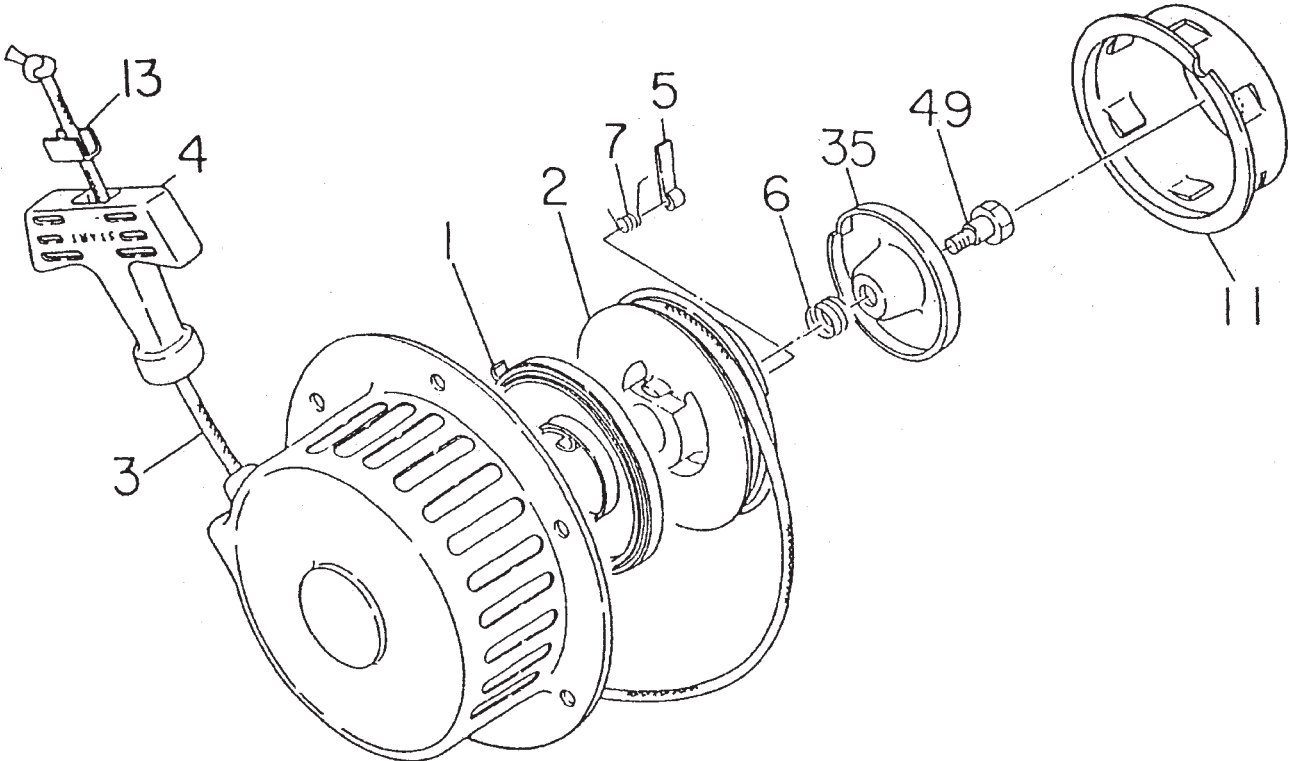
ROBIN EC-08HS ENGINE — CARBURETOR COMPONENTS ASSY.

CARBURETOR COMPONENTS ASSY.

<u>NO</u>	<u>PART NO</u>	<u>PART NAME</u>	<u>QTY.</u>	<u>REMARKS</u>
A	5806111000	CARBURETOR ASSY	1	INCLUDES ITEMS W/*
1*	1616253508	THROTTLE VALVE	1	REPLACES 5806083110
2*	5806111010	SCREW AND WASHER ASSY	2	
3*	5806083310	CHOKE VALVE	1	
4*	5806111010	SCREW AND WASHER ASSY	2	
5*#	2076242008	PILOT JET	1	REPLACES 5606003020
6*#	2136239008	PILOT SCREW	1	REPLACES 5416002150
7*#	2096244508	SPRING	1	REPLACES 8046001230
8*	5806083040	CHOKE LEVER	1	
9*	5806083050	RING	1	
11*	5806083030	THROTTLE SHAFT ASSY	1	
12*#	5806083020	BOLT	1	
13*	5806083360	RING	1	
14*#	1616235208	NEEDLE	1	REPLACES 5806083400
15*#	2146251508	PIN	1	REPLACES 5416002050
16*	161235008	FLOAT BODY ASSY	1	REPLACES 5806083010
17*#	2366245008	PACKING	1	REPLACES 5806083330
18*#	2366254008	PACKING	1	REPLACES 5806083340
19*#	5806083350	FLOAT	1	
20*	5806083260	MAIN NOZZLE	1	
22*#	1296240008	MAIN JET	1	REPLACES 5306011010
28*	5806083150	SCREW	1	
40*#	2366235008	SCREW	1	REPLACES 5416002230
41*#	2096244508	SPRING	1	REPLACES 8046001230
60*	5806083230	PACKING	1	REPLACES 5806083230
62*	5806083210	SEAL	1	
63*	5806083230	SCREW	1	REPLACES 5806083230
82*#	2366244508	SPRING	1	REPLACES 5806083240
104*	2366254108	PACKING	1	REPLACES 5806083320
106*	5806083140	SPRING	1	
107*	5806083120	RING	1	
108*	5806083370	FLOAT STOPPER	1	
#	KITCARBEC08H	KIT, CARBURETOR EC08HS	1	INCLUDES ITEMS W/#

ROBIN EC-08HS ENGINE — RECOIL STARTER COMPONENTS ASSY.

RECOIL STARTER COMPONENTS ASSY.



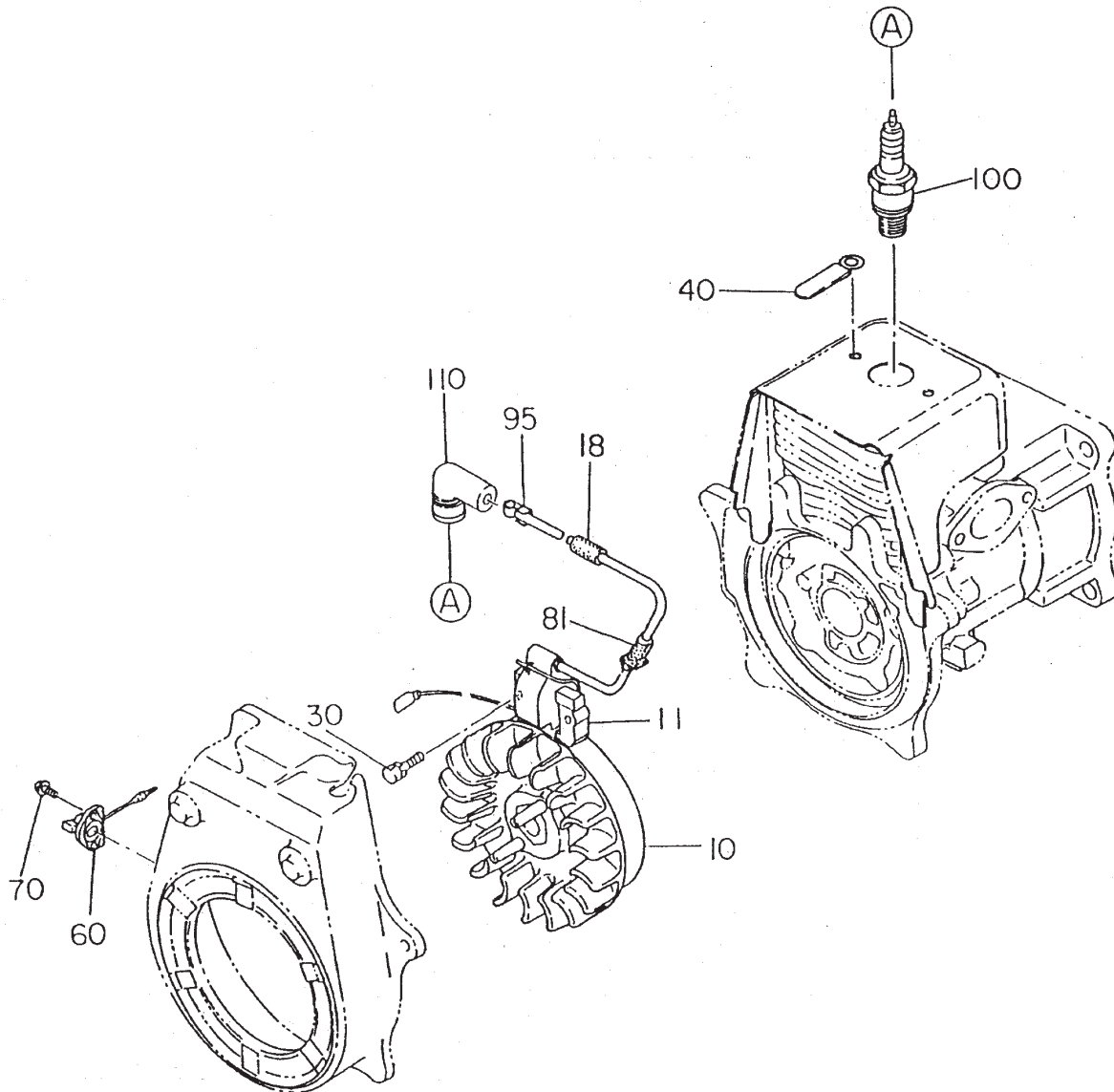
ROBIN EC-08HS ENGINE — RECOIL STARTER COMPONENTS ASSY.

RECOIL STARTER COMPONENTS ASSY.

NO	PART NO	PART NAME	QTY.	REMARKS
A	5805001000	RECOIL STARTER ASSY.	1	INCLUDES ITEMS W/*
1*	5805004020	SPIRAL SPRING	1	
2*	5805004030	REEL	1	
3*	5805011040	STARTER ROPE	1	
4*	5805001030	STARTER HANDLE	1	
5*	5805004040	RATCHET	1	
6*	5805004110	FRICTION SPRING	1	
7*	5805004050	RETURN SPRING	1	
11*	5805004140	STARTER PULLEY	1	REPLACES EC08A050311
13*	5515005160	ROPE STOPPER	1	
35*	5805004120	FRICTION PLATE	1	REPLACES EC08A05038
49*	5805011020	CENTER SCREW	1	

ROBIN EC-08HS ENGINE — MAGNETO ASSY.

MAGNETO ASSY.



ROBIN EC-08HS ENGINE — MAGNETO ASSY.

MAGNETO ASSY.

<u>NO.</u>	<u>PART NO.</u>	<u>PART NAME</u>	<u>QTY.</u>	<u>REMARKS</u>
10	5807005010	FLYWHEEL	1	
11	5807007020	IGNITION COIL	1	
18	0851029960	VINYL PIPE	1	
30	0011105250	BOLT AND WASHER ASSY	2	
40	1507520103	CLAMP	1 REPLACES 0566099950
60	0660000361	STOP SWITCH ASSY (ON-OFF)	1	
70	0043304100	SCREW 4X10	2	
81	0241069980	GROMMET	1	
95	0659000010	SPARK PLUG CLIP	1 REPLACES 0655000100
100	0650140031	SPARK PLUG	1 REPLACES 00650149730
110	0655000140	SPARK PLUG CAP	1	