

PARTS MANUAL



Mikasa **SERIES**
MODEL MT-84FA
TAMPING RAMMER
(ROBIN GASOLINE ENGINE)

Revision #1 (10/10/20)

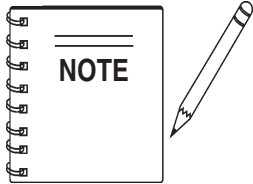
THIS MANUAL MUST ACCOMPANY THE EQUIPMENT AT ALL TIMES.

MULTIQUIP TAMPING RAMMER MT-84FA

Table Of Contents	3
Explanation Of Codes In Remarks Column	4
Suggested Spare Parts	5
Name Plate and Decals	6-7
Crankcase and Engine Assembly	8-11
Guide Cylinder and Foot Assembly	12-13
Tank and Handle Assembly	14-15

ROBIN EH-12-2D46420 ENGINE

Crankcase and Cylinder Assembly	16-17
Crankshaft and Piston Assembly	18-19
Muffler, Air Cleaner, Camshaft, & Carb. Assy. .	20-21
Governor Assembly	22-23
Recoil Starter and Blower Assembly	24-25
Magneto Assembly	26-27
Carburetor Assembly	28-29



*Specification and part number are
subject to change without notice.*

MT-84FA — EXPLANATION OF PARTS SECTION REMARKS

The following section explains the different symbols and remarks used in the Parts section of this manual. Use the help numbers found on the back page of the manual if there are any questions.

The contents and part numbers listed in the parts section are subject to change **without notice**. Multiquip does not guarantee the availability of the parts listed.

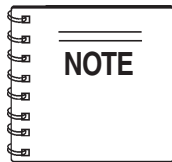
Sample Parts List:

NO.	PART NO.	PART NAME	QTY.	REMARKS
1	12345	BOLT	1	INCLUDES ITEMS W/ *
2*		WASHER, 1/4 IN.		NOT SOLD SEPARATELY
2*	12347	WASHER, 3/8 IN.	1	MQ-45T ONLY
3	12348	HOSE	A/R ..	MAKE LOCALLY
4	12349	BEARING	1	S/N 2345B AND ABOVE

NO. Column

Unique Symbols - All items with same unique symbol (*, #, +, %, or >) in the number column belong to the same assembly or kit, which is indicated by a note in the “Remarks” column.

Duplicate Item Numbers - Duplicate numbers indicate multiple part numbers are in effect for the same general item, such as different size saw blade guards in use or a part that has been updated on newer versions of the same machine.



When ordering a part that has more than one item number listed, check the remarks column for help in determining the proper part to order.

PART NO. Column

Numbers Used - Part numbers can be indicated by a number, a blank entry, or TBD.

TBD (To Be Determined) is generally used to show a part that has not been assigned a formal part number at time of publication.

A blank entry generally indicates that the item is not sold separately or is not sold by Multiquip. Other entries will be clarified in the “Remarks” Column.

QTY. Column

Numbers Used - Item quantity can be indicated by a number, a blank entry, or A/R.

A/R (As Required) is generally used for hoses or other parts that are sold in bulk and cut to length.

A blank entry generally indicates that the item is not sold separately. Other entries will be clarified in the “Remarks” Column.

REMARKS Column

Some of the most common notes found in the “Remarks” Column are listed below. Other additional notes needed to describe the item can also be shown.

Assembly/Kit - All items on the parts list with the same unique symbol will be included when this item is purchased.

Indicated by:

“INCLUDES ITEMS W/(unique symbol)”

Serial Number Break - Used to list an effective serial number range where a particular part is used.

Indicated by:

“S/N XXXXX AND BELOW”

“S/N XXXX AND ABOVE”

“S/N XXXX TO S/N XXX”

Specific Model Number Use - Indicates that the part is used only with the specific model number or model number variant listed. It can also be used to show a part is NOT used on a specific model or model number variant.

Indicated by:

“XXXXX ONLY”

“NOT USED ON XXXX”

“Make/Obtain Locally” - Indicates that the part can be purchased at any hardware shop or made out of available items. Examples include battery cables, shims, and certain washers and nuts.

“Not Sold Separately” - Indicates that an item cannot be purchased as a separate item and is either part of an assembly/kit that can be purchased, or is not available for sale through Multiquip.

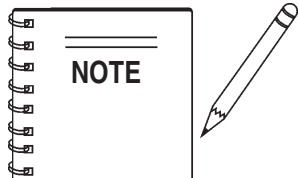
MT-84FA — SUGGESTED SPARE PARTS

MT-84FA RAMMER 1 TO 3 UNITS

QTY	PART NO	DESCRIPTION	REMARKS
1	.. 362910060 THROTTLE LEVER ASSY	
1	.. 956100045 THROTTLE WIRE	
3	.. 354030030 ELEMENT, YELLOW	
3	.. 354030040 ELEMENT, GRAY	
1	.. 361910070 CAP, FUEL TANK	
1	.. 954300720 COCK, FUEL ASSY.	
3	.. 2523260207	... ELEMENT, SET, ENGINE	
1	.. 0660000371	... STOP SWITCH ASSY	
3	.. 0650140580	... SPARK PLUG	
1	.. 954406010 STRAINER, FUEL TANK	
1	.. 2825011118	... STARTER ROPE	

MT-84FA RAMMER 3 TO 5 UNITS

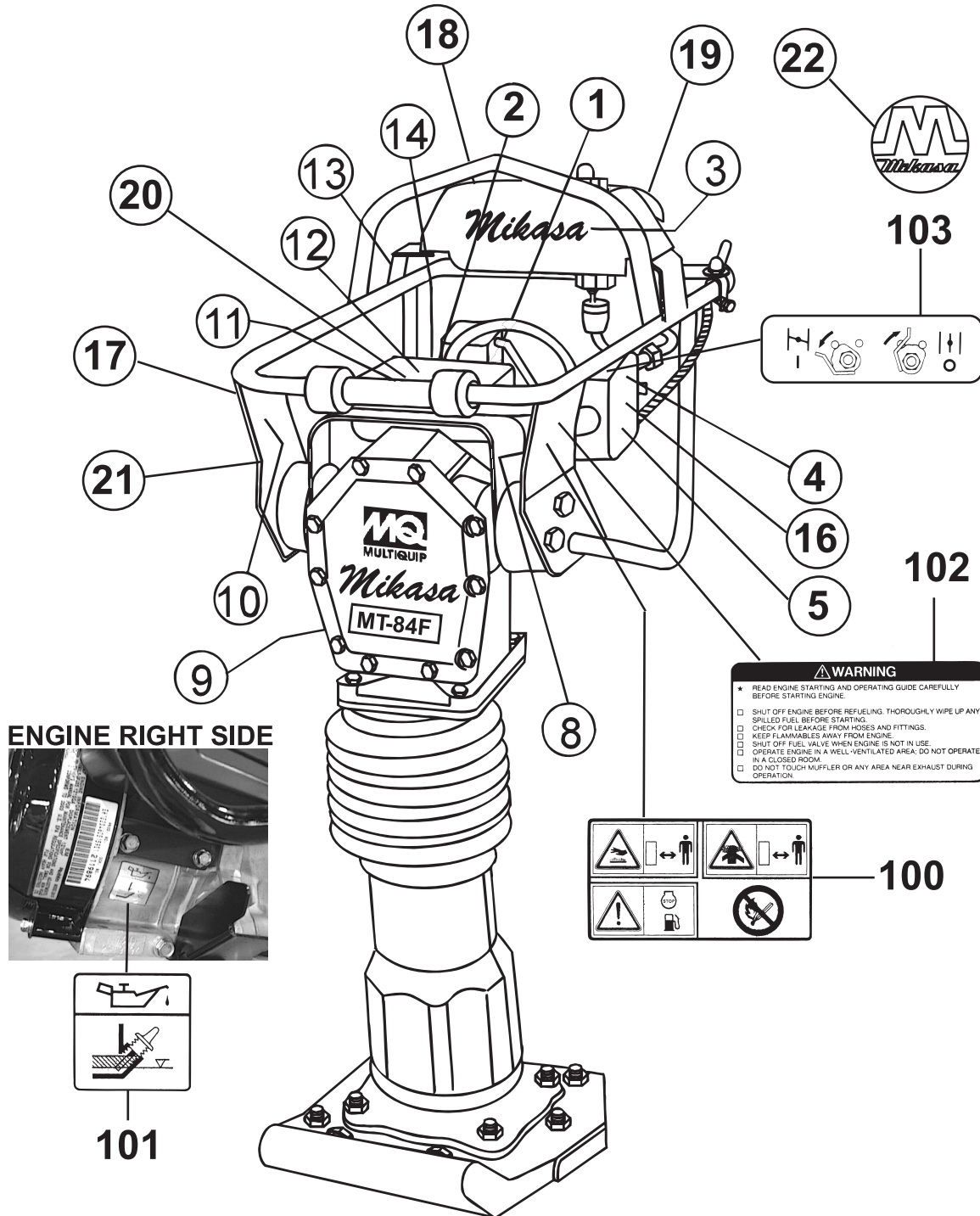
QTY	PART NO	DESCRIPTION	REMARKS
1	.. 362910060 THROTTLE LEVER ASSY	
1	.. 956100045 THROTTLE WIRE	
5	.. 354030030 ELEMENT, YELLOW	
5	.. 354030040 ELEMENT, GRAY	
2	.. 354336352 CLAMP, BELLOWS	
1	.. 354010010 BELLOWS	
1	.. 361910070 CAP, FUEL TANK	
1	.. 954300720 COCK, FUEL ASSY.	
5	.. 2523260207	... ELEMENT, SET, ENGINE	
1	.. 0660000371	... STOP SWITCH ASSY	
5	.. 0650140580	... SPARK PLUG	
1	.. 954406010 STRAINER, FUEL TANK	
1	.. 2825011118	... STARTER ROPE	



Part number on this Suggested Spare Parts List may supersede/replace the P/N shown in the text pages of this book.

MT-84FA— NAMEPLATE AND DECALS

NAME PLATE AND DECALS



MT-84FA— NAMEPLATE AND DECALS

NAME PLATE AND DECALS

<u>NO</u>	<u>PART NO</u>	<u>PART NAME</u>	<u>QTY.</u>	<u>REMARKS</u>
1	920202930	DECAL: START SWITCH	1	NPA293
2	920210150	DECAL: 3500 ~ 3700 RPM	1	
3	920106460	DECAL: MIKASA 160 MM	1	
4	920210160	DECAL: SERVICE MONTHLY	1	NPA1016
5	920108310	DECAL: CLEANER ELEMENT	1	NPA831
8	920203290	DECAL: CAUTION	1	NPA329
9		PLATE, SERIAL NO.	1	CONTACT MQ PARTS DEPT. W/ MODEL & S/N
10	920107000	DECAL: PRE-CLEANER	1	NP700
11	920204370	DECAL: PRE-CLEANER	1	NPA437
12	920209750	DECAL: CAUTION 4 CYCLE	1	NPA975
13	920203330	DECAL: EAR PROTECTION	1	NPA333
14	920203990	DECAL: CAUTION (FUEL COCK)	1	NPA399
16	920203980	DECAL: ELEMENT SET	1	NPA398
17	920207690	DECAL: CAUTION (MANUAL)	1	NPA769
18	920210170	DECAL: GASOLINE ONLY	1	NPA1017
19	920208960	TAG, GASOLINE	1	NPA896
20	920210180	DECAL, CHECK DAILY (FILTER)	1	NPA1018
21	920209100	DECAL, CAUTION (RAMMER)	1	NPA910
22	920100240	DECAL (M-MARK)	1	NP24
100	0732004450	LABEL, CAUTION	1	
101	0732004520	LABEL, OIL CAUTION	1	
102	0732003900	LABEL, WARNING	1	
103	0732005020	LABEL, CHOKE	1	

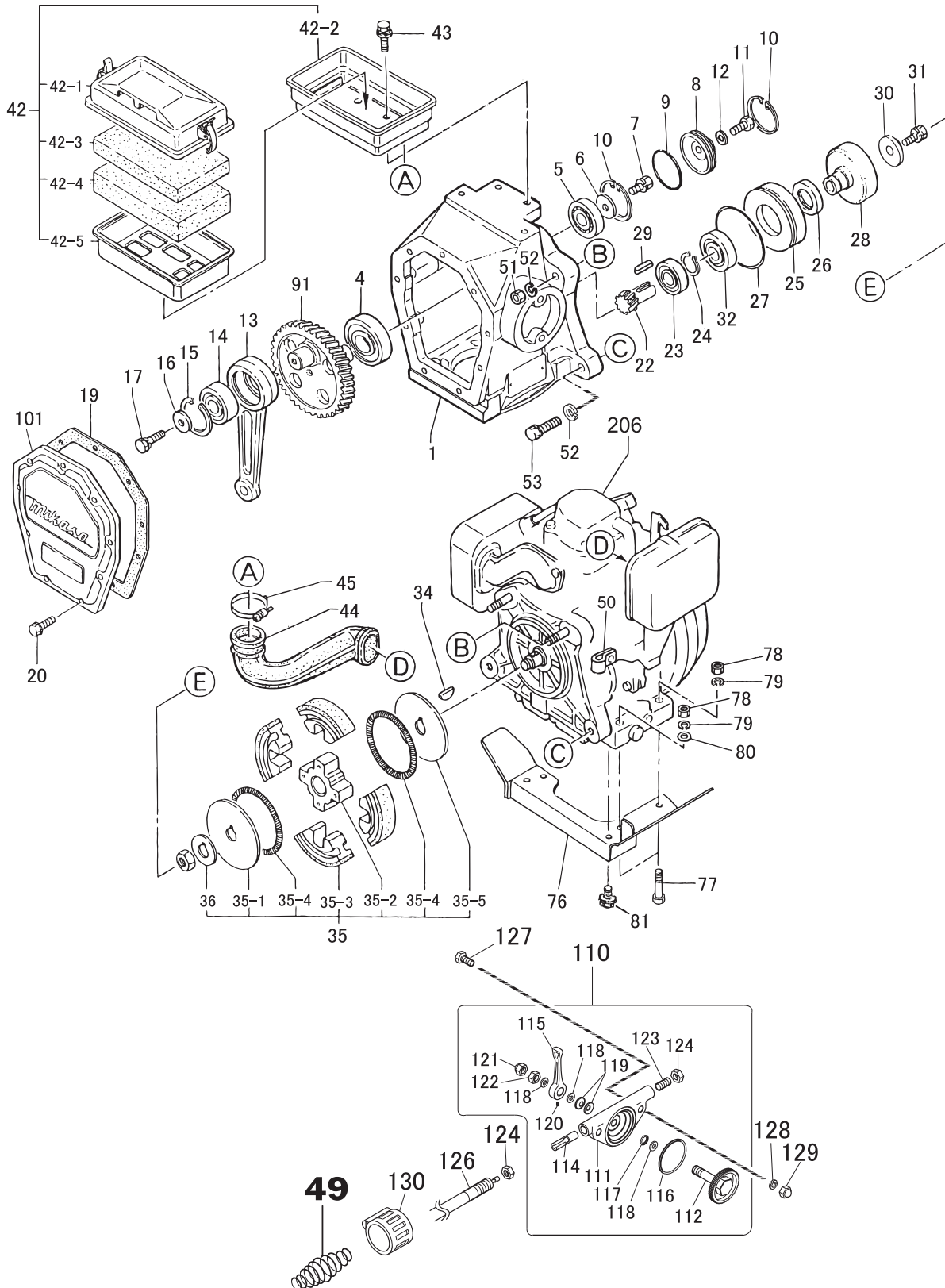
MT-84FA — CRANKCASE AND ENGINE ASSY.

CRANKCASE AND ENGINE ASSY.

NO.	PART NO.	PART NAME	QTY.	REMARKS
1	361117380	CRANK CASE	1	
4	040006207	BEARING 6207	1	
5	040006204	BEARING 6204	1	
6	952400130	WASHER 9304	1	
7	002210825	BOLT 8X25 H, SW	1	
8	371447650	BEARING COVER	1	
9	050300480	O-RING S-48	1	
10	080100480	STOP RING R-48	2	
11	001220610	BOLT 6X10 T	1	
12	031106100	WASHER M5	1	
13	371334730	CONNECTING ROD	1	
14	040006304	BEARING 6304	1	
15	080100520	STOP RING R-52	1	
16	952400130	WASHER 9304	1	
17	002210825	BOLT 8X25 H, SW	1	
19	352444450	PACKING, FRONT COVER	1	
20	002200620	BOLT 6X20 H, SW	9	
22	361449320	PINION	1	
23	040006204	BEARING 6204	1	
24	080200350	STOP RING S-35	1	
25	371449600	SPACER	1	
26	060404010	OIL SEAL TC-40528	1	
27	050101000	O-RING G-100	1	
28	361449330	CLUTCH DRUM	1	
29	951407340	KEY 5X5X20R	1	
30	952405490	LOCK WASHER	1	
31	002210820	BOLT 8X20 H, SW	1	
32	041006007	BEARING 6007Z	1	
34	0053204201	WOODRUFF KEY	1	
35	362454441	CLUTCH ASSY CE120P	1	INCLUDES ITEMS W/ *
35-1*	943060020	CLUTCH GUIDE/B	1	
35-2*	943050050	CLUTCH BOSS C812	1	
35-3*	943020020	CLUTCH SHOE C812	4	
35-4*	943030021	CLUTCH SPRING C812	2	
35-5*	943060100	CLUTCH GUIDE/A 1.6T	1	
36*	301010210	LOCK WASHER, CLUTCH	1	
42	361213800	AIR CLEANER ASSY	1	INCLUDES ITEMS W/ #
42-1#	354030011	BODY /W-CLEANER	1	
42-2#	361010020	BACK PLATE CP	1	
42-3#	354030030	ELEMENT, YELLOW	1	
42-4#	354030040	ELEMENT, GRAY	1	
42-5#	354030050	ELEMENT FRAME	1	

MT-84FA — CRANKCASE AND ENGINE ASSY.

CRANKCASE AND ENGINE ASSY. CONTINUED



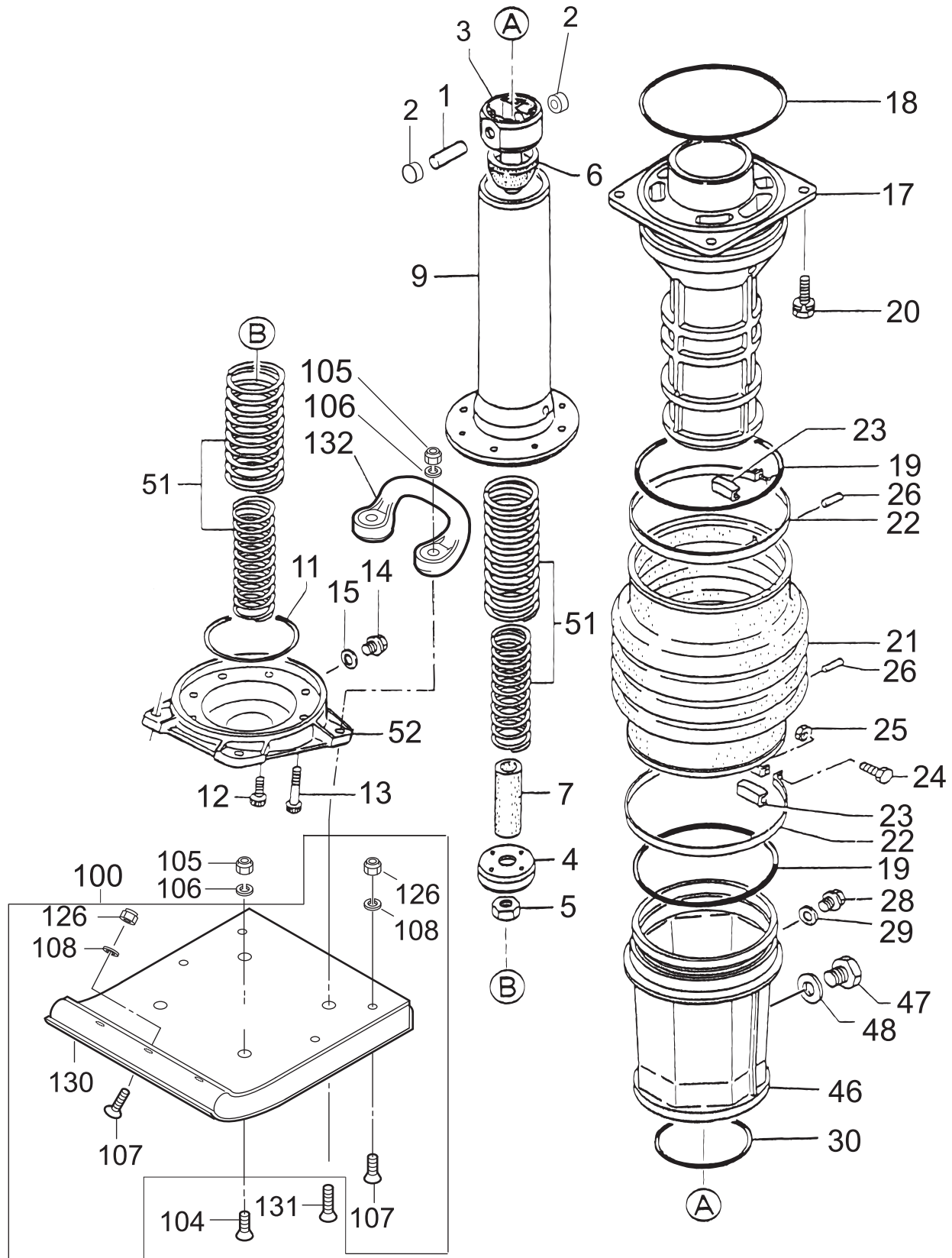
MT-84FA — CRANKCASE AND ENGINE ASSY.

CRANKCASE AND ENGINE ASSY. CONTINUED

<u>NO</u>	<u>PART NO</u>	<u>PART NAME</u>	<u>QTY.</u>	<u>REMARKS</u>
43	002200820	BOLT 8X20 H, SW	4	
44	361336010	INTAKE PIPE	1	
45	954010230	HOSE BAND (B)	1	
49	0830000010	COIL SPRING	1	
50	959006120	CLIP	1	
51	020310080	NUT M10	2	
52	030210250	SW M10	4	
53	001221050	BOLT 10X50 H, SW	2	
76	361214201	UNDER PROTECTOR	1	
77	001220840	BOLT 8X40 T	3	
78	020308060	NUT M8	3	
79	030208200	WASHER, LOCK M8	3	
80	031108160	WASHER, FLAT M8	3	
81	0011308180	BOLT AND WASHER ASSY	2	
91	361335870	CRANK GEAR	1	
101	361010070	FRONT COVER	1	
110	362910060	THROTTLE LEVER ASSY	1	INCLUDES ITEMS W/ %
111%	362341550	THROTTLE BODY	1	
112%	362910090	THROTTLE GEAR CP, W/ BOLT	1	
114%	362455620	SLIDER	1	
115%	362455630	THROTTLE LEVER	1	
116%	050100450	O-RING G-45	1	
117%	050200100	O-RING P-10	1	
118%	031110160	WASHER, FLAT M10	3	
119%	033910070	CONICAL SPRING WASHER	2	
119%	032110180	CONICAL SPRING WASHER M10	2	
120%	096206006	SOCKET HEAD SCREW 6 X 6	1	
121%	022131008	CAP NUT M10	1	
122%	020410060	NUT M10	1	
123%	096208020	SOCKET HEAD SCREW 8X20	1	
124	020408050	NUT M8	2	
126	956100045	THROTTLE WIRE	1	
127	001220620	BOLT 6X20 T	2	
128	030206150	WASHER, LOCK M6	2	
129	022130605	CAP NUT M6	2	
130	303010450	BAND	1	
206	911211214	ENGINE, EH-12-2D	1	

MT-84FA — GUIDE CYLINDER AND FOOT ASSY.

GUIDE CYLINDER AND FOOT ASSY.



MT-84FA — GUIDE CYLINDER AND FOOT ASSY.

GUIDE CYLINDER AND FOOT ASSY.

NO.	PART NO.	PART NAME	QTY.	REMARKS
1	352423290	PISTON PIN	1	
2	363457870	PISTON PIN PLUG	2	
3	361344360	PISTON ROD	1	
4	355452340	PISTON END	1	
5	020118150	NUT M18, P1.5	1	
6	355447250	STOPPER UPPER	1	
7	355447260	STOPPER, LOWER	1	
9	355334310	SPRING CYLINDER	1	
11	050100900	O-RING G-90	1	
12	014210020	SOCKET HEAD BOLT 10X20 T	4	REPLACES 001521020
13	014210040	SOCKET HEAD BOLT 10X40 T	4	REPLACES 001521040
14	953405270	PLUG 1/4X14 13L	1	
15	953405260	PACKING 1/4 (CU)	1	
17	355213010	GUIDE CYLINDER	1	
18	050201500	O-RING P-150	1	
19	050931500	O-RING JASO3150	2	
20	012710035	BOLT 10X35 H, SW	4	REPLACES 002211035
21	354010010	BELLOWS(L) ORANGE	1	
22	354336352	BELLOWS CLAMP	2	REPLACES 354329380
23	354442340	BAND GUIDE, BELLOWS	2	
24	011008040	BOLT 8X40 H	2	REPLACES 001220840
25	020108060	NUT M8	2	REPLACES 020308060
26	354446170	PIN 6D-8.5L	2	
28	953405270	PLUG 1/4X14 13L	2	
29	953405260	PACKING 1/4 (CU)	2	
30	050100950	O-RING G-95	1	
46	355113960	PROTECTION SLEEVE	1	
47	959010150	LEVEL GAUGE, PLUG TYPE	1	
48	953404670	COPPER PACKING 17X25.5X1	1	
51	355447270	MAIN SPRING	2	
52	355213000	FOOT PLATE 16	1	
100	362910130	FOOT ASSY	1	INCLUDES ITEMS W/ *
104	001611253	SUNK HEAD BOLT 12 X65 H	2	
105	021112140	NYLON NUT M12	4	REPLACES 022711214
106	030212300	WASHER, LOCK M12	4	
107*	015110055	SUNK HEAD BOLT 10X55 H	7	REPLACES 001611051
108*	030210250	WASHER, LOCK M10	7	
126*	021110120	NYLON NUT M10	7	REPLACES 022711012
130*	362910130	FOOT ASSY 285W-SF-EXP	1	
131	001611259	SUNK HEAD BOLT 12X95 H	2	
132	363343390	HANDLE	1	

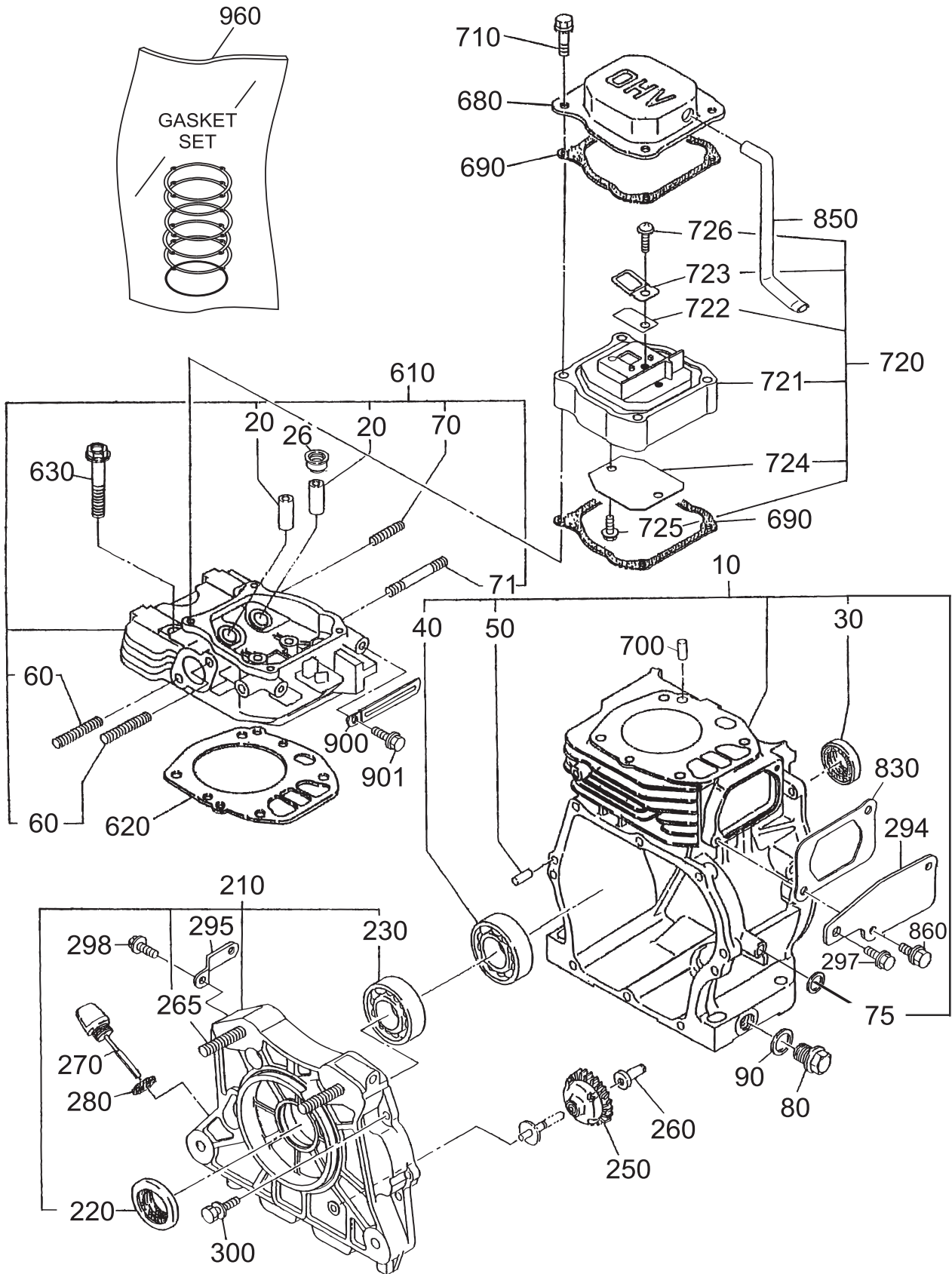
MT-84FA — TANK AND HANDLE ASSY.

TANK AND HANDLE ASSY.

<u>NO</u>	<u>PART NO</u>	<u>PART NAME</u>	<u>QTY.</u>	<u>REMARKS</u>
A	305910032	FUEL TANK ASSY	1	INCLUDES ITEMS W/ #
1	361118300	HANDLE	1	
5	351337070	SHOCK ABSORBER	2	
6	009110007	GT CAP SA, 10X20	4	
7	012210020	BOLT 10X20 H, SW	4	REPLACES 002211020
9#	362116890	FUEL TANK, GRAY	1	
12	011208030	BOLT 8X30 T	2	REPLACES 001220830
13	022710809	NYLON NUT M8	2	
14	030208200	WASHER, LOCK M8	2	
15	952401450	WASHER 8.5X22X3	2	
16	954300720	FUEL COCK ASSY	1	
17#	351437785	HOLDER, FUEL COCK	1	
18#	954406020	PACKING, COCK FUEL	1	
21#	954406010	STRAINER	1	
22#	361910070	CAP ASSY, TANK	1	INCLUDES ITEM W/ %
22-1#%	353449010	STRAP, FUEL TANK CAP	1	
22-2#%	361455740	SUB CAP (B)	1	
22-3#	920208960	TAG, GASOLINE	1	
41	955200053	ROLLER, W/ PIN	2	
42	091005025	SCREW 5 X 25	4	
43	022610505	FLANGE NUT M5 H	4	
44	031105080	WASHER, FLAT M5	4	
51	959021721	FUEL HOSE/D4.5 X D9 X150L	1	
51	950014500150M	FUEL HOSE (1M)	1	
52	950024085008	CLAMP, TUBE	2	
53	26365012A3	FILTER, FUEL	1	
54	959026121	FUEL HOSE/D5.5 X D11.5 X 170L	1	
54	959026199	FUEL HOSE/1M	1	
55	954406420	HOSE BAND 10.5	2	
91	361458840	STAY, SHOCK ABSORBER/R	1	
92	361458850	STAY, SHOCK ABSORBER/L	1	
93	002211025	BOLT 10 X 25 H, SW	4	
94	022131008	CAP NUT M10	4	
96	939010270	STOPPER RUBBER (70)	1	
97	030208200	WASHER, LOCK M8	1	
98	020308060	NUT M8	1	
99	361459020	SPACER, SHOCK ABSORBER	2	

ROBIN EH-12-2D46420 ENGINE — CRANKCASE AND CYLINDER ASSY.

CRANKCASE AND CYLINDER ASSY.



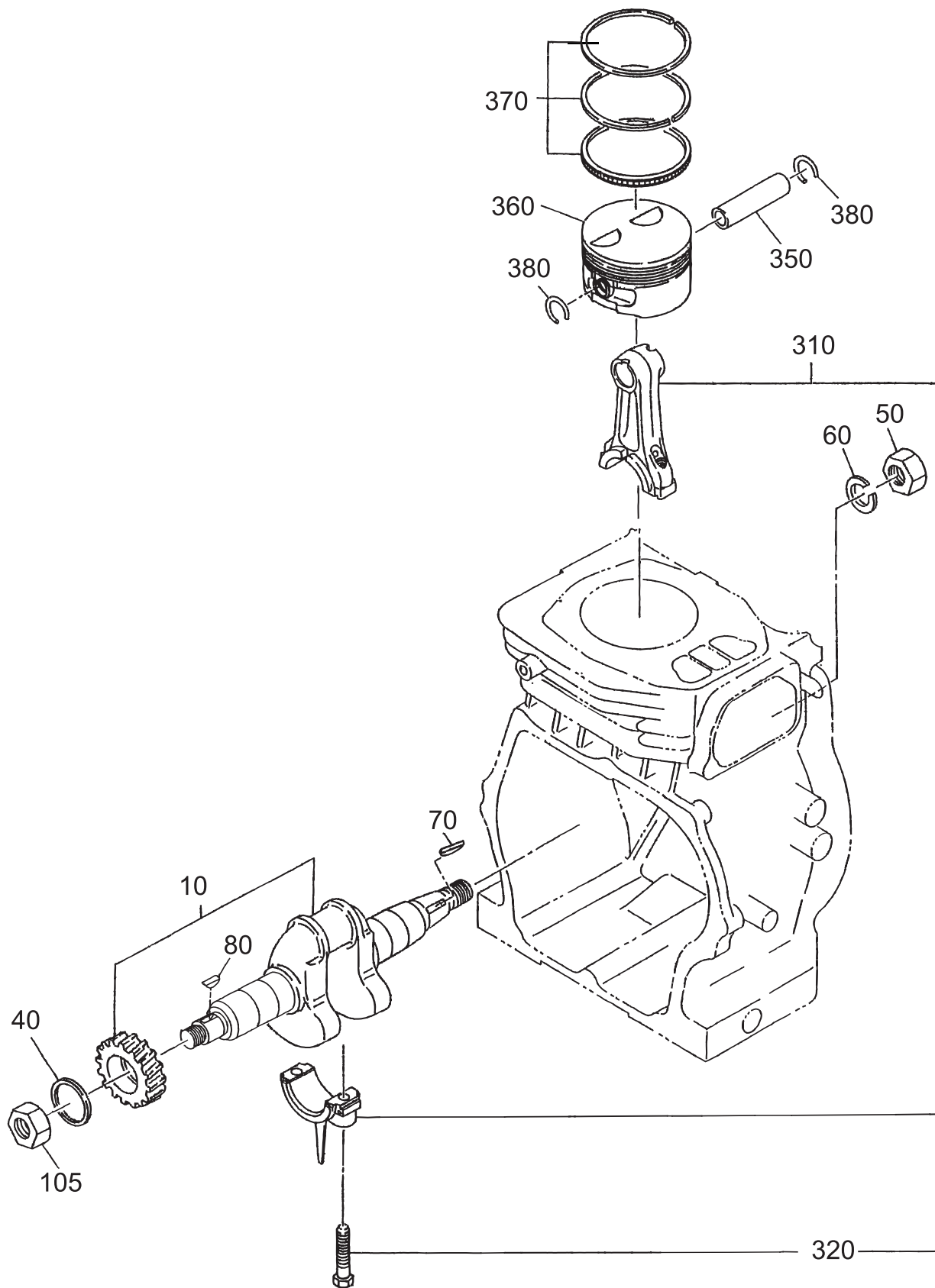
ROBIN EH-12-2D46420 ENGINE — CRANKCASE AND CYLINDER ASSY.

CRANKCASE AND CYLINDER ASSY.

<u>NO.</u>	<u>PART NO.</u>	<u>PART NAME</u>	<u>QTY.</u>	<u>REMARKS</u>
10	2521030131	CRANK CASE	1	INCLUDES ITEMS W/ %
20#	2371420203	VALVE GUIDE, OVERSIZE	2	
26#	2771601001	STEM SEAL	1	
30%	0440250150	OIL SEAL	1	
40%	0600250100	BALL BEARING	1	
50%	0310060020	DOWEL PIN	2	
60#	0105080480	STUD	2	
70#	0105060131	STUD	1	
71#	0013906600	STUD	1	
75%	0440080010	OIL SEAL VC 8X14X4	1	
80	0401140030	PLUG	2	
90	0211140020	GASKET	2	
210	2521110121	MAIN BEARING COVER CP	1	INCLUDES ITEMS W/ \$
220\$	0440250160	OIL SEAL	1	
230\$	0600250010	BALL BEARINGS 6205C3	1	
250	2274500301	GOVERNOR GEAR COMPL	1	
260	2054190103	GOVERNOR SLEEVE	1	
265\$	0108100020	STUD	2	
270	2686360301	OIL GAUGE CP	1	
280	0213160020	GASKET	1	
294	2521700201	BRACKET CP (M.B.C.)	1	
295	2521700101	SUPPORT (M.B.C)	1	
297	0011308160	BOLT & WASHER ASSY	1	
298	0011308160	BOLT & WASHER ASSY	2	
300	0130060200	BOLT & WASHER ASSY	8	
610	2681310121	CYLINDER HEAD CP	1	INCLUDES ITEMS W/ #
620	2531500133	GASKET, HEAD	1	
630	0110080100	FLANGE BOLT	4	
680	2521550203	ROCKER COVER	1	
690	2691600403	GASKET, ROCKER COVER	2	
700	0310060020	DOWEL PIN	2	
710	0110060170	FLANGE BOLT EY45V	4	
720	2521560120	SPACER ASSY, BREATHER	1	INCLUDES ITEMS W/ *
721*	2521560113	SPACER, BREATHER	1	
722*	2521600103	LEAF VALVE	1	
723*	2521610103	RETAINER PLATE	1	
724*	2521440123	PLATE	1	
725*	0110060150	FLANGE BOLT EH11	2	
726*	0043506120	SCREW & WASHER	1	
830	2681620103	GASKET, BREATHER COVER	1	
850	2521800203	RUBBER PIPE	1	
860	0011306160	BOLT AND WASHER ASSY	2	
900	0566000250	CLAMP	1	
901	0110060020	FLANGE BOLT	1	
960	2539900117	GASKET SET	1	

ROBIN EH-12-2D46420 ENGINE — CRANKSHAFT AND PISTON ASSY.

CRANKSHAFT AND PISTON ASSY.



ROBIN EH-12-2D46420 ENGINE — CRANKSHAFT AND PISTON ASSY.

CRANKSHAFT AND PISTON ASSY.

<u>NO.</u>	<u>PART NO.</u>	<u>PART NAME</u>	<u>QTY.</u>	<u>REMARKS</u>
10	2682190111	CRANKSHAFT CP	1	
40	0230250110	SPACER T=0.6	1	SELECT
40	0230250120	SPACER T=0.8	1	SELECT
40	0230250130	SPACER T=1.0	1	SELECT
50	0021814000	NUT	1	
60	0032014000	SPRING WASHER	1	
70	0323030010	WOODRUFF KEY	1	
80	0053204201	WOODRUFF KEY	1	
105	0173120010	LOCK NUT	1	
310	2522250110	CONNECTING ROD ASSY	1	INCLUDES ITEM W/ *
320*	2362300103	CONNECTING ROD BOLT	2	
350	2682330103	PISTON PIN	1	
360	2682340103	PISTON STD.	1	
360	2682340203	PISTON O.S. 0.25MM	1	
360	2682340203	PISTON O.S. 0.25MM	1	
370	2522350117	PISTON RING SET STD	1	
370	2522350217	PISTON RING SET 0.25 O.S.	1	
370	2522350317	PISTON RING SET 0.50 O.S.	1	
380	2152500403	CLIP	2	

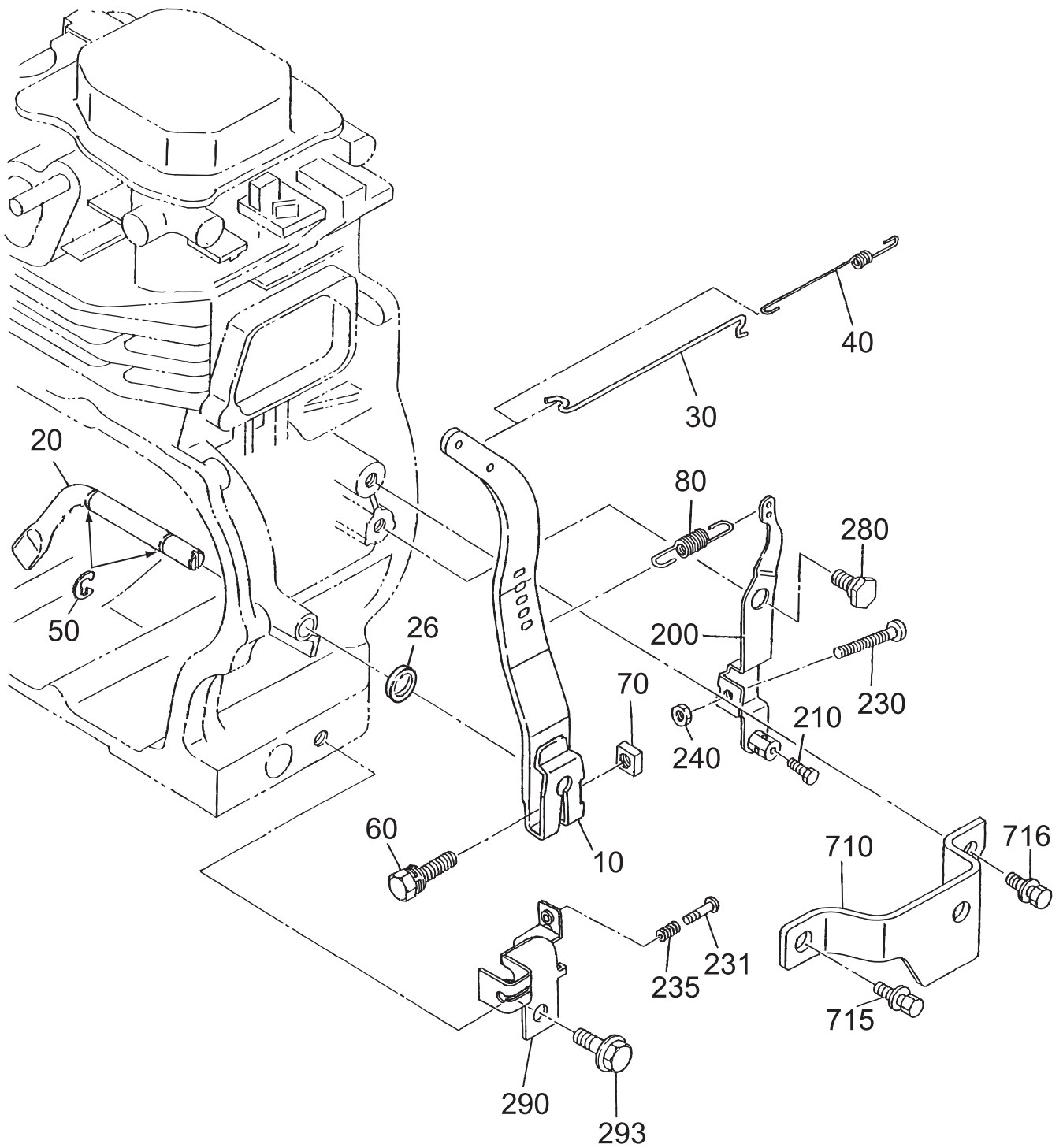
ROBIN EH-12-2D46420 ENGINE—MUFFLER,AIR CLEANER,CAM& CARB. ASSY.

MUFFLER, AIR CLEANER, CAMSHAFT & CARBURETOR ASSY.

<u>NO.</u>	<u>PART NO.</u>	<u>PART NAME</u>	<u>QTY.</u>	<u>REMARKS</u>
10	2533170111	CAMSHAFT CP	1	INCLUDES ITEMS W/ *
34*	2273860123	PIN (SPRING)	1	
35*	2273640113	RELEASE LEVER	1	
36*	0051904100	SPRING PIN	1	
37*	0031522000	SNAP RING	1	
38*	2273870103	RETURN SPRING	1	
50	2393330113	TAPPET	2	
60	2533360103	VALVE SPRING	2	
70	2693370103	SPRING RETAINER	2	
80	2683340103	INTAKE VALVE	1	
90	2683350103	EXHAUST VALVE	1	
95	13210KA031	COLLECT VALVE	4	
210	2683530103	PUSH ROD	2	
220	2693600103	ROCKER ARM	2	
230	2693580103	BOLT, PIVOT	2	
240	0170060090	NUT	2	
260	2693650103	GUIDE PLATE	1	
310	2523040111	MUFFLER CP	1	
330	2523700111	BRACKET CP	1	
340	2533520103	GASKET, MUFFLER	2	
345	2523650103	SPACER, EXHAUST	1	
350	0176080020	SELF-LOCK NUT	2	
365	0011308160	BOLT & WASHER ASSY	2	
366	0011408160	BOLT & WASHER 8 X 16	2	
500	2683300413	INTAKE PIPE CP	1	
505	0105060230	STUD	2	
510	2683271500	AIR CLEANER ASSY	1	INCLUDES ITEMS W/ \$
510-2\$	1063272308	PACKING	1	
520\$	2523260207	ELEMENT, SET	1	
540	2523290103	INSULATOR	1	
550	1066500203	GASKET (CARBURETOR)	1	
551	2373590303	GASKET 2 (INSULATOR)	2	
555	2823590103	GASKET (INSULATOR)	1	
556	0011406400	BOLT AND WASHER ASSY	1	
563	0119060020	BOLT (SOCKET HEAD)	2	
565	2523310221	INTAKE FLANGE	1	INCLUDES ITEM W/ #
567#	0105050060	STUD	2	
570	0176050010	SELF LOCK NUT	2	
577	0200080080	WASHER	1	
580	0011308180	BOLT & WASHER ASSY	1	
585	2683650303	PLATE, AIR CLEANER	2	
590	0023806000	FLANGE NUT	2	
860	0566000250	CLAMP	1	
910	0732005020	LABEL CHOKE	1	

ROBIN EH-12-2D46420 ENGINE — GOVERNOR ASSY.

GOVERNOR ASSY.



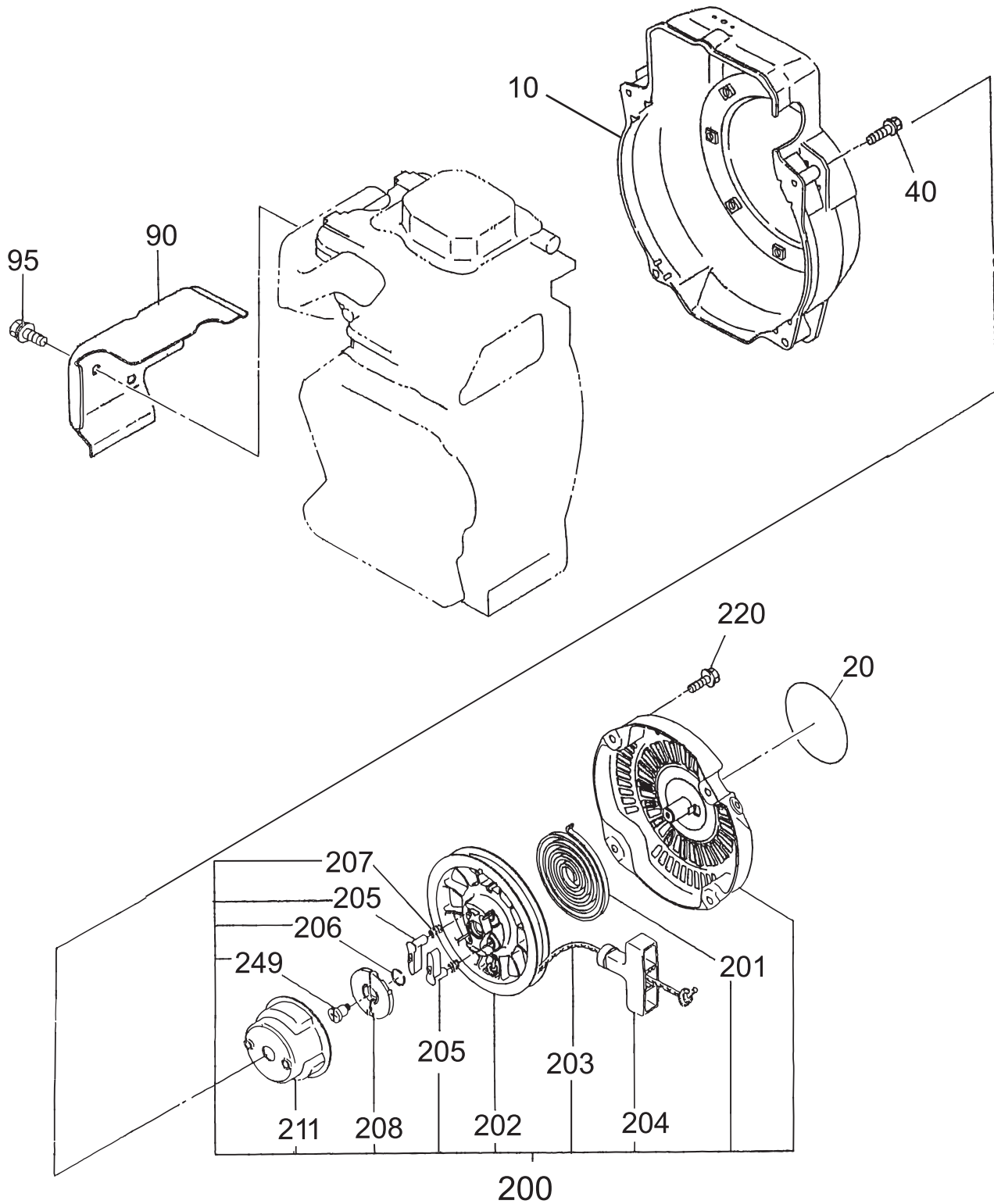
ROBIN EH-12-2D46420 ENGINE — GOVERNOR ASSY.

GOVERNOR ASSY.

<u>NO.</u>	<u>PART NO.</u>	<u>PART NAME</u>	<u>QTY.</u>	<u>REMARKS</u>
10	2524230303	GOVERNOR LEVER CP	1	
20	2264230207	GOVERNOR SHAFT	1	REPLACES 2274220103
26	0031108000	WASHER	1	
30	2544270101	GOVERNOR ROD CP	1	
40	2544280103	ROD SPRING	1	
50	0031306000	CLIP	2	
60	0011406300	BOLT & WASHER ASSY	1	
70	0186060020	NUT	1	
80	2524250323	GOVERNOR SPRING	1	
200	2524340230	SPEED CONTROL ASSY	1	
210	0116040030	BOLT	1	
230	0043105250	SCREW, PANHEAD	1	
231	0043104250	SCREW	1	
235	2684500113	CONTROL SPRING	1	
240	0021705000	NUT	1	
250	2054600323	CONTROL SPRING	1	
280	2264310101	LINK PIVOT	1	
290	2524420213	WIRE BRACKET	1	
293	0110060030	FLANGE BOLT	1	
710	2524280111	PROTECTOR CP, GOVERNOR	1	
715	0011308160	BOLT & WASHER ASSY	1	
716	0110060030	FLANGE BOLT	1	

ROBIN EH-12-2D46420 ENGINE — RECOIL STARTER AND BLOWER ASSY.

RECOIL STARTER AND BLOWER ASSY.



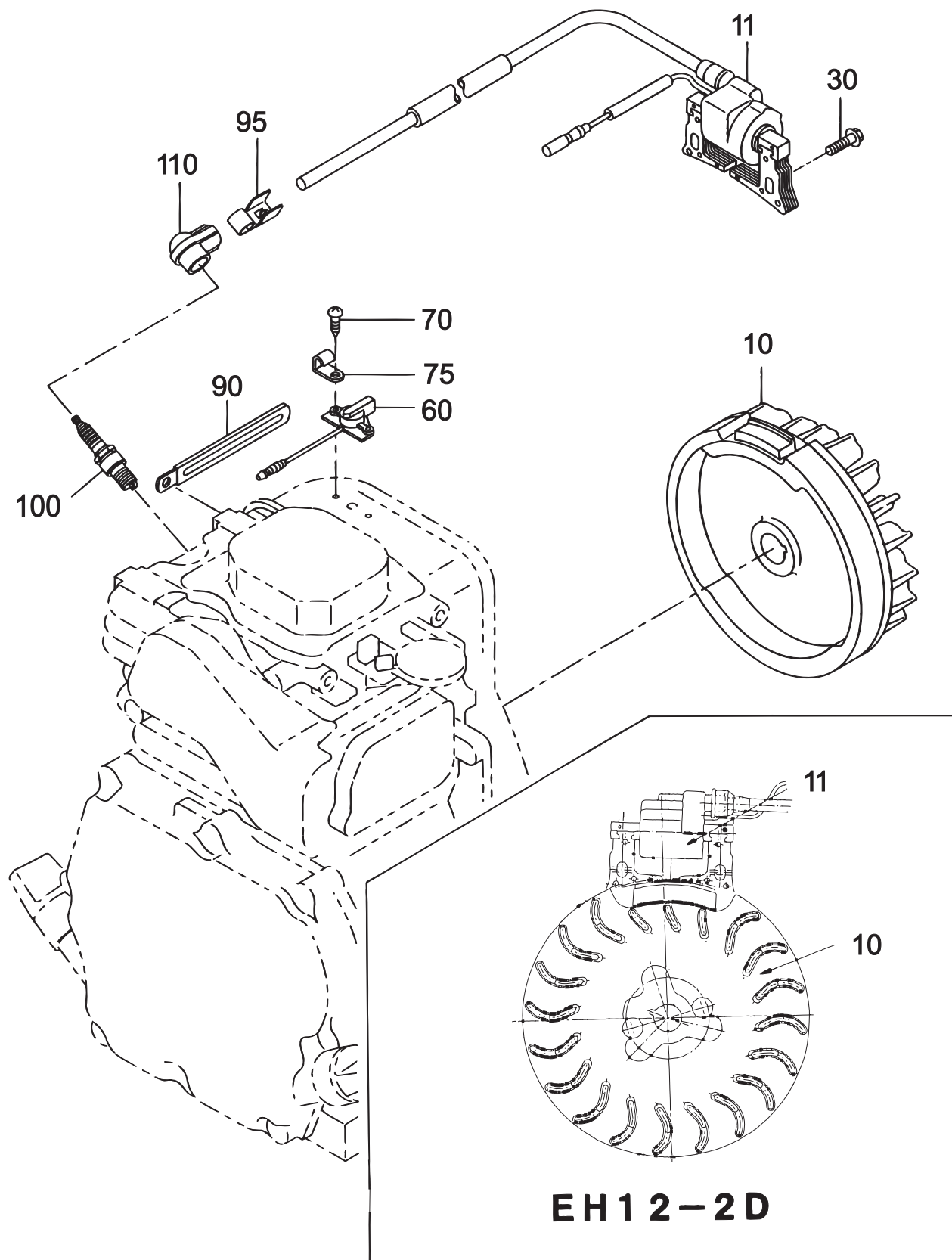
ROBIN EH-12-2D46420 ENGINE — RECOIL STARTER AND BLOWER ASSY.

RECOIL STARTER AND BLOWER ASSY.

<u>NO.</u>	<u>PART NO.</u>	<u>PART NAME</u>	<u>QTY.</u>	<u>REMARKS</u>
10	2525165221	BLOWER HOUSING CP 2	1	
20	920100240	DECAL, M-MARK	1	
40	0011406550	BOLT & WASHER ASSY	4	
90	2685270303	HEAD COVER	1	
95	0110060140	FLANGE BOLT	2	
200	2685020130	RECOIL STARTER ASSY	1	INCLUDES ITEMS W/ *
201*	2705011508	SPIRAL SPRING	1	
202*	2695012008	REEL	1	
203*	2825011118	STARTER ROPE	1	
204*	2615010008	STARTER KNOB	1	
205*	2705012508	RATCHET	2	
206*	2275013108	FRICITION SPRING	1	
207*	2275013508	RETURN SPRING	2	
208*	2705026108	RATCHET GUIDE	1	
211*	2685014518	STARTER PULLEY	1	
220	0110060010	FLANGE BOLT	4	
249*	2275015208	SET SCREW	1	

ROBIN EH-12-2D46420 ENGINE — MAGNETO ASSY.

MAGNETO ASSY.



ROBIN EH-12-2D46420 ENGINE — MAGNETO ASSY.

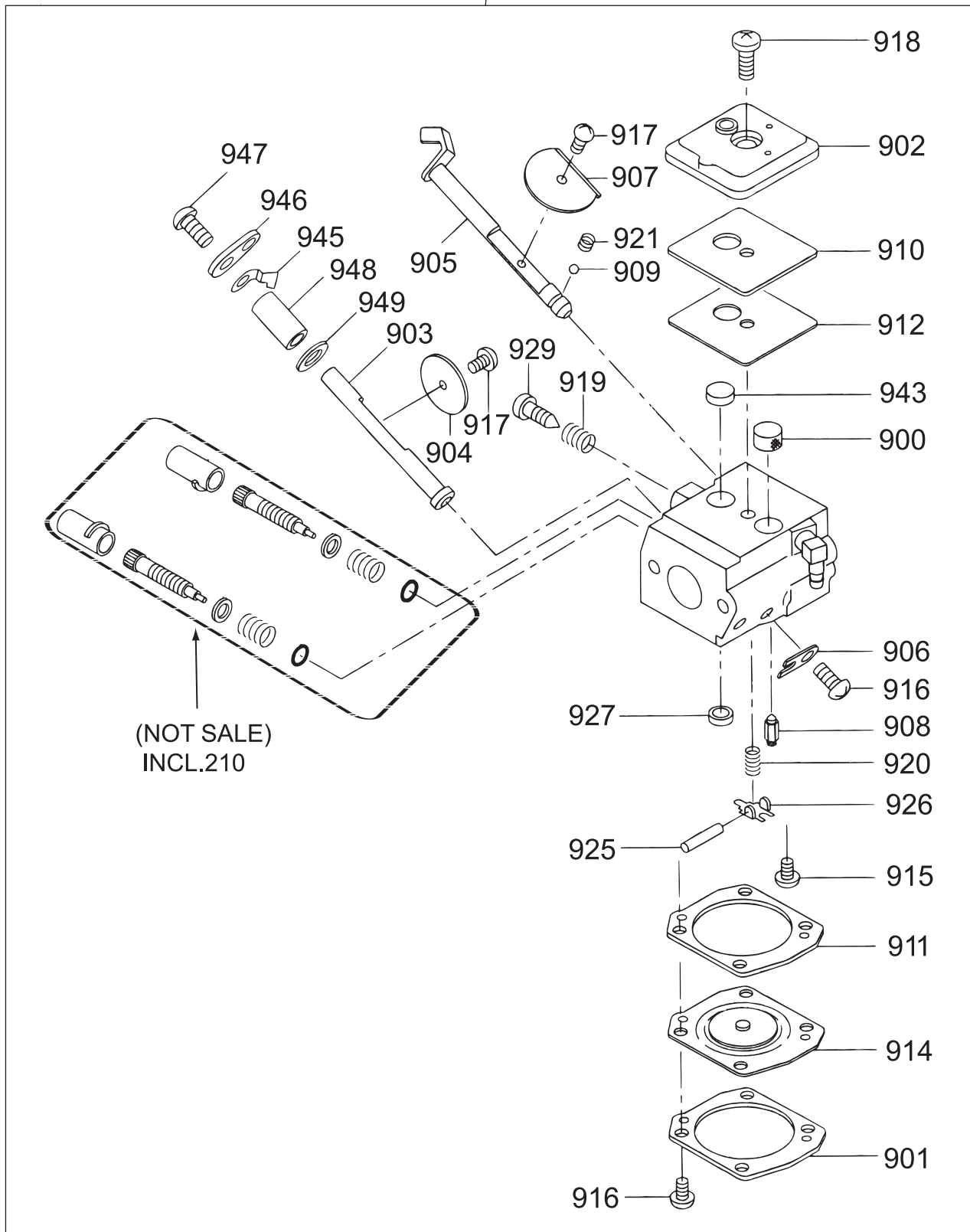
MAGNETO ASSY.

<u>NO</u>	<u>PART NO</u>	<u>PART NAME</u>	<u>QTY.</u>	<u>REMARKS</u>
10	2687933201	FLYWHEEL CP	1	
11	2697943011	IGNITION COIL CP	1	
30	0011406250	BOLT & WASHER ASSY	2	
60	0660000371	STOP SWITCH ASSY (ON-OFF)	1	
70	0150040090	TAPPING SCREW	2	
75	0566030010	CLAMP	1	
90	0566000250	CLAMP	1	
95	0659000010	SPARK PLUG CLIP	1	
100	0650140580	SPARK PLUG, BR6ES	1	
110	2307510113	SPARK PLUG CAP	1	

ROBIN EH-12-2D46420 ENGINE — CARBURETOR ASSY.

CARBURETOR ASSY.

210 252-62570-00



ROBIN EH-12-2D46420 ENGINE — CARBURETOR ASSY.

CARBURETOR ASSY.

<u>NO</u>	<u>PART NO</u>	<u>PART NAME</u>	<u>QTY.</u>	<u>REMARKS</u>
210	2526257000	CARBURETOR ASSY.	1	INCLUDES ITEMS W/ *
900*	5016004010	SCREEN INLET	1	
901*	2526260508	COVER, METALLING DIAPHRAGM	1	
902*	2526260408	COVER PUMP	1	
903*	2526261208	THROTTLE SHAFT	1	
904*	1616233508	VALVE THROTTLE	1	
905*	2846260308	SHAFT ASSY CHOKE	1	
906*	5106045040	CLIP	1	
907*	2846260408	VALVE, CHOKE	1	
908*	1616255208	VALVE, INLET NEEDLE	1	
909*	1476258408	BALL	1	
910*	1616238008	GASKET PLUG	1	
911*	1616238108	GASKET, METALLING DIAPHRAGM	1	
912*	2526261008	DIAPHRAGM PUMP	1	
914*	1616238308	DIAPHRAGM ASSY, METALLING	1	
915*	1066257508	SCREW	1	
916*	1066257608	SCREW ASSY	5	
917*	1476257308	SCREW	2	
918*	2846260008	SCREW	1	
919*	1616245408	SPRING, IDLE ADJUST	1	
920*	1616245108	SPRING, METALLING LEVER	1	
921*	1476258308	SPRING, CHOKE	1	
925*	1616236808	PIN, METALLING LEVER	1	
926*	1616236908	LEVER, METALLING	1	
927*	1476257508	PLUG	1	
929*	1616238508	SCREW, IDLE ADJUST	1	
943*	2526261108	SPRING PUMP	1	
945*	1616255108	STOPPER, THROTTLE	1	
946*	2526260308	LEVER, THROTTLE	1	
947*	1616255308	SCREW VALVE	2	
948*	2526260208	SPACER, THROTTLE LEVER	1	
949*	2526260108	WASHER	1	