

PARTS MANUAL



 ***Mikasa* SERIES**
MODEL MT77HFR
TAMPING RAMMER
(HONDA GXR120RT-KRB6 GASOLINE ENGINE)

Revision # 1 (07/08/20)

THIS MANUAL MUST ACCOMPANY THE EQUIPMENT AT ALL TIMES.

TABLE OF CONTENTS

MT77HFR Rammer

Explanation Of Code In Remarks Column.....	4
Suggested Spare Parts	5

Rammer Component Drawings

Nameplate And Decals Assembly	6-7
Crankcase And Engine Assembly	8-11
Guide Cylinder And Spring Assembly	12-13
Foot Assembly	14-15
Fuel Tank And Handle Assembly.....	16-17

Honda GXR120RTKRB6 Engine Component Drawings

Cylinder Barrel Assembly	18-19
Crankcase Cover Assembly	20-21
Crankshaft Assembly.....	22-23
Piston And Connecting Rod Assembly.....	24-25
Camshaft Pulley Assembly.....	26-27
Recoil Starter Assembly	28-29
Fan Cover Assembly.....	30-31
Carburetor Assembly	32-33
Air Cleaner Assembly	34-35
Muffler Assembly	36-37
Flywheel Ignition Assembly	38-39
Control Assembly	40-41
Labels Assembly	42-43

NOTICE

Specifications and part numbers are subject to change without notice.

EXPLANATION OF CODE IN REMARKS COLUMN

The following section explains the different symbols and remarks used in the Parts section of this manual. Use the help numbers found on the back page of the manual if there are any questions.

NOTICE

The contents and part numbers listed in the parts section are subject to change **without notice**. Multiquip does not guarantee the availability of the parts listed.

SAMPLE PARTS LIST

NO.	PART NO.	PART NAME	QTY.	REMARKS
1	12345	BOLT	1	INCLUDES ITEMS W/%
2%		WASHER, 1/4 IN.		NOT SOLD SEPARATELY
2%	12347	WASHER, 3/8 IN. ...	1	MQ-45T ONLY
3	12348	HOSE	A/R	MAKE LOCALLY
4	12349	BEARING	1	S/N 2345B AND ABOVE

NO. Column

Unique Symbols — All items with same unique symbol (@, #, +, %, or >) in the number column belong to the same assembly or kit, which is indicated by a note in the “Remarks” column.

Duplicate Item Numbers — Duplicate numbers indicate multiple part numbers, which are in effect for the same general item, such as different size saw blade guards in use or a part that has been updated on newer versions of the same machine.

NOTICE

When ordering a part that has more than one item number listed, check the remarks column for help in determining the proper part to order.

PART NO. Column

Numbers Used — Part numbers can be indicated by a number, a blank entry, or TBD.

TBD (To Be Determined) is generally used to show a part that has not been assigned a formal part number at the time of publication.

A blank entry generally indicates that the item is not sold separately or is not sold by Multiquip. Other entries will be clarified in the “Remarks” Column.

QTY. Column

Numbers Used — Item quantity can be indicated by a number, a blank entry, or A/R.

A/R (As Required) is generally used for hoses or other parts that are sold in bulk and cut to length.

A blank entry generally indicates that the item is not sold separately. Other entries will be clarified in the “Remarks” Column.

REMARKS Column

Some of the most common notes found in the “Remarks” Column are listed below. Other additional notes needed to describe the item can also be shown.

Assembly/Kit — All items on the parts list with the same unique symbol will be included when this item is purchased.

Indicated by:

“INCLUDES ITEMS W/(unique symbol)”

Serial Number Break — Used to list an effective serial number range where a particular part is used.

Indicated by:

“S/N XXXXX AND BELOW”

“S/N XXXX AND ABOVE”

“S/N XXXX TO S/N XXX”

Specific Model Number Use — Indicates that the part is used only with the specific model number or model number variant listed. It can also be used to show a part is NOT used on a specific model or model number variant.

Indicated by:

“XXXXX ONLY”

“NOT USED ON XXXX”

“Make/Obtain Locally” — Indicates that the part can be purchased at any hardware shop or made out of available items. Examples include battery cables, shims, and certain washers and nuts.

“Not Sold Separately” — Indicates that an item cannot be purchased as a separate item and is either part of an assembly/kit that can be purchased, or is not available for sale through Multiquip.

SUGGESTED SPARE PARTS

MT77HFR TAMPING RAMMER WITH HONDA GXR120RT-KRB6 GASOLINE ENGINE

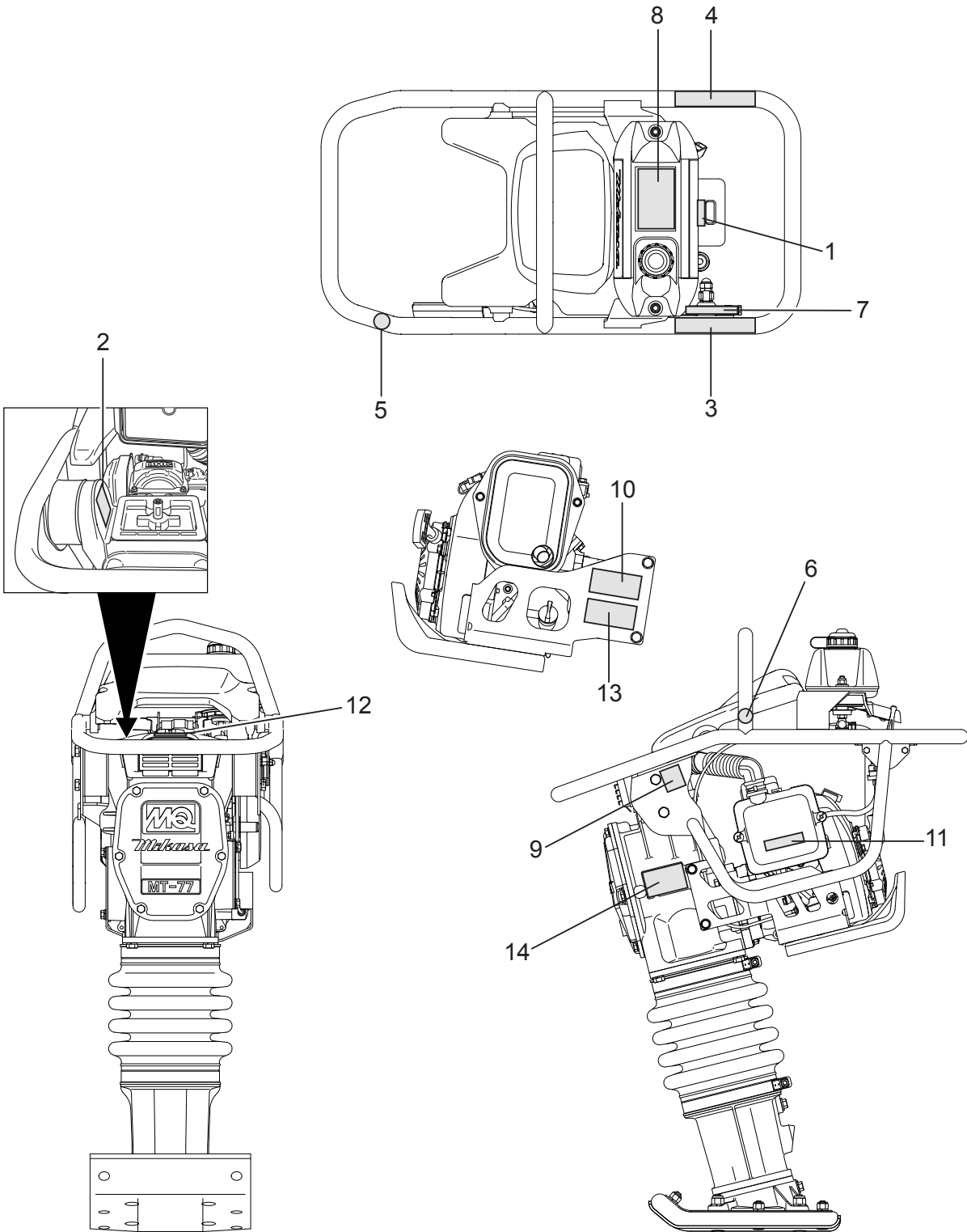
1 to 3 units

Qty.	P/N	Description
1.....	956100048.....	THROTTLE WIRE
3.....	374010100.....	ELEMENT, AIR CLEANER
1.....	361910070.....	CAP ASSEMBLY, FUEL TANK
2.....	16910GB2005	FUEL FILTER
3.....	9805655777.....	SPARK, PLUG
1.....	954406010.....	STRAINER, FUEL TANK
1.....	28462Z0DV03.....	ROPE, RECOIL STARTER
1.....	366348550.....	CLUTCH ASSEMBLY

NOTICE

Part numbers on this Suggested Spare Parts list may supersede/replace the part numbers shown in the following parts lists.

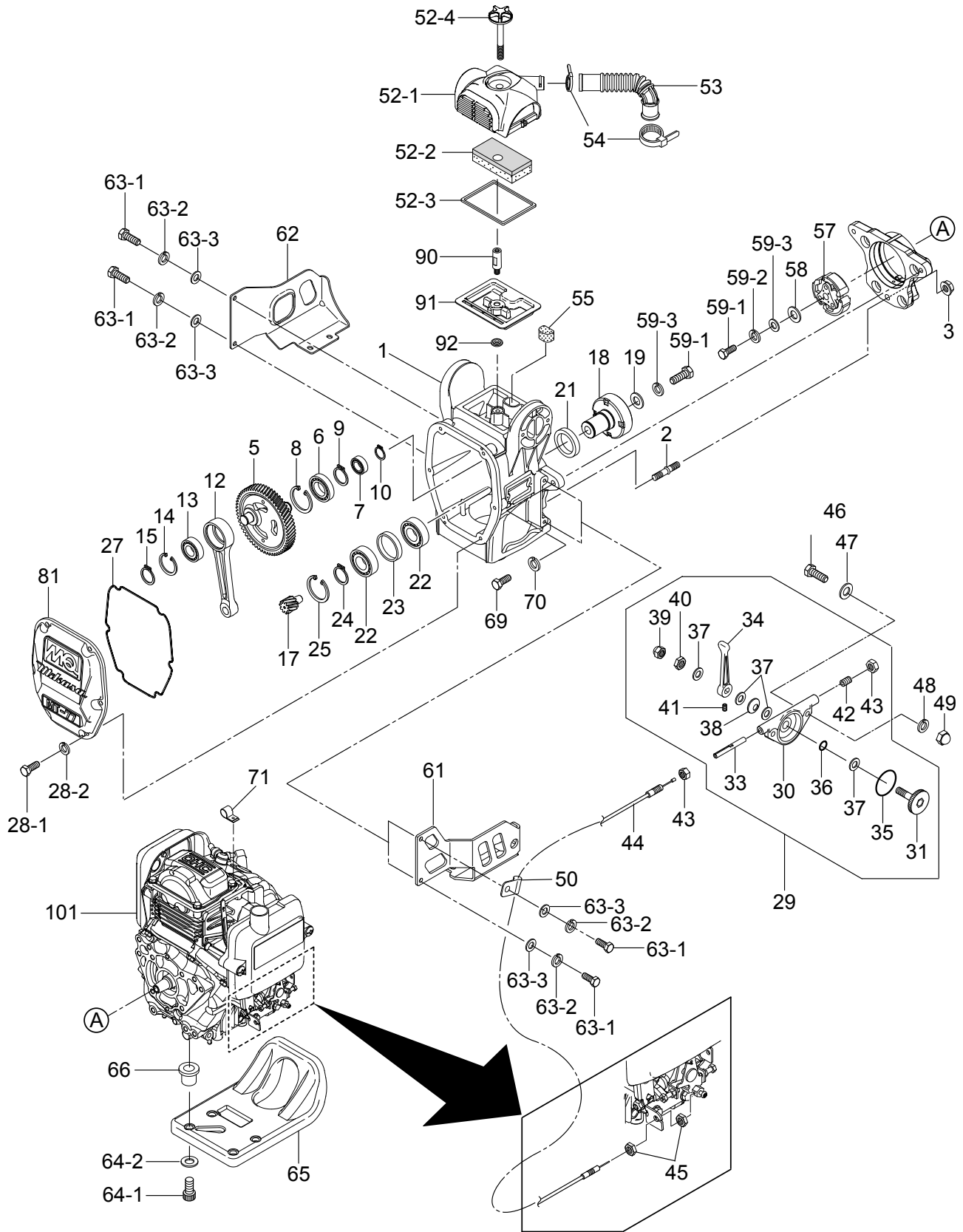
NAMEPLATE AND DECALS ASSY.



NAMEPLATE AND DECALS ASSY.

<u>NO.</u>	<u>PART NO.</u>	<u>PART NAME</u>	<u>QTY.</u>	<u>REMARKS</u>
1	920220690	DECAL; E/G RPM/MT-66	1	
2	920220640	DECAL; CLEANING ELEMENT	1	
3	920220650	DECAL; CAUTIONS 4/SET	1	
4	920220660	DECAL; CAUTIONS 6/SET	1	
5	920900090	DECAL; SET/MVC-MCD/EXPEU	1	
6	920900090	DECAL; SET/MVC-MCD/EXPEU	1	
7	920219730	DECAL; LEVER OPERATION/MCG	1	
8	920220670	DECAL; OPERATION/7LANG	1	
9	920210310	DECAL; EC NOISE REQ.LWA107	1	
10	920218770	DECAL; E/G FIRE WARNING	1	
11	920220680	DECAL; ENGINE CLEANER/MQ	1	
12	920220280	DECAL; CHECK DAILY(FILTER)	1	
13	920214140	DECAL; WARNING/NON-EPA	1	
14		PLATE; SERIAL NO	1.....	CONTACT MQ PARTS DEPT.

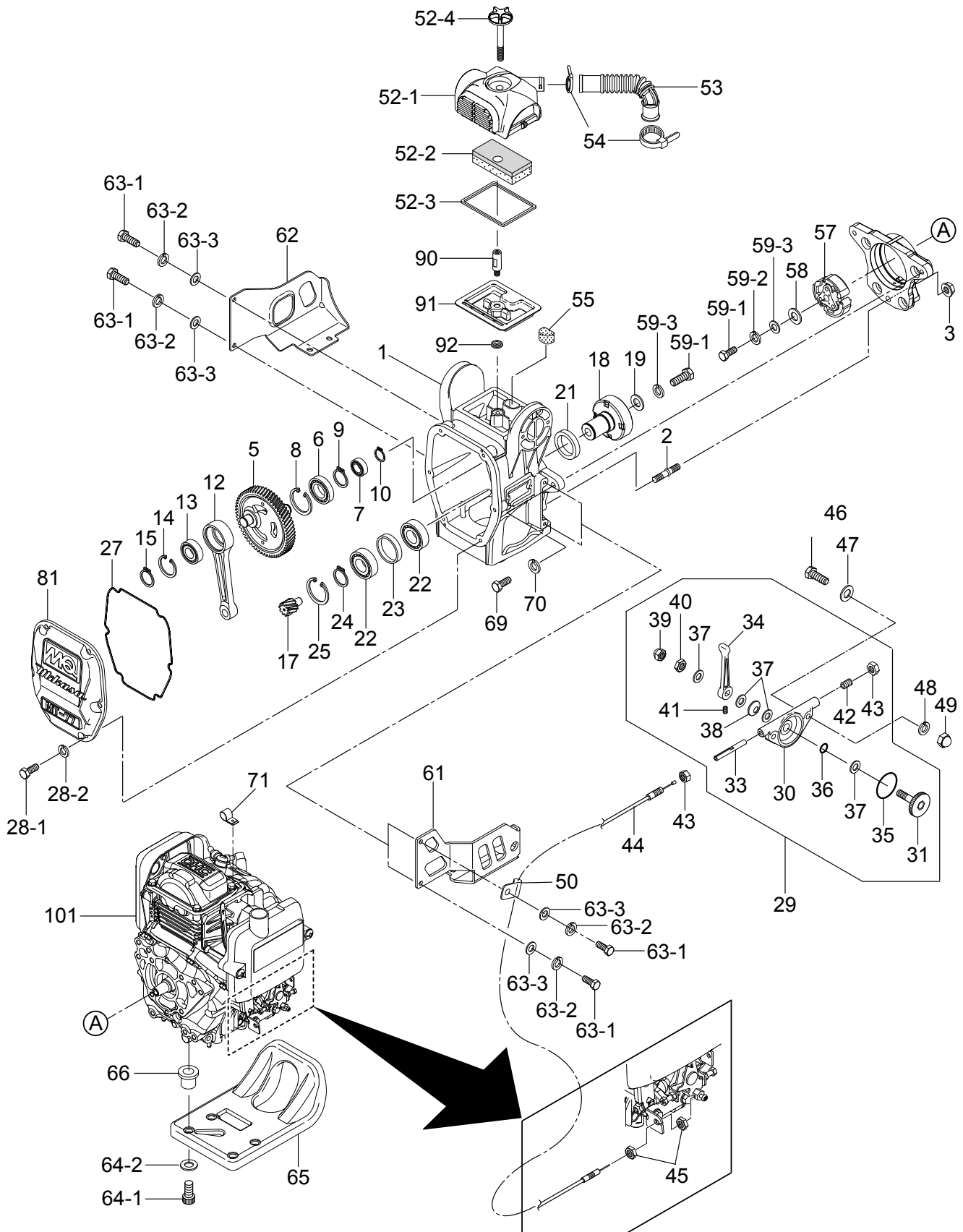
CRANKCASE AND ENGINE ASSY.



CRANKCASE AND ENGINE ASSY.

<u>NO.</u>	<u>PART NO.</u>	<u>PART NAME</u>	<u>QTY.</u>	<u>REMARKS</u>
1	374121560	CRANKCASE	1	
2	009120204	STUD BOLT, 10X50X21	1	
3	022611010	FLANGE NUT M10	1	
5	374350260	CRANK GEAR	1	
6	040006207	BEARING 6207	1	
7	0600200020	BEARING 6204.....	1.....	REPLACES P/N 040006204
8	080100720	STOP RING	1	
9	080200350	STOP RING	1	
10	080200200	STOP RING	1	
12	371334730	CONNECTING ROD	1	
13	040006304	BEARING 6304	1	
14	080100520	STOP RING	1	
15	080200200	STOP RING	1	
17	374468020	PINION	1	
18	374350270	CLUTCH DRUM	1	
19	952401450	WASHER, 8.5X22X3	1	
21	060404010	OIL SEAL	1	
22	041006007	BEARING 6007Z	2	
23	374468030	BEARING SPACER	1	
24	080200350	STOP RING	1	
25	080100620	STOP RING	1	
27	374353300	PACKING, FRONT COVER	1	
28-1	011208025	BOLT, 8X25.....	6.....	REPLACES P/N 001220825
28-2	030208200	WASHER, LOCK M8	6	
29	362910060	THROTTLE LEVER ASSEMBLY	1.....	INCLUDES ITEMS W/\$
30\$	362341550	THROTTLE BODY	1	
31\$	362456521	THROTTLE GEAR	1	
33\$	362455620	SLIDER	1	
34\$	362455630	THROTTLE LEVER	1	
35\$	050100450	O-RING	1	
36\$	050200100	O-RING	1	
37\$	031110160	WASHER, FLAT M10	4	
38\$	032210220	CONICAL LOCK WASHER, M10	1	
39\$	022131008	CAP NUT M10	1	
40\$	020310080	NUT M10.....	1.....	REPLACES P/N 020410060
41\$	096206006	SOCKET HEAD SCREW, 6X6	1	
42\$	014208020	SOCKET HEAD SCREW, 8X20.....	1.....	REPLACES P/N 096208020
43\$	020408050	NUT M8	2	
44	956100048	THROTTLE WIRE	1	
45	020406040	NUT M6	2	
46	011206020	BOLT, 6X20.....	2.....	REPLACES P/N 001220620
47	952404470	WASHER, FLAT M6.....	2.....	REPLACES P/N 031106100
48	030206150	WASHER, LOCK M6	2	
49	022130605	CAP NUT M6	2	
50	959006120	CLIP	1	

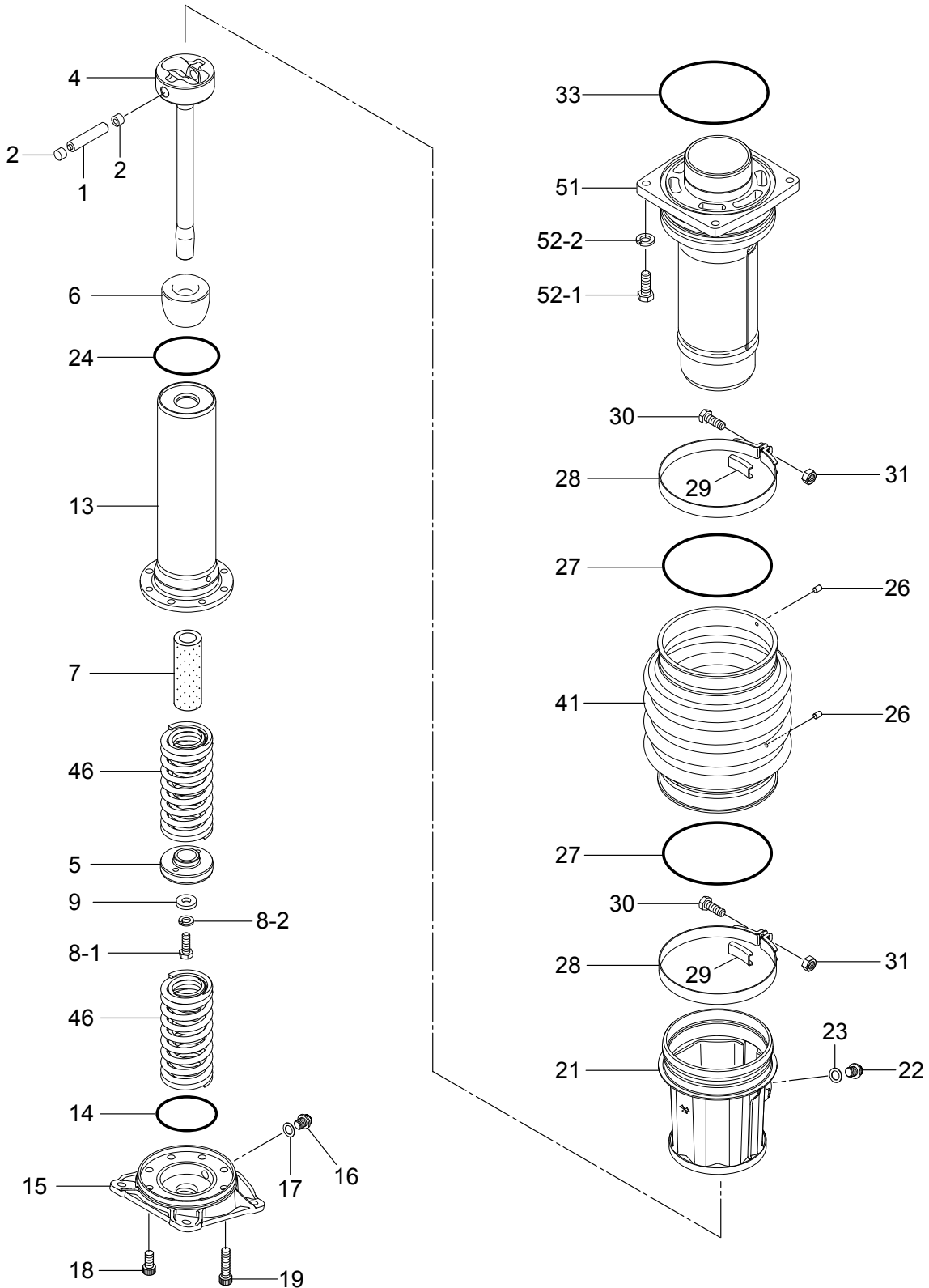
CRANKCASE AND ENGINE ASSY. (CONT'D.)



CRANKCASE AND ENGINE ASSY. (CONT'D.)

<u>NO.</u>	<u>PART NO.</u>	<u>PART NAME</u>	<u>QTY.</u>	<u>REMARKS</u>
52-1	374010050	COVER, AIR CLEANER	1	
52-2	374010100	ELEMENT, AIR CLEANER	1	
52-3	374010060	PACKING, AIR CLEANER	1	
52-4	374010110	GRIP BOLT, CLEANER	1	
53	353342400	INTAKE PIPE	1	
54	507010110A	CLAMP.....	2.....	REPLACES P/N 507010110
55	362456610	ELEMENT/BREATHER	1	
57	366348550	CLUTCH ASSEMBLY	1	
58	952401450	WASHER, 8.5X22X3	1	
59-1	011208025	BOLT, 8X25.....	2.....	REPLACES P/N 001220825
59-2	0401450080	WASHER, FLAT M8.....	1.....	REPLACES P/N 031108160
59-3	030208200	WASHER, LOCK M8	2	
61	363342520	LINK PROTECTOR	1	
62	363342530	MUFFLER PROTECTOR	1	
63-1	014208020	BOLT, 8X20.....	4.....	REPLACES P/N 001220820
63-2	0401450080	WASHER, FLAT M8.....	4.....	REPLACES P/N 031108160
63-3	030208200	WASHER, LOCK M8	4	
64-1	001520835	SOCKET HEAD BOLT, 8X35	4	
64-2	033910220	WASHER, 8.4X15.5X1.6	4	
65	374219630	GUARD, RECOIL STARTER	1	
66	366461050	COLLAR/GUARD	4	
69	0105051040	BOLT, 10X40.....	2.....	REPLACES P/N 001111040
70	030210250	WASHER, LOCK M10	2	
71	2067550101	CLAMP	1	
81	374010040	FRONT COVER	1	
90	374010070	CLEANER BOLT	1	
91	374010080	BASE, AIR CLEANER	1	
92	374010090	WASHER, STEPPED/CLEANER	1	
101	912212102	ENGINE ASSEMBLY, GXR120RTKRB6	1	

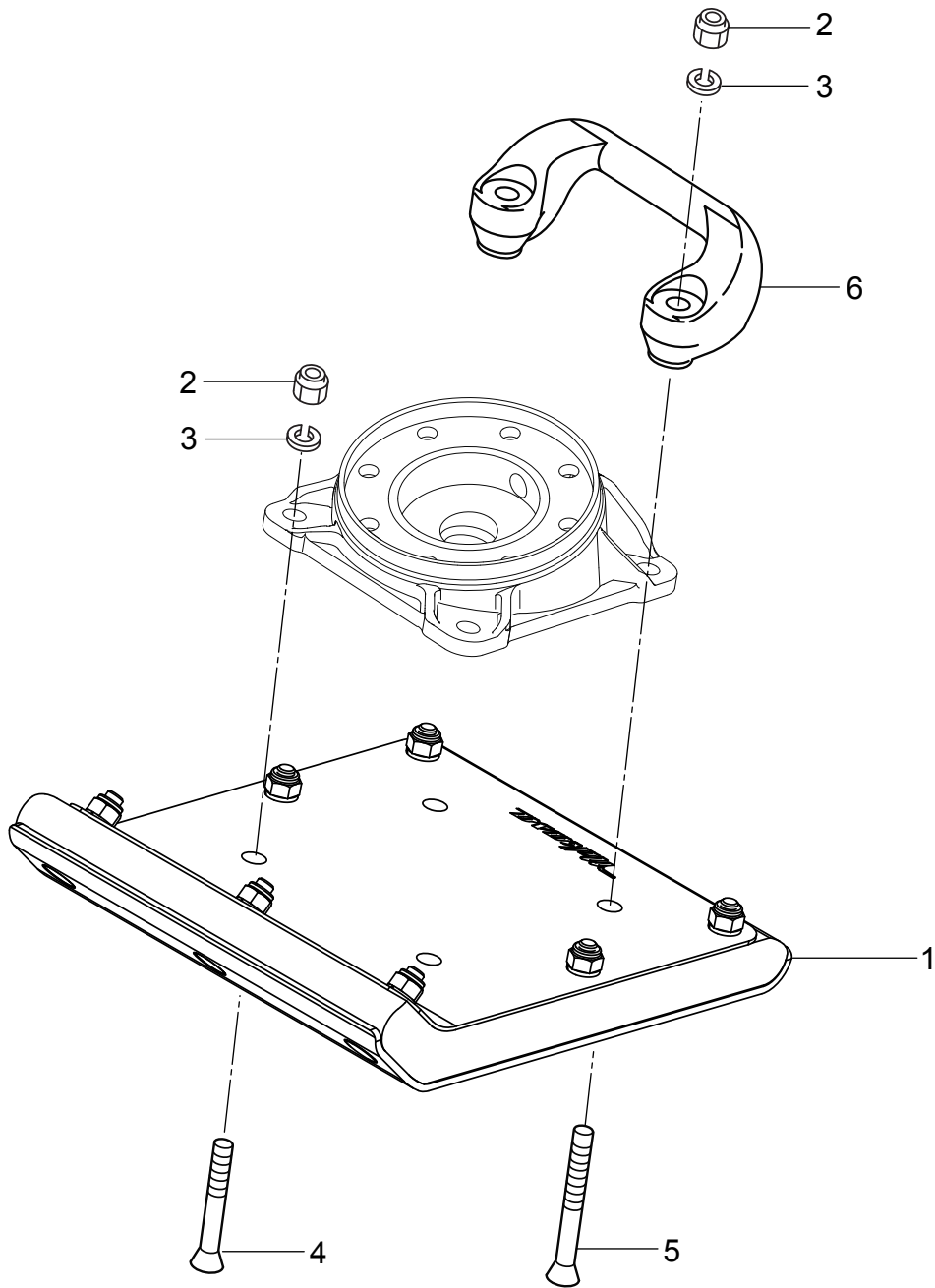
GUIDE CYLINDER AND SPRING ASSY.



GUIDE CYLINDER AND SPRING ASSY.

<u>NO.</u>	<u>PART NO.</u>	<u>PART NAME</u>	<u>QTY.</u>	<u>REMARKS</u>
1	366900080	PISTON PIN.....	1.....	REPLACES P/N 366460100
2	366459910	PLUG, PISTON PIN	2	
4	374353310	PISTON ROD	1	
5	371459690	PISTON END	1	
6	355447250	STOPPER, UPPER	1	
7	355447260	STOPPER, LOWER	1	
8-1	001121230	BOLT 12X30	1	
8-2	030212300	WASHER, LOCK M12	1	
9	952404790	WASHER	1	
13	366345990	SPRING CYLINDER	1	
14	050100900	O-RING	1	
15	355214140	FOOT PLATE	1	
16	953405270	PLUG	1	
17	953405260	PACKING	1	
18	014210020	SOCKET HEAD BOLT 10X20.....	4.....	REPLACES P/N 001521020
19	014210040	SOCKET HEAD BOLT 10X40.....	4.....	REPLACES P/N 001521040
21	355119020	SLEEVE	1	
22	953405270	PLUG	1	
23	953405260	PACKING	1	
24	050200950	O-RING	1	
26	354446170	PIN	2	
27	050931500	O-RING	2	
28	354336352	BELLOWS CLAMP	2	
29	354442340	BAND GUIDE, BELLOWS	2	
30	011008040	BOLT 8X40.....	2.....	REPLACES P/N 001220840
31	020108060	NUT M8.....	2.....	REPLACES P/N 020308060
33	050201500	O-RING	1	
41	354010010	BELLOWS, ORANGE	1	
46	374469820	MAIN SPRING	2	
51	374219410	GUIDE CYLINDER	1	
52-1	012210040	BOLT 10X40.....	4.....	REPLACES P/N 001221040
52-2	030210250	WASHER, LOCK M10	4	

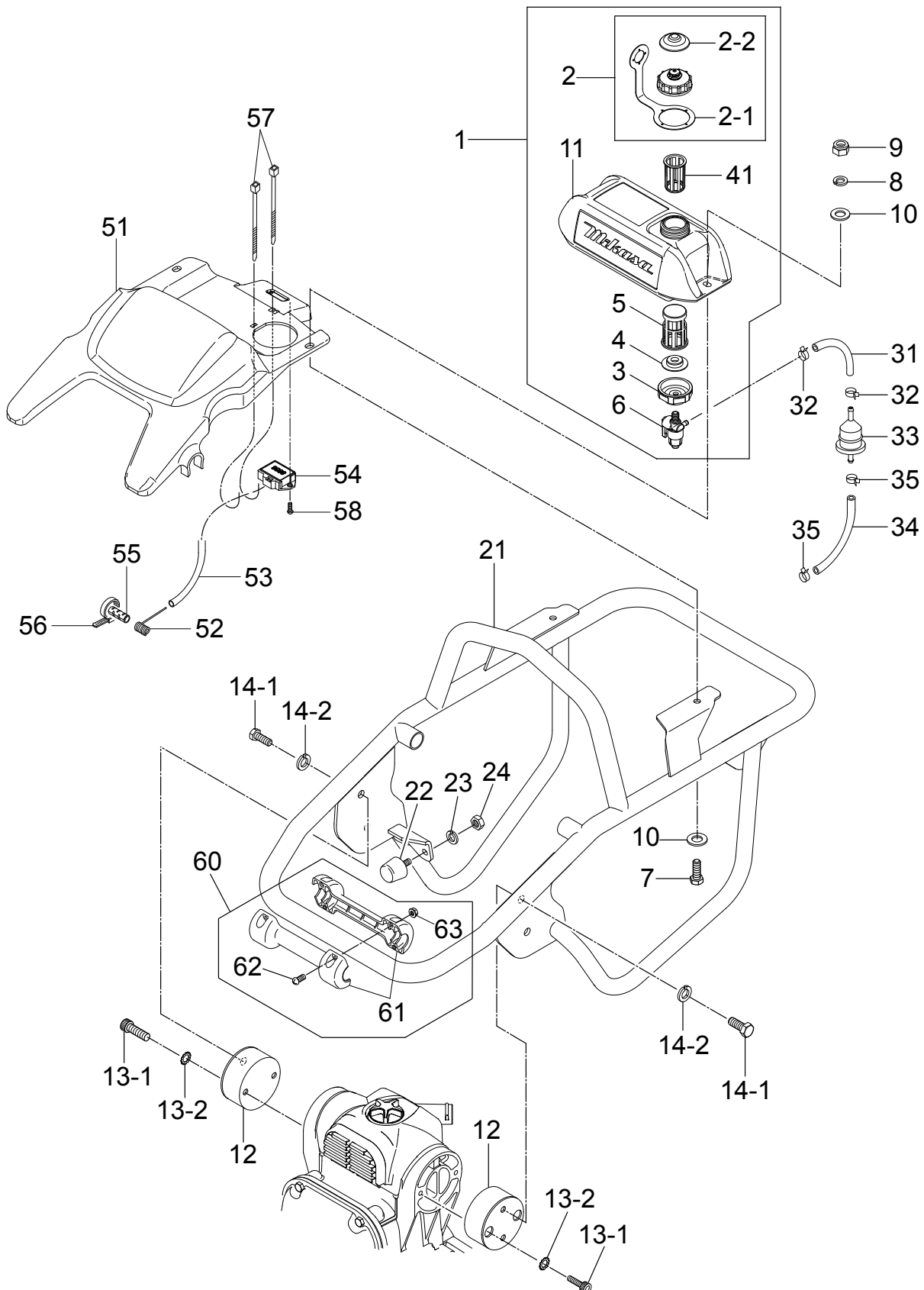
FOOT ASSY.



FOOT ASSY.

<u>NO.</u>	<u>PART NO.</u>	<u>PART NAME</u>	<u>QTY.</u>	<u>REMARKS</u>
1	8511S	FOOT ASSEMBLY	1.....	REPLACES P/N 366910020
2	021112140	NYLON NUT M12	4.....	REPLACES P/N 022711214
3	030212300	WASHER, LOCK M12	4	
4	009110034	BOLT, SQUARE NECK 12X65	2	
5	009110035	BOLT, SQUARE NECK 12X95	2	
6	363343390	GRIP HANDLEBAR	1	

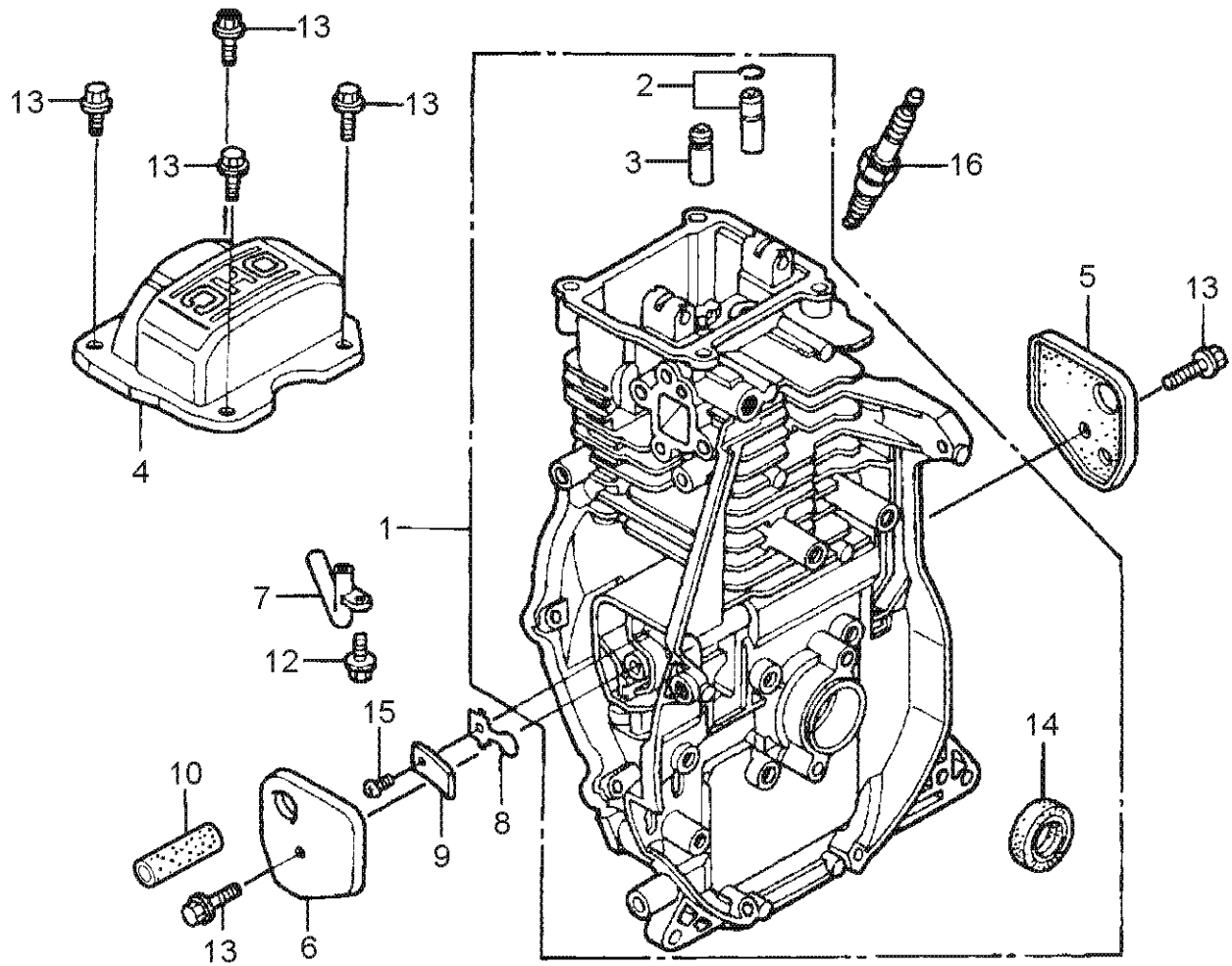
FUEL TANK AND HANDLE ASSY.



FUEL TANK AND HANDLE ASSY.

<u>NO.</u>	<u>PART NO.</u>	<u>PART NAME</u>	<u>QTY.</u>	<u>REMARKS</u>
1	305910037	FUEL TANK ASSEMBLY	1.....	INCLUDES ITEMS W/#
2#	361910070	CAP ASSEMBLY, FUEL TANK ORANGE	1.....	INCLUDES ITEMS W/\$ REPLACES P/N 361910021
2-1#\$	353449010	STRAP, OIL TANK	1	
2-2#\$	362458350	SUB CAP, BLACK	1	
3#	351437785	HOLDER, COCK	1	
4#	954406020	PACKING, FUEL TANK	1	
5#	954406010	STRAINER, FUEL TANK	1	
6#	954300720	FUEL COCK ASSEMBLY	1	
7	011008040	BOLT 8X40.....	2.....	REPLACES P/N 001220840
8	030208200	WASHER, LOCK M8	2	
9	022710809	NYLON NUT M8	2	
10	952401450	WASHER 8.5X22X3	4	
11#	363218260	FUEL TANK	1	
12	351337070	SHOCK ABSORBER	2	
13-1	014210020	SOCKET HEAD BOLT 10X20.....	4.....	REPLACES P/N 001521020
13-2	033121009	TOOTHED LOCK WASHER B M10	4	
14-1	012210020	BOLT 10X20.....	4.....	REPLACES P/N 001221020
14-2	030210250	WASHER, LOCK M10	4	
21	374121590	HANDLE	1	
22	939010270	STOPPER RUBBER	1	
23	030208200	WASHER, LOCK M8	1	
24	020108060	NUT M8.....	1.....	REPLACES P/N 020308060
31	959028625	FUEL HOSE	1	
32	954406420	HOSE BAND	2	
33	16910GB2005	FUEL FILTER	1	
34	959028626	FUEL HOSE	1	
35	954406420	HOSE BAND	2	
41#	954407840	STRAINER	1	
51	374121970	TOP COVER	1	
52	955010309	CURL CORD	1	
53	959026827	RUBBER TUBE	1	
54	955010311	TP-22 TACHO/HOUR METER	1	
55	955010307	CLIP BELT	1	
56	454010020	CLAMP	1	
57	507010110A	CLAMP.....	2.....	REPLACES P/N 507010110
58	009110045	PAN HEAD SCREW 5X15	2	
60	366910030	ROLLER ASSEMBLY, W/SCREW.....	1.....	INCLUDES ITEMS W/&
61&	366217170	ROLLER	2	
62&	0017105020	SCREW 5X20	4.....	REPLACES P/N 091005020
63&	022610505	FLANGE NUT M5	4	

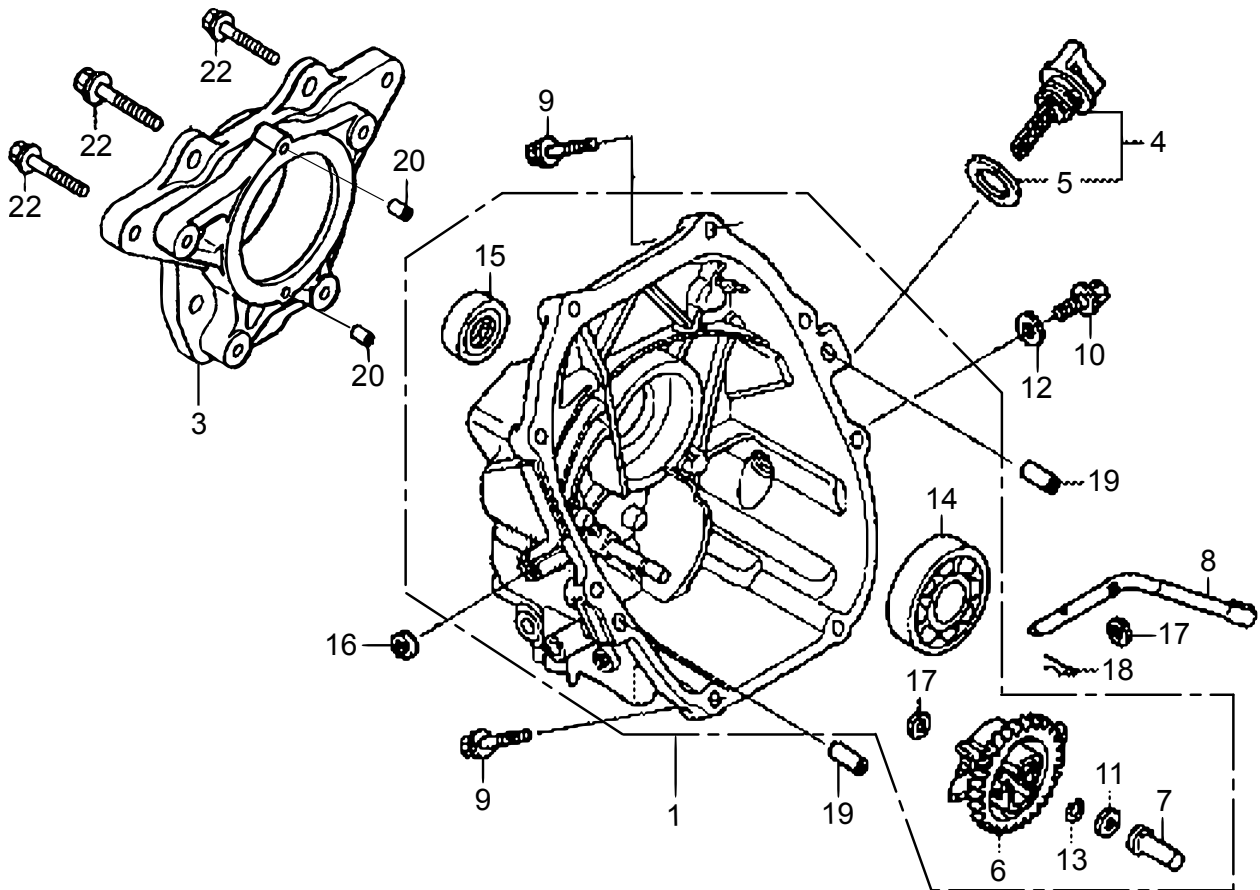
HONDA GXR120RTKRB6 ENGINE — CYLINDER BARREL ASSY.



HONDA GXR120RTKRB6 ENGINE — CYLINDER BARREL ASSY.

<u>NO.</u>	<u>PART NO.</u>	<u>PART NAME</u>	<u>QTY.</u>	<u>REMARKS</u>
1	12000ZDJ305	BARREL ASSEMBLY, CYLINDER.....	1.....	INCLUDES ITEMS W/#
2#	12201Z0D305	GUIDE ASSEMBLY, EX. VALVE (O.S.)	1	
3#	12204Z0D305	GUIDE, IN. VALVE (O.S.)	1	
4	12311Z0D000	COVER, HEAD	1	
5	12355Z0D000	COVER COMPLETE A, BREATHER	1	
6	12365Z0D000	COVER COMPLETE B, BREATHER	1	
7	15171Z0DV00	PIPE, BREATHER	1	
8	15571Z0DV71	VALVE, OIL OUTLET	1	
9	15572ZM7000	PLATE, STOPPER	1	
10	15721Z0D000	TUBE, BREATHER	1	
12	90008ZM7000	BOLT, 4X10	1	
13	90014952000	BOLT, FLANGE, 6X14	6	
14#	91202ZE6013	OIL SEAL, 22X35X6	1	
15	93500030050A	SCREW, PAN, 3X5	1	
16	9805655777	SPARK, PLUG	1	

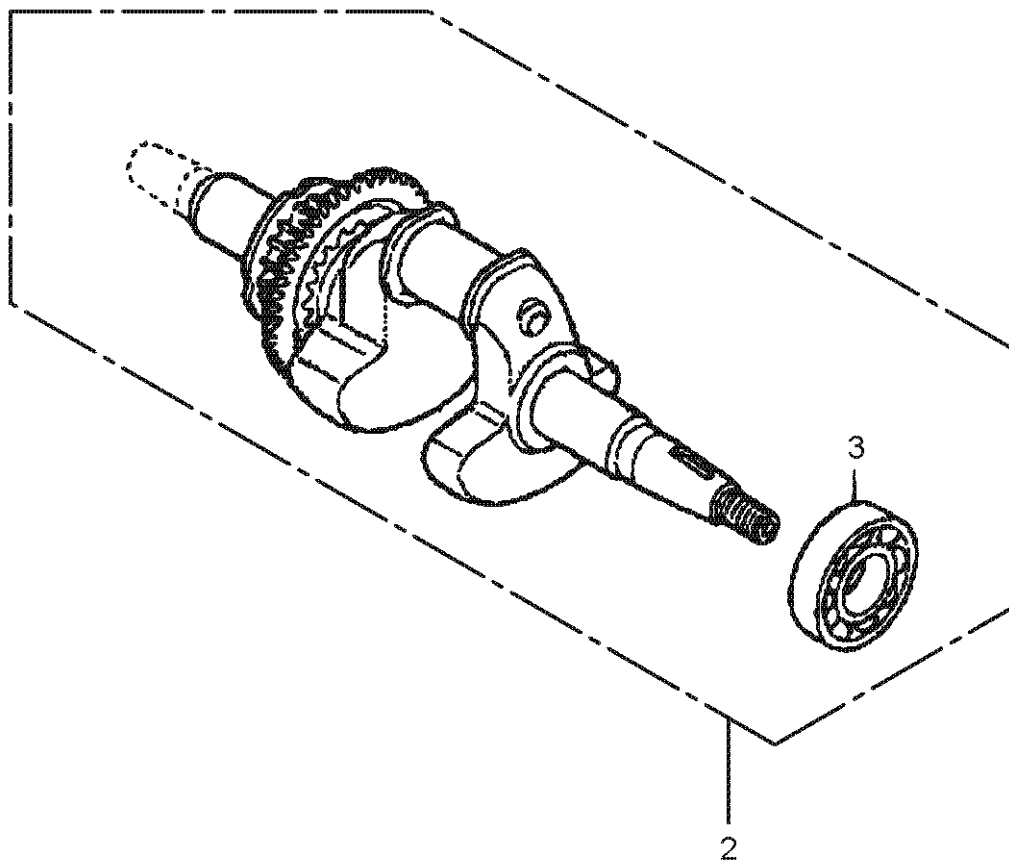
HONDA GXR120RTKRB6 ENGINE — CRANKCASE CVR. ASSY.



HONDA GXR120RTKRB6 ENGINE — CRANKCASE CVR. ASSY.

NO.	PART NO.	PART NAME	QTY.	REMARKS
1	11300ZDJ305	COVER ASSEMBLY, CRANKCASE.....	1.....	INCLUDES ITEMS W/\$
3	11511Z0DV10	FLANGE, P.T.O.	1	
4	15600ZDF000	CAP ASSEMBLY, OIL FILLER	1.....	INCLUDES ITEMS W/&
5&	15625Z0T800	PACKING, OIL FILLER CAP	1	
6\$	16510ZL8000	GOVERNOR ASSEMBLY	1	
7\$	16531ZE1000	SLIDER, GOVERNOR	1	
8	16541Z0D000	SHAFT, GOVERNOR ARM	1	
9	957010602500	BOLT, FLANGE, 6X25.....	8.....	REPLACES P/N 90121952000
10	90131ZE1000	BOLT, DRAIN PLUG	1	
11\$	90451ZE1000	WASHER, THRUST	1	
12	90601ZE1000	WASHER, DRAIN PLUG	1	
13\$	90602ZE1000	CLIP, GOVERNOR HOLDER	1	
14\$	91001878003	BEARING, RADIAL BALL	1	
15\$	91203ZE0013	OIL SEAL, 22X41X6	1	
16	91231891003	OIL SEAL, 6X11X4	1	
17\$	58176	WASHER, FLAT	2.....	REPLACES P/N 9410106800
18	9425108000	PIN, LOCK	1	
19	9430108200	DOWEL PIN	2	
20	9430306100	DOWEL PIN	2	
22	957010804500	BOLT, FLANGE, 8X45	4	

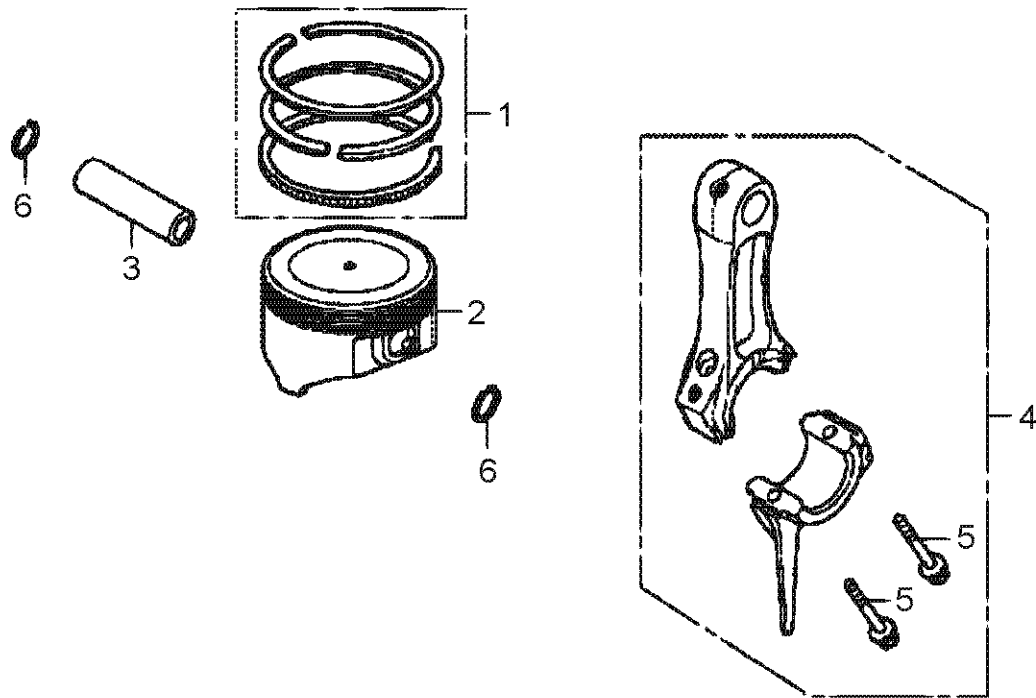
HONDA GXR120RTKRB6 ENGINE — CRANKSHAFT ASSY.



HONDA GXR120RTKRB6 ENGINE — CRANKSHAFT ASSY.

<u>NO.</u>	<u>PART NO.</u>	<u>PART NAME</u>	<u>QTY.</u>	<u>REMARKS</u>
2	13310ZDJ800	CRANKSHAFT COMPLETE.....	1.....	INCLUDES ITEMS W/%
3%	91005KS4003	BEARING, RADIAL BALL	1	

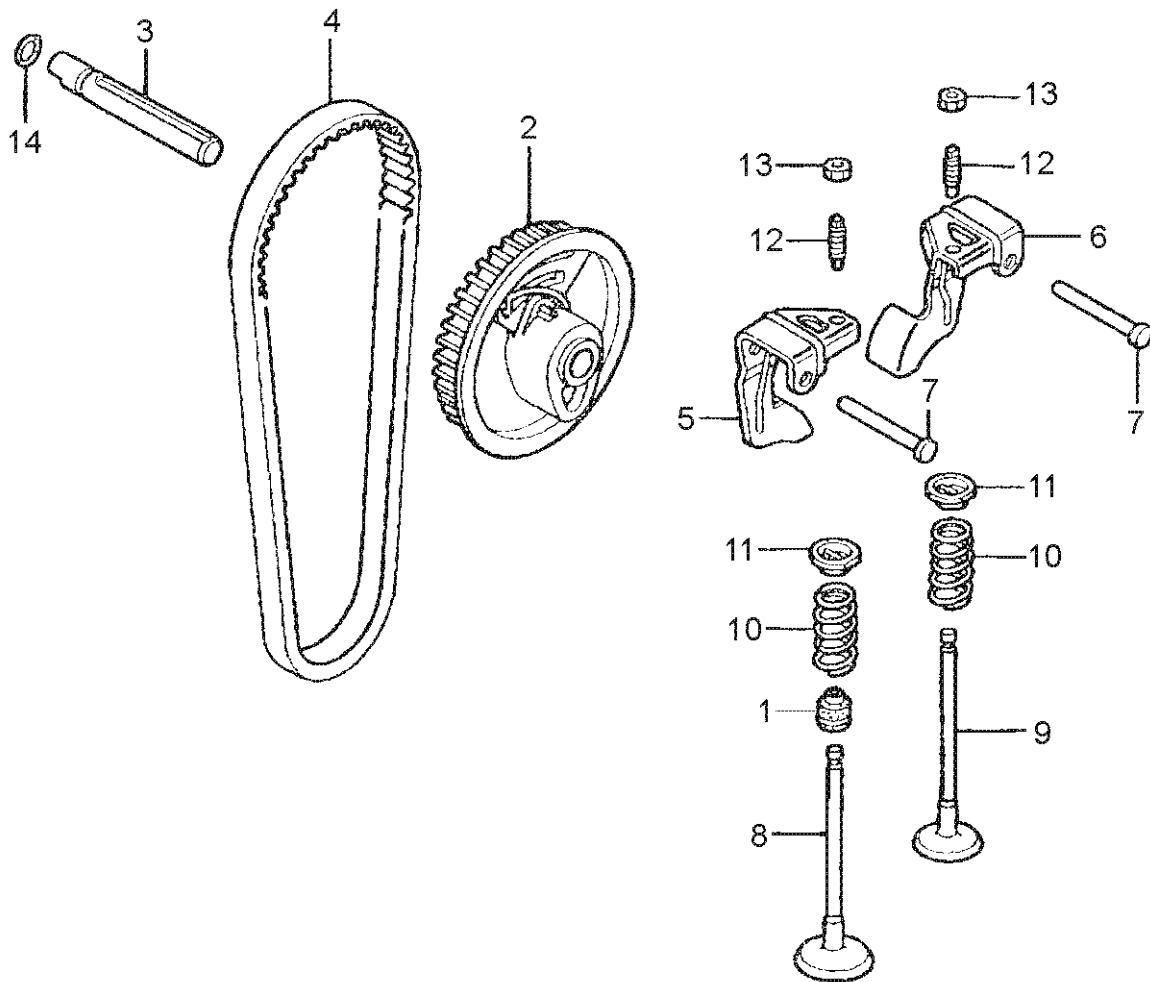
HONDA GXR120RTKRB6 ENGINE — PISTON/CONN. ROD ASSY.



HONDA GXR120RTKRB6 ENGINE — PISTON/CONN. ROD ASSY.

<u>NO.</u>	<u>PART NO.</u>	<u>PART NAME</u>	<u>QTY.</u>	<u>REMARKS</u>
1	13010ZDJ003	RING SET, PISTON STD.	1	
2	13101ZDJ800	PISTON	1	
3	13111ZE0000	PIN, PISTON	1	
4	13200ZDJ000	ROD ASSEMBLY, CONNECTING	1.....	INCLUDES ITEMS W/#
5#	90001ZDJ000	BOLT, CONNECTING ROD, 6X32	2	
6	90551ZE0000	CLIP, PISTON PIN, 13 MM	2	

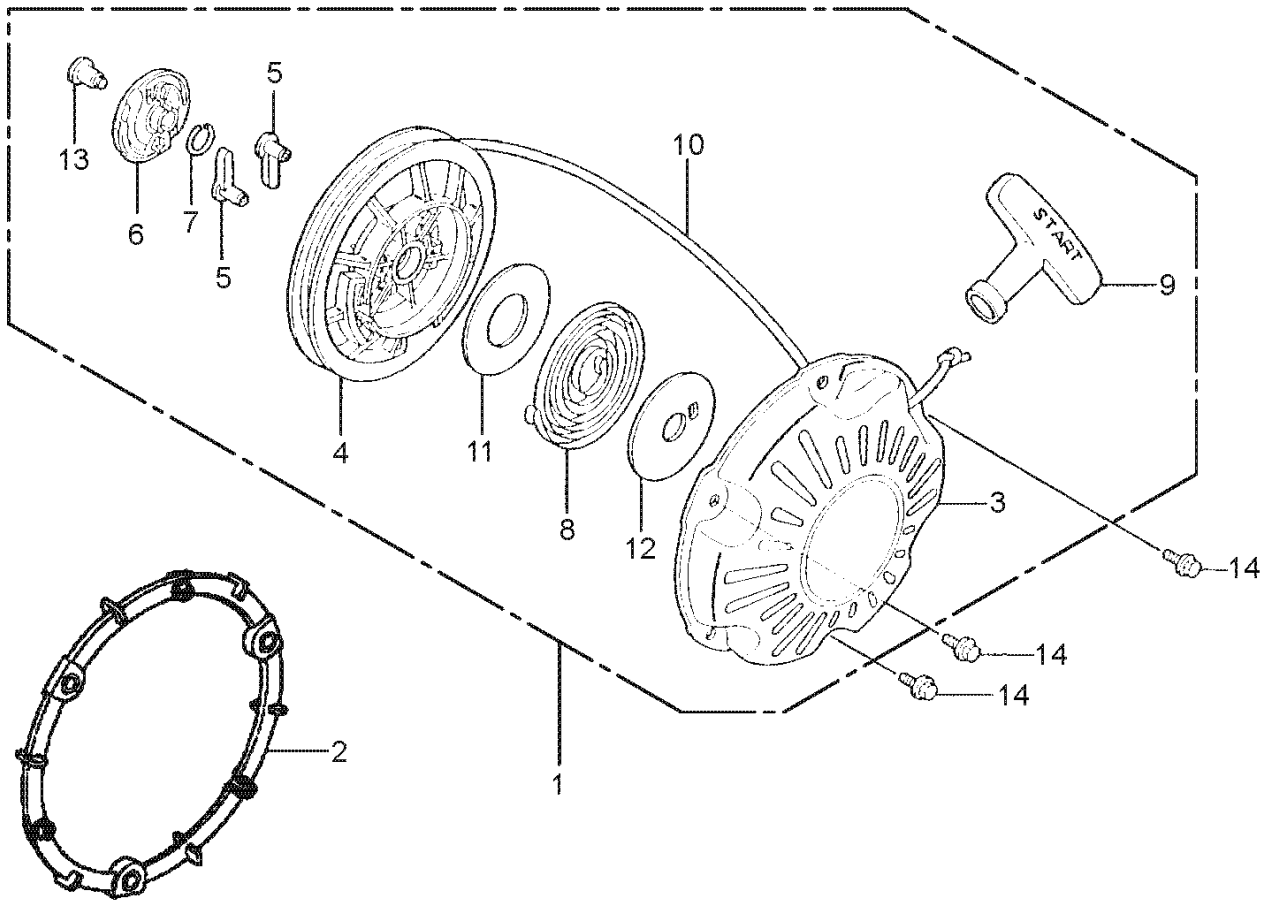
HONDA GXR120RTKRB6 ENGINE — CAMSHAFT PULLEY ASSY.



HONDA GXR120RTKRB6 ENGINE — CAMSHAFT PULLEY ASSY.

<u>NO.</u>	<u>PART NO.</u>	<u>PART NAME</u>	<u>QTY.</u>	<u>REMARKS</u>
1	12209KT7013	SEAL, VALVE STEM	1	
2	14320ZDD000	PULLEY COMPLETE, CAMSHAFT	1	
3	14324Z0D000	SHAFT, CAM PULLEY	1	
4	14400Z0D003	BELT, TIMING	1	
5	14431ZDD000	ARM, INTAKE VALVE ROCKER	1	
6	14441ZDD000	ARM, EXHAUST VALVE ROCKER	1	
7	14461ZL8000	SHAFT, ROCKER ARM	2	
8	14711Z0D000	VALVE, INLET	1	
9	14721Z0D000	VALVE, EXHAUST	1	
10	14751Z0D000	SPRING, VALVE	2	
11	14771ZM3010	RETAINER, VALVE SPRING	2	
12	90012333000	SCREW, TAPPET ADJUSTING	2	
13	90206001000	NUT, TAPPET ADJUSTING	2	
14	91301ZM0V31	O-RING	1	

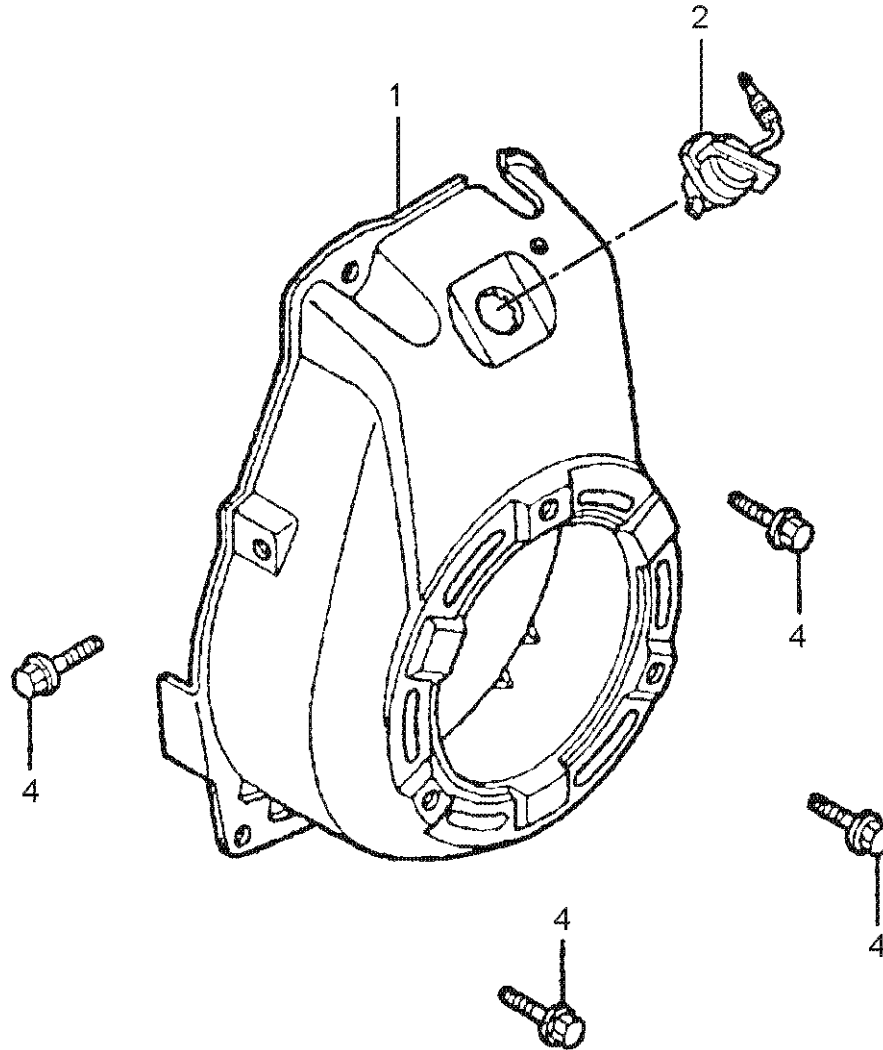
HONDA GXR120RTKRB6 ENGINE — RECOIL STARTER ASSY.



HONDA GXR120RTKRB6 ENGINE — RECOIL STARTER ASSY.

<u>NO.</u>	<u>PART NO.</u>	<u>PART NAME</u>	<u>QTY.</u>	<u>REMARKS</u>
1	28400ZDJ003ZB	STARTER ASSEMBLY, RECOIL, BLK.	1.....	INCLUDES ITEMS W/#
2	28405ZDJ000	SPACER, RECOIL STARTER MOUNTING	1	
3#	28410ZDJ003ZB	CASE COMPLETE, RECOIL STARTER, BLK.	1	
4#	28421ZDD003	REEL, RECOIL STARTER, BLK.	1	
5#	28422ZG0W02	RATCHET, STARTER	2	
6#	28433ZG0W02	GUIDE, RATCHET	1	
7#	28441ZW9003	SPRING, FRICTION	1.....	REPLACES P/N 28441ZW6003
8#	28442ZH8003	SPRING, RECOIL STARTER	1	
9#	28461ZDD003	KNOB, RECOIL STARTER	1	
10#	28462Z0DV03	ROPE, RECOIL STARTER	1	
11#	28467Z0DV02	PLATE, SIDE	1	
12#	28468Z0DV02	PLATE, SLIDE	1	
13#	90003ZH8003	SCREW, SETTING	1	
14	957010601400	BOLT, FLANGE, 6X14	3	

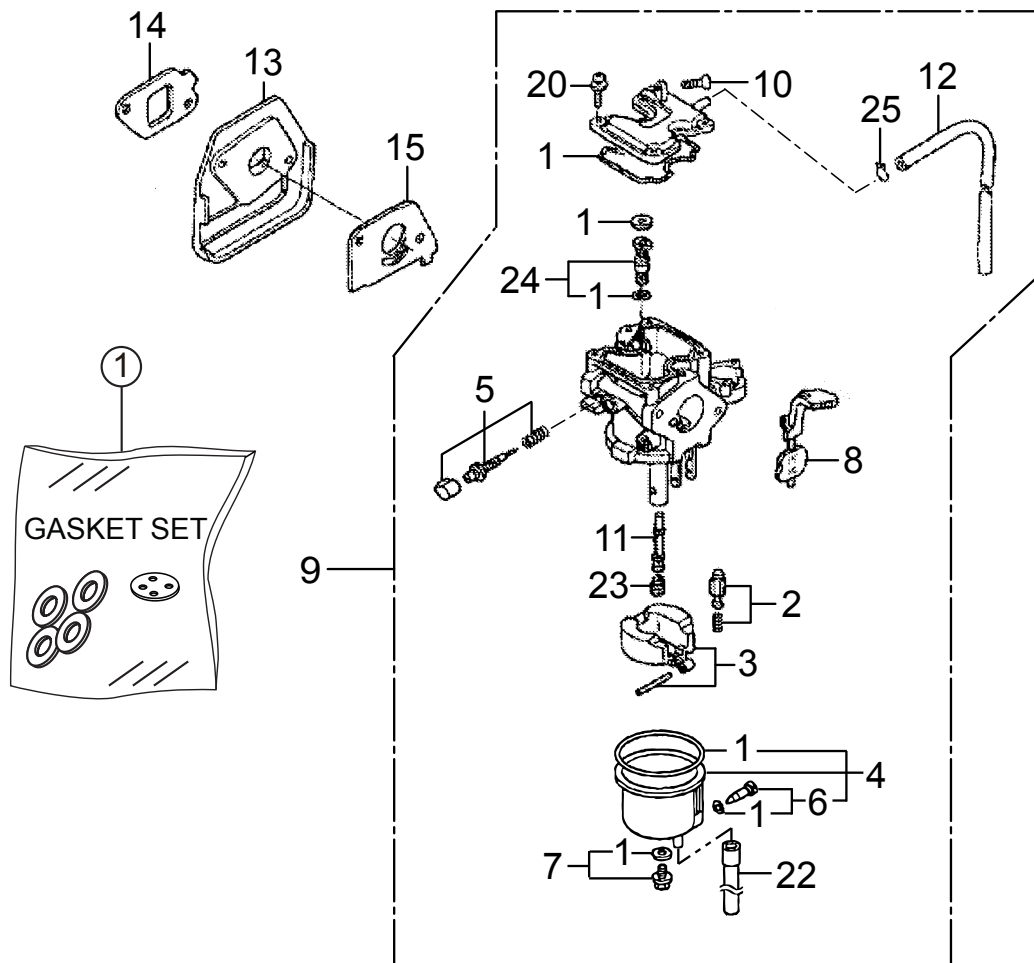
HONDA GXR120RTKRB6 ENGINE — FAN COVER ASSY.



HONDA GXR120RTKRB6 ENGINE — FAN COVER ASSY.

<u>NO.</u>	<u>PART NO.</u>	<u>PART NAME</u>	<u>QTY.</u>	<u>REMARKS</u>
1	19610Z0DV00ZB	COVER COMPLETE, FAN, BLK.	1	
2	35120Z0DV81	SWITCH ASSEMBLY, ENGINE STOP	1	
4	90014952000	BOLT, FLANGE, 6X14	4	

HONDA GXR120RTKRB6 ENGINE — CARBURETOR ASSY.



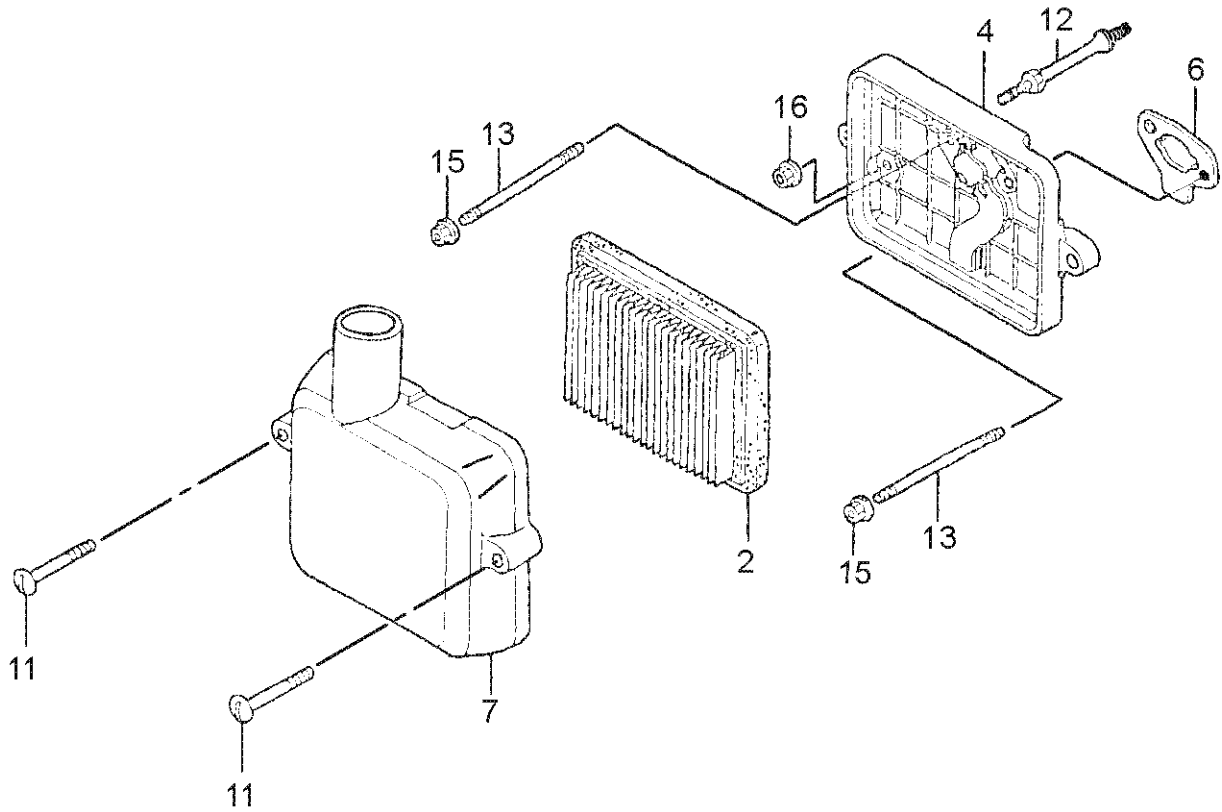
NOTICE

Gasket set, item 1 included with items 4, 6, 7, and 24.

HONDA GXR120RTKRB6 ENGINE — CARBURETOR ASSY.

<u>NO.</u>	<u>PART NO.</u>	<u>PART NAME</u>	<u>QTY.</u>	<u>REMARKS</u>
1#%	16010Z4EW51	GASKET SET	1	
2#	16011ZDJ851	VALVE SET, FLOAT	1	
3#	16013ZG0811	FLOAT SET	1	
4#	16015Z4EW51	CHAMBER SET, FLOAT	1	INCLUDES ITEMS W/%
5#	16016Z0DV21	SCREW SET	1	
6#	16024124760	SCREW SET, DRAIN.....	1	INCLUDES ITEMS W/%
7#	16028ZC0005	SCREW SET.....	1	INCLUDES ITEMS W/%
8#	16044Z0DV21	LEVER SET, CHOKE	1	
9	16100ZDJ841	CARBURETOR ASSEMBLY	1	INCLUDES ITEMS W/#
10#	16124ZE0005	SCREW, THROTTLE STOP	1	
11#	16166ZDJ851	NOZZLE, MAIN	1	
12#	16199Z0DV21	TUBE, AIR VENT	1	
13	16211Z0D010	INSULATOR, CARBURETOR	1	
14	16212Z0DV20	PACKING, INSULATOR	1	
15	16221ZG0801	PACKING, CARBURETOR	1	
20#	938920401208	SCREW-WASHER, 4X12	4	REPLACES P/N 938920401218
22#	950030501931	TUBE, VINYL	1	
23#	99101ZG00600	JET, MAIN	1	
24#	99204ZE00350	JET SET, PILOT.....	1	INCLUDES ITEMS W/%
25#	90602921000	CLIP, TUBE	1	

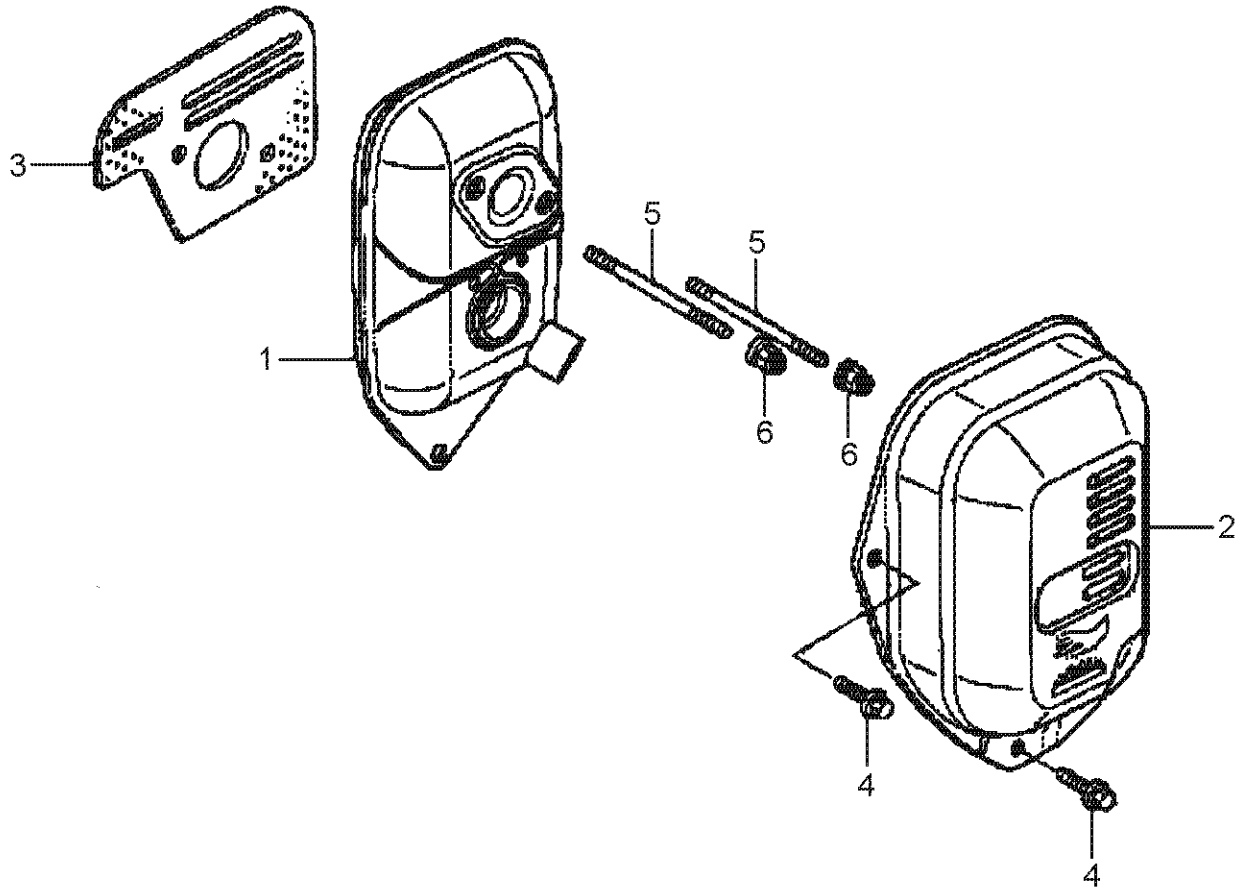
HONDA GXR120RTKRB6 ENGINE — AIR CLEANER ASSY.



HONDA GXR120RTKRB6 ENGINE — AIR CLEANER ASSY.

<u>NO.</u>	<u>PART NO.</u>	<u>PART NAME</u>	<u>QTY.</u>	<u>REMARKS</u>
2	17211ZL8023	ELEMENT, AIR CLEANER	1	
4	17220Z0DV21	CASE COMPLETE, AIR CLEANER	1	
6	17228Z0DV21	PACKING, AIR CLEANER	1	
7	17231Z0DV62	COVER, AIR CLEANER	1	
11	90011Z0D000	BOLT, AIR CLEANER COVER	2	
12	90041Z0DV20	BOLT, STUD	1	
13	90042Z0DV20	BOLT, STUD, 5X75	2	
15	9405005000	NUT, FLANGE, 5 MM	2	
16	9405006000	NUT, FLANGE, 6 MM	1	

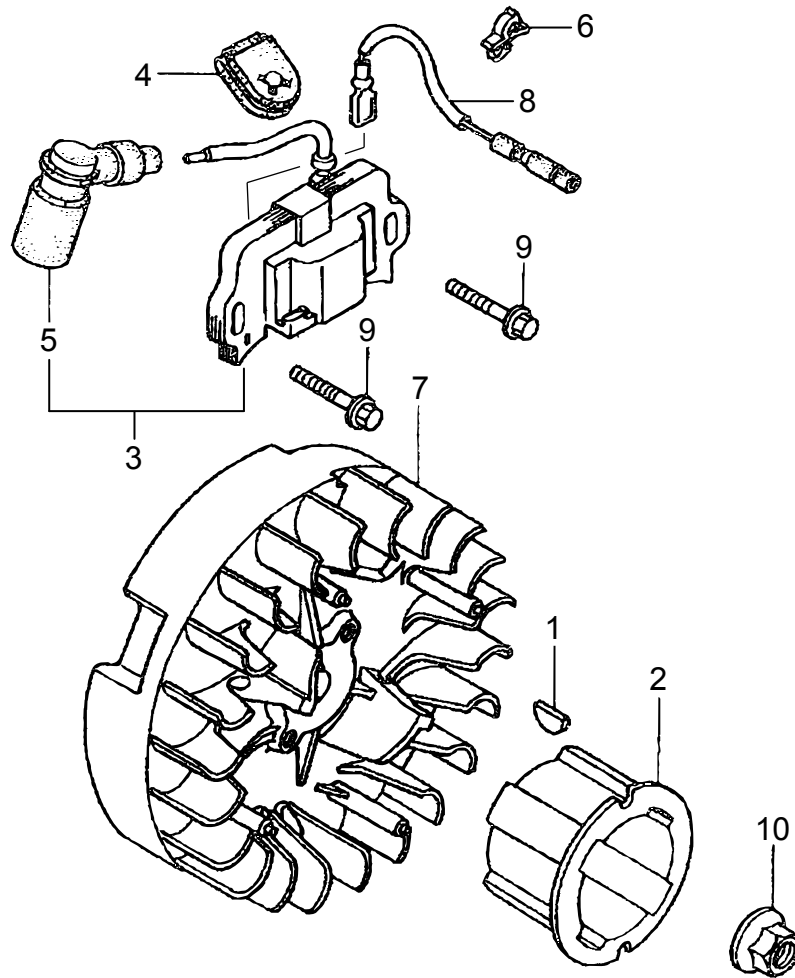
HONDA GXR120RTKRB6 ENGINE — MUFFLER ASSY.



HONDA GXR120RTKRB6 ENGINE — MUFFLER ASSY.

<u>NO.</u>	<u>PART NO.</u>	<u>PART NAME</u>	<u>QTY.</u>	<u>REMARKS</u>
1	18310ZDJ000	MUFFLER COMPLETE (RAMMER)	1	
2	18320ZDJ000	PROTECTOR COMP., MUFFLER (RAMMER)	1	
3	18381Z0D000	GASKET, MUFFLER	1	
4	90014952000	BOLT, FLANGE, 6X14	3	
5	90048ZDJ000	BOLT, STUD, 6X56.5	2	
6	90343ZE6000	NUT, SELF-LOCK, 6 MM	2	

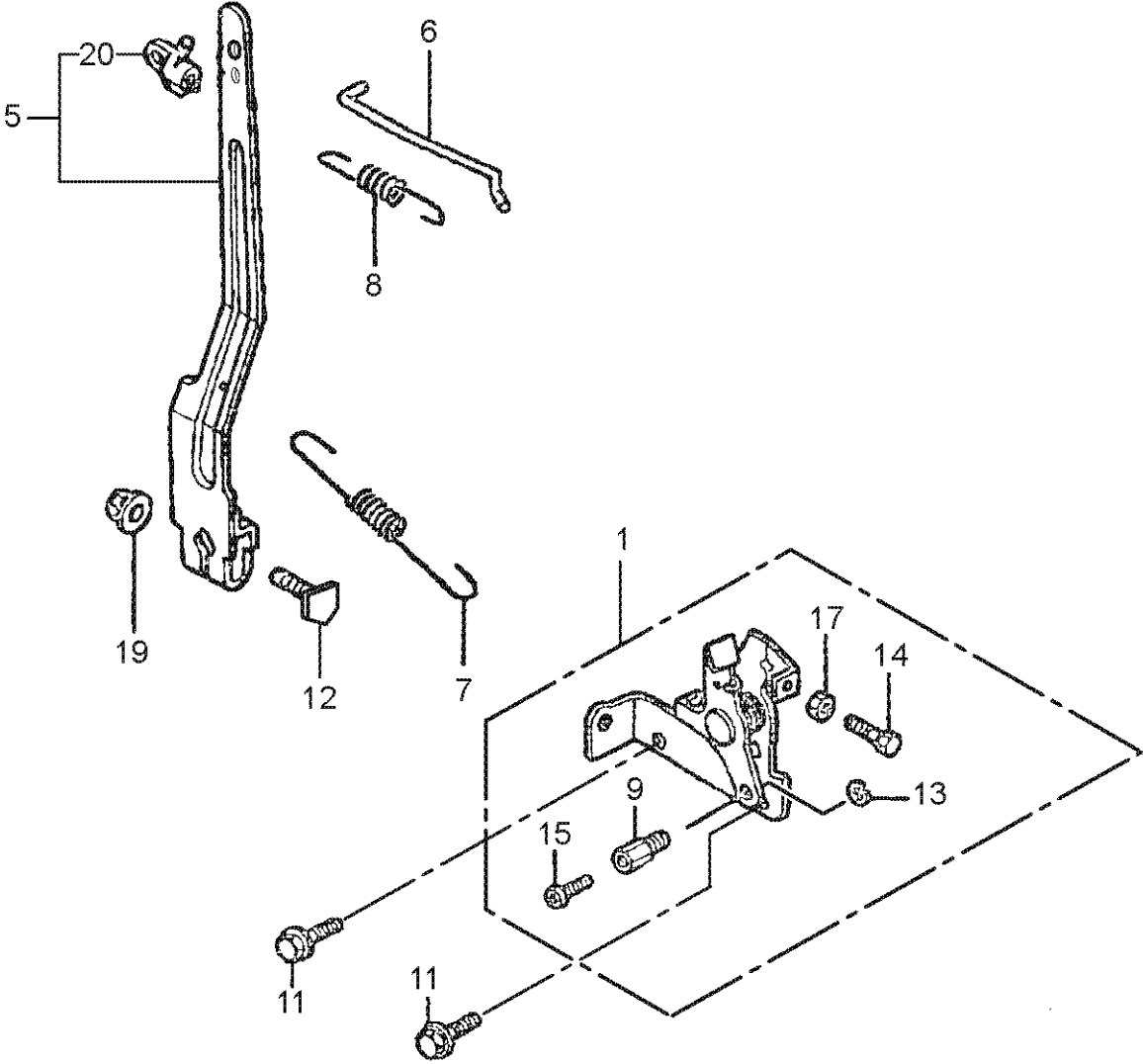
HONDA GXR120RTKRB6 ENGINE — FLYWHEEL IGNITION ASSY.



HONDA GXR120RTKRB6 ENGINE — FLYWHEEL IGNITION ASSY.

<u>NO.</u>	<u>PART NO.</u>	<u>PART NAME</u>	<u>QTY.</u>	<u>REMARKS</u>
1	13331357000	KEY, SPECIAL WOODRUFF, 25X18	1	
2	28451ZDJ003	PULLEY, STARTER	1	
3	30500Z0DV02	COIL ASSEMBLY, IGNITION	1.....	INCLUDES ITEMS W/ #
4	30564ZA5000	GROMMET, CORD	1	
5#	30700Z0DV01	TERMINAL ASSEMBLY, HIGH TENSION	1	
6	30701883000	CLIP, HIGH TENSION CORD	1	
7	31110ZDJ003	FLYWHEEL COMPLETE	1	
8	32195Z0D000	CORD, STOP SWITCH	1	
9	90022888010	BOLT, FLANGE, 6X20	2	
10	90201Z0T800	NUT, SPECIAL, 14 MM	1	

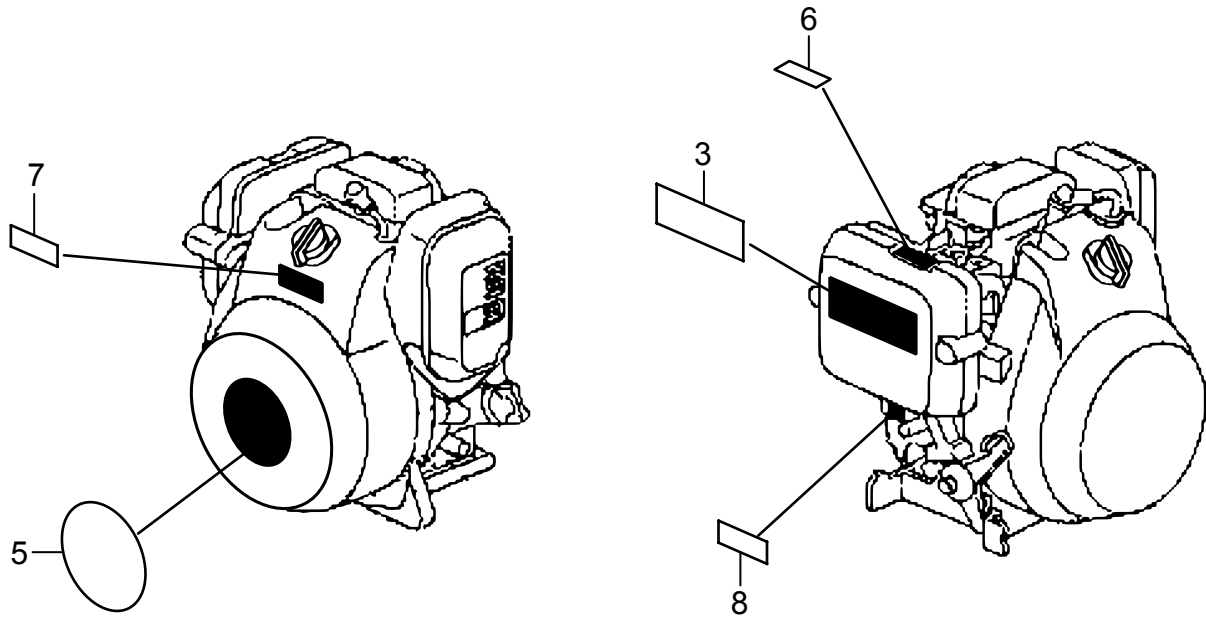
HONDA GXR120RTKRB6 ENGINE — CONTROL ASSY.



HONDA GXR120RTKRB6 ENGINE — CONTROL ASSY.

<u>NO.</u>	<u>PART NO.</u>	<u>PART NAME</u>	<u>QTY.</u>	<u>REMARKS</u>
1	16500Z0DV50	CONTROL ASSEMBLY.....	1.....	INCLUDES ITEMS W/ &
5	16550Z0DV21	ARM COMPLETE, GOVERNOR	1.....	INCLUDES ITEMS W/ \$
6	16555Z0DV20	ROD, GOVERNOR	1	
7	16561ZDJ800	SPRING, GOVERNOR	1	
8	16562Z0DV20	SPRING, THROTTLE RETURN	1	
9&	16594883010	HOLDER, WIRE	1	
11	90014952000	BOLT, FLANGE, 6X14	2	
12	90015Z5T000	BOLT, GOVERNOR ARM	1	
13&	90605230000	CIRCLIP, 5 MM	1	
14&	92301050220A	BOLT, RECESSED, 5X20	1.....	REPLACES P/N 92301050200A
15&	0043504060	SCREW, PAN, 4X6	1.....	REPLACES P/N 93500040060H
17&	94001050000S	NUT, HEX., 5 MM	1	
19	9405006000	NUT, FLANGE, 6 MM	1	
20\$	16263883W10	JOINT, ROD	1	

HONDA GXR120RTKRB6 ENGINE — LABELS ASSY.



HONDA GXR120RTKRB6 ENGINE — LABELS ASSY.

<u>NO.</u>	<u>PART NO.</u>	<u>PART NAME</u>	<u>QTY.</u>	<u>REMARKS</u>
3	87516ZDD000	MARK, OPERATOR CAUTION (ENGLISH)	1	
5	87521ZDJ000	EMBLEM	1	
6	87528Z0D000	MARK, CHOKE INDICATION	1	
7	87539Z0J000	MARK, EX. CAUTION (ENGLISH)	1	
8	87601ZDJV20	MARK, TYPE (KRB6)	1	