

**PARTS MANUAL**



*Mikasa* **SERIES**  
**MODEL MT74FAF**  
**TAMPING RAMMER**  
**(ROBIN EH-12-2D46051 GASOLINE ENGINE)**

Revision #1 (07/09/20)

**THIS MANUAL MUST ACCOMPANY THE EQUIPMENT AT ALL TIMES.**

# TABLE OF CONTENTS

---

## **MT74FAF Rammer**

Explanation Of Code In Remarks Column.....	4
Suggested Spare Parts .....	5

## **Rammer Component Drawings**

Nameplate And Decals.....	6-7
Crankcase And Engine Assembly .....	8-11
Guide Cylinder And Foot Assembly.....	12-13
Fuel Tank And Handle Assembly.....	14-15

## **Robin EH-12-2D46051 Engine Component Drawings**

Crankcase And Cylinder Assembly .....	16-17
Crankshaft And Piston Assembly .....	18-19
Muffler, Air Cleaner, Cam Assembly.....	20-21
Governor Assembly .....	22-23
Recoil Starter Assembly .....	24-25
Magneto Assembly .....	26-27
Carburetor Assembly .....	28-29

### **NOTICE**

Specifications and part numbers are subject to change without notice.

# EXPLANATION OF CODE IN REMARKS COLUMN

The following section explains the different symbols and remarks used in the Parts section of this manual. Use the help numbers found on the back page of the manual if there are any questions.

**NOTICE**

The contents and part numbers listed in the parts section are subject to change **without notice**. Multiquip does not guarantee the availability of the parts listed.

## SAMPLE PARTS LIST

NO.	PART NO.	PART NAME	QTY.	REMARKS
1	12345	BOLT .....	1	INCLUDES ITEMS W/%
2%		WASHER, 1/4 IN. ....		NOT SOLD SEPARATELY
2%	12347	WASHER, 3/8 IN. ...	1	MQ-45T ONLY
3	12348	HOSE .....	A/R	MAKE LOCALLY
4	12349	BEARING .....	1	S/N 2345B AND ABOVE

## NO. Column

**Unique Symbols** — All items with same unique symbol (@, #, +, %, or >) in the number column belong to the same assembly or kit, which is indicated by a note in the “Remarks” column.

**Duplicate Item Numbers** — Duplicate numbers indicate multiple part numbers, which are in effect for the same general item, such as different size saw blade guards in use or a part that has been updated on newer versions of the same machine.

**NOTICE**

When ordering a part that has more than one item number listed, check the remarks column for help in determining the proper part to order.

## PART NO. Column

**Numbers Used** — Part numbers can be indicated by a number, a blank entry, or TBD.

TBD (To Be Determined) is generally used to show a part that has not been assigned a formal part number at the time of publication.

A blank entry generally indicates that the item is not sold separately or is not sold by Multiquip. Other entries will be clarified in the “Remarks” Column.

## QTY. Column

**Numbers Used** — Item quantity can be indicated by a number, a blank entry, or A/R.

A/R (As Required) is generally used for hoses or other parts that are sold in bulk and cut to length.

A blank entry generally indicates that the item is not sold separately. Other entries will be clarified in the “Remarks” Column.

## REMARKS Column

Some of the most common notes found in the “Remarks” Column are listed below. Other additional notes needed to describe the item can also be shown.

**Assembly/Kit** — All items on the parts list with the same unique symbol will be included when this item is purchased.

Indicated by:

“INCLUDES ITEMS W/(unique symbol)”

**Serial Number Break** — Used to list an effective serial number range where a particular part is used.

Indicated by:

“S/N XXXXX AND BELOW”

“S/N XXXX AND ABOVE”

“S/N XXXX TO S/N XXX”

**Specific Model Number Use** — Indicates that the part is used only with the specific model number or model number variant listed. It can also be used to show a part is NOT used on a specific model or model number variant.

Indicated by:

“XXXXX ONLY”

“NOT USED ON XXXX”

**“Make/Obtain Locally”** — Indicates that the part can be purchased at any hardware shop or made out of available items. Examples include battery cables, shims, and certain washers and nuts.

**“Not Sold Separately”** — Indicates that an item cannot be purchased as a separate item and is either part of an assembly/kit that can be purchased, or is not available for sale through Multiquip.

## SUGGESTED SPARE PARTS

### MT-74FAF TAMPING RAMMER WITH ROBIN EH-12-2D46051 GASOLINE ENGINE

1 to 3 units

Qty.	P/N	Description
1.....	362910060.....	THROTTLE LEVER ASSY.
1.....	956100045.....	THROTTLE WIRE
3.....	354030030.....	ELEMENT, YELLOW
3.....	354030040.....	ELEMENT, GRAY
1.....	361910070.....	CAP, FUEL TANK
1.....	954300720.....	COCK, FUEL ASSY.
1.....	301419750.....	FILTER, FUEL
3.....	2523260207.....	ELEMENT, SET, ENGINE
1.....	0660000481.....	STOP SWITCH ASSY.
3.....	0650140580.....	SPARK PLUG
1.....	954406010.....	STRAINER, FUEL TANK
1.....	2825011118.....	STARTER ROPE

#### NOTICE

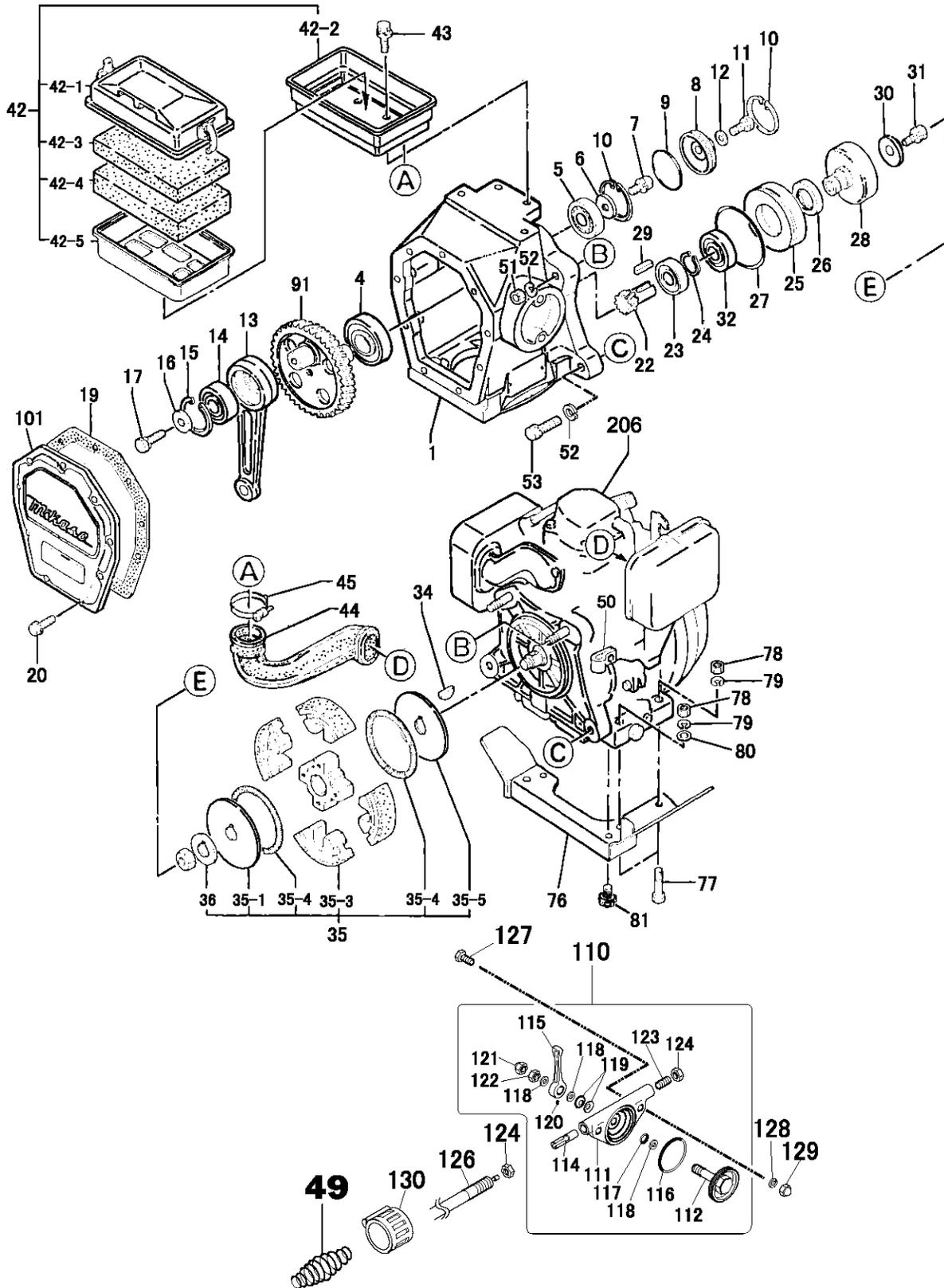
Part numbers on this Suggested Spare Parts list may supersede/replace the part numbers shown in the following parts lists.



## NAMEPLATE AND DECALS

<u>NO.</u>	<u>PART NO.</u>	<u>PART NAME</u>	<u>QTY.</u>	<u>REMARKS</u>
1	920202930	DECAL: START SWITCH.....	1.....	NPA293
2	920206020	DECAL: 3400~3600 RPM.....	1.....	NPA602
4	920210160	DECAL: SERVICE MONTHLY .....	1.....	NPA1016
5	920108310	DECAL: CLEANER ELEMENT .....	1.....	NP831
8	920203290	DECAL: CAUTION .....	1.....	NPA329
9		PLATE, SERIAL NO.....	1.....	CONTACT MQ PARTS DEPT.
10	920107000	DECAL: PRE-CLEANER.....	1.....	NP700
11	920204370	DECAL: PRE-CLEANER.....	1.....	NPA437
12	920209750	DECAL: CAUTION 4-CYCLE.....	1.....	NPA975
13	920203330	DECAL: EAR PROTECTION .....	1.....	NPA333
14	920203990	DECAL: CAUTION (FUEL COCK) .....	1.....	NPA399
16	920203980	DECAL: ELEMENT SET .....	1.....	NPA398
17	920207690	DECAL: CAUTION (MANUAL).....	1.....	NPA769
18	920210170	DECAL: GASOLINE ONLY .....	1.....	NPA1017
19	920208960	TAG, GASOLINE.....	1.....	NPA896
20	920210180	DECAL: CHECK DAILY (FILTER) .....	1.....	NPA1018
21	920209100	DECAL: CAUTION (RAMMER).....	1.....	NPA910
22	920100240	DECAL: (M-MARK).....	1.....	NP24
23	920211690	DECAL: LEVER OPERATION.....	1.....	NPA1169
24	920214100	DECAL: E/G FIRE WARNING.....	1.....	NPA1410
100	0732005760	LABEL, CAUTION	1	
101	0732004520	LABEL, OIL CAUTION	1	
102	0732003900	LABEL, WARNING	1	
103	0732005020	LABEL, CHOKE	1	

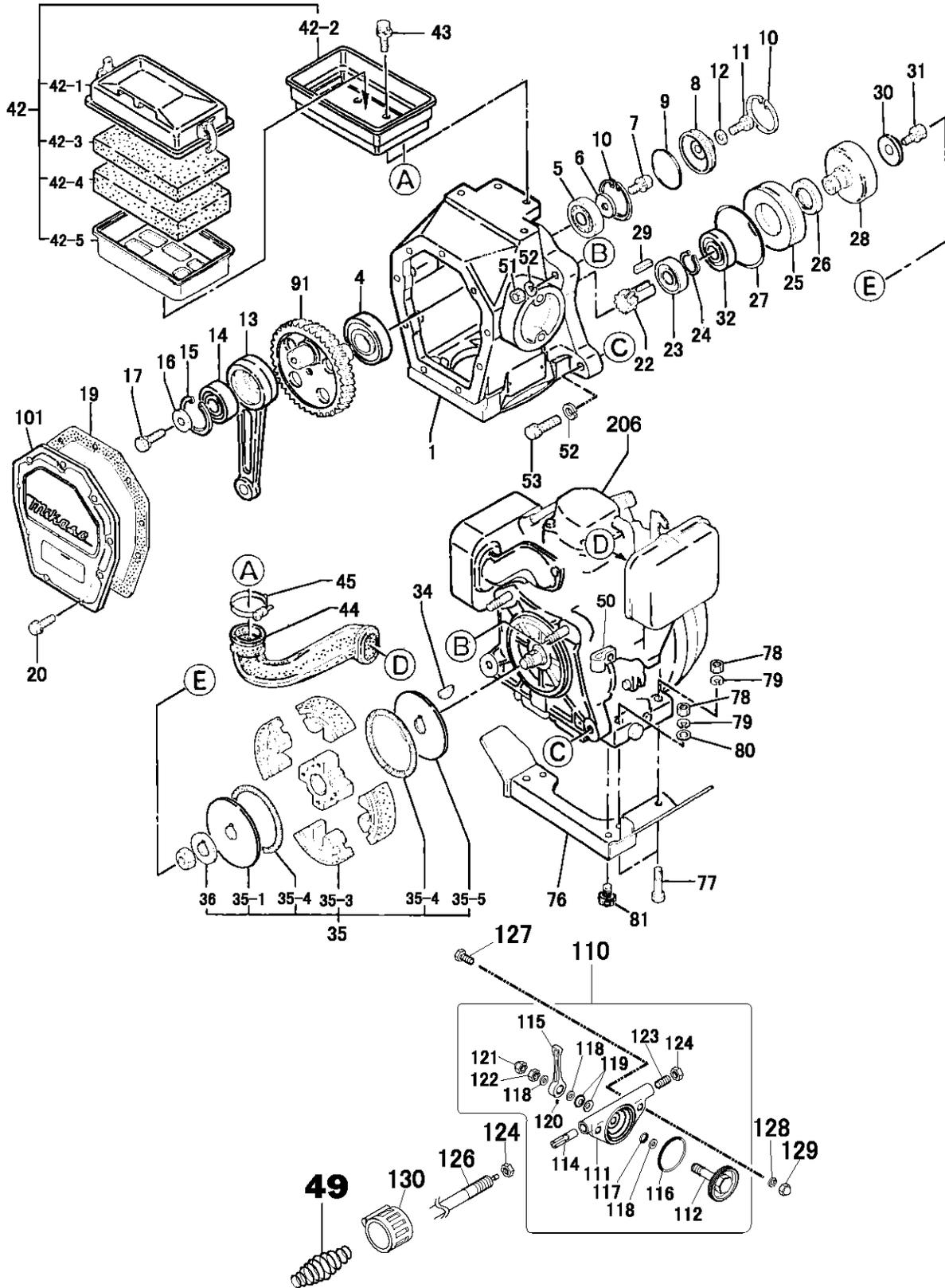
# CRANKCASE AND ENGINE ASSY.



## CRANKCASE AND ENGINE ASSY.

<u>NO.</u>	<u>PART NO.</u>	<u>PART NAME</u>	<u>QTY.</u>	<u>REMARKS</u>
1	371113331	CRANK CASE	1	
4	040006207	BEARING	1	
5	0600200020	BEARING.....	1.....	REPLACES P/N 040006204
6	952400130	WASHER	1	
7	011708025	BOLT 8X25 H, SW.....	1.....	REPLACES P/N 002210825
8	371447650	BEARING COVER	1	
9	050300480	O-RING	1	
10	080100480	STOP RING	2	
11	011006010	BOLT 6X10 T.....	1.....	REPLACES P/N 001200610
12	952404470	WASHER M6.....	1.....	REPLACES P/N 031106100
13	371334730	CONNECTING ROD	1	
14	040006304	BEARING	1	
15	080100520	STOP RING	1	
16	952400130	WASHER	1	
17	011708025	BOLT 8X25 H, SW.....	1.....	REPLACES P/N 002210825
19	352444450	PACKING, FRONT COVER	1	
20	011706020	BOLT 6X20 H, SW.....	9.....	REPLACES P/N 002210620
22	361449320	PINION	1	
23	0600200020	BEARING.....	1.....	REPLACES P/N 040006204
24	080200350	STOP RING	1	
25	371449600	SPACER	1	
26	060404010	OIL SEAL	1	
27	050101000	O-RING	1	
28	361449330	CLUTCH DRUM	1	
29	951407340	KEY 5X5X20R	1	
30	952405490	WASHER, LOCK	1	
31	011008020	BOLT 8X20 H, SW.....	1.....	REPLACES P/N 002210820
32	041006007	BEARING	1	
34	0053204201	WOODRUFF KEY	1	
35	361463840	CLUTCH ASSY., CE120T.....	1.....	INCLUDES ITEMS W/\$
35-1\$	943060020	CLUTCH GUIDE/B	1	
35-3\$	361463840	CLUTCH SHOE.....	4.....	REPLACES P/N 943020020
35-4\$	943030021	CLUTCH SPRING	2	
35-5\$	943060100	CLUTCH GUIDE/A 1.6T	1	
36\$	301010210	WASHER, LOCK CLUTCH	1	
42	361213800	AIR CLEANER ASSY.....	1.....	INCLUDES ITEMS W/#
42-1#	354030011	BODY/W-CLEANER	1	
42-2#	361010020	BACK PLATE CP	1	
42-3#	354030030	ELEMENT, YELLOW	1	
42-4#	354030040	ELEMENT, GRAY	1	
42-5#	354030050	ELEMENT FRAME	1	

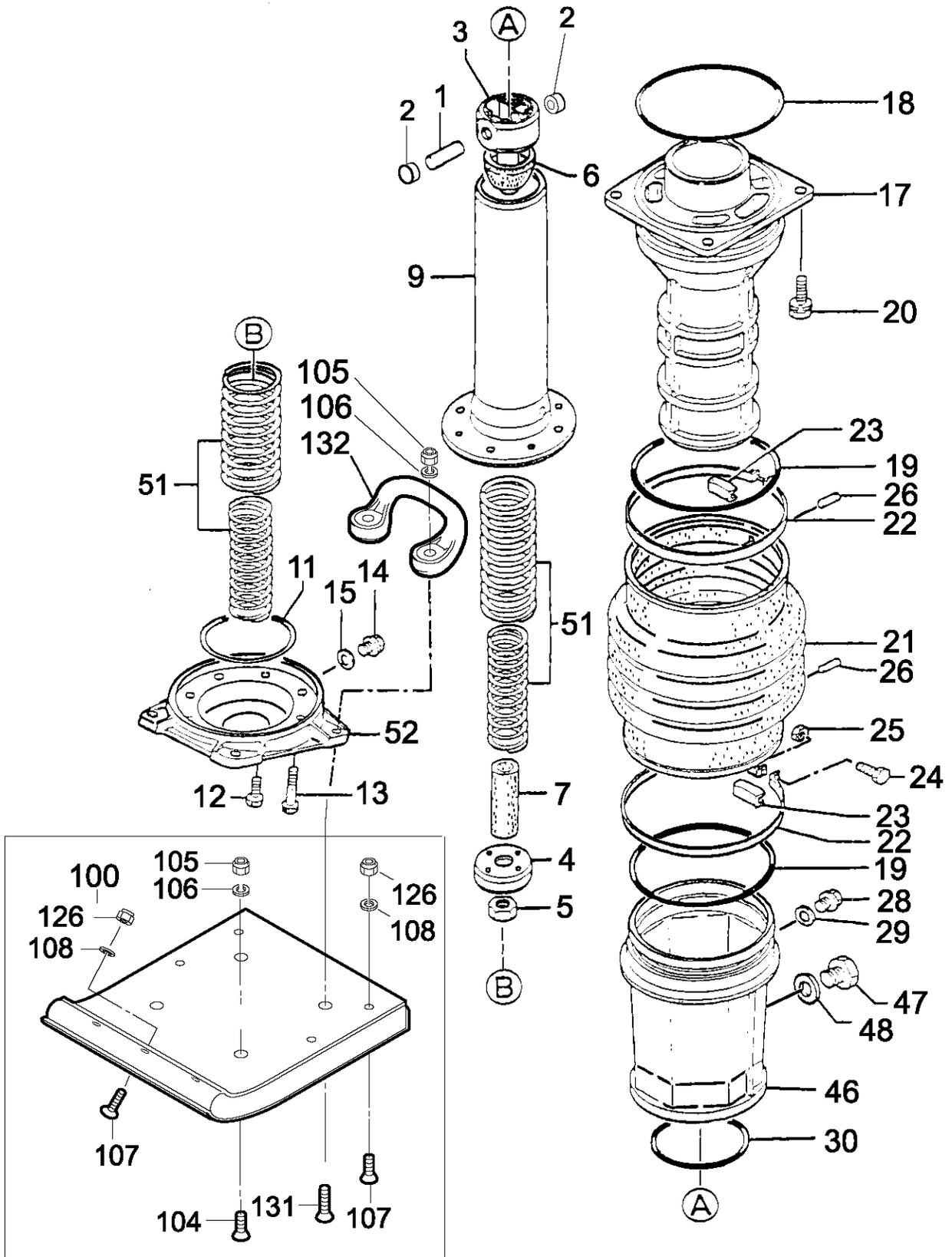
# CRANKCASE AND ENGINE ASSY (CONT'D.)



## CRANKCASE AND ENGINE ASSY (CONT'D.)

<u>NO.</u>	<u>PART NO.</u>	<u>PART NAME</u>	<u>QTY.</u>	<u>REMARKS</u>
43	011008020	BOLT 8X20 H, SW .....	4	REPLACES P/N 002200820
44	361336010	INTAKE PIPE	1	
45	954010230	HOSE BAND (B)	1	
49	402010110	COIL SPRING.....	1	REPLACES P/N 0830000010
50	959006120	CLIP	1	
51	020310080	NUT M10	2	
52	030210250	WASHER, SPRING LOCK M10	4	
53	012210050	BOLT 10X50 H.....	2	REPLACES P/N 001221050
76	361214201	UNDER PROTECTOR	1	
77	011008040	BOLT 8X40 T.....	3	REPLACES P/N 001220840
78	020108060	NUT M8.....	3	REPLACES P/N 020308060
79	030208200	WASHER, LOCK 8MM	3	
80	0401450080	WASHER, FLAT M8.....	3	REPLACES P/N 031108160
81	0011308180	BOLT AND WASHER ASSY.	2	
91	361335870	CRANK GEAR	1	
101	361010030	FRONT COVER	1	
110	362910060	THROTTLE LEVER ASSY. ....	1	INCLUDES ITEMS W/%
111%	362341550	THROTTLE BODY	1	
112%	362910090	THROTTLE GEAR CP, W/BOLT	1	
114%	362455620	SLIDER	1	
115%	362455630	THROTTLE LEVER	1	
116%	050100450	O-RING	1	
117%	050200100	O-RING	1	
118%	031110160	WASHER, FLAT M10	3	
119%	033910230	CONICAL LOCK WASHER	2	
119	032110180	CONICAL LOCK WASHER M10	2	
120%	096206006	SOCKET HEAD SCREW 6X6	1	
121%	022131008	CAP NUT M10	1	
122%	020310080	NUT M10.....	1	REPLACES P/N 020410060
123%	014208020	SOCKET HEAD SCREW 8X20 .....	1	REPLACES P/N 096208020
124	020408050	NUT, M8	2	
126	956100045	THROTTLE WIRE	1	
127	011206020	BOLT 6X20 T.....	2	REPLACES P/N 001220620
128	030206150	WASHER, LOCK M6	2	
129	022130605	CAP, NUT M6	2	
130	303010450	BAND	1	
206	911211202	ENGINE, EH12-2D	1	

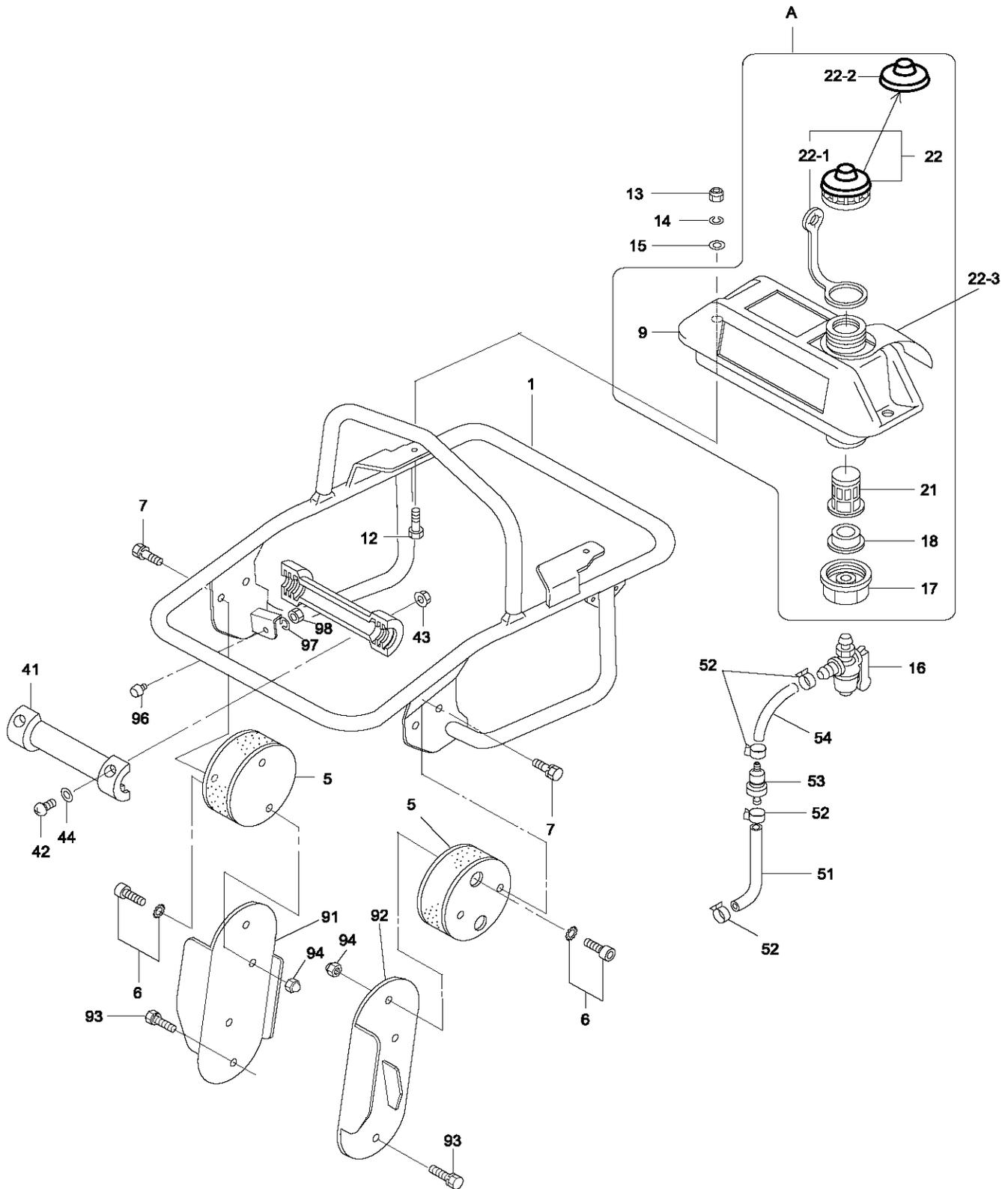
# GUIDE CYLINDER AND FOOT ASSY.



## GUIDE CYLINDER AND FOOT ASSY.

<u>NO.</u>	<u>PART NO.</u>	<u>PART NAME</u>	<u>QTY.</u>	<u>REMARKS</u>
1	366900080	PISTON PIN.....	1.....	REPLACES P/N 366460100
2	366459910	PISTON PIN PLUG	2	
3	361344360	PISTON ROD	1	
4	355452340	PISTON END	1	
5	020118150	NUT M18X1.5P	1	
6	355447250	STOPPER, UPPER	1	
7	355447260	STOPPER, LOWER	1	
9	355334310	SPRING CYLINDER	1	
11	050100900	O-RING	1	
12	014210020	SOCKET HEAD BOLT 10X20 T.....	4.....	REPLACES P/N 001521020
13	014210040	SOCKET HEAD BOLT 10X40 T.....	4.....	REPLACES P/N 001521040
14	953405270	PLUG 1/4X14 13L	1	
15	953405260	PACKING 1/4 (CU)	1	
17	355213010	GUIDE CYLINDER	1	
18	050201500	O-RING	1	
19	050931500	O-RING	2	
20	012710035	BOLT 10X35 H, SW.....	4.....	REPLACES P/N 002211035
21	354010010	BELLOWS (L) ORANGE	1	
22	354336352	BELLOWS CLAMP	2	
23	354442340	BAND GUIDE, BELLOWS	2	
24	011008040	BOLT 8X40 H.....	2.....	REPLACES P/N 001220840
25	020108060	NUT M8.....	2.....	REPLACES P/N 020308060
26	354446170	PIN 6D-8.5L	2	
28	953405270	PLUG 1/4X14 13L	1	
29	953405260	PACKING 1/4 (CU)	1	
30	050100950	O-RING.....	1.....	S/N R5624 AND BELOW
30	050200950	O-RING.....	1.....	S/N R5625 AND ABOVE
46	355113960	PROTECTION SLEEVE.....	1.....	S/N R5624 AND BELOW
46	355119030	PROTECTION SLEEVE.....	1.....	S/N R5625 AND ABOVE
47	366460300	LEVEL GAUGE, PLUG TYPE	1	
48	953404670	COPPER PACKING 17X25.5X1	1	
51	355447270	MAIN SPRING	2	
52	355213000	FOOT PLATE	1	
100	8511S	FOOT ASSY.....	1.....	INCLUDES ITEMS W/\$ REPLACES P/N 366910020
104	009110034	SUNK HEAD BOLT 12X65 H	2	
105	021112140	NYLON NUT M12.....	4.....	REPLACES P/N 022711214
106	030212300	WASHER, LOCK M12	4	
107\$	009110036	SUNK HEAD BOLT 10X55 H.....	7.....	REPLACES P/N 001611051
108\$	030210250	WASHER, LOCK M10	7	
126\$	021110120	NYLON NUT M10.....	7.....	REPLACES P/N 022711012
131	009110035	SUNK HEAD BOLT 12X95 H	2	
132	363343390	HANDLE	1	

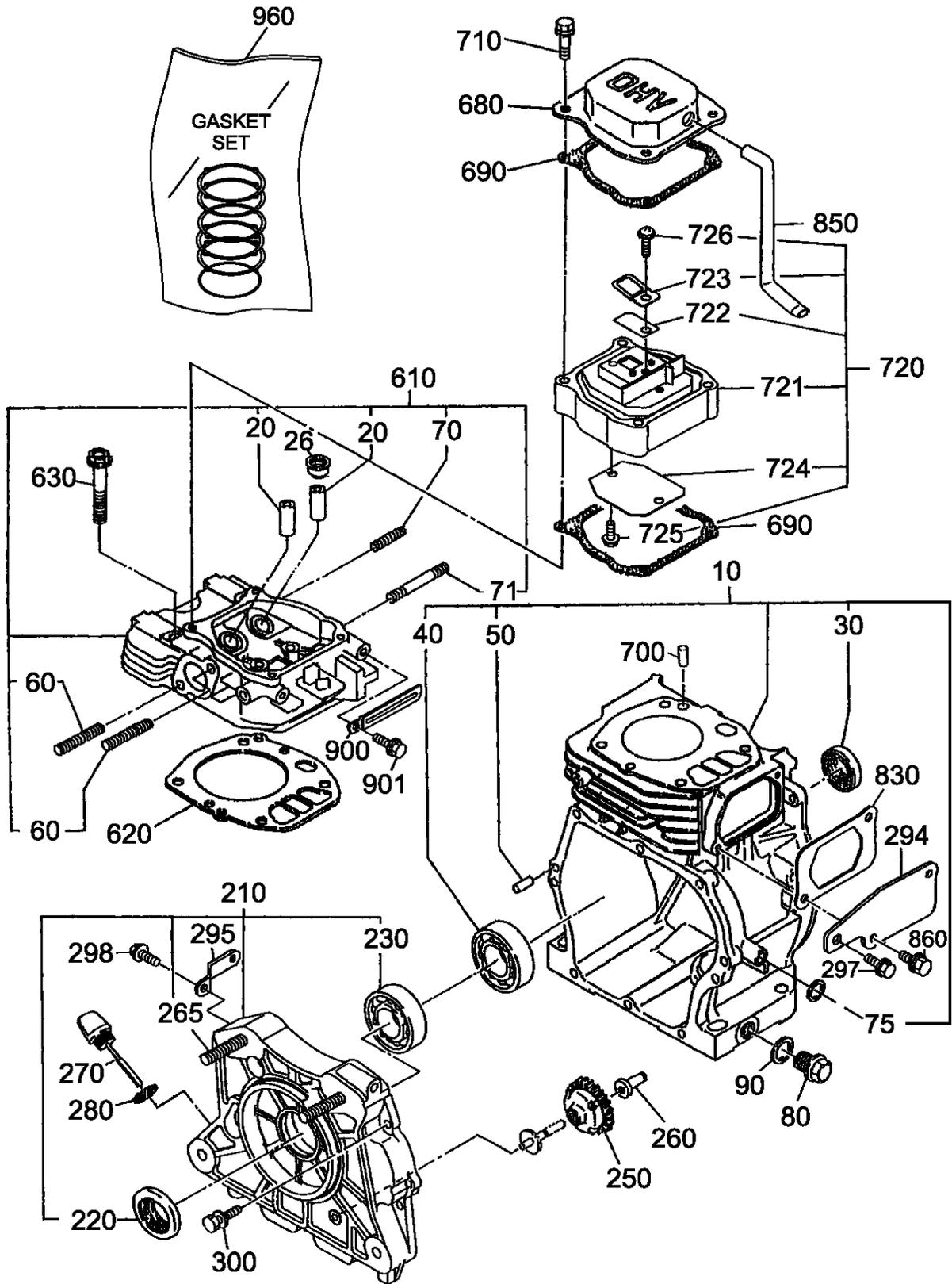
# FUEL TANK AND HANDLE ASSY.



## FUEL TANK AND HANDLE ASSY.

<u>NO.</u>	<u>PART NO.</u>	<u>PART NAME</u>	<u>QTY.</u>	<u>REMARKS</u>
A	305910036	FUEL TANK ASSY.....	1.....	INCLUDES ITEMS W/# REPLACES P/N 305910032
1	361118300	HANDLE	1	
5	351337070	SHOCK ABSORBER	2	
6	009110007	CAP, GT SA, 10X20	4	
7	012210020	BOLT 10X20 .....	4.....	REPLACES P/N 002211020
9#	363218260	FUEL TANK, GRAY .....	1.....	REPLACES P/N 362116890
12	001210830	BOLT 8X30 T	2	
13	022710809	NUT, NYLON M8	2	
14	030208200	WASHER, LOCK M8	2	
15	952401450	WASHER, FLAT 8.5X22X3	2	
16	954300720	FUEL COCK ASSY.	1	
17#	351437785	HOLDER, FUEL COCK	1	
18#	954406020	PACKING, COCK FUEL	1	
21#	954406010	STRAINER	1	
22#	361910070	CAP ASSY, TANK .....	1.....	INCLUDES ITEM W/%
22-1#%	353449010	STRAP, FUEL TANK CAP	1	
22-2#%	362458350	CAP SUB (B)	1	
22-3#	920208960	TAG, GASOLINE	1	
41	366217170	ROLLER, W/PIN	2	
42	0017105020	SCREW 5X20 .....	4.....	REPLACES P/N 091005020
43	022610505	FLANGE NUT M5 H	4	
44	58151	WASHER, FLAT M5 .....	4.....	REPLACES P/N 031105080
51	959328404	FUEL HOSE/B-95	1	
52	0561080020	CLAMP	4	
53	301419750	FILTER, FUEL	1	
54	959328405	FUEL HOSE	1	
91	361458840	STAY, SHOCK ABSORBER/R	1	
92	361458850	STAY, SHOCK ABSORBER/L	1	
93	012210025	BOLT 10X25 H, SW .....	4.....	REPLACES P/N 002211025
94	022131008	CAP NUT M10	4	
96	939010270	STOPPER RUBBER (70)	1	
97	030208200	WASHER, LOCK M8	1	
98	020108060	NUT M8.....	1.....	REPLACES P/N 020308060

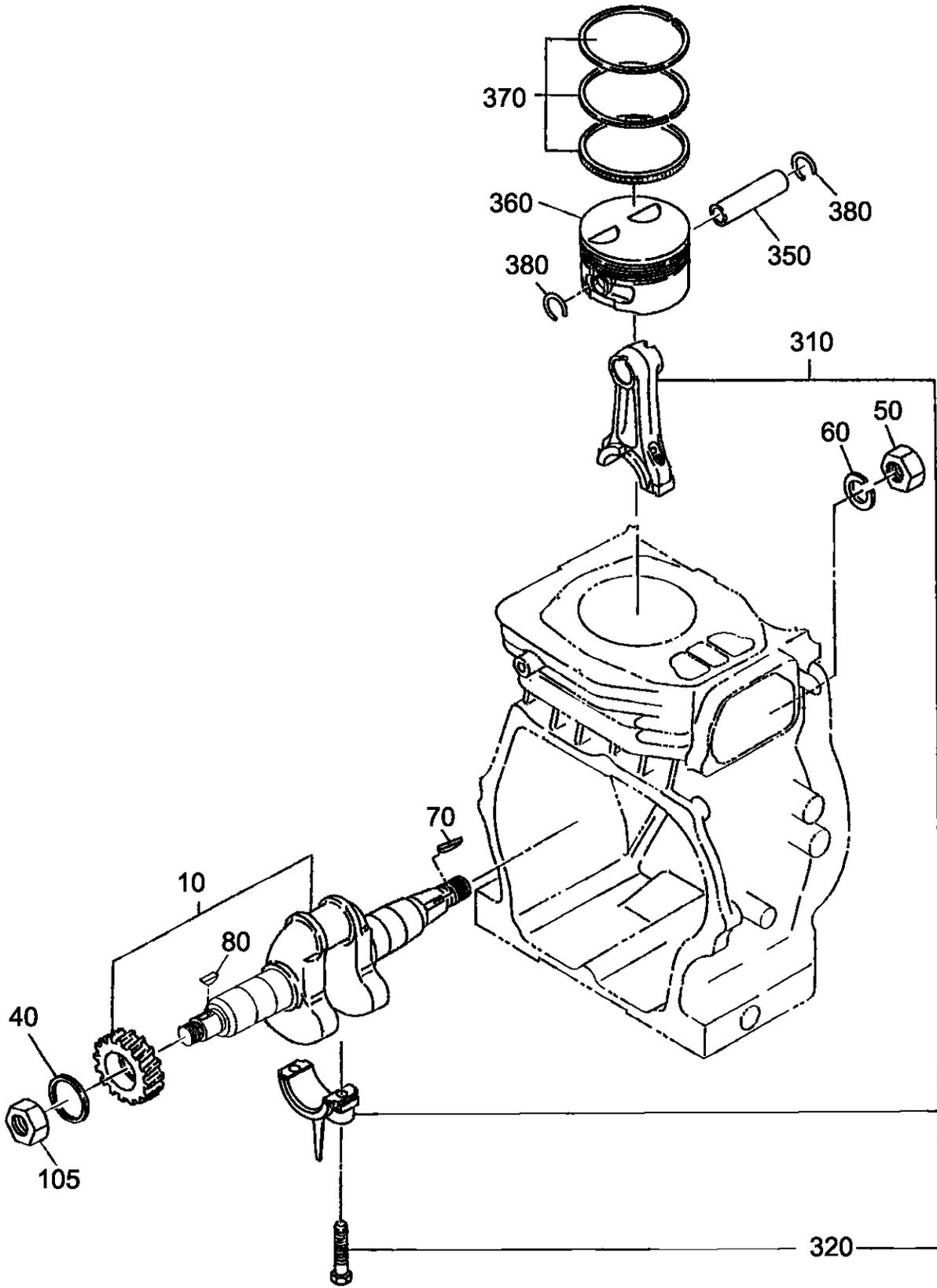
# ROBIN EH-12-2D46051 ENG. — CRANKCASE AND CYL. ASSY.



## ROBIN EH-12-2D46051 ENG. — CRANKCASE AND CYL. ASSY.

NO.	PART NO.	PART NAME	QTY.	REMARKS
10	2521030131	CRANKCASE.....	1.....	INCLUDES ITEMS W/% REPLACES P/N 2521030141
20#	2371420203	VALVE GUIDE, OVERSIZE	2	
26#	2771601001	STEM SEAL	1	
30%	0440250150	OIL SEAL	1	
40%	0600250010	BALL BEARING	1	
50%	0310060020	DOWEL PIN	2	
60#	0105080480	STUD	2	
70#	0105060131	STUD	1	
71#	0013906600	STUD	1	
75%	0440080010	OIL SEAL VC 8X14X4	1	
80	0401140030	PLUG	2	
90	0211140020	GASKET	2	
210	2521110121	MAIN BEARING COVER CP .....	1.....	INCLUDES ITEMS W/\$
220\$	0440250160	OIL SEAL	1	
230\$	0600250010	BALL BEARINGS, 6205C3	1	
250	2274500301	GOVERNOR GEAR COMPL	1	
260	2054190103	GOVERNOR SLEEVE	1	
265\$	0108100020	STUD	2	
270	2686360303	OIL GAUGE CP	1	
280	0213160020	GASKET	1	
294	2521700201	BRACKET CP (M.B.C.)	1	
295	2521700101	SUPPORT (M.B.C.)	1	
297	0011308160	BOLT AND WASHER ASSY.	1	
298	0011308160	BOLT AND WASHER ASSY.	2	
300	0130060200	BOLT AND WASHER ASSY.	8	
610	2681310121	CYLINDER HEAD CP .....	1.....	INCLUDES ITEMS W/#
620	2531500133	GASKET, HEAD	1	
630	0110080100	FLANGE BOLT	4	
680	2521550203	ROCKER COVER	1	
690	2691600403	GASKET, ROCKER COVER	2	
700	0310060020	DOWEL PIN	2	
710	0110060170	FLANGE BOLT, EY45V	4	
720	2521560120	SPACER ASSY, BREATHER .....	1.....	INCLUDES ITEMS W/@
721@	2521560103	SPACER, BREATHER	1	
722@	2521600103	LEAF VALVE	1	
723@	2521610103	RETAINER PLATE	1	
724@	2521440113	PLATE	1	
725@	0110060150	FLANGE BOLT EH11	2	
726@	0043506120	SCREW AND WASHER	1	
830	2681620103	GASKET, BREATHER COVER	1	
850	2521800203	RUBBER PIPE	1	
860	0011306160	BOLT AND WASHER ASSY.	2	
900	0566000250	CLAMP	1	
901	0110060020	FLANGE BOLT	1	
960	2689900207	GASKET SET	1	

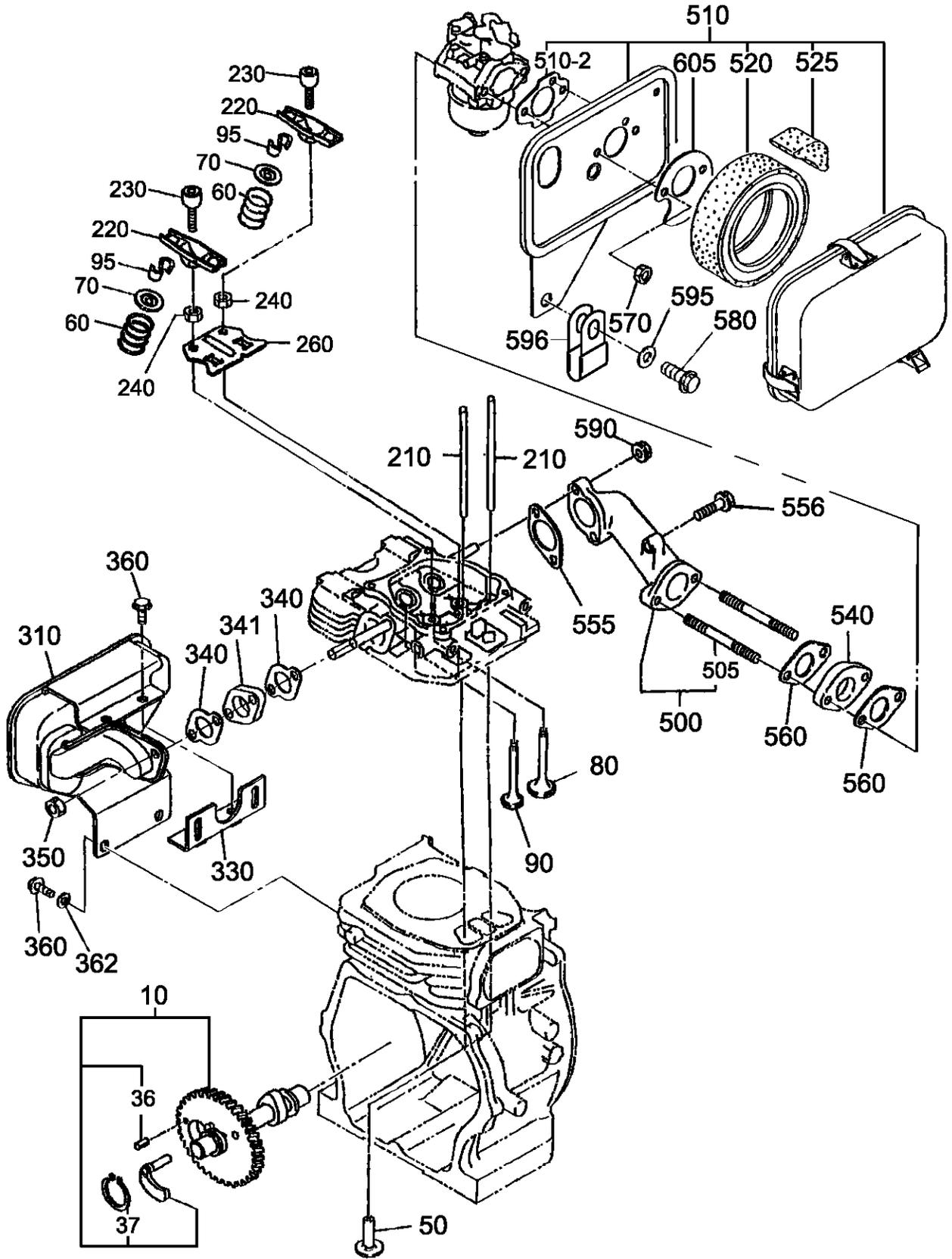
**ROBIN EH-12-2D46051 ENG. — CRNKSHFT. AND PISTON. ASSY.**



## ROBIN EH-12-2D46051 ENG. — CRNKSHFT. AND PISTON. ASSY.

<u>NO.</u>	<u>PART NO.</u>	<u>PART NAME</u>	<u>QTY.</u>	<u>REMARKS</u>
10	2682190101	CRANKSHAFT CP.....	1.....	REPLACES P/N 2682190111
40	0230250110	SPACER T=0.6.....	1.....	AS REQUIRED
40	0230250120	SPACER T=0.8.....	1.....	AS REQUIRED
40	0230250130	SPACER T=1.0.....	1.....	AS REQUIRED
50	0021814000	NUT	1	
60	0032014000	WASHER, LOCK	1	
70	0323030010	WOODRUFF KEY	1	
80	0053204201	WOODRUFF KEY	1	
105	0173120010	LOCK NUT	1	
310	2522250120	CONNECTING ROD ASSY.....	1.....	INCLUDES ITEM W/\$
320\$	2362300103	CONNECTING ROD BOLT	2	
350	2682330113	PISTON PIN	1	
360	26823401J3	PISTON STD.	1	
360	26823402J3	PISTON O.S. 0.25MM	1	
360	26823403J3	PISTON O.S. 0.50MM	1	
370	2522350117	PISTON RING SET, STD	1	
370	2522350217	PISTON RING SET, 0.25 O.S.	1	
370	2522350317	PISTON RING SET, 0.50 O.S.	1	
380	2152500403	CLIP	2	

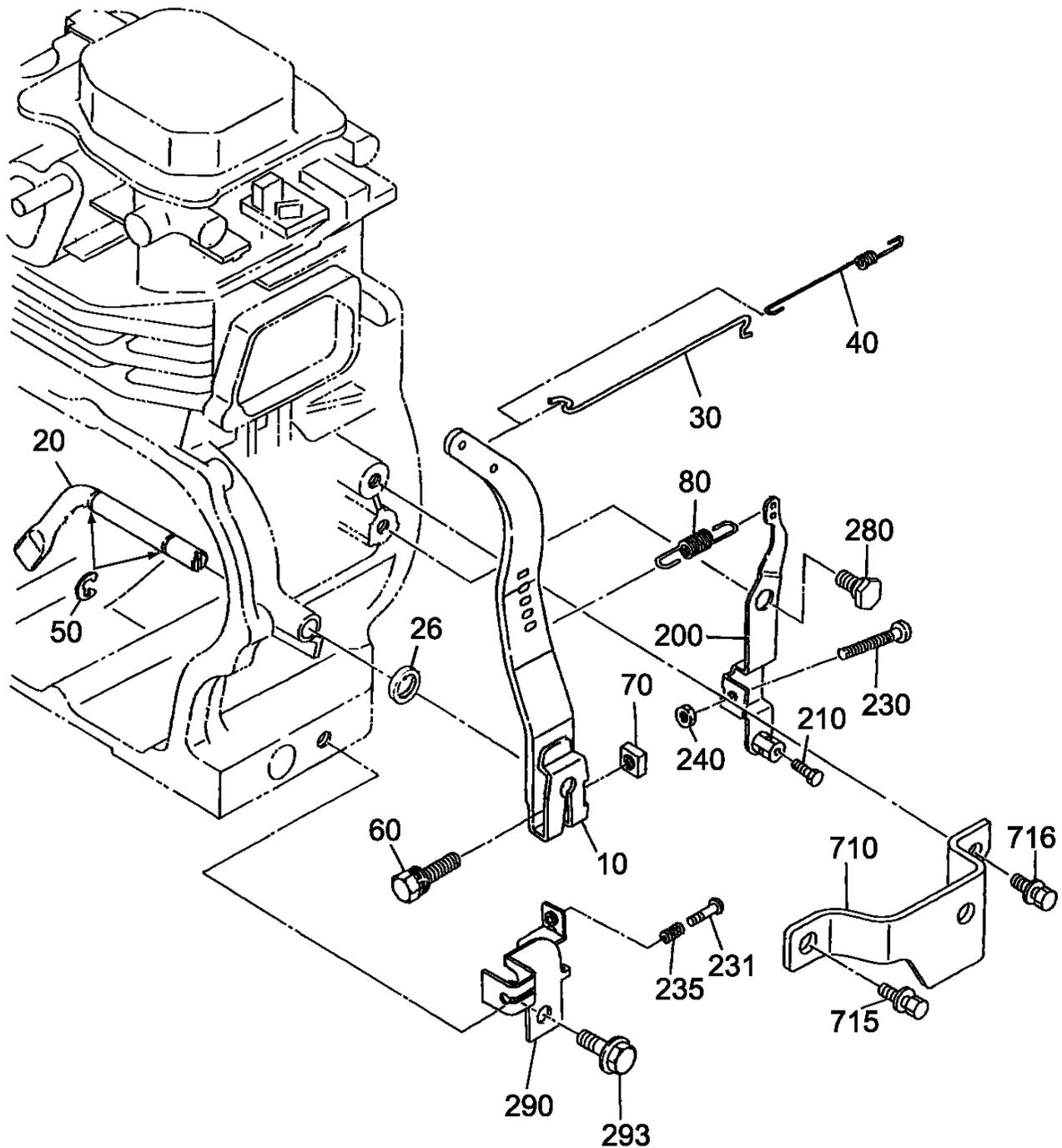
**ROBIN EH-12-2D46051 ENG. — MUFFLER, AIR CLEANER, CAM ASSY.**



# ROBIN EH-12-2D46051 ENG. — MUFFLER, AIR CLEANER, CAM ASSY.

<u>NO.</u>	<u>PART NO.</u>	<u>PART NAME</u>	<u>QTY.</u>	<u>REMARKS</u>
10	2533170111	CAMSHAFT CP .....	1.....	INCLUDES ITEMS W/#
36#	0051904100	SPRING PIN	1	
37#	0031522000	SNAP RING	1	
50	2393330113	TAPPET	2	
60	2533360103	VALVE SPRING	2	
70	2693370103	SPRING RETAINER	2	
80	2683340103	INTAKE VALVE	1	
90	2683350103	EXHAUST VALVE	1	
95	13210KA031	COLLECT VALVE	4	
210	2683530103	PUSH ROD	2	
220	2693600223	ROCKER ARM	2	
230	2693580103	BOLT, PIVOT	2	
240	0170060090	NUT	2	
260	2693650103	GUIDE PLATE	1	
310	2523040111	MUFFLER CP	1	
330	2523700111	BRACKET CP	1	
340	2533520103	GASKET, MUFFLER	2	
341	2523650123	SPACER, EXHAUST	1	
350	0176080030	SELF-LOCK NUT	2	
360	0011308160	BOLT AND WASHER ASSY.	4	
362	0031008000	WASHER .....	2.....	REPLACES P/N 0031108000
500	2683300311	INTAKE PIPE CP	1	
505	0105060230	STUD	2	
510	2523271140	AIR CLEANER ASSY.....	1.....	INCLUDES ITEMS W/\$
510-2\$	2263272008	PACKING	1	
520\$	2523260207	ELEMENT, SET	1	
525	2523261408	ELEMENT	1	
540	1063291203	INSULATOR	1	
555	2823590103	GASKET (INSULATOR)	1	
556	0011406400	BOLT AND WASHER ASSY.	1	
560	2363590303	GASKET (CARBURETOR)	2	
570	0176060030	SELF LOCK NUT	2	
580	0011308180	BOLT AND WASHER ASSY.	1	
590	0023706000	FLANGE NUT .....	2.....	REPLACES P/N 0023806000
595	0031008000	WASHER .....	1.....	REPLACES P/N 0200080080
596	959006120	CLAMP	1	
605	2523650203	PLATE, AIR CLEANER	1	

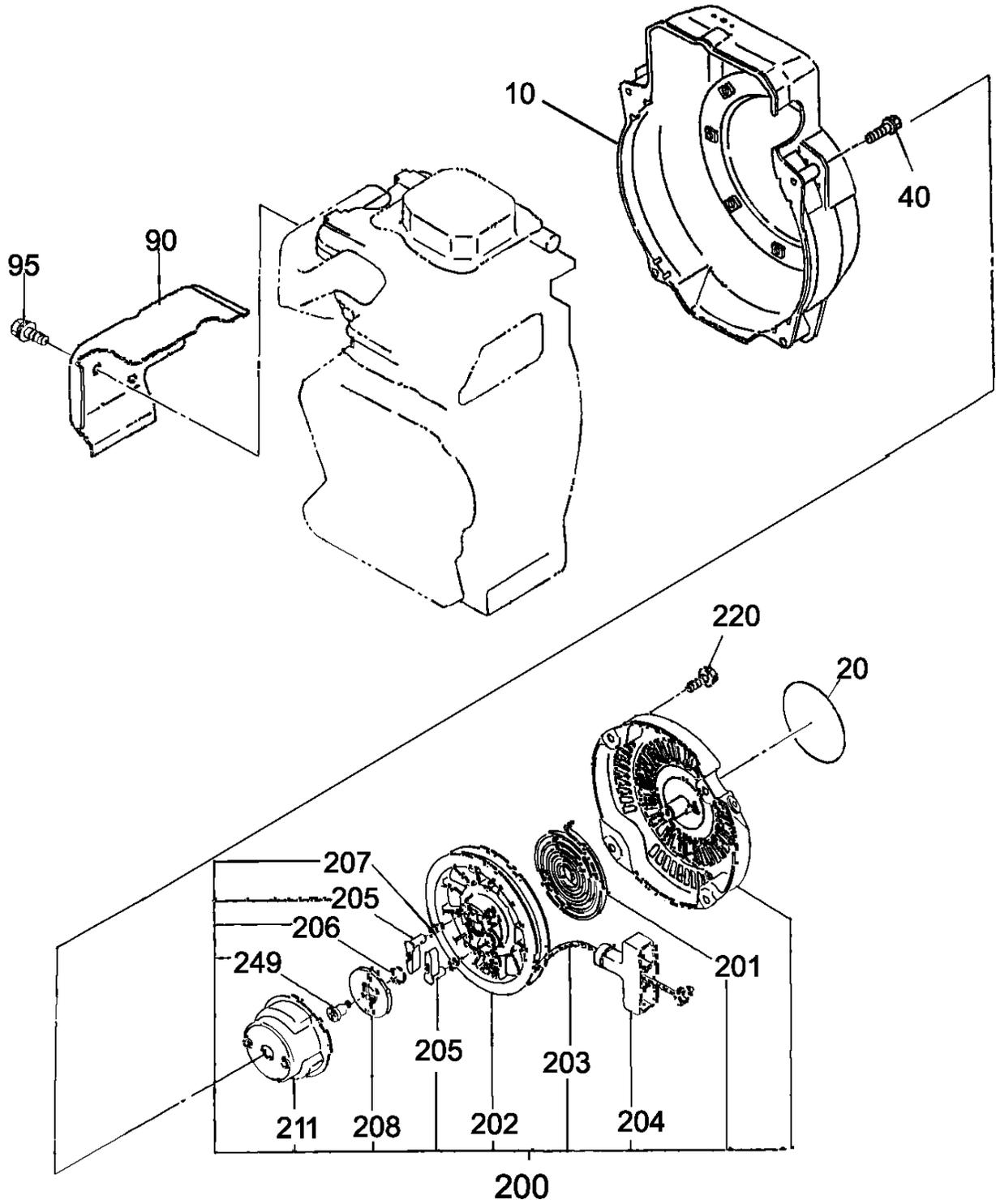
# ROBIN EH-12-2D46051 ENGINE — GOVERNOR ASSY.



## ROBIN EH-12-2D46051 ENGINE — GOVERNOR ASSY.

<u>NO.</u>	<u>PART NO.</u>	<u>PART NAME</u>	<u>QTY.</u>	<u>REMARKS</u>
10	2524230303	GOVERNOR LEVER CP	1	
20	2274220103	GOVERNOR SHAFT	1	
26	0031008000	WASHER, FLAT .....	1	REPLACES P/N 0031108000
30	2544270101	GOVERNOR ROD CP	1	
40	2544280103	ROD SPRING	1	
50	0031306000	CLIP	2	
60	0011406300	BOLT AND WASHER ASSY.	1	
70	0186060020	NUT	1	
80	2524250323	GOVERNOR SPRING	1	
200	2524340230	SPEED CONTROL ASSY.	1	
210	0116040030	BOLT	1	
230	0043105250	SCREW, PAN HEAD	1	
231	0140040020	SCREW.....	1	REPLACES P/N 0043104250
235	2054600323	CONTROL SPRING	1	
240	0021705000	NUT	1	
280	22643101A1	LINK PIVOT .....	1	REPLACES P/N 2264310101
290	2684420201	WIRE BRACKET	1	
293	0110060030	FLANGE BOLT	1	
710	2524280111	PROTECTOR CP, GOVERNOR	1	
715	0011308160	BOLT AND WASHER ASSY.	1	
716	0110060030	FLANGE BOLT	1	

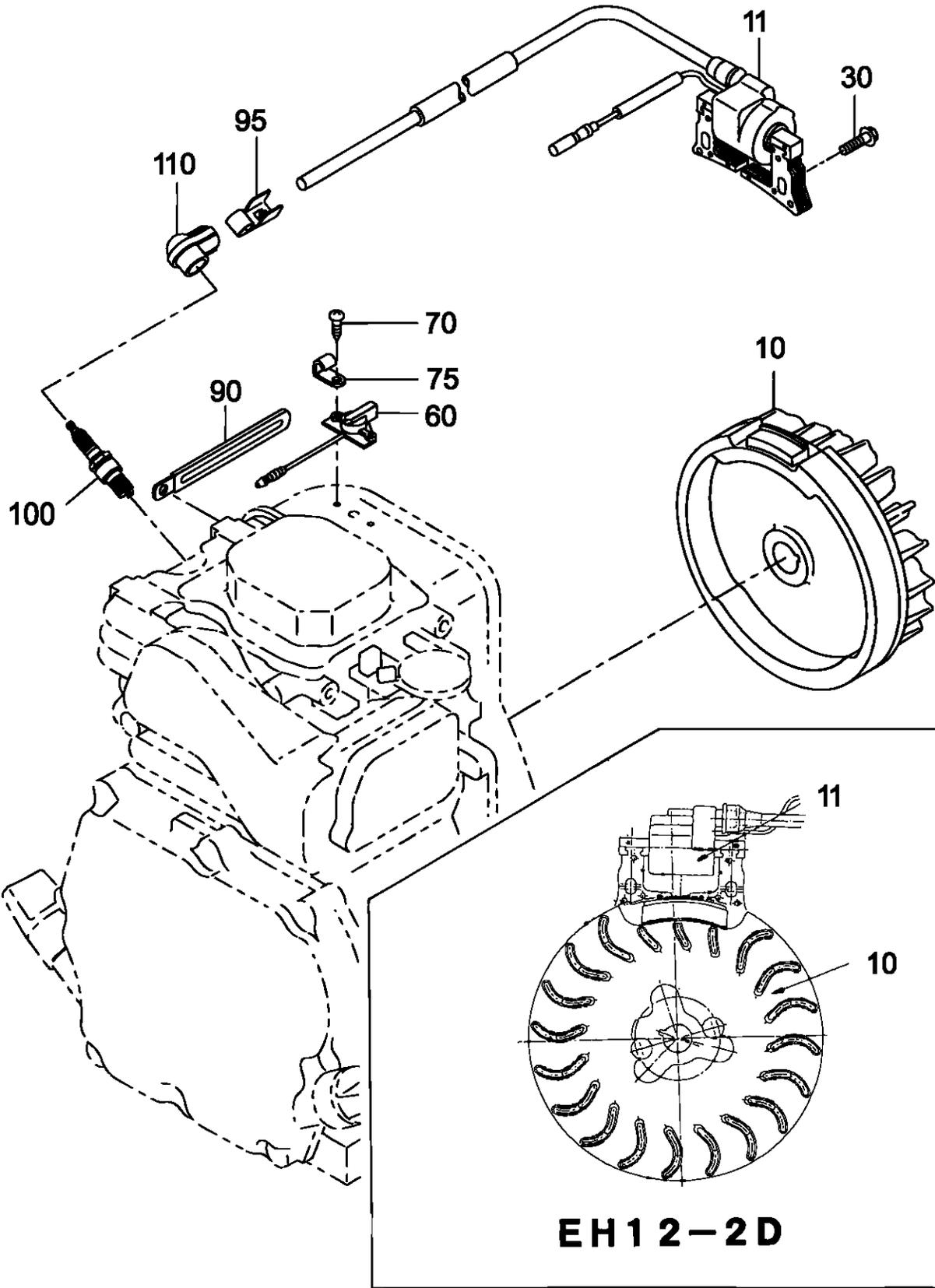
# ROBIN EH-12-2D46051 ENG. — RECOIL STARTER ASSY.



## ROBIN EH-12-2D46051 ENG. — RECOIL STARTER ASSY.

<u>NO.</u>	<u>PART NO.</u>	<u>PART NAME</u>	<u>QTY.</u>	<u>REMARKS</u>
10	2525165221	BLOWER HOUSING CP 2	1	
20	920100240	DECAL: M-MARK	1	
40	0011406550	BOLT AND WASHER ASSY.	4	
90	2685270303	HEAD COVER	1	
95	0110060140	FLANGE BOLT	2	
200	2685020140	RECOIL STARTER ASSY. ....	1.....	INCLUDES ITEMS W/\$
201\$	2705011508	SPIRAL SPRING	1	
202\$	2695012008	REEL	1	
203\$	2825011118	STARTER ROPE	1	
204\$	2615010018	STARTER KNOB	1	
205\$	2705012508	RATCHET	2	
206\$	2275013108	FRICTION SPRING	1	
207\$	2275013508	RETURN SPRING	2	
208\$	2705026108	RATCHET GUIDE	1	
211\$	2685014508	STARTER PULLEY	1	
220	957010600800	FLANGE BOLT.....	4.....	REPLACES P/N 0110060010
249\$	2275015208	SET SCREW	1	

**ROBIN EH-12-2D46051 ENGINE — MAGNETO ASSY.**

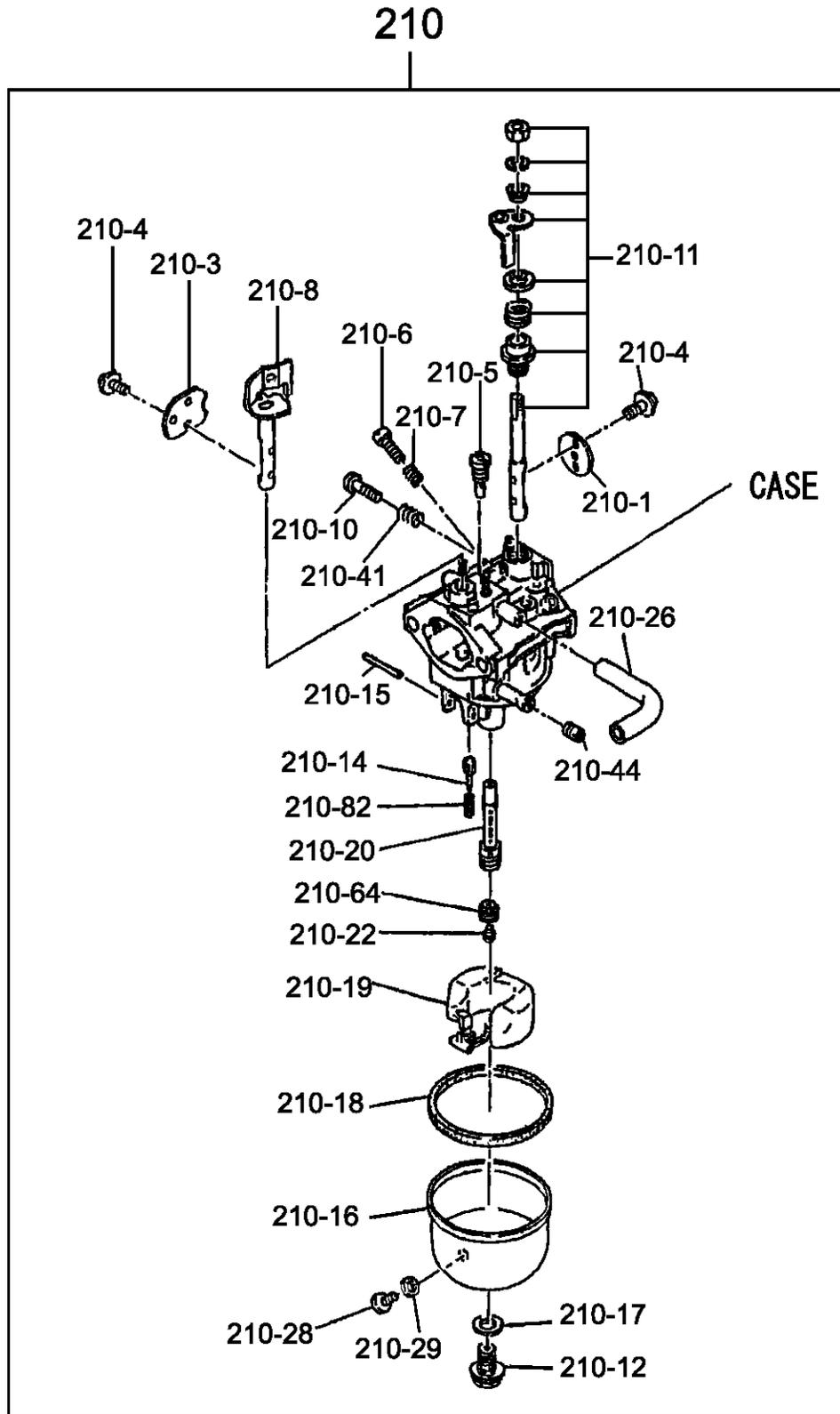


## **ROBIN EH-12-2D46051 ENGINE — MAGNETO ASSY.**

---

<u>NO.</u>	<u>PART NO.</u>	<u>PART NAME</u>	<u>QTY.</u>	<u>REMARKS</u>
10	2687933201	FLYWHEEL CP	1	
11	2697943021	IGNITION COIL CP	1	
30	0011406250	BOLT AND WASHER ASSY.	2	
60	0660000481	STOP SWITCH ASSY. (ON-OFF)	1	
70	0150040090	TAPPING SCREW	2	
75	0566030010	CLAMP	1	
90	0566000250	CLAMP	1	
95	0659000010	SPARK PLUG CLIP	1	
100	0650140580	SPARK PLUG, BR6ES	1	
110	2307510113	SPARK PLUG CAP	1	

# ROBIN EH-12-2D46051 ENGINE — CARBURETOR ASSY.



## ROBIN EH-12-2D46051 ENGINE — CARBURETOR ASSY.

<u>NO.</u>	<u>PART NO.</u>	<u>PART NAME</u>	<u>QTY.</u>	<u>REMARKS</u>
210	2526255120	CARBURETOR ASSY.	1	
210-1	2526253508	THROTTLE VALVE	1	
210-3	2366252808	CHOKE VALVE	1	
210-4	2376245108	SCREW	4	
210-5	2166230308	PILOT JET	1	
210-6	2466243608	PILOT SCREW	1	
210-7	2306244608	SPRING	1	
210-8	2526252108	CHOKE SHAFT	1	
210-10	2466243508	ADJUST SCREW	1	
210-11	1616253008	SHAFT ASSY. (THROTTLE)	1	
210-12	2366245108	BOLT	1	
210-14	1616235208	NEEDLE	1	
210-15	2146251508	FLOAT PIN	1	
210-16	2366255208	FLOAT CHAMBER BODY	1	
210-17	2366245008	PACKING	1	
210-18	2366254008	PACKING, CHAMBER	1	
210-19	2366250508	FLOAT	1	
210-20	2526244008	MAIN NOZZLE	1	
210-22	2526240208	MAIN JET	1	
210-26	1616235308	HOSE	1	
210-28	2366235008	SCREW	1	
210-29	2366254108	PACKING	1	
210-41	2096244508	SPRING .....	1	REPLACES P/N 2106231808
210-44	1616240008	MAIN JET	1	
210-64	2356242508	GUIDE HOLDER	1	
210-82	2366244508	SPRING	1	