

PARTS MANUAL



Mikasa **SERIES**
MODEL MT-74F
TAMPING RAMMER
(ROBIN GASOLINE ENGINE)

Revision #13 (10/01/20)

THIS MANUAL MUST ACCOMPANY THE EQUIPMENT AT ALL TIMES.

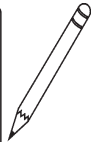
MT-74F — SUGGESTED SPARE PARTS

MT-74F RAMMER 1 TO 3 UNITS

QTY	PART NO	DESCRIPTION	REMARKS
1	956225020	LEVER, THROTTLE	S/N L1291 AND BELOW
1	362455630	LEVER, THROTTLE	S/N L1292 AND ABOVE
1	956106040	THROTTLE WIRE	S/N L1291 AND BELOW
1	956100045	THROTTLE WIRE	S/N L1292 AND ABOVE
3	354030030	ELEMENT, YELLOW	
3	354030040	ELEMENT, GRAY	
1	361910020	CAP, FUEL TANK	
1	954300390	COCK, FUEL ASSY.	S/N L1291 AND BELOW
1	954300720	COCK, FUEL ASSY.	S/N L1292 AND ABOVE
1	954404890	FILTER, FUEL TANK	S/N M2534 AND BELOW
2	301419750	FILTER, IN-LINE FUEL	
3	2523260107	ELEMENT, SET	
1	0660000371	STOP SWITCH ASSY	
3	0650140580	SPARK PLUG	
1	954405080	STRAINER, FUEL TANK	
1	2695011008	ROPE, RECOIL STARTER	

MT-74F RAMMER 3 TO 5 UNITS

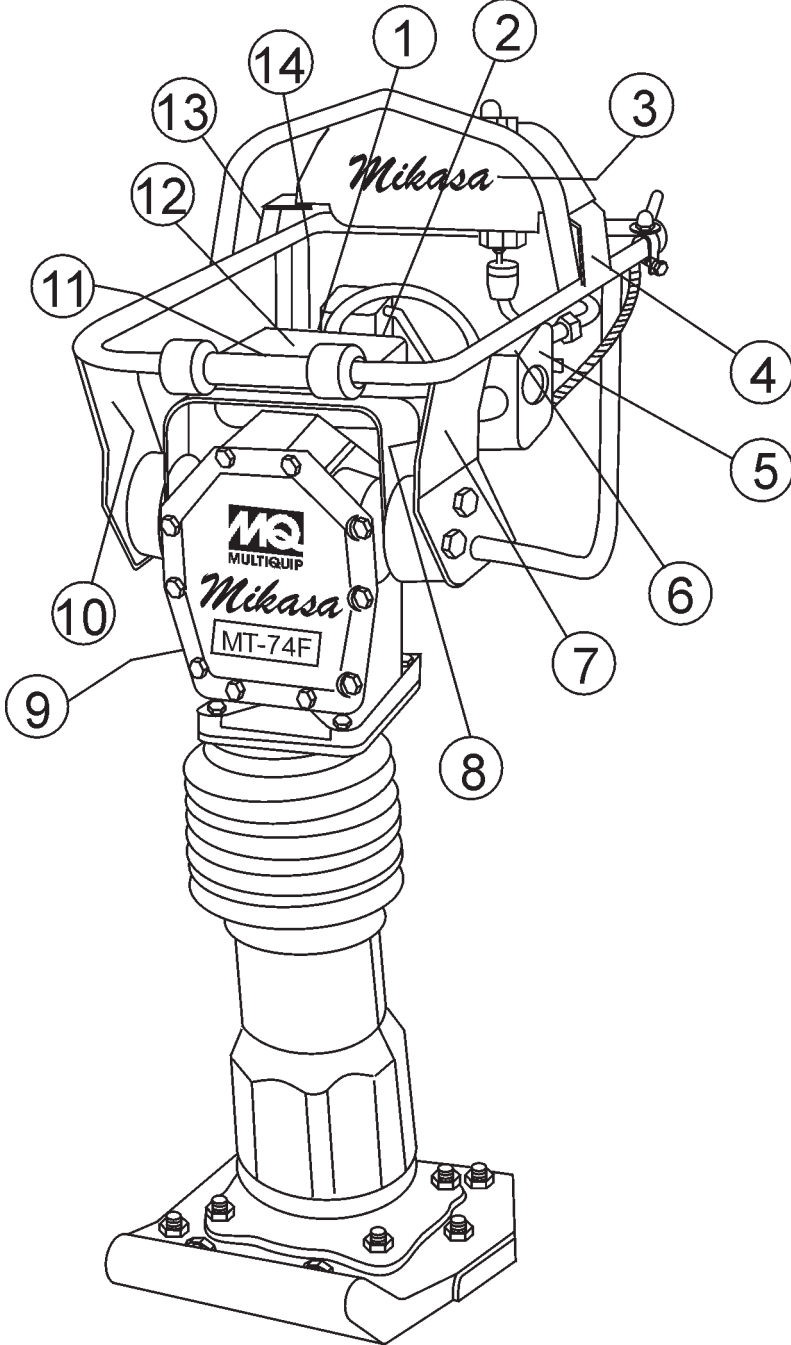
QTY	PART NO	DESCRIPTION	REMARKS
1	956225020	LEVER, THROTTLE	S/N L1291 AND BELOW
1	362455630	LEVER, THROTTLE	S/N L1292 AND ABOVE
1	956106040	THROTTLE WIRE	S/N L1291 AND BELOW
1	956100045	THROTTLE WIRE	S/N L1292 AND ABOVE
5	354030030	ELEMENT, YELLOW	
5	354030040	ELEMENT, GRAY	
2	354329380	CLAMP, BELLOWS	
1	354010010	BELLOWS	
1	361910020	CAP, FUEL TANK	
1	954300390	COCK, FUEL ASSY.	S/N L1291 AND BELOW
1	954300720	COCK, FUEL ASSY.	S/N L1292 AND ABOVE
2	954404890	FILTER, FUEL TANK	S/N M2534 AND BELOW
5	301419750	FILTER, IN-LINE FUEL	
5	2523260107	ELEMENT, SET	
1	0660000371	STOP SWITCH ASSY	
5	0650140580	SPARK PLUG	
1	954405080	STRAINER, FUEL TANK	
2	2695011008	ROPE, RECOIL STARTER	
1	362454441	CLUTCH ASSY	



Part numbers on this Suggested Spare Parts List may supersede/replace the P/N shown in the text pages of this book.

MT-74F— NAMEPLATE AND DECAL

NAME PLATE AND DECALS



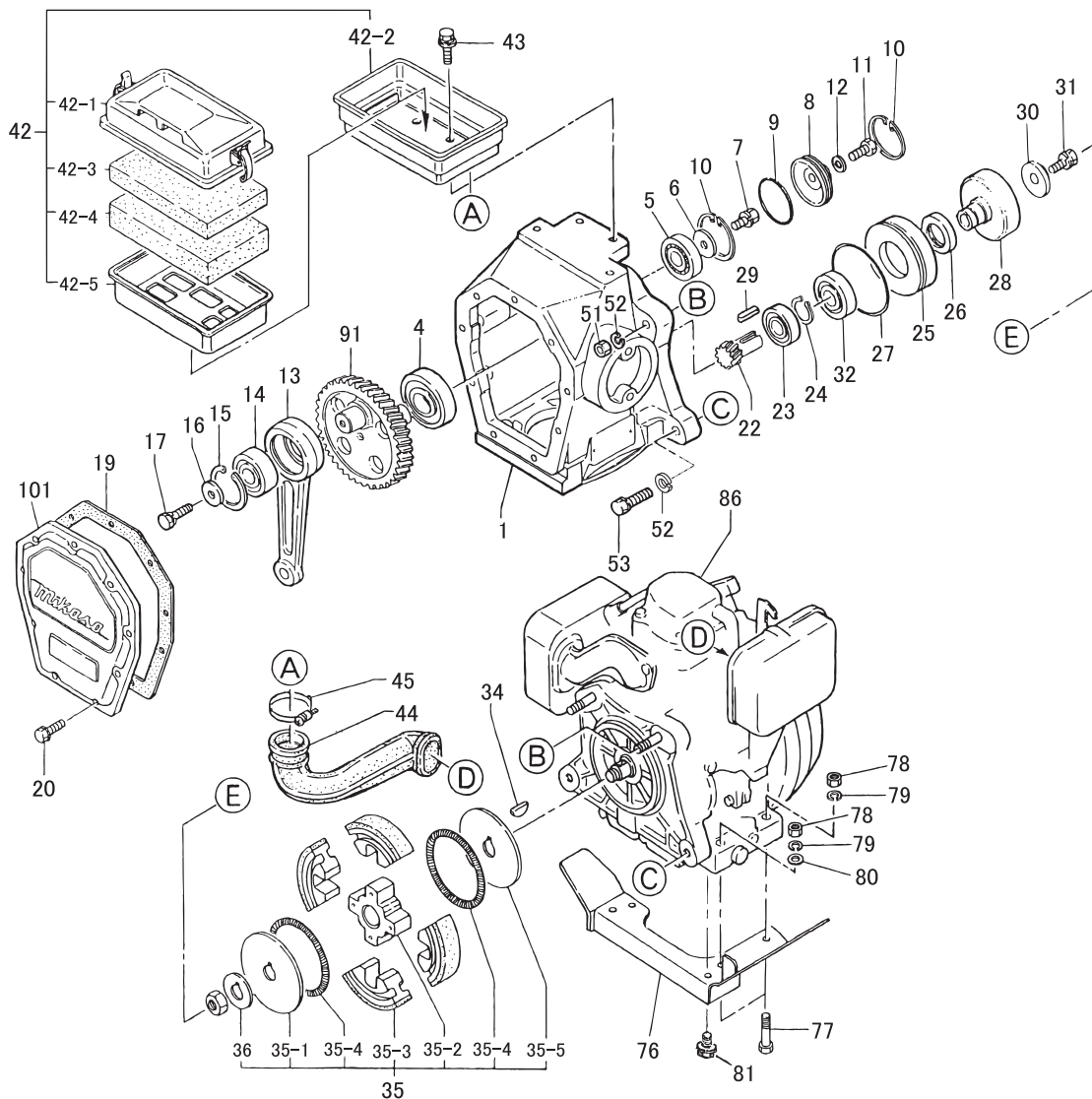
MT-74F— NAMEPLATE AND DECAL

NAME PLATE AND DECALS

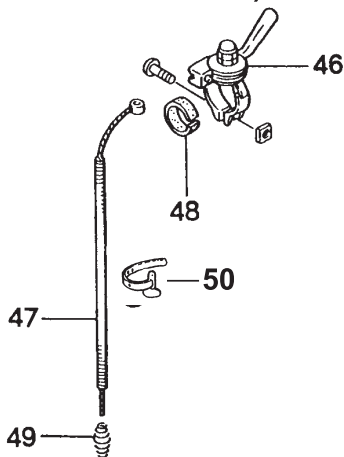
<u>NO</u>	<u>PART NO</u>	<u>PART NAME</u>	<u>QTY.</u>	<u>REMARKS</u>
1	920202930	DECAL: START SWITCH	1	NPA-293
2	920206020	DECAL: 3400 ~ 3600 RPM	1	
3	920106460	DECAL: MIKASA	1	
4	920206290	DECAL: READ OWNER'S MANUAL	1	NPA-629
5	1073273308	DECAL: NOTICE	1	NPA-831
6	0732004430	DECAL: START SWITCH	1	
7	0732004450	DECAL: WARNING	1	
8	920203290	DECAL: CAUTION	1	NPA-329
9		PLATE, SERIAL NO.	1	CONTACT MQ PARTS DEPT. W/ MODEL & S/N
10	920107000	DECAL: OIL	1	NP-700
11	920204370	DECAL: PRE-CLEANER	1	NPA-437
12	920206240	DECAL: START/STOP ENGINE	1	NPA-624
13	920203330	DECAL: EAR PROTECTION	1	NPA-333
14	920203990	DECAL: CLOSE FUEL COCK	1	NPA-399

MT-74F — CRANKCASE AND ENGINE ASSY.

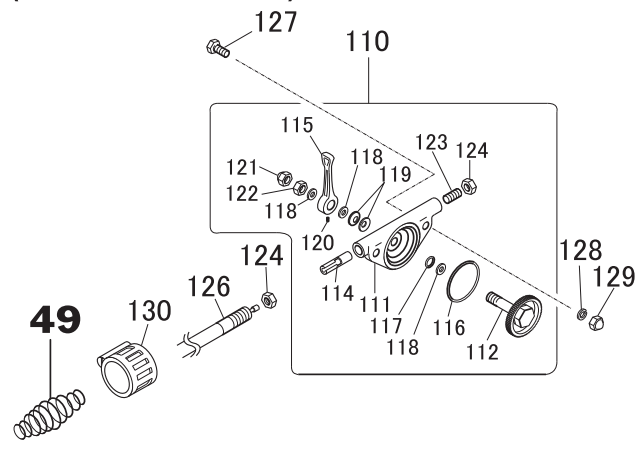
CRANKCASE AND ENGINE ASSY.



OLD THROTTLE (S/N L1291 & below)



NEW THROTTLE (S/N L1292 & above)

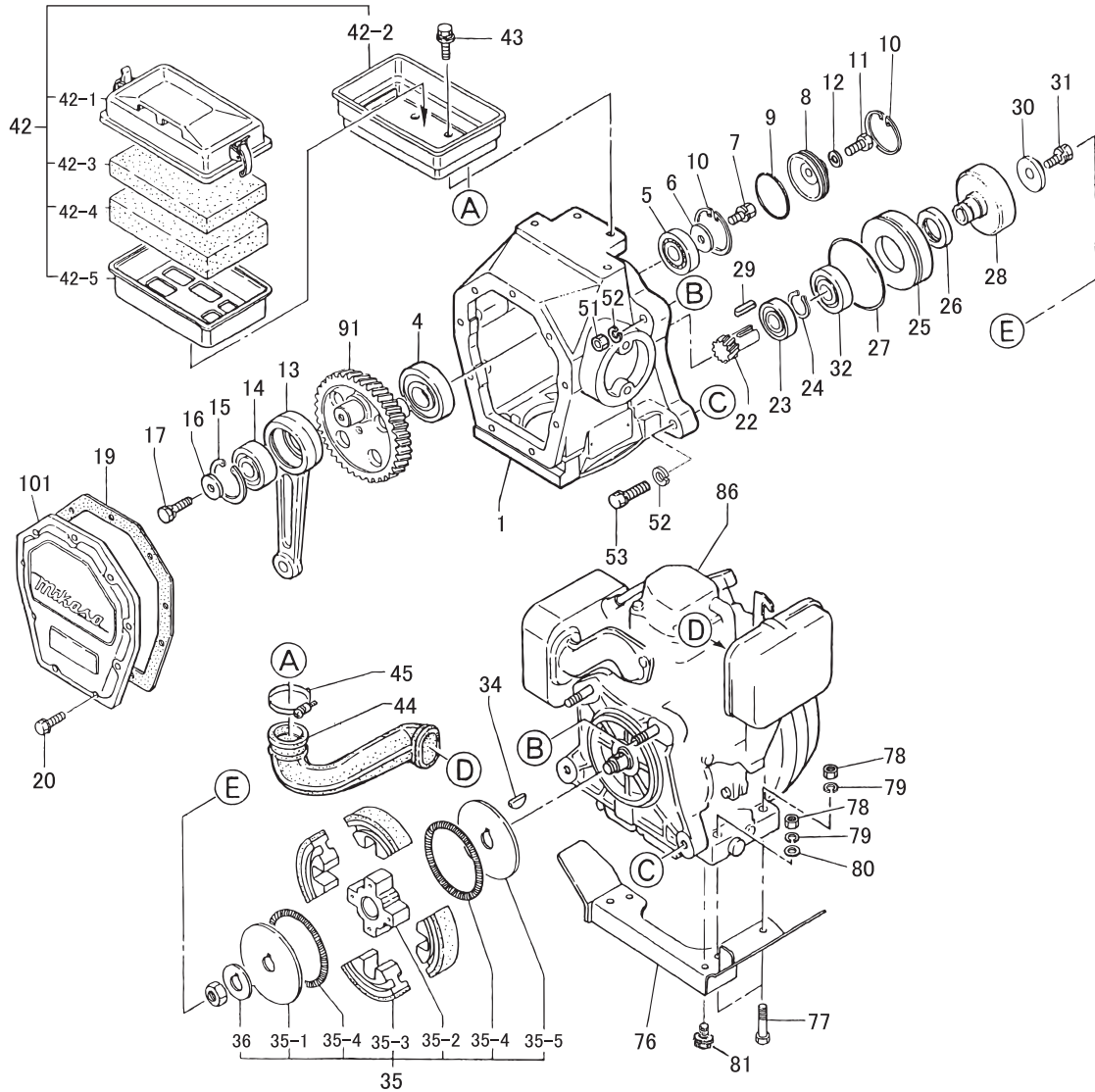


MT-74F — CRANKCASE AND ENGINE ASSY.

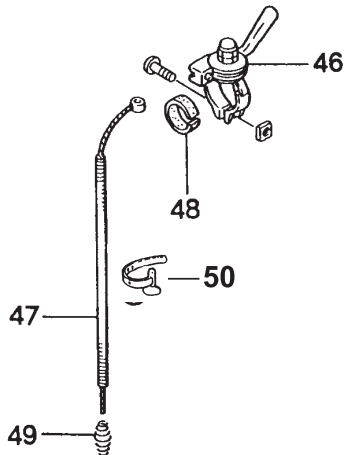
CRANKCASE AND ENGINE ASSY.

NO.	PART NO.	PART NAME	QTY.	REMARKS
1	371113331	CRANK CASE	1	REPLACES 371113330
4	040006207	BEARING 6207	1	
5	040006204	BEARING 6204	1	
6	952400130	WASHER 9304	1	
7	002210825	BOLT 8X25 H, SW	1	
8	371447650	BEARING COVER	1	
9	050300480	O-RING S-48	1	
10	080100480	STOP RING R-48	2	
11	001220610	BOLT 6X10 T	1	
12	031106100	WASHER M5	1	
13	371334730	CONNECTING ROD	1	
14	040006304	BEARING 6304	1	
15	080100520	STOP RING R-52	1	
16	952400130	WASHER 9304	1	
17	002210825	BOLT 8X25 H, SW	1	
19	352444450	PACKING, FRONT COVER	1	
20	002200620	BOLT 6X20 H, SW	9	REPLACES 002210620
22	361449320	PINION	1	
23	040006204	BEARING 6204	1	
24	080200350	STOP RING S-35	1	
25	371449600	SPACER	1	
26	060404010	OIL SEAL TC-40528	1	
27	050101000	O-RING G-100	1	
28	361449330	CLUTCH DRUM	1	
29	952405610	KEY 5X5X19R	1	
30	952405490	LOCK WASHER	1	
31	002210820	BOLT 8X20 H, SW	1	
32	041006007	BEARING 6007Z	1	
34	0053204201	WOODRUFF KEY	1	
35	362454441	CLUTCH ASSY C812E	1	REPLACES 301421363 INCLUDES ITEMS W/ *
35-1*	943060020	CLUTCH GUIDE/B	1	
35-2*	943050050	CLUTCH BOSS C812	1	
35-3*	943020020	CLUTCH SHOE C812	4	
35-4*	943030021	CLUTCH SPRING C812	2	REPLACES 943030020
35-5*	943060100	CLUTCH GUIDE/A 1T	1	REPLACES 943060010
36*	301010210	LOCK WASHER, CLUTCH	1	
42	361213800	AIR CLEANER ASSY	1	INCLUDES ITEMS W/ #
42-1#	354030011	BODY W/CLEANER	1	
42-2#	361010020	BACK PLATE CP	1	
42-3#	354030030	ELEMENT, YELLOW	1	
42-4#	354030040	ELEMENT, GRAY	1	
42-5#	354030050	ELEMENT FRAME	1	

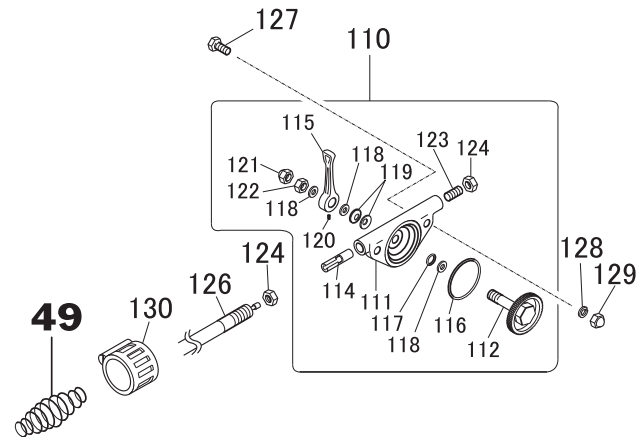
MT-74F — CRANKCASE AND ENGINE ASSY.



OLD THROTTLE (S/N L1291 & below)



NEW THROTTLE (S/N L1292 & above)



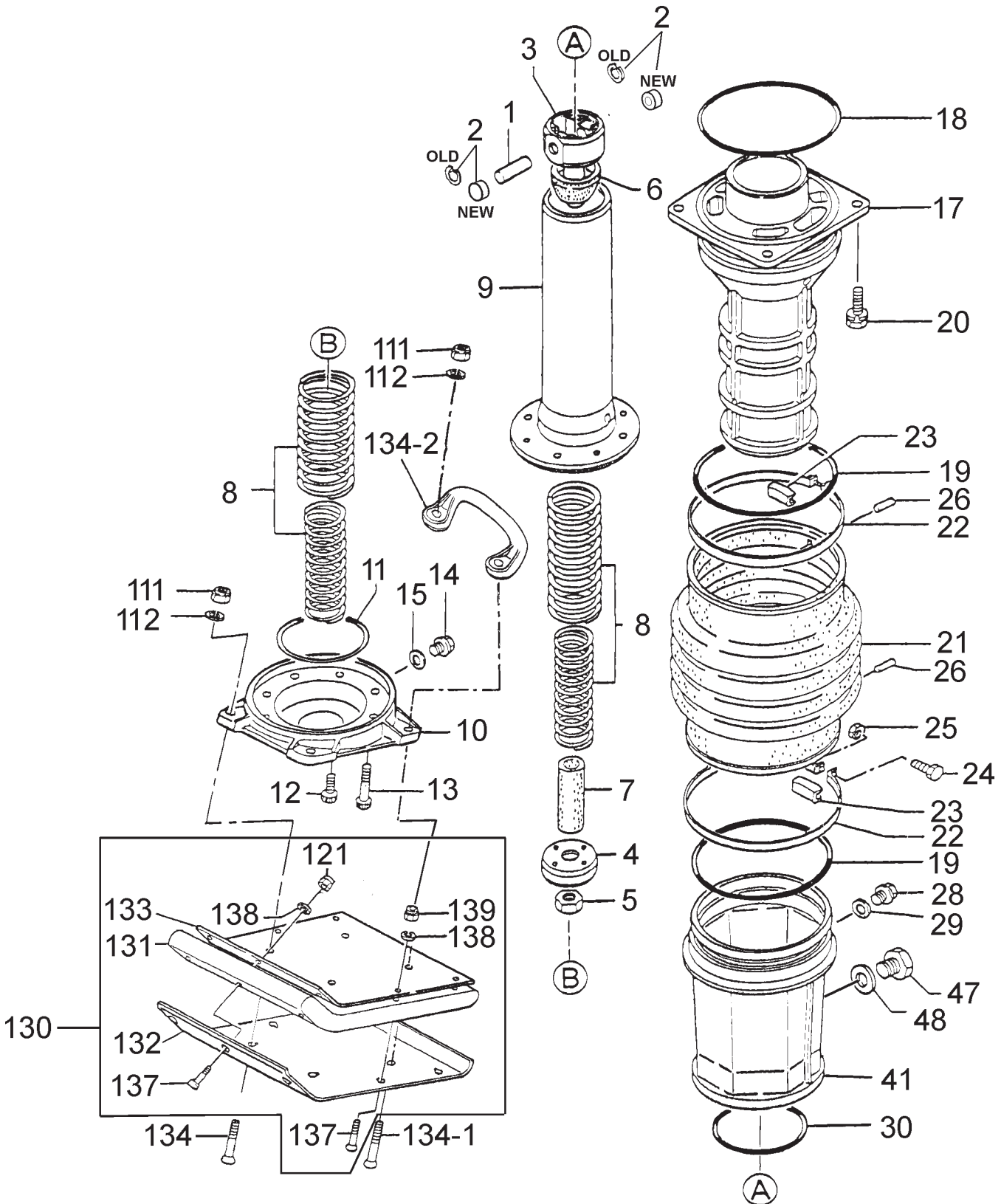
MT-74F — CRANKCASE AND ENGINE ASSY.

CRANKCASE AND ENGINE ASSY. CONTINUED

<u>NO</u>	<u>PART NO</u>	<u>PART NAME</u>	<u>QTY.</u>	<u>REMARKS</u>
43	002210820	BOLT 8X20 H, SW	4	
44	361336010	INTAKE PIPE	1	
45	954010230	HOSE BAND (B)	1	
46	956225020	THROTTLE LEVER ASSY	1	S/N L1291 AND BELOW
47	956106040	THROTTLE WIRE S620-740	1	S/N L1291 AND BELOW
48	959403750	RUBBER, SLIP STOP	1	S/N L1291 AND BELOW
49	301010950	RETURN SPRING	1	S/N L1291 AND BELOW
49	830000010	COIL SPRING	1	S/N L1292 AND ABOVE
50	303010450	BAND	1	S/N L1291 AND BELOW
51	020310080	NUT M10	2	
52	030210250	WASHER M10	2	
53	001221050	BOLT 10X50 H, SW	2	REPLACES 002211050
76	361336390	UNDER PROTECTOR	1	
77	001220840	BOLT 8X40 T	4	
78	020308060	NUT M8	4	
79	030208200	WASHER M8	4	
80	031108160	WASHER M8	4	
81	011308180	BOLT AND WASHER ASSY	2	
86	911201201	ENGINE ASSY EH12-2D	1	
91	361335870	CRANK GEAR	1	
101	361010030	FRONT COVER	1	REPLACES 361010010
110	362910060	THROTTLE LEVER ASSY	1	S/N L1292 AND ABOVE INCLUDES ITEMS W/ %
111%	362341550	THROTTLE BODY	1	S/N L1292 AND ABOVE
112%	362910090	THROTTLE GEAR CP, W/ BOLT	1	S/N L1292 AND ABOVE
114%	362455620	SLIDER	1	S/N L1292 AND ABOVE
115%	362455630	THROTTLE LEVER	1	S/N L1292 AND ABOVE
116%	050100450	O-RING G-45	1	S/N L1292 AND ABOVE
117%	050200100	O-RING P-10	1	S/N L1292 AND ABOVE
118%	031110160	PW M10	3	S/N L1292 AND ABOVE
119%	032110180	CONICAL SPRING WASHER M10..	2	S/N L1292 AND ABOVE
120%	096206006	SOCKET HEAD SCREW 6 X 6	1	S/N L1292 AND ABOVE
121%	022131008	CAP NUT M10	1	S/N L1292 AND ABOVE
122%	020410060	NUT M10	1	S/N L1292 AND ABOVE
123%	096208020	SOCKET HEAD SCREW 8X20	1	S/N L1292 AND ABOVE
124	020408050	NUT M8	2	S/N L1292 AND ABOVE
126	956100045	THROTTLE WIRE	1	S/N L1292 AND ABOVE
127	001220620	BOLT 6X20 T	2	S/N L1292 AND ABOVE
128	030206150	SW M6	2	S/N L1292 AND ABOVE
129	022130605	CAP NUT M6	2	S/N L1292 AND ABOVE
130	303010450	BAND	1	S/N L1292 AND ABOVE

MT-74F — GUIDE CYLINDER AND FOOT ASSY.

GUIDE CYLINDER AND FOOT ASSY.



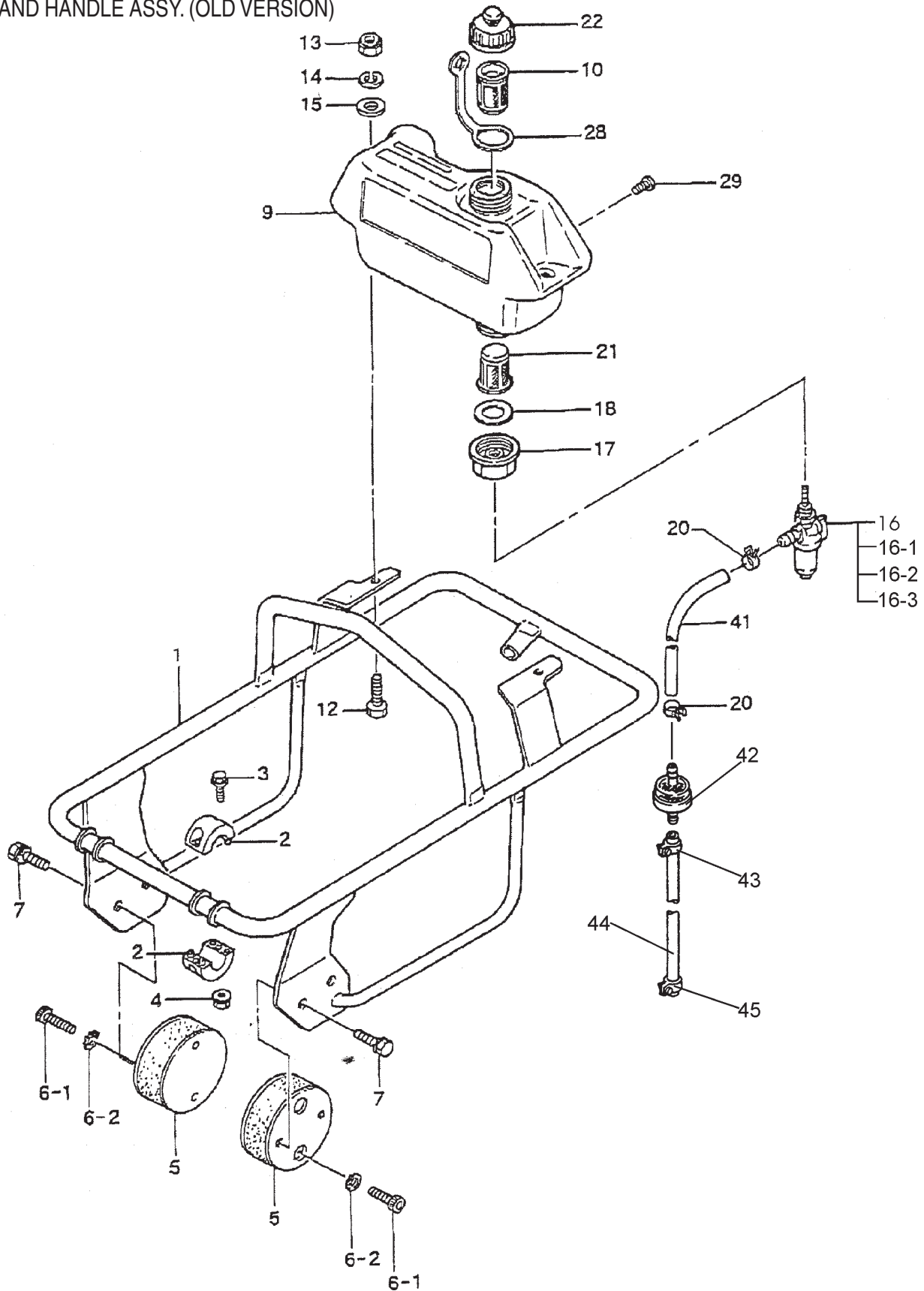
MT-74F — GUIDE CYLINDER AND FOOT ASSY.

GUIDE CYLINDER AND FOOT ASSY.

NO.	PART NO.	PART NAME	QTY.	REMARKS
1	352423290	PISTON PIN	1	
2	080100150	STOP RING R-15	1	S/N M3419 AND BELOW
2	363457870	PISTON PIN PLUG	1	S/N M3420 AND ABOVE
3	355334300	PISTON ROD KIT	1	REPLACES 355447240 INCLUDES ITEMS W/ %
3	361344360	PISTON ROD	1	
4%		PISTON END	1	
5%	020118150	NUT M18, P1.5	1	
6	355447250	STOPPER UPPER	1	
7	355447260	STOPPER, LOWER	1	
8	355447270	MAIN SPRING	2	
9	355334310	SPRING CYLINDER	1	
10	355213000	FOOT PLATE	1	
11	050100900	O-RING G-90	1	
12	014210020	SOCKET HEAD BOLT 10X20T	4	REPLACES 001521020
13	014210040	SOCKET HEAD BOLT 10X40T	4	REPLACES 001521040
14	953405270	PLUG 1/4X14 13L	1	
15	953405260	PACKING 1/4 (CU)	1	
17	355213010	GUIDE CYLINDER	1	
18	050201500	O-RING P-150	1	
19	050931500	O-RING JASO3150	2	
20	012710035	BOLT 10X35 H,SW	4	REPLACES 002211035
21	354010010	BELLOWS(L) ORANGE	1	
22	354336352	BELLOWS CLAMP	2	REPLACES 354329380
23	354442340	BAND GUIDE, BELLOWS	2	
24	011008040	BOLT 8X40 H	2	REPLACES 001220840
25	020108060	NUT M8	2	REPLACES 020308060
26	354446170	PIN 6D-8.5L	2	
28	953405270	PLUG 1/4X14 13L	2	
29	953405260	PACKING 1/4 (CU)	2	
30	050100950	O-RING G-95	1	S/N R2411 AND BELOW
30	050200950	O-RING P-95	1	S/N R2412 AND ABOVE
41	355113960	PROTECTION SLEEVE	1	S/N R2411 AND BELOW
41	355119030	PROTECTION SLEEVE	1	S/N R2412 AND ABOVE
47	959010150	LEVEL GAUGE, PLUG TYPE	1	
48	953404670	COPPER PACKING 17X25.5X1	1	
111	021112140	NYLON NUT M12	4	REPLACES 022711214
112	030212300	WASHER SW M12	4	
121	021110120	NYLON NUT M10	1	REPLACES 022711012
130	8511S	FOOT ASSY	1	REPLACES 361910030 AND 352910033 INCLUDES. ALL ITEMS W/*
131*	352108220	FOOT 285B-331L	1	
132*	352108230	METAL SHEET	1	
133*	352333380	FOOT COVER	1	
134	015112060	SUNK HEAD BOLT 12X65 H	4	S/N K9300 AND BELOW REPLACES 001611253
134	015112060	SUNK HEAD BOLT 12X65 H	2	S/N K9301 AND ABOVE
134-1	001611259	SUNK HEAD BOLT 12X95 H	2	S/N K9301 AND ABOVE
134-2	363343390	HANDLE	1	S/N K9301 AND ABOVE REPLACES 001611253
137*	015110055	SUNK HEAD BOLT 10X55 H	7	REPLACES 001611051
138*	030210250	WASHER SW M10	7	
139*	021110120	NYLON NUT M10	7	REPLACES 022711012

MT-74F — TANK AND HANDLE ASSY.

TANK AND HANDLE ASSY. (OLD VERSION)



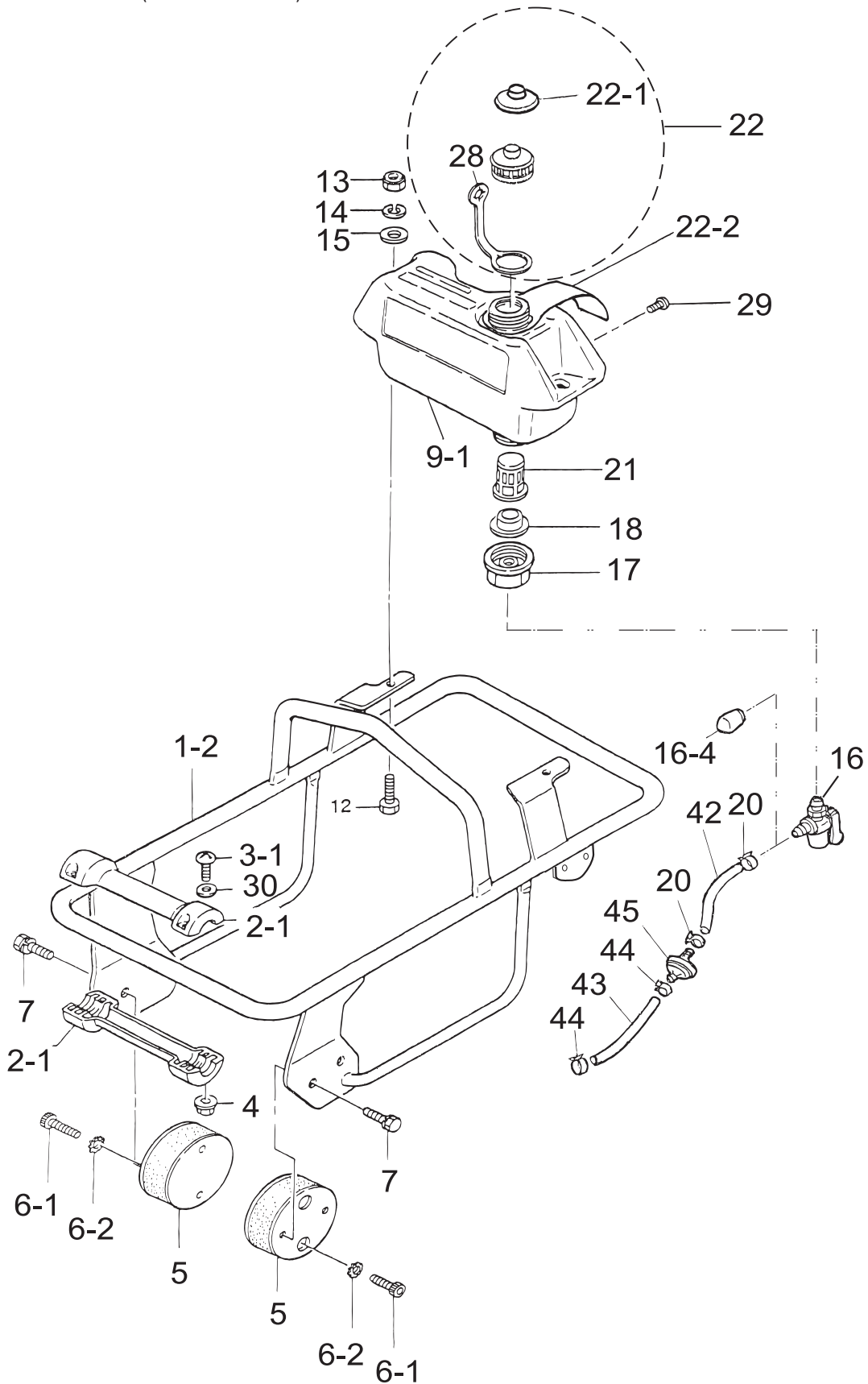
MT-74F — TANK AND HANDLE ASSY.

TANK AND HANDLE ASSY. (OLD VERSION)

<u>NO</u>	<u>PART NO</u>	<u>PART NAME</u>	<u>QTY.</u>	<u>REMARKS</u>
1	361117410	HANDLE	1	REPLACES 361113920 S/N L1291 AND BELOW
2	361449430	ROLLER HANDLE	2	
3	001710525	FLANGE BOLT 5X25 H	4	
4	022610505	FLANGE NUT	4	
5	351319900	SHOCK ABSORBER	2	
6-1	014210020	SOCKET HEAD BOLT 10X20T	4	REPLACES 001521020
6-2	033121009	TOOTH LOCKED WASHER BM10	4	
7	012210020	BOLT 10X20 H, SW	4	REPLACES 002211020
9	355113610	FUEL TANK	1	
10	954404890	FILTER, TANK	1	S/N M2534 AND BELOW
12	011208030	BOLT 8X30 T	2	REPLACES 001220830
13	022710809	NYLON NUT M8	2	
14	030208200	WASHER, SW M8	2	
15	952401450	WASHER 8.5X22X3	2	REPLACES 953405640
16	954300390	FUEL COCK ASSY	1	S/N L1291 AND BELOW INCLUDES ALL ITEMS W/*
16-1*	0642001410	CUP, FUEL COCK	1	
16-2*	0642001420	SCREEN, FUEL COCK	1	
16-3*	0642001430	RUBBER PACKING, FUEL COCK	1	
17	351437785	HOLDER, FUEL COCK	1	
18	351439290	PACKING, COCK FUEL, COCK HOLDER	1	REPLACES 953405640
20	954404590	HOSE BAND 9.5D	2	
21	954405080	STRAINER	1	
22	361910020	CAP ASSY, TANK	1	
28	353449010	STRAP, FUEL TANK CAP	1	
29	009110014	SCREW, PAN HEAD 8X10	2	
41	352423730	HOSE, FUEL	1	
42	301419750	FILTER, IN-LINE	1	
43	301420730	HOSE BAND	2	REPLACES 954403030
44	351435160	FUEL HOSE B-95	1	
45	954404590	HOSE BAND 9.5D	2	

MT-74F — TANK AND HANDLE ASSY.

TANK AND HANDLE ASSY. (NEW VERSION)



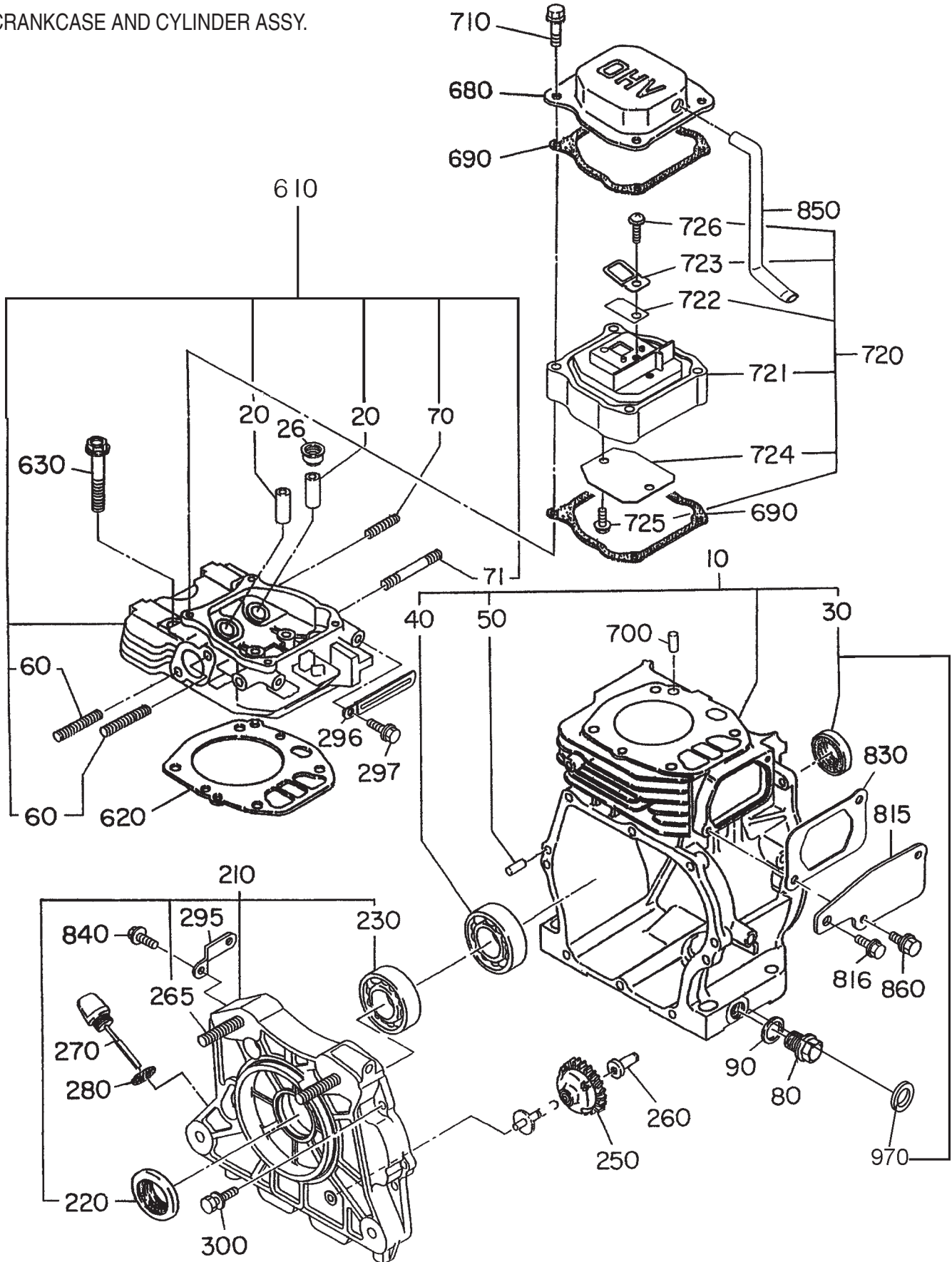
MT-74F — TANK AND HANDLE ASSY.

TANK AND HANDLE ASSY. (NEW VERSION)

<u>NO</u>	<u>PART NO</u>	<u>PART NAME</u>	<u>QTY.</u>	<u>REMARKS</u>
1	361117750	HANDLE	1	S/N L1292 AND ABOVE
2-1	955200052	ROLLER, W/ PIN, SET	1	
3-1	091005025	SCREW 5X25	4	
4	022610505	FLANGE NUT	4	
5	351319900	SHOCK ABSORBER	2	
6-1	014210020	SOCKET HEAD BOLT 10X20T	4	REPLACES 001521020
6-2	033121009	TOOTH LOCKED WASHER BM10	4	
7	012210020	BOLT 10X20 H, SW	4	REPLACES 002211020
9-1	361116910	FUEL TANK	1	
12	011208030	BOLT 8X30 T	2	REPLACES 001220830
13	022710809	NYLON NUT M8	2	
14	030208200	WASHER, SW M8	2	
15	952401450	WASHER 8.5X22X3	2	REPLACES 953405640
16	954300720	FUEL COCK ASSY	1	S/N L1292 AND ABOVE
16-4	353432250	CAP	1	
17	351437785	HOLDER, FUEL COCK	1	
18	954406020	PACKING, FUEL TANK	1	S/N M2535 AND ABOVE
20	954406420	HOSE BAND 10.5	2	
21	954406010	STRAINER	1	
22	361910070	CAP ASSY, TANK	1	S/N M2535 AND ABOVE INCLUDES ITEMS W/ *
22-1*	361455740	SUB CAP	1	S/N M2535 AND ABOVE
22-2	920208960	TAG, GASOLINE	1	S/N M2535 AND ABOVE
28*	353449010	STRAP, FUEL TANK CAP	1	
29	009110014	SCREW, PAN HEAD 8X10	2	
30	031105080	PW M5	4	
42	351435160	FUEL HOSE B-95	1	
43	351436350	FUEL HOSE R-150L D8	1	
44	301420730	HOSE BAND	2	REPLACES 954403030
45	301419750	FUEL FILTER CP, MQ75MIC.	1	

ROBIN EH-12-2D46051 ENGINE — CRANKCASE AND CYLINDER ASSY.

CRANKCASE AND CYLINDER ASSY.



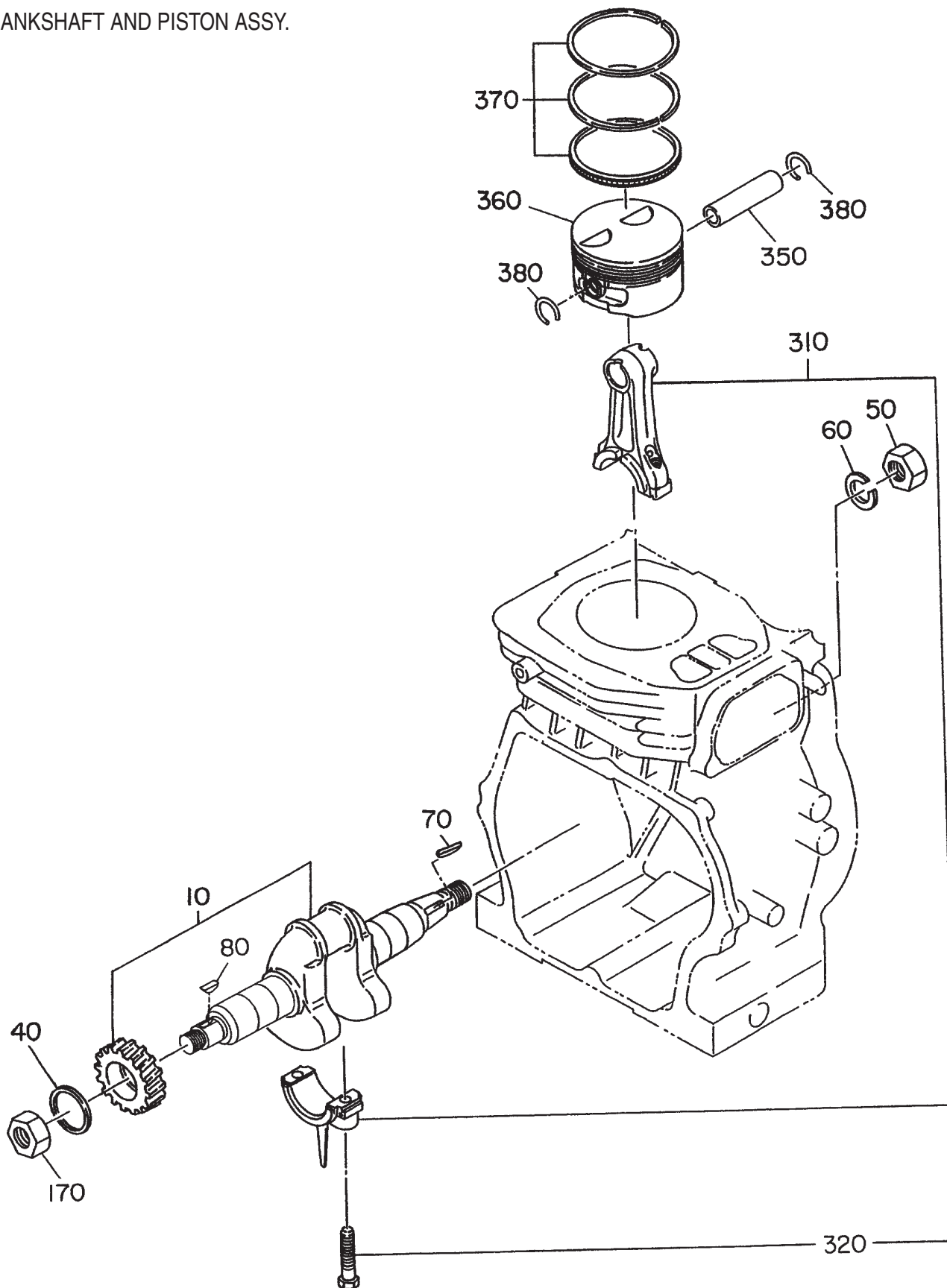
ROBIN EH-12-2D46051 ENGINE — CRANKCASE AND CYLINDER ASSY.

CRANKCASE AND CYLINDER ASSY.

<u>NO.</u>	<u>PART NO.</u>	<u>PART NAME</u>	<u>QTY.</u>	<u>REMARKS</u>
10	2521030111	CRANK CASE	1	INCLUDES ITEMS W/ \$
20+	2371420203	VALVE GUIDE, OVERSIZE	2	
26	2371600801	VALVE, STEM SEAL	1	
30\$	0440250150	OIL SEAL	1	
40\$	0600250010	BALL BEARING 6205C3	1	
50\$	0310060020	DOWEL PIN	2	
60+	0105080480	STUD	2	
70+	0105060131	STUD	1	
71+	0013906600	STUD	1	
80	0401140030	PLUG	2	
90	0211140020	GASKET	2	
210	2521110121	MAIN BEARING COVER CP	1	INCLUDES ITEMS W/ %
220%	0440250160	OIL SEAL	1	
230%	0600250010	BALL BEARINGS 6205C3	1	
250	2274500301	GOVERNOR GEAR COMPL	1	
260	2054190103	GOVERNOR SLEEVE	1	
265%	0108100020	STUD	2	
270	2526360101	OIL GAUGE CP	1	
280	0213160020	GASKET	1	
295	2521700101	SUPPORT (M.B.C)	1	
296	0566000250	CLAMP	1	
297	0110060020	FLANGE BOLT	1	
300	0130060200	BOLT & WASHER ASSY	8	
610	2681300301	CYLINDER HEAD CP	1	INCLUDES ITEMS W/ +
620	2531500123	GASKET, HEAD	1	
630	0110080100	FLANGE BOLT	4	
680	2521550203	ROCKER COVER	1	
690	2691600403	GASKET, ROCKER COVER	2	
700	0310060020	DOWEL PIN	2	
710	0110060170	FLANGE BOLT EY45V	4	
720	2521560110	SPACER ASSY, BREATHER	1	INCLUDES ITEMS W/ *
721*	2521560103	SPACER, BREATHER	1	
722*	2521600103	LEAF VALVE	1	
723*	2521610103	RETAINER PLATE	1	
724*	2521440113	PLATE	1	
725*	0110060150	FLANGE BOLT EH11	2	
726*	0043506120	SCREW & WASHER	1	
815	2521700201	BRACKET CP (M.B.C)	1	
816	0011308160	BOLT & WASHER ASSY	1	
830	2531600633	GASKET, BREATHER COVER	1	
840	0011308160	BOLT & WASHER ASSY	2	
850	2521800203	RUBBER PIPE	1	
860	0011306160	BOLT AND WASHER ASSY	2	
	2529900107	GASKET SET	1	
970	0440080010	OIL SEAL VC 8X14X4	1	S/N 2053173 AND ABOVE

ROBIN EH-12-2D46051 ENGINE — CRANKSHAFT AND PISTON ASSY.

CRANKSHAFT AND PISTON ASSY.



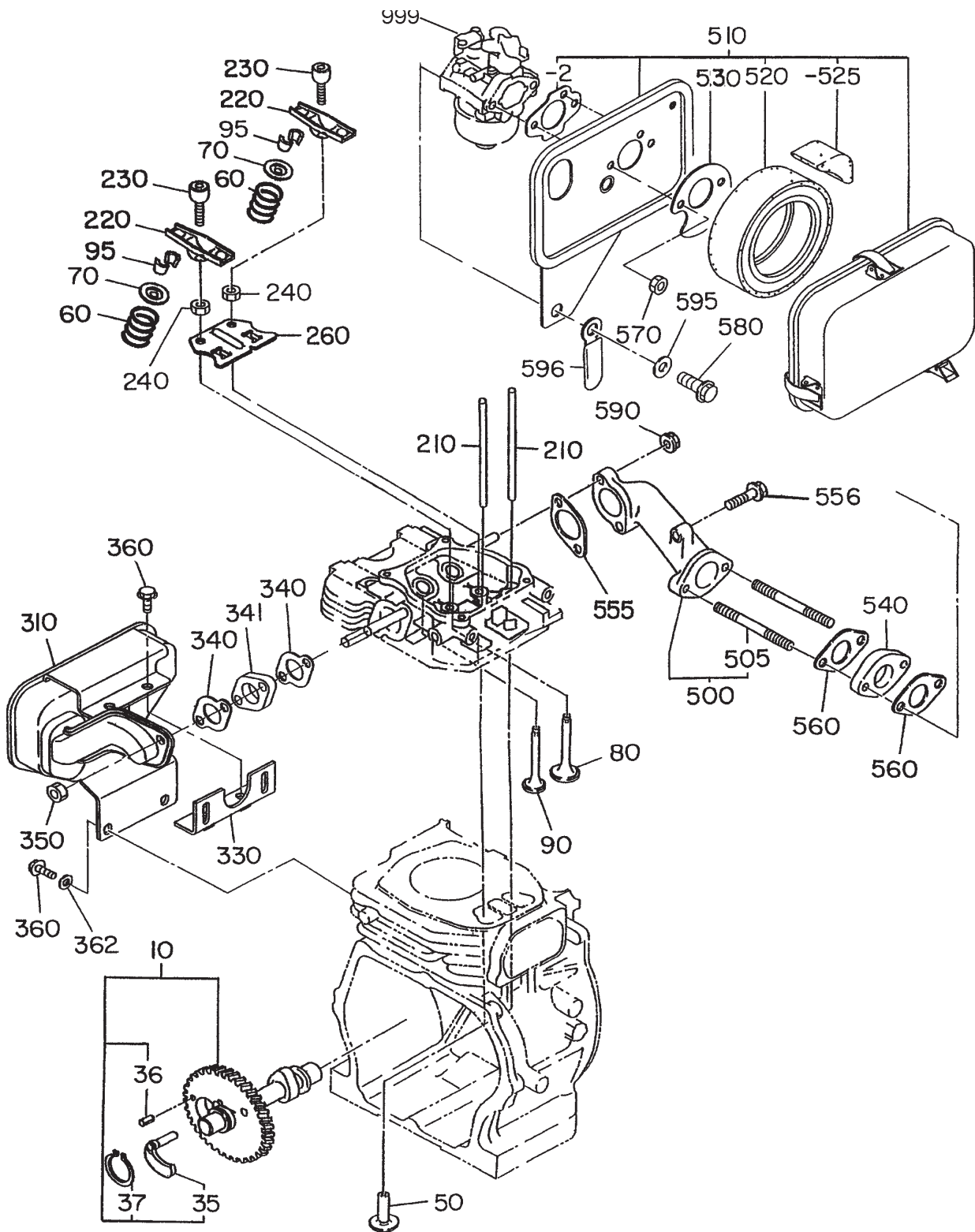
ROBIN EH-12-2D46051 ENGINE — CRANKSHAFT AND PISTON ASSY.

CRANKSHAFT AND PISTON ASSY.

<u>NO.</u>	<u>PART NO.</u>	<u>PART NAME</u>	<u>QTY.</u>	<u>REMARKS</u>
10	EH122R0029	CRANKSHAFT CP	1	
40	0230250110	SPACER T=0.6	1	
40	0230250120	SPACER T=0.8	1	
40	0230250130	SPACER T=1.0	1	
50	0021814000	NUT	1	
60	0032014000	SPRING WASHER	1	
70	0323030010	WOODRUFF KEY	1	
80	0053204201	WOODRUFF KEY	1	
170	0173120010	LOCK NUT	1	
310	2522250110	CONNECTING ROD ASSY	1	INCLUDES ITEM W/ *
320*	2362300103	CONNECTING ROD BOLT	2	
350	2682330103	PISTON PIN	1	
360	2682340103	PISTON STD.	1	
360	2682340203	PISTON O.S. 0.25MM	1	
360	2682340303	PISTON O.S. 0.50MM	1	
370	2522350107	PISTON RING SET STD	1	
370	2522350207	PISTON RING SET 0.25 O.S.	1	
370	2522350307	PISTON RING SET 0.50 O.S.	1	
380	2152500403	CLIP	2	

ROBIN EH-12-2D46051 ENGINE—MUFFLER, AIR CLEANER, CAM & CARB. ASSY.

MUFFLER, AIR CLEANER, CAMSHAFT & CARBURETOR ASSY.



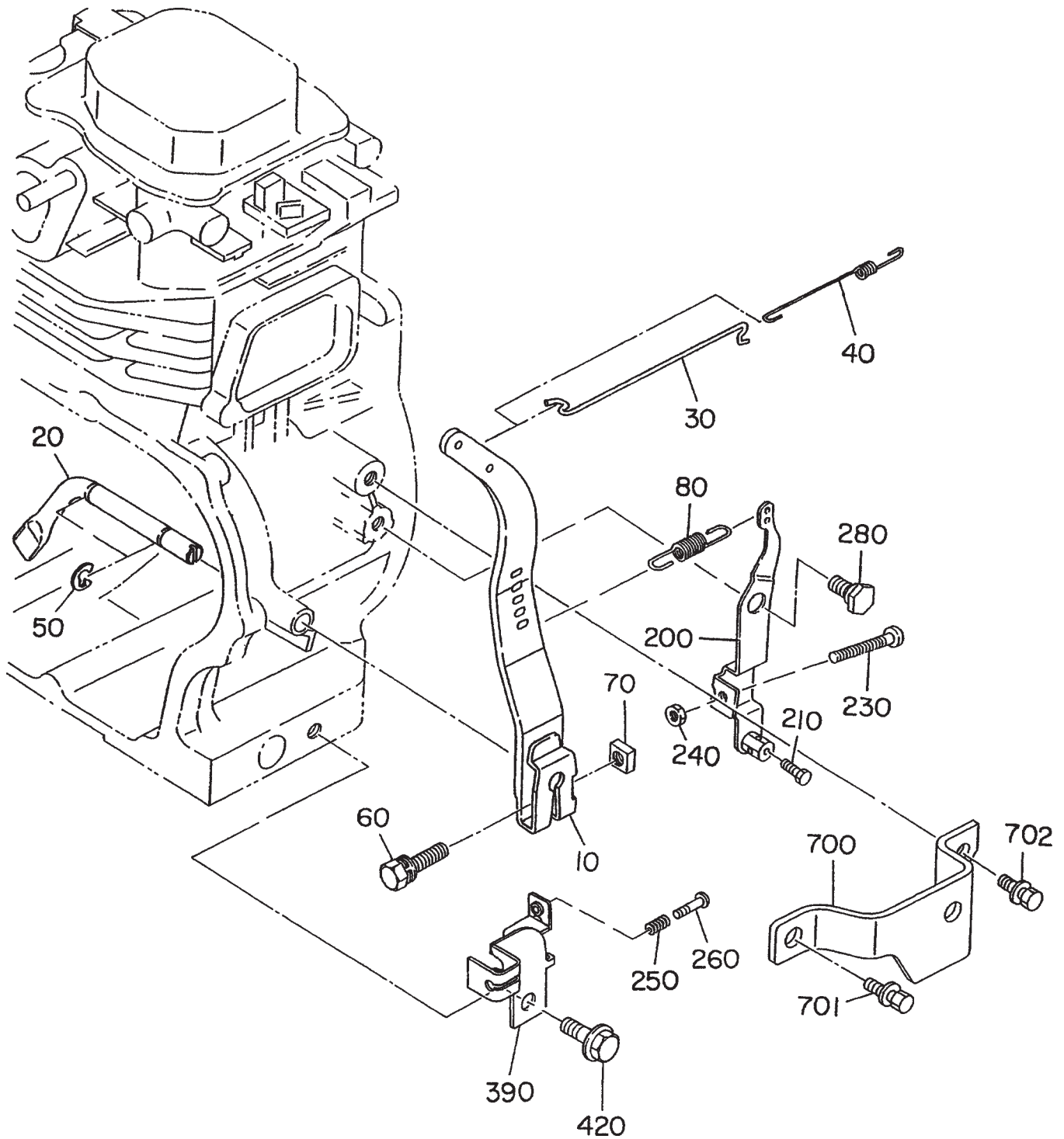
ROBIN EH-12-2D46051 ENGINE—MUFFLER, AIR CLEANER, CAM& CARB. ASSY.

MUFFLER, AIR CLEANER, CAMSHAFT & CARBURETOR ASSY.

<u>NO.</u>	<u>PART NO.</u>	<u>PART NAME</u>	<u>QTY.</u>	<u>REMARKS</u>
10	2533170111	CAMSHAFT CP	1	INCLUDES ITEMS W/ *
35*	2273640103	RELEASE LEVER	1	
36*	0051904100	SPRING PIN	1	
37*	0031522000	SNAP RING	1	
50	2393330113	TAPPET	2	
60	2533360103	VALVE SPRING	2	
70	13209KAO40	RETAINER VALVE SPRING	2	
80	2683340103	INTAKE VALVE	1	
90	2683350103	EXHAUST VALVE	1	
95	13210KAO31	COLLECT VALVE	4	
210	2683530103	PUSH ROD	2	
220	26136001A3	ROCKER ARM	2	
230	2693580103	BOLT, PIVOT	2	
240	0170060090	NUT	2	
260	2693650103	GUIDE PLATE	1	
310	2523040111	MUFFLER CP	1	
330	2523700111	BRACKET CP	1	
340	2533520103	GASKET, MUFFLER	2	
341	2523650103	SPACER, EXHAUST	1	
350	0170080030	NUT	2	
360	0011308160	BOLT & WASHER ASSY	4	
362	0031108000	WASHER	2	
500	2523300311	INTAKE PIPE CP	1	INCLUDES ITEM W/ \$
505\$	0105060230	STUD	2	
510	2523271110	AIR CLEANER ASSY	1	INCLUDES ITEMS W/ %
510-2%	2263272008	GASKET (AIR CLEANER)	1	
520%	2523260107	ELEMENT, SET	1	
525%	2523261108	ELEMENT	1	
530	2523650203	PLATE, AIR CLEANER	1	
540	1063291203	INSULATOR	1	
555	2273590103	GASKET (INSULATOR)	1	
556	0011406400	BOLT AND WASHER ASSY	1	
560	2363590303	GASKET 2 (INSULATOR)	2	
570	0176060020	SELF LOCK NUT	2	
580	0011308180	BOLT & WASHER ASSY	1	
590	0023706000	FLANGE NUT	2	REPLACES 0023806000
595	0200080080	WASHER	1	
596	0566000170	CLAMP	1	
999	2526253110	CARBURETOR ASSY	1	

ROBIN EH-12-2D46051 ENGINE — GOVERNOR ASSY.

GOVERNOR ASSY.

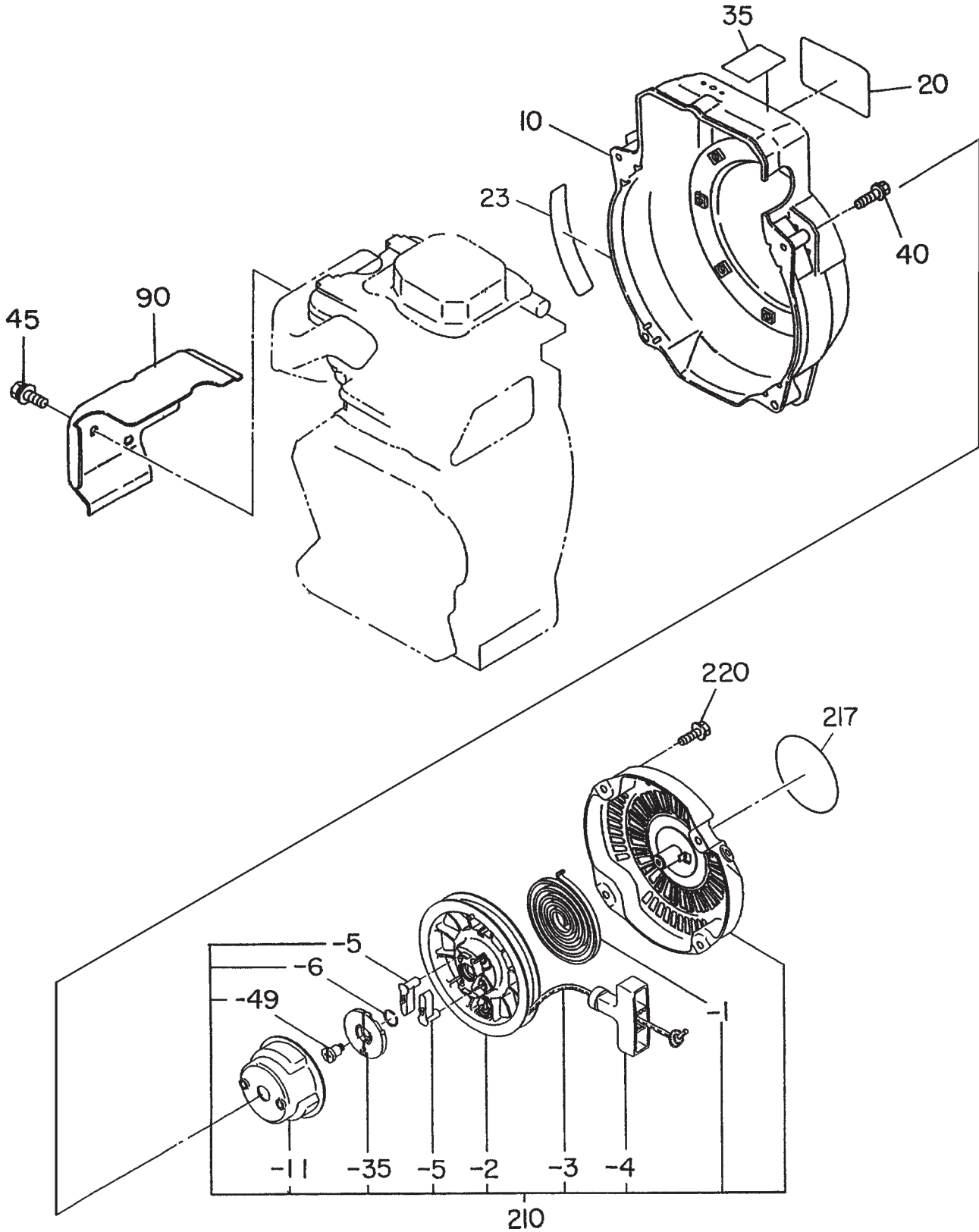


ROBIN EH-12-2D46051 ENGINE — GOVERNOR ASSY.

GOVERNOR ASSY.

<u>NO.</u>	<u>PART NO.</u>	<u>PART NAME</u>	<u>QTY.</u>	<u>REMARKS</u>
10	2524230303	GOVERNOR LEVER CP	1	
20	2264230207	GOVERNOR SHAFT	1	REPLACES 2274220103
30	2544270101	GOVERNOR ROD CP	1	
40	2544280103	ROD SPRING	1	
50	0031306000	CLIP	2	
60	0011406300	BOLT & WASHER ASSY	1	
70	0186060020	NUT	1	
80	2524250323	GOVERNOR SPRING	1	
200	2524340220	SPEED CONTROL ASSY	1	
210	0116040030	BOLT	1	
230	0043105250	SCREW, PANHEAD	1	
240	0021705000	NUT	1	
250	2054600323	CONTROL SPRING	1	
260	0140040020	SCREW	1	REPLACES 0043104250
280	2264310101	LINK PIVOT	1	
390	2524420213	WIRE BRACKET	1	
420	0110060030	FLANGE BOLT	1	
700	2524280111	PROTECTOR CP, GOVERNOR	1	
701	0011308160	BOLT & WASHER ASSY	1	
702	0011306200	BOLT & WASHER ASSY	1	

RECOIL STARTER AND BLOWER ASSY.



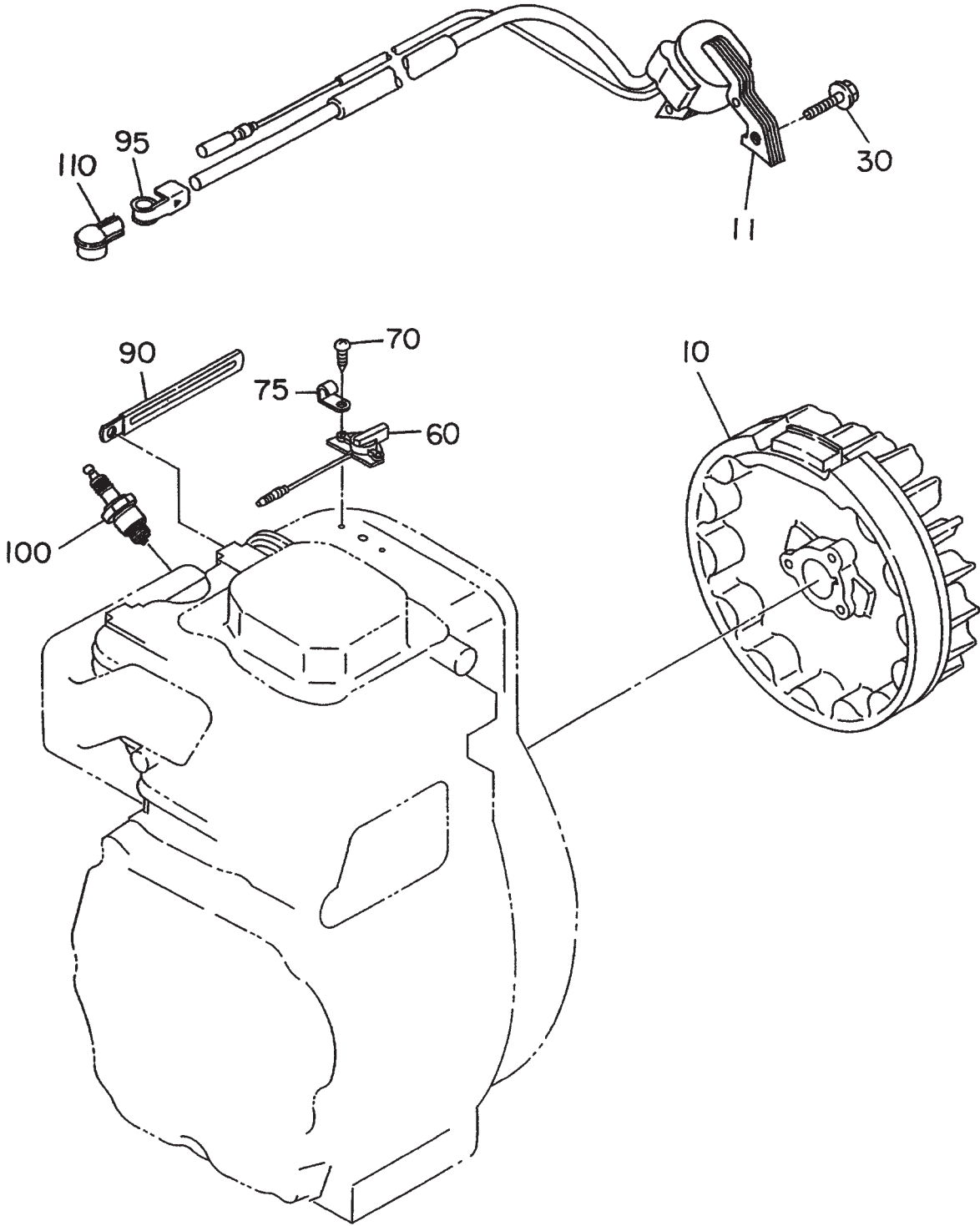
ROBIN EH-12-2D46051 ENGINE —RECOIL STARTER AND BLOWER ASSY.

RECOIL STARTER AND BLOWER ASSY.

<u>NO.</u>	<u>PART NO.</u>	<u>PART NAME</u>	<u>QTY.</u>	<u>REMARKS</u>
10	2525165211	BLOWER HOUSING CP 2	1	
20	2069170103	LABEL, MIKASA MARK	1	
23	2689520203	LABEL, EMISSION CONTROL	1	
35	2689180203	LABEL, ENGINE NAME	1	
40	0011406550	BOLT & WASHER ASSY	4	
45	0110060140	FLANGE BOLT	2	
90	2525270213	HEAD COVER	1	
210	2685020100	RECOIL STARTER ASSY	1	INCLUDES ITEMS W/*
210-1*	2705011508	SPIRAL SPRING	1	
210-2*	2695012008	REEL	1	
210-3*	2695011008	STARTER ROPE	1	
210-4*	2615010008	STARTER KNOB	1	
210-5*	2705012508	RATCHET	2	
210-6*	2275013108	FRICTION SPRING	1	
210-11*	2685014508	STARTER PULLEY	1	
210-35*	2705026108	RATCHET GUIDE	1	
210-49*	2275015208	SET SCREW	1	
217	2069170103	LABEL, TRADEMARK	1	
220	0110060050	FLANGE BOLT	4	REPLACES 0110060010

ROBIN EH-12-2D46051 ENGINE — MAGNETO ASSY.

MAGNETO ASSY.



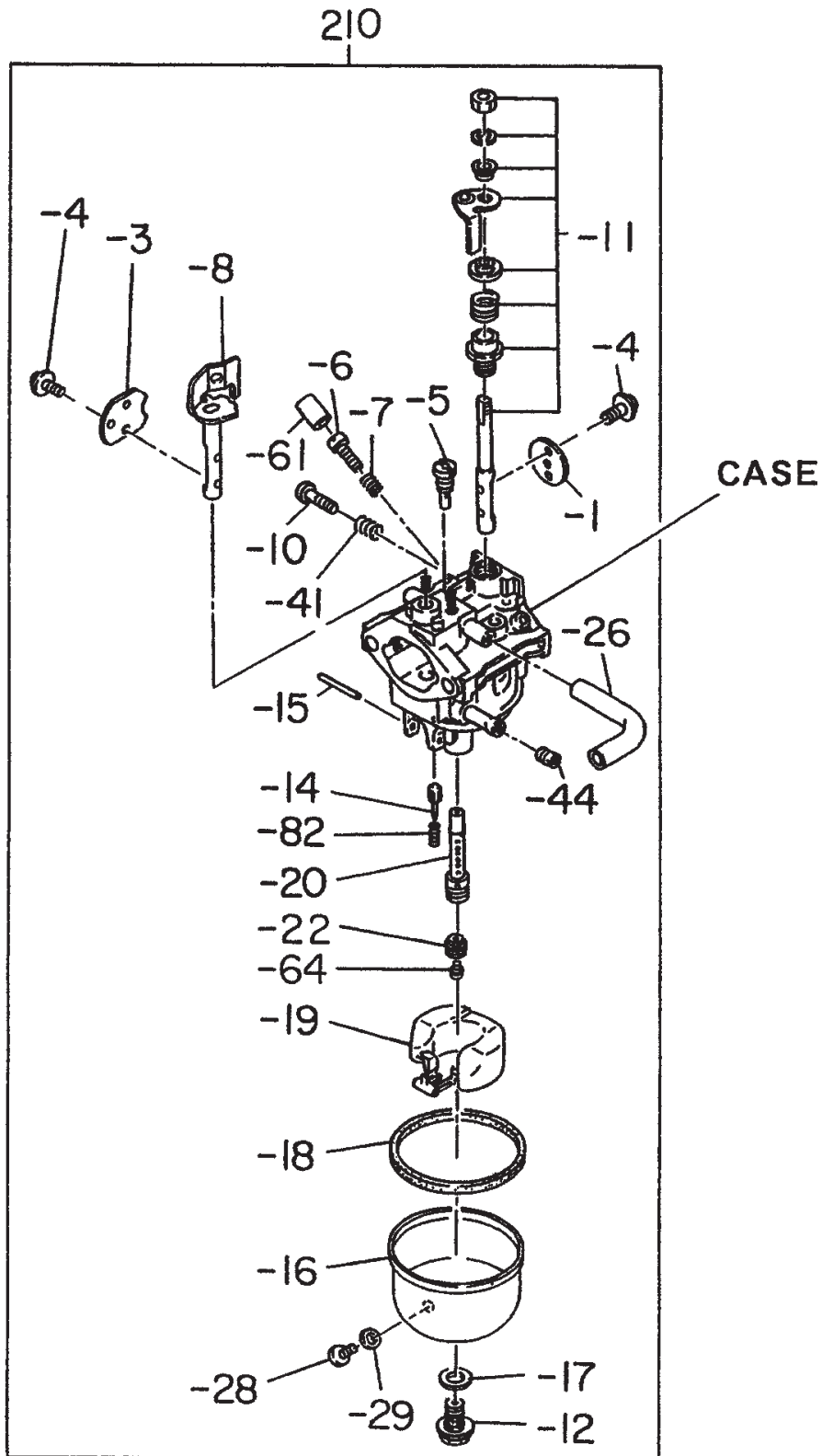
ROBIN EH-12-2D46051 ENGINE — MAGNETO ASSY.

MAGNETO ASSY.

<u>NO</u>	<u>PART NO</u>	<u>PART NAME</u>	<u>QTY.</u>	<u>REMARKS</u>
10	2527933101	FLYWHEEL CP	1	
11	2697943001	IGNITION COIL CP	1	
30	0011406250	BOLT & WASHER ASSY	2	
60	0660000371	STOP SWITCH ASSY (ON-OFF)	1	
70	0150040090	TAPPING SCREW	2	
75	0566030010	CLAMP	1	
90	0566000250	CLAMP	1	
95	0659000010	SPARK PLUG CLIP	1	REPLACES 0655000100
100	0650140580	SPARK PLUG, BR6ES	1	REPLACES 0650140100
110	2307510113	SPARK PLUG CAP	1	

ROBIN EH-12-2D46051 ENGINE — CARBURETOR ASSY.

CARBURETOR ASSY.



ROBIN EH-12-2D46051 ENGINE — CARBURETOR ASSY.

CARBURETOR ASSY.

<u>NO</u>	<u>PART NO</u>	<u>PART NAME</u>	<u>QTY.</u>	<u>REMARKS</u>
210	2526253120	CARBURETOR ASSY.	1	INCLUDES ITEMS W/ *
210-1*	2526253508	THROTTLE VALVE	1	
210-3*	2366252808	CHOKE VALVE	1	
210-4*	2376245108	SCREW	4	
210-5*	2166230308	PILOT JET	1	
210-6*	2376243508	PILOT SCREW	1	
210-7*	2306244608	SPRING	1	
210-8*	2526252108	CHOKE SHAFT	1	
210-10*	2466243508	ADJUST SCREW	1	
210-11*	1616253008	THROTTLE SHAFT	1	
210-12*	2366245108	BOLT	1	
210-14*	1616235208	NEEDLE	1	
210-15*	2146251508	PIN	1	
210-16*	2366255208	FLOAT CHAMBER BODY	1	
210-17*	2366245008	PACKING	1	
210-18*	2366254008	PACKING, CHAMBER	1	
210-19*	2366250508	FLOAT	1	
210-20*	2526244008	MAIN NOZZLE	1	
210-22*	2356242508	GUIDE HOLDER	1	
210-26*	1616235308	HOSE	1	
210-28*	2366235008	SCREW	1	
210-29*	2366254108	PACKING	1	
210-41*	2096244508	SPRING	1	
210-44*	1616240008	GUIDE HOLDER	1	
210-61*	2466255108	CAP	1	
210-64*	2356242508	MAIN JET	1	
210-82*	2366244508	SPRING	1	