

PARTS MANUAL



Mikasa **SERIES**
MODEL MT-60H/H2
TAMPING RAMMER
(GASOLINE ENGINE)

Revision #13 (10/02/20)

THIS MANUAL MUST ACCOMPANY THE EQUIPMENT AT ALL TIMES.

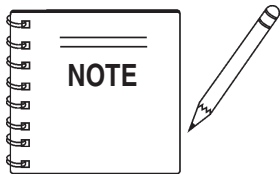
MT-60H/H2— SUGGESTED SPARE PARTS

MT-60H/H2 RAMMER 1 TO 3 UNITS

Qty.	P/N	Description
1	956225020	LEVER, THROTTLE
3	354030030	ELEMENT, YELLOW
3	354030040	ELEMENT, GRAY
1	361910020	CAP, FUEL TANK W/ STRAP
1	954405990	COCK, FUEL ASSY.
1	954404890	FILTER, FUEL TANK
2	301419750	FILTER, IN-LINE FUEL
3	2743261007	ELEMENT, SET ENGINE
1	066000361	BUTTON, STOP
3	0650140460	SPARK PLUG
1	954406010	STRAINER, FUEL TANK
1	956106040	THROTTLE , WIRE

MT-60H/H2 RAMMER 3 TO 5 UNITS

Qty.	P/N	Description
1	956225020	LEVER, THROTTLE
1	956106040	THROTTLE WIRE
5	354030030	ELEMENT, YELLOW
5	354030040	ELEMENT, GRAY
2	351316870	CLAMP, BELLOWS
1	353332870	BELLOWS
1	361910020	CAP, FUEL TANK W/ STRAP
1	954405990	COCK, FUEL ASSY.
2	954404890	FILTER, FUEL TANK
5	301419750	FILTER, IN-LINE FUEL
5	2743261007	ELEMENT SET ENGINE
1	0660000361	BUTTON, STOP
5	0650140460	SPARK PLUG



Part number on this Suggested Spare Parts List may super cede/replace the P/N shown in the text pages of this book.

MT-60H/H2 RAMMER 5 TO 10 UNITS

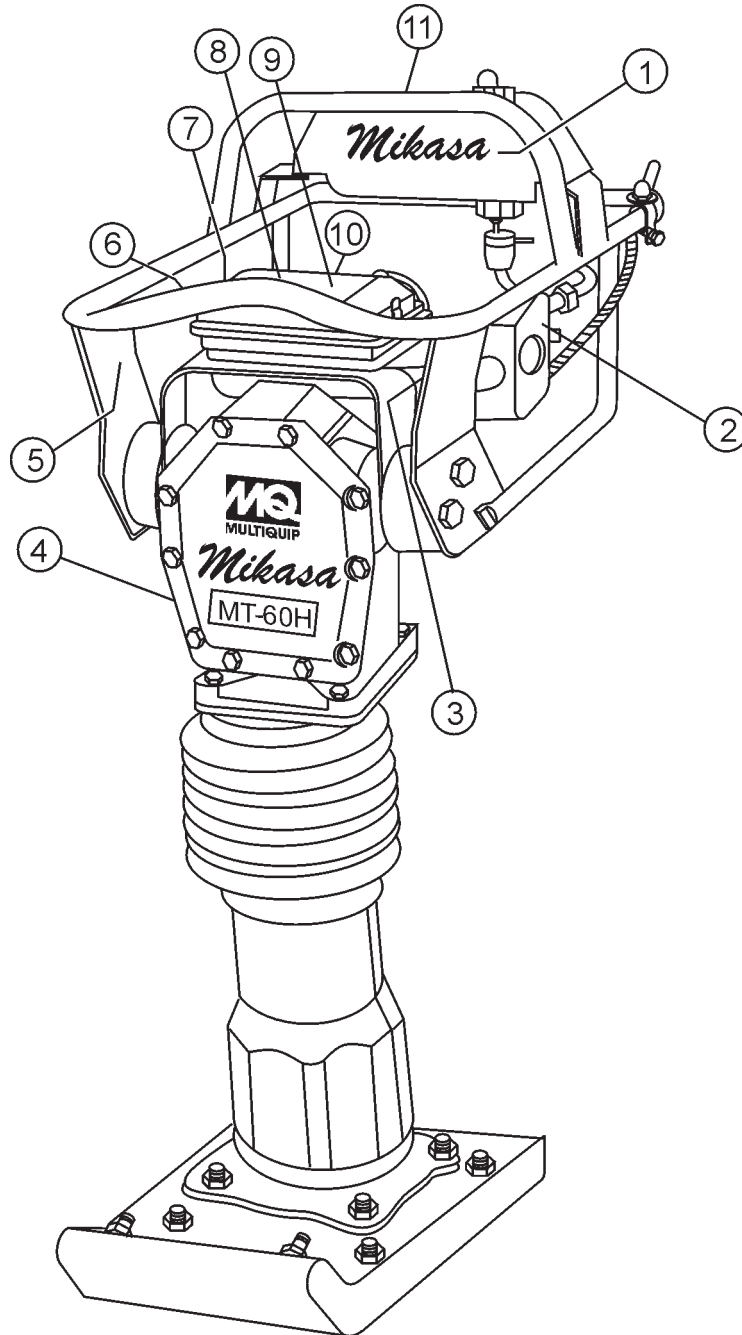
Qty.	P/N	Description
2	956225020	LEVER, THROTTLE
2	956106040	THROTTLE WIRE
6	354030030	ELEMENT, YELLOW
6	354030040	ELEMENT, GRAY
4	351316870	CLAMP, BELLOWS
2	353332870	BELLOWS
2	361910020	CAP, FUEL TANK W/STRAP
2	954405990	COCK, FUEL ASSY.
4	954404890	FILTER, FUEL TANK
6	301419750	FILTER, IN-LINE FUEL
3	2743261007	ELEMENT SET ENGINE
3	0660000361	BUTTON, STOP
10	0650140460	SPARK PLUG
2	954406010	STRAINER, FUEL TANK
2	2741550103	GASKET, COMPLETE HEAD
2	2303520101	GASKET, COMPLETE EXHAUST
1	2303262008	GASKET, AIR CLEANER
1	2746230100	CARBURETOR ASSEMBLY
1	050100800	O-RING, UPPER GUIDE CYLINDER
2	050100950	O-RING, MIDDLE GUIDE CYLINDER
1	050930850	O-RING, LOWER GUIDE CYLINDER
1	050100750	O-RING, FOOT PLATE GUIDE CYLINDER

MT-60H/H2 RAMMER 10+ UNITS

Qty.	P/N	Description
4	956225020	LEVER, THROTTLE
4	956106040	THROTTLE WIRE
10	354030030	ELEMENT, YELLOW
10	354030040	ELEMENT, GRAY
8	351316870	CLAMP, BELLOWS
4	353332870	BELLOWS
4	361910020	CAP, FUEL TANK W/ STRAP
4	954405990	COCK, FUEL ASSY.
6	954404890	FILTER, FUEL TANK
10	301419750	FILTER, IN-LINE FUEL
10	2743261007	ELEMENT SET ENGINE
4	0660000361	BUTTON, STOP
16	0650140460	SPARK PLUG
1	2747020101	IGNITION COIL
3	2741550103	GASKET, COMPLETE HEAD
3	2303520101	GASKET, COMPLETE EXHAUST
3	2303262008	GASKET, AIR CLEANER
1	301421363	CLUTCH ASSY
1	2746230100	CARBURETOR ASSEMBLY
1	2745020100	RECOIL STARTER ASSEMBLY
2	050100800	O-RING, UPPER GUIDE CYLINDER
4	050100950	O-RING, MIDDLE GUIDE CYLINDER
2	050930850	O-RING, LOWER GUIDE CYLINDER
2	050100750	O-RING, FOOT PLATE GUIDE CYLINDER

MT-60H/H2— NAMEPLATE AND DECALS

NAME PLATE AND DECALS



MT-60H/H2— NAMEPLATE/DECAL LOCATION

NAME PLATE AND DECALS

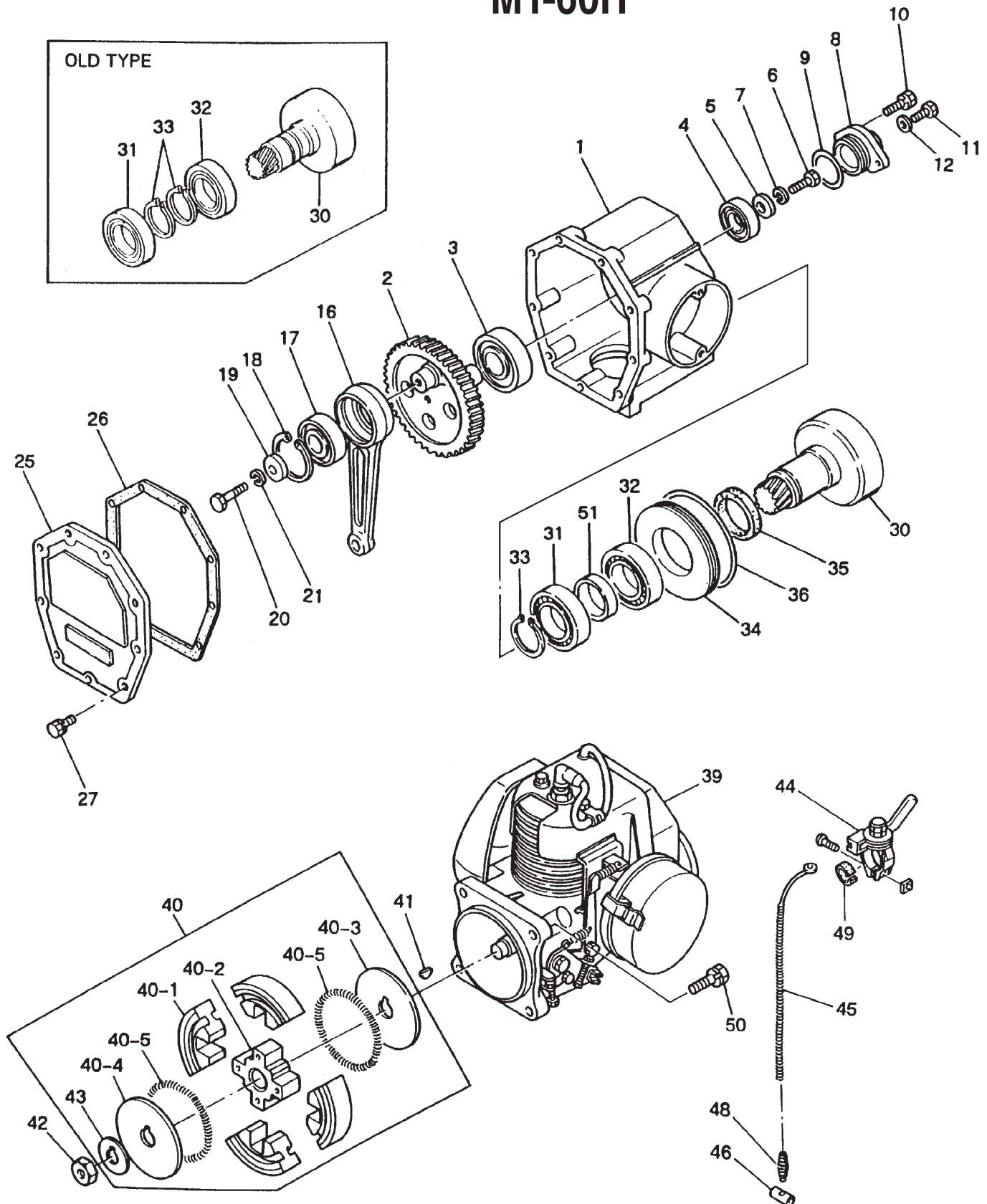
<u>NO.</u>	<u>PART NO.</u>	<u>PART NAME</u>	<u>QTY.</u>	<u>REMARKS</u>
1*	920106460	DECAL: MIKASA MARK	1	
2*	920203980	DECAL: ELEMENT SET	1	
3*	920203290	DECAL: READ OWNER'S MAN.	1	
4		PLATE: SERIAL NO.	1 ORDER FROM MQ SER. DEPT. W/MODEL & S/N
5*	920107000	DECAL: PRE-CLEANER / MT-W	1	
6*	920203540	DECAL ENGINE R.P.M 3850	1	
7*	920203990	DECAL: FUEL COCK	1	
8*	920200910	DECAL: CAUTION	1	
9*	920204370	DECAL: PRE CLEANER	1	
10*	920201950	DECAL MOTOR OIL	1	
11*	920200500	DECAL MIXED FUEL	1	
12	DCLMT60H2	DECAL KIT MT-60H/ 60H2	1 INCLUDES ALL ITEMS W/*

FOR DECAL ILLUSTRATIONS SEE PAGE 10.

MT-60H/H2— CRANKCASE AND ENGINE ASSY.

CRANK CASE AND ENGINE ASSY.(MT60H)

MT-60H



MT-60H/H2 — CRANKCASE AND ENGINE ASSY.

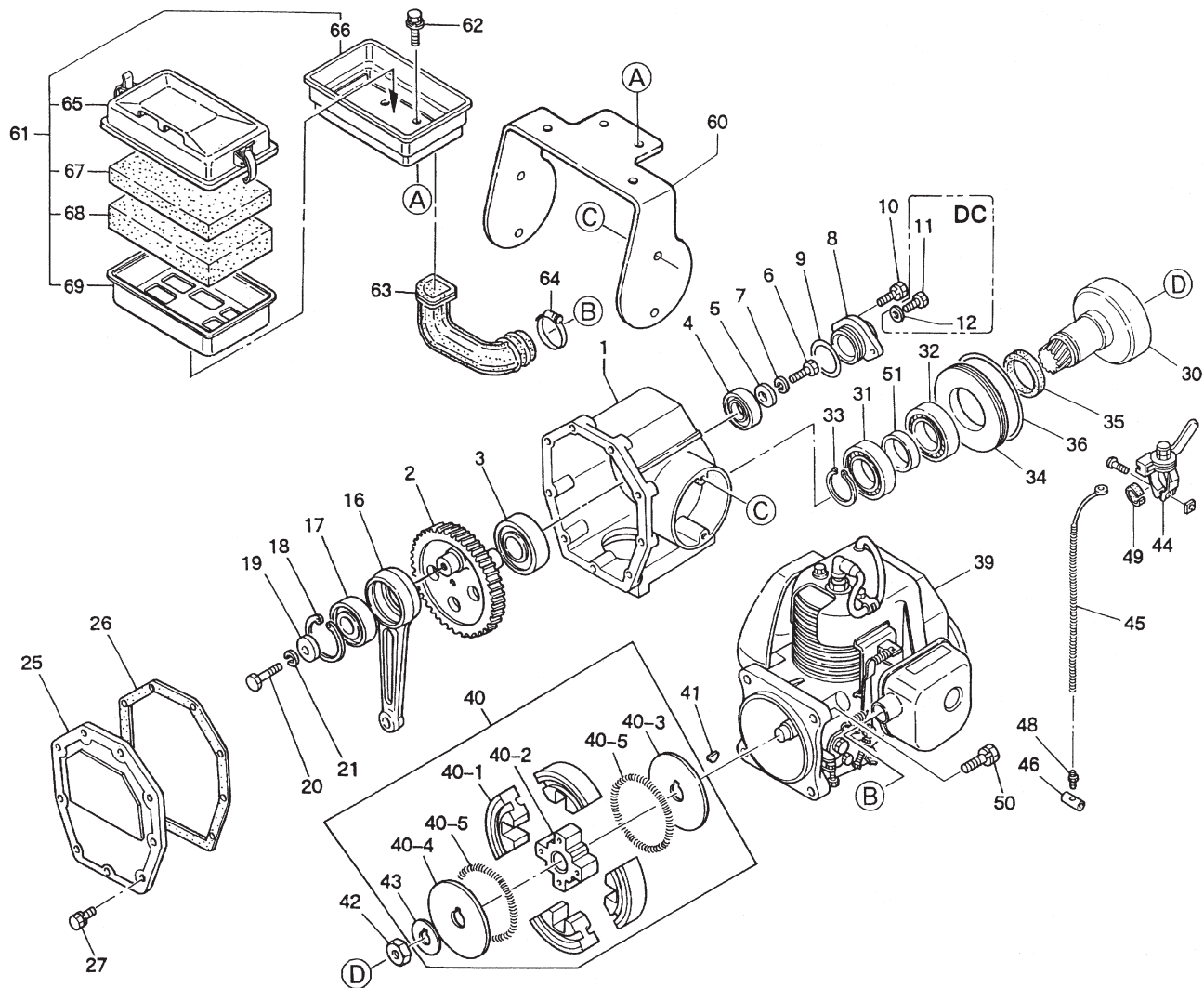
CRANK CASE AND ENGINE ASSY.(MT60H)

<u>NO.</u>	<u>PART NO.</u>	<u>PART NAME</u>	<u>QTY.</u>	<u>REMARKS</u>
1	351109060	CRANK CASE	1	
2	351324110	CRANK GEAR 126D-57Z	1	
3	040006305	BEARING (6305)	1	
4	042506203	BEARING (6203)	1	REPLACES 040006203
5	952401450	WASHER 8.5X22X3	1	
6	011220825	BOLT 8X25 T	1	REPLACES 001220825
7	030208200	SW M8	1	
8	351434561	BEARING COVER	1	
9	050100350	O-RING G-35	1	
10	011706020	BOLT 6X20 H, SW	2	REPLACES 002210620
11	011006010	BOLT 6X10 T	1	DC REPLACES 001220610
12	952404470	WASHER PW M6	1	DC REPLACES 031106100
16	303010060	CONNECTING ROD	1	
17	040006304	BEARING 6304	1	
18	080100520	STOP RING R-52	1	
19	952400130	WASHER 9304	1	
20	011208025	BOLT 8X25 T	1	REPLACES 001220825
21	030208200	WASHER SW M8	1	
25	351209580	FRONT COVER	1	
26	351319880	PACKING, FRONT COVER	1	
27	011706020	BOLT 6X20 H, SW	9	REPLACES 002210620
30	303010084	PINON	1	REPLACES 303010080
31	040006007	BEARING 6007	1	
32	041006007	BEARING 6007Z	1	
33	080200350	STOP RING S-35	2	QC FROM 2 TO 1
34	351421900	SPACER CLUTCH DRUM	1	
35	060404010	OIL SEAL TC-40528	1	
36	050300900	O-RING S-90	1	
39	911100840	ENGINE EC08GH	1	REPLACES 911100825
40	301421363	CLUTCH ASSY	1	INCLS. ITEMS W/* REPLACES 301421360
40-1*	943020020	CLUTCH SHOE	4	
40-2*	943050050	CLUTCH BOSS	1	
40-3*	943060010	CLUTCH GUIDE A	1	
40-4*	943060020	CLUTCH GUIDE B	1	
40-5*	943030020	CLUTCH SPRING	2	
41	0053204201	WOODRUFF KEY	1	
42	0173120010	LOCKNUT	1	
43*	301010210	LOCK WASHER , CLUTCH	1	
44	956300130	THROTTLE LEVER AY25	1	
45	501302060	THROTTLE WIRE	1	REPLACES 301312630
46	959401750	WIRE STOPPER ASSY	1	
48	402010110	RETURN SPRING	1	REPLACES 301010950
49	959403750	RUBBER SLIP STOP	1	
50	002210830	BOLT 8X30 H,SW	1	
51	351437750	SPACER 35.4-42.7-11	1	

MT-60H/H2— CRANKCASE AND ENGINE ASSY.

CRANK CASE AND ENGINE ASSY.(MT60H2)

MT-60H2



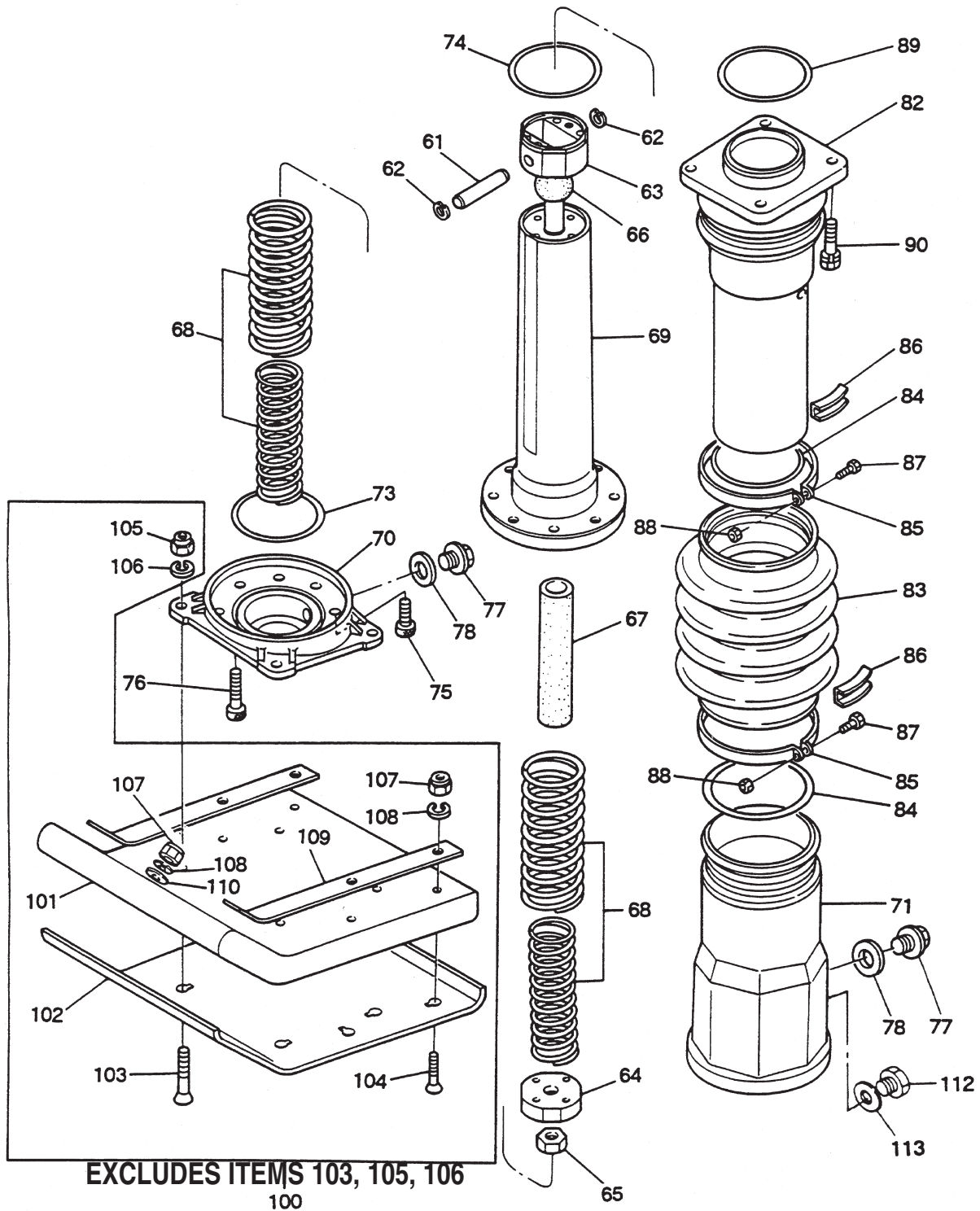
MT-60H/H2— CRANKCASE AND ENGINE ASSY.

CRANK CASE AND ENGINE ASSY.(MT60H2)

<u>NO.</u>	<u>PART NO.</u>	<u>PART NAME</u>	<u>QTY.</u>	<u>REMARKS</u>
1	351109060	CRANK CASE	1	
2	351324110	CRANK GEAR 126D-57Z	1	
3	040006305	BEARING (6305)	1	
4	042506203	BEARING (6203)	1	REPLACES 040006203
5	952401450	WASHER 8.5X22X3	1	
6	011220825	BOLT 8X25 T	1	REPLACES 001220825
7	030208200	WASHER SW M8	1	
8	351434561	BEARING COVER	1	
9	050100350	O-RING G-35	1	
10	011706020	BOLT 6X20 H,SW	2	REPLACES 002210620
11	011006010	BOLT 6X10 T	1	DC REPLACES 001220610
12	952404470	WASHER PW M6	1	DC REPLACES 031106100
16	303010060	CONNECTING ROD	1	
17	040006304	BEARING 6304	1	
18	080100520	STOP RING R-52	1	
19	952400130	WASHER 9304	1	
20	011208025	BOLT 8X25 T	1	REPLACES 001220825
21	030208200	WASHER SW M8	1	
25	351209580	FRONT COVER	1	
26	351319880	PACKING, FRONT COVER	1	
27	011706020	BOLT 6X20 H, SW	9	REPLACES 002210620
30	303010084	PINON	1	REPLACES 303010080
31	040006007	BEARING 6007	1	
32	041006007	BEARING 6007Z	1	
33	080200350	STOP RING S-35	2	QC FROM 2 TO 1
34	351421900	SPACER CLUTCH DRUM	1	
35	060404010	OIL SEAL TC-40528	1	
36	050300900	O-RING S-90	1	
39	911100822	ENGINE EC08GH MT-60H2	1	
40	301421360	CLUTCH ASSY	1	INCLUDES ITEMS W/*
40-1*	943020020	CLUTCH SHOE	4	
40-2*	943050050	CLUTCH BOSS	1	
40-3*	943060010	CLUTCH GUIDE A	1	
40-4*	943060020	CLUTCH GUIDE B	1	
40-5*	943030020	CLUTCH SPRING	2	
41	0053204201	WOODRUFF KEY	1	
42	0173120010	LOCKNUT	1	
43*	301010210	LOCK WASHER , CLUTCH	1	
44	956300130	THROTTLE LEVER ASSY. 25	1	
45	501302060	THROTTLE WIRE	1	REPLACES 301312630
46	959401750	WIRE STOPPER ASSY	1	
48	402010110	RETURN SPRING	1	REPLACES 301010950
49	959403750	RUBBER SLIP STOP	1	
50	002210830	BOLT 8X30 H,SW	1	
51	351437750	SPACER 35.4-42.7-11	1	AD *2
60	353332810	CLEANER STAY	1	
61	354211841	AIR CLEANER AY	1	INCLS. ITEMS W/#
62	011008015	BOLT 8X15 H,SW	4	REPLACES 00210815
63	354330590	INTAKE PIPE	1	
64	507010110	CLAMP TC-200	1	
65#	354030011	BODY	1	REPLACES 354030010
66#	354030020	BACK PLATE	1	
67#	354030030	ELEMENT,YELLOW	1	
68#	354030040	ELEMENT,GRAY	1	
69#	354030050	ELEMENT FRAME	1	

MT-60H/H2 — CYLINDER GUIDE AND FOOT ASSY.

CYLINDER GUIDE AND FOOT ASSY.



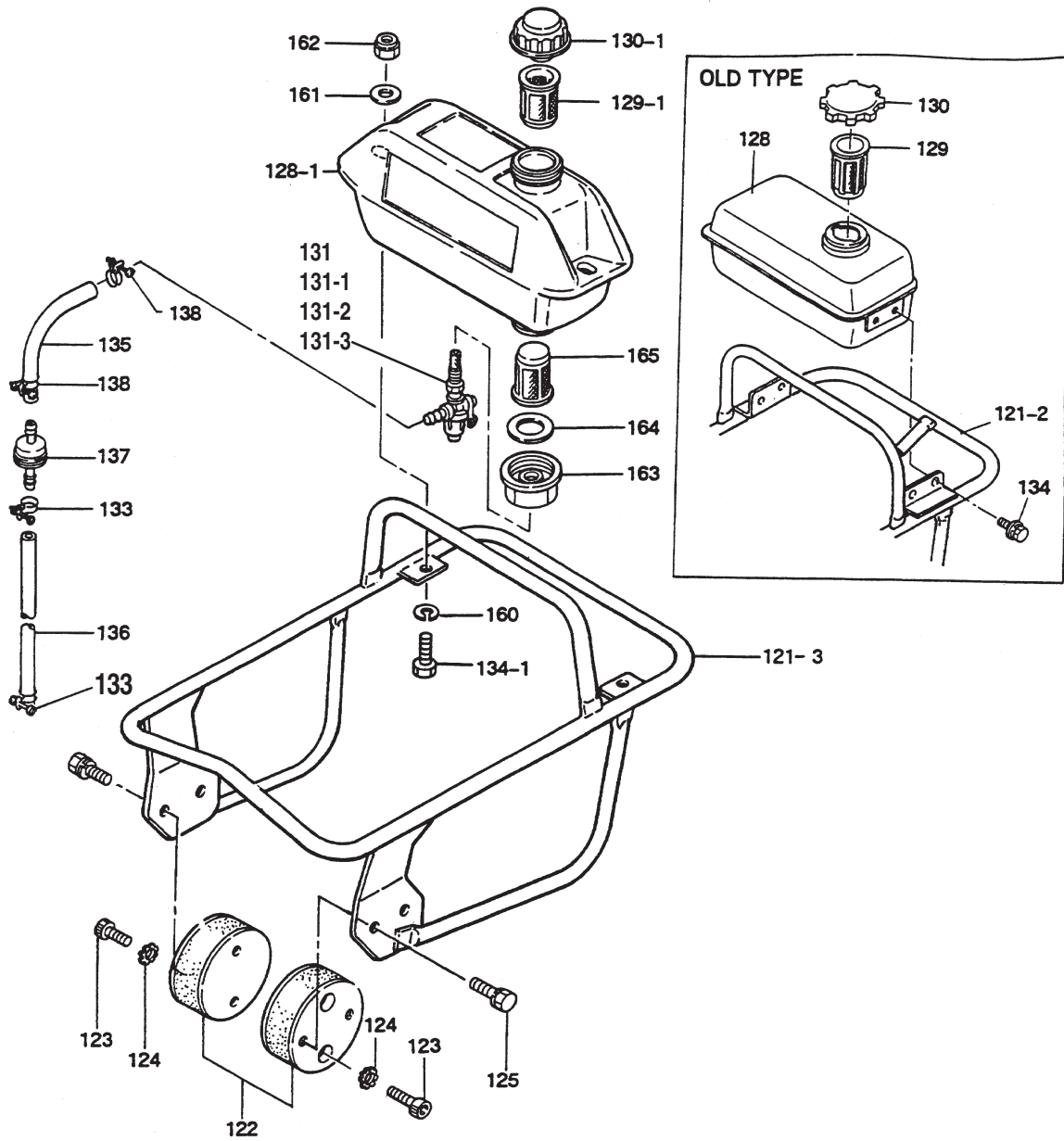
MT-60H/H2 — CYLINDER GUIDE AND FOOT ASSY.

CYLINDER GUIDE AND FOOT ASSY.

<u>NO.</u>	<u>PART NO.</u>	<u>PART NAME</u>	<u>QTY.</u>	<u>REMARKS</u>
61	351420390	PISTON PIN	1	
62	080100120	STOP RING R-12	2	
63	351324120	PISTON ROD	1	
64	351420400	PISTON END	1	
65	020316130	NUT M16 P1.5	1	REPLACES 02016130
66	351434200	STOPPER UPPER	1	
67	351434211	STOPPER LOWER	1	OX
68	351324140	MAIN SPRING A, B	2	
69	351324130	SPRING CYLINDER	1	
70	351209600	FOOT PLATE	1	
71	351109020	PROTECTION SLEEVE	1	
73	050100750	O-RING G-75	1	
74	050930850	O-RING JAS03085	1	
75	014210020	SOCKET HEAD BOLT 10X20 T	4	REPLACES 001521020
76	014210035	SOCKET HEAD BOLT 10X35 T	4	REPLACES 001521035
77	953405270	PLUG 1\4X14 13L	2	
78	953405260	PACKING 1\4 (CU)	2	
82	351209590	GUIDE CYLINDER	1	
83	351324300	BELLOWS (ORANGE)	1	
84	050100950	O-RING G-95	2	
85	351316870	BELLOWS CLAMP	2	
86	351433250	BAND GUIDE \ BELLOWS	2	
87	011008040	BOLT 8X40 T	2	REPLACES 001220840
87	011208035	BOLT 8X35 T	2	OO REPLACES 001220835
88	020108060	NUT M8	2	REPLACES 020308060
89	050100800	O-RING G-80	1	
90	012710040	BOLT 10X40 H, SW	4	REPLACES 002211040
100	351910130	FOOT AY	1	INCLUDES ITEMS W/* 10" (W) X 13 (L)
101*	351109030	FOOT 265W-215P	1	
102*	351109040	METAL SHEET 265W-215P-4.5	1	
103	015112060	SUNK HEAD BOLT 12 X 70 H	4	REPLACES 001611253 & 015112075
			INCLUDES ITEMS W/#
104*	015110055	SUNK HEAD BOLT 10X55	7	INCLUDES ITEMS W/%
105#	021112140	NYLON NUT M12	4	REPLACES 022711214
106	030212300	WASHER SW M12	4	
107*%	022711012	NYLON NUT M10	7	
108*	030210250	WASHER SW M12	7	
109*	352322581	FOOT FITTING	2	REPLACES 352322580
110*	301010540	WASHER 11X34X3.2	1	
112	959010150	LEVEL GAUGE PLUG TYPE	1	
113	953404670	COPPER PACKING 17X25.5X1	1	

MT-60H/H2 — TANK AND HANDLE ASSY.

TANK AND HANDLE ASSY.



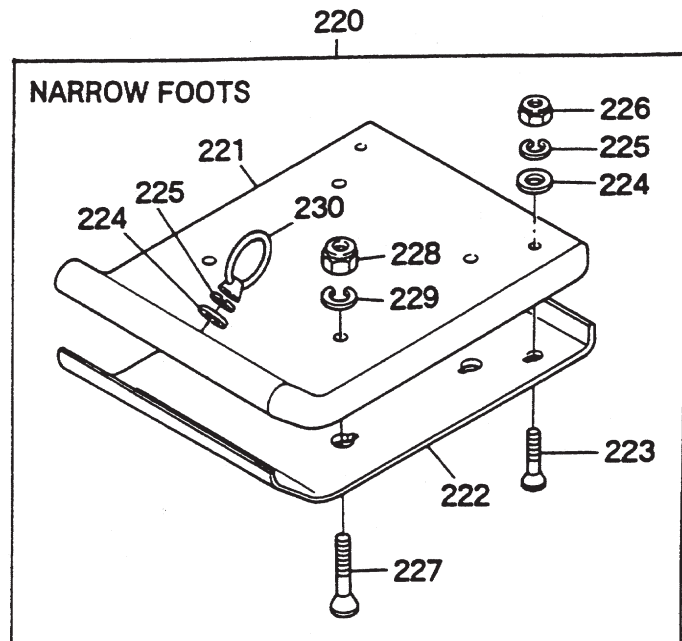
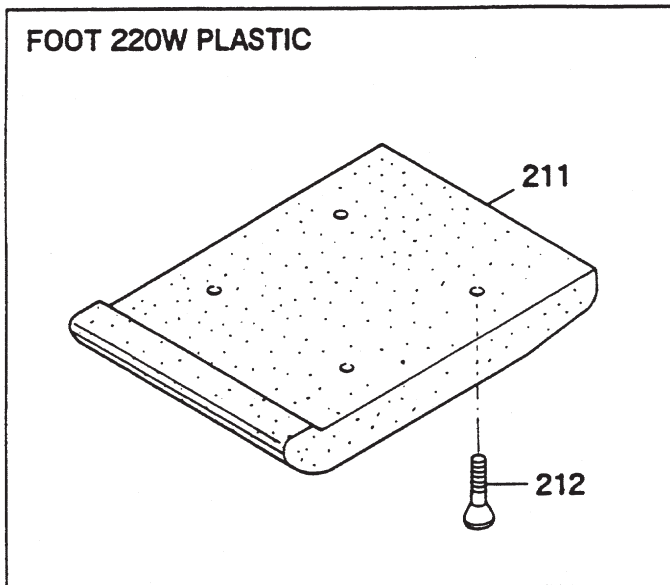
MT-60H/H2 — TANK AND HANDLE ASSY.

TANK AND HANDLE ASSY.

<u>NO.</u>	<u>PART NO.</u>	<u>PART NAME</u>	<u>QTY.</u>	<u>REMARKS</u>
121-2	351109490	HANDLE - MT-60H	1	W/OLD STYPE FUEL TANK
121-3	351111810	HANDLE - MT-60H	1	W/NEW STYLE FUEL TANK
121-3	353112620	HANDLE - MT60H2	1	
122	351319900	SHOCK ABSORBER	2	
123	014210020	SOCKET HEAD BOLT 10X20 T	4	REPLACES 001521020
124	033121009	TOOTHED LOCK WASHER M10 ...	4	REPLACES 001521020
125	002211025	BOLT 10X25 H, SH	4	
125	012210020	BOLT 10X20 H, SW	4	XX REPLACES 002211020
126	303010440	WASHER 11X22X3	4	
128	351010010	FUEL TANK 3.3 (CUBIC)	1	
128-1	351110650	FUEL TANK 3L (P)	1	
129	954405080	FUEL FILTER	1	
129-1	954404890	FILTER TANK	1	
130	0430430015	FUEL TANK CAP	1	REPLACES 953404650
130-1	0430440033	FUEL TANK CAP	1	
131	954300390	FUEL COCK AY	1	INCLUDES ITEMS W/* REPLACES 301322990
131-1*	0642001410	CUP, FUEL COCK	1	
131-2*	0642001420	STRAINER SCREEN, FUEL COCK	1	
131-3*	0642001430	RUBBER PACKING, FUEL COCK	1	
133	954404590	HOSE BAND 9.5 D	2	
134	011808015	BOLT 8X15 H, SW, PW	4	REPLACES 002410815
134-1	011208030	BOLT 8X30 T	2	REPLACES 001220830
135	351434320	FUEL HOSE R-95	1	
135	351436350	FUEL HOSE R-150	1	
136	351435160	FUEL HOSE B-95	1	
137	301419750	FUEL FILTER	1	
138	301420730	HOSE BAND (8)	2	REPLACES 94403030
160	030208200	WASHER SW M8	1	
161	952401450	WASHER 8.5X22X3	2	
162	022710809	NYLON NUT M8	2	
163	351437780	HOLDER COCK HOLDER	1	
164	351439290	PACKING, COCK HOLDER	1	
165	954405080	STRAINER (#100)	1	

MT-60H/H2 —OPTIONAL PARTS (NARROW FOOTS) ASSY.

OPTIONAL PARTS ASSY.



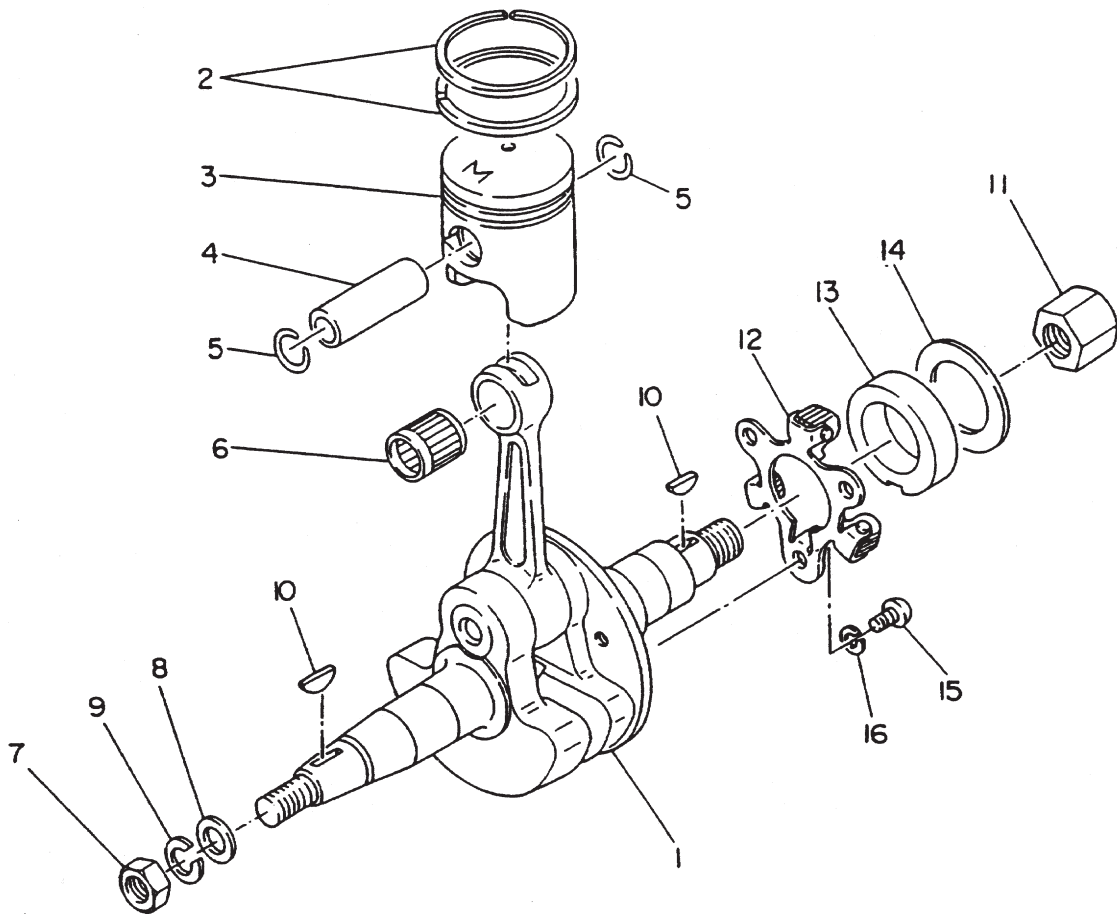
MT-60H/H2 —OPTIONAL PARTS (NARROW FOOT) ASSY.

OPTIONAL PARTS ASSY.

<u>NO.</u>	<u>PART NO.</u>	<u>PART NAME</u>	<u>QTY.</u>	<u>REMARKS</u>
211	3513-23750	FOOT 220W, PLASTIC	1	
212	0151-12080	SUNK HEAD BOLT 12X80H	4	
220	3519-10140	NARROW FOOT ASSY 170W	1	170W
220	3519-10150	NARROW FOOT ASSY 200W	1	200W
220	3519-10160	NARROW FOOT ASSY 220W	1	220W
221	3513-24240	NARROW FOOT ASSY 170W	1	170W
221	3513-24250	NARROW FOOT ASSY 200W	1	200W
221	3519-10160	NARROW FOOT ASSY 220W	1	220W
222	3513-24270	METAL SHEET ASSY 170W	1	170W
222	3513-24280	METAL SHEET ASSY 200W	1	200W
222	3513-24290	METAL SHEET ASSY 220W	1	220W
223	0151-10056	SUNK HEAD BOLT 10X56H	5	
224	3010-10540	WASHER	5	
225	0302-10250	WASHER SW M10	5	
226	0211-10120	NYLON NUT M10	4	
227	0151-12070	SUNK HEAD BOLT 12X70H	4	
228	0211-12140	NYLON NUT M12	4	
229	0302-12300	WASHER SW M12	4	
230	9590-10413	EYE NUT M10	1	

ROBIN EC-08GH ENGINE — CRANKSHAFT AND PISTON ASSY.

CRANKSHAFT AND PISTON ASSY.



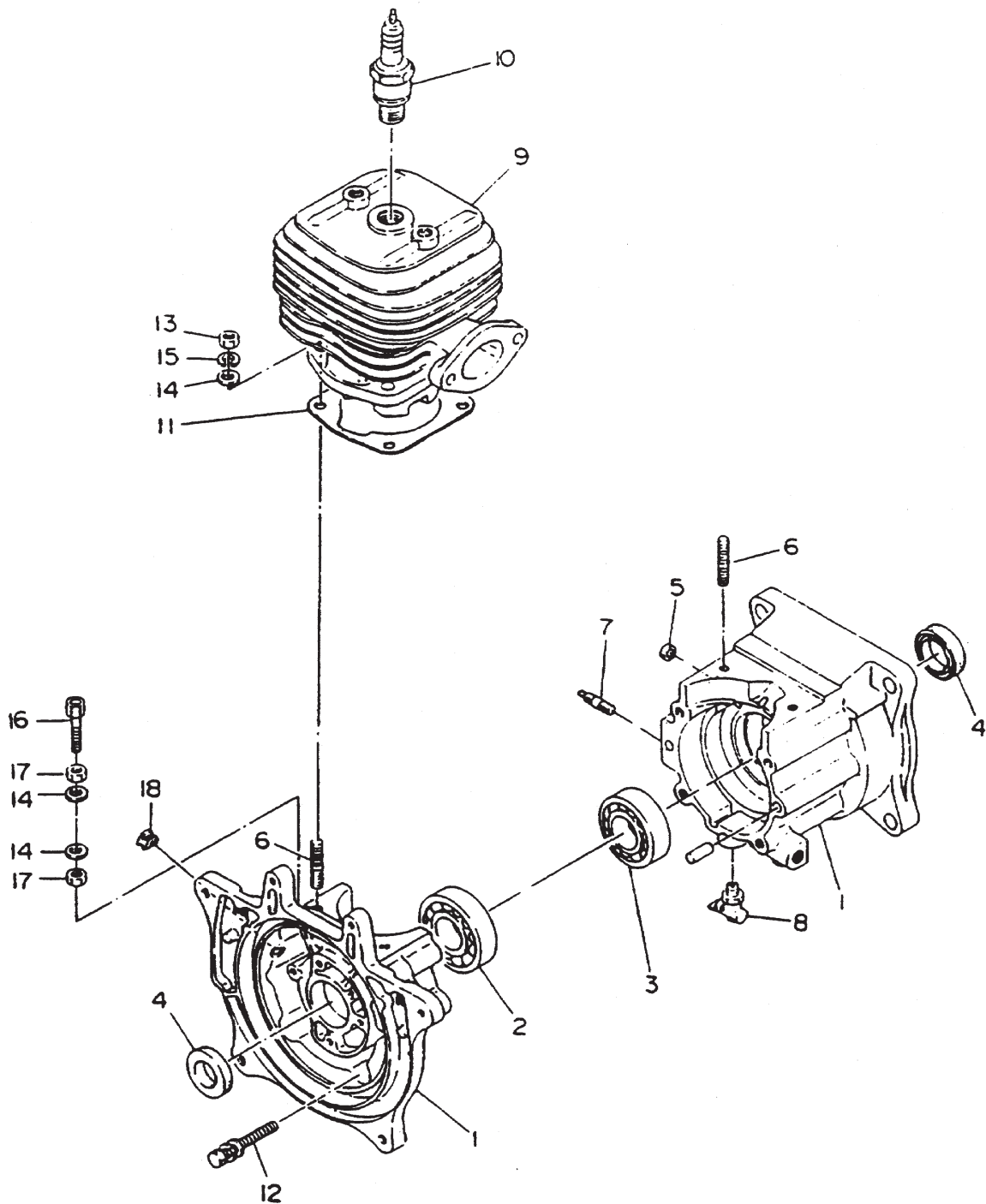
ROBIN EC-08GH ENGINE — CRANKSHAFT AND PISTON ASSY.

CRANKSHAFT AND PISTON ASSY.

<u>NO.</u>	<u>PART NO.</u>	<u>PART NAME</u>	<u>QTY.</u>	<u>REMARKS</u>
1	5802024000	CRANK SHAFT CP	1	
2	5802023000	PISTON RING	2	REPLACES 5802500500
3	5802500600	PISTON	1	
4	5802500700	PISTON PIN	1	
5	0565119990	CLIP	2	
6	0610120010	NEEDLE BEARING	1	
7	0039310000	NUT	1	REPLACES 002181000
8	030206150	WASHER	1	REPLACES 003101000
9	030210250	SPRING WASHER	1	REPLACES 003201000
10	0053204201	WOODRUFF KEY	2	
11	0173120010	ROCK NUT	1	
12	1294170322	GOVERNOR PLATE UNIT	1	
13	5514500100	GOVERNOR SLEEVE	1	
14	0230230020	SPACER	1	
15	0043105080	SCREW (PAN HEAD)	3	
16	0032005000	SPRING WASHER	3	

ROBIN EC-08GH ENGINE — CRANKCASE AND CYLINDER ASSY.

CRANKCASE AND CYLINDER ASSY.



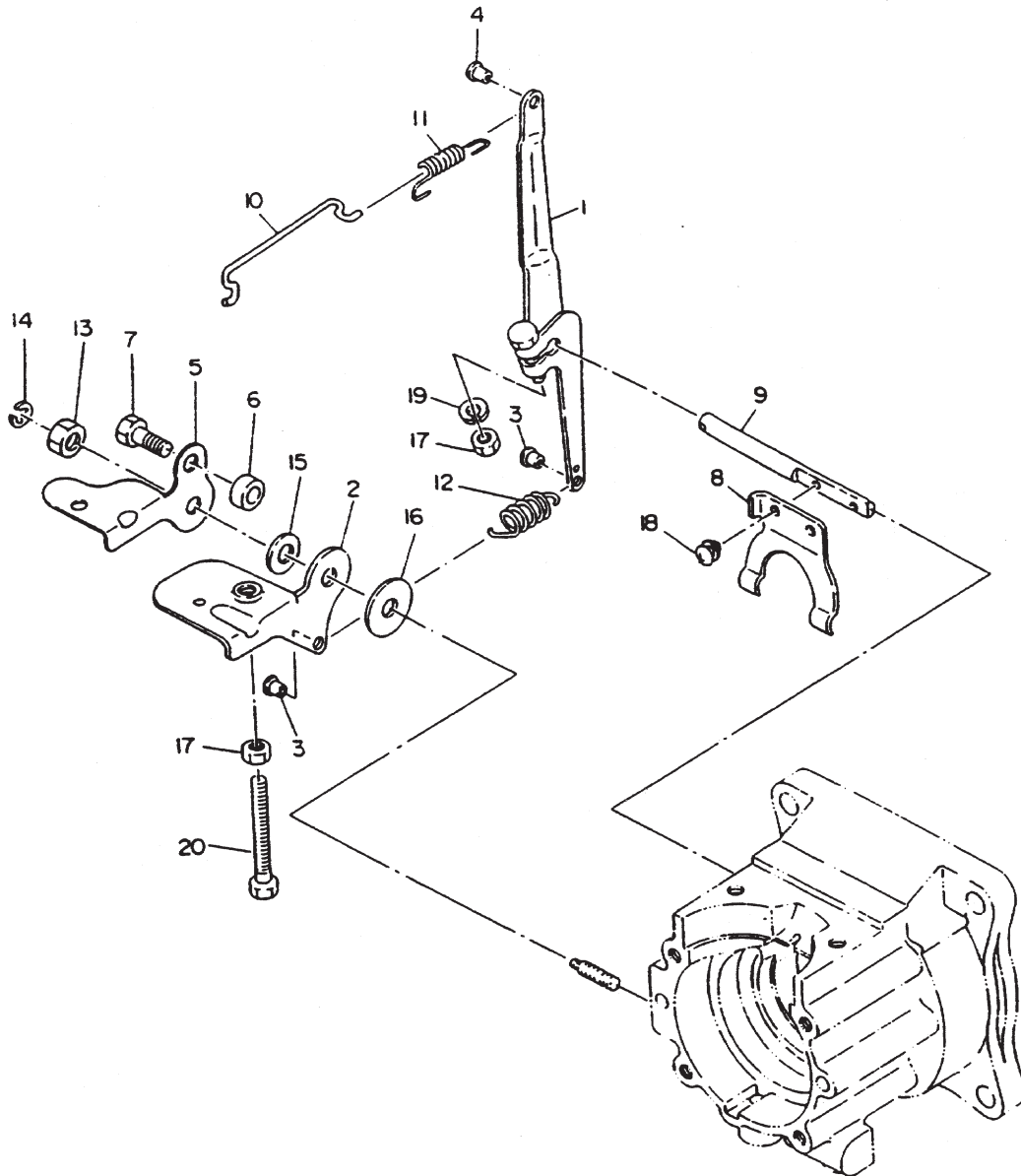
ROBIN EC-08GH ENGINE — CRANKCASE AND CYLINDER ASSY.

CRANKCASE AND CYLINDER ASSY.

<u>NO.</u>	<u>PART NO.</u>	<u>PART NAME</u>	<u>QTY.</u>	<u>REMARKS</u>
1	5801036000	CRANK CASE COMPL.....	1	INCLUDES ITEMS W/*
2*	0600200020	BALL BEARING (6204 C3)	1	
3*	0600200010	BALL BEARING (6004 C3)	1	
4*	0440200020	OIL SEAL	2	
5*	0440060010	OIL SEAL	1	
6*	0105064970	STUD	4	
7*	0105060050	STUD	1	
8	0643109980	DRAIN COCK	1	
9	5801501400	CYLINDER	1	
10	0650140031	SPARK PLUG	1	REPLACES 0650149730 B6HS
11	5801501800	GASKET CYLINDER	1	
12	0011406450	BOLT ASSY	4	
13	0021706000	NUT	4	REPLACES 0021806000
14	0031006000	WASHER	6	
15	030206150	SPRING WASHER	4	REPLACES 0032006000
16	0149069981	ADJUSTING SCREW	1	REPLACES 0149060040
17	020106050	NUT	2	REPLACES 0022706000
18	0241029990	GROMMET	1	

ROBIN EC-08GH ENGINE — GOVERNOR ASSY.

GOVERNOR ASSY.



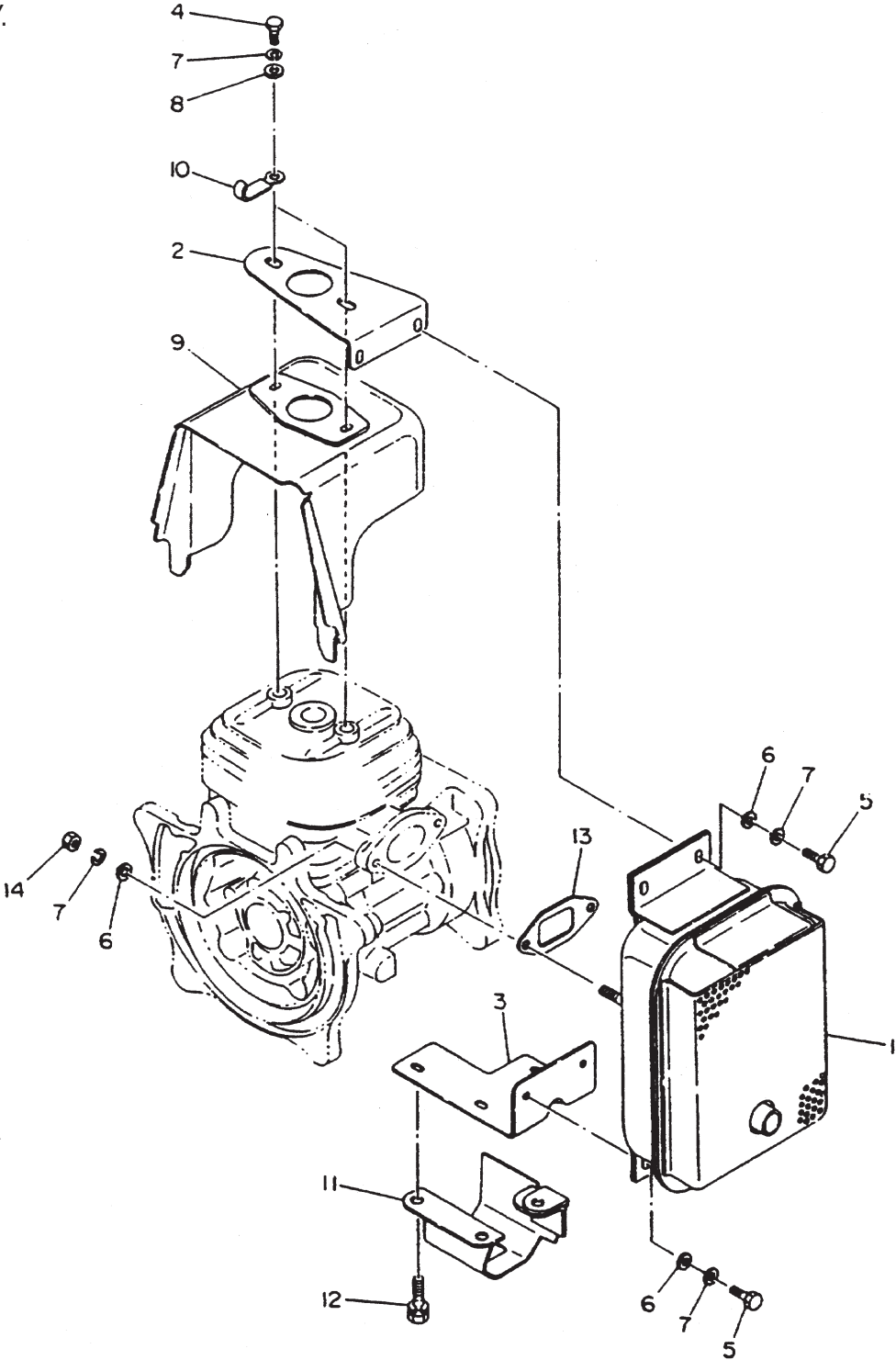
ROBIN EC-08GH ENGINE — GOVERNOR ASSY.

GOVERNOR ASSY.

<u>NO.</u>	<u>PART NO.</u>	<u>PART NAME</u>	<u>QTY.</u>	<u>REMARKS</u>
1	5804005000	GOVERNOR LEVER CP	1	
2	5804500800	CONTROL LEVER	1	
3	5804500900	BUSH	2	
4	5806255008	BUSH NYLON	2	REPLACES 5806083060
5	5804500600	STOP PLATE	1	
6	0230060090	SPACER	1	
7	0105050616	BOLT	1	REPLACES 6202500400
8	1294210113	GOVERNOR YOKE	1	
9	1294220103	GOVERNOR SHAFT	1	
10	1054270111	GOVERNOR ROD	1	
11	1064280113	ROD SPRING	1	REPLACES 1064280111
12	1294250111	GOVERNOR SPRING	1	
13	0170069960	U NUT	1	
14	1294500103	CLIP	1	
15	0200070010	WASHER	1	
16	0217060020	FRICTION WASHER	1	
17	0021706000	NUT	2	
18	0140039980	SCREW AY	2	
19	030206150	SPRING WASHER	1	
20	0016506400	BOLT	1	

ROBIN EC-08GH ENGINE — MUFFLER ASSY.

MUFFLER ASSY.



ROBIN EC-08GH ENGINE — MUFFLER ASSY.

MUFFLER ASSY.

<u>NO.</u>	<u>PART NO.</u>	<u>PART NAME</u>	<u>QTY.</u>	<u>REMARKS</u>
1	5803032000	MUFFLER	1	
2	5803033000	MUFFLER BRACKET A	1	
3	5803034000	MUFFLER BRACKET B	1	
4	0016706200	BOLT (CYLINDER)	2	
5	0016706160	BOLT (MUFFLER)	4	
6	0031006000	WASHER	6	
7	030206150	SPRING WASHER	8 REPLACES 003200600
8	0031206000	WASHER	2	
9	5805012000	CYLINDER COVER	1	
10	1507520103	CLAMP	1	
11	5809011000	PROTECTOR COMPL.	1	
12	0011308180	BOLT AND WASHER ASSY	3	
13	1293500403	GASKET (MUFFLER)	1	
14	0170069960	U NUT	2	

ROBIN EC-08GH ENGINE — CARBURETOR AND AIR CLEANER ASSY.

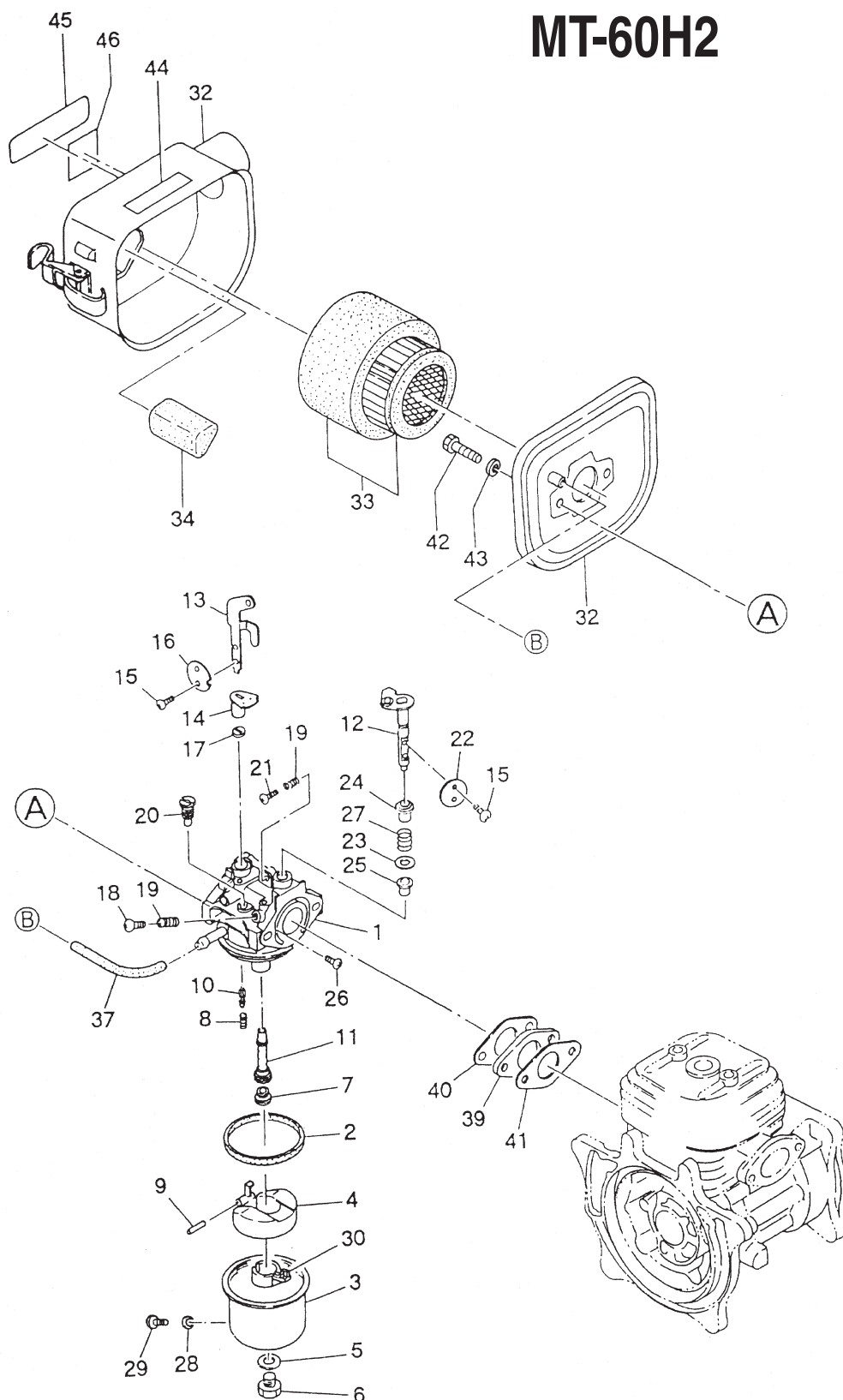
CARBURETOR AND AIR CLEANER ASSY.

<u>NO.</u>	<u>PART NO.</u>	<u>PART NAME</u>	<u>QTY.</u>	<u>REMARKS</u>
1	5806083003	CARBURETOR ASSY	1	INCLS ITEMS W/* REPLACES 5806083000
2*#	5806083340	PACKING	1	
3*	5806083010	FLOAT BODY ASSY	1	
4*	5806083350	FLOAT	1	
5*	5806083330	PACKING	1	
6*	5806083020	BOLT	1	
7*	1066240008	MAIN JET	1	REPLACES 5806083220
8*	5806083240	SPRING	1	
9*#	5416002050	PIN	1	
10*#	5806083250	NEEDLE	1	
11*	5806083260	MAIN NOZZLE	1	
12*	5806083030	THROTTLE SHAFT ASSY	1	
13*	5806083040	CHOKE LEVER	1	
14*	5806083050	RING	1	
15*	2346245008	SCREW	4	REPLACES 5806083160
16*	5806083310	CHOKE VALVE	1	
17*	5806255008	BUSH, NYLON	1	REPLACES 5806083060
18*#	2136239008	PILOT SCREW	1	REPLACES 5416002150
19*#	2096244508	SPRING	2	REPLACES 8046001230
20*#	2076242008	PILOT JET	1	REPLACES 5606003020
21*#	5416002230	SCREW	1	
22*	1616253508	THROTTLE VALVE	1	REPLACES 5806083110
23*	5806083230	PACKING	1	
24*	5806083120	RING	1	
25*#	5806083210	SEAL	1	
26*	5806083130	SCREW	1	
27*#	5806083140	SPRING	1	
28*#	2366254108	PACKING	1	REPLACES 5806083320
29*	5806083150	SCREW	1	
30	0011306750	BOLT	2	
31	030206150	SPRING WASHER	2	
32	5803035002	AIR CLEANER ASSY	1	INCLS. ITEMS W/+ REPLACES 5803035001
33+	5803039000	ELEMENT	1	REPLACES 5803035050
35	5803019020	LABEL , CLEANER	1	
36	5803035030	PACKING	1	
37	0851009980	RUBBER PIPE	1	
38	0736369980	LABEL	1	
39	5803501200	INSULATOR	1	
40	2363590303	GASKET 2 (INSULATOR)	1	
41	1063500103	GASKET (INSULATOR)	1	
#	5806230207	CARBURETOR KIT	1	INCLUDES ITEMS W/#

ROBIN EC-08GH ENGINE — CARBURETOR AND AIR CLEANER ASSY.

CARBURETOR AND AIR CLEANER ASSY.

MT-60H2



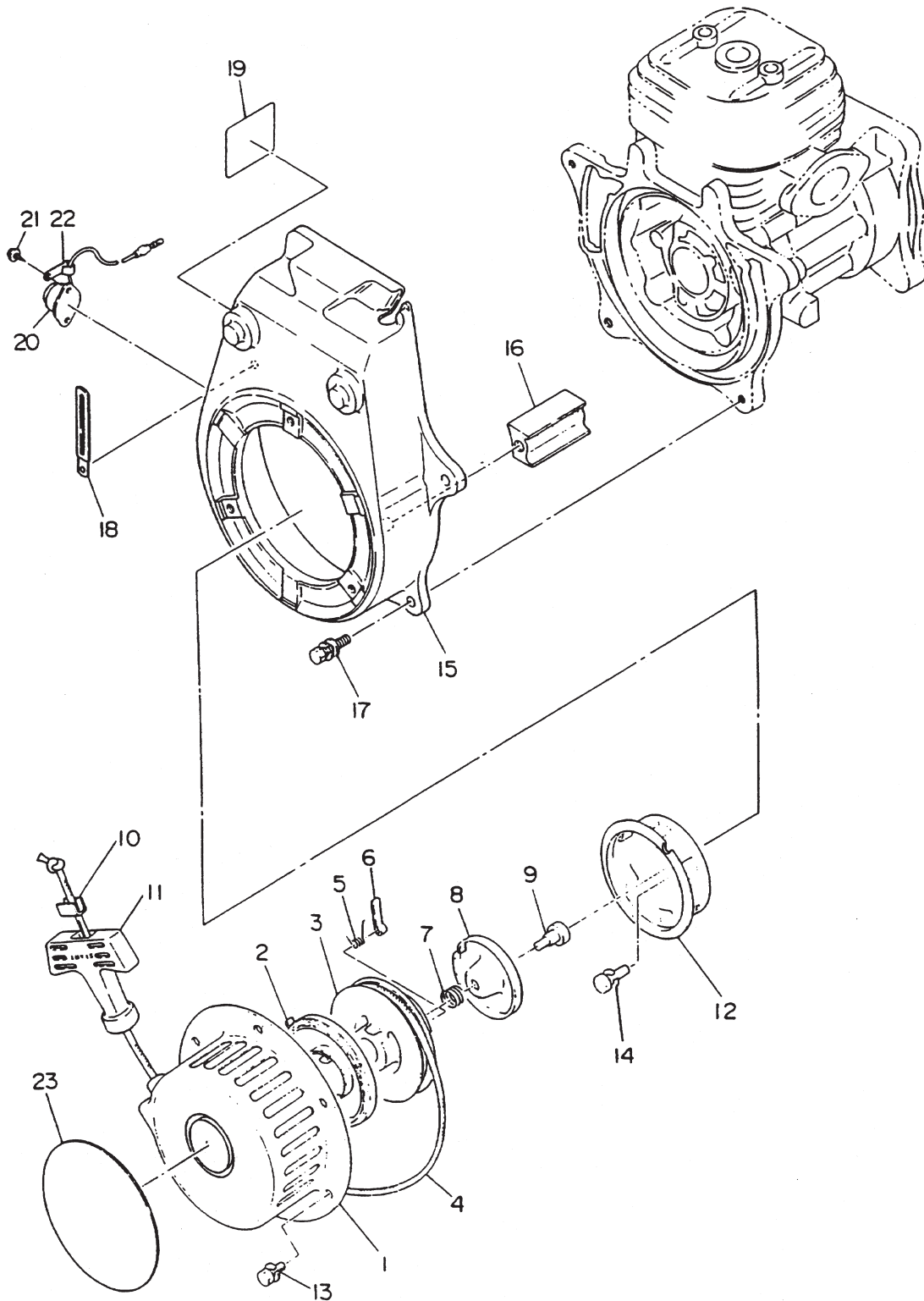
ROBIN EC-08GH ENGINE — CARBURETOR AND AIR CLEANER ASSY.

CARBURETOR AND AIR CLEANER ASSY.

<u>NO.</u>	<u>PART NO.</u>	<u>PART NAME</u>	<u>QTY.</u>	<u>REMARKS</u>
1	5806111000	CARBURETOR ASSY	1	INCLUDES ITEMS W/*
2#*	2366254008	PACKING	1	REPLACES 5806083340
3*	5806083010	FLOAT BODY ASSY	1	
4*	5806083350	FLOAT	1	
5*	5806083330	PACKING	1	
6*	5806083020	BOLT	1	
7*	1296240008	MAIN JET #77.5	1	REPLACES 1296240108
8*	2366244508	SPRING	1	REPLACES 5806083240
9#*	2146251508	PIN	1	REPLACES 5416002050
10#*	5806083400	NEEDLE	1	
11*	5806083260	MAIN NOZZLE	1	
12*	5806083030	THROTTLE SHAFT ASSY	1	
13*	5806803040	CHOKE LEVER	1	
14*	5806083050	RING	1	
15#*	2346245008	SCREW	4	REPLACES 5806083160
16*	5806083310	CHOKE VALVE	1	
17*	2266255008	BUSHING, NYLON	1	REPLACES 5806083060
18*	2136239008	PILOT SCREW	1	REPLACES 5416002150
19#*	2096244508	SPRING	2	REPLACES 8046001230
20#*	2076242008	PILOT JET	1	REPLACES 5606003020
21#*	5416002230	SCREW	1	
22*	1616253508	THROTTLE VALVE	1	REPLACES 5806083110
23*	5806083230	PACKING	1	
24*	5806083120	RING	1	
25#	5806083210	SEAL	1	
26*	5806083130	SCREW	1	
27#	5806083140	SPRING	1	
28#*	2366254108	PACKING	1	REPLACES 5806083320
29*	5806083150	SCREW	1	
30	5806083370	FLOAT STOPPER	1	
32	1063273110	AIR CLEANER ASSY	1	INCLUDES ITEMS W/+
33+	1573620101	ELEMENT SET	1	
34+	1613261008	ELEMENT	1	
37	0851009981	RUBBER PIPE	1	
39	5803501200	INSULATOR	1	
40	2363590303	GASKET 2 (INSULATOR)	1	
41	1063500103	GASKET (INSULATOR)	1	
42	0011306750	BOLT	2	
43	030206150	SPRING WASHER	2	REPLACES 0032006000
44	0732001930	LABEL (CHOKE)	1	
45	1073273308	LABEL, ELEMENT MAINTENANCE	1	
46	920203980	DECAL, ELEMENT SET	1	
	KITCARB60H2	CARBURETOR KIT	1	INCLUDES ALL ITEMS W/#

ROBIN EC-08GH ENGINE — RECOIL STARTER AND BLOWER ASSY.

RECOIL STARTER AND BLOWER ASSY.



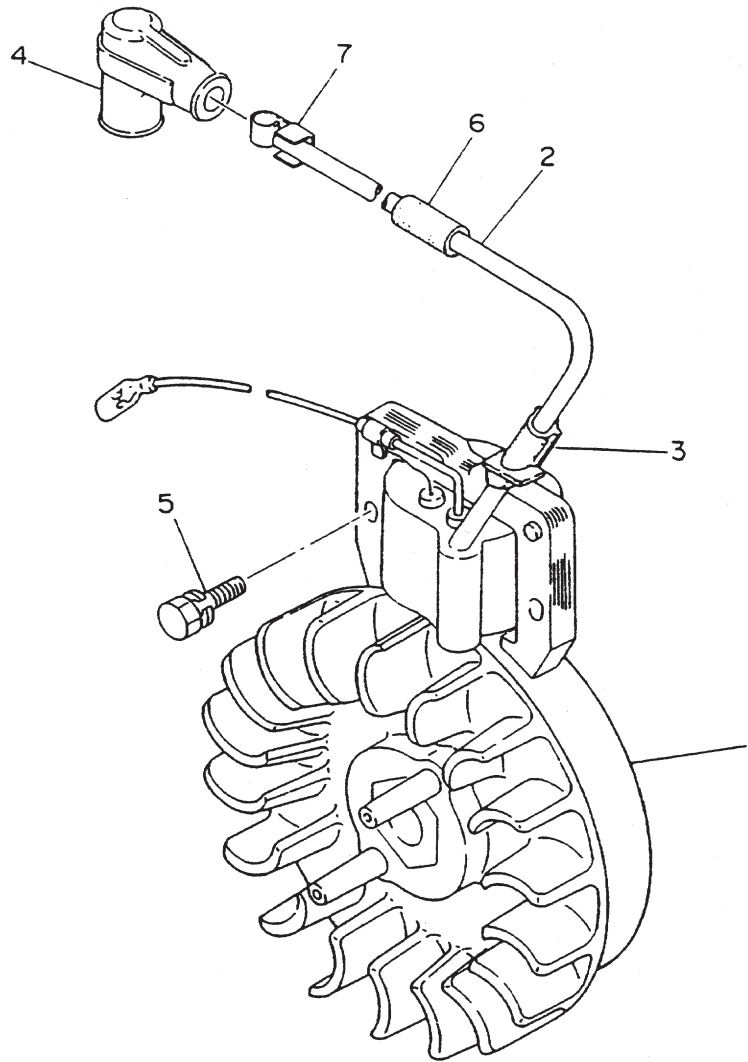
ROBIN EC-08GH ENGINE — RECOIL STARTER AND BLOWER ASSY.

RECOIL STARTER AND BLOWER ASSY.

<u>NO.</u>	<u>PART NO.</u>	<u>PART NAME</u>	<u>QTY.</u>	<u>REMARKS</u>
1	5805001000	RECOIL STARTER CP	1	INCLUDES ITEMS W/*
2*	5805004020	SPIRAL SPRING	1	
3*	5805004030	REEL	1	
4*	5805001020	STARTER ROPE	1	
5*	5805004050	RETURN SPRING	1	
6*	5805004040	RATCHET	1	
7*	5806011030	FRICTION SPRING	1	
8*	EC08A05038	FRICTION PLATE	1	REPLACES 5805004120
9*	5805011020	CENTER SCREW	1	
10*	5515005160	ROPE STOPPER	1	
11*	5805001030	STARTER HANDLE	1	
12*	EC08A050311	STARTER PULLEY	1	REPLACES 5805004140
13	0011006100	BOLT AND WASHER ASSY	3	
14	0011006140	BOLT ASSY	2	
15	5805500100	BLOWER HOUSING	1	
16	5515500200	GUIDE RUBBER	1	
17	0011106200	BOLT ASSY	4	
18	0566000250	CLAMP	1	
19	5809501000	LABEL ENGINE NAME	1	
20	0669900217	STOP BUTTON ASSY	1	REPLACES 0662009870
21	0043504060	SCREW	2	
22	0566030010	CLAMP	1	
23		DECAL	1	NOT SERVICED SEPERATELY

ROBIN EC-08GH ENGINE — MAGNETO ASSY.

MAGNETO ASSY.



ROBIN EC-08GH ENGINE — MAGNETO ASSY.

MAGNETO ASSY.

<u>NO.</u>	<u>PART NO.</u>	<u>PART NAME</u>	<u>QTY.</u>	<u>REMARKS</u>
1	5807005001	MAGNETO CP	1	INCLUDES ITEM W/*
2*	5807007020	IGNITION COIL	1	REPLACES 5807002020
3	0241069980	GROMMET	1	
4	0655000140	SPARK PLUG CAP	1	
5	0011105250	BOLT AND WASHER ASSY	2	
6	0851029960	VINYL PIPE	1	
7	0659000010	SPARK PLUG TERMINAL	1	REPLACES 0655000100