

PARTS MANUAL



Mikasa **SERIES**
MODEL MT54F
TAMPING RAMMER
(ROBIN EH09 GASOLINE ENGINE)

Revision #9 (09/30/20)

THIS MANUAL MUST ACCOMPANY THE EQUIPMENT AT ALL TIMES.

SUGGESTED SPARE PARTS

MT-54F RAMMER 1 TO 3 UNITS

Qty.	P/N	Description
1	956225020	LEVER, THROTTLE
3	354030030	ELEMENT, YELLOW
3	354030040	ELEMENT, GRAY
1	361910020	CAP, FUEL TANK W/ STRAP
1	954405990	COCK, FUEL ASSY.
1	954404890	FILTER, FUEL TANK
2	301419750	FILTER, IN-LINE FUEL
3	2743261007	ELEMENT, SET ENGINE
1	066000361	BUTTON, STOP
3	0650140460	SPARK PLUG
1	954406010	STRAINER, FUEL TANK
1	956106040	THROTTLE , WIRE

MT-54F RAMMER 3 TO 5 UNITS

1	956225020	LEVER, THROTTLE
1	956106040	THROTTLE WIRE
5	354030030	ELEMENT, YELLOW
5	354030040	ELEMENT, GRAY
2	351316870	CLAMP, BELLOWS
1	353332870	BELLOWS
1	361910020	CAP, FUEL TANK W/ STRAP
1	954405990	COCK, FUEL ASSY.
2	954404890	FILTER, FUEL TANK
5	301419750	FILTER, IN-LINE FUEL
5	2743261007	ELEMENT SET ENGINE
1	0660000361	BUTTON, STOP
5	0650140460	SPARK PLUG

NOTICE

Part number on this Suggested Spare Parts List may supersede/replace the P/N shown in the text pages of this book.

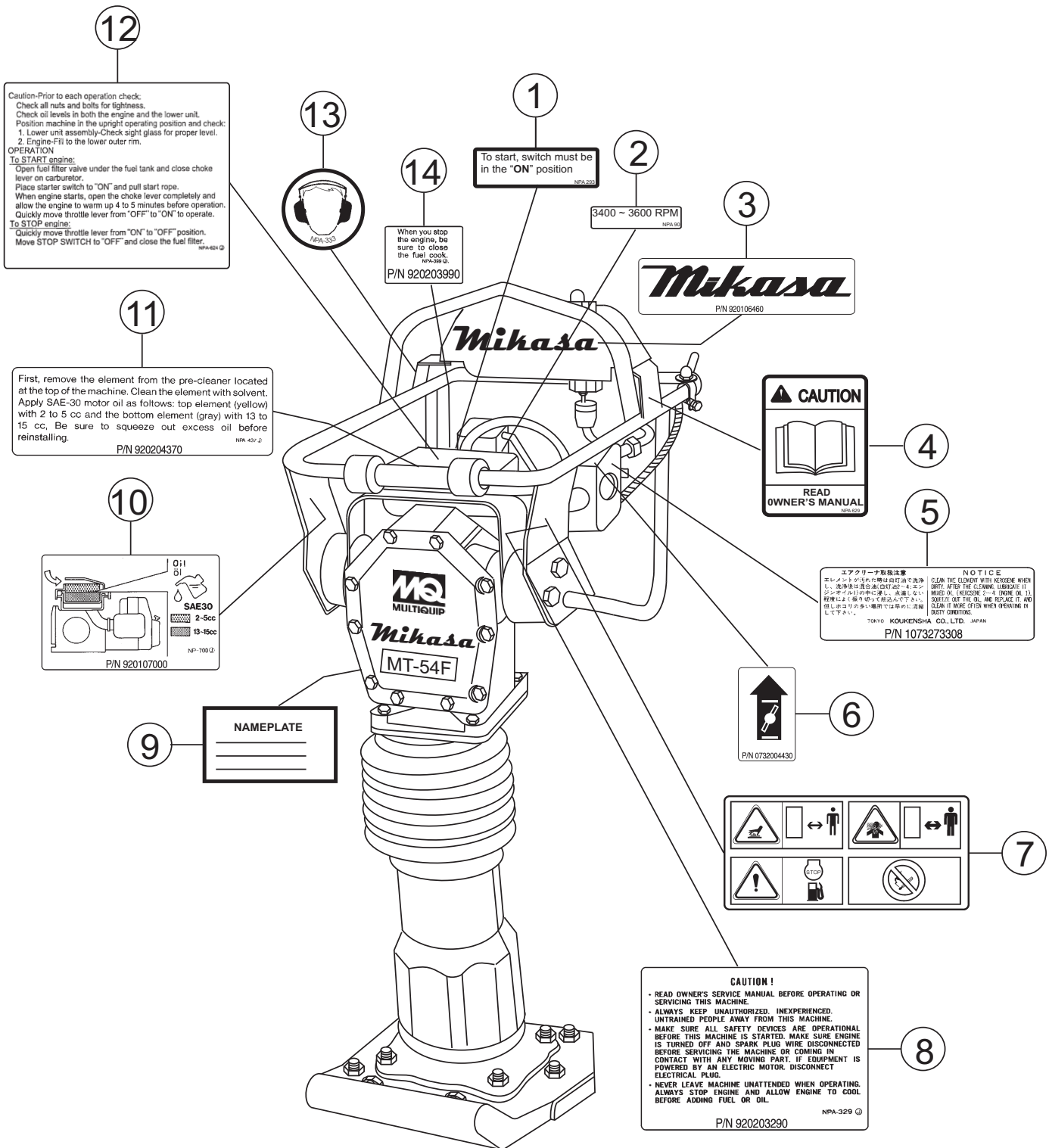
MT-54F RAMMER 5 TO 10 UNITS

2	956225020	LEVER, THROTTLE
2	956106040	THROTTLE WIRE
6	354030030	ELEMENT, YELLOW
6	354030040	ELEMENT, GRAY
4	351316870	CLAMP, BELLOWS
2	353332870	BELLOWS
2	361910020	CAP, FUEL TANK W/STRAP
2	954405990	COCK, FUEL ASSY.
4	954404890	FILTER, FUEL TANK
6	301419750	FILTER, IN-LINE FUEL
3	2743261007	ELEMENT SET ENGINE
3	0660000361	BUTTON, STOP
10	0650140460	SPARK PLUG
2	954406010	STRAINER, FUEL TANK
2	2741550103	GASKET, COMPLETE HEAD
2	2303520101	GASKET, COMPLETE EXHAUST
1	2303262008	GASKET, AIR CLEANER
1	2746230100	CARBURETOR ASSEMBLY
1	050100800	O-RING, UPPER GUIDE CYLINDER
2	050100950	O-RING, MIDDLE GUIDE CYLINDER
1	050930850	O-RING, LOWER GUIDE CYLINDER
1	050100750	O-RING, FOOT PLATE GUIDE CYLINDER

MT-54F RAMMER 10+ UNITS

4	956225020	LEVER, THROTTLE
4	956106040	THROTTLE WIRE
10	354030030	ELEMENT, YELLOW
10	354030040	ELEMENT, GRAY
8	351316870	CLAMP, BELLOWS
4	353332870	BELLOWS
4	361910020	CAP, FUEL TANK W/ STRAP
4	954405990	COCK, FUEL ASSY.
6	954404890	FILTER, FUEL TANK
10	301419750	FILTER, IN-LINE FUEL
10	2743261007	ELEMENT SET ENGINE
4	0660000361	BUTTON, STOP
16	0650140460	SPARK PLUG
1	2747020101	IGNITION COIL
3	2741550103	GASKET, COMPLETE HEAD
3	2303520101	GASKET, COMPLETE EXHAUST
3	2303262008	GASKET, AIR CLEANER
1	301421363	CLUTCH ASSY
1	2746230100	CARBURETOR ASSEMBLY
1	2745020100	RECOIL STARTER ASSEMBLY
2	050100800	O-RING, UPPER GUIDE CYLINDER
4	050100950	O-RING, MIDDLE GUIDE CYLINDER
2	050930850	O-RING, LOWER GUIDE CYLINDER
2	050100750	O-RING, FOOT PLATE GUIDE CYLINDER

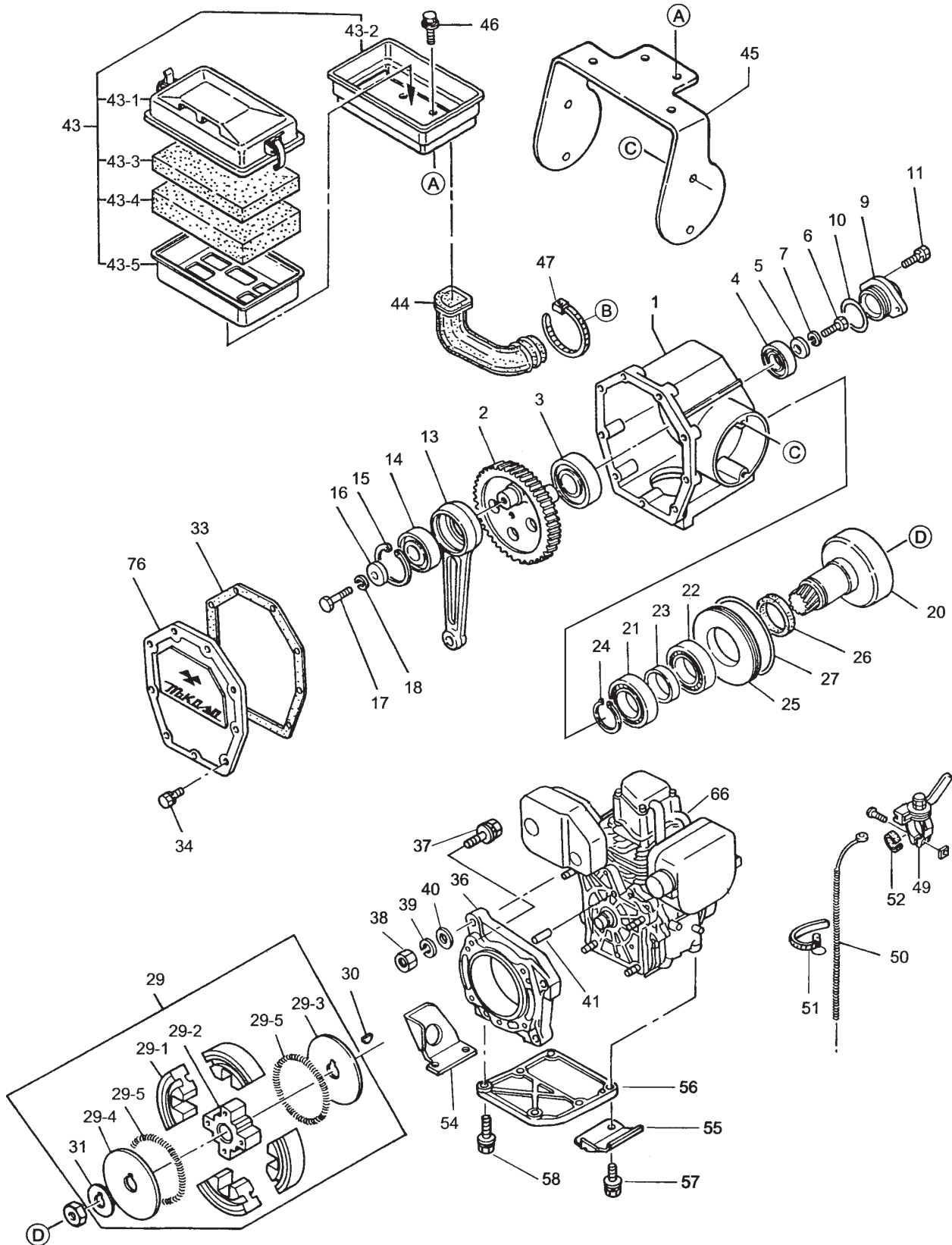
NAMEPLATE AND DECALS



NAMEPLATE AND DECALS

NO	PART NO	PART NAME	QTY.	REMARKS
1*	920202930	DECAL: START SWITCH	1	NPA-293
2*	920200900	DECAL: 3400 ~ 3600 RPM	1	NPA-90
3*	920106460	DECAL: MIKASA	1	
4*	920206290	DECAL: READ OWNER'S MANUAL	1	NPA-629
5*	1073273308	DECAL: NOTICE	1	NPA-831
6*	0732004430	DECAL: START SWITCH	1	
7*	0732004450	DECAL: WARNING	1	
8*	920203290	DECAL: CAUTION	1	NPA-329
9		PLATE, SERIAL NO.	1	CONTACT MQ SERVICE DEPT. W/MODEL & S/N
10*	920107000	DECAL: OIL	1	NP-700
11*	920204370	DECAL: PRE-CLEANER	1	NPA-437
12*	920206240	DECAL: START/STOP ENGINE	1	NPA-624
13*	920203330	DECAL: EAR PROTECTION	1	NPA-333
14*	920203990	DECAL: CLOSE FUEL COCK	1	NPA-399
	DCLMT54F	KIT, DECAL	1	INCLUDES ITEMS W/*

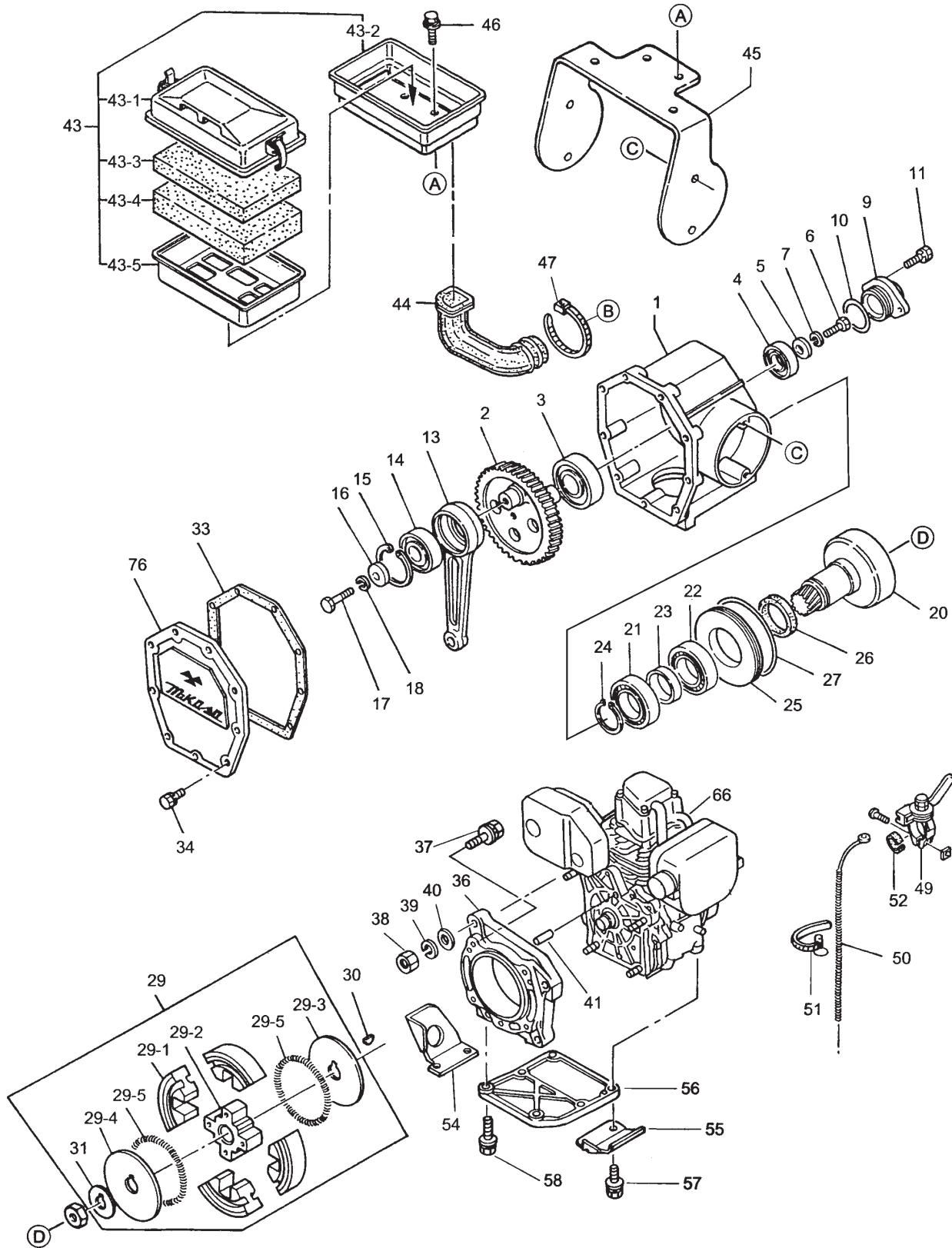
CRANKCASE AND ENGINE ASSY.



CRANKCASE AND ENGINE ASSY.

<u>NO</u>	<u>PART NO</u>	<u>PART NAME</u>	<u>QTY.</u>	<u>REMARKS</u>
1	351109060	CRANKCASE	1	
2	351324110	CRANK GEAR	1	
3	040006305	BEARING 6305	1	
4	040006203	BEARING 6203	1	
5	952401450	WASHER 8.5X22X3	1	
6	011208025	BOLT 8X25 T	1	REPLACES 001220825
7	030208200	WASHER M8	1	
9	351434563	BEARING COVER	1	
10	050100350	O-RING G-35	1	
11	002210620	BOLT 6X20 H, SW	4	
13	303010060	CONNECTING ROD	1	
14	040006304	BEARING 6304	1	
15	080100520	STOP RING R-52	1	
16	952400130	WASHER 9304	1	
17	011208025	BOLT 8X25 T	1	REPLACES 001220825
18	030208200	SW M8	1	
20	303010084	PINION	1	
21	040006007	BEARING 6007	1	
22	041006007	BEARING 6007Z	1	
23	351437750	SPACER 35,4-42,7-11	1	
24	080200350	STOP RING S-35	1	
25	351421900	SPACER, CLUTCH DRUM	1	
26	060404010	OIL SEAL TC-40528	1	
27	050300900	O-RING G-90	1	
29	301421363	CLUTCH ASSY. C812E	1	INCLUDES ITEMS W/*
29-1*	943020020	CLUTCH SHOE C812	4	
29-2*	943050050	CLUTCH BOSS C812	1	
29-3*	943060010	CLUTCH GUIDE	1	
29-4*	943060020	CLUTCH GUIDE	1	
29-5*	943030020	CLUTCH SPRING	2	

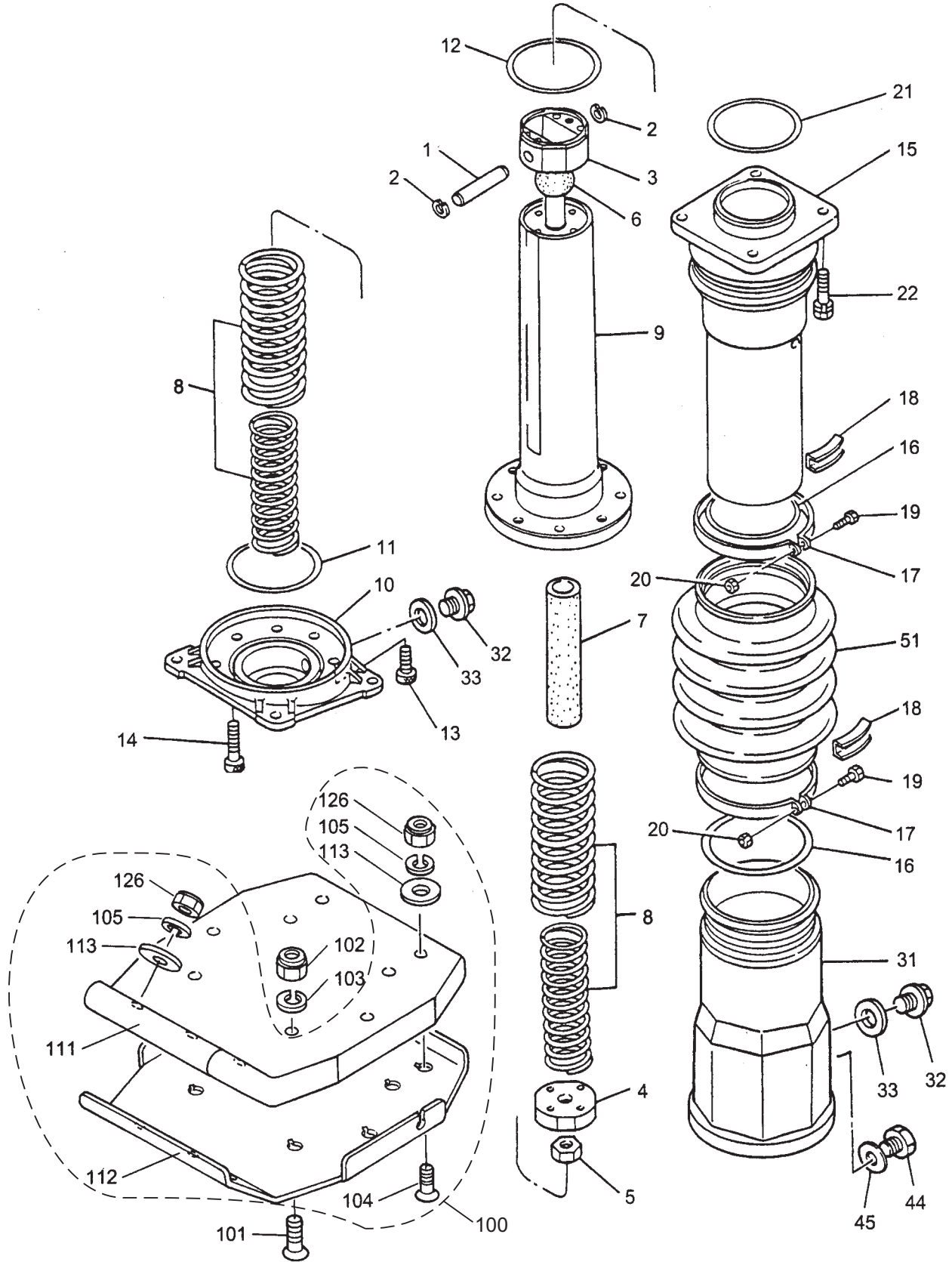
CRANKCASE AND ENGINE ASSY.



CRANKCASE AND ENGINE ASSY.

<u>NO</u>	<u>PART NO</u>	<u>PART NAME</u>	<u>QTY.</u>	<u>REMARKS</u>
30	0053204201	WOODRUFF KEY	1	
31	301010210	LOCK WASHER CLUTCH	1	
33	351319880	PACKING, FRONT COVER	1	
34	002210620	BOLT 6X20 H, SW	9	
36	2741500103	ADAPTER	1	
37	0011408400	BOLT & WASHER ASSY.	4	
38	0021808000	NUT	4	
39	030208200	SPRING WASHER	4	REPLACES 0032008000
40	0031108000	WASHER	4	
41	0310060020	DOWEL PIN	2	
43	354211841	AIR CLEANER ASSY.	1	INCLUDES ITEMS W/ #
43-1#	354030011	BODY/ W- CLEANER	1	
43-2#	354030020	BACK PLATE	1	
43-3#	354030030	ELEMENT YELLOW	1	
43-4#	354030040	ELEMENT GRAY	1	
43-5#	354030050	ELEMENT FRAME	1	
44	362338680	INTAKE PIPE	1	
45	353336190	CLEANER STAY 3.2T	1	
46	002210820	BOLT 8X20 H, SW	4	
47	507010110	CLAMP TC-200	1	
49	956225020	THROTTLE LEVER ASSY. 25D	1	
50	956106040	THROTTLE WIRE S620-740	1	
51	303010450	BAND	1	
52	959403750	RUBBER, SLIP STOP	1	
54	362338660	OIL GAUGE PROTECTOR	1	
55	362338740	LINK PROTECTOR	1	
56	2741600103	STIFFENER	1	
57	0011408250	BOLT & WASHER	4	
58	0011408300	BOLT & WASHER ASSY.	2	
66	911210902	ENGINE ASSY. EH- 09	1	
76	362214760	FRONT COVER	1	

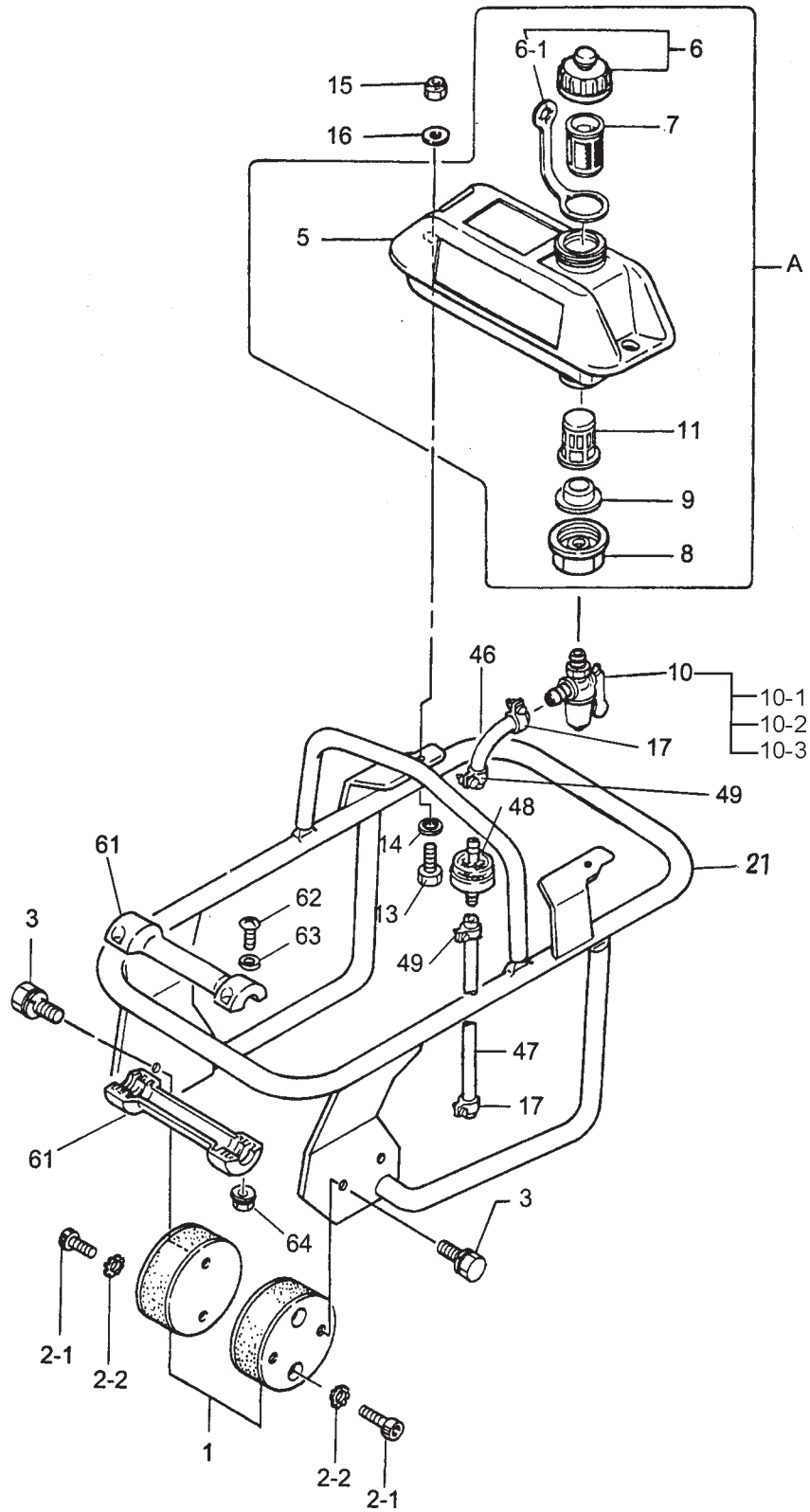
GUIDE CYLINDER AND FOOT ASSY.



GUIDE CYLINDER AND FOOT ASSY.

<u>NO</u>	<u>PART NO</u>	<u>PART NAME</u>	<u>QTY.</u>	<u>REMARKS</u>
1	351420390	PISTON PIN	1	
2	080100120	STOP RING R-12	2	
3	351324120	PISTON ROD	1	
4	351420400	PISTON END	1	
5	020116130	NUT M16, P1.5	1	
6	351434200	STOPPER,UPPER	1	
7	351434211	STOPPER, LOWER D:30	1	
8	351324140	MAIN SPRING A,B	2	
9	351324130	SPRING CYLINDER	1	
10	362214820	FOOT PLATE	1	
11	050100750	O-RING G-75	1	
12	050930850	O-RING JAS03085	1	
13	014210020	SOCKET HEAD BOLT 10X20 T	4	REPLACES 001521020
14	014210035	SOCKET HEAD BOLT 10X35 T	4	REPLACES 001521035
15	351209590	GUIDE CYLINDER	1	
16	050100950	O-RING G-95	2	
17	351316870	BELLOWS CLAMP	2	
18	351433250	BAND GUIDE / BELLOWS	2	
19	001210840	BOLT 8X40 H	2	REPLACES 001210840
20	020108060	NU T M8	2	REPLACES 020308060
21	050100800	O-RING	1	
22	012010040	BOLT 10X40 H	4	REPLACES 002211040
31	351109020	PROTECTIVE SLEEVE	1	
32	953405270	PLUG 1/4X14 13L	2	
33	953405260	PACKING 1/4	2	
44	959010150	LEVEL GAUGE, PLUG TYPE	1	
45	953404670	COOPER PACKING 17X25.5X1	1	
51	353332870	BELLOWS	1	
100	362910030	FOOT ASSY. 265W	1	INCLUDES ITEMS W/ * 11" X 13.5 (WxL)
101	015112060	SUNK HEAD BOLT 12 X 70 H	4	REPLACES 001611253
102	021112140	NYLON NUT M12	4	REPLACES 022711214
103	030212300	WASHER M12	4	
104*	015110055	SUNK HEAD BOLT 10X55 H	7	REPLACES 001611051 INCLUDES ITEMS W/ #
105*	030210250	WASHER M10	7	
111*	362338750	FOOT 265W (CUT-TYPE)	1	
112*	362338760	METAL SHEET 265W (CUT- TYPE)	1	
113*#	301010540	WASHER 11X34X3.2	7	
126*	022711012	NYLON NUT M10	7	

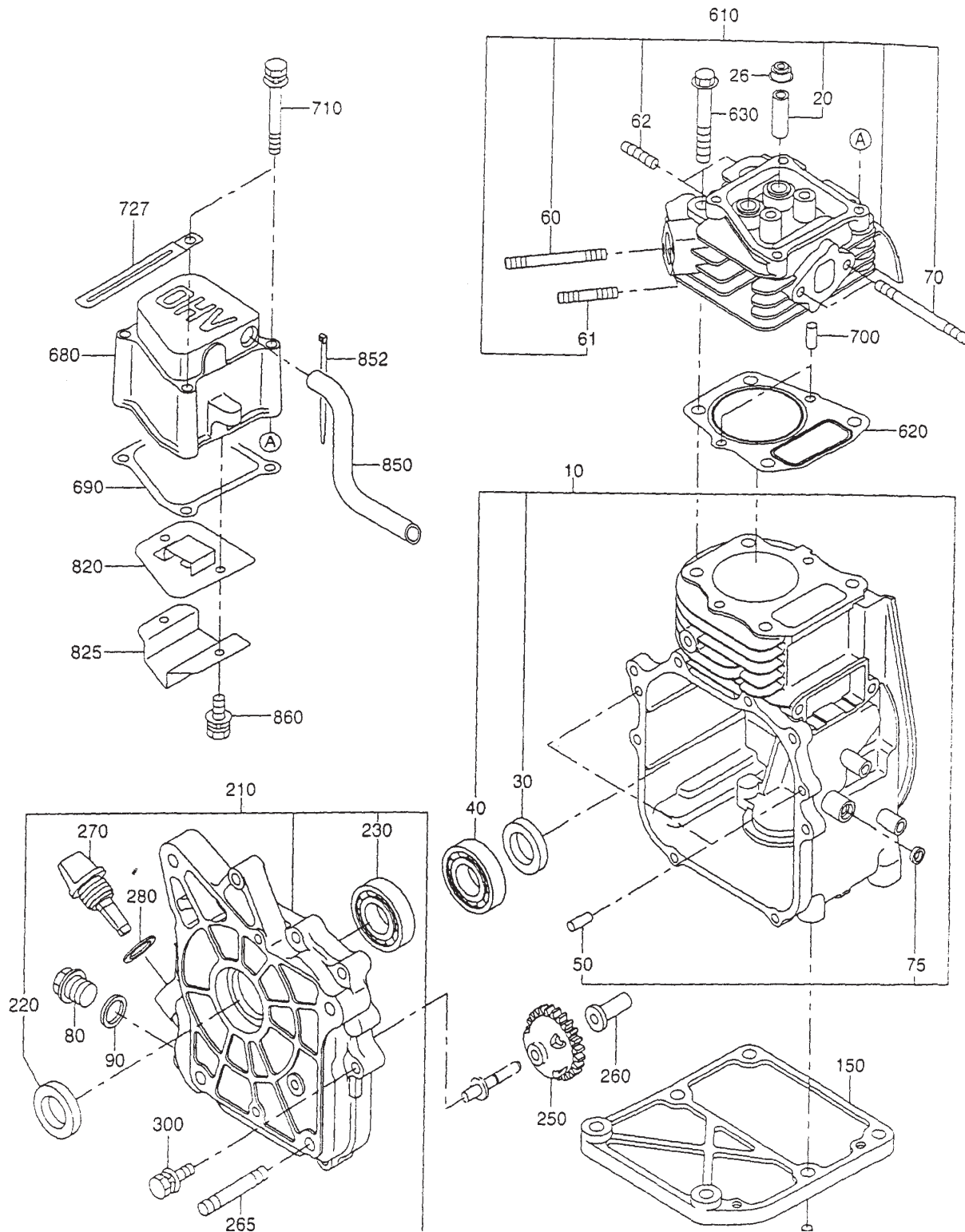
TANK AND HANDLE ASSY.



TANK AND HANDLE ASSY.

NO	PART NO	PART NAME	QTY.	REMARKS
A	305910030	FUEL TANK ASSY.,2L	1	INCLUDES ITEMS W/%
1	351337070	SHOCK ABSORBER	2	INCLUDES ITEMS W/#
2-1#	001521020	SOCKET HEAD BOLT 10X20 T	4	REPLACES 001521020
2-2#	033121009	TOOTHED LOCK WASHER B M10	4	
3	012210020	BOLT 10X20 H,SW	4	REPLACES 002211020
5%	305112820	FUEL TANK 2L (P)	1	
6%	361910020	TANK CAP ASSY. (ORANGE)	1	INCLUDES ITEM W/*
6-1*%	353449010	STRAP, OIL TANK	1	
7%	954404890	FILTER, TANK	1	
8%	351437785	HOLDER, COCK	1	
9%	954406020	PACKING, FUEL TANK	1	
10	954405990	FUEL COCK ASSY.	1	INCLUDES ITEMS W/◆
10-1◆	0642001410	CUP	1	
10-2◆	0642001420	SCREEN	1	
10-3◆	0642001430	RUBBER PACKING	1	
11%	954406010	STRAINER	1	
13	011208030	BOLT	2	REPLACES 001220830
14	030208200	WASHER M8	2	
15	022710809	NYLON NUT M8	2	
16	952401450	WASHER 8.5X22X3	2	
17	954404590	HOSE BAND 9.5D	2	
21	362116050	HANDLE	1	
46	351436350	FUEL HOSE R-150	1	
47	351435160	FUEL HOSE B-95	1	
48	301419750	FUEL FILTER CP, MQ75MIC.	1	
49	301420730	HOSE BAND	2	REPLACES 954403030
61	361910040	ROLLER, W/ PIN	2	REPLACES 955200051
62	091005025	SCREW 5X25	4	
63	031105080	WASHER M5	4	
64	022610505	FLANGE NUT M5 H	4	

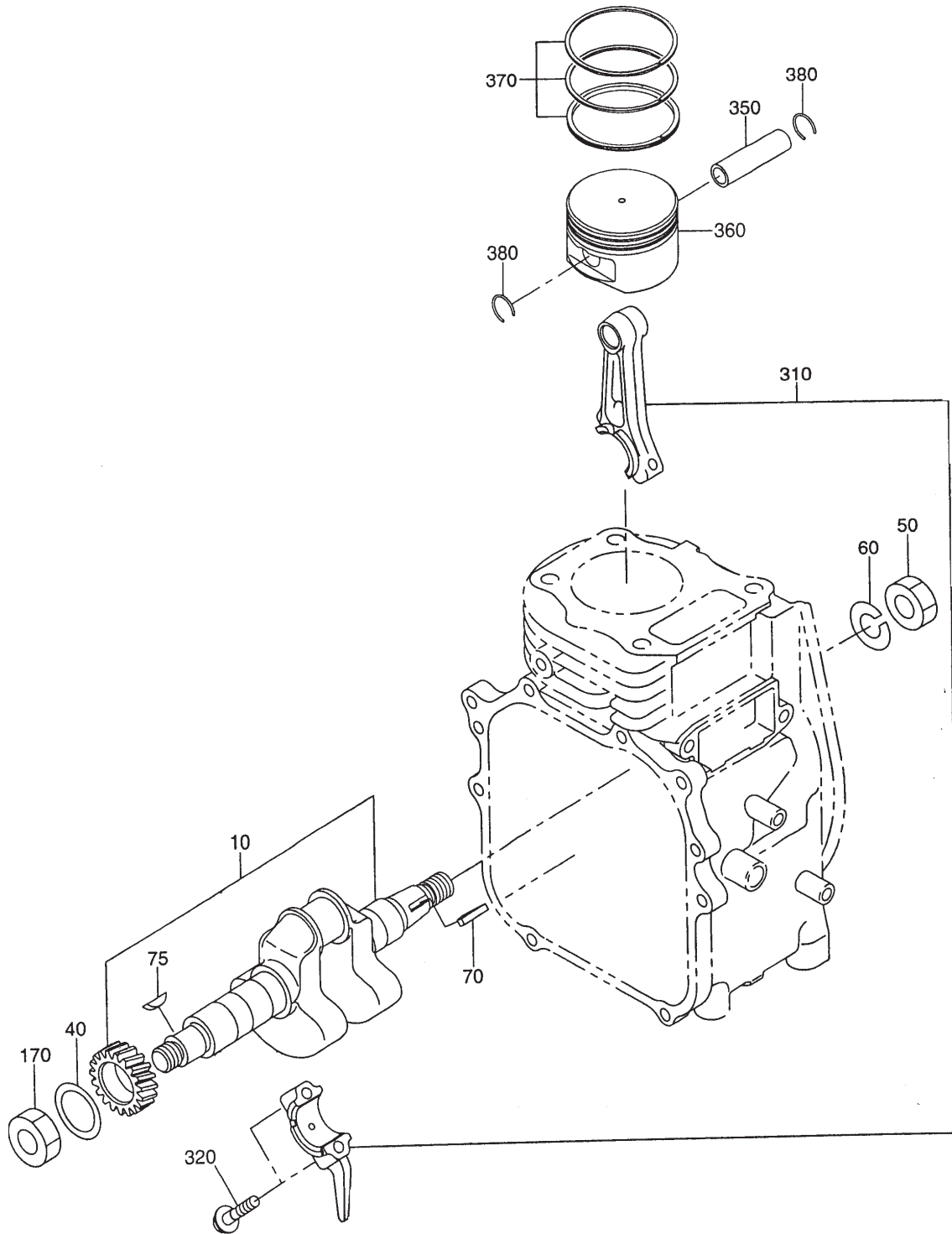
ROBIN EH09 ENGINE — CRANKCASE ASSY.



ROBIN EH09 ENGINE — CRANKCASE ASSY.

<u>NO</u>	<u>PART NO</u>	<u>PART NAME</u>	<u>QTY.</u>	<u>REMARKS</u>
10	2741010121	CRANKCASE CP	1	INCLUDES ITEMS W/#
20%	2371420203	VALVE GUIDE	2	
26	2371600801	STEM SEAL CP	1	
30#	0440200070	OIL SEAL 20X32X6	1	
40#	0600200140	BALL BEARING	1	
50#	0310060020	DOWEL PIN	2	
60%	0013906600	STUD	1	
61%	0105060200	STUD	1	
62%	0105060170	STUD	2	
70%	0105060160	STUD	2	
75#	0440060010	OIL SEAL 6X10X2.5	1	
80	0401140030	PLUG	1	
90	0211140020	GASKET	1	
150	2741600113	STIFFENER	1	
160	0011408250	BOLT & WASHER	2	
210	2741100131	MAIN BEARING COVER.....	1	INCLUDES ITEMS W/*
220*	0440200110	OIL SEAL 20X32X6	1	
230*	0600200140	BALL BEARING	1	
250	2304500301	GOVERNOR GEAR CP	1	
260	2054190103	GOVERNOR SLEAVE	1	
265	0013908500	STUD	4	
270	2306360113	OIL GAUGE	1	
280	0213160020	GASKET	1	
300	0130060200	BOLT & WASHER	9	
610	2741300121	CYLINDER HEAD CP	1	INCLUDES ITEMS W/%
620	2741550103	GASKET, HEAD	1	
630	0110080210	FLANGE BOLT	4	
680	2741550203	ROCKER COVER	1	
690	2741600403	GASKET (ROCKET COVER)	1	
700	0310060020	DOWEL PIN	2	
710	0011406600	BOLT & WASHER ASSY.	4	
727	0566000250	CLAMP	1	
820	2741440101	BREATHER PLATE CP	1	
825	2741440503	OIL SHELTER PLATE	1	
850	2741610103	BREATHER PIPE	1	BELOW UNIT S/N G-4067
850	2741610203	BREATHER PIPE	1	UNIT S/N G-4067 & ABOVE
852	0563000020	WIRE BAND	1	
860	0011305100	BOLT & WASHER ASSY.	2	

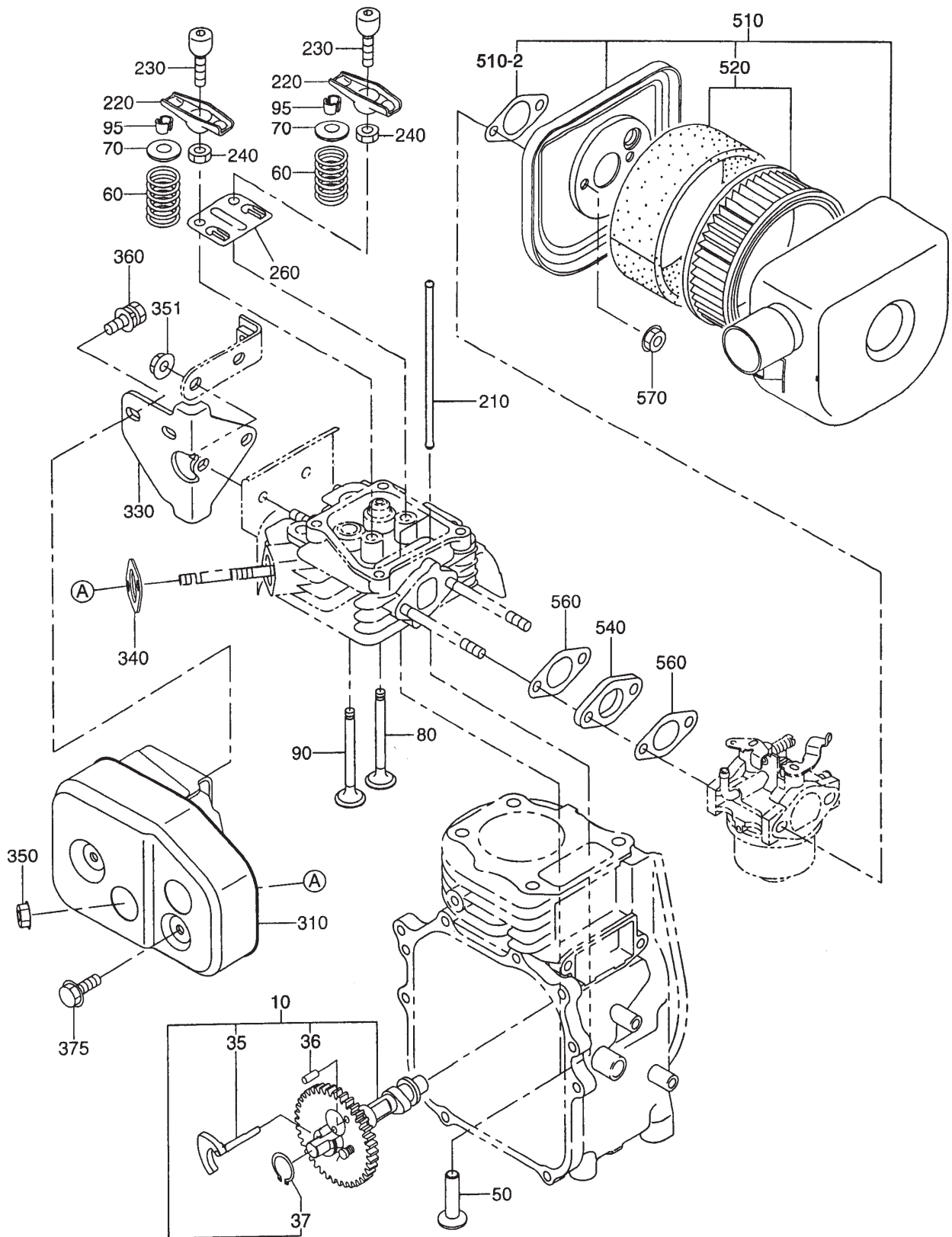
ROBIN EH09 ENGINE — CRANKSHAFT AND PISTON ASSY.



ROBIN EH09 ENGINE — CRANKSHAFT AND PISTON ASSY.

<u>NO</u>	<u>PART NO</u>	<u>PART NAME</u>	<u>QTY.</u>	<u>REMARKS</u>
10	2742010131	CRANKSHAFT CP	1	
40	0230200100	SPACER T=0.8	1	
	0230200110	SPACER T=1.0	1	
	0230200120	SPACER T=1.2	1	
50	0021812000	NUT	1	
60	030212300	SPRING WASHER	1	REPLACES 0032012000
70	0053203101	WOODRUFF KEY	1	
75	0053204201	WOODRUFF KEY	1	
170	0173120010	LOCK NUT	1	
310	2302250120	CONNECTING ROD ASSY.....	1	INCLUDES ITEMS W/%
320%	2302300123	CONNECTING ROD BOLT	2	
350	2302330103	PISTON PIN	1	
360	2742340103	PISTON	1	
	2742340203	PISTON 0.25MM	1	
	2742340303	PISTON 0.50MM	1	
370	2742350107	PISTON RING SET	1	
	2742350207	PISTON RING SET 0.25MM	1	
	2742350307	PISTON RING SET 0.50MM	1	
380	0565110010	CLIP	2	

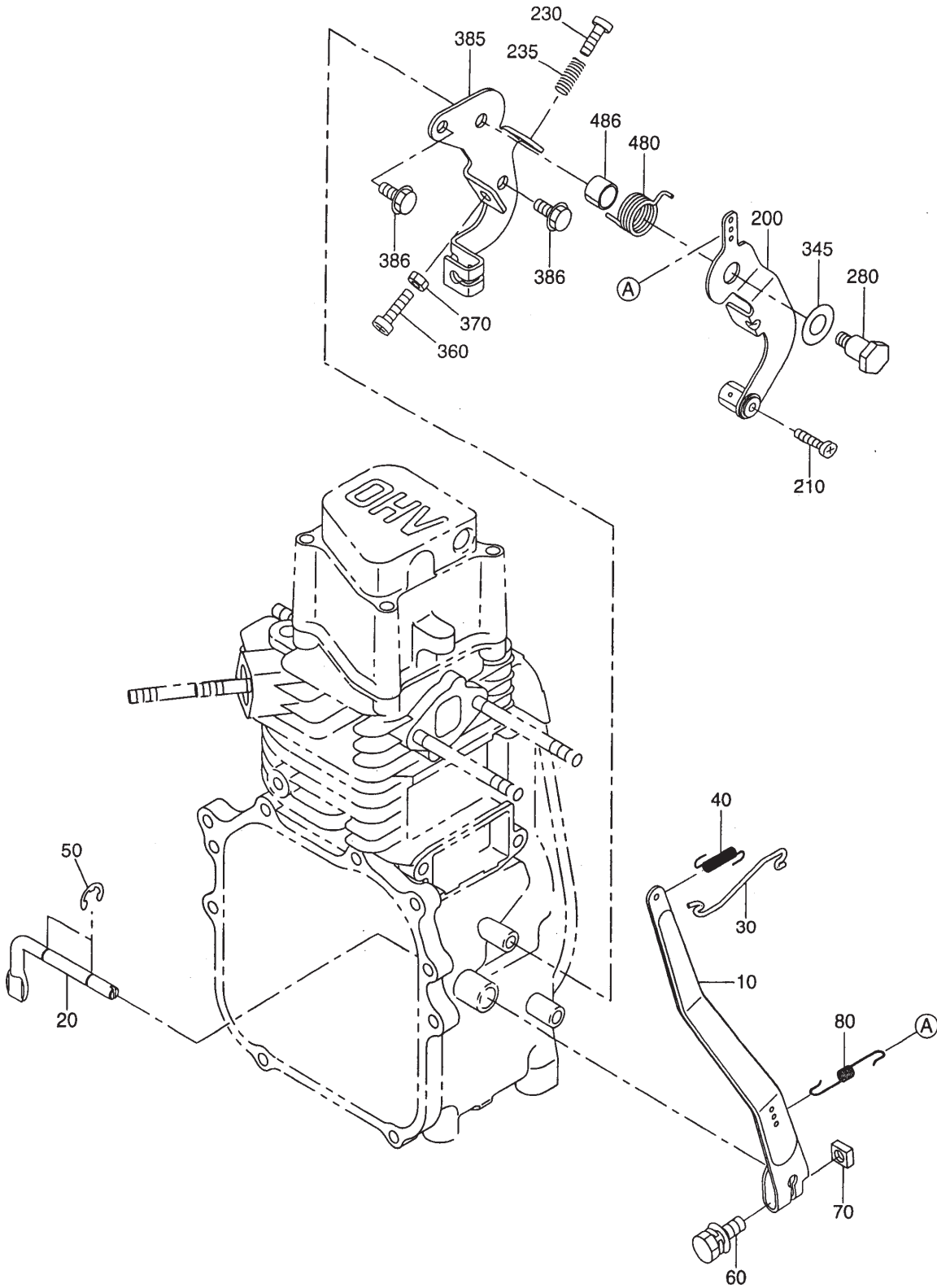
ROBIN EH09 ENGINE — INTAKE AND EXHAUST ASSY.



ROBIN EH09 ENGINE — INTAKE AND EXHAUST ASSY.

<u>NO</u>	<u>PART NO</u>	<u>PART NAME</u>	<u>QTY.</u>	<u>REMARKS</u>
10	2743170101	CAMSHAFT CP	1	INCLUDES ITEMS W/%
35%	2743640103	RELEASE LEVER	1	
36%	0051904100	SPRING PIN	1	
37	0031517000	SNAP RING	1	
50	2743330103	TAPPET	2	
60	2743360103	VALVE SPRING	2	
70	2743370103	SPRING RETAINER	2	
80	2743340103	INTAKE VALVE	1	
90	2743350103	EXHAUST VALVE	1	
95	13210KA031	COLLET VALVE	4	
210	2743530103	PUSH ROD	2	
220	2743600103	ROCKER ARM	2	
230	2693580103	BOLT (PIVOT)	2	
240	0170060090	NUT	2	
260	2743650103	GUIDE PLATE	1	
310	2743010101	MUFFLER CP	1	
330	2743700111	BRACKET CP (MUFFLER)	1	
340	2303520101	GASKET CP (EXHAUST)	1	
350	0176060030	SELF LOCK NUT	2	
351	0023706000	FLANGE NUT	2	REPLACES 0023806000
360	0011306120	BOLT AND WASHER ASSY.	2	REPLACES 0011406120
375	0110060050	FLANGE BOLT	2	REPLACES 0110060010
510	2743260100	AIR CLEANER ASSY.	1	INCLUDES ITEM W/* BELOW UNIT S/N G4067
510	2743260310	AIR CLEANER ASSY.	1	INCLUDES ITEM W/% UNIT S/N G4067 & ABOVE
510-2*%	2303262008	PACKING	1	
520*	2743261007	ELEMENT ASSY.	1	
520%	2743260307	ELEMENT ASSY.	1	UNIT S/N G4067 & ABOVE
540	2303290103	INSULATOR	1	
560	2303590203	GASKET (INSULATOR)	2	

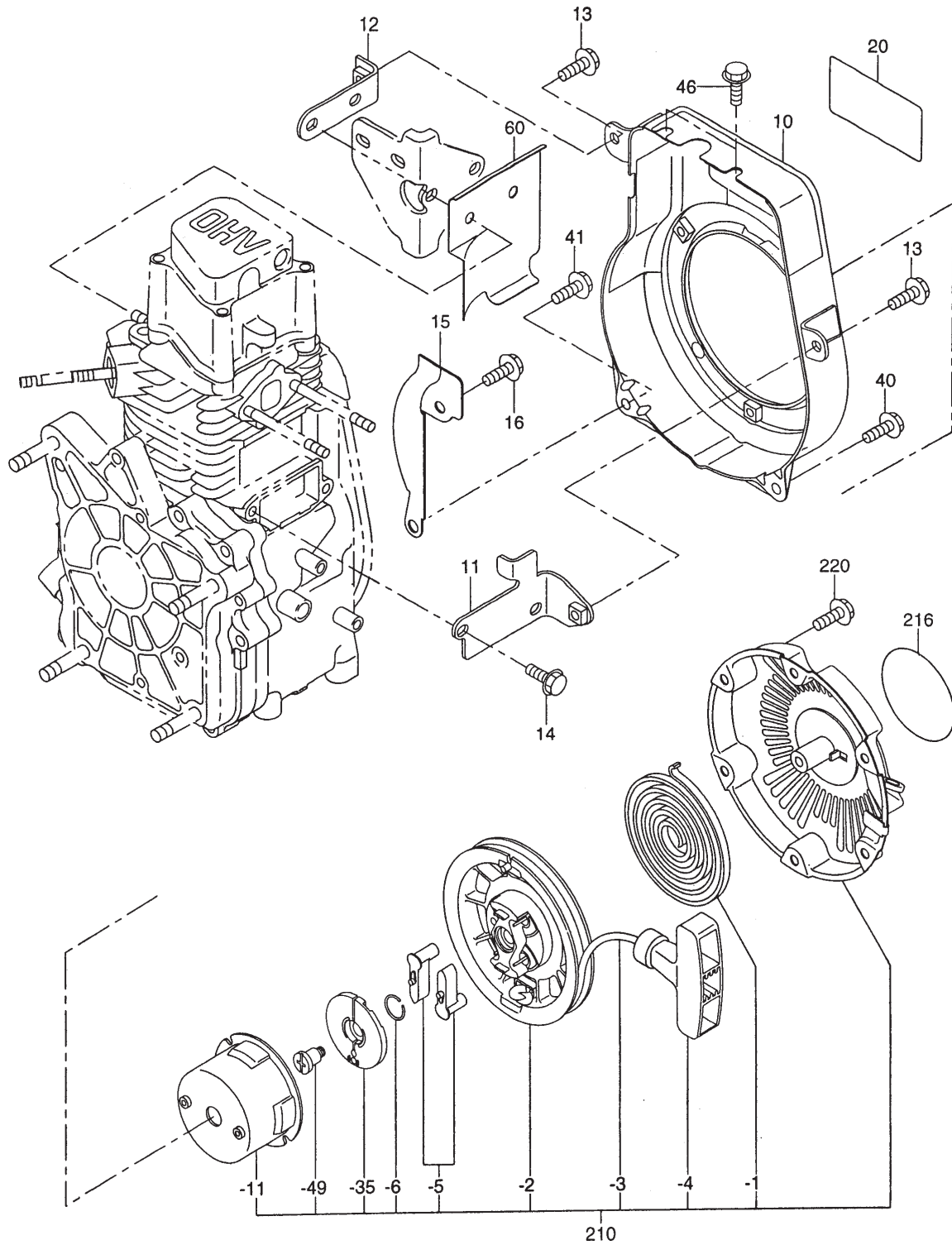
ROBIN EH09 ENGINE — GOVERNOR ASSY.



ROBIN EH09 ENGINE — GOVERNOR ASSY.

<u>NO</u>	<u>PART NO</u>	<u>PART NAME</u>	<u>QTY.</u>	<u>REMARKS</u>
10	2744230103	GOVERNOR LEVER	1	
20	2304220103	GOVERNOR SHAFT	1	
30	2744270103	GOVERNOR ROD	1	
40	1064280113	ROD SPRING	1	
50	0031305000	CLIP	2	
60	0011406250	BOLT AND WASHER ASSY.	1	
70	0186060020	NUT	1	
80	2744250103	GOVERNOR SPRING	1	
200	2304330210	SPEED CONTROL ASSY.	1	
210	0043104140	SCREW (PAN HEAD)	1	
230	0140040070	SCREW	1	
235	2054600323	CONTROL SPRING	1	
280	2264310301	LINK PIVOT CP	1	
345	0217100020	FRICTION WASHER	1	
360	0043106300	SCREW	1	
370	020106050	NUT	1 REPLACES 0022706000
385	2744510101	BASE PLATE CP	1	
386	0110060050	FLANGE BOLT	2 REPLACES 0110060010
480	2264500313	RETURN SPRING	1	
486	0230100040	SPACER	1	

ROBIN EH09 ENGINE — RECOIL STARTER ASSY.



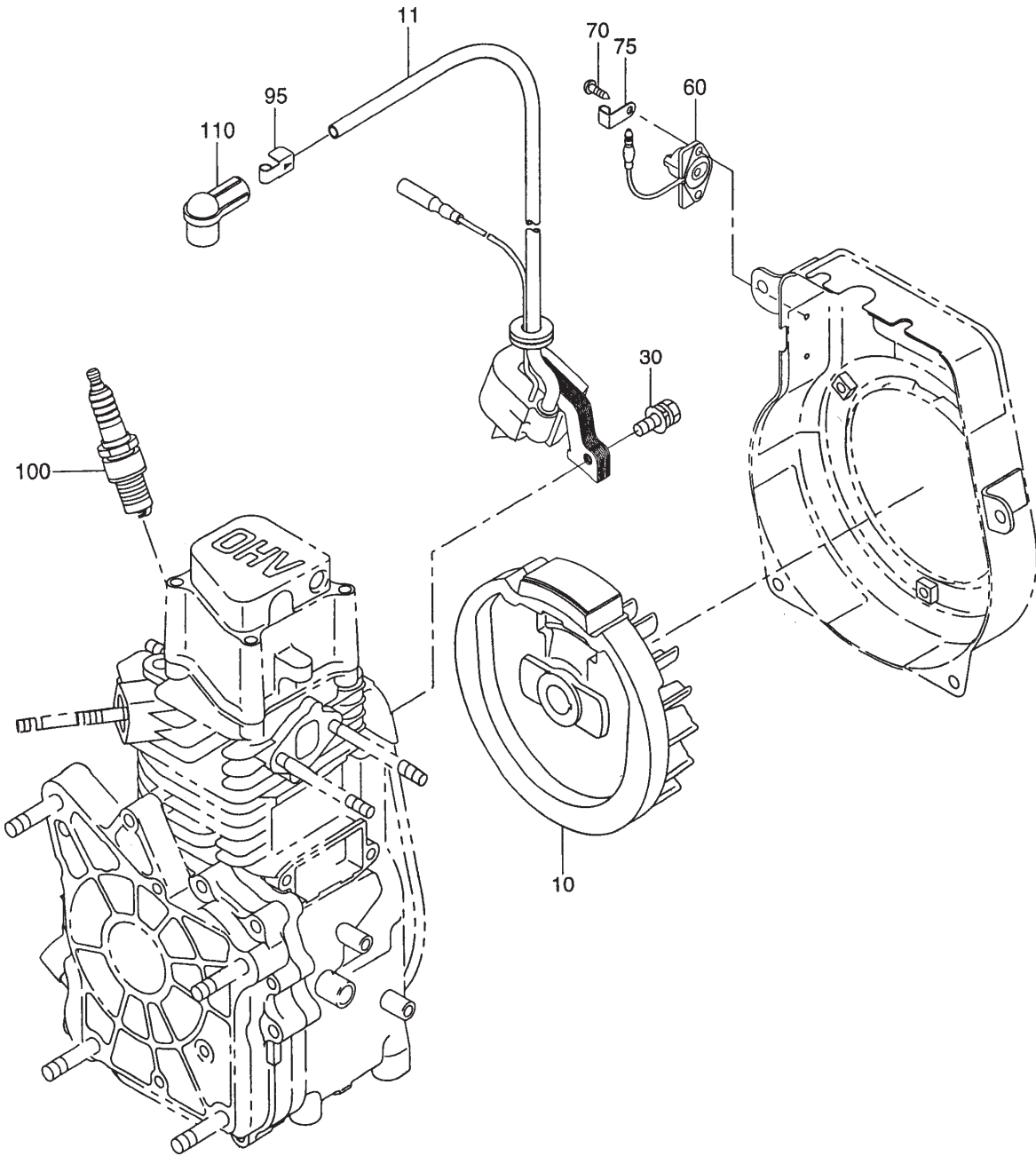
ROBIN EH09 ENGINE — RECOIL STARTER ASSY.

<u>NO</u>	<u>PART NO</u>	<u>PART NAME</u>	<u>QTY.</u>	<u>REMARKS</u>
10	2745120211	BLOWER HOUSING CP	1	
11	2745510121	BLOWER H. BKT. 1 CP	1	
12	2745520101	BLOWER H. BKT. 2 CP	1	
13	0110060020	FLANGE BOLT	2	
14	0011606140	BOLT AND WASHER ASSY.	2	
15	2745500101	BLOWER GUIDE CP	1	
16	0110060050	FLANGE BOLT	1	REPLACES 0110060010
20	2749170103	LABEL (TRADE MARK)	1	
40	0110060050	FLANGE BOLT	1	REPLACES 0110060010
41	0110060020	FLANGE BOLT	1	
46	0110060020	FLANGE BOLT	2	
60	2745260103	CYLINDER BAFFLE	1	
210	2745020100	RECOIL STARTER ASSY.	1	INCLUDES ITEM W/*
210-1*	2745011508	SPIRAL SPRING	1	
210-2*	2745012008	REEL	1	
210-3*	2745011008	STARTER ROPE	1	
210-4*	2615010008	STARTER KNOB	1	
210-5*	2705012508	RATCHET	2	
210-6*	2275013108	FRICTION SPRING	1	
210-11*	2745014508	STARTING PULLEY	1	
210-35*	2705026108	RATCHET GUIDE	1	
210-49*	2275015208	SET SCREW	1	
216	2069170103	LABEL (TRADE MARK)	1	
220	0110060020	FLANGE BOLT	3	

ROBIN EH09 ENGINE — CARBURETOR ASSY.

<u>NO</u>	<u>PART NO</u>	<u>PART NAME</u>	<u>QTY.</u>	<u>REMARKS</u>
210	2746230100	CARBURETOR ASSY.	1	INCLUDES ITEMS W/*
-1*	2746253508	THROTTLE VALVE	1	
-3*	2306252508	CHOKE VALVE	1	
-4*	2376245108	SCREW	3	
-5*	2346242108	PILOT JET	1	
-8*	2746252008	SHAFT ASSY. (CHOKE)	1	
-11*	2746253008	SHAFT ASSY. (THROTTLE)	1	
-12*	2246254308	BOLT	1	
-14*	2268250208	NEEDLE VALVE ASSY.	1	
-15*	2146251508	PIN	1	
-16*	2306255308	FLOAT CHAMBER BODY	1	
-17*	2078234508	INSERT WASHER	1	
-18*	2306254008	PACKING	1	
-19*	2306250608	FLOAT ASSY.	1	
-22*	2746240008	MAIN JET	1	
-24*	2266270118	CLIP	1	
-26*	2746235108	HOSE	1	
-28*	2246245008	SCREW	1	
-29*	2106231808	SPRING	1	
-33*	2306258108	SEAL	1	
-40*	1066239308	SCREW	1	
-41*	2066244608	SPRING	1	
-101*	2306258208	PACKING	1	
-117*	2746235008	HOSE	1	
-123*	2276240408	MAIN JET	1	

ROBIN EH09 ENGINE — ELECTRIC DEVICE ASSY.



ROBIN EH09 ENGINE — ELECTRIC DEVICE ASSY.

<u>NO</u>	<u>PART NO</u>	<u>PART NAME</u>	<u>QTY.</u>	<u>REMARKS</u>
10	2307020831	FLYWHEEL CP	1	
11	2747020101	IGNITION COIL CP	1	
30	0011706250	BOLT & WASHER ASSY.	2	
60	0660000361	SWITCH ASSY.	1	
70	0150040090	TAPPING SCREW	2	
75	0566030010	CLAMP	1	
95	0659000010	PLUG TERMINAL	1	
100	0650140460	SPARK PLUG, NGK BM6A	1	
110	2307510113	SPARK PLUG CAP	1	