

# OPERATION AND PARTS MANUAL



## **MODEL MB25A REBAR BENDER (PORTABLE ELECTRIC)**

Revision #3 (11/18/08)

THIS MANUAL MUST ACCOMPANY THE EQUIPMENT AT ALL TIMES.

# SUGGESTED SPARE PARTS

---

## MB25A REBAR BENDER

*1 to 3 Units*

Qty.	P/N	Description
2 .....	6402520 .....	HOLDER CAP
2 .....	6402510 .....	CARBON BRUSH



## MB25A — NAMEPLATE AND DECALS

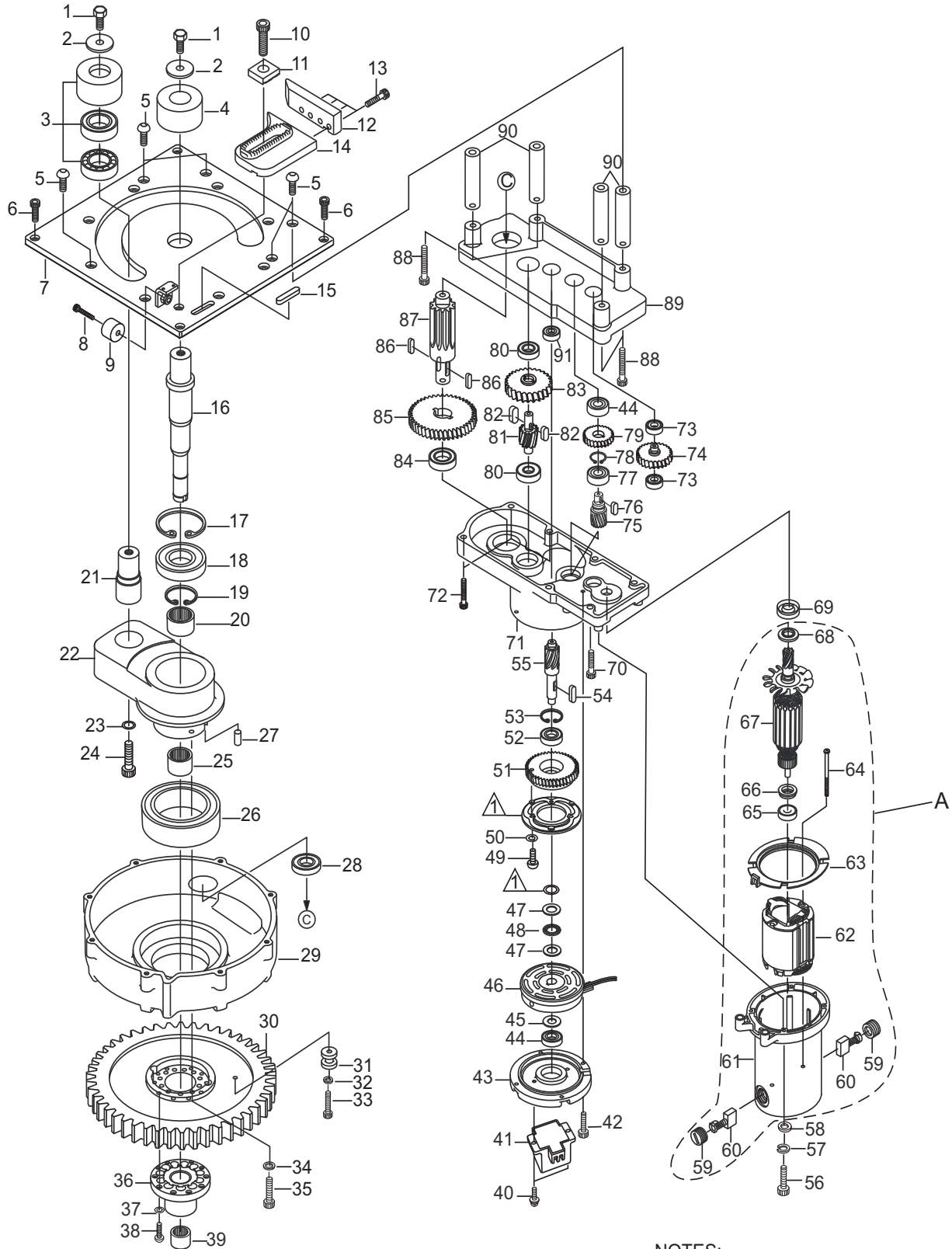
---

### NAMEPLATE AND DECALS

<u>NO.</u>	<u>PART NO.</u>	<u>PART NAME</u>	<u>QTY.</u>	<u>REMARKS</u>
1	8010780	SAFETY WARNING DECAL	1	
2		NAMEPLATE .....	1 .....	CONTACT MQ PARTS DEPT.
3	8010750	ROLLER AND COLLAR DECAL	1	
4	8005070	STOPPER INSTALLATION DECAL	2	
5	8010770	ROLLER AND COLLAR INSTALLATION DECAL	1	
6	8010760	ROLLER, COLLAR, AND TOOLS DECAL	1	

# MB25A — BENDER ASSEMBLY

## BENDER ASSEMBLY



NOTES:

▲ INCLUDED WITH ITEM 46.

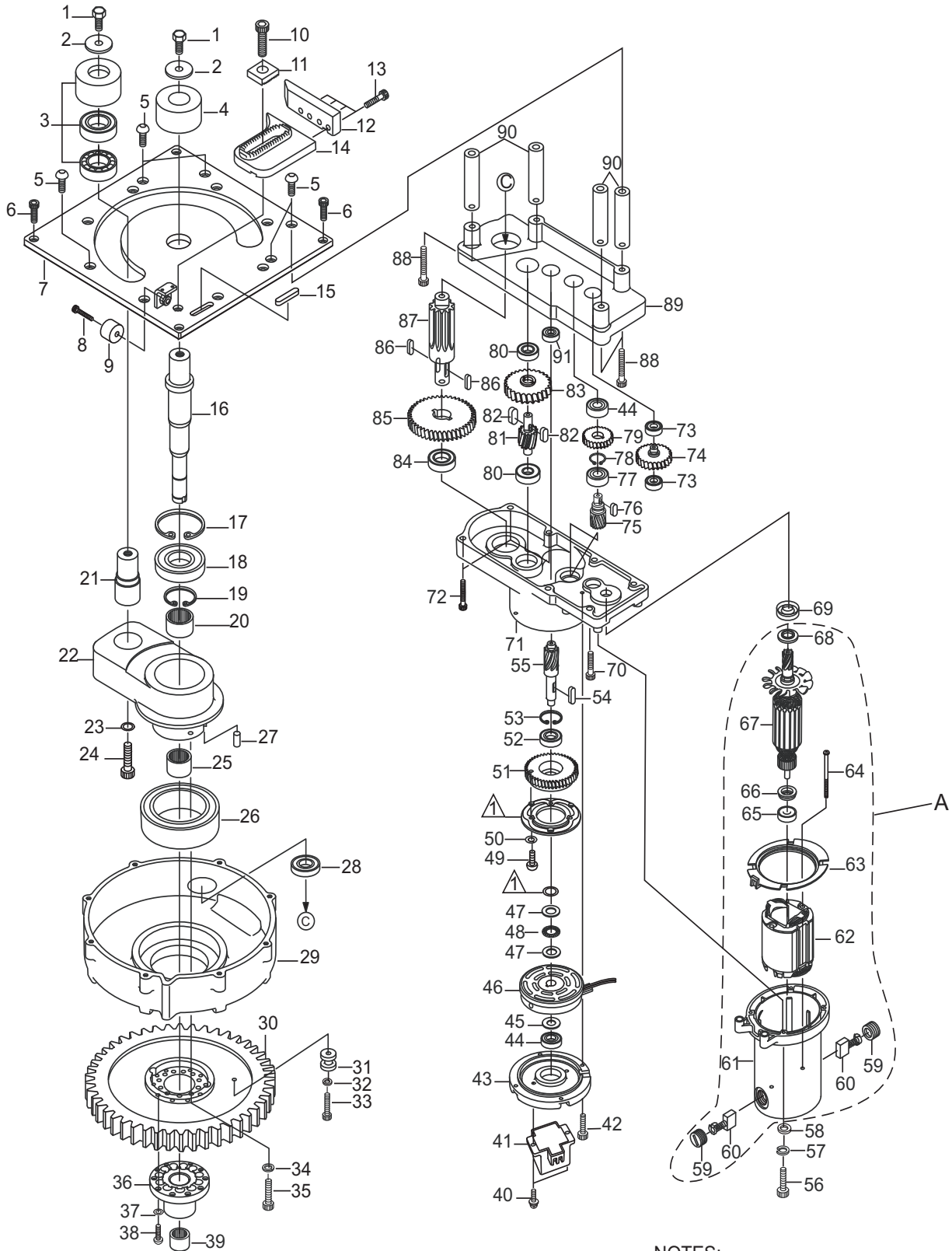
## MB25A — BENDER ASSEMBLY

### BENDER ASSEMBLY

<u>NO.</u>	<u>PART NO.</u>	<u>PART NAME</u>	<u>QTY.</u>	<u>REMARKS</u>
1	M5SB122000	HEX HEAD BOLT 12 X 20	2	
2	M5T4273800	WASHER A	2	
3	9008090	ROLLER 625	1	
3	9008080	ROLLER 622	1	
3	9008070	ROLLER 619	1	
3	9008060	ROLLER 616	1	
3	9008050	ROLLER 613	1	
3	9008040	ROLLER 610 .....	1	..... OPTIONAL
4	9008130	COLLAR 625	1	
4	9008120	COLLAR 622	1	
4	9008110	COLLAR 619	1	
4	3510370	COLLAR 616	1	
4	3510360	COLLAR 613	1	
4	3510350	COLLAR 610	1	
5	7550050	ALLEN HEAD SCREW 10X25	12	
6	7514000	ALLEN HEAD SCREW 8X15	4	
7	9009580	TABLE	1	
8	H5HB103000	ALLEN HEAD SCREW 10X30	1	
9	4500380	SHOCK ABSORBER	1	
10	M5B2050000	ALLEN HEAD BOLT 20X50	1	
11	M5T4267800	SQUARE NUT	1	
12	3502090	STOPPER PLATE	1	
13	H5HB082000	HEX HEAD SCREW 8X20	4	
14	3251620	STOPPER	1	
15	M5K1008500	STOPPER KEY	1	
16	3510260	OUTPUT SHAFT	1	
17	7410130	STOP RING RTW 100	1	
18	7103180	BEARING 6309DDU	1	
19	7411320	SNAP RING IRTW 55	1	
20	C5BTAFI385	NEEDLE BEARING HMK4530	1	
21	3510270	ROLLER SHAFT	1	
22	3510250	ARM	1	
23	7651300	WASHER, FLAT M 14	1	
24	7516200	ALLEN HEAD SCREW 14X40	1	
25	7200090	NEEDLE BEARING HMK3230	1	
26	7103190	BEARING 6218DDU	1	
27	6601090	PIN $\phi$ 13 X13	2	
28	M5B6205Z00	BEARING 6205Z	1	
29	3252160	FRAME	1	
30	3600180	GEAR WHEEL	1	

# MB25A — BENDER ASSEMBLY

## BENDER ASSEMBLY



NOTES:  
▲ INCLUDED WITH ITEM 46.

## MB25A — BENDER ASSEMBLY

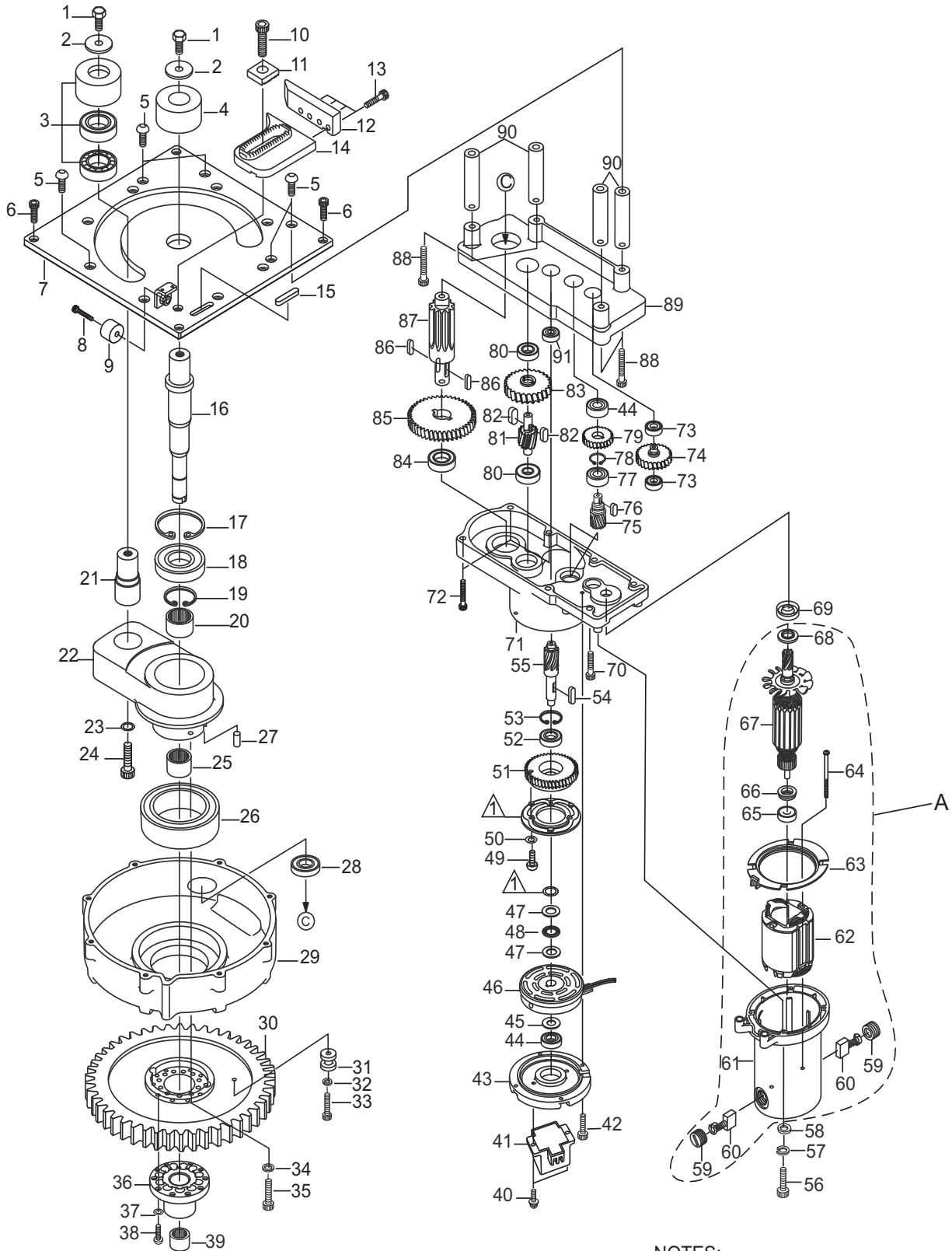
BENDER ASSEMBLY (continued)

<u>NO.</u>	<u>PART NO.</u>	<u>PART NAME</u>	<u>QTY.</u>	<u>REMARKS</u>
31	3508830	SPRING GUIDE	1	
32	C5SW0601M0	WASHER, LOCK 6	1	
33	7513070	ALLEN HEAD SCREW 6X35	1	
34	H5HW100100	WASHER HW 10	10	
35	7515050	ALLEN HEAD SCREW 10X35	10	
36	3251290	TORSION COIL COLLAR	1	
37	H6HW060100	WASHER, FLAT HW 6	10	
38	7513030	SCREW 6X18	10	
39	7200070	NEEDLE BEARING HK2526	1	
40	7539010	SCREW W/ LOCK WASHER XR 4X16	2	
41	6100060	RECTIFIER	1	
42	H6HB051500	SCREW HB 5X15	4	
43	3252220	GEAR CASE COVER	1	
44	7101040	BEARING 6002Z	2	
45	3510230	GEAR COLLAR No.6	1	
46	6100040	MAGNET CLUTCH	1	
47	7301130	THRUST NEEDLE ROLLER BEARING AS 1104	2	
48	7301120	THRUST NEEDLE ROLLER BEARING AXK 1104	1	
49	7550120	SCREW 5X12	3	
50	H6HW050100	WASHER, FLAT 5	3	
51	3601690	GEAR No. 5	1	
52	7101220	BEARING 6004ZZ	1	
53	7411040	SNAP RING RTW 42	1	
54	3701250	KEY	1	
55	3601700	GEAR No.6	1	
56	7512100	BOLT HB 5X40	4	
57	C5SW0501M0	WASHER, LOCK 5	4	
58	7600100	WASHER, FLAT 5	4	
59#	6402520	HOLDER CAP	2	
60#	6402510	CARBON BRUSH	2	
61#	6402450	MOTOR CASE	1	
62#	6402420	STATOR 115V	1	
63#	6402380	FAN GUIDE	1	
64#	6402390	SCREW 5 X80	2	
65#	7105020	BEARING	1	
66#	6402370	INSULATOR WASHER	1	
67 #	6402340	ARMATURE 115V	1	
68 #	6402320	INSULATOR WASHER FOR BEARING	1	
69	7000060	BEARING 6202VV	1	
70	M5HB102500	ALLEN HEAD SCREW 10X25	4	



# MB25A — BENDER ASSEMBLY

## BENDER ASSEMBLY



NOTES:  
▲ INCLUDED WITH ITEM 46.

## MB25A — BENDER ASSEMBLY

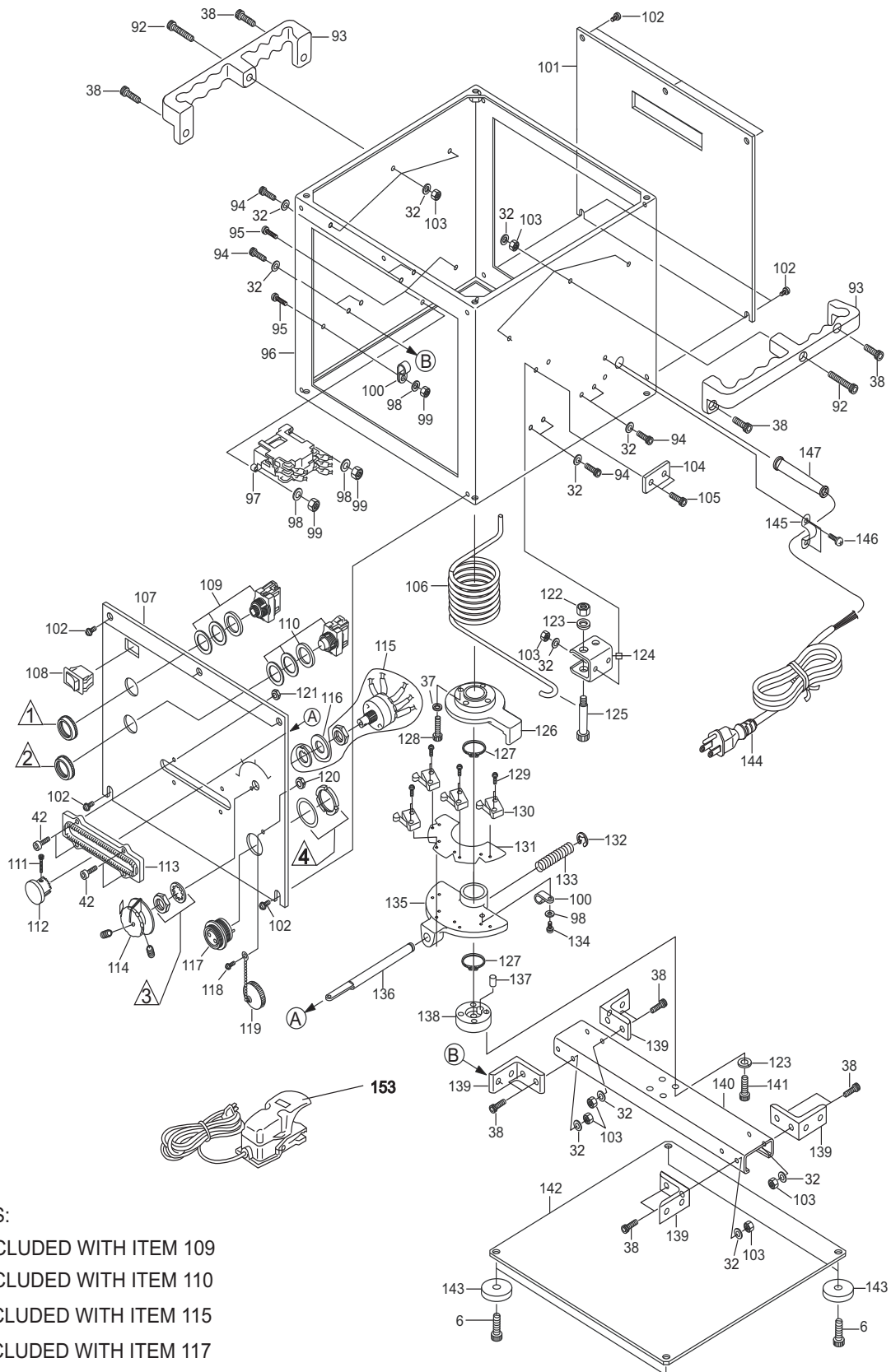
---

BENDER ASSEMBLY (continued)

<u>NO.</u>	<u>PART NO.</u>	<u>PART NAME</u>	<u>QTY.</u>	<u>REMARKS</u>
71	3252180	GEAR CASE	1	
72	7515100	ALLEN HEAD SCREW 10 X50	3	
73	7101010	BEARING 6000Z	2	
74	3601660	GEAR No.2	1	
75	3601680	GEAR No.4	1	
76	C5T4230800	KEY D	1	
77	7101340	BEARING 6003VV	1	
78	7410100	SNAP RING STW 17	1	
79	3601670	GEAR No.3	1	
80	7101080	BEARING 6004Z	2	
81	3601720	GEAR No.8	1	
82	3701600	KEY FOR GEAR No.8	2	
83	3601710	GEAR No.7	1	
84	M5B6006Z00	BEARING 6006Z	1	
85	3601730	GEAR No.9	1	
86	3701200	KEY FOR SHAFT WITH GEAR	2	
87	3600530	SHAFT GEAR	1	
88	7515110	ALLEN HEAD SCREW 10X60	4	
89	3252170	GEAR BASE	1	
90	3508860	GEAR BASE PIN	4	
91	7102030	BEARING 6202Z	1	
A	6014110	MOTOR 115V .....	1	INCLUDES ITEMS W/ #

# MB25A — HOUSING ASSEMBLY

## HOUSING ASSEMBLY



**NOTES:**

- ▲1 INCLUDED WITH ITEM 109
- ▲2 INCLUDED WITH ITEM 110
- ▲3 INCLUDED WITH ITEM 115
- ▲4 INCLUDED WITH ITEM 117

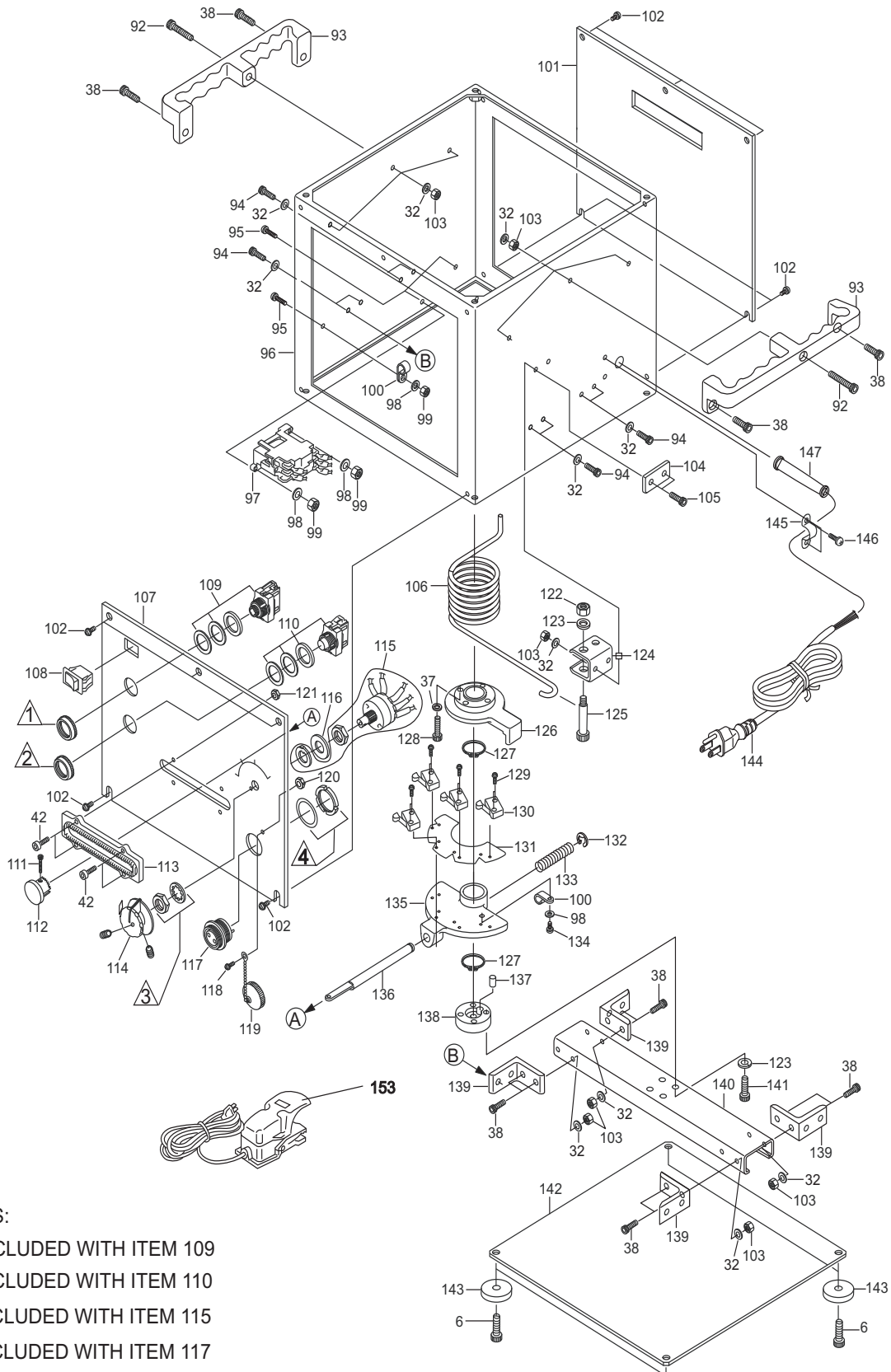
## MB25A — HOUSING ASSEMBLY

### HOUSING ASSEMBLY

<u>NO.</u>	<u>PART NO.</u>	<u>PART NAME</u>	<u>QTY.</u>	<u>REMARKS</u>
6	7514000	ALLEN HEAD SCREW 8X15	4	
32	C5SW0601M0	WASHER, LOCK 6	24	
37	H6HW060100	WASHER, FLAT 6	4	
38	7513030	ALLEN HEAD SCREW 6X18	12	
42	H6HB051500	ALLEN HEAD SCREW 5X15	4	
92	7513120	ALLEN HEAD SCREW 6 X60	2	
93	3250440	HANDLE	2	
94	7513010	ALLEN HEAD SCREW 6X2	8	
95	7538190	BOLT W/SPRING WASHER XR 4 X 20	3	
96	3000140	FRAME HOUSING	1	
97	6200160	MAGNET SWITCH	1	
98	7600010	WASHER, FLAT 4	4	
99	7700030	HEX NUT 4	3	
100	6101350	NYLON CLAMP	2	
101	3301460	PANEL B	1	
102	7538090	SCREW W/ LOCK WASHER XR 5 X 10	10	
103	7700050	HEX NUT 6	16	
104	3300610	OUTSIDE BRACKET, TORSION COIL	1	
105	H6HB062000	ALLEN HEAD SCREW 6 X 20	2	
106	4007570	TORSION COIL SPRING	1	
107	3301480	PANEL A	1	
108	6200770	POWER SWITCH	1	
109	6200230	START SWITCH	1	
110	6200240	EMERGENCY STOP SWITCH	1	
111	7511030	SET SCREW 4 X 20	1	
112	3503590	ANGLE ADJUSTING KNOB	1	
113	3250600	ANGLE ADJUSTING PLATE	1	
114	6101060	ANGLE SELECT DIAL	1	
115	6200170	ROTARY SWITCH	1	
116	7600050	WASHER, FLAT 10	1	
117	6101280	FOOT SWITCH CONNECTOR F	1	
118	7538000	SCREW W/ LOCK WASHER XR 3 X8	1	
119	6101290	FOOT SWITCH CONNECTOR CAP	1	
120	M5NM030100	HEX NUT 3	1	
121	7556020	HEX NUT 5X0.9	4	
122	M5NM080100	HEX NUT 8	1	
123	C5SW0801M0	WASHER, FLAT 8	5	
124	3510220	INSIDE BRACKET, TORSION COIL	1	
125	7551020	ALLEN HEAD SCREW 10X40	1	
126	3251270	CARRIER	1	
127	M5SNR25S00	SNAP RING STW 25	2	
128	7513050	ALLEN HEAD SCREW 6X25	4	
129	7538020	SCREW W/ LOCK WASHER XR 3X18	8	
130	6200190	MICRO SWITCH	4	
131	4600100	MICRO SWITCH HOLDER PLATE	1	

# MB25A — HOUSING ASSEMBLY

## HOUSING ASSEMBLY



**NOTES:**

- △ INCLUDED WITH ITEM 109
- △ INCLUDED WITH ITEM 110
- △ INCLUDED WITH ITEM 115
- △ INCLUDED WITH ITEM 117

## MB25A — HOUSING ASSEMBLY

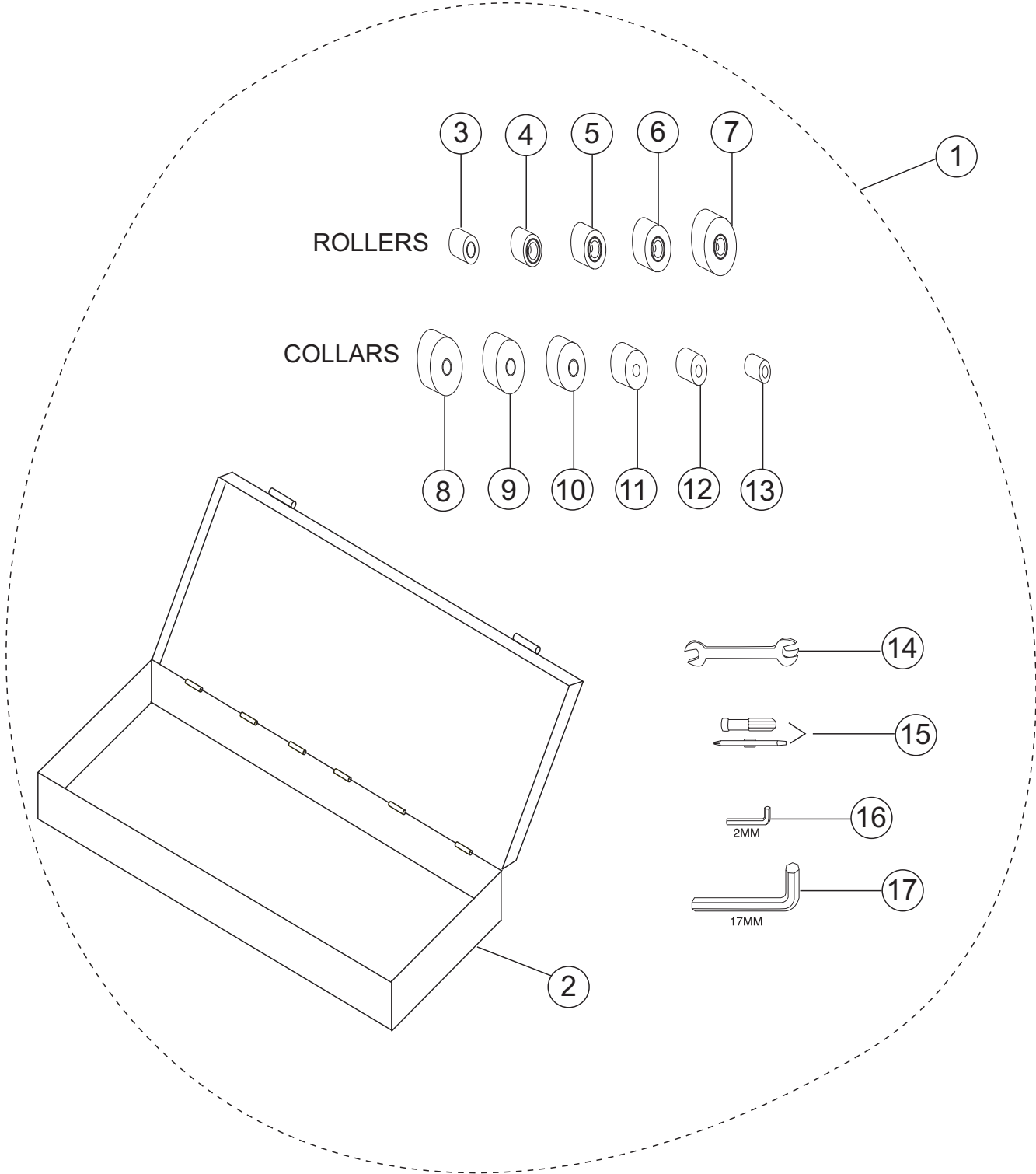
---

### HOUSING ASSEMBLY (continued)

<u>NO.</u>	<u>PART NO.</u>	<u>PART NAME</u>	<u>QTY.</u>	<u>REMARKS</u>
132	7410080	SNAP RING ETW 8	1	
133	4007030	COIL SPRING	1	
134	7532010	SCREW 4X8	1	
135	3251280	MICRO SWITCH BASE	1	
136	3501960	ANGLE ADJUSTING STICK	1	
137	6601060	PIN $\varnothing$ 10 X10	1	
138	3510290	FIXED COLLAR	1	
139	3510200	OUTPUT SHAFT GUIDE BRACKET	4	
140	3510280	OUTPUT SHAFT GUIDE	1	
141	7514140	ALLEN HEAD SCREW 8X18	4	
142	3301470	BOTTOM PLATE	1	
143	3503420	COLLAR FOR END PLATE	4	
144	6301010	CORD WITH PLUG	1	
145	6600030	CLAMP, CABLE	1	
146	7538030	SCREW W/ LOCK WASHER XR 4X6	2	
147	C5Y8411000	STRAIN RELIEF, CABLE	1	
153	9002120	FOOT SWITCH ASSEMBLY	1	

# MB25A — TOOL BOX AND TOOLS ASSEMBLY

## TOOL BOX AND TOOLS ASSEMBLY



## **MB25A — TOOL BOX AND TOOLS ASSEMBLY**

---

### TOOL BOX AND TOOLS ASSEMBLY

<u>NO.</u>	<u>PART NO.</u>	<u>PART NAME</u>	<u>QTY.</u>	<u>REMARKS</u>
1	9020120	TOOL BOX ASSY .....	1 .....	INCLUDES ITEMS W/ *
2*	8103050	TOOL BOX	1	
3*	9008090	ROLLER 625 (WITH BEARING)	1	
4*	9008080	ROLLER 622 (WITH BEARING)	1	
5*	9008070	ROLLER 619 (WITH BEARING)	1	
6*	9008060	ROLLER 616 (WITH BEARING)	1	
7*	9008050	ROLLER 613 (WITH BEARING)	1	
8*	9008130	COLLAR 625 (WITH BUSHING)	1	
9*	9008120	COLLAR 622 (WITH BUSHING)	1	
10*	9008110	COLLAR 619 (WITH BUSHING)	1	
11*	3510370	COLLAR 616	1	
12*	3510360	COLLAR 613	1	
13*	3510350	COLLAR 610	1	
14*	8201020	OPEN END WRENCH 17 X19 MM	1	
15*	8201510	SCREWDRIVER	1	
16*	8200020	ALLEN WRENCH M2	1	
17*	8200120	ALLEN WRENCH M17	1	



# MB25A — WIRING DIAGRAM

