

# OPERATION AND PARTS MANUAL



## **MODEL HBC19A MODEL HBC25A REBAR CUTTER (PORTABLE ELECTRIC)**

Revision #4 (03/30/09)

THIS MANUAL MUST ACCOMPANY THE EQUIPMENT AT ALL TIMES.

# TABLE OF CONTENTS

---

## **HBC19A/HBC25A REBAR CUTTER**

Table of Contents .....	2
Parts Ordering Procedures .....	3
Safety .....	4
Rules and Regulations .....	5-6
Specifications .....	7
General Information .....	8
Components .....	9
Operation .....	10-11
Maintenance .....	12-13
Explanation of Codes in Remarks Column .....	14
Suggested Spare Parts .....	15

## **COMPONENT DRAWINGS**

Nameplate and Decals .....	16-17
HBC19A Rebar Cutter Assembly .....	18-21
HBC25A Rebar Cutter Assembly .....	22-25
Tools .....	26-27
Wiring Diagram .....	28
Terms and Conditions Of Sale — Parts .....	29

# SUGGESTED SPARE PARTS

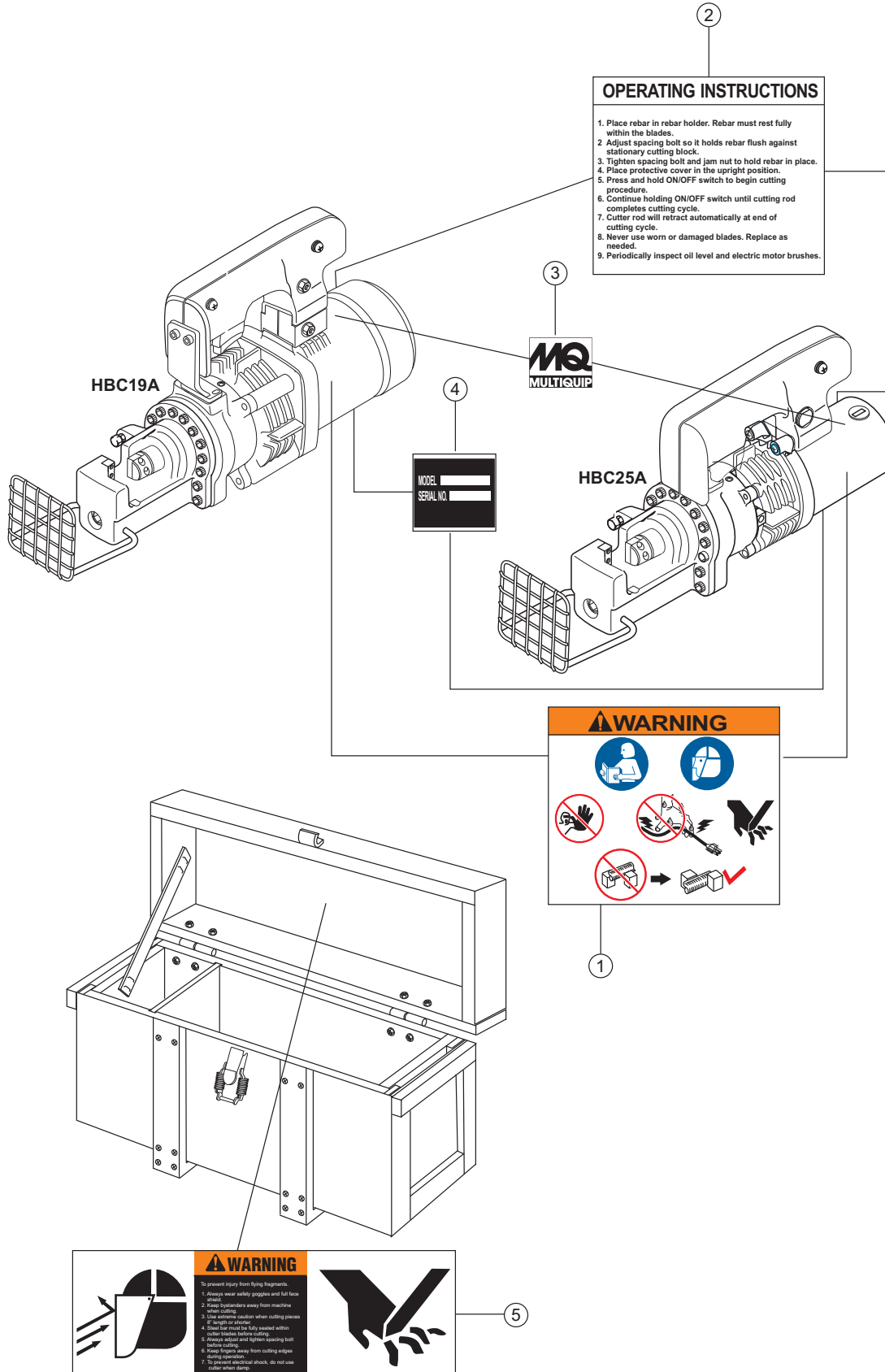
---

## HBC19A/25A REBAR CUTTER

*1 to 3 Units*

Qty.	P/N	Description
2	6415710 .....	BRUSH CAP (FOR HBC19A)
2	6402520 .....	BRUSH CAP (FOR HBC25A)
2	6415730 .....	CARBON BRUSH (FOR HBC19A)
2	6402510 .....	CARBON BRUSH (FOR HBC25A)
2	H9T4495400 .....	BLADE, SET OF 2 (FOR HBC19A)
2	H9T4495500 .....	BLADE, SET OF 2 (FOR HBC25A)

# HBC19A/HBC25A — NAMEPLATE AND DECALS

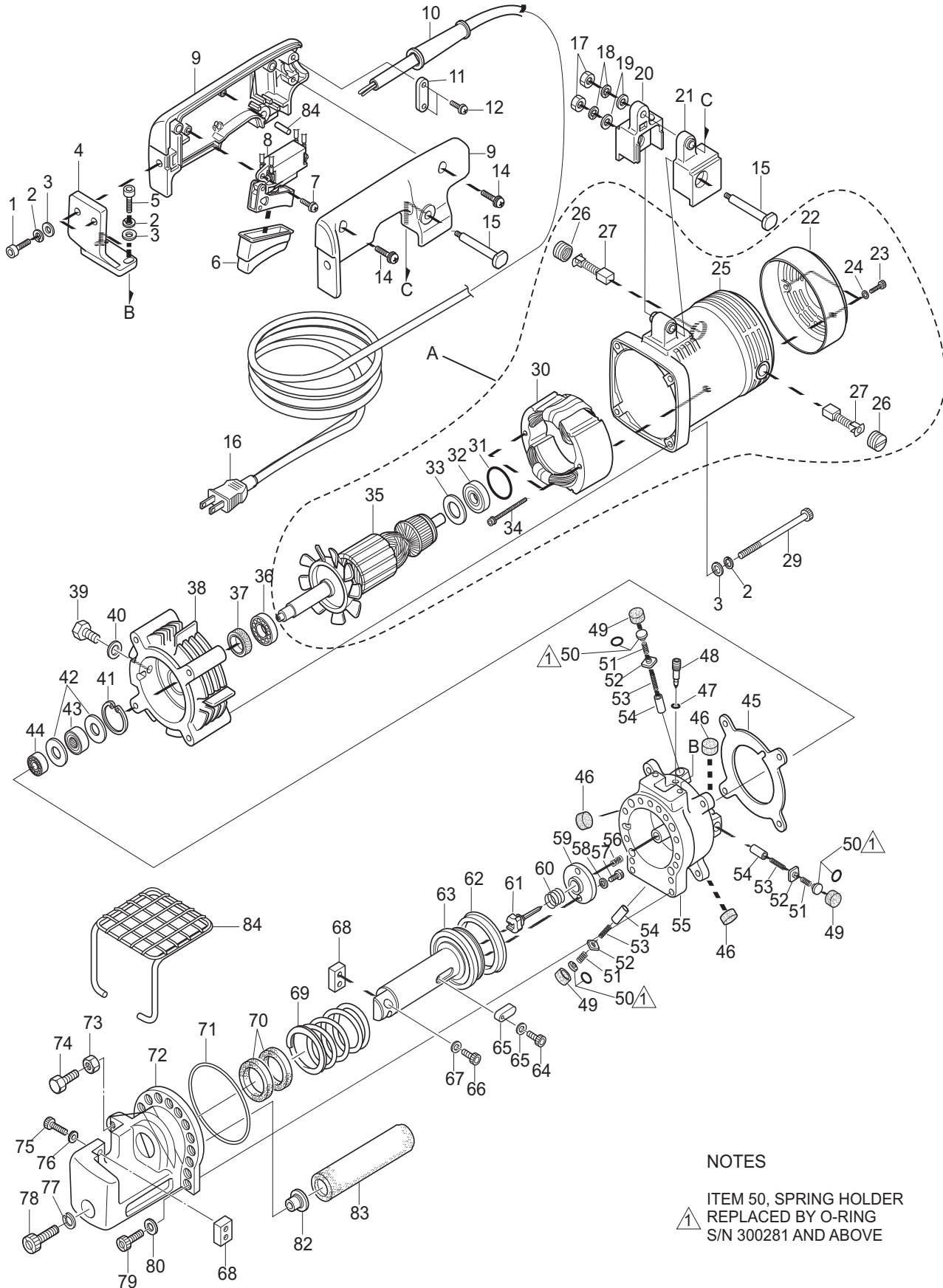


## HBC19A/HBC25A — NAMEPLATE AND DECALS

---

<u>NO.</u>	<u>PART NO.</u>	<u>PART NAME</u>	<u>QTY.</u>	<u>REMARKS</u>
1	8006660	SAFETY WARNING DECAL	1	
2	8006670	OPERATING INSTRUCTIONS DECAL	1	
3	8006680	MQ LOGO	1	
4		NAMEPLATE .....	1	..... CONTACT MQ PARTS DEPT.
5	8001180	BOX WARNING DECAL	1	

# HBC19A — REBAR CUTTER ASSEMBLY



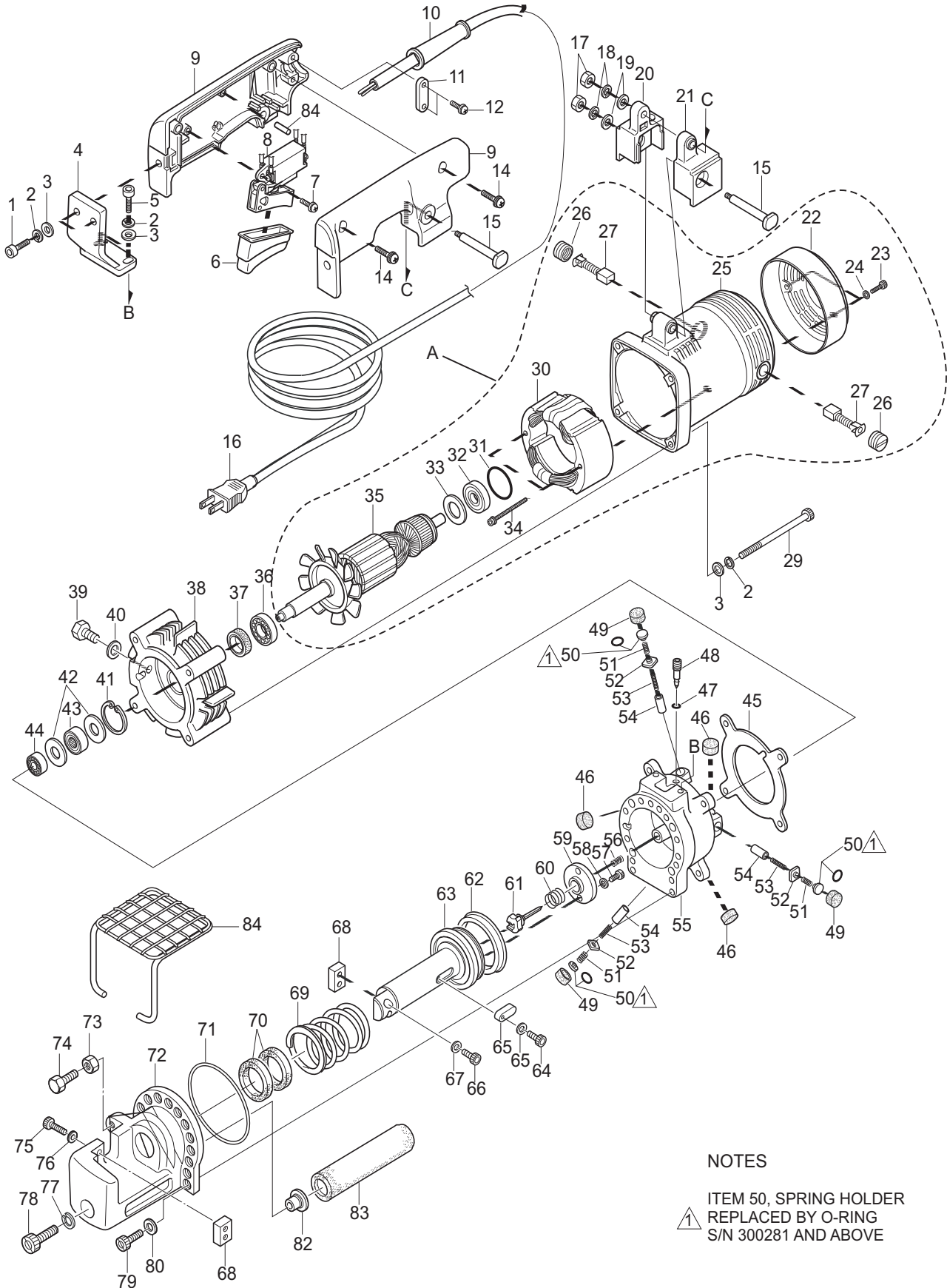
## NOTES

- ITEM 50, SPRING HOLDER  
REPLACED BY O-RING  
S/N 300281 AND ABOVE

## HBC19A — REBAR CUTTER ASSEMBLY

<u>NO.</u>	<u>PART NO.</u>	<u>PART NAME</u>	<u>QTY.</u>	<u>REMARKS</u>
1	7513090	BOLT HB6 X 22	2	
2	030208200	SPRING WASHER SW6 .....	8	REPLACES H9SW060100
3	7600030	WASHER WM6	8	
4	4500720	HANDLE BRACKET A	1	
5	H9HB062000	BOLT HB6 X 20	2	
6	6415810	DUST COVER	1	
7	6415820	PAN-HEAD SCREW M4 x 16	1	
8	6415880	SWITCH	1	
9	6415750	HANDLE SET (PAIR) .....	1	SET OF 2 (LEFT AND RIGHT)
10	6415910	STRAIN RELIER 10	1	
11	6415930	CORD CLAMP WASHER	1	
12	6415830	PAN-HEAD SCREW M4 x 18WR	2	
14	6415840	PAN-HEAD SCREW M5 X 25	2	
15	6415010	HANDLE SHAFT	2	
16	6301430	ELECTRIC SUPPLY CORD	1	
17	6415040	NUT M6	2	
18	6415030	SPRING WASHER 6	2	
19	6415020	WASHER 6	2	
20	4500730	HANDLE BRACKET R	1	
21	4500740	HANDLE BRACKET L	1	
22#	6415800	HALF OPEN COVER	1	
23#	6415860	BOLT M5 X 16	2	
24#	6415870	SPRING WASHER 5	2	
25#	6415740	MOTOR HOUSING SET	1	
26#	6415710	BRUSH CAP	2	
27#	6415730	CARBON BRUSH 155 (SET)	1	
29	7513160	BOLT HB6 X 85	4	
30#	6415510	STATOR 115V	1	
31#	6415770	O-RING 30	1	
32#	6415760	BALL BEARING 6200DDW	1	
33#	6415940	WASHER	1	
34#	6415790	BOLT M5 X 55	2	
35#	6415610	ARMATURE 115V	1	
36	H9B6202RU0	BEARING 6202RU	1	
37	H9MHS15257	OIL SEAL MHS15257	1	
38	3214000	PUMP CASE	1	
39	H9SB101500	BOLT SB 10 X 15 (DRAINING/REFILLING)	1	
40	H9SEALW100	SEAL WASHER (DRAINING/REFILLING)	1	
41	7411070	STOP RING H28 (RTW28)	1	
42	H9T4344700	NEEDLE HOLDER	2	
43	H9B12410A0	NEEDLE BEARING	1	
44	H9B6080000	BEARING 608	1	
45	4601570	LINER B	1	
46	H9T4344800	MAGNET	3	
47	6505300	O-RING S-4	1	

# HBC19A — REBAR CUTTER ASSEMBLY

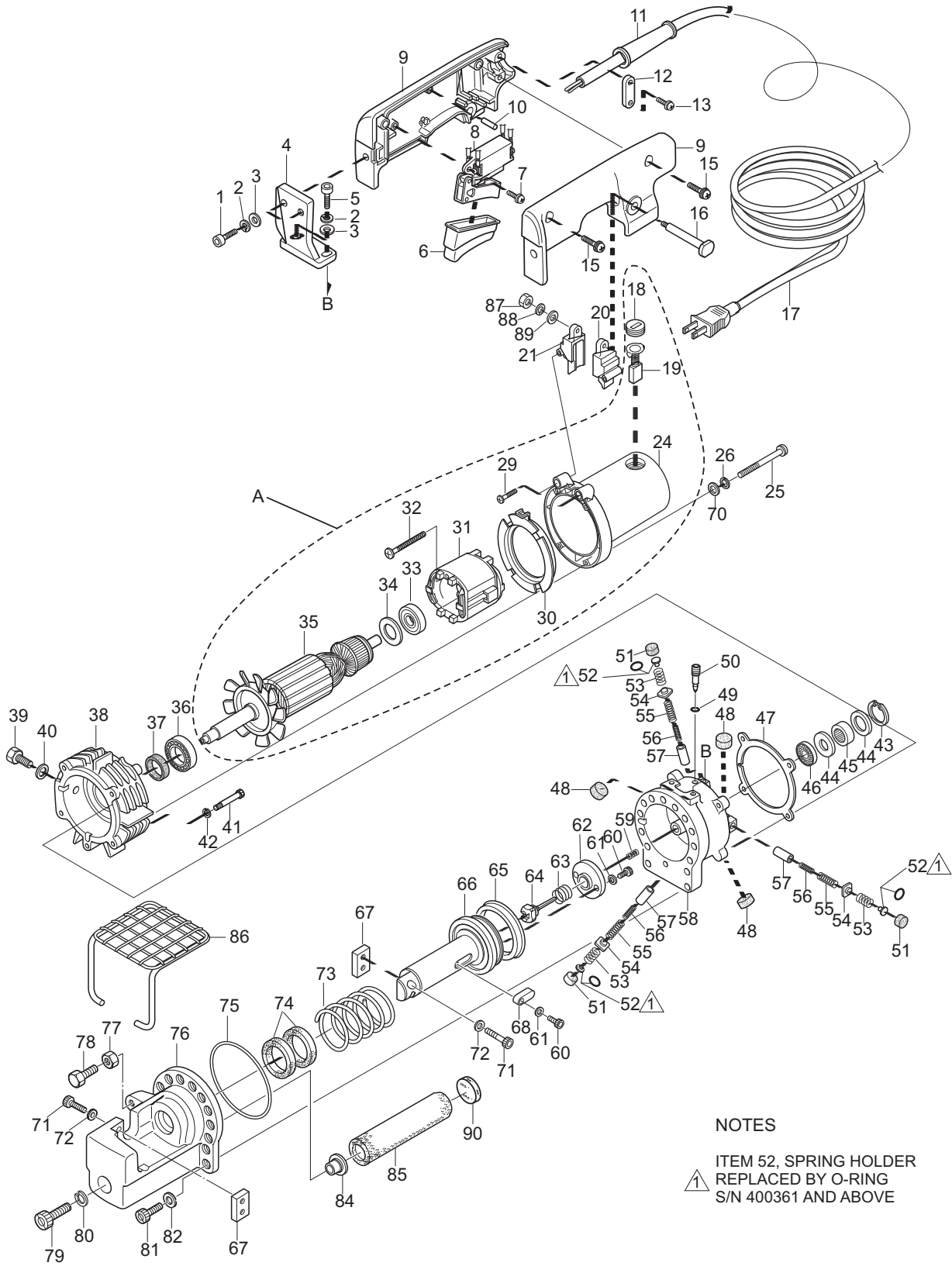




## HBC19A — REBAR CUTTER ASSEMBLY

<u>NO.</u>	<u>PART NO.</u>	<u>PART NAME</u>	<u>QTY.</u>	<u>REMARKS</u>
48	3501420	RETURN VALVE	1	
49	H9T4424800	URETHANE RUBBER PACKING .....	3	S/N 300280 AND BELOW
49	4500530	PACKING .....	3	S/N 300281 AND ABOVE
50	H9T43446N1	SPRING HOLDER .....	3	S/N 300280 AND BELOW
50	6505590	O-RING .....	3	S/N 300281 AND ABOVE
51	H9T43449N1	CHECK VALVE SPRING	3	
52	H9T4344500	CHECK VALVE	3	
53	H9T4345000	PISTON RETURN SPRING	3	
54	3500350	PISTON	3	
55	3200940	CYLINDER .....	1	S/N 300280 AND BELOW
55	3200940A	CYLINDER .....	1	S/N 300281 AND ABOVE
56	H9T43679N1	RELEASE VALVE SPRING	1	
57	H9HB040600	BOLT HB4 X 6	2	
58	H9HW040100	WASHER HW4	3	
59	H9T4367700	STOPPER PLATE	1	
60	4005050	VALVE RETURN SPRING	1	
61	H9T44078N2	RELEASE VALVE	1	
62	H9USI00200	PACKING	1	
63	H9T44061N1	CUTTER ROD	1	
64	7511010	BOLT HB4 X 8	1	
65	H9T43898N1	CUTTER ROD KEY	1	
66\$	H9HB051500	BOLT HB5 X15 (BLADE-CUTTER ROD)	2	
67\$	H9HW050000	WASHER HW5	2	
68	H9T4495400	BLADE (SET OF 2) .....	1	INCLUDES ITEMS W/ \$
69	H9T4389700	CUTTER ROD RETURN SPRING	1	
70	H9USH00100	ROD SEAL PACKING	2	
71	6505700	O-RING S-95	1	
72	3100240	BAR HOLDER	1	
73	H9NM1201M0	NUT NM12-1 (SPACING BOLT)	1	
74	H9T43902N1	SPACING BOLT	1	
75\$	7513030	BOLT HB6 X 18 (BLADE-BAR HOLDER)	2	
76\$	H9HW060100	WASHER HW6 (BLADE-BAR HOLDER)	2	
77	H6SW100100	WASHER SW10	1	
78	H9T4390100	BOLT (OIL LEVELER SACK)	1	
79	H9HB082500	BOLT HB8 X 25 (BAR HOLDER)	14	
80	H9HW080100	WASHER HW8	14	
82	H9T4390000	BUSHING	1	
83	H9T43899N1	OIL LEVELER SACK	1	
84	3505510	PROTECTIVE COVER	1	
A	6013530	MOTOR ASSEMBLY .....	1	INCLUDES ITEMS W/ #

# HBC25A — REBAR CUTTER ASSEMBLY



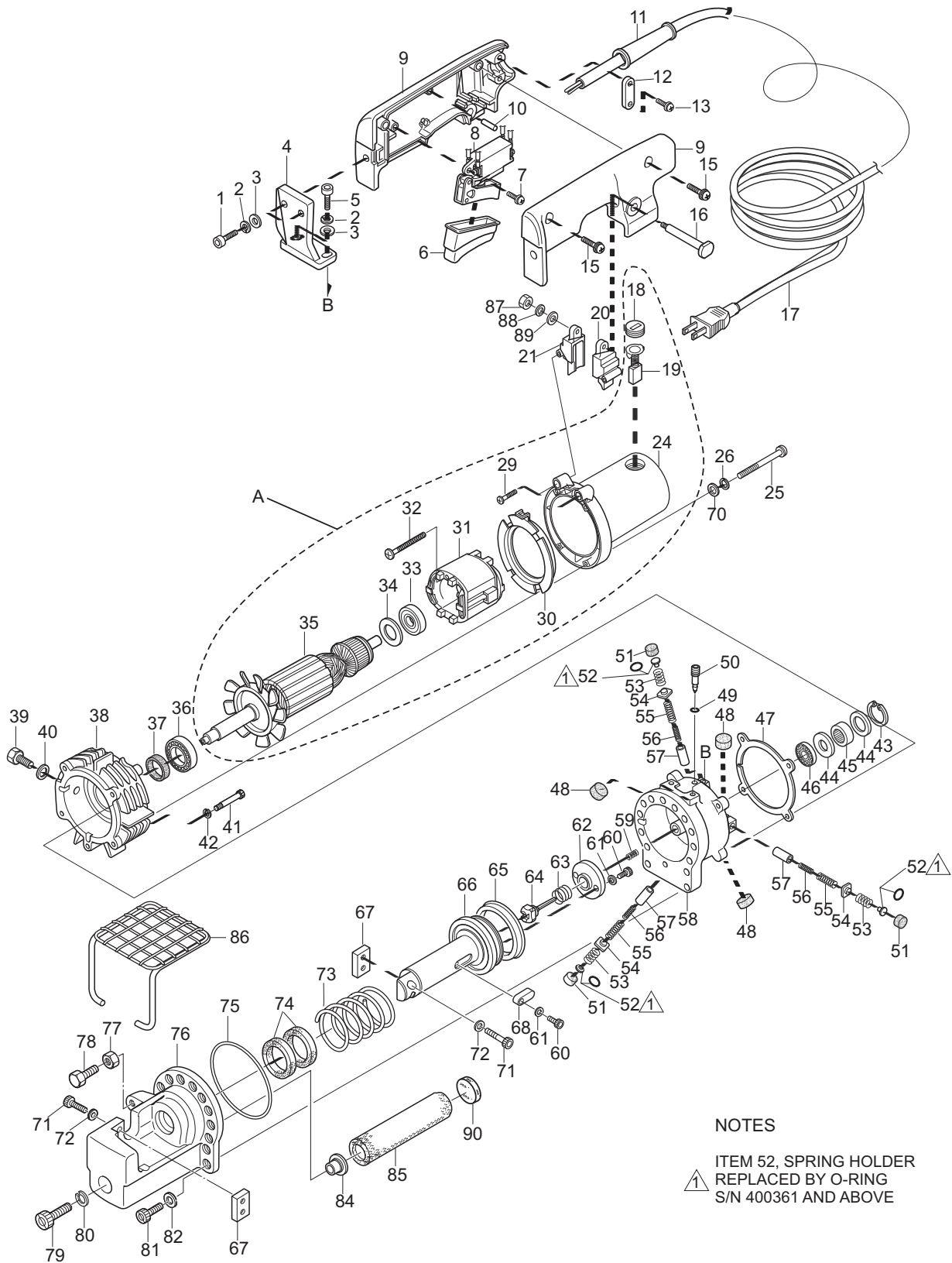
## NOTES

- ▲ ITEM 52, SPRING HOLDER  
REPLACED BY O-RING  
S/N 400361 AND ABOVE

## HBC25A — REBAR CUTTER ASSEMBLY

<u>NO.</u>	<u>PART NO.</u>	<u>PART NAME</u>	<u>QTY.</u>	<u>REMARKS</u>
1	7513090	BOLT HB6 X 22	2	
2	H9SW06100	SPRING WASHER SW6	4	
3	7600030	WASHER WM6	4	
4	4500750	HANDLE BRACKET A	1	
5	H6HB062000	BOLT HB6 X 20	2	
6	6415810	DUST COVER	1	
7	6415820	PAN-HEAD SCREW M4 X 16	1	
8	6415880	SWITCH	1	
9	6415750	HANDLE SET (PAIR) .....	1	..... SET OF 2 (LEFT AND RIGHT)
10	6400770	RUBBER PIN	2	
11	6415910	STRAIN RELIER 10	1	
12	6415930	CORD CLAMP WASHER	1	
13	6415830	PAN-HEAD SCREW M4 X 18WR	2	
15	6415840	PAN-HEAD SCREW M5 X 25	2	
16	6415010	HANDLE SHAFT	1	
17	6301430	ELECTRIC SUPPLY CORD	1	
18#	6402520	BRUSH CAP	1	
19#	6402510	CARBON BRUSH	1	
20	4500760	HANDLE BRACKET (R)	1	
21	4500770	HANDLE BRACKET (L)	1	
24#	6402450	MOTOR HOUSING SET	1	
25	7512100	BOLT HB5 X 40	4	
26	7610030	SPRING WASHER SW5	4	
29#	7539080	BOLT M6 X 30	2	
30#	6402380	MOTOR FLANGE	1	
31#	6402420	STATOR 115V	1	
32#	6402390	BOLT M5 X 80	1	
33#	7105020	BALL BEARING	1	
34#	6402320	WASHER	1	
35#	6402610	ARMATURE 115V	1	
36	H5B60032RC	BEARING 6003 2RS	1	
37	6504170	OIL SEAL MHS17287	1	
38	3210810	PUMP CASE	1	
39	H6SB101500	BOLT SB10 X 15 (DRAINING/REFILLING)	1	
40	H9SEALW100	SEAL WASHER (DRAINING/REFILLING)	1	
41	7513110	BOLT HB6 X 55	4	
42	H6HW060100	WASHER HW6	4	
43	H5RTW30000	STOP RING H30 (RTW30)	1	
44	H5T4438500	NEEDLE HOLDER	2	
45	H9B12410A0	NEEDLE BEARING	1	
46	H9B6080000	BEARING 608	1	
47	4601590	LINER B	1	
48	H9T4344800	MAGNET	3	
49	6505300	O-RING S-4	1	

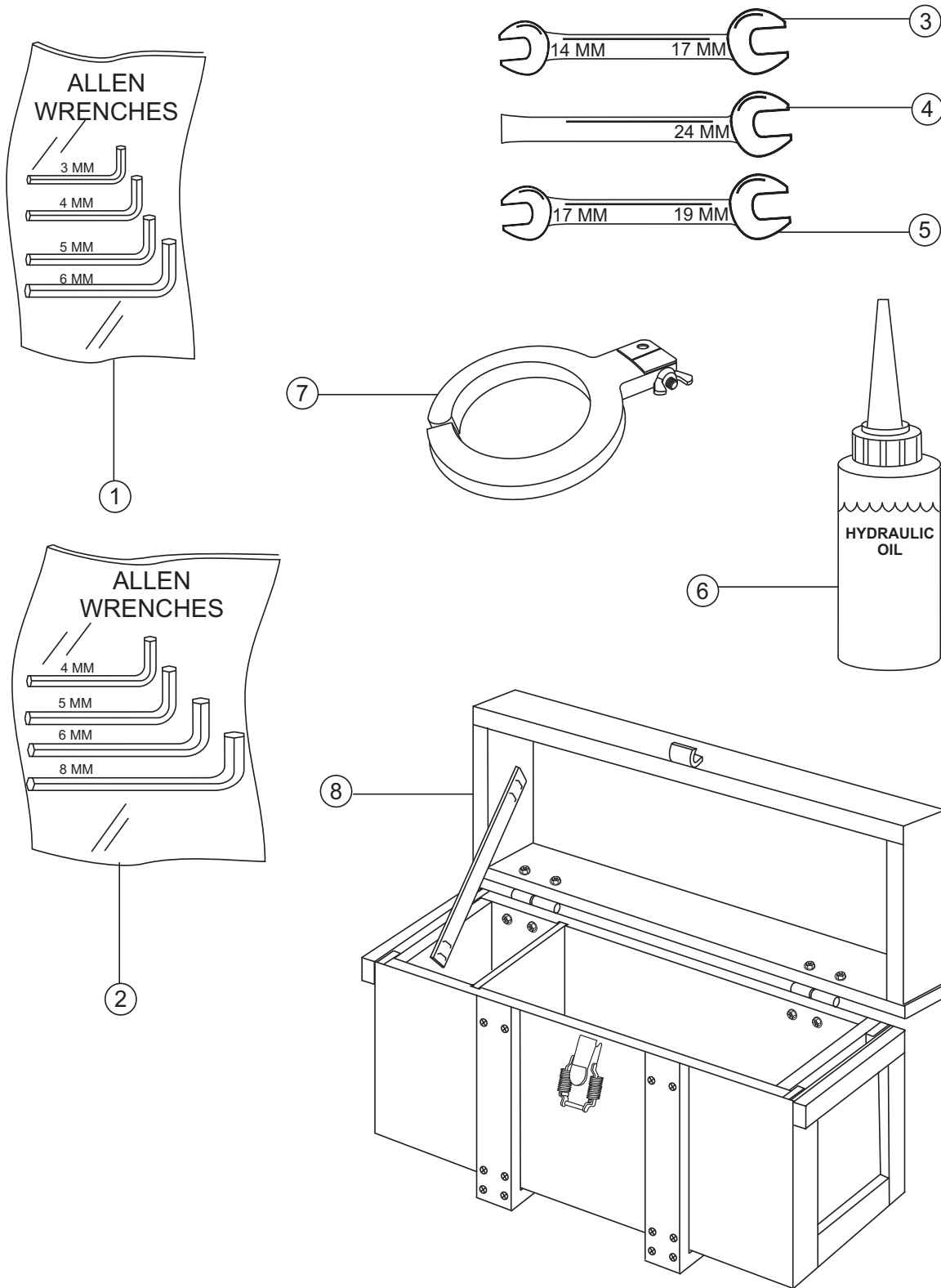
# HBC25A — REBAR CUTTER ASSEMBLY



## HBC25A — REBAR CUTTER ASSEMBLY

<u>NO.</u>	<u>PART NO.</u>	<u>PART NAME</u>	<u>QTY.</u>	<u>REMARKS</u>
50	3501420	RETURN VALVE	1	
51	H9T4424800	URETHANE RUBBER PACKING .....	3	S/N 400360 AND BELOW
51	4500530	PACKING .....	3	S/N 400361 AND ABOVE
52	H9T43446N1	SPRING HOLDER .....	3	S/N 400360 AND BELOW
52	6505590	O-RING .....	3	S/N 400361 AND ABOVE
53	H9T43449N1	CHECK VALVE SPRING	3	
54	H5T4438400	CHECK VALVE	3	
55	H5T4506600	PISTON RETURN SPRING A	3	
56	H5T4506700	PISTON RETURN SPRING B	3	
57	H5T4438300	PISTON	3	
58	3201320	CYLINDER .....	1	S/N 400360 AND BELOW
58	3201320A	CYLINDER .....	1	S/N 400361 AND ABOVE
59	H5T4420300	RELEASE VALVE SPRING	1	
60	H5HB051000	BOLT HB5 X10	3	
61	H5HW050100	WASHER HW5	3	
62	H5T4419600	STOPPER PLATE	1	
63	H5T44195N1	VALVE RETURN SPRING	1	
64	H5T44201N2	RELEASE VALVE	1	
65	H5USI00200	PACKING	1	
66	H5T31153N2	CUTTER ROD D40	1	
67	H5T4495500	SP BLADE (SET OF 2) .....	1	INCLUDES ITEMS W/ \$
68	H5T44194N1	CUTTER ROD KEY	1	
70	7600020	WASHER WM5	4	
71\$	H5HB062000	BOLT HB8 X 20	4	
72\$	H5HW080100	WASHER HW8	4	
73	H5T4419800	CUTTER ROD RETURN SPRING	1	
74	H5USH15257	ROD SEAL PACKING	2	
75	6505240	O-RING (S115)	1	
76	3100500	BAR HOLDER	1	
77	7700070	NUT NM16	1	
78	H5T44200N1	SPACING BOLT	1	
79	H9T4390100	BOLT (OIL LEVELER SACK)	1	
80	H6SW100100	WASHER SW10	1	
81	7515040	BOLT HB10 X 30	14	
82	H5HW100100	WASHER HW10	14	
84	H9T4390000	BUSHING	1	
85	9004920	OIL LEVELER SACK	1	
86	3505520	PROTECTIVE COVER	1	
87	6415040	NUT M6	1	
88	6415030	SPRING WASHER 6	1	
89	6415020	WASHER 6	1	
90	4500540	SHIELD .....	1	S/N 400301 AND ABOVE
A	6014150	MOTOR ASSEMBLY .....	1	INCLUDES ITEMS W/ #

# HBC19A/HBC25A — TOOLS



## HBC19A/HBC25A — TOOLS

---

<u>NO.</u>	<u>PART NO.</u>	<u>PART NAME</u>	<u>QTY.</u>	<u>REMARKS</u>
1		ALLEN WRENCH SET, HBC19A .....	1 .....	REPLACE LOCALLY
2		ALLEN WRENCH SET, HBC25A .....	1 .....	REPLACE LOCALLY
3	8201010	OPEN WRENCH (14mm X17mm), HBC25A	1	
4	8201070	OPEN WRENCH (24mm), HBC25A	1	
5	8201020	OPEN WRENCH (17mm X19mm), HBC19A	1	
6		HYDRAULIC OIL W/ OILER (150 ml), HBC19A ..	1 .....	SUPPLIED WITH UNIT
6	H9OILIS046	HYDRAULIC OIL W/ OILER (1 liter), HBC19A ....	1 .....	REPLACEMENT PART
6		HYDRAULIC OIL W/ OILER (150 ml), HBC25A ..	1 .....	SUPPLIED WITH UNIT
6	H5OILIS032	HYDRAULIC OIL W/ OILER (1 liter), HBC25A ....	1 .....	REPLACEMENT PART
7	H9J2387000	CYLINDER RING (TOOL), HBC19A .....	1 .....	NOT PROVIDED W/ UNIT
7	9004040	CYLINDER RING (TOOL), HBC25A .....	1 .....	NOT PROVIDED W/ UNIT
8	8101050	WOODEN BOX, HBC25A	1	
8	8101060	WOODEN BOX, HBC19A	1	