

PARTS MANUAL



GloBug SERIES GB3LEDC LIGHTING SYSTEM SERIAL NO. G4400001 AND ABOVE

Revision #2 (10/12/21)



c

THIS MANUAL MUST ACCOMPANY THE EQUIPMENT AT ALL TIMES.

GB3LEDC LIGHTING SYSTEM

Explanation Of Code In Remarks Column.....	4
Suggested Spare Parts	5

Component Drawings

Nameplate And Decals.....	6-7
Electrical Assembly	8-11
Frame 1 Assembly	12-13
Frame 2 Assembly	14-15
Mast Assembly	16-17

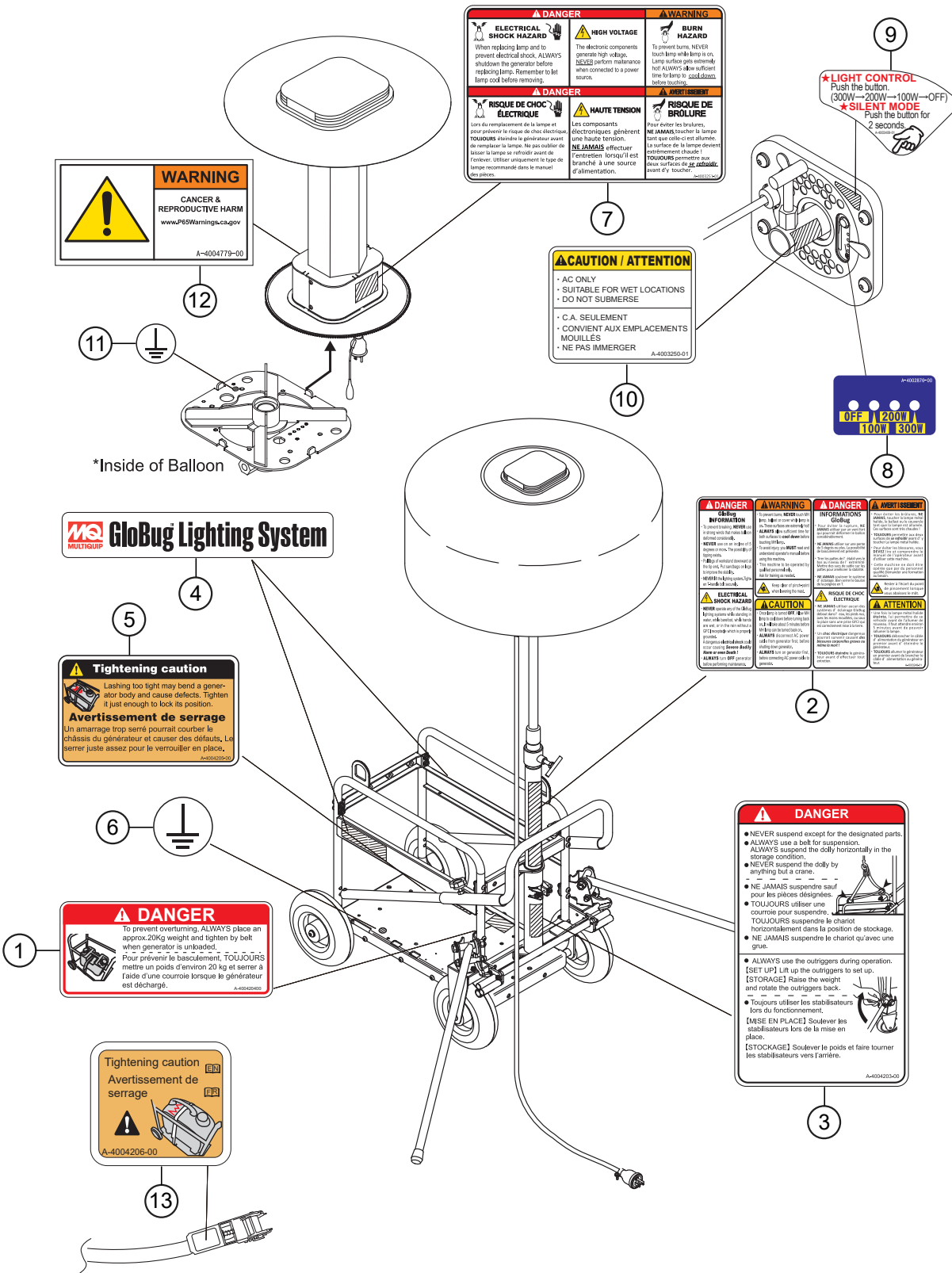
SUGGESTED SPARE PARTS

GB3LEDC GLOBUG LIGHTING SYSTEM

1 TO 3 UNITS

Qty.	P/N	Description
3.....	A300260402	LED HEATSINK ASSY
2.....	E000076400	BALLOON CLOTH

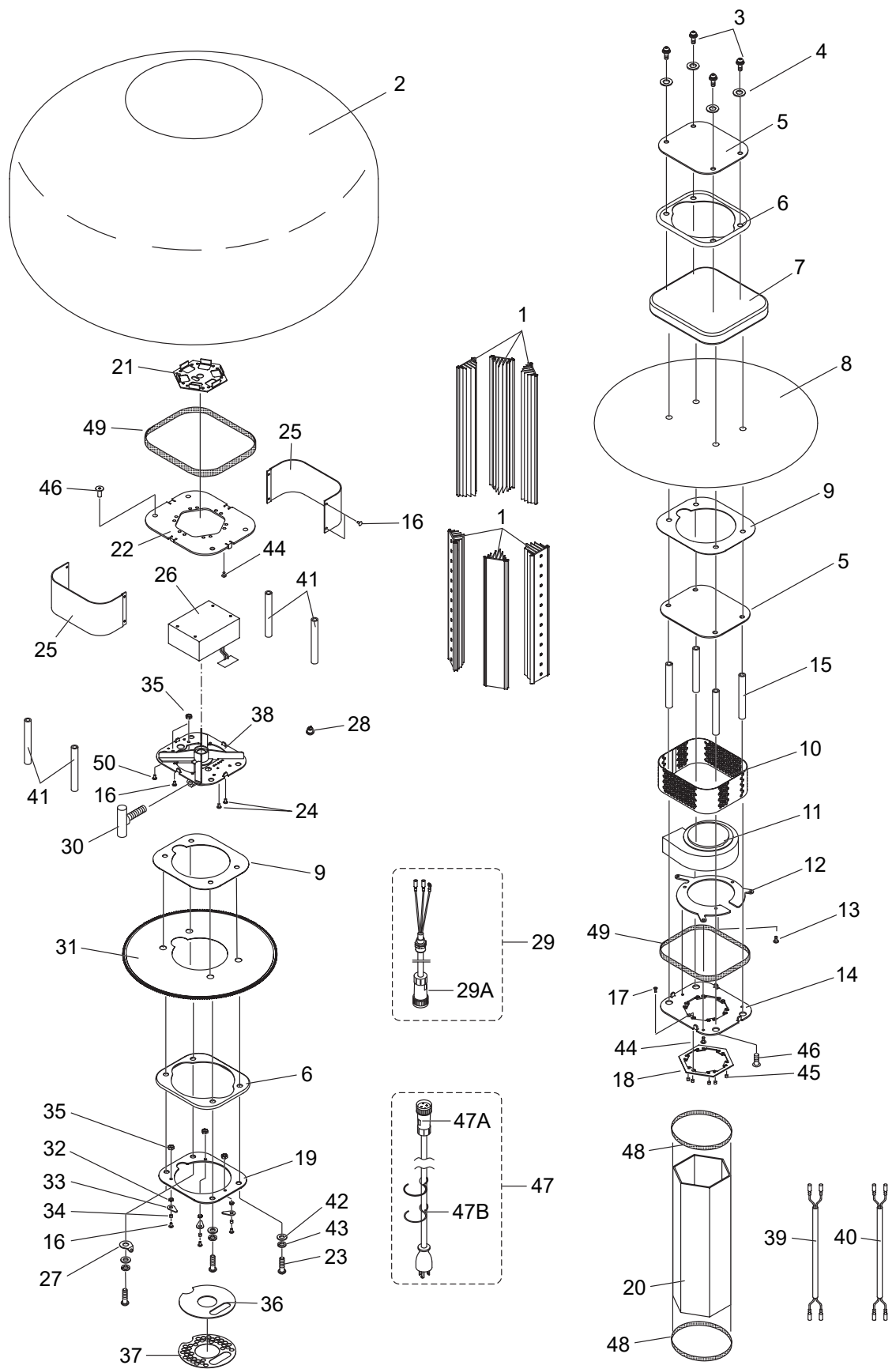
NAMEPLATE AND DECALS



NAMEPLATE AND DECALS

<u>NO.</u>	<u>PART NO.</u>	<u>PART NAME</u>	<u>QTY.</u>	<u>REMARKS</u>
1	A400420400	DECAL; WEIGHT	1	
2	A400324801	DECAL; GLOBUG INFORMATION	1	
3	A400420300	DECAL; DANGER	1	
4	A400194900	DECAL; GB3LEDC GLOBUG	2	
5	A400420500	DECAL; TIGHTENING CAUTION	1	
6	A400457300	DECAL; EARTH/GROUND	1	
7	A400325101	DECAL; ELECTRIC SHOCK, HIGH VOLTAGE, BURN HAZ.	1	
8	A400287600	DECAL; DIMMER SWITCH LEDS	1	
9	A400340901	DECAL; SWITCH	1	
10	A400325001	DECAL; CAUTION: BALLOON INFORMATION	1	
11	A400372800	DECAL; EARTH/GROUND	1	
12	A400477900	DECAL; WARNING: CALIFORNIA-P65	1	
13	A400420600	DECAL; CAUTION: LATCHING BELT	1	

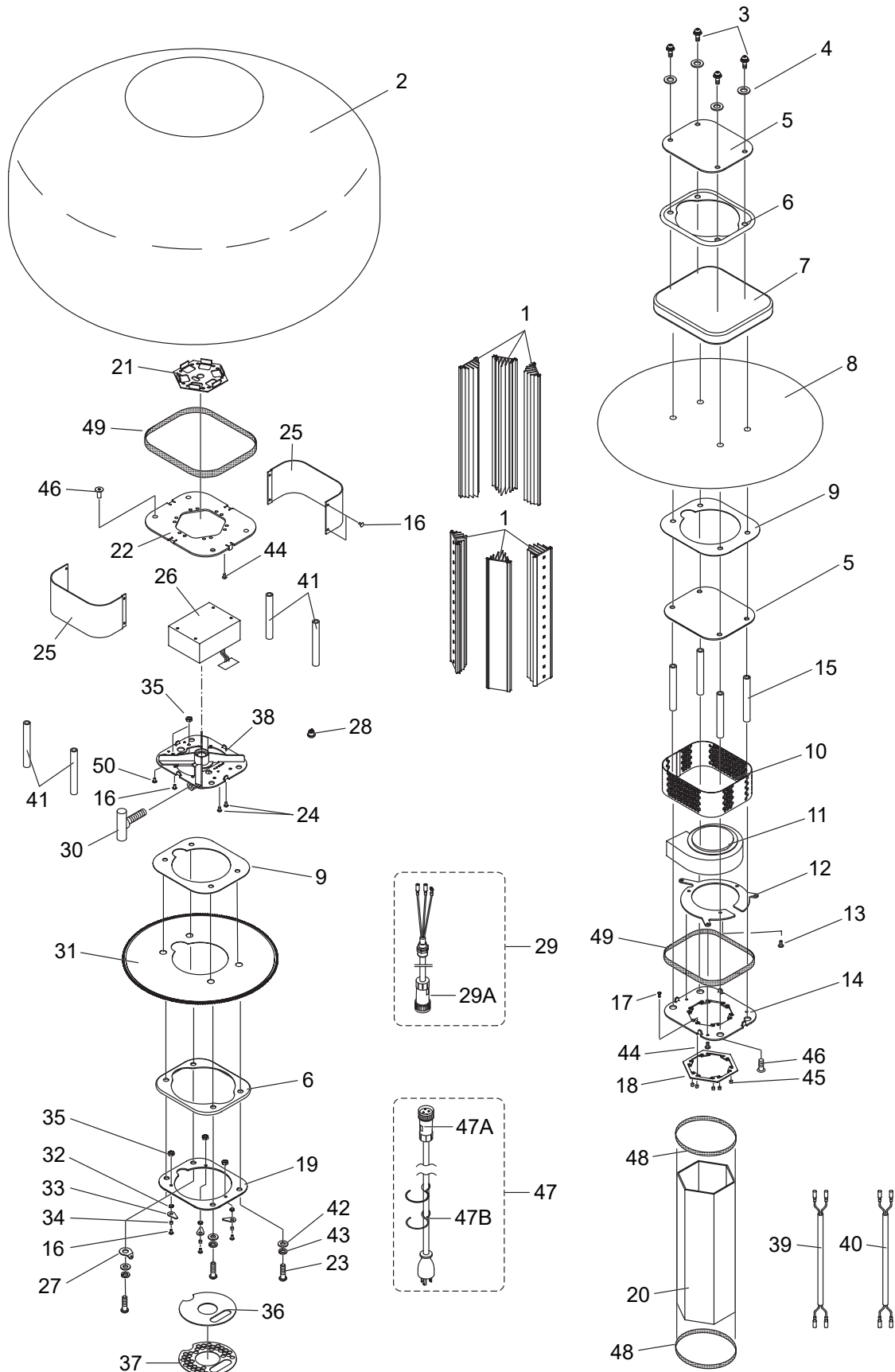
ELECTRICAL ASSY.



ELECTRICAL ASSY.

<u>NO.</u>	<u>PART NO.</u>	<u>PART NAME</u>	<u>QTY.</u>	<u>REMARKS</u>
1	A300260402	LED HEATSINK ASSY.	6	
2	A100104800	BALLOON CLOTH COMPLETE	1	
3	0014708025	BUTTON SCREW, M8X25	4	
4	E000132100	SUS. OPG. BONDED WASHER	4	
5	A300257000	PLATE, TOP	2	
6	A300162401	SEAL, PACKING	2	
7	A100106102	BALLOON COVER, BLACK-LED COMP.	1	
8	A300160302	SHEET, TOP COMPLETE	1	
9	2214500230	SEAL, FLAT	2	
10	A300238101	BEZEL, TOP	1	
11	A300280601	FAN MOTOR ASSY.	1	
12	A300281401	PLATE, FAN	1	
13	0023204006	COUNTERSUNK SCREW, M4X6	3	
14	A300247701	PLATE, LAMP TOP	1	
15	A400299600	SPACER, TOP	4	
16	0024304008	SCREW, M4X8	12	
17	0025004012	COUNTERSUNK SCREW, M4X12	12	
18	A400295300	STOPPER, GUARD	1	
19	A300256700	PLATE, BOTTOM	1	
20	A300243602	GUARD	1	
21	A300260101	ADAPTER BOARD COMPLETE	1	
22	A300249801	PLATE, LAMP	1	
23	0014708035	BUTTON SCREW, M8X35	4	
24	0023203005	COUNTERSUNK SCREW, M3X5	2	
25	A300180600	BEZEL 2	2	
26	A000064704	LED POWER SUPPLY COMPLETE	1	
27	2204510110	WASHER	2	S/N G4400073 AND ABOVE
28	A400329900	DIMMING SWITCH COMPLETE	1	
29	A300315800	POWER CABLE COMPLETE (US)	1	INCLUDES ITEMS W/#
29A#	E000116200	CONNECTOR	1	
30	A400209802	KNOB	1	
31	A300148201	SHEET, BOTTOM	1	
32	E000119300	WASHER, M4	3	
33	A400030700	STOPPER, FILTER	3	
34	E000077500	SPACER	3	
35	0033104000	NUT, M4	5	
36	A400273800	FILTER	1	
37	A300244600	PLATE, AIR	1	
38	A200087400	FLANGE COMPLETE, LED	1	
39	A400305001	WIRE, FAN, COMPLETE	1	
40	A400331100	WIRE, FAN-VC, COMPLETE	1	

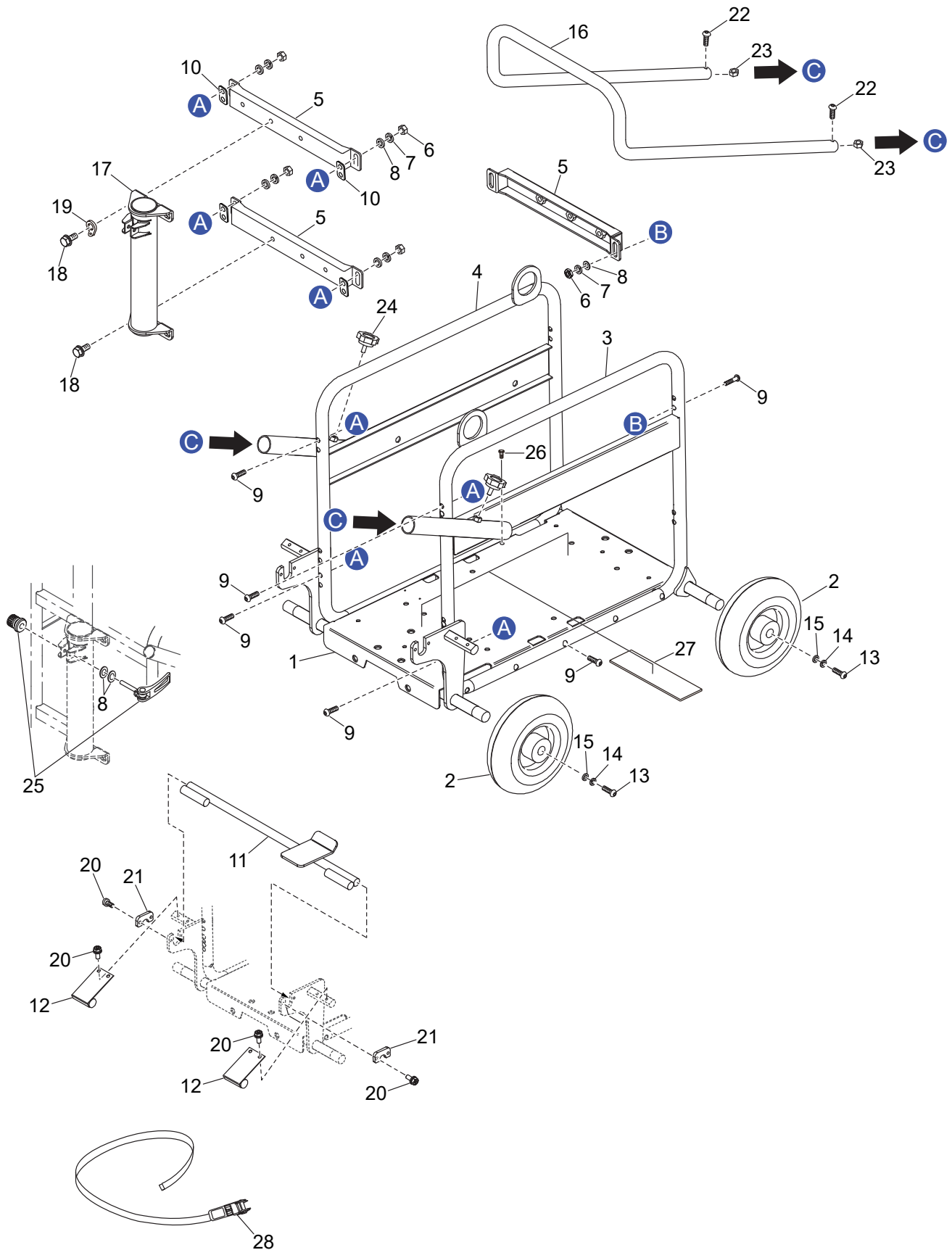
ELECTRICAL ASSY. (CONT'D.)



ELECTRICAL ASSY. (CONT'D.)

<u>NO.</u>	<u>PART NO.</u>	<u>PART NAME</u>	<u>QTY.</u>	<u>REMARKS</u>
41	A400281700	SPACER, BOTTOM	4	
42	0043108000	WASHER, FLAT, M8	4	
43	030208200	WASHER, LOCK, M8.....	4.....	REPLACES 0043208000
44	0023004015	SCREW AND WASHER, M4X15	15	
45	E000122300	SPACER	12	
46	E000119600	BOLT, M8X20	8	
47	A300315900	POWER CABLE COMPLETE (US)	1.....	INCLUDES ITEMS W/% S/N G4400072 AND BELOW
47	A300346900	POWER CABLE COMPLETE (US)	1.....	INCLUDES ITEMS W/\$ S/N G4400073 AND ABOVE
47A%\$	E000116300	CONNECTOR	1	
47B%\$	E000028200	S-HOOK	2	
48	A400340701	PACKING, GUARD	2	
49	A300310600	PACKING, PLATE	2	
50	0022404008	TRUSSHEAD SCREW, M4X8	1	

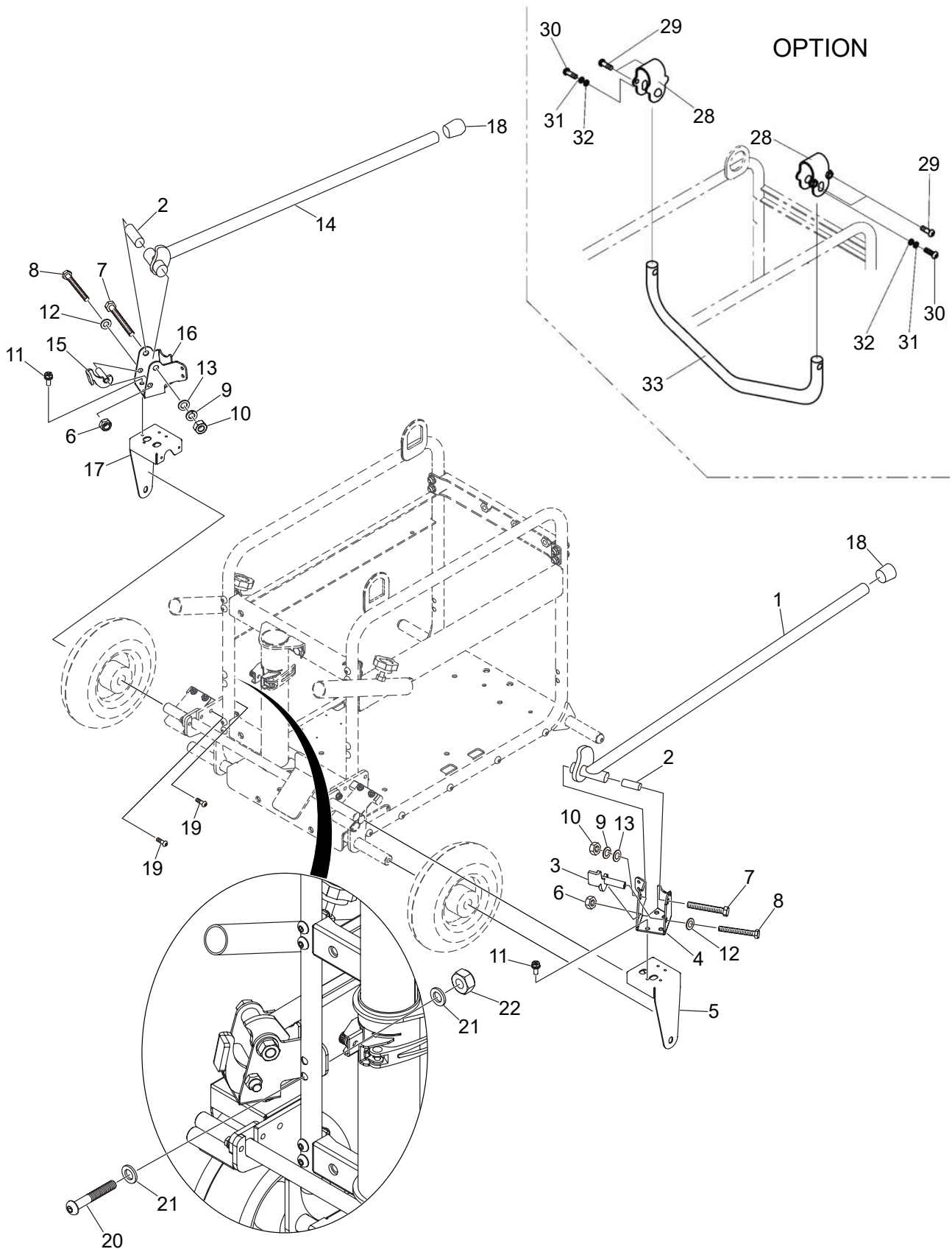
FRAME 1 ASSY.



FRAME 1 ASSY.

<u>NO.</u>	<u>PART NO.</u>	<u>PART NAME</u>	<u>QTY.</u>	<u>REMARKS</u>
1	A200098701	BASE PLATE	1.....	S/N G4400072 AND BELOW
1	A200106601	BASE PLATE	1.....	S/N G4400073 AND ABOVE
2	E000073501	TIRE.....	4.....	S/N G4400072 AND BELOW
2	1002200100	TIRE.....	4.....	S/N G4400073 AND ABOVE
3	A200101900	FRAME LEFT COMPLETE.....	1.....	S/N G4400072 AND BELOW
3	A200151900	FRAME LEFT COMPLETE.....	1.....	S/N G4400073 AND ABOVE
4	A200101800	FRAME RIGHT COMPLETE	1.....	S/N G4400072 AND BELOW
4	A200152000	FRAME RIGHT COMPLETE	1.....	S/N G4400073 AND ABOVE
5	A200089105	SUBFRAME.....	3.....	S/N G4400072 AND BELOW
5	A200089106	SUBFRAME.....	3.....	S/N G4400073 AND ABOVE
6	0033108000	NUT, M8	12	
7	0043208000	WASHER, LOCK, M8	12	
8	0043108000	WASHER, M8	14	
9	0014706035	BOLT, M6X35	22.....	S/N G4400072 AND BELOW
9	0014708040	BOLT, M8X40.....	22.....	S/N G4400073 AND ABOVE
10	A400447200	WASHER, FRAME.....	4.....	S/N G4400073 AND ABOVE
11	A200066002	BRAKE SHAFT	1.....	S/N G4400072 AND BELOW
11	A200152400	BRAKE SHAFT	1.....	S/N G4400073 AND ABOVE
12	A400290100	PLATE, BRAKE.....	2.....	S/N G4400072 AND BELOW
12	A400452000	PLATE, BRAKE.....	2.....	S/N G4400073 AND ABOVE
13	0014710020	BOLT, M10X20	4	
14	0043210000	WASHER, LOCK M10	4	
15	0043110000	WASHER, M10	4	
16	A300278101	HANDLE	1.....	S/N G4400072 AND BELOW
16	A300278102	HANDLE	1.....	S/N G4400073 AND ABOVE
17	A200062701	PIPE, MAST	1	
18	0013510025	BOLT AND WASHER, M10X25	4	
19	2204510110	WASHER, CABLE HANGER	2.....	S/N G4400073 AND ABOVE
20	0023105008	SCREW, M5X8	4.....	S/N G4400072 AND BELOW
20	0015406012	BOLT AND WASHER, M6X12	8.....	S/N G4400073 AND ABOVE
21	A400443600	PLATE, STOPPER.....	2.....	S/N G4400073 AND ABOVE
22	0014906012	BOLT, M6X12	2	
23	0033206000	SELF LOCK NUT, M6	2.....	S/N G4400072 AND BELOW
23	0033206000	SELF LOCK NUT, M6	2.....	S/N G4400073 AND ABOVE
24	E000042602	KNOB BOLT	2	
25	2212780310	LEVER W/ NUT, CLAMP	1	
26	0013106010	BOLT, M6X10.....	1.....	S/N G4400072 AND BELOW
26	0013106008	BOLT, M6X8.....	1.....	S/N G4400073 AND ABOVE
27	A400106001	SPONGE	2	
28	E000097300	LATCHING BELT	1	

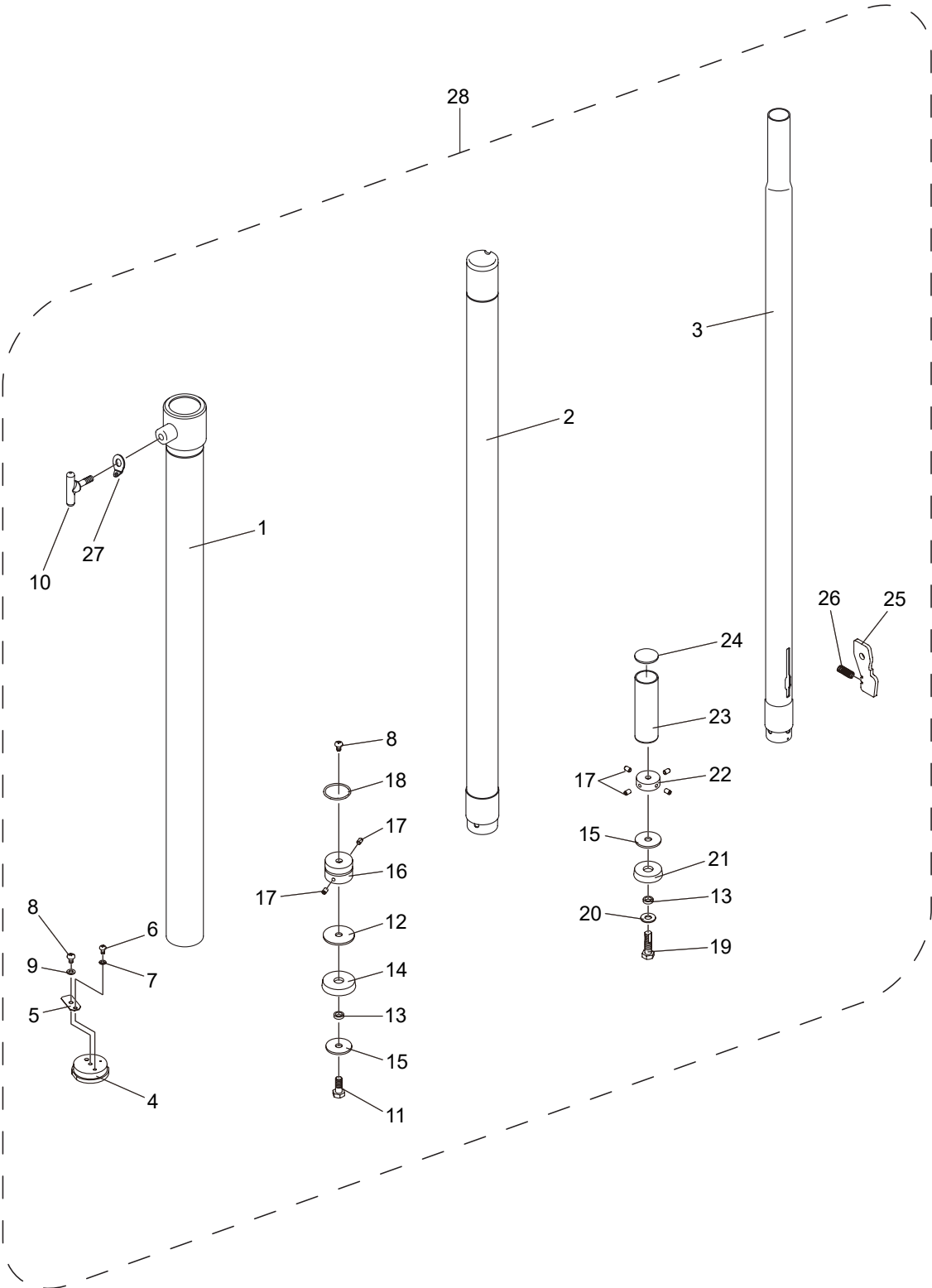
FRAME 2 ASSY.



FRAME 2 ASSY.

<u>NO.</u>	<u>PART NO.</u>	<u>PART NAME</u>	<u>QTY.</u>	<u>REMARKS</u>
1	A300093702	OUTRIGGER RIGHT-SIDE.....	1.....	S/N G4400072 AND BELOW
1	A300395702	OUTRIGGER RIGHT-SIDE.....	1.....	S/N G4400073 AND ABOVE
2	A400116700	SPACER.....	2.....	S/N G4400072 AND BELOW
2	A400480100	SPACER.....	2.....	S/N G4400073 AND ABOVE
3	A300094003	WEIGHT, OUTRIGGER RIGHT-SIDE.....	1.....	S/N G4400072 AND BELOW
3	A300404201	WEIGHT, OUTRIGGER RIGH SIDE.....	1.....	S/N G4400073 AND ABOVE
4	A200036602	BRACKET, OUTRIGGER RIGHT-SIDE.....	1.....	S/N G4400072 AND BELOW
4	A200152101	BRACKET, OUTRIGGER RIGHT-SIDE.....	1.....	S/N G4400073 AND ABOVE
5	A200091301	BRACKET RIGHT-SIDE.....	1.....	S/N G4400072 AND BELOW
5	A200150100	BRACKET RIGHT-SIDE.....	1.....	S/N G4400073 AND ABOVE
6	0033210000	SELF LOCK NUT M10	2	
7	0013512075	BOLT AND WASHER, M12X75.....	2.....	S/N G4400072 AND BELOW
7	0013512085	BOLT AND WASHER, M12X85.....	2.....	S/N G4400073 AND ABOVE
8	0013210070	BOLT, M10X70.....	2.....	S/N G4400072 AND BELOW
8	0013210080	BOLT, M10X80.....	2.....	S/N G4400073 AND ABOVE
9	0043212000	WASHER, LOCK M12	2	
10	0033112000	NUT, M12	2	
11	0015106015	BOLT AND WASHER, M6X15	8	
12	0043110000	WASHER, M10	2	
13	0043112000	WASHER, M12	2	
14	A300093802	OUTRIGGER LEFT.....	1.....	S/N G4400072 AND BELOW
14	A300395802	OUTRIGGER LEFT.....	1.....	S/N G4400073 AND ABOVE
15	A300093903	WEIGHT, OUTRIGGER LEFT-SIDE.....	1.....	S/N G4400072 AND BELOW
15	A300404101	WEIGHT, OUTRIGGER LEFT-SIDE.....	1.....	S/N G4400073 AND ABOVE
16	A200036702	BRACKET, OUTRIGGER LEFT-SIDE.....	1.....	S/N G4400072 AND BELOW
16	A200152201	BRACKET, OUTRIGGER LEFT-SIDE.....	1.....	S/N G4400073 AND ABOVE
17	A200091201	BRACKET LEFT-SIDE.....	1.....	S/N G4400072 AND BELOW
17	A200150200	BRACKET LEFT-SIDE.....	1.....	S/N G4400073 AND ABOVE
18	E000148900	RUBBER, FOOT.....	2.....	S/N G4400072 AND BELOW
18	E000149500	RUBBER, FOOT.....	2.....	S/N G4400073 AND ABOVE
19	0014706035	BOLT, M6X35.....	2.....	S/N G4400072 AND BELOW
19	0014706015	BOLT, M6X15.....	2.....	S/N G4400072 AND BELOW
19	0014706015	BOLT, M6X15.....	4.....	S/N G4400073 AND ABOVE
20	0014706040	BOLT, M6X40.....	4.....	S/N G4400073 AND ABOVE
21	0043106000	WASHER, M10.....	8.....	S/N G4400073 AND ABOVE
22	0033206000	SELF LOCK NUT, M6.....	4.....	S/N G4400073 AND ABOVE
28	A300274400	BRACKET COMPLETE	2	
29	0014906025	BOLT, M6X25	4	
30	0015908035	TORX BOLT, M8X35	2	
31	0044308000	WASHER, LOCK M8	2	
32	0044208000	WASHER, M8	2	
33	A200099000	THEFT GUARD	1	

MAST ASSY.



MAST ASSY.

<u>NO.</u>	<u>PART NO.</u>	<u>PART NAME</u>	<u>QTY.</u>	<u>REMARKS</u>
1#	A300175400	FIRST MAST COMPLETE	1	
2#	A300175500	SECOND MAST COMPLETE	1	
3#	A300175600	THIRD MAST COMPLETE	1	
4#	A400199700	PLUG	1	
5#	A400112700	LEAF VALVE	1	
6#	0023104008	SCREW, M4X8	1	
7#	0041210000	WASHER, M4	1.....	REPLACES P/N 0043104000
8#	0023105008	SCREW, M5X8	2	
9#	0043105000	WASHER, M5	1	
10#	A400187602	KNOB, BLACK	1	
11#	0013108020	BOLT, M8X20	1	
12#	A400200500	WASHER	1	
13#	A400110200	WASHER, MAST 1	2	
14#	A400200700	RUBBER, MAST	1	
15#	A400092801	WASHER, SECOND MAST	2	
16#	A400200800	BOTTOM PLATE	1	
17#	0024705008	SET SCREW, M5X8	6	
18#	E000081200	O-RING	1	
19#	A400202700	BOLT	1	
20#	0043108000	WASHER, M8	1	
21#	A400109600	RUBBER, MAST 1	1	
22#	A400092402	BOTTOM PLATE 1	1	
23#	A400200300	PIPE, LEVER	1	
24#	A400321800	WASHER	1	
25#	A400200201	LEVER, HOOK	1	
26#	A400345900	SPRING, HOOK	1	
27#	2204510110	WASHER	1	
28	A000028700	3-PIECE MAST ASSY. COMPLETE	1.....	INCLUDES ITEMS W/ #