

PARTS MANUAL



MODEL GA6HR/GA6HRS PORTABLE GENERATORS (HONDA GX340RT2EDN2/GX340RT2EDE2 GASOLINE ENGINES)

**PARTS LIST NO. A5874201804K/GA6HR
PARTS LIST NO. A5874201704K/GA6HRS**

Revision #4 (07/07/21)

THIS MANUAL MUST ACCOMPANY THE EQUIPMENT AT ALL TIMES.

TABLE OF CONTENTS

GA6HR/GA6HRS 60 Hz Portable Generator

Table Of Contents.....	2
Explanation Of Code In Remarks Column.....	4
Suggested Spare Parts	5

Component Drawings

Nameplate And Decals Assembly	6-7
Generator Assembly.....	8-9
Control Box Assembly (GA6HR).....	10-11
Control Box Assembly (GA6HRS)	12-13
Pipe Frame Assembly.....	14-17
Battery Assembly (GA6HRS)	18-19
Muffler Assembly.....	20-21
Wheel Kit Assy. (GA6HR) S/N 5768990 & Below...	22-23
Wheel Kit Assy. (GA6HRS) S/N 5768960 & Below ...	22-23
Wheel Kit Assy. (GA6HR) S/N 5768991 & Above .	24-25
Wheel Kit Assy. (GA6HRS) S/N 5768961 & Above...	24-25
Engine Service Parts.....	26-27

SUGGESTED SPARE PARTS

GA6HR/GA6HRS PORTABLE 60 HZ GENERATOR WITH HONDAGX340RT2EDN2/GX340RT2EDE2 GASOLINE ENGINES

1 to 3 units

Qty.	P/N	Description
1.....	0430430120.....	CAP FUEL TANK
1.....	0641360030.....	FILTER FUEL
3.....	16950ZB4015	FUEL STRAINER
2.....	3015419604.....	RUBBER SUSPENSION
2.....	1665419004.....	RUBBER SUSPENSION
3.....	9807955876.....	SPARK PLUG
1.....	35480ZF6003	SWITCH ASSY., OIL ALERT
2.....	28462ZV7003	ROPE, RECOIL STARTER
3.....	17211899000.....	ELEMENT, AIR CLEANER

GA6HR/GA6HRS— NAMEPLATE AND DECALS ASSY.

GA6HR

OPERATING INSTRUCTIONS

1. Before starting check the oil and fuel level.
2. Switch the circuit breaker to the "OFF" position.
3. Open the fuel valve.
4. Pull the choke knob.
5. Turn the operation switch to the "ON" position.
6. Pull the recoil starter.
7. After the engine starts, gradually push in the choke knob.
8. Run the generator for 3-5 minutes without load.
9. Check for any abnormal noise or smell.
10. Switch the circuit breaker to the "ON" position.
11. When stopping, cut-off the load and allow the unit to cool for 2-3 minutes before stopping engine.
12. Turn the operation switch to the "OFF" position.
13. After the engine completely stops, close the fuel valve.

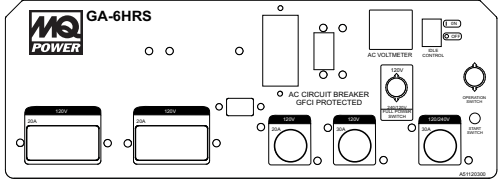
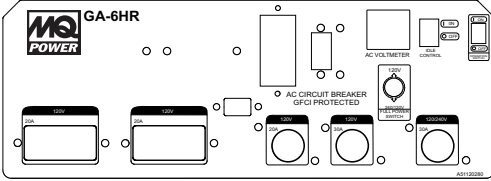
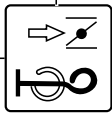
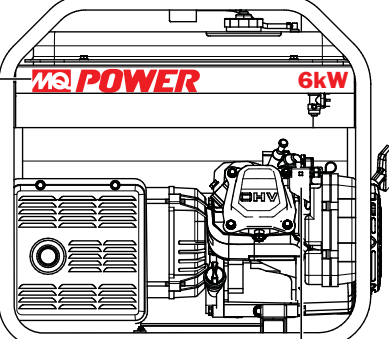
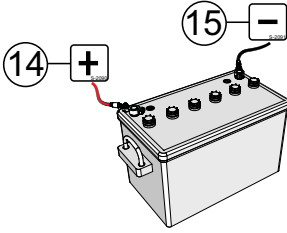
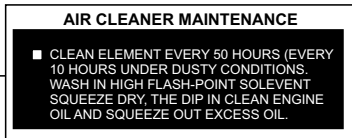
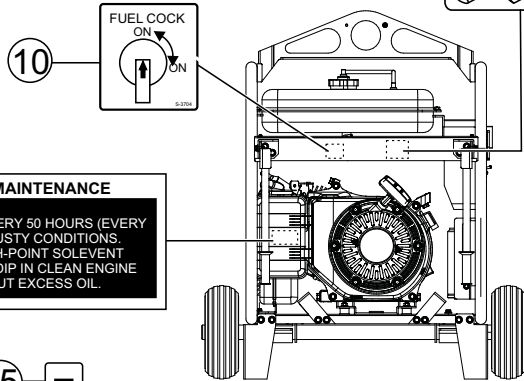
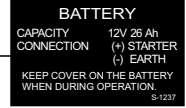
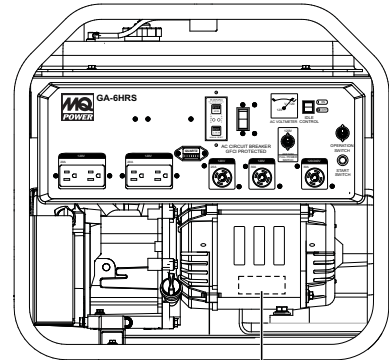
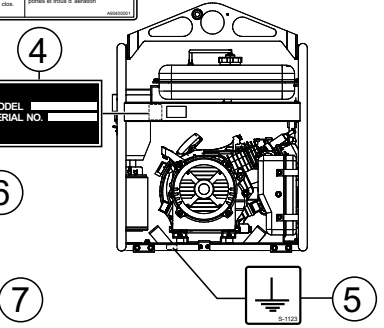
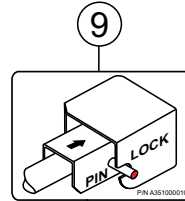
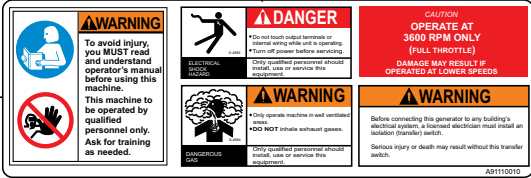
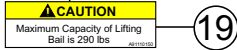
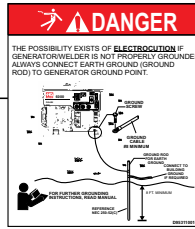
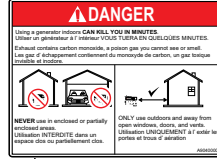
A82120010

GA6HRS

OPERATING INSTRUCTIONS

1. Before starting check the oil and fuel level.
2. Switch the circuit breaker to the "OFF" position.
3. Open the fuel valve.
4. Pull the choke knob.
5. Turn the operation switch to the "ON" position and push the start button to start the engine.
6. After the engine starts, gradually push in the choke knob.
7. Run the generator for 3-5 minutes without load.
8. Check for any abnormal noise or smell.
9. Switch the circuit breaker to the "ON" position.
10. When stopping, cut-off the load and allow the unit to cool for 2-3 minutes before stopping engine.
11. Turn the operation switch to the "OFF" position.
12. After the engine completely stops, close the fuel valve.

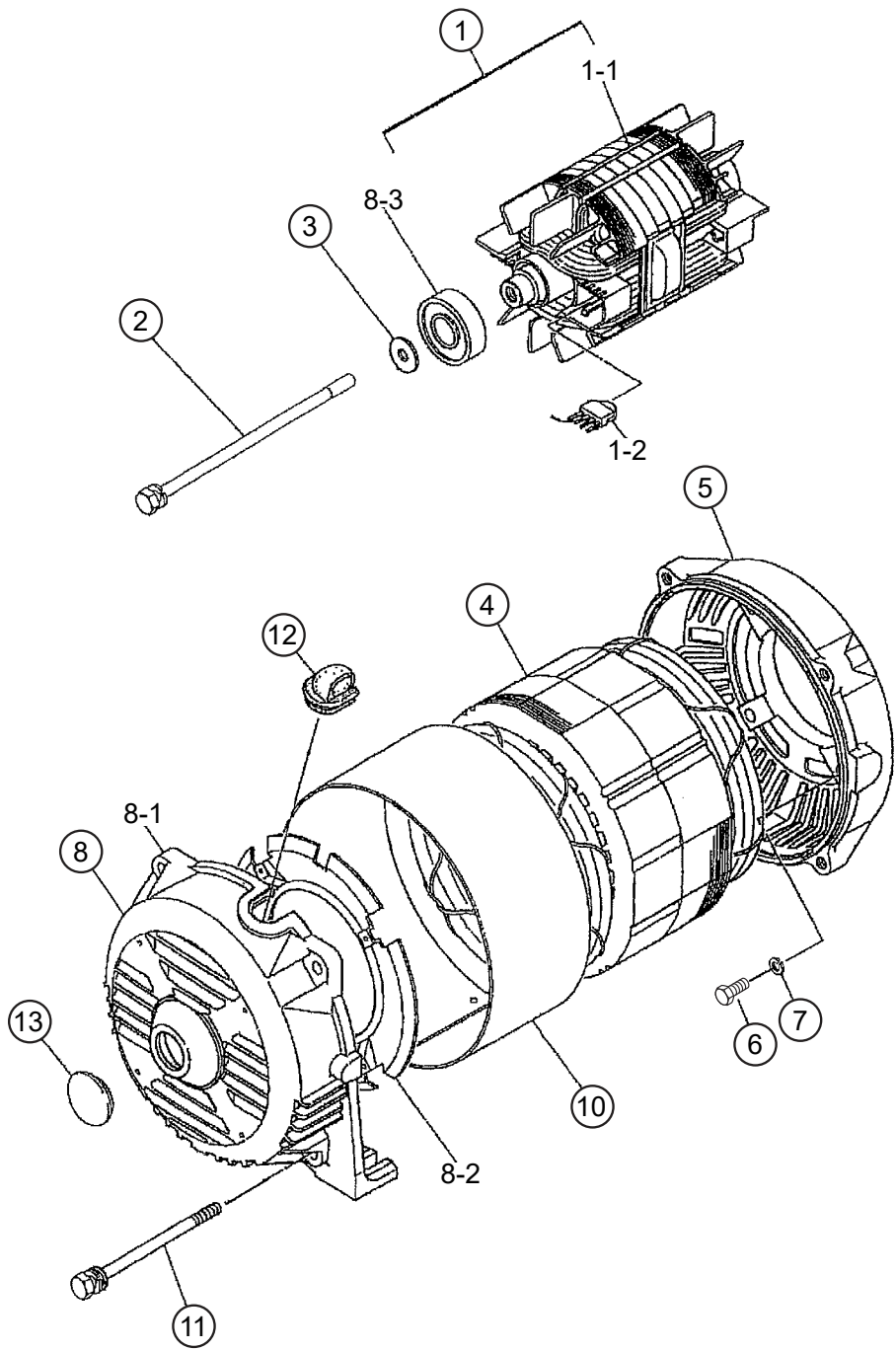
A85100000



GA6HR/GA6HRS— NAMEPLATE AND DECALS ASSY.

<u>NO.</u>	<u>PART NO.</u>	<u>PART NAME</u>	<u>QTY.</u>	<u>REMARKS</u>
1	A5551000004	DECAL: OPERATING INSTR., GA6HR	1.....	A92120010
2	A9521200104	DECAL: OPERATING INSTR., GA6HRS.....	1.....	A55100000
3	A9504000014	DECAL: WARNING DANGEROUS GAS	1.....	A90400001
4		DECAL: NAMEPLATE.....	1.....	CONTACT MQ PARTS DEPT.
5	0800628504	DECAL: GROUND	1.....	S1123
6	920214100	DECAL: WARNING START FIRES	1.....	M90420000
7	D9531100104	DECAL: DANGER ELECTROCUTION	1.....	A93110010
8	A9511100103	DECAL: WARNING	1.....	A91110010
9	A3551000104	DECAL: HANDLE OPERATION	1.....	A35100010
10	1980680004	DECAL: FUEL COCK	1.....	S3704
11	0800696804	DECAL: BATTERY, GA6HRS.....	1.....	REPLACES P/N 0800696604
12	87533ZC0630	DECAL: AIR CLEANER	1.....	REPLACES P/N 0600500045
13	A5561001003	DECAL: MQ POWER GA-6H	1	
14	0800689404	DECAL: +, GA6HRS	1	
15	0800689504	DECAL: -, GA6HRS	1	
16	87528898620	DECAL: CHOKE	1.....	REPLACES P/N 0600500047
17	A5511202802	DECAL: CONTROL PANEL, GA6HR.....	1.....	A51120280
18	A5511203002	DECAL: CONTROL PANEL, GA6HRS	1.....	A51120300
19	A9511101504	DECAL: CAUTION.....	1.....	A91110150

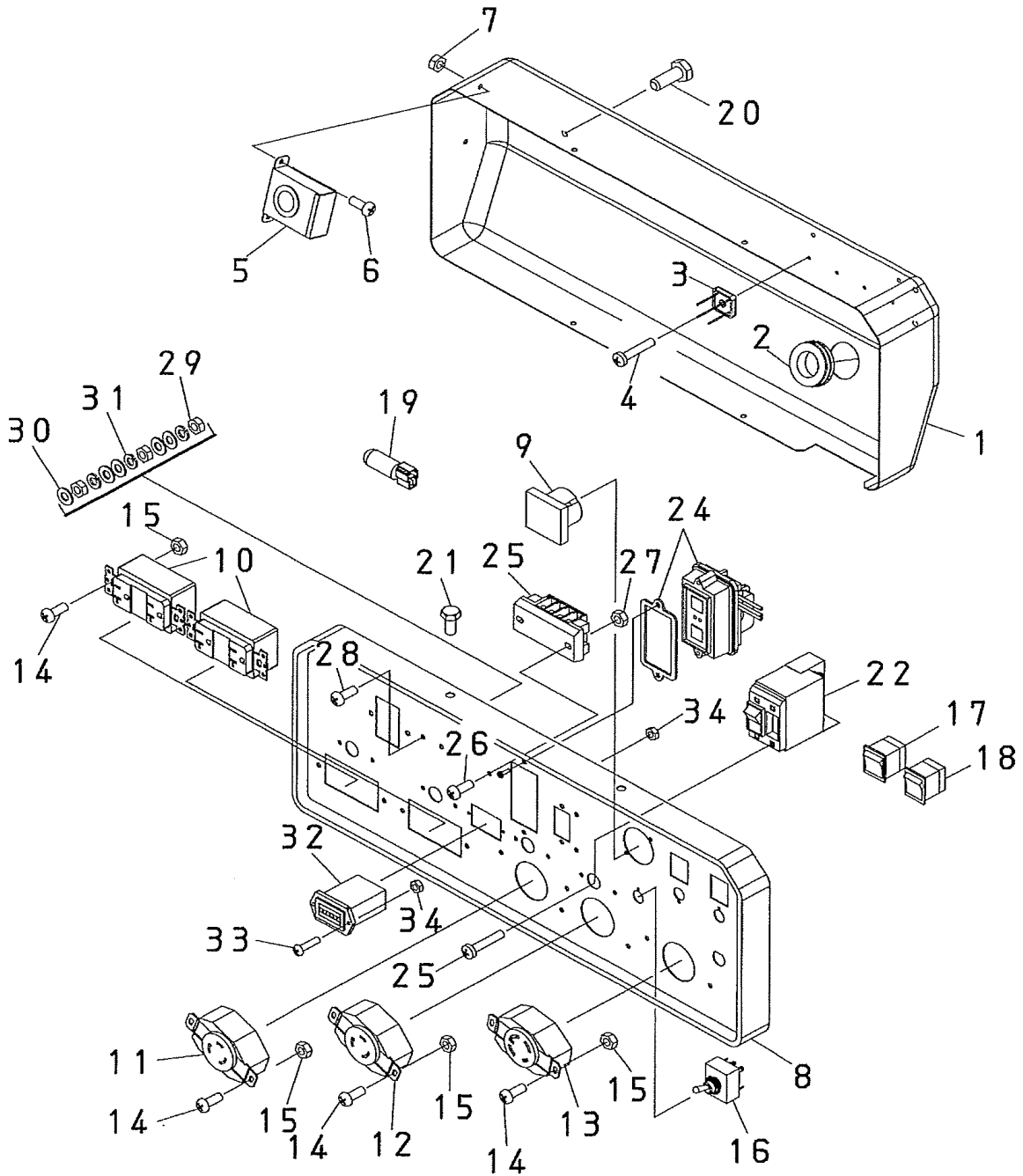
GA6HR/GA6HRS — GENERATOR ASSY.



GA6HR/GA6HRS — GENERATOR ASSY.

NO.	PART NO.	PART NAME	QTY.	REMARKS
1	7901002403	ROTOR ASSY.	1	INCLUDES ITEMS W/\$
1-1\$		FIELD ASSY.	1	
1-2\$	0601823213	RECTIFIER	2	
1-2A\$	0601822638	SURGE ABSORBER, GA6HR.....	2	S/N 5845575 AND BELOW
1-2A\$	0601822638	SURGE ABSORBER, GA6HRS	2	S/N 5845385 AND BELOW
1-2A\$	0601822692	SURGE ABSORBER, GA6HR.....	2	S/N 5845576 AND ABOVE
1-2\$	0601822692	SURGE ABSORBER, GA6HRS	2	S/N 5845386 AND ABOVE
2	7901017004	SET BOLT, ROTOR	1	
3	0801086104	SET WASHER, BEARING	1	
4	A5135000103	ARMATURE ASSY., GA6HR	1	
4	A5135000003	ARMATURE ASSY., GA6HRS	1	
5	7901315502	END BRACKET	1	
6	0013608020	HEX. HEAD BOLT	4	
7	0040008000	WASHER, LOCK	4	
8	W7871315022D	END BRACKET, GA6HR	1	REPLACES P/N 7871315022 S/N 5745401 AND BELOW
8	W7871315022D	END BRACKET, GA6HRS	1	REPLACES P/N 7871315022 S/N 5745371 AND BELOW
8	A3154000003	END BRACKET ASSY., GA6HR	1	INCLUDES ITEMS W/# S/N 5745402 AND ABOVE
8	A3154000003	END BRACKET ASSY., GA6HRS.....	1	INCLUDES ITEMS W/% S/N 5745372 AND ABOVE
8-1#	W7871315022D	END BRACKET, GA6HR	1	REPLACES P/N 7871315022 S/N 5745402 AND ABOVE
8-1%	W7871315022D	END BRACKET, GA6HRS	1	REPLACES P/N 7871315022 S/N 5745372 AND ABOVE
8-2	7875021523	GUIDE PANEL, AIR, GA6HR.....	1	S/N 5745401 AND BELOW
8-2	7875021523	GUIDE PANEL, AIR, GA6HRS	1	S/N 5745371 AND BELOW
8-2#	7875021523	GUIDE PANEL, AIR, GA6HR.....	1	S/N 5745402 AND ABOVE
8-2%	7875021523	GUIDE PANEL, AIR, GA6HRS	1	S/N 5745372 AND ABOVE
8-3	0071706304	BEARING, GA6HR	1	S/N 5745401 AND BELOW
8-3	0071706304	BEARING, GA6HRS.....	1	S/N 5745371 AND BELOW
8-3#	0071706304	BEARING, GA6HR	1	S/N 5745402 AND ABOVE
8-3%	0071706304	BEARING, GA6HRS.....	1	S/N 5745372 AND ABOVE
10	7871331003	COVER	1	
11	7901316004	SET BOLT, STATOR	4	
12	7871329514	GROMMET	1	
13	0601851760	CAP	1	

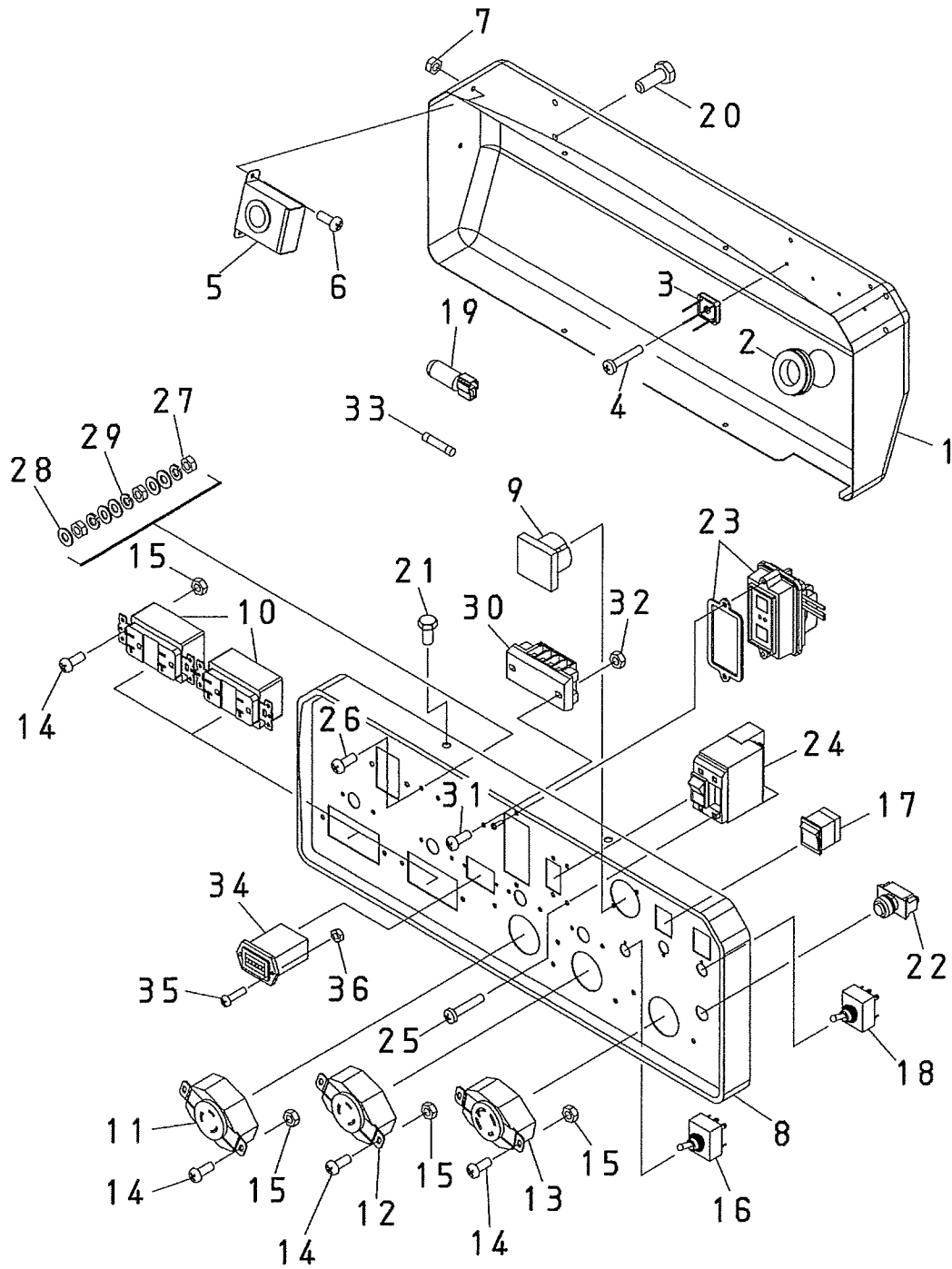
GA6HR — CONTROL BOX ASSY.



GA6HR — CONTROL BOX ASSY.

<u>NO.</u>	<u>PART NO.</u>	<u>PART NAME</u>	<u>QTY.</u>	<u>REMARKS</u>
1	A3214000403	CONTROL BOX	1	
2	0601850102	GROMMET	1	
3	0601823204	RECTIFIER	2	
4	Y0021003012	MACHINE SCREW	2	
5	0601823853	SLOW DOWN UNIT	1	
6	0021004010	MACHINE SCREW	2	
7	OEMAA8	HEX. NUT	2	REPLACES P/N 0207004000
8	A3224000703	CONTROL PANEL	1	
9	0601806819	AC VOLTMETER 0~120/240V	1	
10	0601814065	RECEPTACLE	2	
11	0601811092	RECEPTACLE	1	REPLACES P/N 0601812592
12	0601811031	RECEPTACLE	1	REPLACES P/N 0601811035
13	0601812529	RECEPTACLE	1	
14	0021004010	MACHINE SCREW	10	
15	OEMAA8	HEX. NUT	10	REPLACES P/N 0207004000
16	0601830737	FULL POWER SWITCH	1	
17	0601831620	IDLE CONTROL SWITCH	1	
18	0601831620	OPERATION SWITCH	1	
19	A3262800004	CONDENSER ASSY.	1	
20	011106015	HEX. HEAD BOLT	4	REPLACES P/N 0017106015
21	0017105010	HEX. HEAD BOLT	4	
22	0601872301	CIRCUIT BREAKER, 120V 23A 2P	1	
23	0021003005	MACHINE SCREW	4	
24	0601829301	EARTH LEAKAGE RELAY	1	
25	Y0601815779	TERMINAL BOARD	1	
26	0021004020	MACHINE SCREW	2	
27	OEMAA8	HEX. NUT	2	REPLACES P/N 0207004000
28	Y0027004025	MACHINE SCREW	1	
29	OEMAA8	HEX. NUT	3	REPLACES P/N 0030004000
30	58042	WASHER, FLAT	5	REPLACES P/N 0041204000
31	0040004000	WASHER, LOCK	3	
32	Y0601800699	HOUR METER	1	
33	Y0021003012	MACHINE SCREW	2	
34	0207003000	HEX. NUT	2	

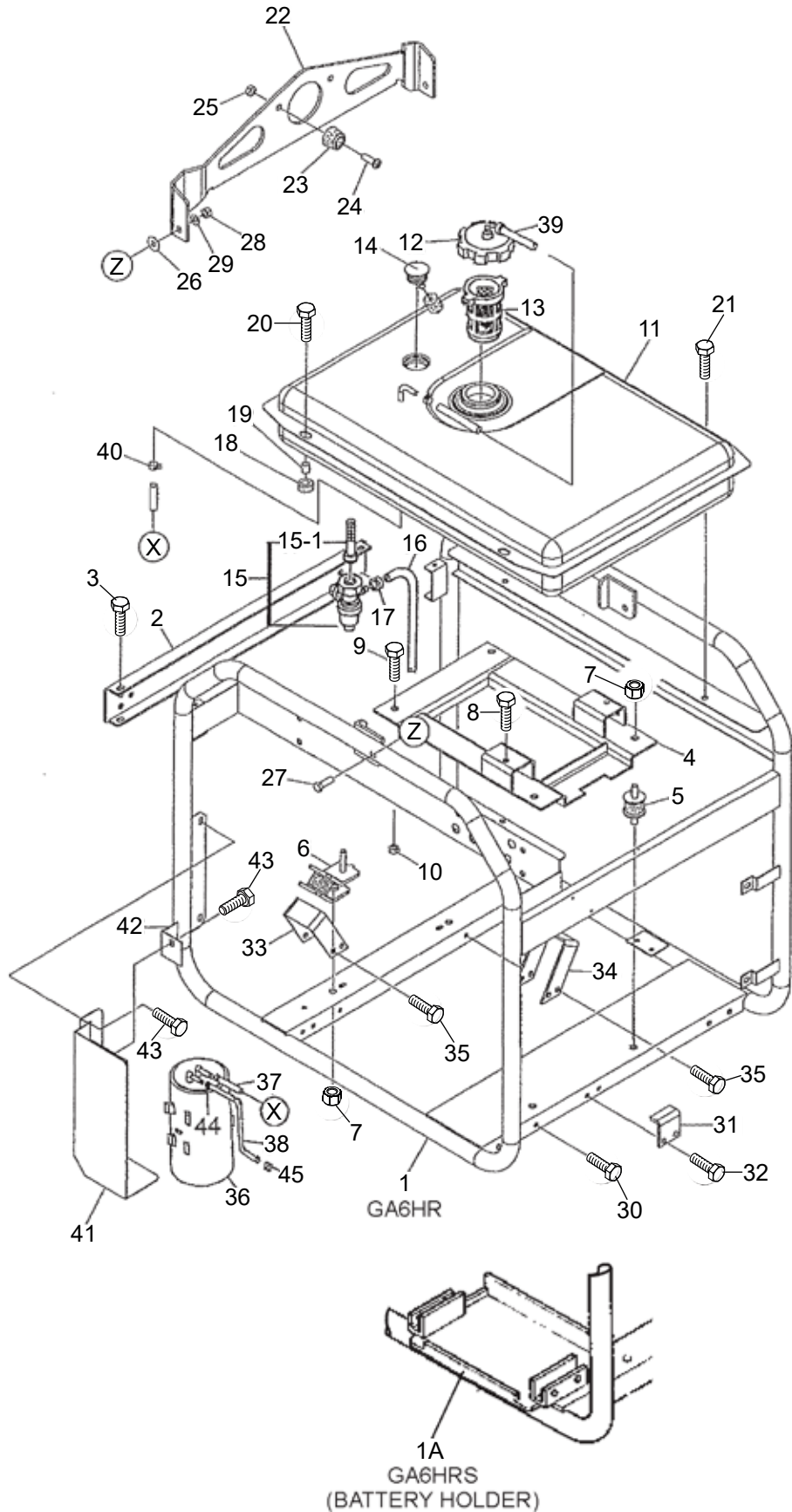
GA6HRS — CONTROL BOX ASSY.



GA6HRS — CONTROL BOX ASSY.

<u>NO.</u>	<u>PART NO.</u>	<u>PART NAME</u>	<u>QTY.</u>	<u>REMARKS</u>
1	A3214000403	CONTROL BOX	1	
2	0601850102	GROMMET	1	
3	0601823204	RECTIFIER	2	
4	Y0021003012	MACHINE SCREW	2	
5	0601823853	SLOW DOWN UNIT	1	
6	0021004010	MACHINE SCREW	2	
7	OEMAA8	HEX. NUT	2	REPLACES P/N 0207004000
8	A3224000703	CONTROL PANEL	1	
9	0601806819	AC VOLTMETER 0~120/240V	1	
10	0601814065	RECEPTACLE	2	
11	0601811092	RECEPTACLE	1	REPLACES P/N 0601812592
12	0601811031	RECEPTACLE	1	REPLACES P/N 0601811035
13	0601812529	RECEPTACLE	1	
14	0021004010	MACHINE SCREW	10	
15	OEMAA8	HEX. NUT	10	REPLACES P/N 0207004000
16	0601830737	FULL POWER SWITCH	1	
17	0601831620	IDLE CONTROL SWITCH	1	
18	0601830737	OPERATION SWITCH	1	
19	A3262800004	CONDENSER ASSY.	1	
20	011106015	HEX. HEAD BOLT	4	REPLACES P/N 0017106015
21	0017105010	HEX. HEAD BOLT	4	
22	0602100102	START SWITCH	1	
23	0601829301	EARTH LEAKAGE RELAY	1	
24	0601872301	CIRCUIT BREAKER, 120V 23A 2P	1	
25	0021003005	MACHINE SCREW	4	
26	Y0027004025	MACHINE SCREW	1	
27	OEMAA8	HEX. NUT	2	REPLACES P/N 0207004000
28	58042	WASHER, FLAT	5	REPLACES P/N 0041204000
29	0040004000	WASHER, LOCK	3	
30	Y0601815779	TERMINAL BOARD	1	
31	0021004020	MACHINE SCREW	2	
32	OEMAA8	HEX. NUT	3	REPLACES P/N 0030004000
33	Y0601802137	FUSE, 10A	1	
34	Y0601800699	HOUR METER	1	
35	Y0021003012	MACHINE SCREW	2	
36	0207003000	HEX. NUT	2	

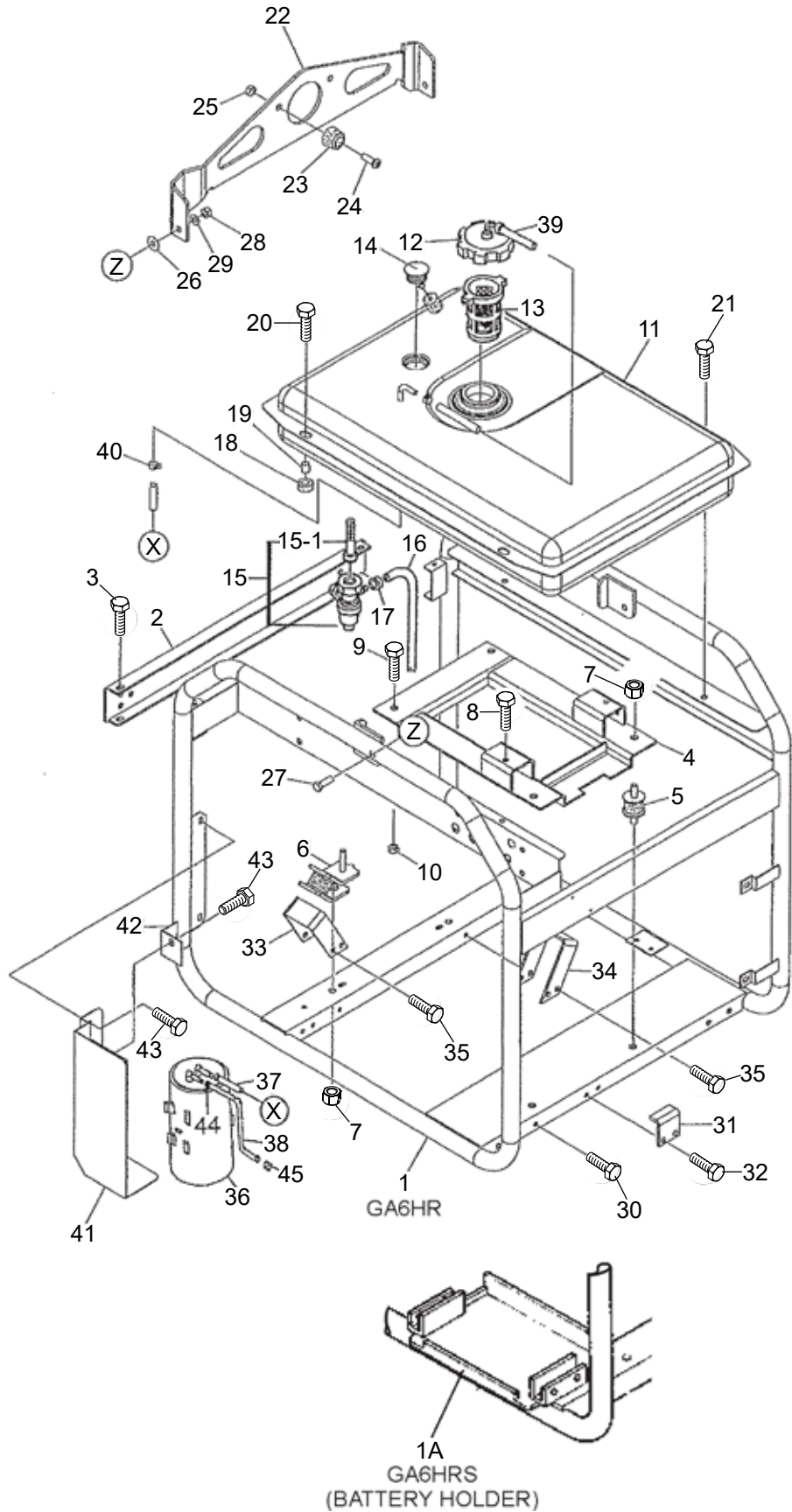
GA6HR/GA6HRS — PIPE FRAME ASSY.



GA6HR/GA6HRS — PIPE FRAME ASSY.

<u>NO.</u>	<u>PART NO.</u>	<u>PART NAME</u>	<u>QTY.</u>	<u>REMARKS</u>
1	A5417001102	PIPE FRAME, GA6HR.....	1.....	S/N 5768990 AND BELOW
1	A5417001112	PIPE FRAME, GA6HR.....	1.....	S/N 5768991 AND ABOVE
1A	A5417001202	PIPE FRAME, GA6HRS	1.....	S/N 5768960 AND BELOW
1A	A5417001212	PIPE FRAME, GA6HRS	1.....	S/N 5768961 AND ABOVE
2	A3417100204	BRACKET, GA6HR	1.....	S/N 5768990 AND BELOW
2	A3417100204	BRACKET, GA6HRS.....	1.....	S/N 5768960 AND BELOW
2	A3417100304	BRACKET, GA6HR	1.....	S/N 5768991 AND ABOVE
2	A3417100304	BRACKET, GA6HRS.....	1.....	S/N 5768961 AND ABOVE
3	011106015	HEX. HEAD BOLT	4.....	REPLACES P/N 0017106015
4	7905443003	BASE	1	
5	3015419604	RUBBER SUSPENSION	2	
6	1665419004	RUBBER SUSPENSION	2.....	REPLACES P/N 1725419214
7	020108060	HEX. NUT	8.....	REPLACES P/N 0207008000
8	0017108030	HEX. HEAD BOLT	2	
9	0017108040	HEX. HEAD BOLT	2	
10	020108060	HEX. NUT	2.....	REPLACES P/N 0207008000
11	A3361000004	FUEL TANK, GA6HR	1.....	S/N 5870476 AND BELOW
11	A3361000004	FUEL TANK, GA6HRS.....	1.....	S/N 5868964 AND BELOW
11	A3361000014	FUEL TANK, GA6HR	1.....	S/N 5870477 AND ABOVE
11	A3361000014	FUEL TANK, GA6HRS.....	1.....	S/N 5868965 AND ABOVE
12	0430430120	CAP, FUEL TANK, GA6HR.....	1.....	S/N 5859198 AND BELOW
12	0430430120	CAP, FUEL TANK, GA6HRS	1.....	S/N 5857232 AND BELOW
12	A2361000304	CAP, FUEL TANK, GA6HR.....	1.....	S/N 5859199 AND ABOVE
12	A2361000304	CAP, FUEL TANK, GA6HRS	1.....	S/N 5857233 AND ABOVE
13	0641360030	FUEL FILTER	1.....	REPLACES P/N 0605505162
14	0602125034	FUEL GAUGE	1	
15	16950ZB4015	FUEL STRAINER	1.....	INCLUDES ITEMS W/#
15-1#	16952KJ9752	SCREEN SET	1.....	REPLACES P/N 16952ZB4005
16	91424ZBH831	HOSE	1	REPLACES P/N Y0605513215
17	950024080008	HOSE BAND	2	
18	7855525514	RUBBER CUSHION	2	
19	7855525604	COLLAR	2	
20	011208030	HEX. HEAD BOLT	2.....	REPLACES P/N 0017108030
21	011008020	HEX. HEAD BOLT	2.....	REPLACES P/N 0017108020
22	A9117200103	HANGER	1	
23	0601850097	STOPPER	1	
24	011208025	MACHINE SCREW	1.....	REPLACES P/N 0021008025
25	020108060	HEX. NUT	1.....	REPLACES P/N 0207008000
26	0601851116	PLASTIC WASHER	2	
27	011208025	HEX. HEAD BOLT	2.....	REPLACES P/N 0011308025
28	0037608000	HEX. NUT, GA6HR	2	
28	0207608000	HEX. NUT, GA6HRS	2	
29	0042108000	WASHER, FLAT	2	
30	0019206015	HEX. HEAD BOLT	1	
31	7915456004	STOPPER	1	
32	011106015	HEX. HEAD BOLT	2.....	REPLACES P/N 0017106015
33	7915455103	COVER	1	

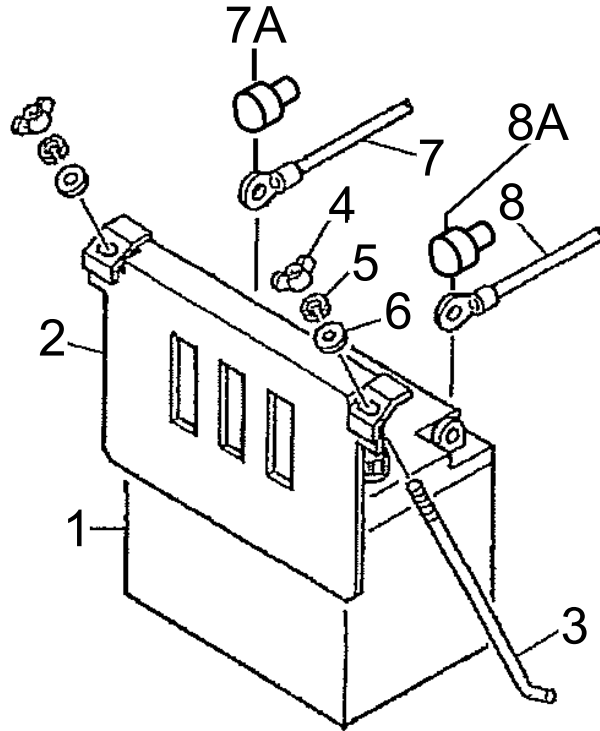
GA6HR/GA6HRS — PIPE FRAME ASSY. (CONT'D.)



GA6HR/GA6HRS — PIPE FRAME ASSY. (CONT'D.)

<u>NO.</u>	<u>PART NO.</u>	<u>PART NAME</u>	<u>QTY.</u>	<u>REMARKS</u>
34	7855455003	COVER	1	
35	011106015	HEX. HEAD BOLT	6	REPLACES P/N 0017106015
36	0605507002	CANISTER, GA6HR	1	S/N 5752176 AND BELOW
36	0605507002	CANISTER, GA6HRS	1	S/N 5750082 AND BELOW
36	0605507005	CANISTER, GA6HR	1	S/N 5752177 - 5859198
36	0605507005	CANISTER, GA6HRS	1	S/N 5750083 - 5857232
36	0605507010	CANISTER, GA6HR	1	S/N 5859199 AND ABOVE
36	0605507010	CANISTER, GA6HRS	1	S/N 5857233 AND ABOVE
37	Y0605513202	HOSE	1	
38	Y0605513210	HOSE	1	
39	0605513189	HOSE, GA6HR	1	S/N 5817318 AND BELOW
39	0605513189	HOSE, GA6HRS	1	S/N 5812335 AND BELOW
39	0605513219	HOSE, GA6HR	1	S/N 5817319 AND ABOVE
39	0605513219	HOSE, GA6HRS	1	S/N 5812336 AND ABOVE
40	0605515223	HOSE BAND, GA6HR.....	2	S/N 5817318 AND BELOW
40	0605515223	HOSE BAND, GA6HRS	2	S/N 5812335 AND BELOW
40	0605515223	HOSE BAND, GA6HR.....	4	S/N 5817319 AND ABOVE
40	0605515223	HOSE BAND, GA6HRS	4	S/N 5812336 AND ABOVE
41	A3261600103	BRACKET	1	
42	A3261600204	STOPPER	1	
43	011106015	HEX. HEAD BOLT	3	REPLACES P/N 0016906015
44	0605515170	HOSE BAND	1	
45	Y0605515229	HOSE BAND	1	

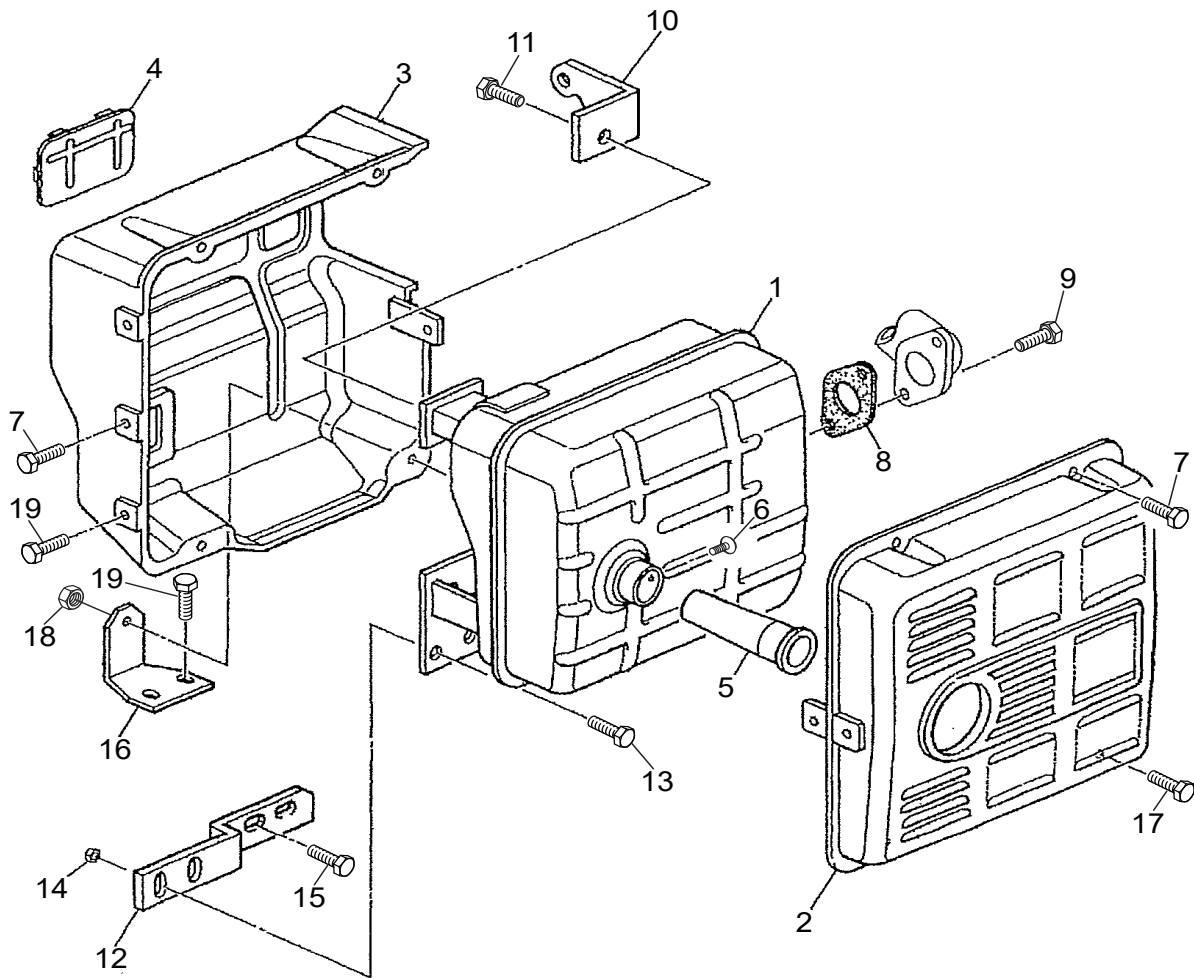
GA6HRS — BATTERY ASSY.



GA6HRS — BATTERY ASSY.

<u>NO.</u>	<u>PART NO.</u>	<u>PART NAME</u>	<u>QTY.</u>	<u>REMARKS</u>
1	0162212024	BATTERY, 201-149 12N24-3	1	
2	W7905458103	BATTERY BAND	1	
3	A5344200004	BATTERY BOLT	2	
4	0037806000	WING NUT	2	
5	0040006000	WASHER, SPRING	2	
6	952404470	WASHER, FLAT	2.....	REPLACES P/N 0041206000
7	A5347000504	BATTERY CABLE	1	
7A	D1343200604	TERMINAL CAP	1	
8	A5347000004	BATTERY CABLE	1	
8A	Y0602220643	TERMINAL CAP	1	

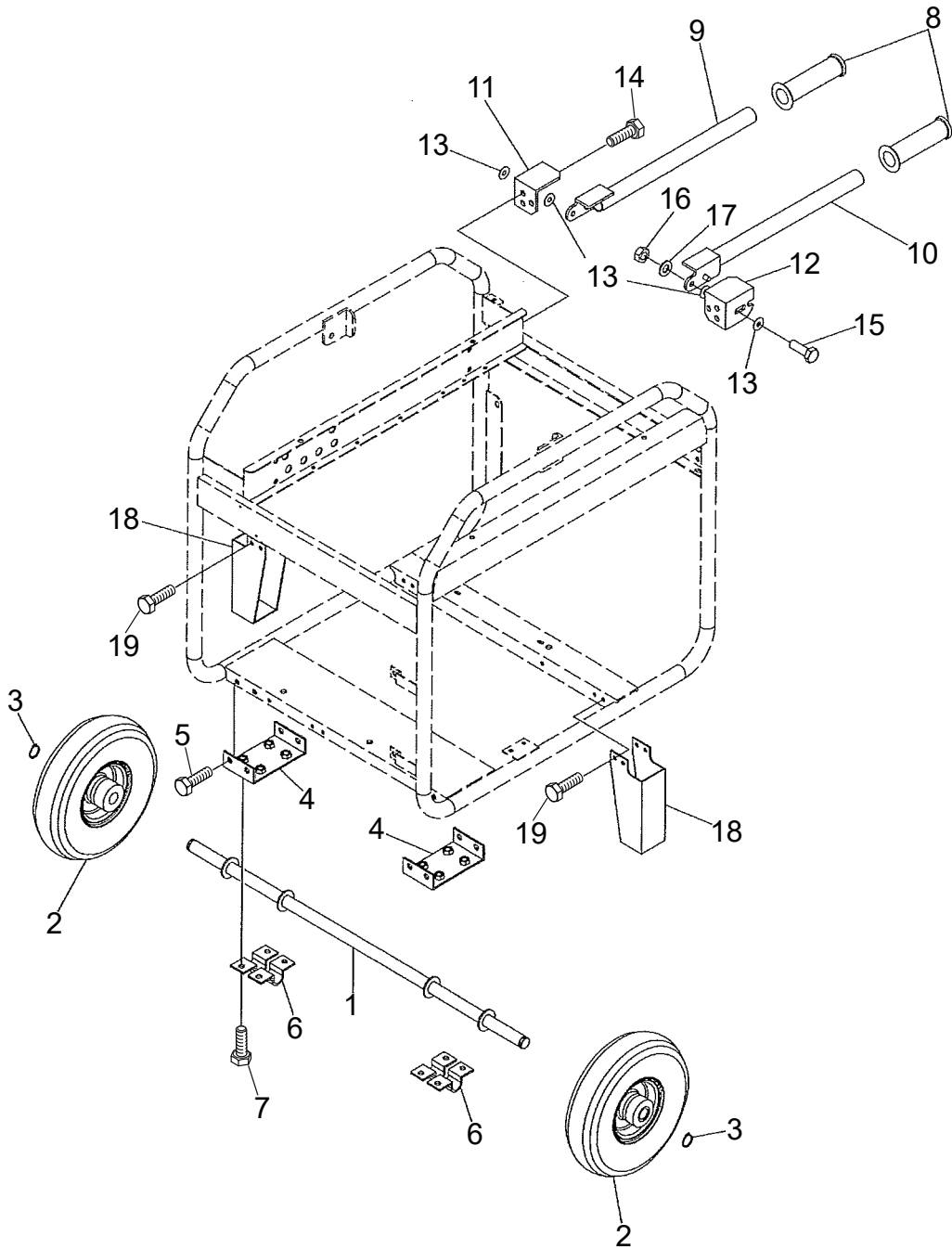
GA6HR/GA6HRS — MUFFLER ASSY.



GA6HR/GA6HRS — MUFFLER ASSY.

<u>NO.</u>	<u>PART NO.</u>	<u>PART NAME</u>	<u>QTY.</u>	<u>REMARKS</u>
1	7912310003	MUFFLER, GA6HR	1.....	S/N 5873856 AND BELOW
1	7912310003	MUFFLER, GA6HRS	1.....	S/N 5873796 AND ABOVE
1	7912310013	MUFFLER, GA6HR.....	1.....	S/N 5873857 AND ABOVE
1	7912310013	MUFFLER, GA6HRS	1.....	S/N 5873797 AND ABOVE
2	18320ZC2000	PROTECTOR	1	
3	18325ZB4000	PROTECTOR	1	
4	18329ZB4000	SEAL	2	
5	18355ZB4630	ARRESTOR, SPARK	1	
6	90002ZE2U91	TAPPING SCREW	1	
7	0105050616	HEX. HEAD BOLT	5.....	REPLACES P/N 0017106012
8	18333ZB4801	GASKET	1	
9	957010802000	HEX. HEAD BOLT	2	
10	7905461004	BRACKET	1	
11	011008020	HEX. HEAD BOLT	1.....	REPLACES P/N 0017108020
12	7905460004	BRACKET	1	
13	011208025	HEX. HEAD BOLT	2.....	REPLACES P/N 0017108025
14	020108060	HEX. NUT	2.....	REPLACES P/N 0207008000
15	011008020	HEX. HEAD BOLT	2.....	REPLACES P/N 0017108020
16	7905469004	BRACKET	1	
17	011206020	HEX. HEAD BOLT	1.....	REPLACES P/N 0017106020
18	020108060	HEX. NUT	1.....	REPLACES P/N 0207008000
19	0105050616	HEX. HEAD BOLT	4.....	REPLACES P/N 0017106012

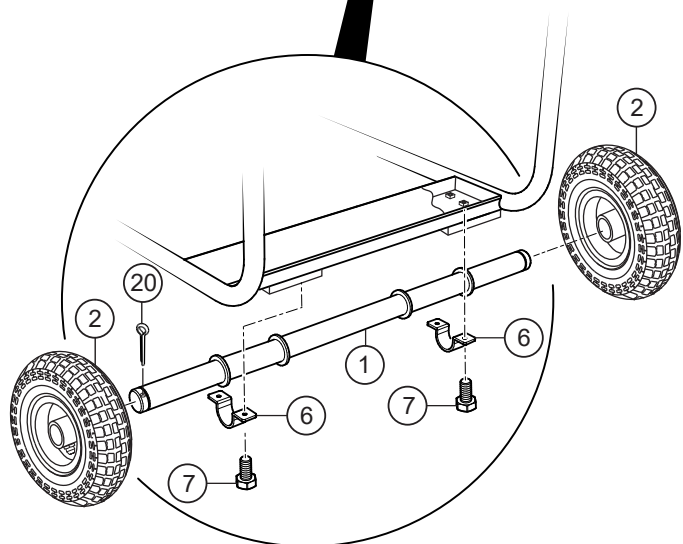
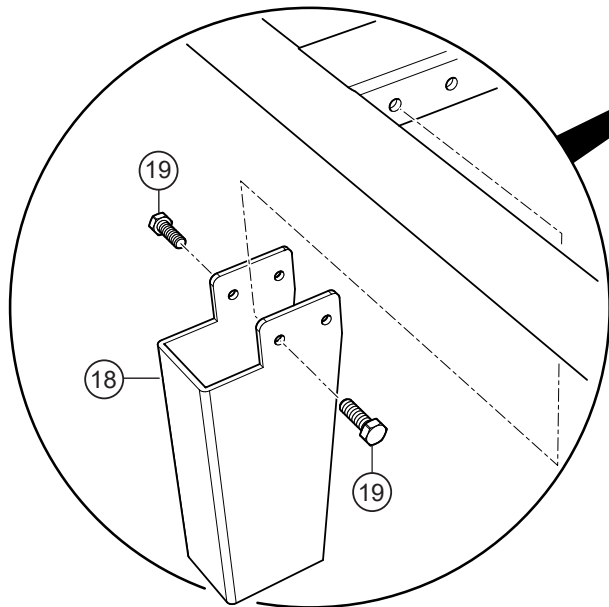
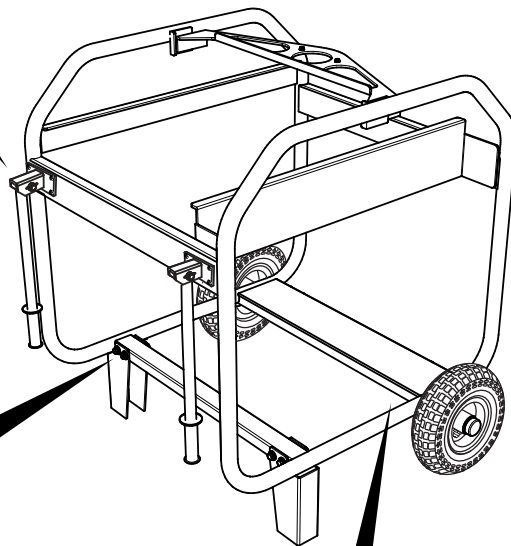
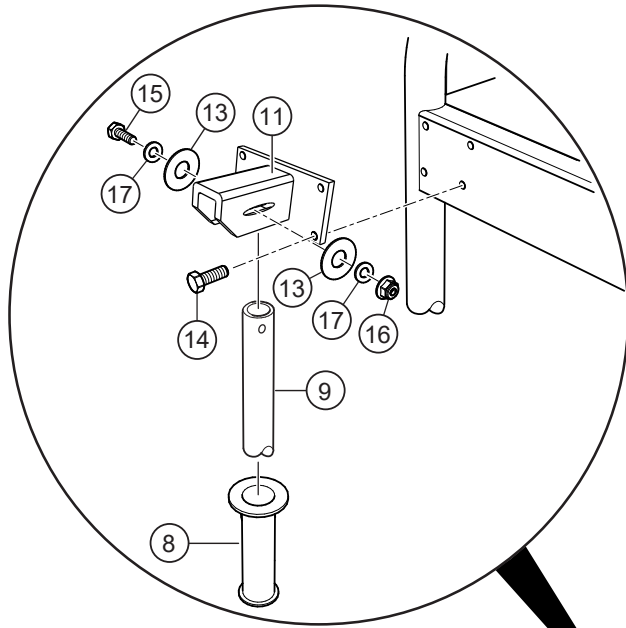
WHEEL KIT ASSY. GA6HR (S/N~5768990)/GA6HRS (S/N~5768960)



WHEEL KIT ASSY. GA6HR (S/N~5768990)/GA6HRS (S/N~5768960)

<u>NO.</u>	<u>PART NO.</u>	<u>PART NAME</u>	<u>QTY.</u>	<u>REMARKS</u>
1	A3417400303	AXLE	1	
2	Y0605802053	TIRE ASSY.	2	
3	Y0080000020	SNAP RING	2	
4	A3417400404	BRACKET	2	
5	011008020	HEX. HEAD BOLT	8.....	REPLACES P/N 0016908020
6	L0120236304	BRACKET, BRAKE SHAFT	4	
7	011008020	HEX. HEAD BOLT	8.....	REPLACES P/N 0016908020
8	W0805003103	GRIP	2	
9	A3417400704	HANDLE	1	
10	A3417400804	HANDLE	1	
11	A3417401304	BRACKET, HANDLE	1	
12	A3417401404	BRACKET, HANDLE	1	
13	0601851116	WASHER	4	
14	0012308020	HEX. HEAD BOLT	6	
15	0010108025	HEX. HEAD BOLT	2	
16	0207608000	U-NUT	2	
17	0401450080	WASHER, FLAT	2.....	REPLACES P/N 0041208000
18	A3417400904	STAND	2	
19	011106015	HEX. HEAD BOLT	8.....	REPLACES P/N 0016906015

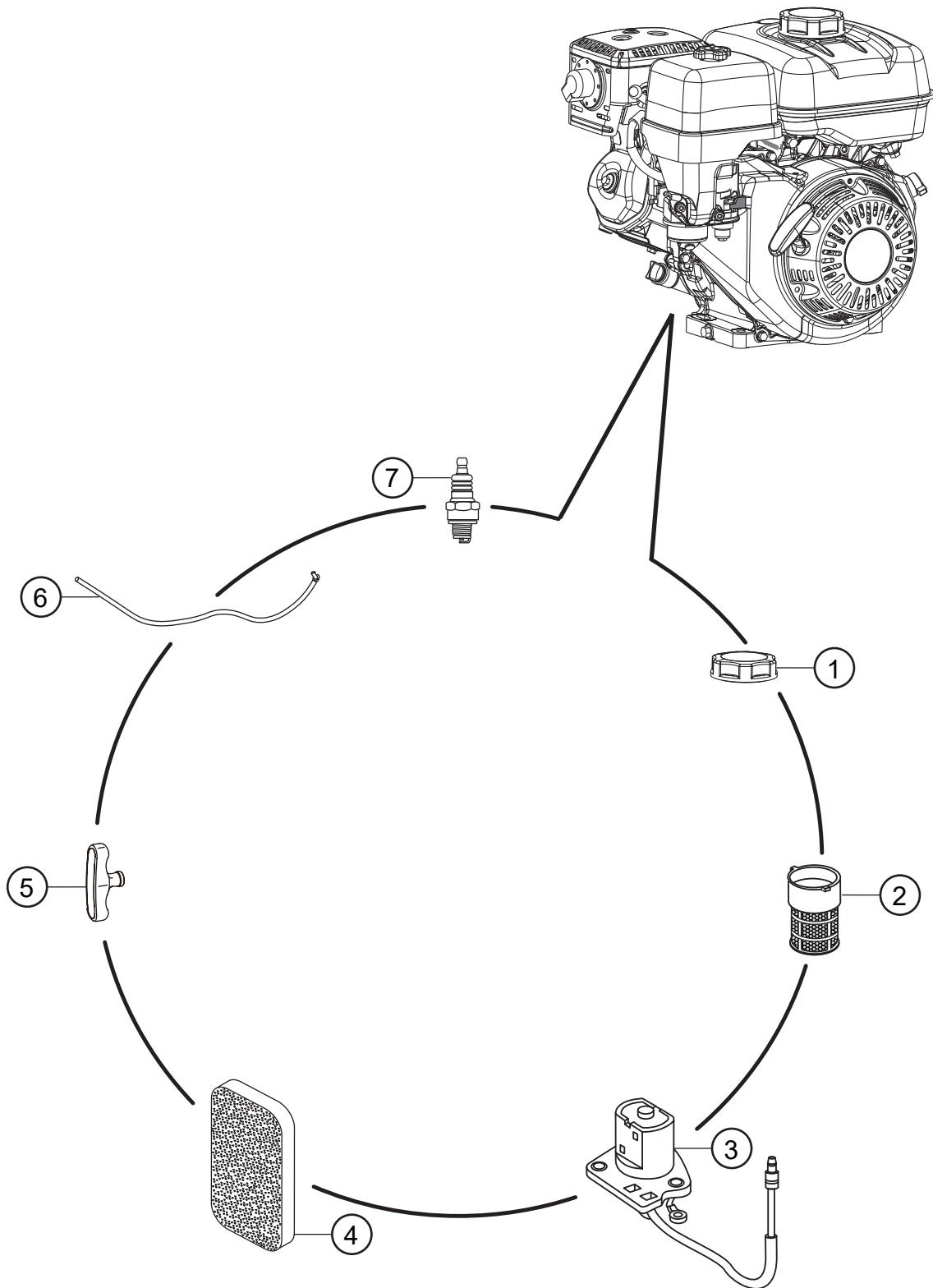
WHEEL KIT ASSY. GA6HR (S/N 5768991~)/GA6HRS (S/N~5768961)



WHEEL KIT ASSY. GA6HR (S/N 5768991~)/GA6HRS (S/N~5768961)

NO.	PART NO.	PART NAME	QTY.	REMARKS
1	A3417400313	AXLE	1	
2	Y0605802053	TIRE ASSY.	2	
6	A3417401804	BRACKET	2	
7	011008020	HEX. HEAD BOLT	4.....	REPLACES P/N 0016908020
8	W0805003103	GRIP	2	
9	A3417401504	HANDLE	2	
11	A3417401604	BRACKET, HANDLE	2	
13	0601851116	WASHER	4	
14	0012308020	HEX. HEAD BOLT	8	
15	0010108050	HEX. HEAD BOLT	2	
16	0207608000	U-NUT	2	
17	0401450080	WASHER, FLAT	4.....	REPLACES P/N 0041208000
18	A3417400904	STAND	2	
19	011106015	HEX. HEAD BOLT	8.....	REPLACES P/N 0016906015
20	0050004035	SPLIT PIN	2	

ENGINE SERVICE PARTS



ENGINE SERVICE PARTS

<u>NO.</u>	<u>PART NO.</u>	<u>PART NAME</u>	<u>QTY.</u>	<u>REMARKS</u>
1	0430430120	CAP, FUEL TANK, GA6HR.....	1.....	S/N 5859198 AND BELOW
1	0430430120	CAP, FUEL TANK, GA6HRS	1.....	S/N 5857232 AND BELOW
1	A2361000304	CAP, FUEL TANK, GA6HR.....	1.....	S/N 5859199 AND ABOVE
1	A2361000304	CAP, FUEL TANK, GA6HRS	1.....	S/N 5857233 AND ABOVE
2	0641360030	FUEL FILTER.....	1.....	REPLACES P/N 0605505162
3	35480ZF6003	OIL LEVEL SENSOR	1	
4	17211899000	ELEMENT, AIR CLEANER	1	
5	28461Z5T305	GRIP, STARTER	1	
6	28462ZV7003	ROPE, RECOIL STARTER	1	
7	9807955876	SPARK PLUG	1	