

PARTS AND OPERATION MANUAL



ESSICK

PLASTER/MORTAR MIXERS

EM-900S

EM-900P

Revision #7 (06/26/01)

Here's How To Get Help 3
Table Of Contents 4
Parts Ordering Procedures 5
Rules for Safe Operation & Safety Decals 6
Warranty 7

ESSICK — 900S & 900P

Operations 8-11
Specifications 12
Explanation Of Codes In Remarks Column 14
Suggested Spare Parts 15
Drum Head Assembly 16-17
Paddle Shaft Assembly 18-19
Steel Drum (S) 20-21
Polyethylene Drum (P) 22-23
Gas Engines, Pulleys & Cab Assembly 24-25
Electric Motor & Pulleys 26-27
Axle & Wheel Group 28-29

Terms and Conditions Of Sale — Parts 30

EM-900S & 900P — SUGGESTED SPARE PARTS

EM-900 S/P

1 to 3 Units

Qty.	P/N	Description
3	EM505834	V-BELT
3	491115	V-BELT, w/ELECTRIC MOTOR
6	491010	LATCH w/ASSY
3	EM200863	BLADE KIT STEEL DRUM
3	EM204625	BLADE KIT POLY DRUM
12	EM200301	PACKING RING
4	EM200794	SPRING
4	EM200286	SPECIAL BOLT
1	3351	PINION GEAR

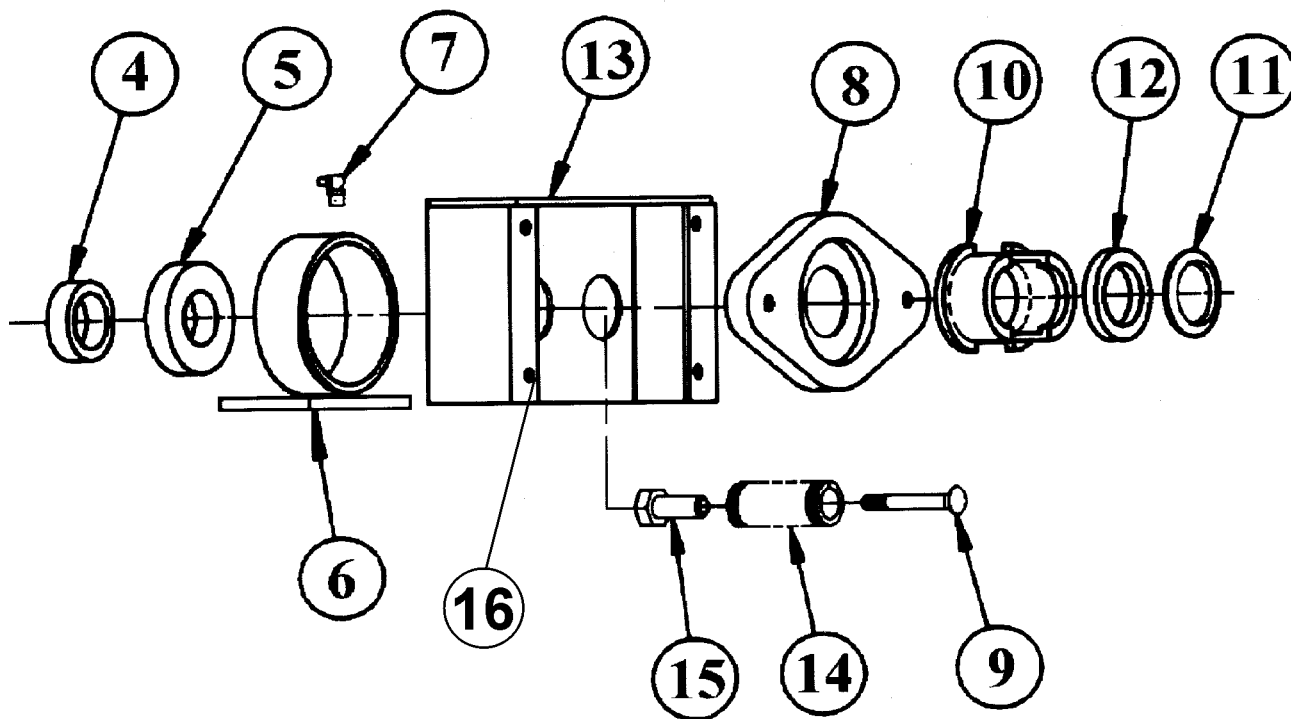
EM-900 S/P

5+ Units

Qty.	P/N	Description
5	EM505834	V-BELT
5	491115	V-BELT, w/ELECTRIC MOTOR
10	491010	LATCH w/ASSY
5	EM200863	BLADE KIT STEEL DRUM
5	EM204625	BLADE KIT POLY DRUM
24	EM200301	PACKING RING
8	EM200794	SPRING
8	EM200286	SPECIAL BOLT
2	EM902153	BEARING
1	EM940734	SWITCH, ON/OFF
1	509171	DUMP HANDLE: POLY DRUM
2	3351	DRIVEN PINON GEAR
1	EM201537	DUMP HANDLE, STEEL DRUM
2	3065	SEAL, AXLE
2	3469	DUST CAP AXLE
2	EM903049	BEARING CONE UP TO S/N 9896000
2	EM903113	BEARING CONE STARTING S/N 2080000
2	EM903012	BEARING CUP

NOTE

Part numbers on this Suggested Spare Parts List may supercede/replace the P/N shown in the text pages of this book.

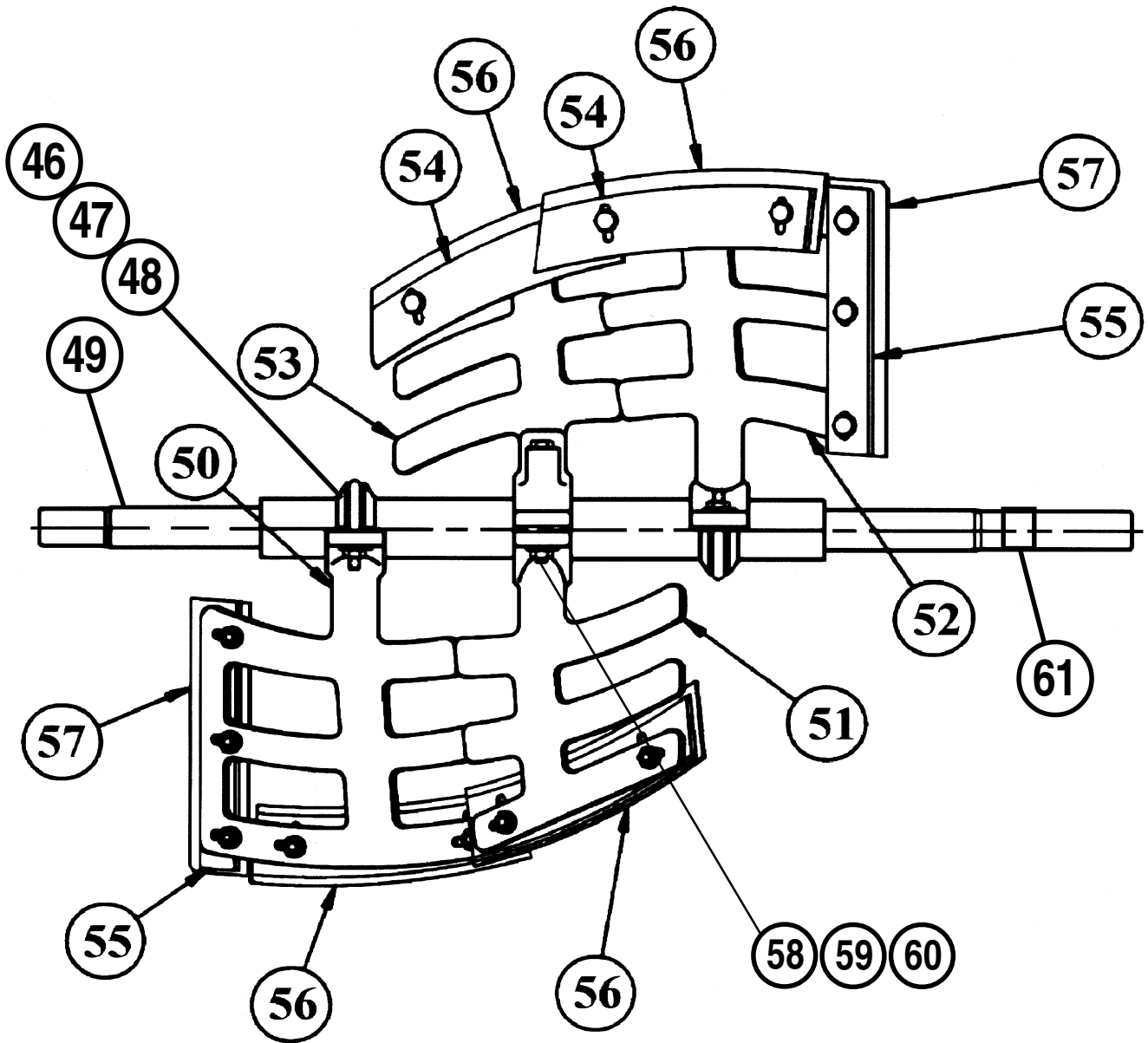


EM-900S & 900P — DRUM HEAD ASSEMBLY

DRUM HEAD ASSEMBLY

DRUM HEAD

<u>NO.</u>	<u>PART NO.</u>	<u>PART NAME</u>	<u>QTY.</u>	<u>REMARKS</u>
4	EM200018	COLLAR	1	
5	EM902153	BEARING	2	
6	EM507720	DUMP BEARING	2	STARTING S/N 98624090
6	500076	DUMP BEARING	2	FROM S/N 9862400 TO 9862489
7	EM916019	GREASE ZERK	2	REPLACES 491705
8	EM200288	ADJUSTING PLATE	2	
9	EM200286	SPECIAL BOLT	4	
10	EM200285	PACKING GLAND HALF	4	
11	EM200303	FOLLOWER	2	
12	EM200301	PACKING RING	12	
13	EM201648	DRUM HEAD	2	STARTING S/N 98624090
13	EM507272	DRUM HEAD	2	FROM S/N 9862400 TO 9862489
14	EM200794	SPRING	4	
15	EM200287	ADJUSTING NUT	4	
16	EM966048	BOLT	8	



TOW END

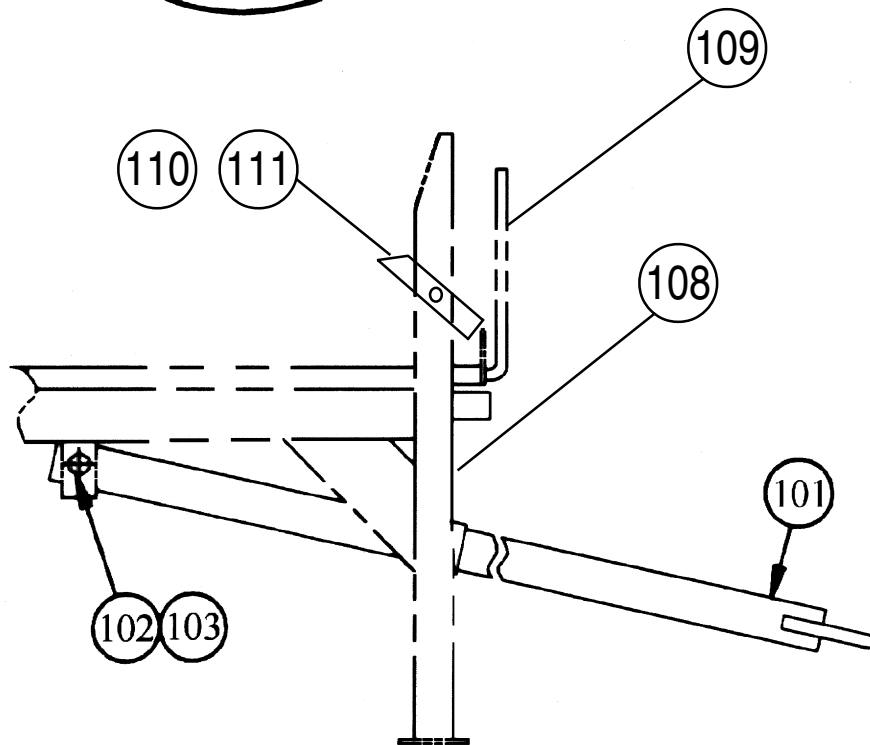
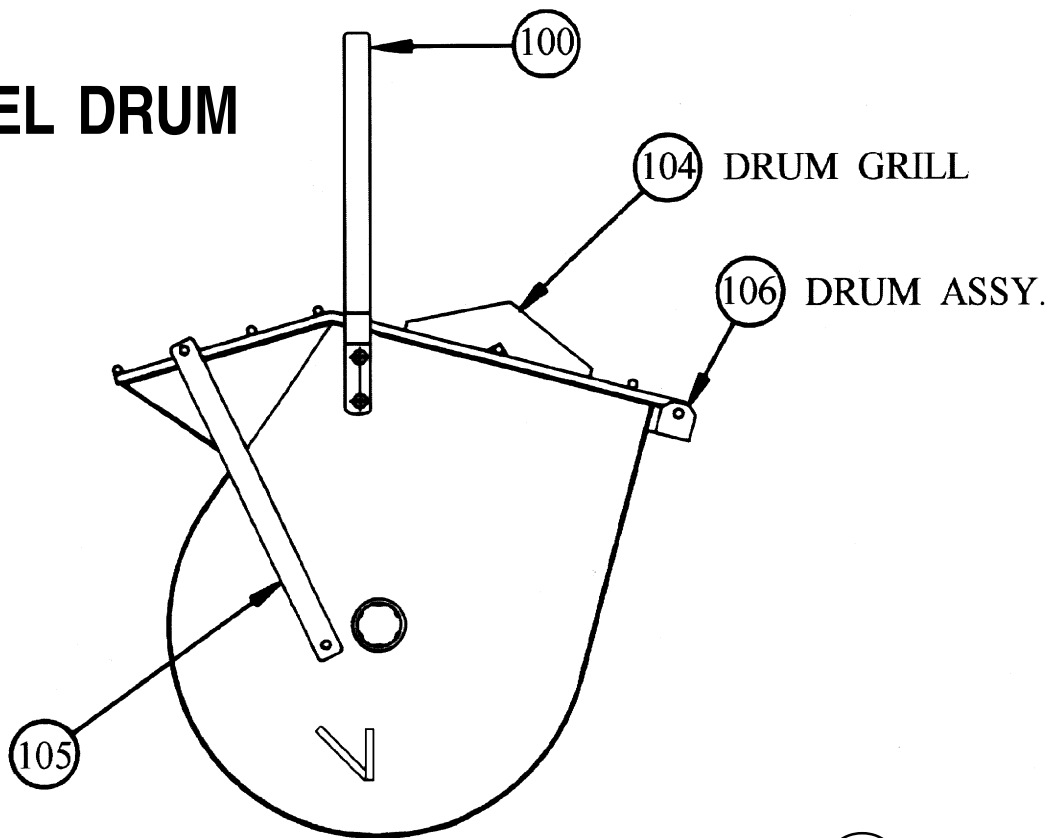
EM-900S, 900P — PADDLE SHAFT ASSEMBLY

PADDLE SHAFT ASSEMBLY

<u>NO.</u>	<u>PART NO.</u>	<u>PART NAME</u>	<u>QTY.</u>	<u>REMARKS</u>
46	EM200297	U-BOLT	2	
47	EM968011	NUT HEX ½-13	4	
48	EM200292	U-BOLT INSERT	4	
49	EM507274	PADDLE SHAFT		
50	EM200293	PADDLE ARM-TOW END	1	
51	EM200294	PADDLE ARM-CENTER	1	
52	EM200296	PADDLE ARM-ENGINE END	1	
53	EM200295	PADDLE ARM-CENTER	1	
54*#	EM203432	CENTER BACK-UP BLADE	4	
55*#	EM203433	END BACK-UP BLADE	2	
56*	EM200212	TOP RUBBER BLADE (STEEL) DRUM ONLY	4	
56#	EM507519	TOP PLASTIC BLADE (POLY) DRUM ONLY	4	
57*	EM200213	END RUBBER BLADE (STEEL) DRUM ONLY	2	
57#	EM507518	END PLASTIC BLADE (POLY) DRUM ONLY	2	
58	EM963837	BOLT ½"-13 X 5-½"	1	
59	6109180	LOCK WASHER ½"	1	REPLACES EM923638
60	EM968011	HEX NUT ½"-13	1	
61	EM507251	SPACER, BULL GEAR	1	
	EM200863	BLADE KIT, (STEEL) DRUM ONLY	1	INCLS ITEMS w/* AND MTG. HDWR
	EM204625	BLADE KIT, (POLY) DRUM ONLY	1	INCLS ITEMS w/# AND MTG. HDWR
	EM203028	HARDWARE KIT, (RUBBER/POLY BLADES)	1	INCLUDED IN BLADE KITS

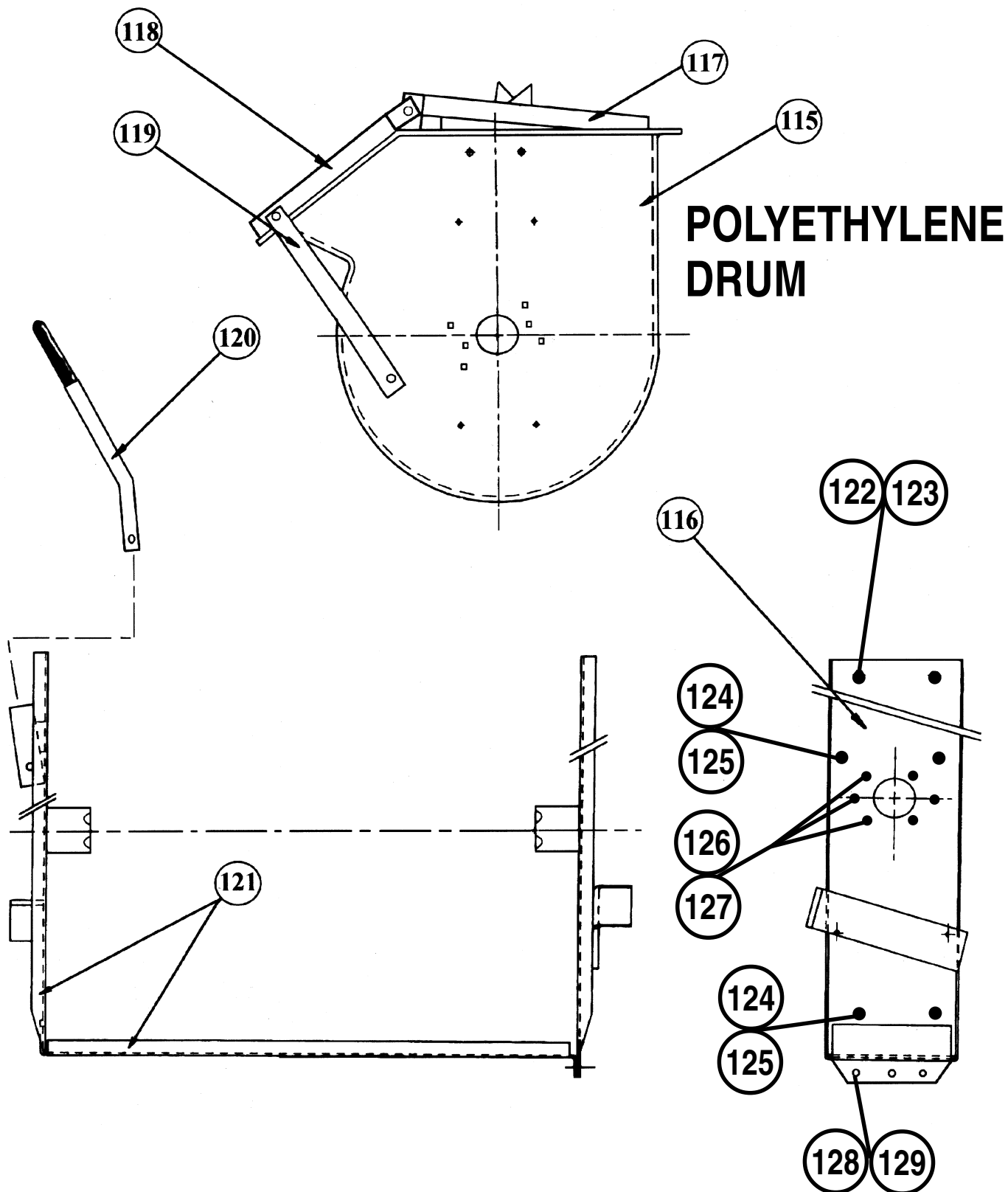
REFER TO PAGES 14 & 15 FOR DRUM HEAD BREAKDOWN

STEEL DRUM



STEEL DRUM

<u>NO.</u>	<u>PART NO.</u>	<u>PART NAME</u>	<u>QTY.</u>	<u>REMARKS</u>
100#	EM201537	DUMP HANDLE	1	
101	EPC-1	TOWING TONGUE (P. EYE)	1	NO LONGER AVAILABLE
101	EBC-1	TOWING TONGUE (PIN HOLE)	1	CONTACT MQ SALES DEPT./ACCESSORY ITEM
101	HBC-1	TOWING TONGUE (BALL HITCH)	1	CONTACT MQ SALES DEPT./ACCESSORY ITEM
102	EM963580	CAP SCREW	1	REPLACES 505067
103	EM969038	LOCK NUT	1	REPLACES 505069
104#	EM203332	DRUM GRILL	1	
105#	EM507484	GRILL OPEN BAR	1	
106%	EM507765	DRUM ASSY (STEEL)	1	INCLS. ITEMS w/#
	EM507766	DRUM & SHAFT ASSY (COMPLETE) (STEEL)	1	INCLS. ITEMS w/% AND DRUM HEAD & PADDLE SHAFT ASSY
108	EM506309	MAIN FRAME	1	
109	507264	CLUTCH LEVER	1	
110	EM507421	DUMP LATCH	1	
111	EM507835	CLEVIS PIN	1	
<input type="checkbox"/>	3148	SAFETY CHAIN	1	REPLACES 13363
<input type="checkbox"/>	01004	5/16" CONNECTOR LINK	2	
<input type="checkbox"/>	ILLUSTRATED ON PAGE 10			

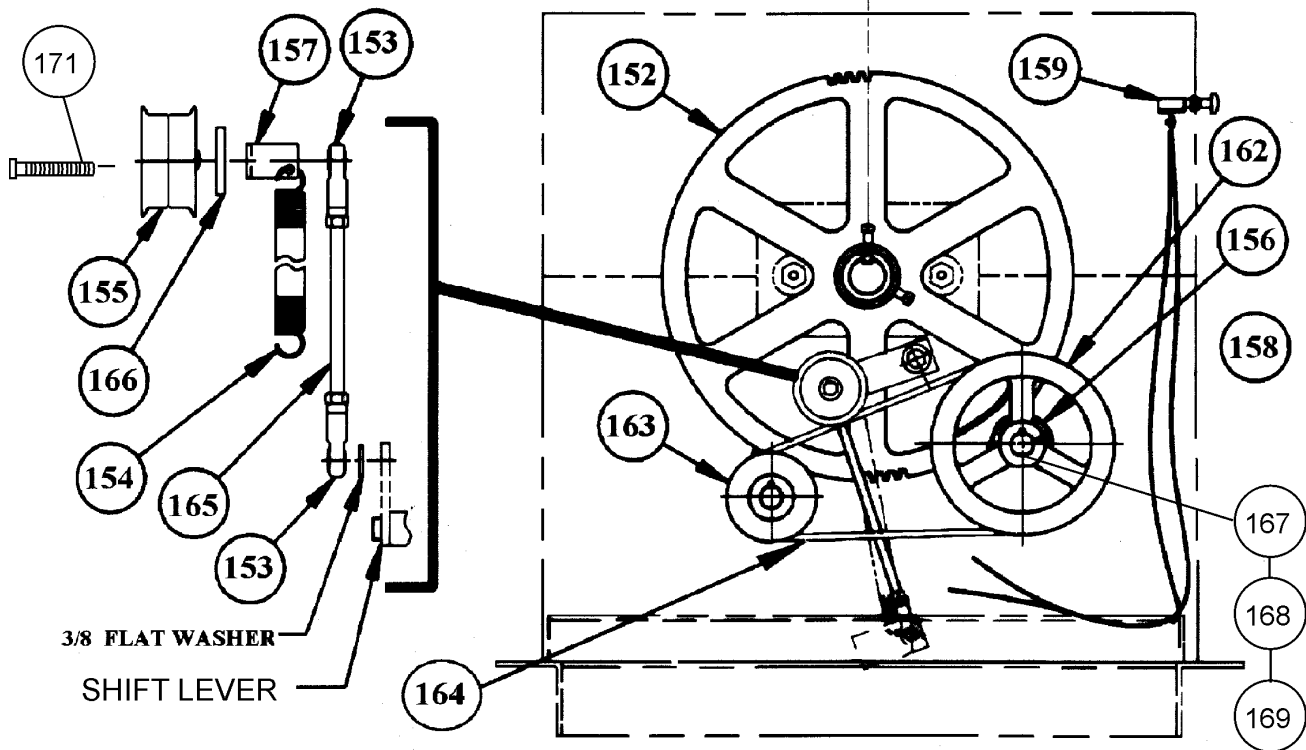
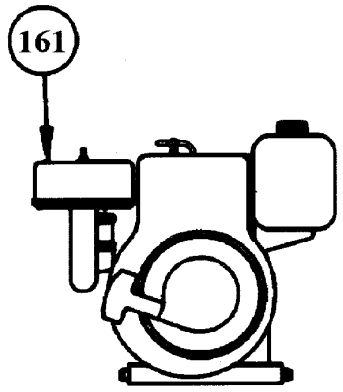
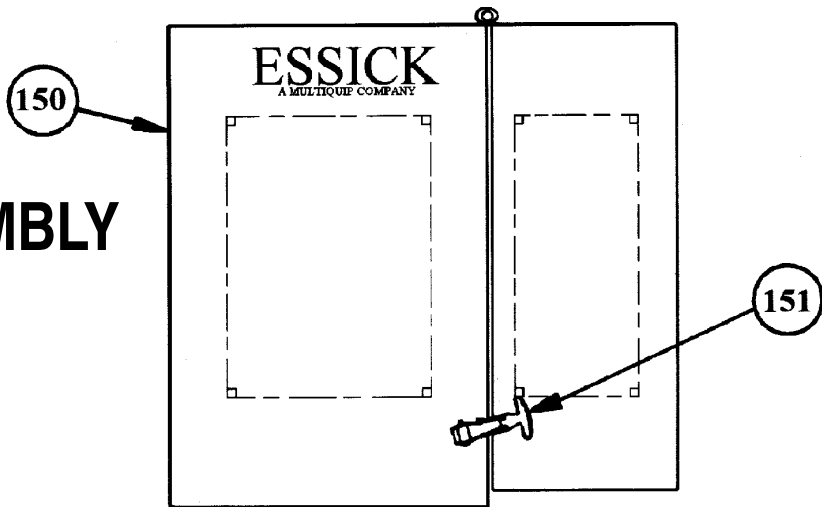


EM-900P — POLYETHYLENE DRUM

POLYETHYLENE DRUM

<u>NO.</u>	<u>PART NO.</u>	<u>PART NAME</u>	<u>QTY.</u>	<u>REMARKS</u>
115#	EM506310	PLASTIC DRUM W/O GRATES	1	
116	EM506897	SUPPORT REAR	1	
117#	507416	STATIONARY GRATE	1	
118#	507417	MOVEABLE GRATE	1	
119#	507517	GRATE OPEN BAR	1	
120#	509171	DUMP HANDLE	1	
121	EM506896	DRUM SUPPORT	1	
	EM509604	DRUM & SHAFT ASSY (COMPLETE) (POLY)	1	INCLS ITEMS W/# AND HEAD END & PADDLE SHAFT ASSY
122	EM963610	HHCS 3/8" NC X 1/4" G-5	7	REPLACES 492376
123	EM969013	LOCK NUT 3/8" NC	7	REPLACES 492583
124	5041987	FHCS 1/4" NC X 1" G-5	8	REPLACES 504987
125	EM969079	LOCK NUT 1/4" NC	8	REPLACES 492581
126	505196	3/8 X 1 1/2" HHCS	8	
127	505066	3/8" LOCKNUT	8	
128	492392	1/2" X 1 NC G-5 BOLT	3	
129	492584	1/2" LOCK NUT	3	

CAB ASSEMBLY



EM-900S & 900P — GAS ENGINES, PULLEYS & CAB ASSEMBLY

GAS ENGINES, PULLEYS & CAB ASSEMBLY

COMMON PARTS

<u>NO.</u>	<u>PART NO.</u>	<u>PART NAME</u>	<u>QTY.</u>	<u>REMARKS</u>
150	EM507159	CAB ASSEMBLY	1	
151	491010	LATCH ASSEMBLY	2	REPLACES 504744
152	EM505671	DRIVE GEAR 16-½ DIA.	1	
153	EM959080	ROD END	2	
154	EM102014	SPRING	1	
155	EM901515	IDLER PULLEY	1	
156	EM905016	PILLOW BLOCK BEARING	2	
157	EM203098	SPRING CLIP	1	
158	3351	DRIVEN PINION GEAR	1	REPLACES 500272
159	EM940734	SWITCH, ON/OFF	1	
167	502226	COUNTER SHAFT	1	
168	JISB2804C25	SNAP RINGS	2	REPLACES 490957
169	500214	KEY	1	
170	EM010023	KEY	1	
171	EM963064	BOLT 3/8 X16 X 3-1/4	1	

MODEL EM 900 w/HONDA

<u>NO.</u>	<u>PART NO.</u>	<u>PART NAME</u>	<u>QTY.</u>	<u>REMARKS</u>
161	GX240K1HA2	HONDA ENGINE GX240 K1HA 8HP	1	REPLACES 493261
161	GX160K1HX2	HONDA ENGINE GX160 5.5HP ENG.	1	
162	492057	DRIVEN PULLEY-LARGE	1	
163	EM901074	DRIVE PULLEY-SMALL 1" BORE-8HP HONDA	1	
163	492055	DRIVE PULLEY-5.5 HP HONDA	1	
164	EM505834	V-BELT	2	
165	EM507490	THREADED ROD	1	
166	EM507491	IDLER ARM	1	

MODEL EM900 w/WISCONSIN

<u>NO.</u>	<u>PART NO.</u>	<u>PART NAME</u>	<u>QTY.</u>	<u>REMARKS</u>
161	EM937171	WISCONSIN ENGINE BKN2-408472	1	REPLACES 505208
162	EM505204	DRIVEN PULLEY	1	
163	505205	DRIVE PULLEY	1	
164	507775	V-BELT	2	
165	EM507771	THREADED ROD	1	
166	EM203352	IDLER ARM	1	

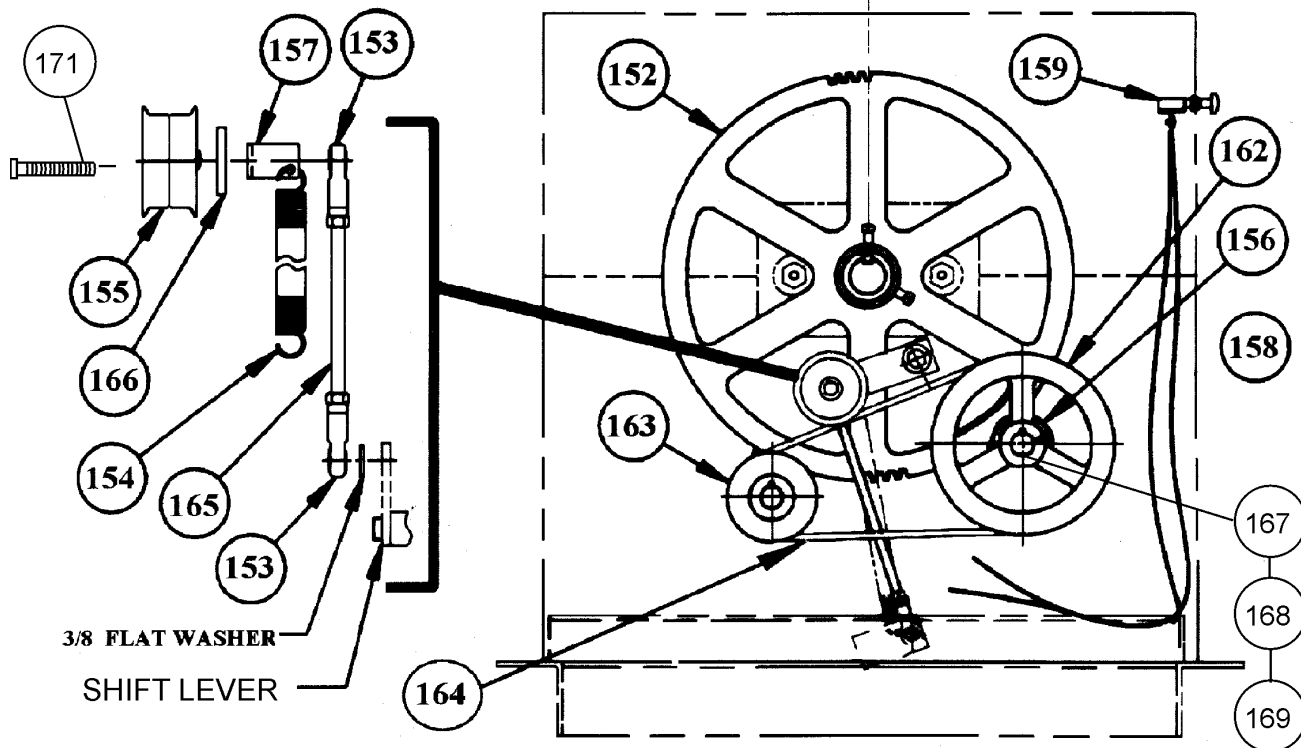
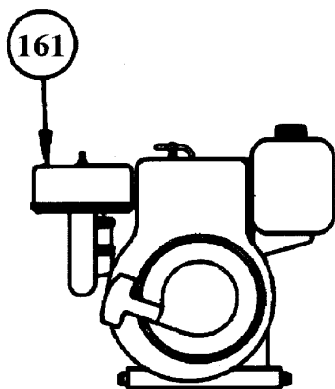
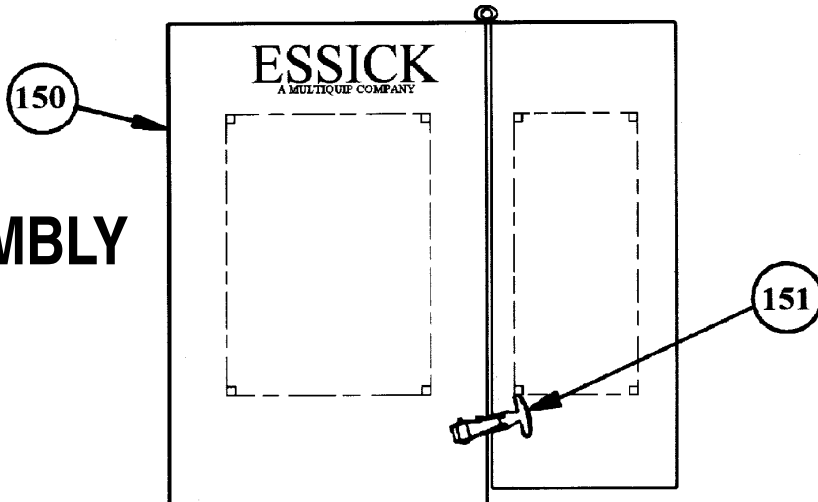
MODEL EM 900 w/ROBIN

<u>NO.</u>	<u>PART NO.</u>	<u>PART NAME</u>	<u>QTY.</u>	<u>REMARKS</u>
161	W1280800466	ROBIN ENGINE 8HP EY-28	1	UP TO OCTOBER, 1999
161	EH252YR0000	ROBIN ENGINE 8HP EH25-2	1	STARTING OCTOBER, 1999, REPLACES 493260
162	492057	DRIVEN PULLEY-LARGE	1	
163	492054	DRIVE PULLEY-SMALL	1	
164	EM505834	V-BELT	2	
165	EM507490	THREADED ROD	1	
166	EM203352	IDLER ARM	1	

MODEL EM-900 w/B&S

<u>NO.</u>	<u>PART NO.</u>	<u>PART NAME</u>	<u>QTY.</u>	<u>REMARKS</u>
161	1964521049	B&S ENGINE 8HP	1	REPLACES 493181
161	1352321036E1	B&S ENGINE 5HP	1	
162	492057	DRIVEN PULLEY-LARGE	1	
163	EM901074	DRIVE PULLEY-SMALL 1" BORE	1	
164	EM505834	V-BELT	2	
165	EM507490	THREADED ROD	1	
166	EM507491	IDLER ARM	1	

CAB ASSEMBLY



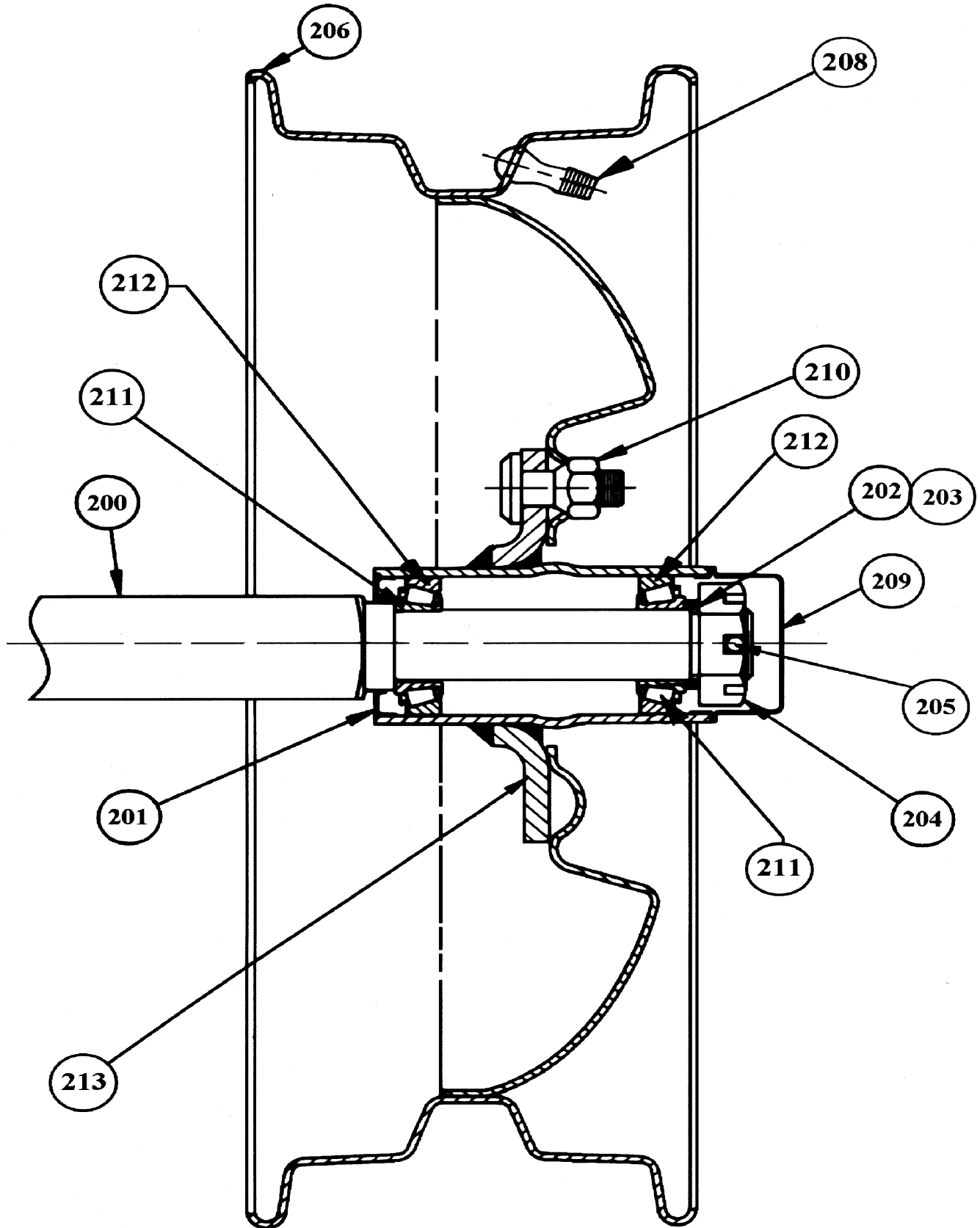
EM-900S & 900P — ELECTRIC MOTOR & PULLEYS

ELECTRIC MOTOR & PULLEYS

<u>NO.</u>	<u>PART NO.</u>	<u>PART NAME</u>	<u>QTY.</u>	<u>REMARKS</u>
161	EM939315	ELECTRIC MOTOR 3.0 H.P	1	
162	EM505204	DRIVEN PULLEY	1	
163	EM901513	DRIVE PULLEY	1	
164	491115	V-BELT	2	
165	EM507490	THREADED ROD	1	
166	EM507713	IDLER ARM	1	
	507715	GUIDE, V-BELT	1 NOT ILLUSTRATED

FOR COMMON PARTS SEE PAGE 25

EM-900S & 900P — AXLE & WHEEL GROUP



EM-900S & 900P — AXLE & WHEEL GROUP

WHEEL GROUP EM-700 & 900

<u>NO.</u>	<u>PART NO.</u>	<u>PART NAME</u>	<u>QTY.</u>	<u>REMARKS</u>
200	EM507407	AXLE, RIGID	1	UP TO S/N 98960000
200	511334	AXLE, RIGID	1	STARTING S/N 20800000
201*#	3065	SEAL	2	
202	504708	THICK SPACER	2	3/4" INSIDE DIAMETER
203	507444	THIN SPACER	2	3/4" INSIDE DIAMETER
204	3068	AXLE NUT	2	UP TO S/N 98960000
204	8164	AXLE NUT	2	STARTING S/N 20800000
205	0183	COTTER PIN	2	
206	3005	RIM & TIRE ONLY	2	
208	EM942000	VALVE STEM	1	REPLACES 942052
209*#	3469	DUST CAP	2	
210*#	8115	LUG NUT	8	
211*	EM903049	BEARING CONE	2	UP TO S/N 98960000
211#	EM903113	BEARIING CONE	2	STARTING S/N 20800000
212*#	EM903012	BEARING CUP	2	
213	3504	HUB W/ BEARING CUP	2	UP TO S/N 98960000, INCLUDES ITEM w/*
213	EM941306	HUB W/ BEARING CUP	2	STARTING S/N 20800000, INCLUDES ITEM w/#