

# PARTS AND OPERATION MANUAL



## **PLASTER/MORTAR MIXERS** **EM-120PM (Poly-Mechanical)**

Revision #4 (05/24/05)

# TABLE OF CONTENTS

Here's How To Get Help ..... 3  
Table Of Contents ..... 4  
Parts Ordering Procedures ..... 5  
Operation and Safety Decals ..... 6  
Rules For Safe Operation ..... 7-8  
Specifications ..... 9  
General Information ..... 10

## **Essick — Plaster/ Mortar Mixer**

Controls ..... 11  
Electric Motor ..... 12  
Towing ..... 13  
Paddle Blade Adjustment ..... 14  
Initial Start-Up ..... 15-16  
Maintenance ..... 17-18  
Troubleshooting (Engine) ..... 19  
Troubleshooting (Engine/Mixer) ..... 20  
Explanation Of Codes In Remarks Column ..... 22  
Suggested Spare Parts ..... 23  
Engine Side Paddle Assembly ..... 24-25  
Tow Side Paddle Assembly ..... 26-27  
Paddle Shaft Assembly ..... 28-29  
Polyethylene Drum Assembly ..... 30-31  
Cab Assembly ..... 32-33  
Frame, Wheel, Tire and Hub Assembly ..... 34-35  
Name Plate and Decals ..... 36-37

## **Engines**

Wisconsin Engine Assembly ..... 38-39  
Honda Engine Assembly ..... 40-41

## **Motor**

Electric Motor Assembly ..... 42-43

## **Transmissions**

Transmission Assembly ..... 44-45

Terms and Conditions Of Sale — Parts ..... 46

# EM-120PM— SUGGESTED SPARE PARTS

## **EM-120PM 1 TO 3 UNITS**

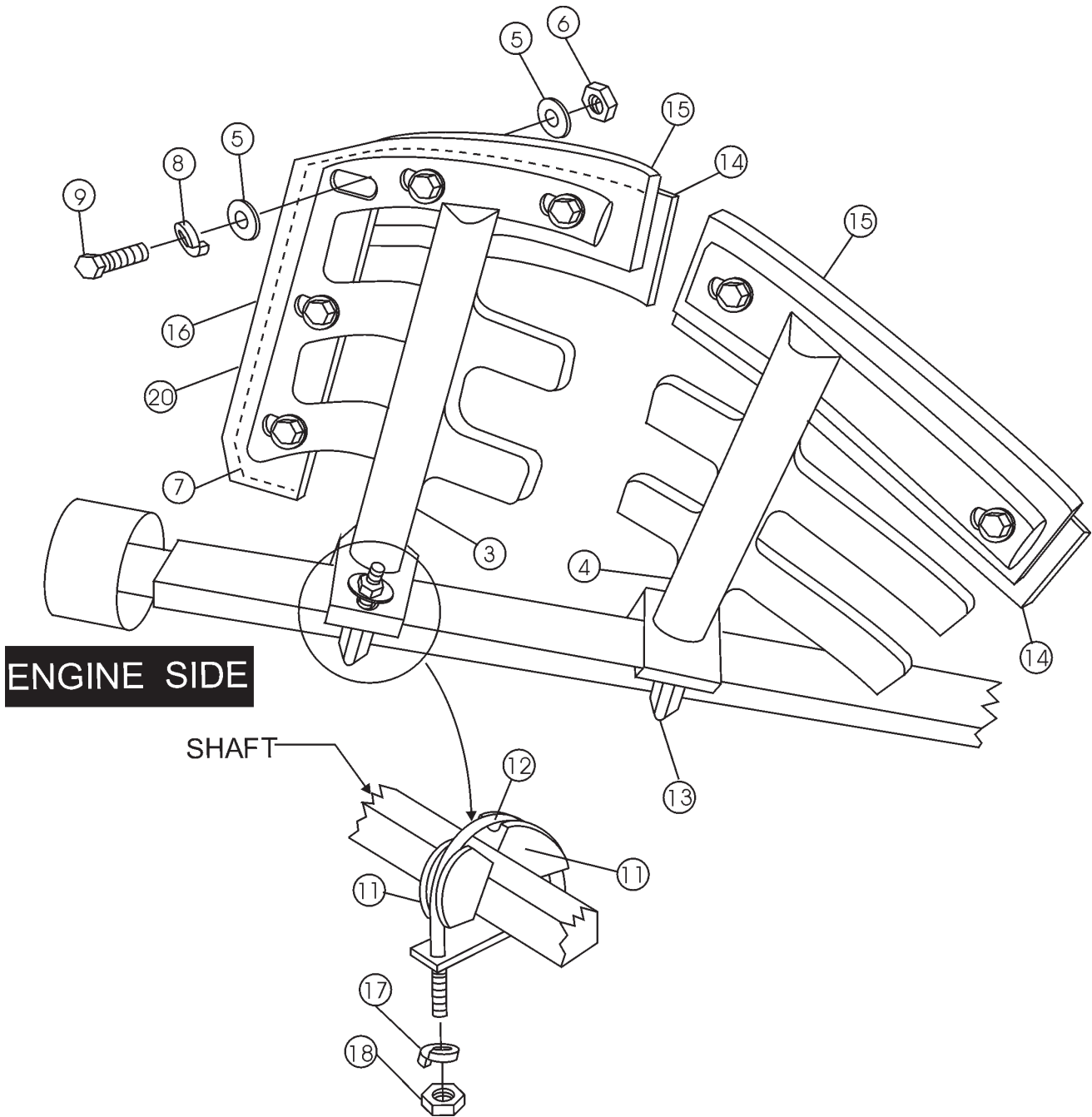
<b>Qty.</b>	<b>P/N</b>	<b>Description</b>
6	491010	RUBBER LATCH ASSY.
1	EM200293	PADDLE ARM TOW SIDE
1	EM200294	PADDLE ARM CENTER TOW SIDE
1	EM200295	PADDLE ARM CENTER ENGINE SIDE
1	EM200296	PADDLE ARM ENGINE SIDE
3	EM200863	RUBBER BLADE KIT (STEEL DRUM)
3	EM204625	RUBBER BLADE KIT (PLASTIC DRUM)
2	EM200297	U-BOLT
2	EM200268	U-BOLT
2	3530	PADDLE SHAFT, SEAL KIT
2	EM902153	BEARING, PADDLE SHAFT
3	EM963157	CONNECTOR BOLT
1	EM934041	CLUTCH, DRIVEN MEMBER

## **EM-120PM 5 TO 10 UNITS**

<b>Qty.</b>	<b>P/N</b>	<b>Description</b>
10	491010	RUBBER LATCH ASSY.
2	EM200293	PADDLE ARM TOW SIDE
2	EM200294	PADDLE ARM CENTER TOW SIDE
2	EM200295	PADDLE ARM CENTER ENGINE SIDE
2	EM200296	PADDLE ARM ENGINE SIDE
6	EM200863	RUBBER BLADE KIT (STEEL DRUM)
3	EM204625	RUBBER BLADE KIT (PLASTIC DRUM)
4	EM200297	U-BOLT
4	EM200268	U-BOLT
4	3530	PADDLE SHAFT, SEAL KIT
4	EM902153	BEARING, PADDLE SHAFT
5	EM963157	CONNECTOR BOLT
2	EM934041	CLUTCH, DRIVEN MEMBER

# EM-120PM — ENGINE SIDE PADDLE ASSY.

ENGINE SIDE PADDLE ASSY.



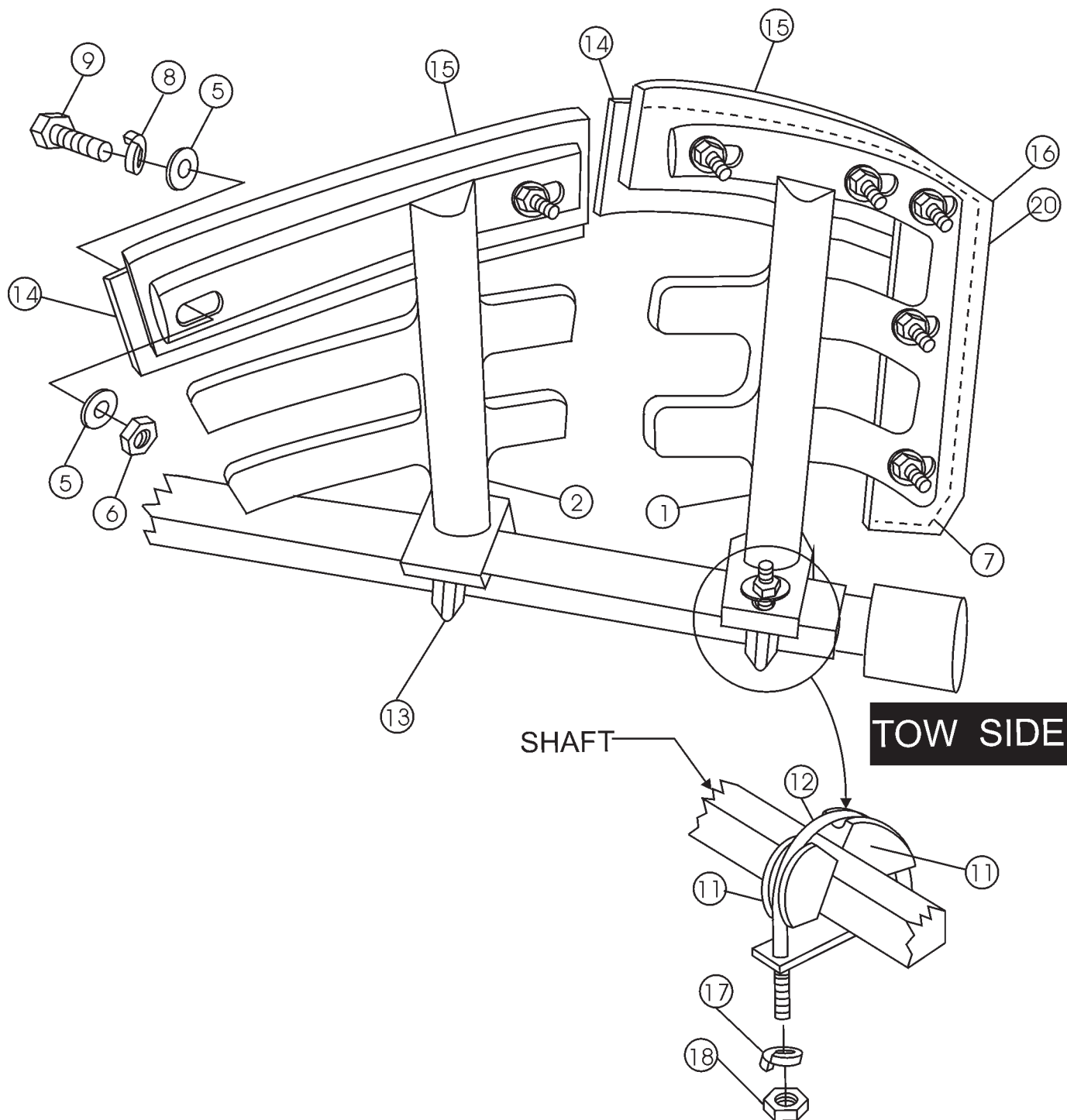
# EM-120PM — ENGINE SIDE PADDLE ASSY.

ENGINE SIDE PADDLE ASSY.

<u>NO</u>	<u>PART NO</u>	<u>PART NAME</u>	<u>QTY.</u>	<u>REMARKS</u>
3	EM200296	PADDLE ARM ENGINE SIDE	1	
4	EM200295	PADDLE ARM CENTER ENGINE SIDE	1	
5	0300B	FLAT WASHER 5/16	14	
6	0161D	HEX NUT 5/16	7	
7#	EM203433	END METAL BACK-UP BLADE	1	
8	0161C	LOCK WASHER 5/16	7	
9	1207	HHCS 5/16-18 1 3/4"	7	
11	EM200292	PADDLE ARM INSERT CASTING	4	
12	EM200297	END PADDLE U-BOLT	1	
13	EM200268	CENTER PADDLE J-BOLT	1	
14#	EM203432	CENTER BACK-UP BLADE	2	
15#	EM507519	TOP PLASTIC BLADE .....	2	POLYETHYLENE DRUM ONLY
16#	EM507518	END PLASTIC BLADE .....	1	POLYETHYLENE DRUM ONLY
17	5054A	LOCK WASHER 1/2"	4	
18	968011	HEX NUT 1/2-13	4	
19	EM204625	BLADE KIT, (POLY DRUM ONLY) .....	1	INCLUDES ITEMS W/# AND MTG. HDW.
20	EM200213	END RUBBER BLADE	1	
	EM203028	HDW. KIT (FOR RUBBER OR POLY BLADE) .....	1	INCLUDED IN BLADE KIT

# EM-120PM — TOW SIDE PADDLE ASSY.

TOW SIDE PADDLE ASSY.

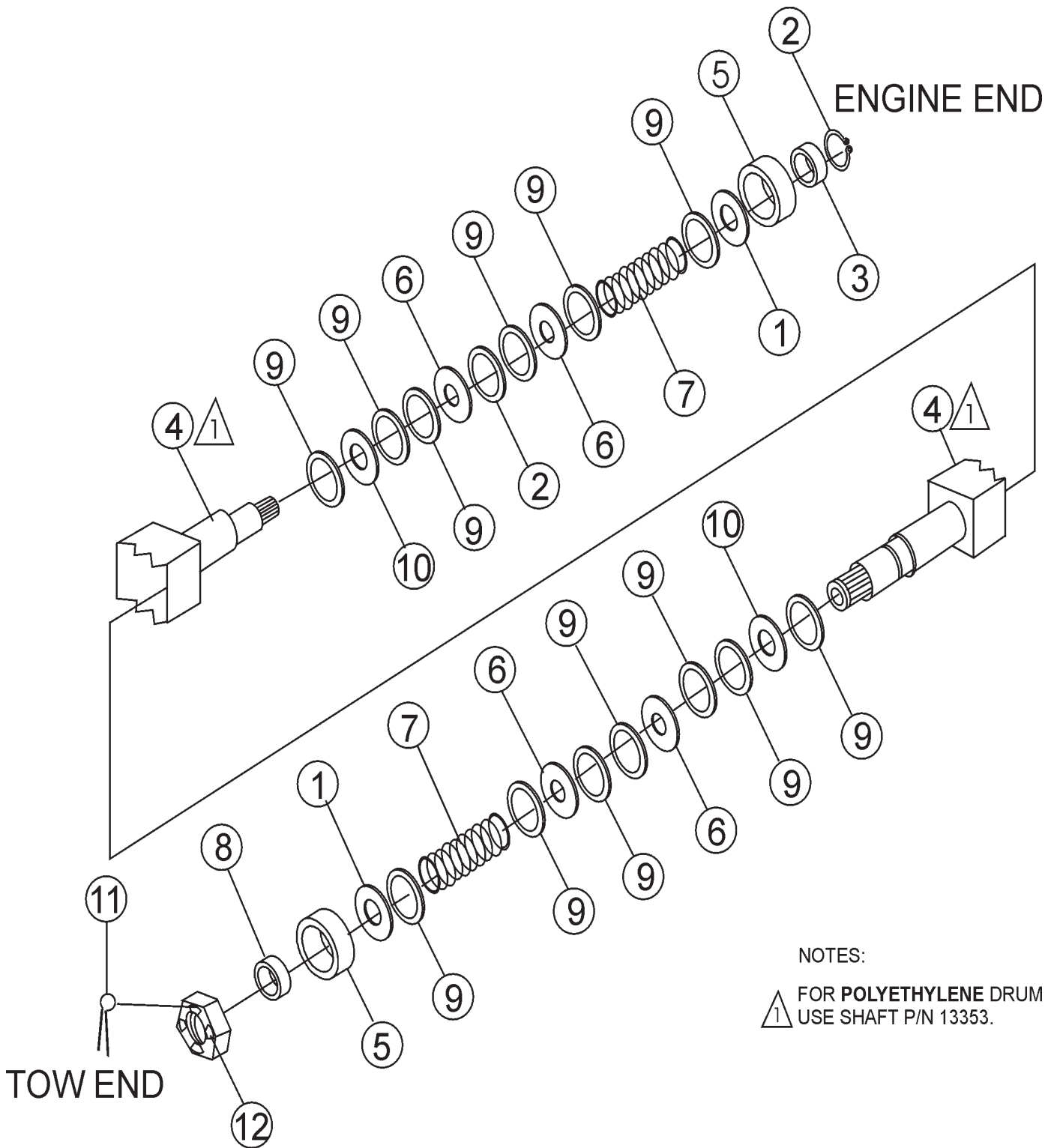


# EM-120PM — TOW SIDE PADDLE ASSY.

TOW SIDE PADDLE ASSY.

<b>NO</b>	<b>PART NO</b>	<b>PART NAME</b>	<b>QTY.</b>	<b>REMARKS</b>
1	EM200293	PADDLE ARM TOW SIDE .....	1	INCLUDES S/N 72395319
2	EM200294	PADDLE ARM CENTER TOW SIDE	1	
5	0300B	FLAT WASHER 5/16	14	
6	0161D	HEX NUT 5/16	7	
7#	EM203433	END METAL BACK-UP BLADE	1	
8	0161C	LOCK WASHER 5/16	7	
9	1207	HHCS 5/16-18 1 3/4"	7	
11	EM200292	PADDLE ARM INSERT CASTING	4	
12	EM200297	END PADDLE U-BOLT	1	
13	EM200268	CENTER PADDLE U-BOLT	1	
14#	EM203432	CENTER BACK-UP BLADE	2	
15#	EM507519	TOP PLASTIC BLADE .....	2	POLYETHYLENE DRUM ONLY
16#	EM507518	END PLASTIC BLADE .....	1	POLYETHYLENE DRUM ONLY
17	5054A	LOCL WASHER 1/2"	4	
18	968011	HEX NUT 1/2-13	4	
19	EM204625	BLADE KIT, (POLY DRUM ONLY) .....	1	INCLUDES ITEMS W/# AND MTG. HDW.
20	EM200213	END RUBBER BLADE	1	
	EM203028	HDW. KIT, (FOR RUBBER OR POLY BLADES) ...	1	INCLUDED IN BLADE KITS

# EM-120PM — PADDLE SHAFT ASSY.





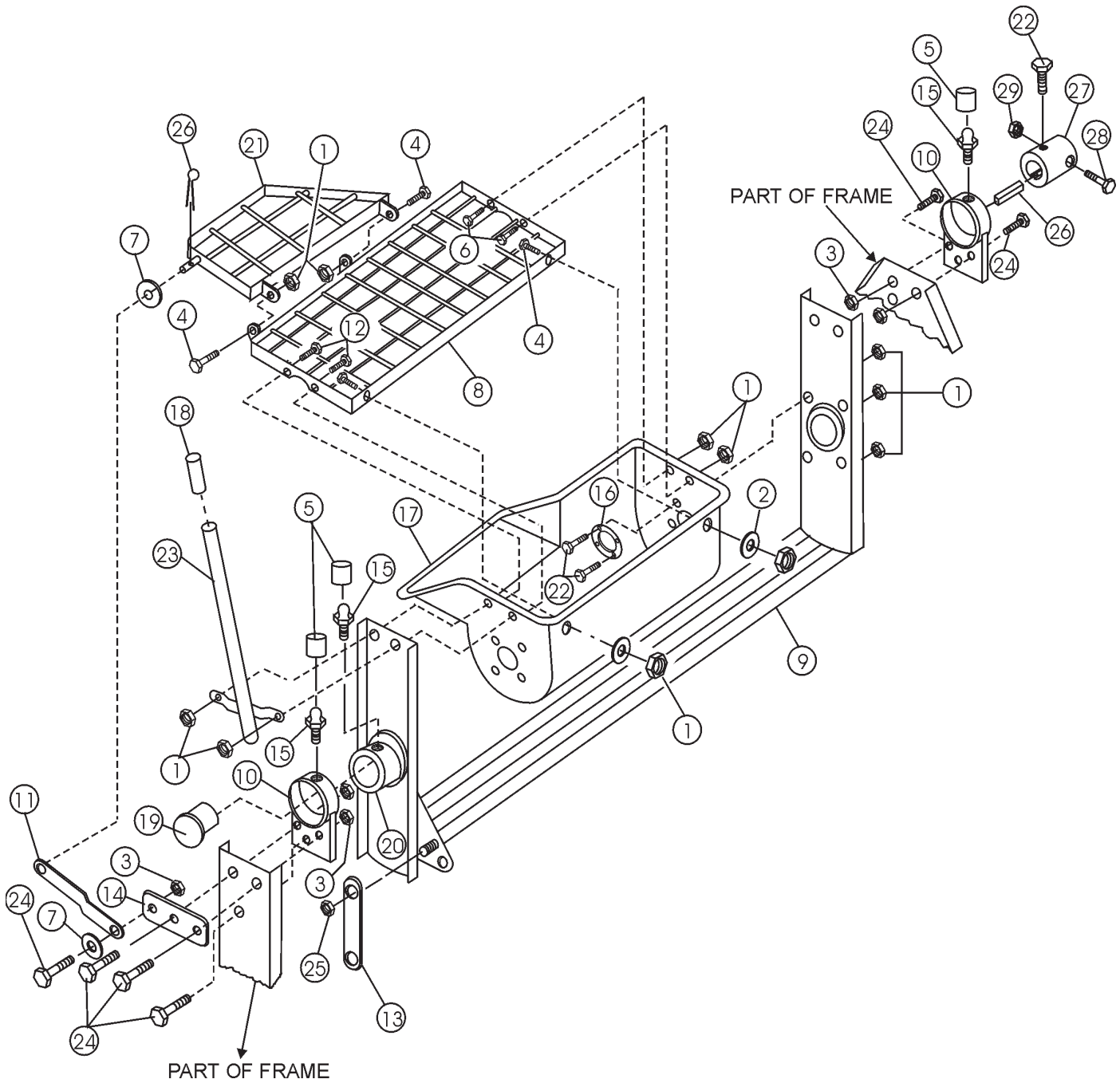
# EM-120PM — PADDLE SHAFT ASSY.

TOW SIDE PADDLE ASSY.

<b>NO</b>	<b>PART NO</b>	<b>PART NAME</b>	<b>QTY.</b>	<b>REMARKS</b>
1*	13002	SEAL BEARING 1-1/2 ID	2	
2	13348	RING, SNAP	1	
3	13349	SPACER, SNAP RING	1	
4	13353	SHAFT, PADDLE EM120PM .....	1	.... POLYETHYLENE DRUM ONLY
5	EM902153	BEARING, BALL	2	
6*	3019	SEAL PADDLE SHAFT, 1-1/8 ID	4	
7	3024	SPRING PADDLE SHAFT	2	
8	3047	SPACER, 2 X 1-1/8 X 1/4L	1	
9	3061	SPACER 2-7/8 X 2-1/8 X .105	14	
10*	3494	SEAL, URETHANE 1-1/4 ID	2	
11	5028B	PIN, COTTER 1/8 X 2 .....	1	.... POLYETHYLENE DRUM ONLY
12	8164	NUT, SLOTTED HEX JAM .....	1	.... POLYETHYLENE DRUM ONLY
	3530	PADDLE SHAFT SEAL KIT .....	1	.... INCLUDES ITEMS W/*

# EM-120PM — POLYETHYLENE DRUM ASSY.

POLYETHYLENE DRUM ASSY.

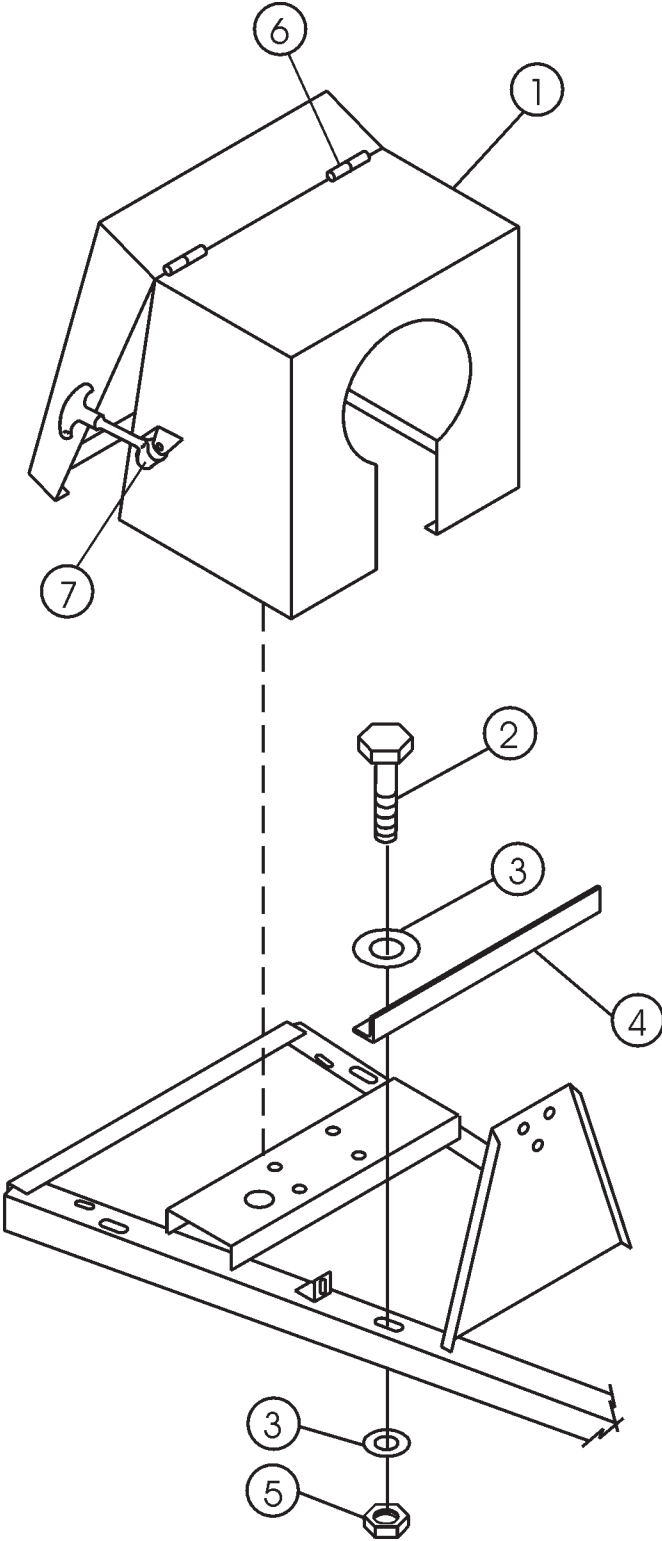


# EM-120PM — POLYETHYLENE DRUM ASSY.

## POLYETHYLENE DRUM ASSY.

<u>NO</u>	<u>PART NO</u>	<u>PART NAME</u>	<u>QTY.</u>	<u>REMARKS</u>
1	10133	NUT, NYLOC 3/8-16	16	
2	10136	WASHER, FLAT, 3/8 SAE	2	
3	10176	NUT, NYLOC 1/2-13	7	
4	1023	SCREW, HHC 3/8-16 X 1 1/4	4	
5	1162 A	CAP, GREASE ZERK	4	
6	1284	SCREW, HHC 3/8-16 X 1 1/2	2	
7	13211	WASHER, FLAT, 1/2 USS	1	
8	13270	GRATE, 120 STATIONARY W/A	1	
9	13357	TUB FRAME W/A, 120PM	1	
10	13361	BEARING BRACKET	2	
11	13362	BAR, GRATE OPENING	1	
12	1665	SCREW, HHC 3/8-16 X 2	2	
13	201731	DRUM LATCH	1	
14	EM203335	HINGE, GRILL CLOSING BAR	1	
15	2621	ZERK, GREASE STR 1/4-28	4	
16	3006	SUPPORT DISC-BRG.	2	
17	3042	DRUM, PLASTIC 12 CU. FT. MIXER	1	
18	3101	GRIP, 1"	1	
19	3249	CAP, DUST	1	
20	3291	BOSS, BEARING	2	
21	3309	GRATE, MOVEABLE W/A	1	
22	3480	SCREW, FHC 3/8-16 X 2. PLATED	8	
23	3512	HANDLE, DUMP W/A	1	
24	5218	SCREW, HHC 1/2-13 X 1 1/2	7	
25	9503	NUT, NYLOC 5/8-11	1	
26	EM010022	KEY, 3/8 SQ X 1 3/4	1	
27	EM200255	COUPLER, PADDLE SHAFT	1	
28	EM963157	SCREW, HHC 5/8-11 X 4-1/2, GR2	1	
29	9503	NUT, NYLOC 5/8-11	2	
30	961019	SCREW, SQHS, 3/8-16 X 1-1/4, CUP	2	

CAB ASSY.

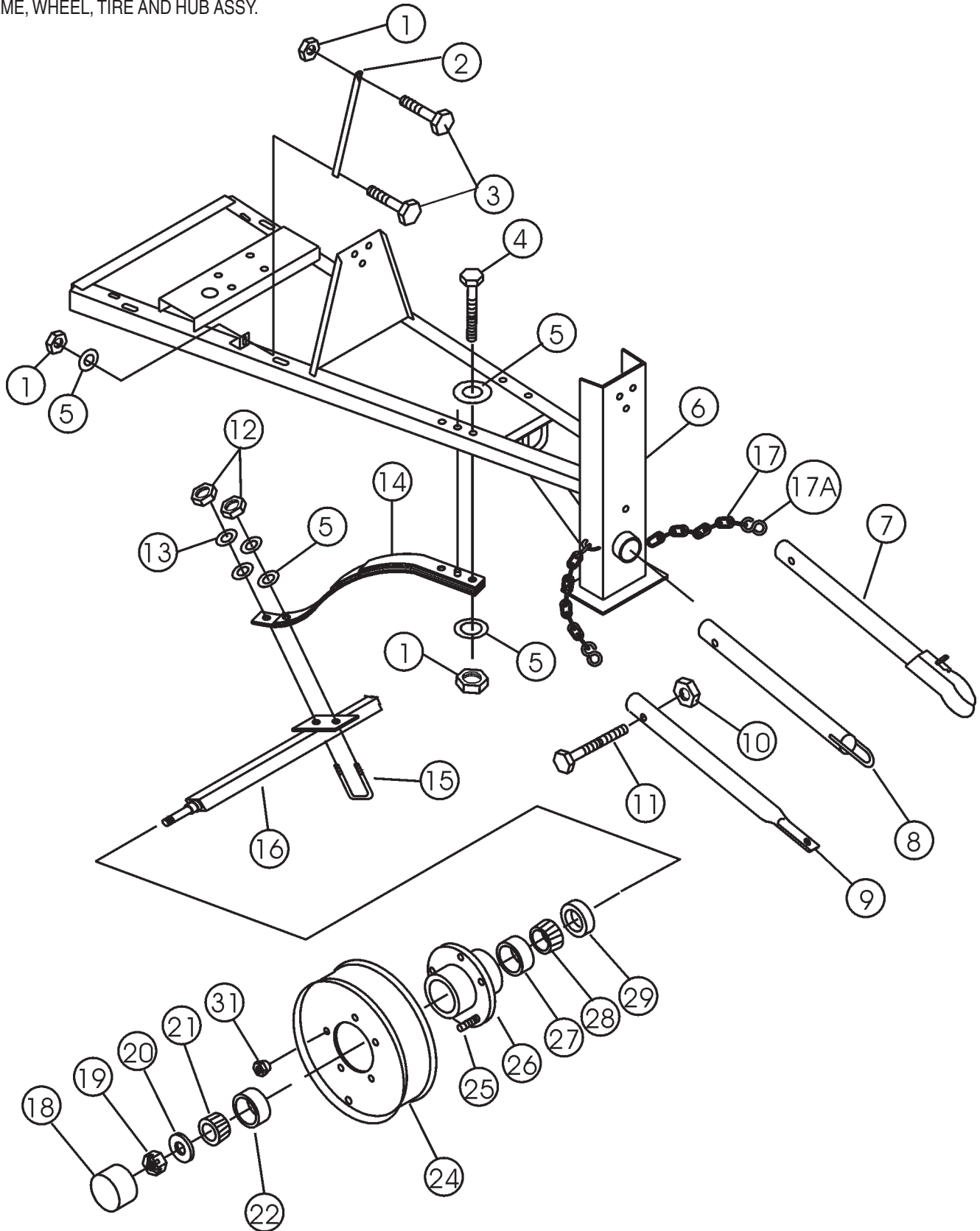


CAB ASSY.

<u>NO</u>	<u>PART NO</u>	<u>PART NAME</u>	<u>QTY.</u>	<u>REMARKS</u>
1	EM202957	CAB, COMPLETE ASSY.	1	
2	1284	HHCS 3/8-16 X 1.1/2"	4	
3	4001	FLAT WASHER 3/8"	8	
4	202771	CAB FRONT SUPPORT ANGLE	1	
5	10133	LOCK NUT 3/8-16	4	
6	13333	LATCH PIN ASSY.	2	
7	EM491010	RUBBER LATCH ASSY.	2	

# EM-120PM — FRAME, WHEEL, TIRE AND HUB ASSY.

FRAME, WHEEL, TIRE AND HUB ASSY.



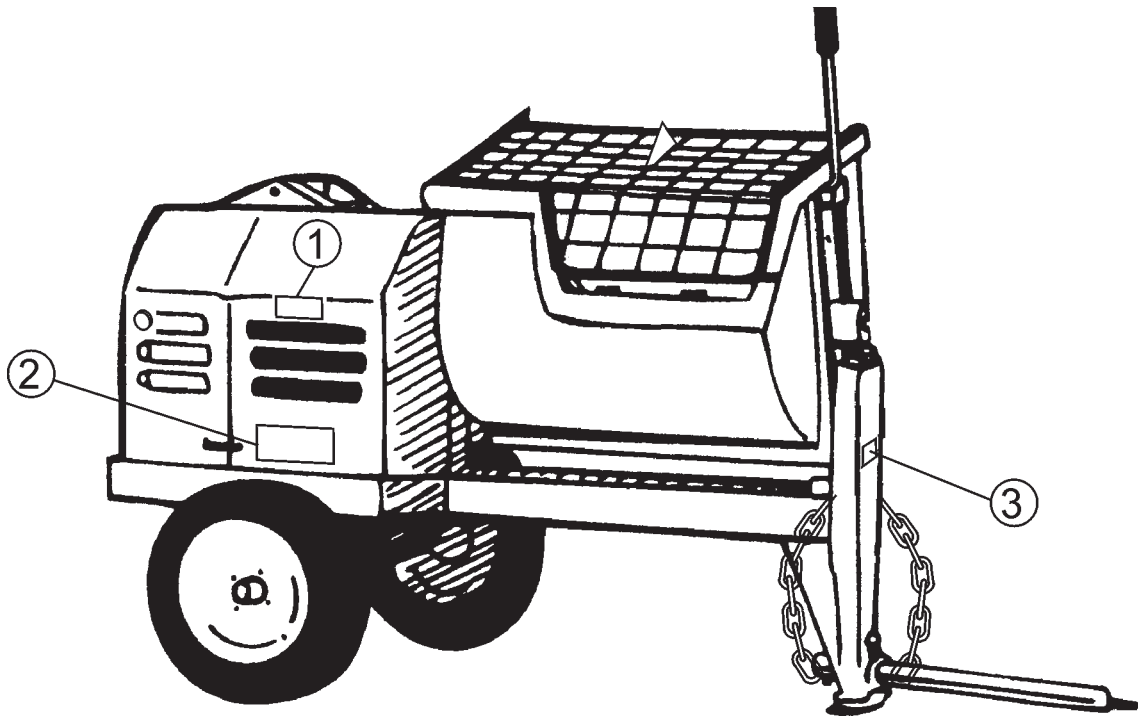
# EM-120PM — FRAME, WHEEL, TIRE AND HUB ASSY.

FRAME, WHEEL, TIRE AND HUB ASSY.

<u>NO</u>	<u>PART NO</u>	<u>PART NAME</u>	<u>QTY.</u>	<u>REMARKS</u>
1	10176	LOCK NUT 1/2-13	8	
2	EM204086	TRANSMISSION SUPPORT BAR	2	
3	5218	HHCS 1/2-13 X 1.1/2"	4	
4	2549	HHCS 1/2-13 X 3"	4	
5	0447	FLAT WASHER 1/2"	14	
6	EM202765	FRAME W/A	1	
7	EBC-1	BALL HITCH TOW BAR .....	1	..... CONTACT UNIT SALES DEPT.
8	ELC-1	PINTLE EYE TOW BAR .....	1	..... CONTACT UNIT SALES DEPT.
9	EDC-1	PIN HOLE TOW BAR .....	1	..... CONTACT UNIT SALES DEPT.
10	5070B	LOCK NUT 3/4-10	1	
11	EM963580	HHCS 3/4-10 X 4.1/2"	1	
12	8244	HEX NUT 1/2-20	4	
13	5054A	LOCK WASHER 1/2"	4	
14	EM201225	AXLE SPRING	2	
15	EM966204	SQUARE AXLE U-BOLT 1.1/2"	2	
16	EM202983	AXLE	1	
17	13363	SAFETY CHAIN ASSY.	2	
17A	01004	CHAIN, CONNECTOR LINK		
18#	EM941278	GREASE CAP	2	
19#	EM968302	AXLE NUT	2	
20#	EM923161	AXLE WASHER	2	
21#	EM903113	OUTER BEARING CONE	2	
22#	EM903012	OUTER BEARING CUP	2	
24#	EM941257	WHEEL 13 X 4.1/2-5 ON 4.1/2" BC	2	
25	EM941279	SERRATED WHEEL STUD .....	10	..... INCLUDES ITEMS W/#
26#	EM941277	HUB INC.	2	
27#	EM903169	INNER BEARING CUP	2	
28#	EM903168	INNER BEARING CONE	2	
29#	EM914324	SEAL	2	
31	EM941280	WHEEL NUT	10	

# EM-120PM — NAME PLATE AND DECALS

## NAME PLATE AND DECALS





# EM-120PM — NAME PLATE AND DECALS

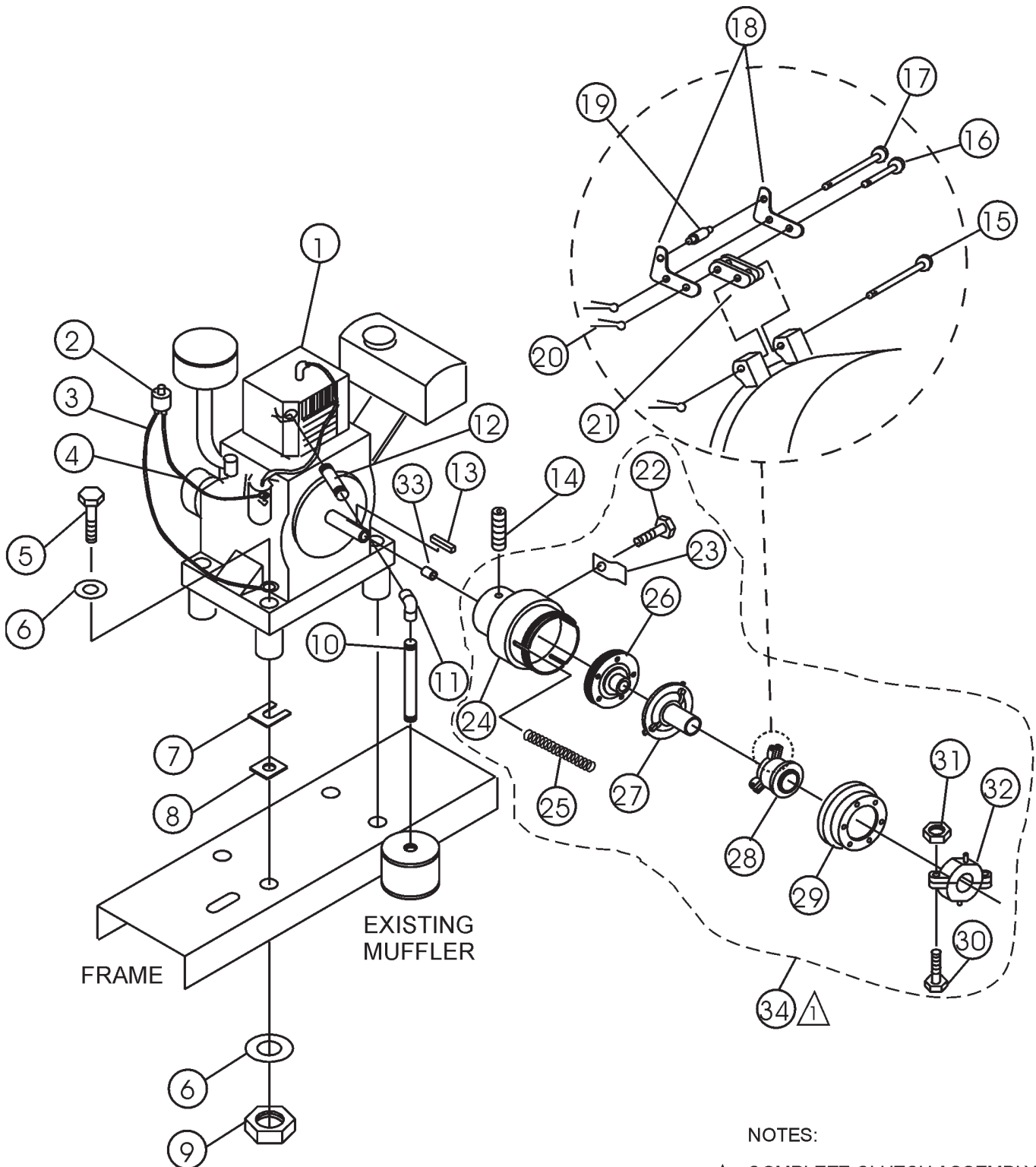
## NAME PLATE AND DECALS

<u>NO</u>	<u>PART NO</u>	<u>PART NAME</u>	<u>QTY.</u>	<u>REMARKS</u>
1*	EM948423	DECAL : CAUTION	1	
2*	948501	DECAL : SAFETY INSTRUCTIONS	1	
3		PLATE, SERIAL NO. ....	1 .....	CONTACT MQ SERVICE DEPT. W/MODEL & S/N
	DCLWM120PS	KIT, DECAL .....	1 .....	INCLUDES ITEMS W/*

SEE DECAL ILLUSTRATIONS ON PAGE 6.

# EM-120PM — WISCONSIN ENGINE ASSY.

WISCONSIN ENGINE ASSY.



NOTES:

- △ COMPLETE CLUTCH ASSEMBLY, ITEM 34, P/N 934022 INCLUDES ALL ITEMS WITHIN OUTLINE.

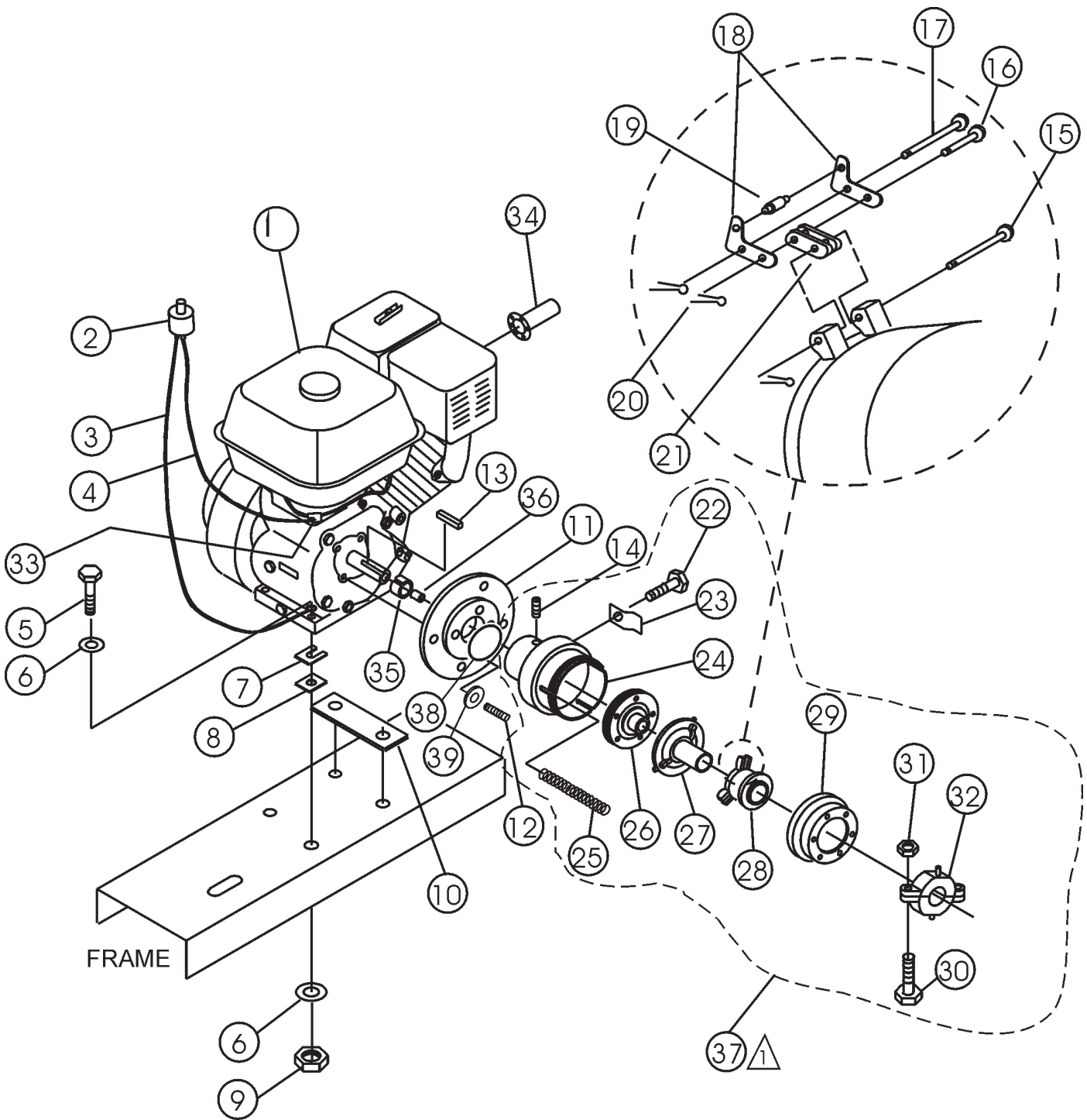
# EM-120PM — WISCONSIN ENGINE ASSY.

WISCONSIN ENGINE ASSY.

<u>NO</u>	<u>PART NO</u>	<u>PART NAME</u>	<u>QTY.</u>	<u>REMARKS</u>
1	EM937029	9.2HP WISCONSIN ENGINE	1	
2	EM940734	KILL SWITCH	1	
3	EM203298	ENGINE KILL GROUND WIRE	1	
4	EM203299	ENGINEKILL WIRE	1	
5	0169	HHCS 3/8-16 X 3"	4	
6	10136	FLAT WASHER 3/8"	8	
7	EM100235	ENGINE SHIM .030	AR	
	EM100236	ENGINE SHIM .018	AR	
	EM100237	ENGINE SHIM .010	AR	
8	EM203007	ENGINE PAD .187	AR	
	EM203016	ENGINE PAD .135	AR	
	EM203017	ENGINE PAD .060	AR	
9	10133	LOCK NUT 3/8-16	4	
10	EM912104	1" PIPE NIPPLE X 10" LONG	1	
11	5081	1' 90 DEG. ELBOW	1	
12	EM912097	1' PIPE NIPPLE X 5" LONG	1	
13	EM010009	SQ KEY 1/4 X 1/4 X 1"	1	
14	EM961045	SHSS 5/16-18 X 1/2" NYLOC	1	
15#	EM925013	LEVER PIN	3	
16#	EM925018	SHORT LINK PIN	3	
17#	EM925016	LONG LINK PIN	3	
18#	EM959012	LEVER	6	
19#	EM934054	ROLLER	3	
20#	5117	COTTER PIN	9	
21#	EM934053	CONNECTING LINK	6	
22#	9503	SLOTTED HHCS 1/4-20 X 1/2"	1	
23#	EM934040	ADJUSTING LOCK	1	
24#	EM934039	CLUTCH HOUSING	1	
25#	EM918009	SPRING	3	
26#	EM934041	SPLINED CENTER W/FACING	1	
27#	EM934042	PRESSURE PLATE ASM	1	
28#	EM934043	RELEASE SLEEVE	1	
29#	EM934045	ADJUSTING RING	1	
30#	EM963289	BOLT	2	
31#	EM969009	LOCK NUT	2	
32#	EM934044	RELEASE BEARING ASM	1	
33	EM801570	PILOT BUSHING	1	
34	EM934022	CLUTCH ASM .....	1	INCLUDES ITEMSW/#

# EM-120PM — HONDA ENGINE ASSY.

HONDA ENGINE ASSY.



NOTES:

△ COMPLETE CLUTCH ASSEMBLY,  
ITEM 37, P/N 934022 INCLUDES  
ALL ITEMS WITHIN OUTLINE.

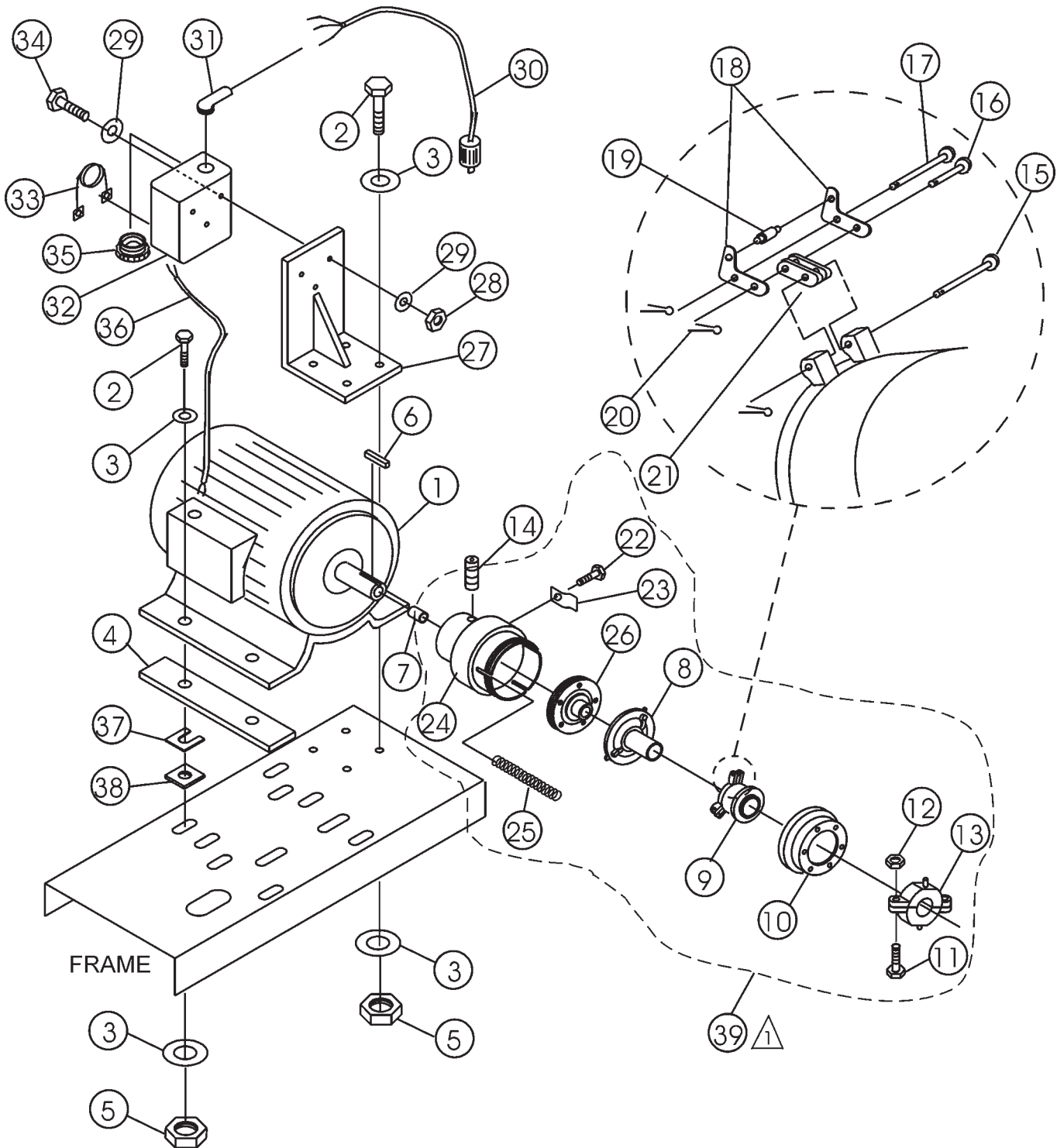
# EM-120PM — HONDA ENGINE ASSY.

HONDA ENGINE ASSY.

<u>NO</u>	<u>PART NO</u>	<u>PART NAME</u>	<u>QTY.</u>	<u>REMARKS</u>
1	EM203456	11HP HONDA ENGINE	1	
2	EM940734	KILL SWITCH	1	
3	EM203298	ENGINE KILL GROUND WIRE	1	
4	EM203035	ENGINE KILL WIRE	1	
5	9154	HHCS 3/8-16 X 1.3/4"	4	
6	10136	FLAT WASHER 3/8"	8	
7	EM100235	ENGINE SHIM .030	AR	
	EM100236	ENGINE SHIM .018	AR	
	EM100237	ENGINE SHIM .010	AR	
8	EM203007	ENGINE PAD .187	AR	
	EM203016	ENGINE PAD .135	AR	
	EM203017	ENGINE PAD .060	AR	
9	10133	LOCK NUT 3/8-16	4	
10	EM204550	MOTOR MOUNT	2	
11	EM203038	ADAPTER KIT .....	1	INCLUDES ITEMS W/*
12*	11090	STUD, 3/8 SHC	4	
13	EM927066	SQ KEY	1	
14	EM961045	SHSS 5/16-18 X 1/2"NYLOC	1	
15#	EM925013	LEVER PIN	3	
16#	EM925018	SHORT LINK PIN	3	
17#	EM925016	LONG LINK PIN	3	
18#	EM959012	LEVER	6	
19#	EM934054	ROLLER	3	
20#	5117	COTTER PIN	9	
21#	EM934053	CONNECTING LINK	6	
22#	9503	SLOTTED HHCS 1/4-20 X 1/2"	1	
23#	EM934040	ADJUSTING LOCK	1	
24#	EM934039	CLUTCH HOUSING	1	
25#	EM918009	SPRING	3	
26#	EM934041	SPLINED CENTER W/FACING	1	
27#	EM934042	PRESSURE PLATE ASM	1	
28#	EM934043	RELEASE SLEEVE	1	
29#	EM934045	ADJUSTING RING	1	
30#	EM963289	BOLT	2	
31#	EM969009	LOCK NUT	2	
32#	EM934044	RELEASE BEARING ASM	1	
33	1475	WIRE SPLICE	1	
34	EM203149	EXHAUST DEFLECTOR	1	
35*	EM203040	SLEEVE	1	
36	EM801570	PILOT BUSHING	1	
37	EM934022	CLUTCH ASM .....	1	INCLUDES ITEMS/W#
38*	13377	OIL SEAL	4	
39*	13379	COPPER WASHER	4	

# EM-120PM — ELECTRIC MOTOR ASSY.

ELECTRIC MOTOR ASSY.



NOTES:

△ COMPLETE CLUTCH ASSEMBLY, ITEM 39, P/N 934022 INCLUDES ALL ITEMS WITHIN OUTLINE.

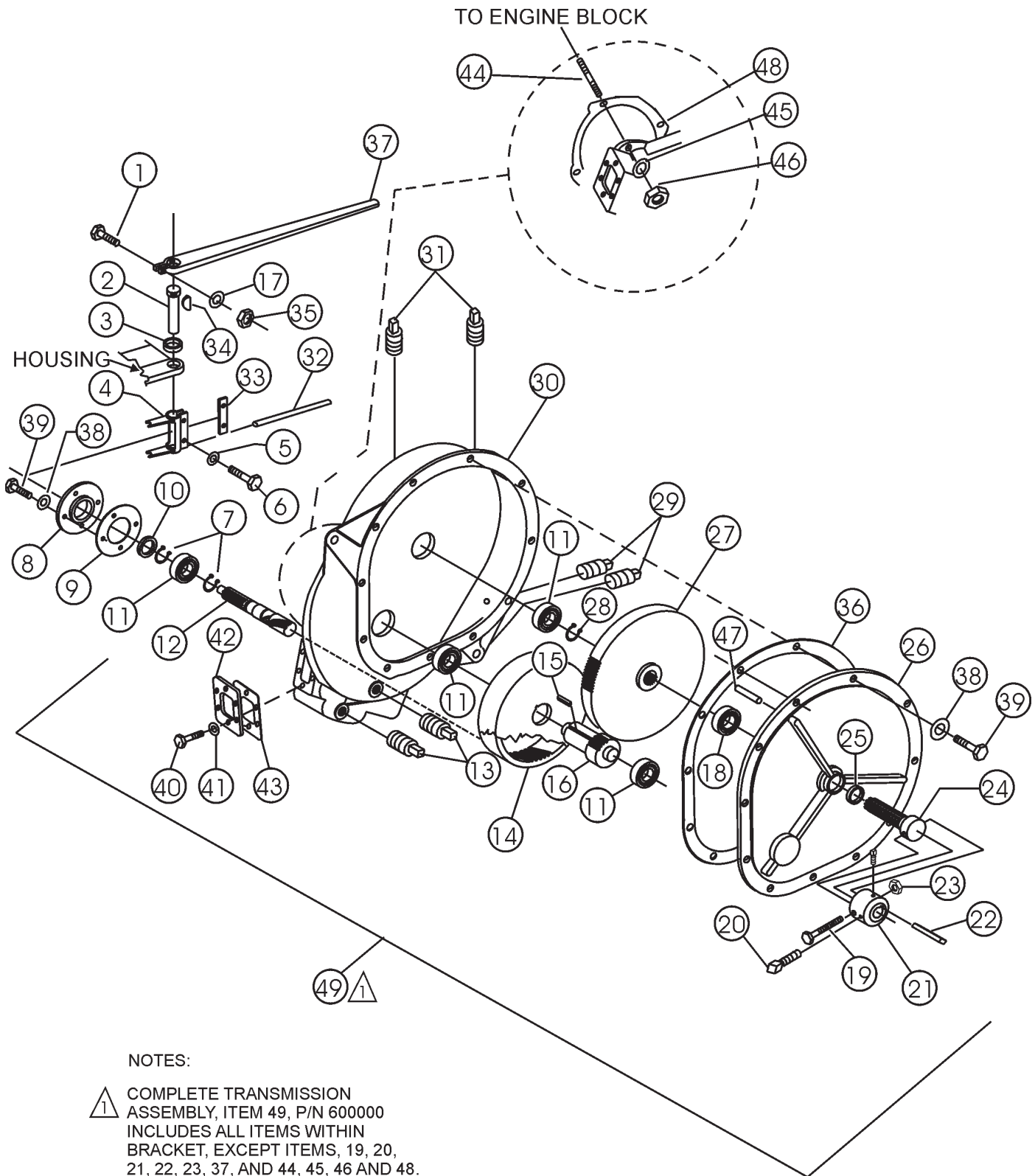
# EM-120PM — ELECTRIC MOTOR ASSY.

ELECTRIC MOTOR ASSY.

<u>NO</u>	<u>PART NO</u>	<u>PART NAME</u>	<u>QTY.</u>	<u>REMARKS</u>
1	EM939228	5 HP 1 PHASE ELECT MOTOR	1	
1	EM239229	5 HP 3 PHASE ELECT MOTOR	1	
2	1023	HHCS 3/8-16 X 1.1/4"	8	
3	10136	FLAT WASHER 3/8"	16	
4	EM204549	MOTOR MOUNT	2	
5	10133	LOCK NUT 3/8-16	8	
6	EM010009	SQ KEY	1	
7	EM801570	BUSHING	1	
8#	EM934042	PRESSURE PLATE ASM	1	
9#	EM934043	RELEASE SLEEVE	1	
10#	EM934045	ADJUSTING RING	1	
11#	EM963289	BOLT	2	
12#	EM969009	LOCK NUT	2	
13#	EM934044	RELEASE BEARING ASM	1	
14#	EM961045	SHSS 5/16-18 X 1/2" NYLOC	1	
15#	EM925013	LEVER PIN	3	
16#	EM925018	SHORT LINK PIN	3	
17#	EM925016	LONG LINK PIN	3	
18#	EM959012	LEVER	6	
19#	EM934054	ROLLER	3	
20#	5117	COTTER PIN	9	
21#	EM934053	CONNECTING LINK	6	
22#	9503	SLOTTED HHCS 1/4-20 X 1/2"	1	
23#	EM934040	ADJUSTING LOCK	1	
24#	EM934039	CLUTCH HOUSING	1	
25#	EM918009	SPRING	3	
26#	EM934041	SPLINED CENTER W/FACING	1	
27	EM204526	MOUNT BRKT	1	
28	10019	LOCK NUT 10-32	3	
29	2203	FLAT WASHER #10	6	
30	EM201794	PIG TAIL	1	
31	0174	90 DEG ELBOW	1	
32	EM98187	MOTOR STARTER 1 PHASE	1	
32	EM98191	MOTOR STARTER 3 PHASE	1	
33	EM940198	HEATER 1 PHASE	1	
33	EM940209	HEATER 3 PHASE	1	
34	8133	RHMS 10-32 X 3/4"	3	
35	EM940184	REDUCER BUSHING	1	
36	EM012295	CONDUIT	1	
37	EM100235	ENGINE SHIM .030	AR	
	EM100236	ENGINE SHIM .018	AR	
	EM100237	ENGINE SHIM .010	AR	
38	EM203007	ENGINE PAD .187	AR	
	EM203016	ENGINE PAD .135	AR	
	EM203017	ENGINE PAD .060	AR	
39	EM934022	CLUTCH ASM .....	1	INCLUDES ITEMS/W#

# EM-120PM — TRANSMISSION ASSY.

TRANSMISSION ASSY.



NOTES:

- △ COMPLETE TRANSMISSION ASSEMBLY, ITEM 49, P/N 600000 INCLUDES ALL ITEMS WITHIN BRACKET, EXCEPT ITEMS, 19, 20, 21, 22, 23, 37, AND 44, 45, 46 AND 48.



# EM-120PM — TRANSMISSION ASSY.

TRANSMISSION ASSY.

<u>NO</u>	<u>PART NO</u>	<u>PART NAME</u>	<u>QTY.</u>	<u>REMARKS<sup>1</sup></u>
1#	2200	HHCS 3/8-24 X 2"	1	
2#	EM600029	SHIFTER SHAFT	1	
3#	EM914005	SEAL	1	
4#	EM600028	CLUTCH YOKE	1	
5#	0181B	LOCK WASHER 1/4"	2	
6#	0730	HHCS 1/4-20 X 1"	2	
7#	EM926029	SNAP RING	2	
8#	EM600023	BEARING RETAINER	1	
9#	EM600022	BEARING RETAINER GASKET	1	
10#	914209	SEAL	1	
11#	EM902091	BALL BEARING	4	
12#	EM600016	INPUT PINION SHAFT	1	
13#	EM911329	SQ HEAD MAG. PINE PLUG 3/8"	2	
14#	EM600020	INTERNAL GEAR	1	
15#	EM010062	SQ KEY 3/8 X 1.3/8"	1	
16#	EM600131	OUTPUT DRIVE PINION	1	
17#	10136	FLAT WASHER 3/8"	1	
18#	EM902161	BALL BEARING	1	
19	EM963157	HHCS 5/8-11 X 4.1/2" GD2	1	
20	EM961019	SQHSS3/8-16 X 1.1/4" CUP	2	
21	EM200255	PADDLE SHAFT COUPLER	1	
22	EM010022	SQ KEY 3/8 X 3/8 X 1.3/4'	1	
23	9503	LOCK NUT 5/8-11	1	
24#	600015	OUTPUT SHAFT	1	
25#	914207	OIL SEAL	1	
26#	600014	TRANSMISSION COVER	1	
27#	1729	ROLL PIN	1	
28#	EM926036	SNAP RING	1	
29#	EM911064	SQ HEAD PINE PLUG 1/2 NPT	2	
30#	EM600012	MAIN TRANSMISSION HOUSING	1	
31#	EM911356	BREATHER VENT PIPE PLUG 1/2"	2	
32#	EM600133	OUTPUT SHAFT GEAR	1	
33#	EM600024	LOCK PLATE	1	
34#	EM927048	WOODRUFF KEY #A	1	
35#	10133	LOCK NUT 3/8-16	1	
36#	EM600021	TRANSMISSION COVER GASKET	1	
37	EM600018	SHIFTER LEVER	1	
38#	0161C	LOCK WASHER 3/8"	17	
39#	0202	HHCS 5/8-16 X 1"	17	
40#	4196	HHCS 3/8-16 X 3/4"	6	
41#	1875	INTER. SHKP WASHER 3/8"	6	
42#	EM931233	SHIFTER COVER	1	
43#	EM600026	SHIFTER COVER GASKET	1	
44	EM300999	STUD 7/16-14 X 2.1/16"	4	
45	2955	LOCK WASHER 7/16"	4	
46	EM968010	HEX NUT 7/16-14	4	
47	EM925109	DOWEL PIN	3	
48	EM801965	GASKET	1	
49	EM600000	COMP.TRANS. ASM. ....	1	INCLUDES ITEMS W/#