

# PARTS MANUAL



## **MODELS** **DEFTANK1** **DEFTANK2** **DEF REPLENISHMENT** **SYSTEM**

Revision #0 (11/16/21)



**THIS MANUAL MUST ACCOMPANY THE EQUIPMENT AT ALL TIMES.**

## DEFTANK1/DEFTANK2 DEF Replenishment System

Explanation Of Code In Remarks Column..... 4  
Suggested Spare Parts ..... 5

### Component Drawings

Decal Assembly ..... 6–7  
DEF Fill And Hose Assembly ..... 8–9  
DEF Tank 100 Gallon Assembly ..... 10–11  
Pump Assembly ..... 12–13  
Communication Cable Assembly ..... 14–15  
Cover Plate Assembly ..... 16–17  
Valve Assembly ..... 18–19  
DEF Tank Base Assembly ..... 20–21  
Front Panel Assembly ..... 22–23  
Control Box Assembly ..... 24–25  
Controller And Relay Assembly ..... 26–27  
Clamp Assembly ..... 28–29  
Enclosure Assembly ..... 30–31  
Component Access Cover Assembly ..... 32–33  
Cabinet Assembly ..... 34–35  
Insulation Kit Assembly ..... 36–37  
Main Harness Assembly ..... 38–39  
DEFTANK2KIT Assembly (Option) ..... 40–41  
DEFHOSEHEAT Assembly (Option) ..... 42–43  
DEFTANKHEATPAD Assembly (Option) ..... 44–45  
DEFHEATPAD Assembly (Option) ..... 46–47  
DEFDISPENSERKIT Assembly (Option) ..... 48–49  
Stacking Assembly (Option) ..... 50–51

#### **NOTICE**

Part numbers are subject to change without notice.

# EXPLANATION OF CODE IN REMARKS COLUMN

The following section explains the different symbols and remarks used in the Parts section of this manual. Use the help numbers found on the back page of the manual if there are any questions.

## NOTICE

The contents and part numbers listed in the parts section are subject to change **without notice**. Multiquip does not guarantee the availability of the parts listed.

## SAMPLE PARTS LIST

NO.	PART NO.	PART NAME	QTY.	REMARKS
1	12345	BOLT .....	1	INCLUDES ITEMS W/%
2%		WASHER, 1/4 IN. ....		NOT SOLD SEPARATELY
2%	12347	WASHER, 3/8 IN. ...	1	MQ-45T ONLY
3	12348	HOSE .....	A/R	MAKE LOCALLY
4	12349	BEARING .....	1	S/N 2345B AND ABOVE

## NO. Column

**Unique Symbols** — All items with same unique symbol (@, #, +, %, or >) in the number column belong to the same assembly or kit, which is indicated by a note in the “Remarks” column.

**Duplicate Item Numbers** — Duplicate numbers indicate multiple part numbers, which are in effect for the same general item, such as different size saw blade guards in use or a part that has been updated on newer versions of the same machine.

## NOTICE

When ordering a part that has more than one item number listed, check the remarks column for help in determining the proper part to order.

## PART NO. Column

**Numbers Used** — Part numbers can be indicated by a number, a blank entry, or TBD.

TBD (To Be Determined) is generally used to show a part that has not been assigned a formal part number at the time of publication.

A blank entry generally indicates that the item is not sold separately or is not sold by Multiquip. Other entries will be clarified in the “Remarks” Column.

## QTY. Column

**Numbers Used** — Item quantity can be indicated by a number, a blank entry, or A/R.

A/R (As Required) is generally used for hoses or other parts that are sold in bulk and cut to length.

A blank entry generally indicates that the item is not sold separately. Other entries will be clarified in the “Remarks” Column.

## REMARKS Column

Some of the most common notes found in the “Remarks” Column are listed below. Other additional notes needed to describe the item can also be shown.

**Assembly/Kit** — All items on the parts list with the same unique symbol will be included when this item is purchased.

Indicated by:

“INCLUDES ITEMS W/(unique symbol)”

**Serial Number Break** — Used to list an effective serial number range where a particular part is used.

Indicated by:

“S/N XXXXX AND BELOW”

“S/N XXXX AND ABOVE”

“S/N XXXX TO S/N XXX”

**Specific Model Number Use** — Indicates that the part is used only with the specific model number or model number variant listed. It can also be used to show a part is NOT used on a specific model or model number variant.

Indicated by:

“XXXXX ONLY”

“NOT USED ON XXXX”

**“Make/Obtain Locally”** — Indicates that the part can be purchased at any hardware shop or made out of available items. Examples include battery cables, shims, and certain washers and nuts.

**“Not Sold Separately”** — Indicates that an item cannot be purchased as a separate item and is either part of an assembly/kit that can be purchased, or is not available for sale through Multiquip.

# SUGGESTED SPARE PARTS

---

## DEF TANK REPLENISHMENT SYSTEM

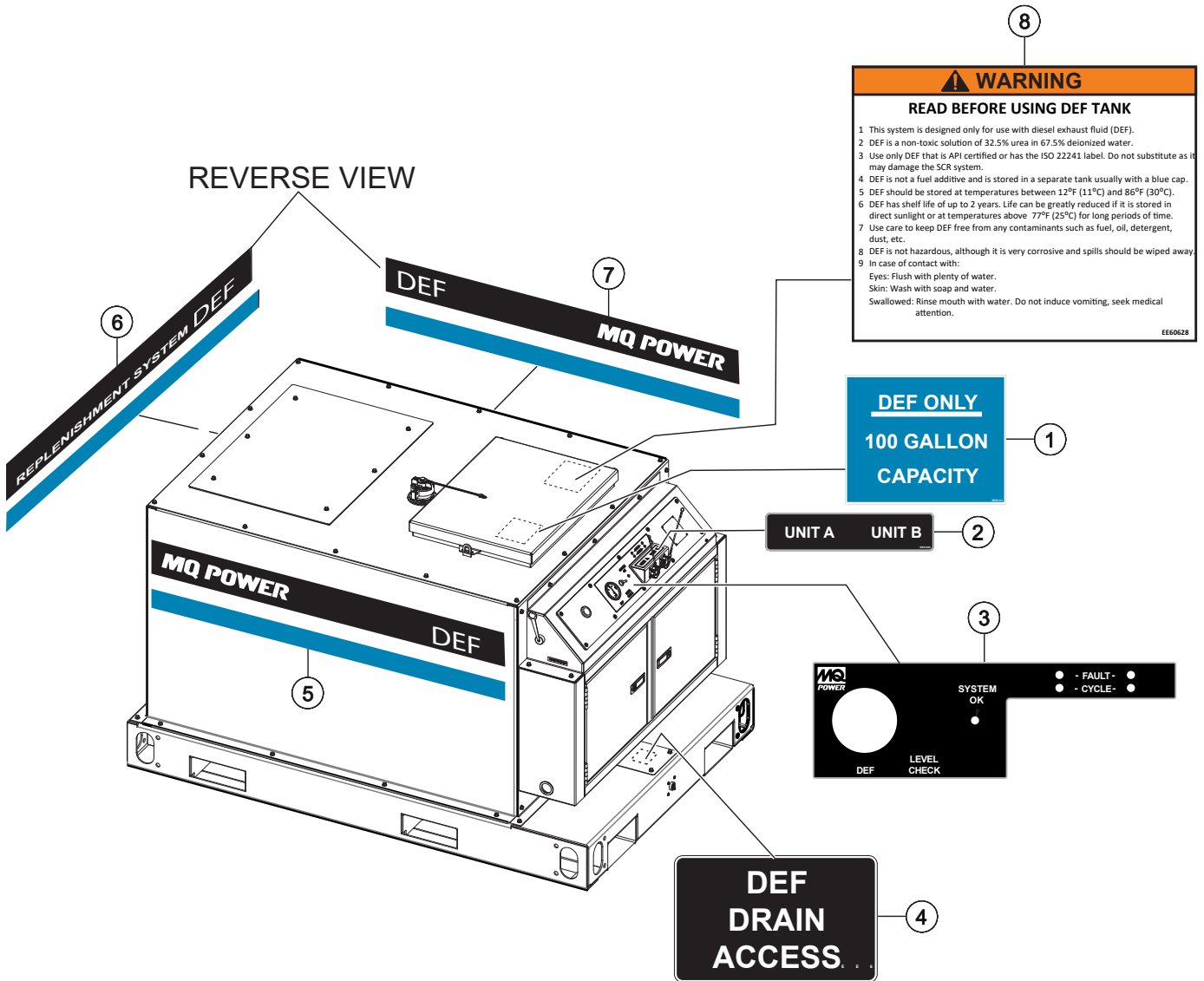
### 1 to 5 units

Qty.	P/N	Description
3.....	EE60845.....	RELAY, 40A 12VDC COIL
1.....	EE5739.....	DIODE, SNGL. PHASE 35A
1.....	EE61320.....	JUMPER RELAY
1.....	EE61251.....	RESITOR, 294Ω 0.5W
1.....	EE60826.....	DUST CAP, BLK.
1.....	EE60490.....	GAUGE, DEF LEVEL

#### **NOTICE**

Part numbers on this Suggested Spare Parts list may supersede/replace the part numbers shown in the following parts lists.

# DECAL ASSY.

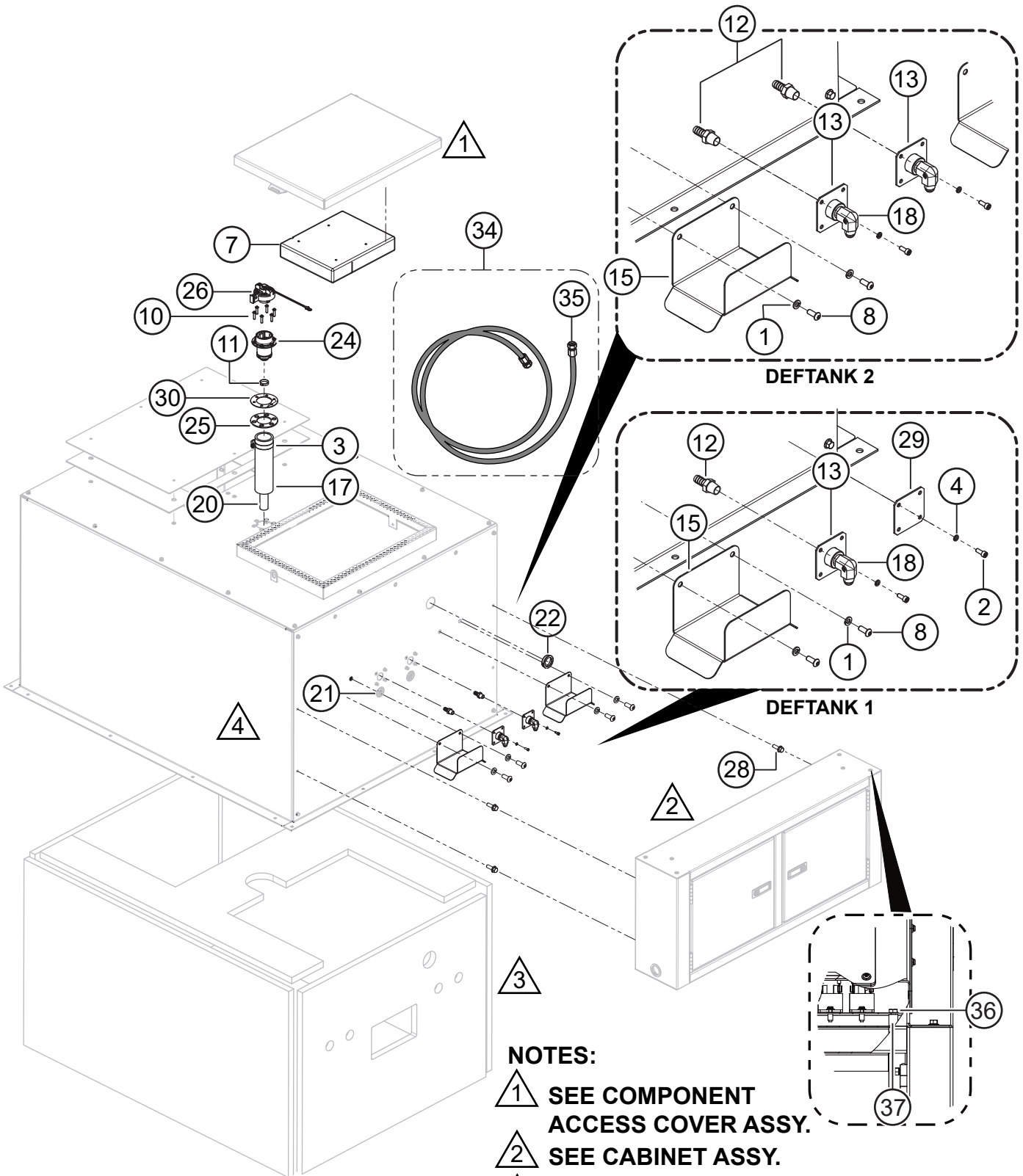


## DECAL ASSY.

---

<u>NO.</u>	<u>PART NO.</u>	<u>PART NAME</u>	<u>QTY.</u>	<u>REMARKS</u>
1	EE61311	DECAL, DEF ONLY, 100 GAL. CAPACITY	1	
2	EE61282	DECAL, UNIT A/B, DEF TANK	1	
3	EE61281	DECAL, PWR. AND LVL. GAUGE, DEF TANK	1	
4	EE61283	DECAL, DRAIN VALVE, DEF TANK	1	
5	EE61312	DECAL, MQ POWER DEF - LEFT	1	
6	EE61284	DECAL, MQ POWER DEF - END	1	
7	EE61285	DECAL, MQ POWER DEF - RIGHT	1	
8	EE60628	LABEL, WARNING, DEF TANK	1	

# DEF FILL AND HOSE ASSY.



## NOTES:

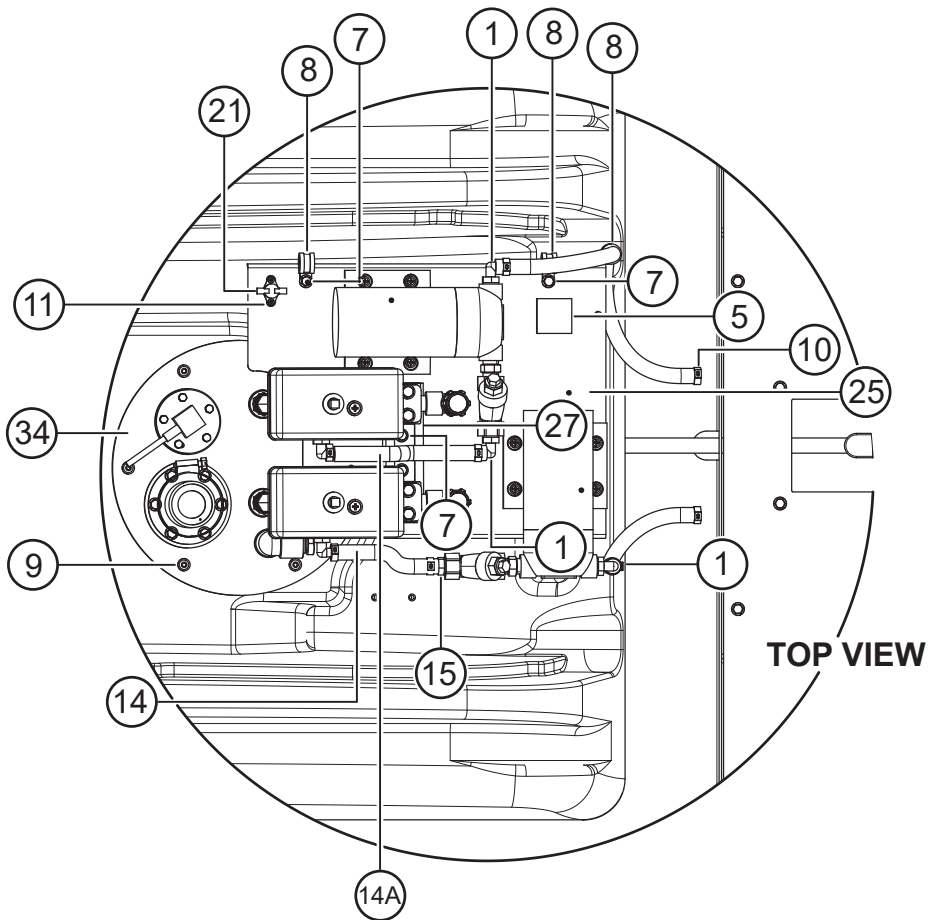
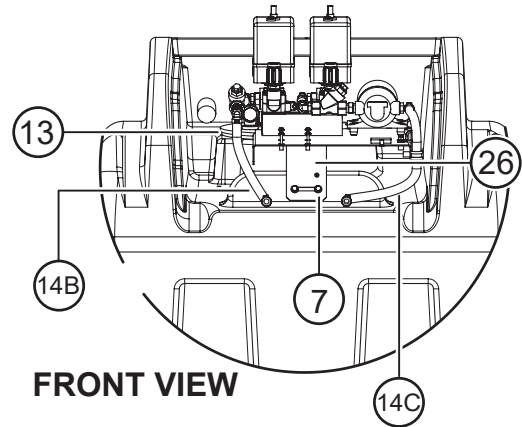
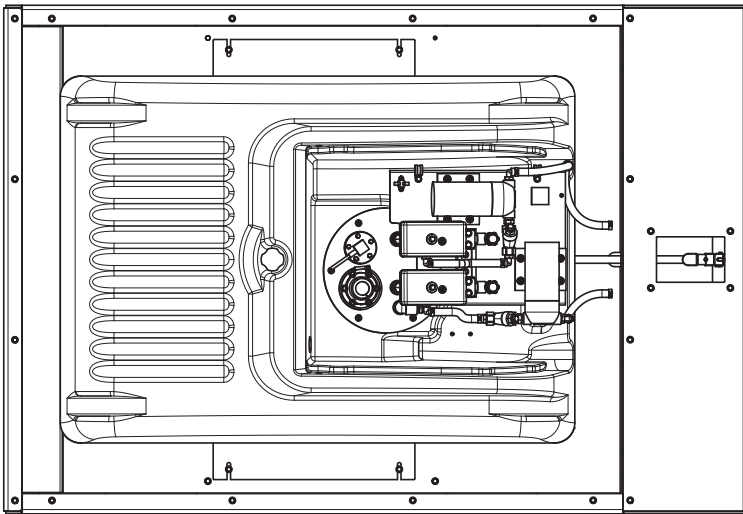
- ① SEE COMPONENT ACCESS COVER ASSY.
- ② SEE CABINET ASSY.
- ③ SEE INSULATION KIT ASSY.
- ④ SEE ENCLOSURE ASSY.

## DEF FILL AND HOSE ASSY.

<u>NO.</u>	<u>PART NO.</u>	<u>PART NAME</u>	<u>QTY.</u>	<u>REMARKS</u>
1	0181 B	WASHER, LOCK 1/4 MED	4	
2	07469-004	SCREW, SHC 10-32X1/2	8	
3	12277	CLAMP, HOSE WORM #36	1	
4	19780	WASHER, LOCK #10 MED	8	
7	29057	DOCUMENT BOX	1	
8	973752	SCREW, BHSC, 1/4-20 X 5/8 SS	4	
10	EE55639	SCREW, BHSC, 1/4-20 X 1, SS	6	
11	EE58469	CLAMP, CRIMP, SHAW	1	
12	EE60291	FITTING, STRAIGHT, 3/8 BARB 3/8" NPT-M	2	
13	EE60296	COUPLING, FLANGED, 3/8" NPT, SS	2	
15	EE60379	HANGER, HOSE	2	
17	EE60423	HOSE, OUTER, DEF FILL, 2" ID X 8.5" LG.	1	
18	EE60445	FITTING, 90°, 3/8" MJ X 3/8" MP, SS	2	
20	EE60464	TUBE, INNER DEF FILL	1	
21	EE60469	BUSHING, EXPAND LOCKING, 1-3/8" HOLE	2	
22	EE60470	BUSHING, SNAP 1.75" HOLE	1	
24	EE60618	FILL ASSY., FLANGED, DEF TANK	1	
25	EE60619	GASKET, FILL ASSY., DEF TANK	1	
26	EE60620	CAP, LOCKING W/LANYARD	1	
28	EE60959	SCREW, HFS 1/4-20 X 3/4 SS	4	
29	EE61158	COVER PLATE, FLANGED COUPLING.....	1	DEFTANK1 ONLY
30	EE61213	SHIM, FILL ASSY., DEF TANK	1	
34	EE60457	HOSE ASSY., 3/8" DEF .....	1	INCLUDES ITEMS W/#
35#	EE60457-01	FITTING, 6HBS X 6FJS, SS	2	
36	26250	SCREW, HHC 1/4-20 X 1-3/4	2	
37	EE61558	SPACER, .26 ID X .50 OD X .63, LDPE	2	



# DEF TANK 100 GALLON ASSY.

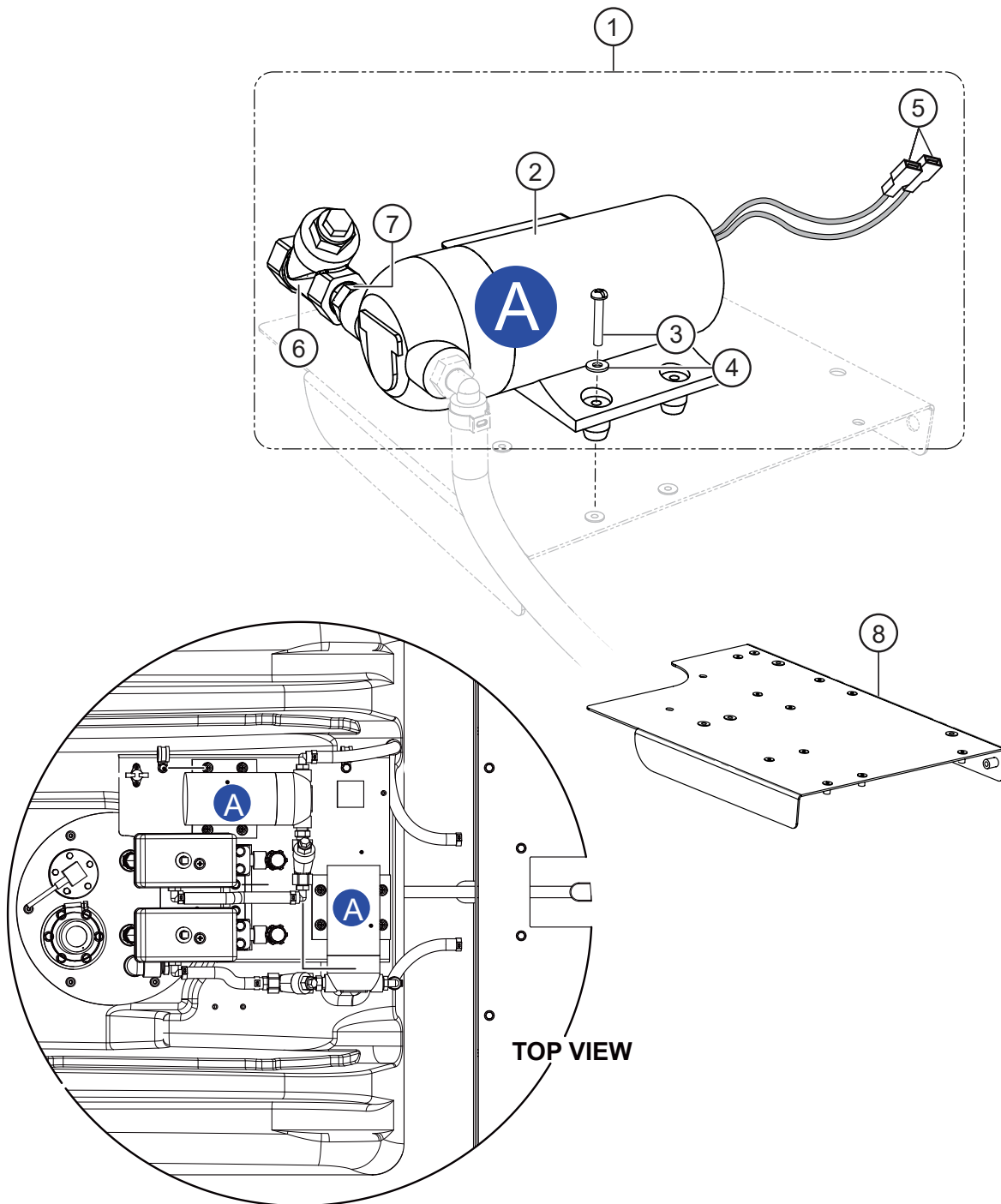


## DEF TANK 100 GALLON ASSY.

---

<u>NO.</u>	<u>PART NO.</u>	<u>PART NAME</u>	<u>QTY.</u>	<u>REMARKS</u>
1	2925	ELBOW, 90 3/8 BARB 3/8 NPT-M	1	
5	23976	MTG. BASE, ADHESIVE TIE WRAP	1	
7	34364	SCREW, HFS 1/4-20 X 1/2	4	
8	35023	CLAMP, LOOM CUSHIONED #10.....	2.....	DEFTANK1 ONLY
8	35023	CLAMP, LOOM CUSHIONED #10.....	3.....	DEFTANK2 ONLY
9	42134	SCREW, BHSC FLG. M6-1.0 X 25MM	6	
10	EE52810	CLAMP, 19/32-43/64, SS	4	
11	EE52949	SCREW, PHP, #6-32 X 3/4, SS	2	
13	EE60246	GASKET, COVER, DEF TANK	1	
14	EE60249	HOSE, 3/8"ID, 200 PSI, BLACK 5.25 FT. 1.....	1.....	DEFTANK2 ONLY
14A	EE60249	HOSE, 3/8"ID, 200 PSI, BLACK 7.25 FT. 1.....	1.....	DEFTANK1 ONLY
14B	EE60249	HOSE, 3/8"ID, 200 PSI, BLACK 10 FT. ... 1.....	1.....	DEFTANK2 ONLY
14C	EE60249	HOSE, 3/8"ID, 200 PSI, BLACK 16 FT. ... 1.....	1.....	DEFTANK1 ONLY
15	EE60291	FITTING, STR., 3/8 BARB 3/8 NPT-M	1	
21	EE60560	THERMOSTAT, HEATING SYSTEM	1	
25	EE60992	MOUNTING PLATE ASSY., PUMP	1	
26	EE60993	BRACKET, PUMP SUPPORT	1	

# PUMP ASSY.

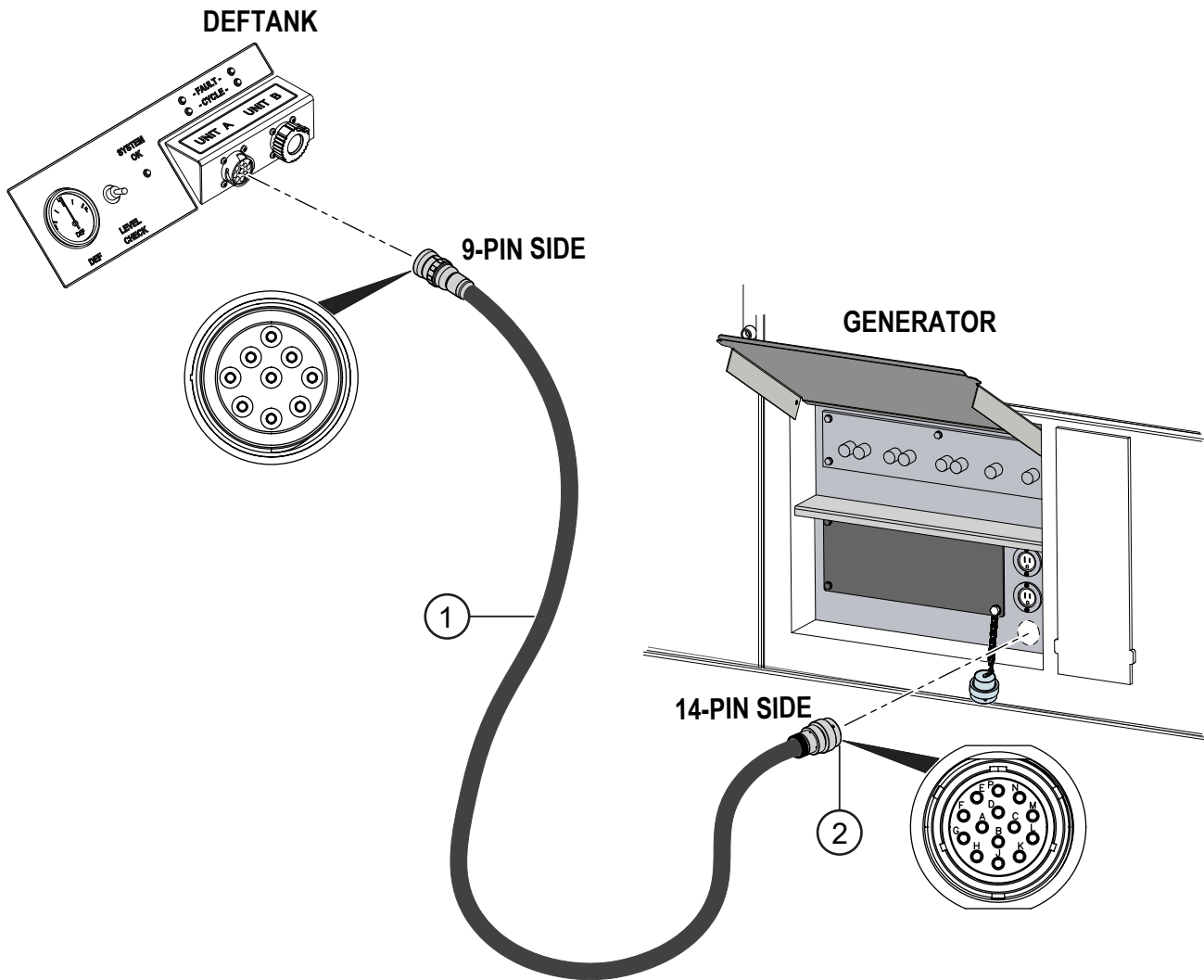


## **PUMP ASSY.**

---

<u>NO.</u>	<u>PART NO.</u>	<u>PART NAME</u>	<u>QTY.</u>	<u>REMARKS</u>
1	EE60373	PUMP ASSY., DEF TANK .....	1.....	INCLUDES ITEMS W/#
2#	EE60991	PUMP, DEF, 1.8 GPM, 45 PSI, 24 VDC	1	
3#	3458	SCREW, PHP 8-32 X 1	4	
4#	15173	WASHER, FLAT, #8	4	
5#	2856	TERMINAL, MALE 16-14 PUSH-ON INS	2	
6#	EE60335	Y-STRAINER, 50 MESH 3/8" FNPT, SS	1	
7#	EE61062	FITTING STR 3/8 MP, SS	1	
8	EE60992	MOUNTING PLATE ASSY., PUMP	1	

# COMMUNICATION CABLE ASSY.

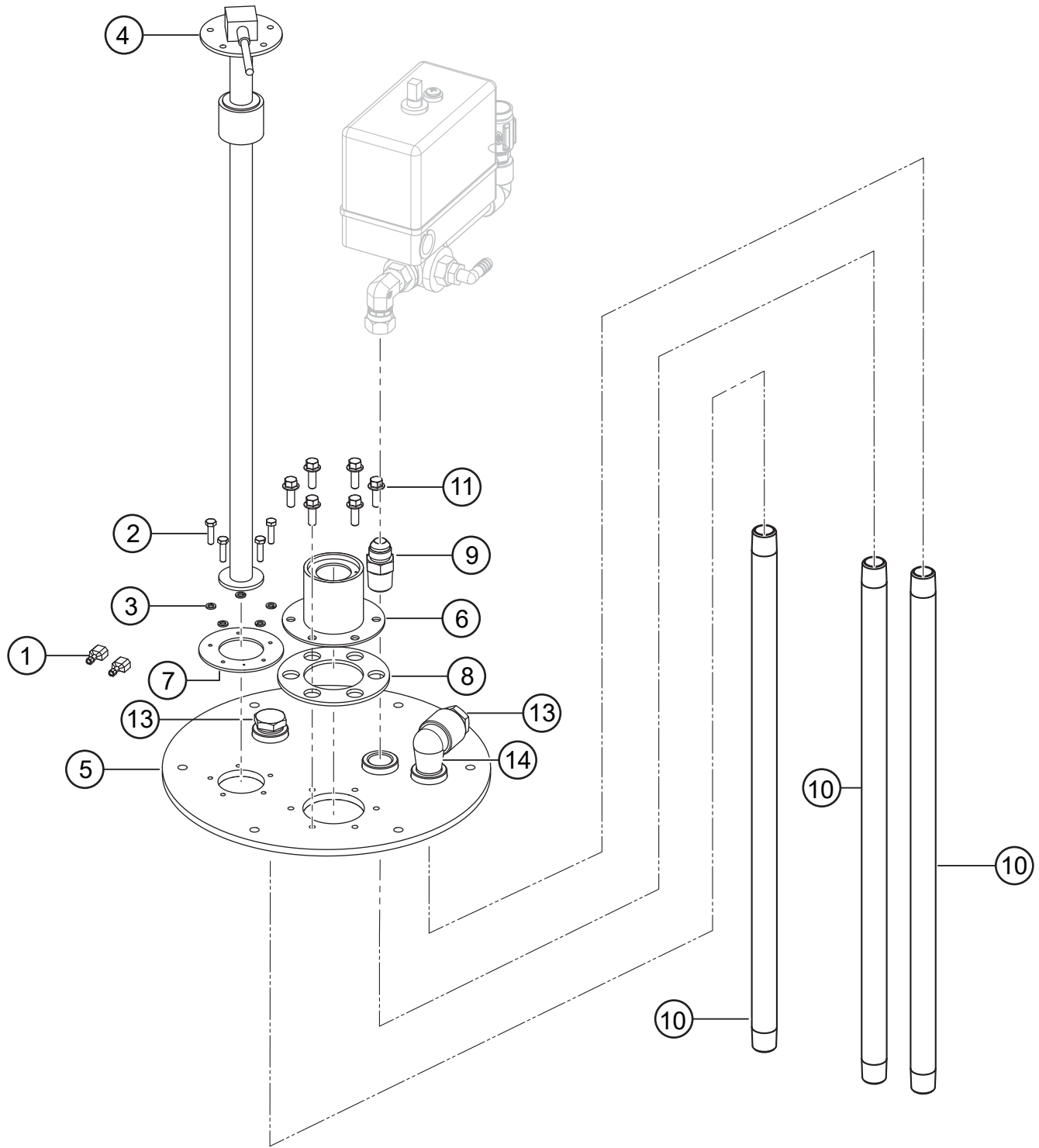


## COMMUNICATION CABLE ASSY.

---

<u>NO.</u>	<u>PART NO.</u>	<u>PART NAME</u>	<u>QTY.</u>	<u>REMARKS</u>
1	EE60460	COMMUNICATION CABLE 25 FT.....	1.....	DEFTANK1
1	EE60460	COMMUNICATION CABLE 25 FT.....	2.....	DEFTANK2
2	EE60950	DUST CAP, HD30, 18 SHELL.....	1.....	DEFTANK1
2	EE60950	DUST CAP, HD30, 18 SHELL.....	2.....	DEFTANK2

**COVER PLATE ASSY.**



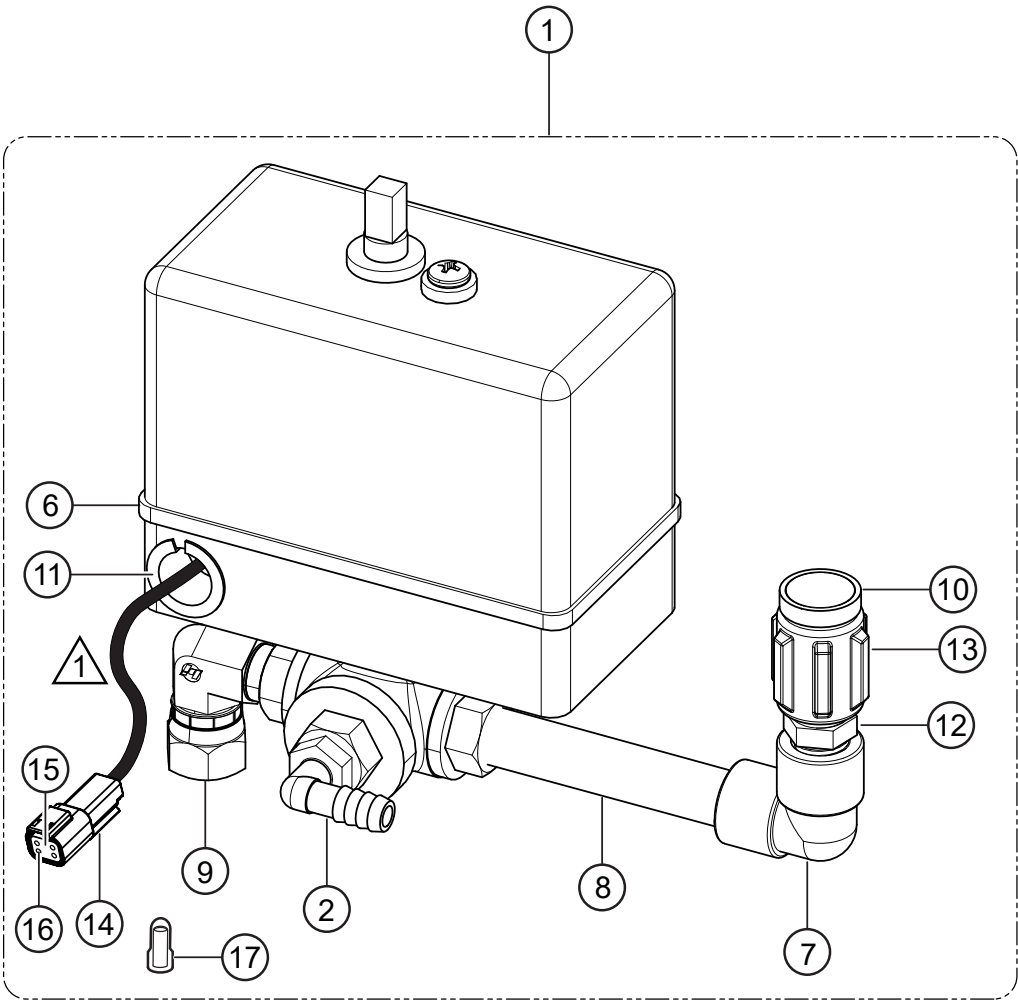
**COVER PLATE ASSY.**

---

<u>NO.</u>	<u>PART NO.</u>	<u>PART NAME</u>	<u>QTY.</u>	<u>REMARKS</u>
1	21618	TERMINAL, TAB, .250, 22-18 AWG	2	
2	32527	SCREW, HHC 10-32 X 3/4" SS	5	
3	EE52745	WASHER, SPLIT LOCK,#10-SST	5	
4	EE60244	FLUID LEVEL SENDER, SAE 5 BOLT, 21"	1	
5	EE60302	COVER PLATE DUAL PICKUP DEF TANK	1	
6	EE60351	NIPPLE W/A, FLANGED, 2" TUBING	1	
7	EE60559	GASKET, LEVEL SENDER	1	
8	EE60619	GASKET, FILL ASSY., DEF TANK	1	
9	EE60838	FITTING, STRAIGHT, 1/2" NPT-1/2" MJ, SS	1	DEFTANK1 ONLY
9	EE60838	FITTING, STRAIGHT, 1/2" NPT-1/2" MJ, SS	2	DEFTANK2 ONLY
10	EE60840	PIPE, 1/2" NPT X 20", SCH 40, SS	3	
11	EE60959	SCREW, HFS 1/4-20 X 3/4 SS	6	
13	EE61172	PLUG, 1/2 NPT MALE, HEX HEAD, NYLON	2	DEFTANK1 ONLY
13	EE61172	PLUG, 1/2 NPT MALE, HEX HEAD, NYLON	1	DEFTANK2 ONLY
14	EE62194	FITTING, 90 1/2MP-1/2FP, POLY	1	



# VALVE ASSY.



**NOTES:**

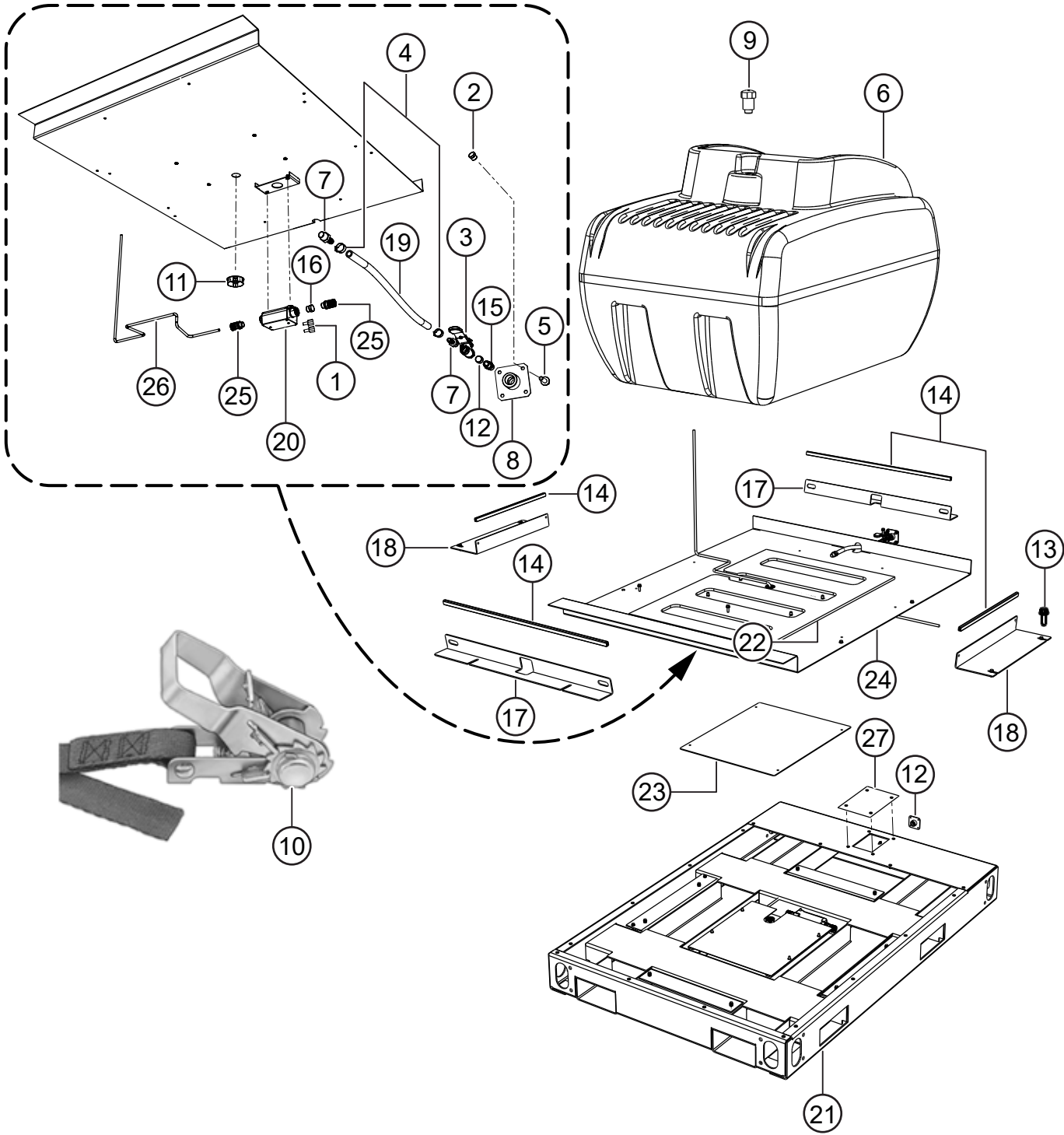
△ REFERENCE WIRING DIAGRAM IN THE OPERATION MANUAL FOR CONNECTION.

## VALVE ASSY.

---

<u>NO.</u>	<u>PART NO.</u>	<u>PART NAME</u>	<u>QTY.</u>	<u>REMARKS</u>
1	EE61102	VALVE ASSY., MOTORIZED-DEF TANK .....	1.....	INCLUDES ITEMS W/#
2#	2925	ELBOW, 90 3/8 BARB 3/8 NPT-M	1	
6#	EE60243	BALL VALVE, 3-WY, ELECT., SS, 3/8", 12 VDC	1	
7#	EE60292	FITTING, ELBOW, 90°, 3/8" NPT (FEM), PP	1	
8#	EE60293	PIPE, 3/8" NPT X 3.5" LONG, SS	1	
9#	EE60839	FITTING, ELBOW, 3/8" NPT TO 1/2" FJS, SS	1	
10#	EE61206	BREATHER VENT 3/8" NPT POLYETHYLENE	1	
11#	EE61322	BUSHING, ANTI-SHORT, 3/4" DIA	1	
12#	EE61395	FITTING STR 3/8" MNPT SCH 80 POLYPRO	1	
13#	EE61396	FITTING STR 3/8" FNPT SCH 80 POLYPRO	1	
14#	EE58777	RECEPTACLE, DT 4 PIN	1	
15#	EE58778	WEDGE, DT 4 PIN	1	
16#	EE50281	PIN, SIZE 16, 14 AWG	4	
17#	14262	CAP, TERMINAL, INSUL. 22 AWG	1	

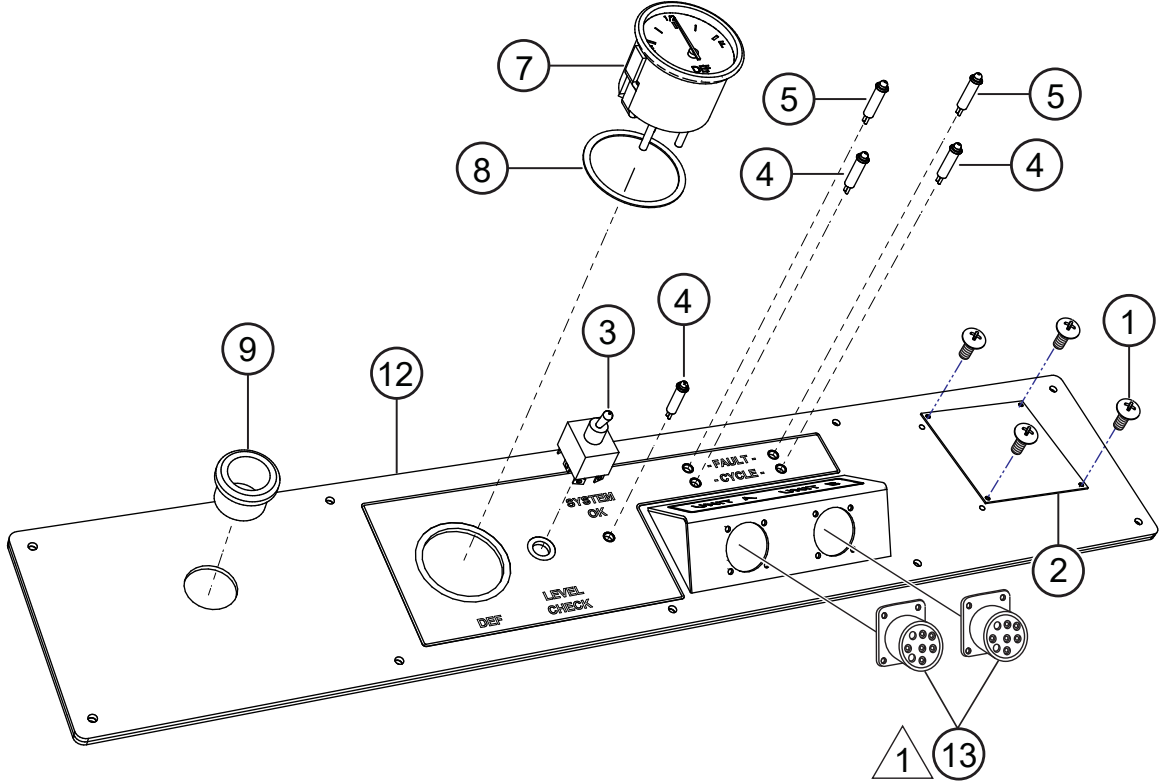
# DEF TANK BASE ASSY.



## DEF TANK BASE ASSY.

<u>NO.</u>	<u>PART NO.</u>	<u>PART NAME</u>	<u>QTY.</u>	<u>REMARKS</u>
1	2856	TERMINAL, MALE 16-14 PUSH-ON INS	2	
2	10019	NUT, NYLOC 10-32	4	
3	EE48477	BALL VALVE, 3/8" NPT, SS	1	
4	EE52810	CLAMP, STEPLESS EAR, 19/32-43/64, SS	2	
5	EE53185	SCREW, 10-32 X 1, PHP, SS	4	
6	EE60259	TANK, DEF, 100 GAL	1	
7	EE60291	FITTING, STRAIGHT, 3/8 BARB 3/8 NPT-M	2	
8	EE60296	COUPLING, FLANGED, 3/8" NPT, SS	1	
9	EE60330	VENT, BREATHER, DEF TANK	1	
10	EE60342	STRAP, CINCHING, RATCHET, 1" NYL X 16'	2	
11	EE60469	BUSHING, EXPANDABLE, 1" DIA.	1	
12	EE60541	FITTING, PLUG, 3/8" NPTF, SS	1	
13	EE60959	SCREW, HFS 1/4-20 X 3/4 SS	18	
14	EE61061	TRIM, U-CHANNEL, PUSH-ON (7.3 FT.) .....	1	1 PC. = 1 FT.
15	EE61062	FITTING STR 3/8 MP SS	1	
16	EE61172	PLUG, 1/2 NPT MALE, HEX HEAD, NYLON	1	
17	EE61382	TIE-DOWN, BASE, DUAL LIFT, DEF TANK	2	
18	EE61383	BRACE, BASE, DUAL LIFT, DEF TANK	2	
19	EE61464	HOSE 3/8 DEF (1.3 FT.) .....	1	1 PC = 1 FT.
20	EE62013	JUNCTION BOX, OUTLET	1	
21	EE62016	BASE, HEATED OPT., REMOTE DEF SYSTEM	1	
22	EE62018	FLOOR MAT, DEF SYSTEM	1	
23	EE62019	COVER, HEATING PAD, DEF BASE	1	
24	EE62163	FLOOR, ENCLOSURE, DEF SYSTEM	1	
25	EE62282	CORD GRIP, .25 - .38 CORD OD	2	
26	EE62295	CABLE, 3-WIRE, 16 GA (FT)	10	
27	EE60300-09	COVER, ACCESS, DRAIN VALVE, DEF SYS.	1	

# FRONT PANEL ASSY.



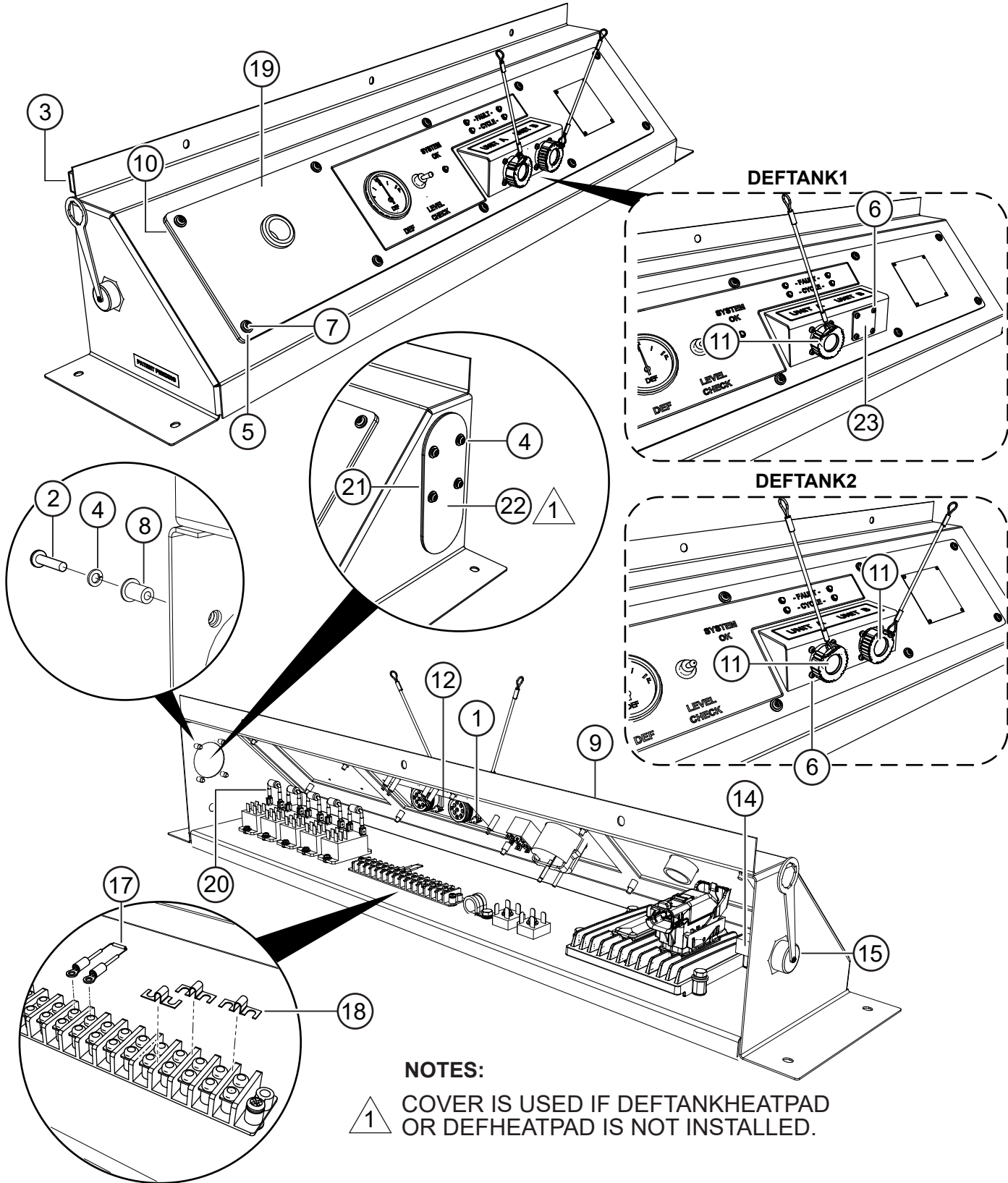
**NOTES:**

- 1 REFER TO MAIN HARNESS ASSY.  
TWO RECEPTACLES ARE USED FOR DEFTANK2.

**FRONT PANEL ASSY.**

<u>NO.</u>	<u>PART NO.</u>	<u>PART NAME</u>	<u>QTY.</u>	<u>REMARKS</u>
1	4014	SCREW, 2-3/16 P-K TYPE U-DRIVE	4	
2	46245-2	SERIAL NUMBER PLATE	1	
3	EE2632	SWITCH, TOGGLE, OFF-MOMENTARY	1	
4	EE5659	LED, GREEN, 12 VOLT, 24 AWG	3	
5	EE5665	LED, RED, 14 VOLT, 24 AWG	2	
7	EE60490	GAUGE, DEF LEVEL	1	
8	EE60497	GASKET, LIQUID LEVEL GAUGE, RUBBER	1	
9	EE61000	SIGHT GLASS	1	
12	EE61280	PANEL W/A, CONNECTIONS AND GAUGE	1	
13		RECEPTACLE, 9-PIN .....	1.....	DEFTANK1 INCLUDED IN MAIN HARNESS
13		RECEPTACLE, 9-PIN .....	2.....	DEFTANK2 INCLUDED IN MAIN HARNESS

# CONTROL BOX ASSY.



**NOTES:**

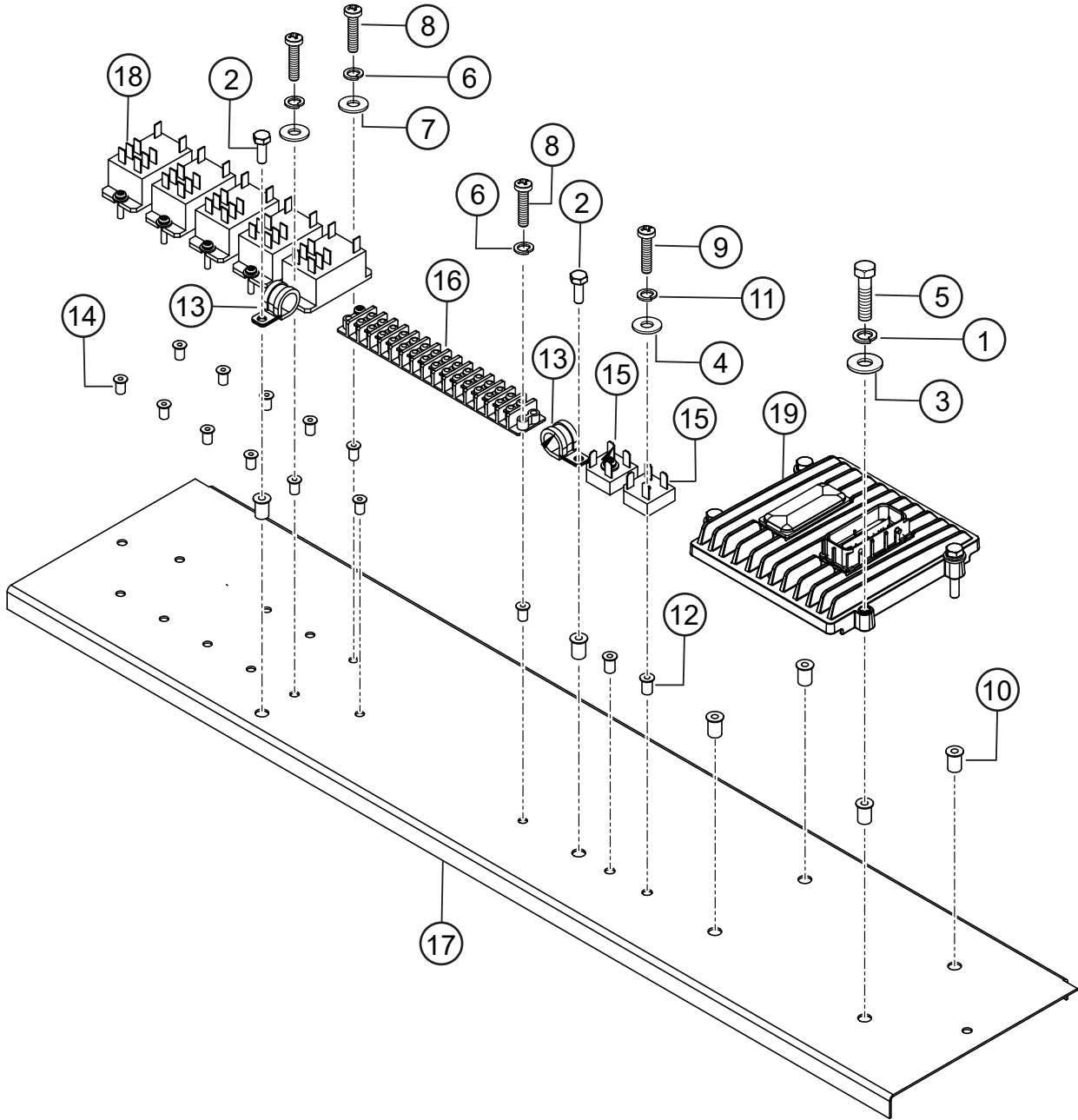
△ 1 COVER IS USED IF DEFTANKHEATPAD OR DEFHEATPAD IS NOT INSTALLED.

## CONTROL BOX ASSY.

<u>NO.</u>	<u>PART NO.</u>	<u>PART NAME</u>	<u>QTY.</u>	<u>REMARKS</u>
1	11152	NUT, NYLOC 6-32	8	
2	34939	SCREW, PHP 8-32 X 3/4, SS	4	
3	60131	TAPE, NEOPRENE FOAM, 1/16X1 WIDE.....	3.....	1 PC =1 FT.
4	EE52682	WASHER, SPLIT LOCK, #8, SS	4	
5	EE52689	WASHER, FLAT, #10, SS	10	
6	EE52949	SCREW, PHP, #6-32 X 3/4, SS	8	
7	EE53185	SCREW, 10-32 X 1, PHP, SS	10	
8	EE53657	WASHER, FLAT, #8, SS	4	
9	EE60801	CONTROL BOX W/A, DEF SYSTEM	1	
10	EE60805	GASKET, CONTROL PANEL	1	
11	EE60826	DUST CAP, BLK., HD10 SERIES W/LANYARD ...	1.....	DEFTANK1 ONLY
11	EE60826	DUST CAP, BLK., HD10 SERIES W/LANYARD ...	2.....	DEFTANK2 ONLY
12	EE60831	GASKET, RECEPT., 9 PIN DEUTSCH HD10 ....	1.....	DEFTANK1 ONLY
12	EE60831	GASKET, RECEPT., 9 PIN DEUTSCH HD10 ....	2.....	DEFTANK2 ONLY
14	EE61219	RECEPTACLE, AMPH., RJ485, BAYONET	1	
15	EE61220	DUST CAP, ETHERNET, RJ45, MOLEX	1	
17	EE61251	RESISTOR, 294 OHM, 1/2 WATT	1	
18	EE61253	TERMINAL 2-WAY JUMPER	3	
19	EE61279	PANEL ASSY., CONNETOR. AND GAUGE	1	
20	EE61320	JUMPER RELAY, DIODE, DEF CONTROL	5	
21	EE61401	GASKET, RECEPTACLE COVER, DEF TANK	1	
22	EE61402	COVER, RECEPTACLE/TOGGLE, DEF TANK	1	
23	EE61589	PLATE/COVER, DEF TANK	1	



# CONTROLLER AND RELAY ASSY.

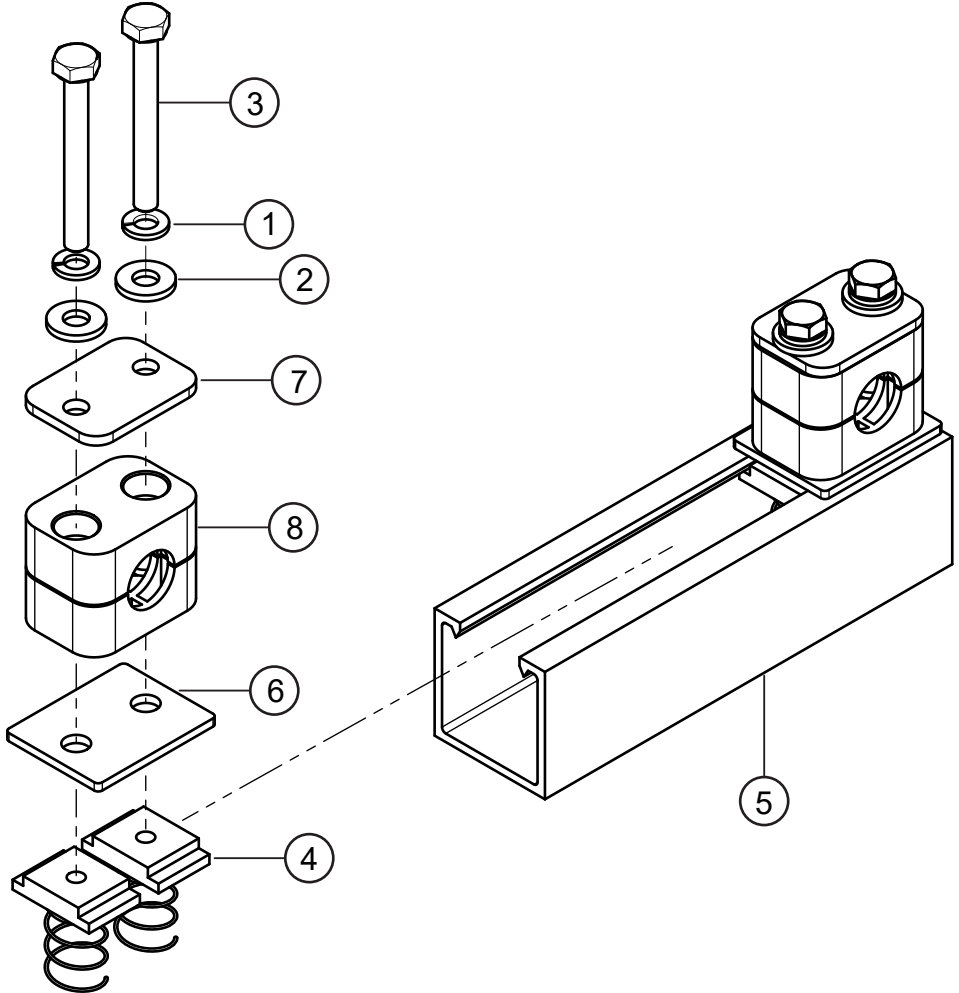


## CONTROLLER AND RELAY ASSY.

---

<u>NO.</u>	<u>PART NO.</u>	<u>PART NAME</u>	<u>QTY.</u>	<u>REMARKS</u>
1	0181 B	WASHER, LOCK 1/4 MED	4	
2	0131 A	SCREW, HHC 1/4-20 X 3/4	2	
3	948	WASHER, FLAT SAE 1/4	4	
4	2203	WASHER, FLAT, #10	2	
5	5277	SCREW, HHC 1/4-20 X 1-1/2	4	
6	07029-002	WASHER, SPLIT LOCK, #8	12	
7	15173	WASHER, FLAT, #8	10	
8	15175	SCREW, PHP 8-32 X 3/4	12	
9	15177	SCREW, PHP 10-32 X 1	2	
10	19266	NUT, BLIND 1/4-20 X .027 - .165	6	
11	19780	WASHER, LOCK #10 MED	2	
12	29797	NUT, BLIND 10-32 X .020 - .130	2	
13	35023	CLAMP, LOOM CUSHIONED #10 .263 HOLE	2	
14	49146	NUT, BLIND 8-32 X .020 - .080	12	
15	EE5739	DIODE, SNGL PHASE, FLY-BK BRIDGE, 35A	2	
16	EE58791	TERMINAL BLOCK, 15 WAY, 300 VAC	1	
17	EE60801-2	BOTTOM, CONTROL BOX	1	
18	EE60845	RELAY, DPDT, 40A, 12VDC COIL	5	
19	EE60848	CONTROLLER, PROGRAMMABLE	1	

**CLAMP ASSY.**

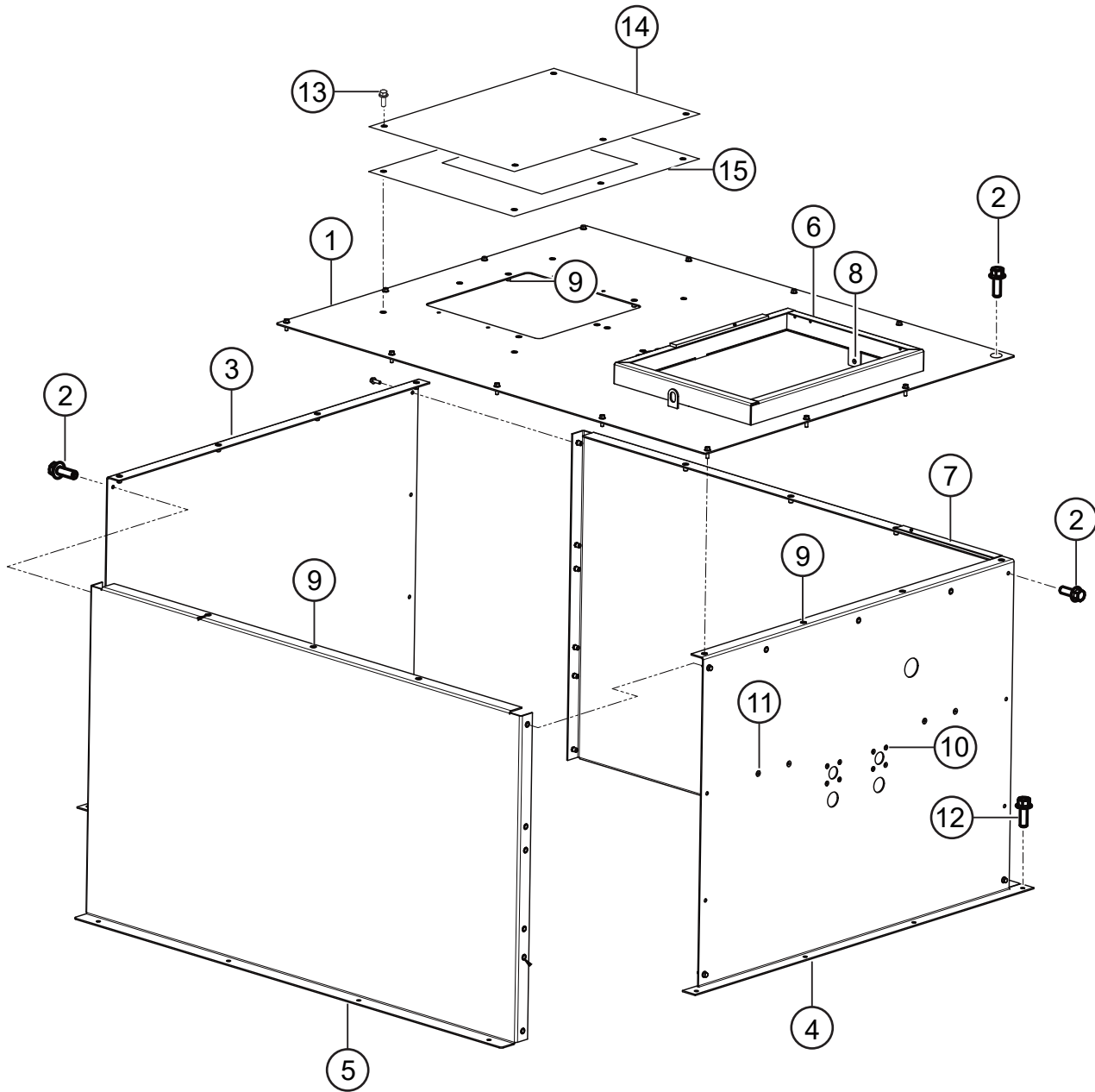


## CLAMP ASSY.

---

<u>NO.</u>	<u>PART NO.</u>	<u>PART NAME</u>	<u>QTY.</u>	<u>REMARKS</u>
1	0181 B	WASHER, LOCK 1/4 MED	4	
2	948	WASHER, FLAT SAE 1/4	4	
3	2508	SCREW, HHC 1/4-20 X 2-1/4	4	
4	EE15973	NUT, 1/4-20, W/SPRING, 1-5/8" UNISTRUT	4	
5	EE61242	CHANNEL, STRUT, 1-5/8 X 6	1	
6	EE61244	SPACER, STAUFF CLAMP, P217-2-PP	2	
7	EE61245	COVER PLATE, STAUFF CLAMP	2	
8	EE61246	CLAMP BODY 3/8" PIPE (11/16 ID)	2	

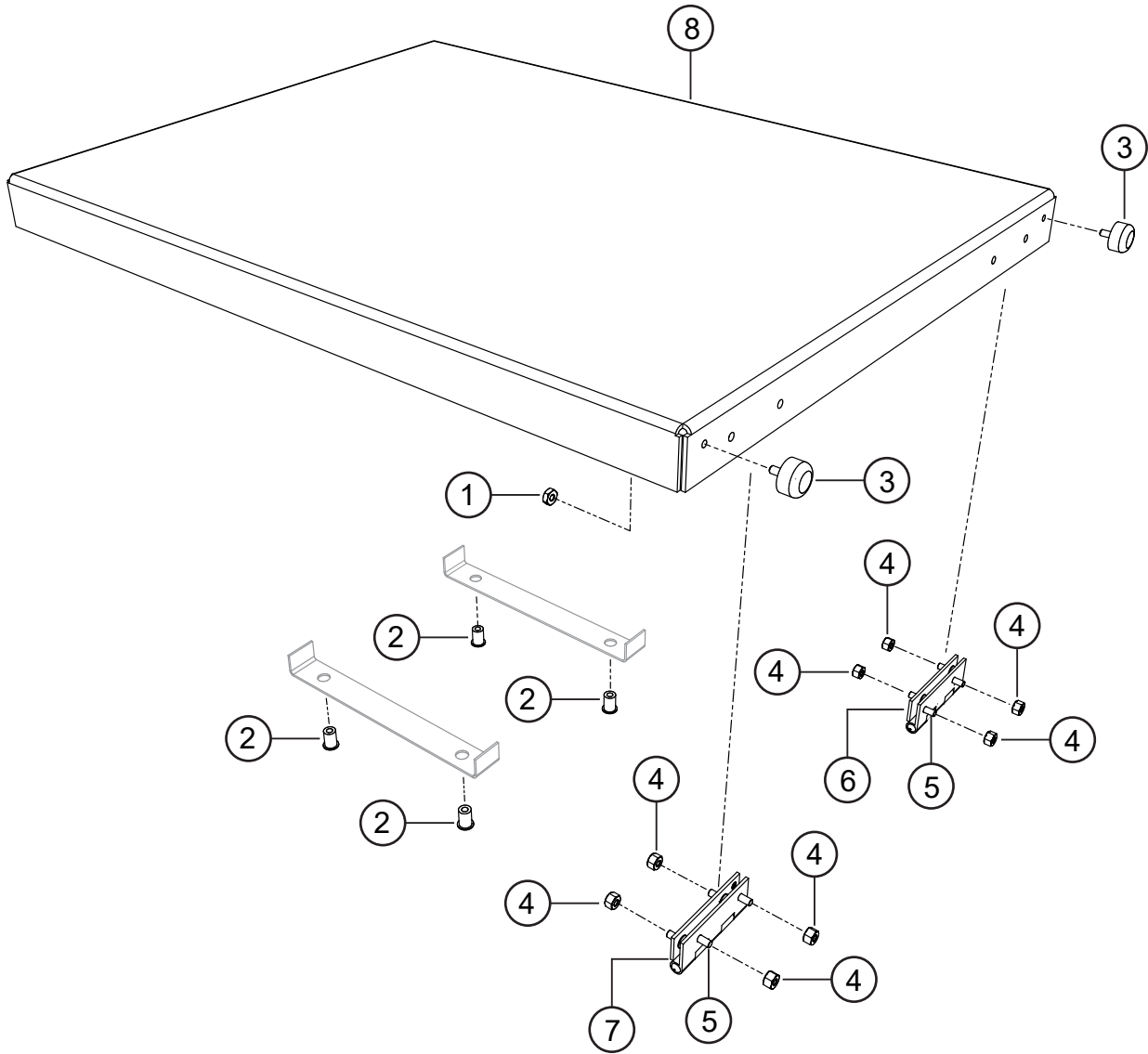
# ENCLOSURE ASSY.



## ENCLOSURE ASSY.

<u>NO.</u>	<u>PART NO.</u>	<u>PART NAME</u>	<u>QTY.</u>	<u>REMARKS</u>
1	EE61391	COVER W/A, ENCLOSURE, DEF TANK	1	
2	EE60959	SCREW, HFS 1/4-20 X 3/4 SS	26	
3	EE60301-05	PANEL, ENCLOSURE, DEF TANK-REAR	1	
4	EE60301-04	PANEL, ENCLOSURE, DEF TANK-FRONT	1	
5	EE60301-01	PANEL, ENCLOSURE, DEF TANK-SIDE	2	
6	60141	TAPE, NEOPRENE FOAM, 1/4 X 3/4 WD .....	7.....	1 PC. = 1 FT.
7	60131	TAPE, NEOPRENE FOAM W/PSA 1/16X1.....	16.....	1 PC. = 1 FT.
8	49146	NUT, BLIND 8-32	1	
9	34341	NUT, BLIND HALF-HEX, 1/4-20	57	
10	29797	NUT, BLIND 10-32	8	
11	19266	NUT, BLIND 1/4-20	4	
12	EE60959	SCREW, HFS 1/4-20 X 3/4 SS .....	22.....	DEFTANK1 ONLY
12	EE60959	SCREW, HFS 1/4-20 X 3/4 SS .....	27.....	DEFTANK2 ONLY
13	EE60959	SCREW, HFS 1/4-20 X 3/4 SS	6	
14	EE61981	COVER PLATE, ENCLOSURE, DEF FILL	1	
15	EE61801	GASKET, HOSE BOX, DEF FILL	1	

# COMPONENT ACCESS COVER ASSY.



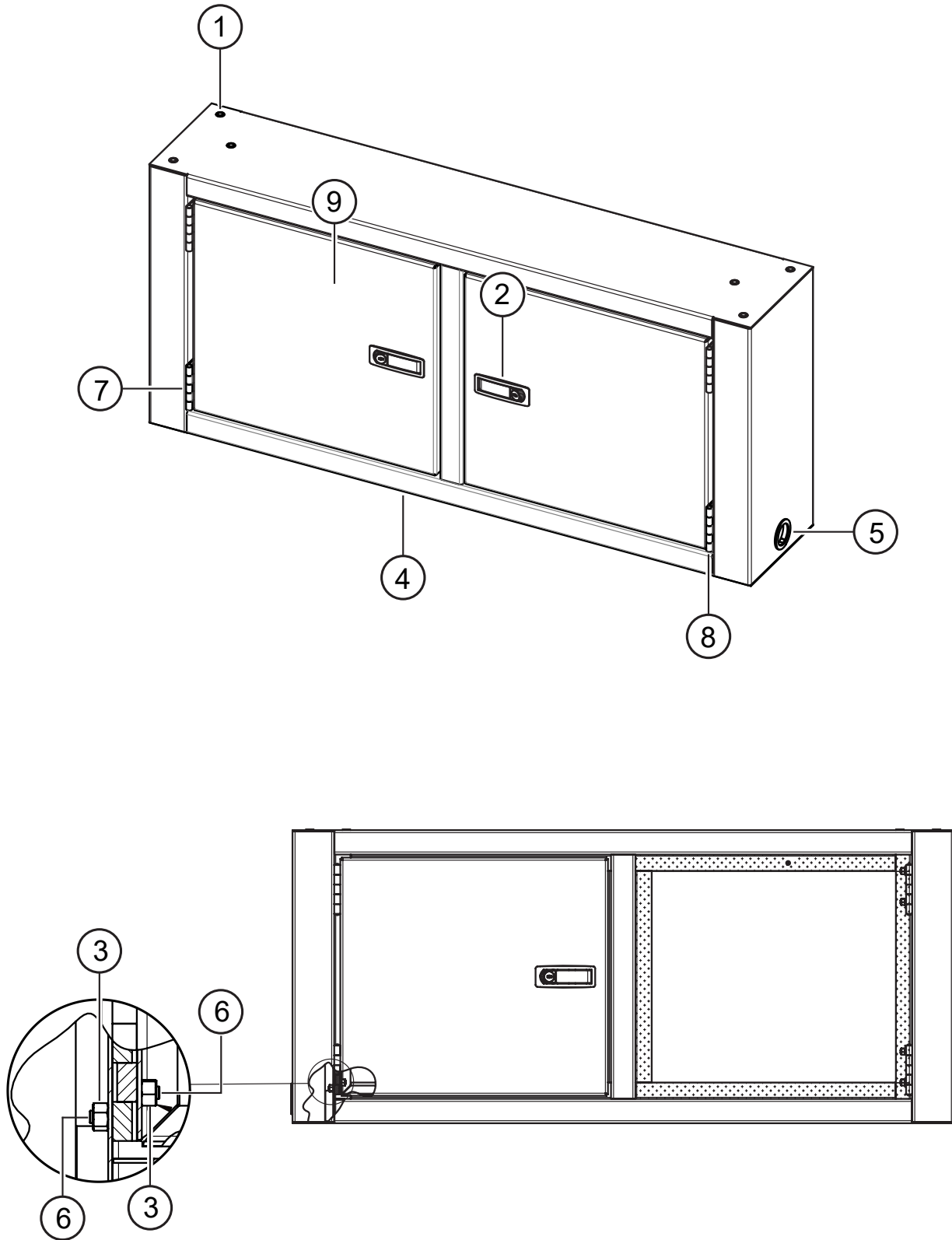
## **COMPONENT ACCESS COVER ASSY.**

---

<u>NO.</u>	<u>PART NO.</u>	<u>PART NAME</u>	<u>QTY.</u>	<u>REMARKS</u>
1	16723	NUT, HEX FIN 8-32	2	
2	19266	NUT, BLIND 1/4-20 X .027 - .165	4	
3	EE35095	BUMPER, RUBBER HEAD, 8-32 X 3/8 STUD	2	
4	EE52948	NUT NYLOC 10-32 SS	8	
5	EE62142	SCREW, BHSC, 10-32 X 7/16, SS	8	
6	EE62145	HINGE, 3X2X.09, 180 DEG SS LEFT MNT.	1	
7	EE62146	HINGE, 3X2X.09, 180 DEG SS RIGHT MNT.	1	
8	EE62165	LID W/A, ENCLOSURE, DEF TANK	1	



# CABINET ASSY.

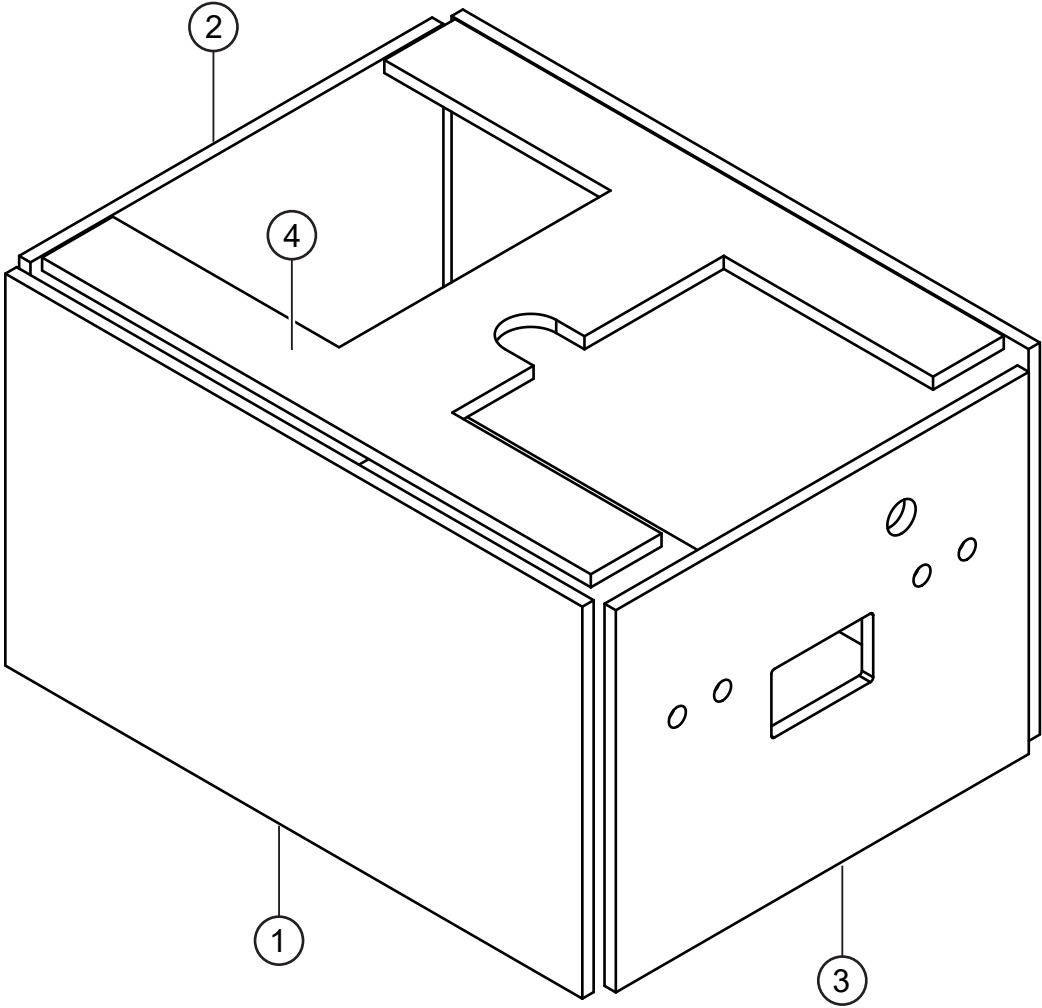


## **CABINET ASSY.**

---

<b><u>NO.</u></b>	<b><u>PART NO.</u></b>	<b><u>PART NAME</u></b>	<b><u>QTY.</u></b>	<b><u>REMARKS</u></b>
1	34341	NUT, BLIND HALF-HEX, 1/4-20	6	
2	EE16349	LATCH, LEVER, ADJ, BLK. MATTE, W/LOCK	2	
3	EE52948	NUT NYLOC 10-32 SS	16	
4	EE60421	FRAME W/A, DEF HOSE CABINET	1	
5	EE60470	BUSHING, SNAP 1.75" HOLE	2	
6	EE62142	SCREW, BHSC, 10-32 X 7/16, SS	16	
7	EE62145	HINGE, 3X2X.09, 180° SS LEFT MOUNT	2	
8	EE62146	HINGE, 3X2X.09, 180° SS RIGHT MOUNT	2	
9	EE62147	DOOR, CABINET	2	

**INSULATION KIT ASSY.**

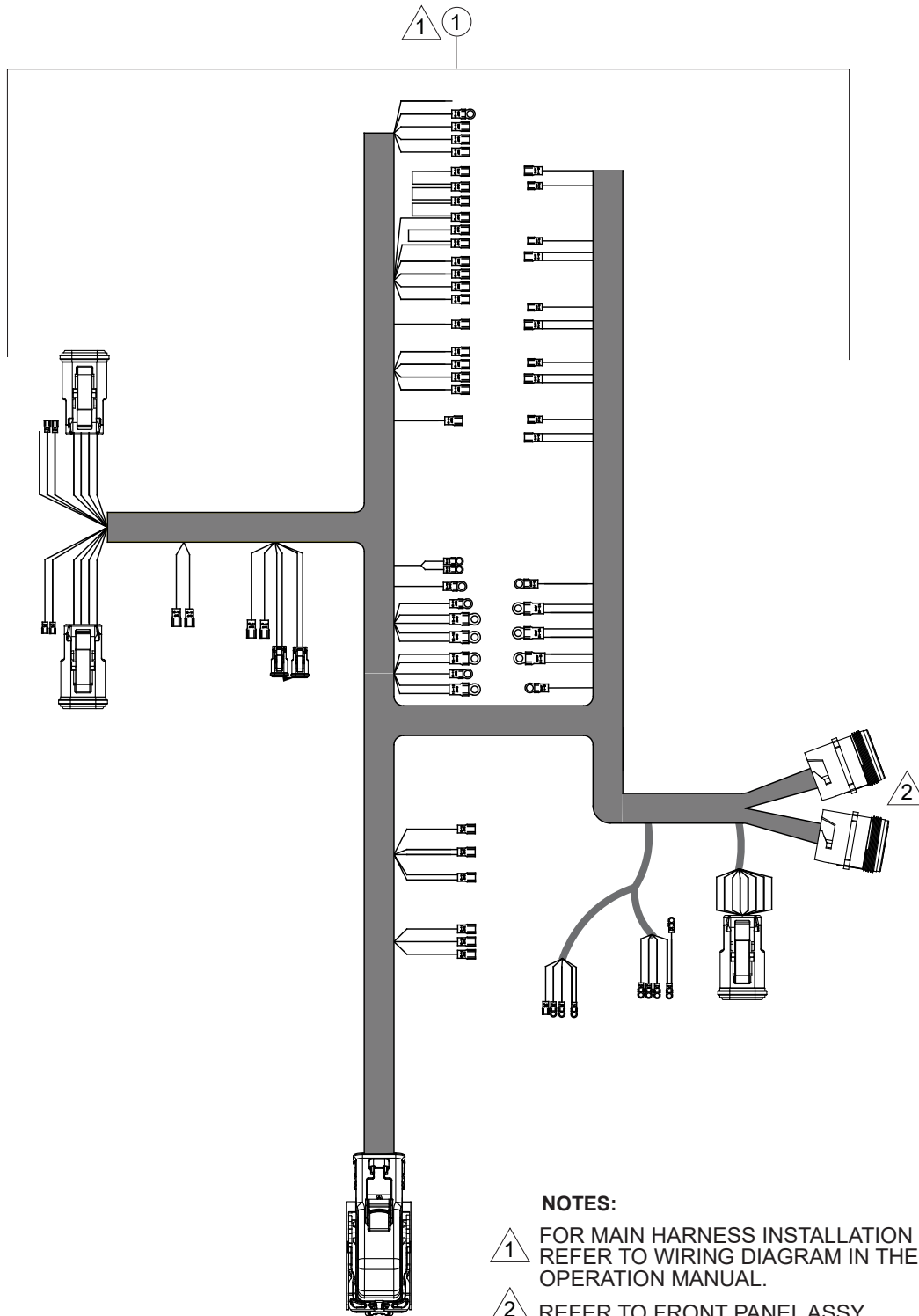


## INSULATION KIT ASSY.

---

<u>NO.</u>	<u>PART NO.</u>	<u>PART NAME</u>	<u>QTY.</u>	<u>REMARKS</u>
1	EE60489-01	INSULATION, SIDE, DEF TANK	2	
2	EE60489-02	INSULATION, BACK, DEF TANK	1	
3	EE60489-03	INSULATION, FRONT, DEF TANK	1	
4	EE60489-07	INSULATION, TOP, DEF FILL	1	

# MAIN HARNESS ASSY.

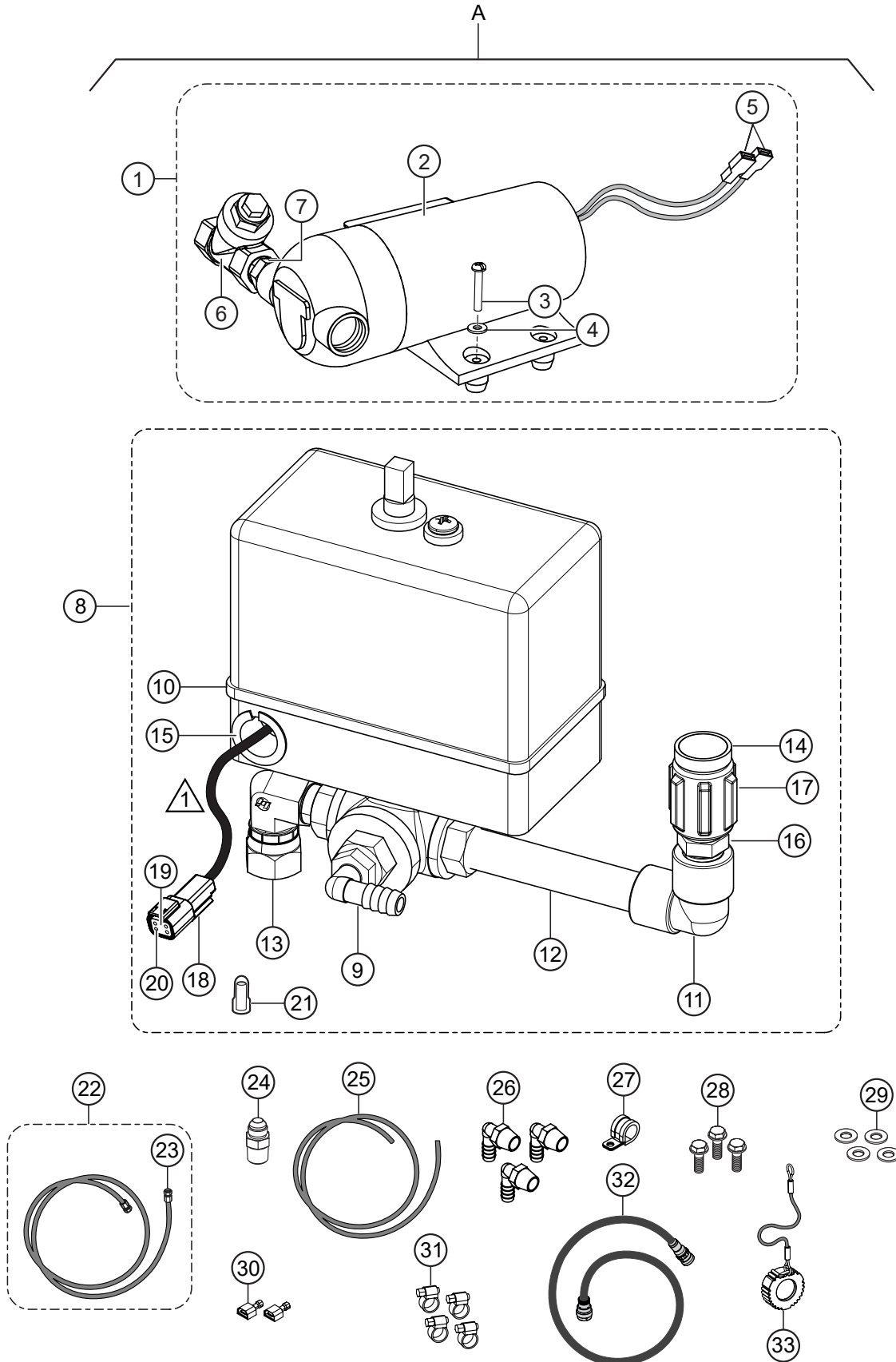


## MAIN HARNESS ASSY.

---

<u>NO.</u>	<u>PART NO.</u>	<u>PART NAME</u>	<u>QTY.</u>	<u>REMARKS</u>
1	EE61170	MAIN HARNESS	1	

# DEFTANK2KIT ASSY. (OPTION)



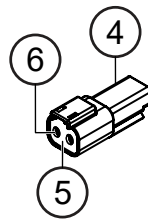
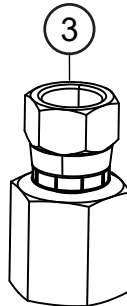
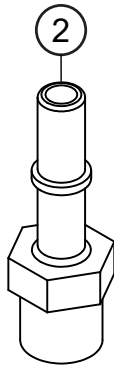
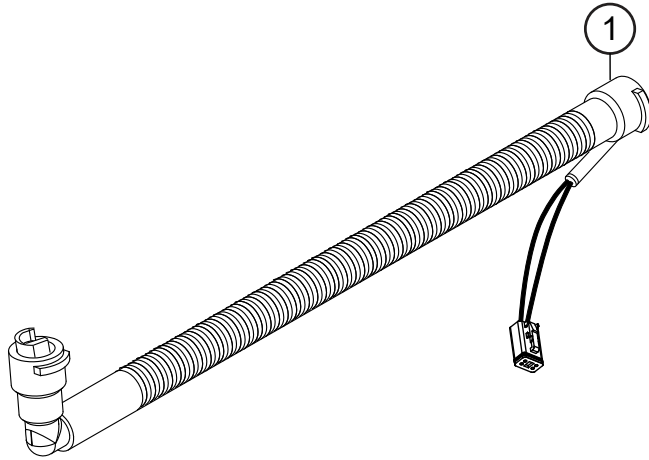
## DEFTANK2KIT ASSY. (OPTION)

<u>NO.</u>	<u>PART NO.</u>	<u>PART NAME</u>	<u>QTY.</u>	<u>REMARKS</u>
A	DEFTANK2KIT	CONVERTS DEFTANK1 TO DEFTANK2.....	1.....	INCLUDES ITEMS W/%
1%	EE60373	PUMP ASSY., DEF TANK .....	1.....	INCLUDES ITEM W/#
2#%	EE60991	PUMP, DEF, 1.8 GPM, 45 PSI, 24 VDC	1	
3#%	3458	SCREW, PHP 8-32 X 1	4	
4#%	15173	WASHER, FLAT, #8	4	
5#%	2856	TERMINAL, MALE 16-14 PUSH-ON INS	2	
6#%	EE60335	Y-STRAINER, 50 MESH 3/8" FNPT, SS	1	
7#%	EE61062	FITTING STR 3/8 MP, SS	1	
8%	EE61102	VALVE ASSY., MOTORIZED-DEF TANK .....	1.....	INCLUDES ITEM W/\$
9\$%	2925	ELBOW, 90 3/8 BARB 3/8 NPT-M	1	
10\$%	EE60243	BALL VALVE, 3-WY, ELECT., SS, 3/8", 12 VDC	1	
11\$%	EE60292	FITTING, ELBOW, 90°, 3/8" NPT (FEM), PP	1	
12\$%	EE60293	PIPE, 3/8" NPT X 3.5" LONG, SS	1	
13\$%	EE60839	FITTING, ELBOW, 3/8" NPT TO 1/2" FJS, SS	1	
14\$%	EE61206	BREATHER VENT 3/8" NPT POLYETHYLENE	1	
15\$%	EE61322	BUSHING, ANTI-SHORT, 3/4" DIA	1	
16\$%	EE61395	FITTING STR 3/8" MNPT SCH 80 POLYPRO	1	
17\$%	EE61396	FITTING STR 3/8" FNPT SCH 80 POLYPRO	1	
18\$%	EE58777	RECEPTACLE, DT 4 PIN	1	
19\$%	EE58778	WEDGE, DT 4 PIN	1	
20\$%	EE50281	PIN, SIZE 16, 14 AWG	4	
21\$%	14262	CAP, TERMINAL, INSUL. 22 AWG	1	
22@%	EE60457	HOSE ASSY., 3/8" DEF .....	1.....	INCLUDES ITEMS W/@
23@%	EE60457-01	FITTING, 6HBS X 6FJS, SS	2	
24%	EE60838	FITTING, STRAIGHT, 1/2" NPT-1/2" MJ, SS	1	
25%	EE60249	HOSE, 3/8 200 PSI BLACK	2	
26%	2925	ELBOW, 90 3/8 BARB 3/8 NPT-M	3	
27%	35023	CLAMP, LOOM #10 .263 HOLE	1	
28%	34364	SCREW, HFS 1/4-20 X 1/2 GRD. 5	3	
29%	15173	WASHER, FLAT #8	4	
30%	21618	TERMINAL TAB, .250 22 - 18 AWG	2	
31%	EE52810	CLAMP, STEPLESS EAR 19/32 - 43/64, SS	4	
32%	EE60460	COMMUNICATION CABLE 25 FT.	1	
33%	EE60826	DUST CAP, BLK., HD10 SERIES W/LANYARD	1	



# DEFHOSEHEAT ASSY. (OPTION)

---



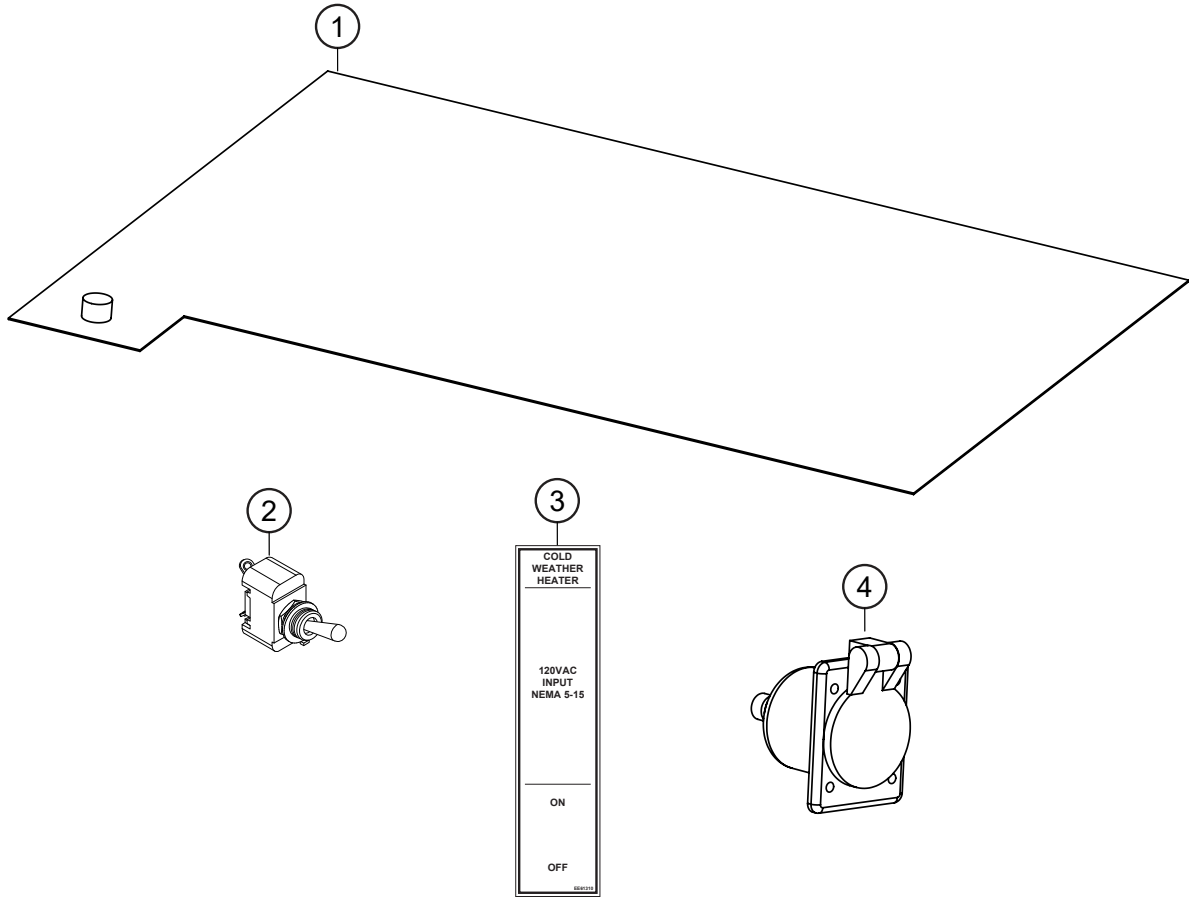
## DEFHOSEHEAT ASSY. (OPTION)

---

<u>NO.</u>	<u>PART NO.</u>	<u>PART NAME</u>	<u>QTY.</u>	<u>REMARKS</u>
1	EE60369	HOSE HEATED, STR. 90° 3/8" X 6 M 12V	1	
2	EE60329	FITTING, STR. 3/8" SAE J2044 X 3/8" NPT SS	2	
3	EE60334	FITTING, STR. 3/8" FP X 3/8" FJS SS	1	
4	EE44345	PLUG, DT SERIES 2 SOCKET	1	
5	EE44346	WEDGE, DT SERIES 2 SOCKET PL	1	
6	EE37738	PIN, SOLID NICKEL SIZE 16 14AWG	2	

# DEFTANKHEATPAD ASSY. (OPTION)

---

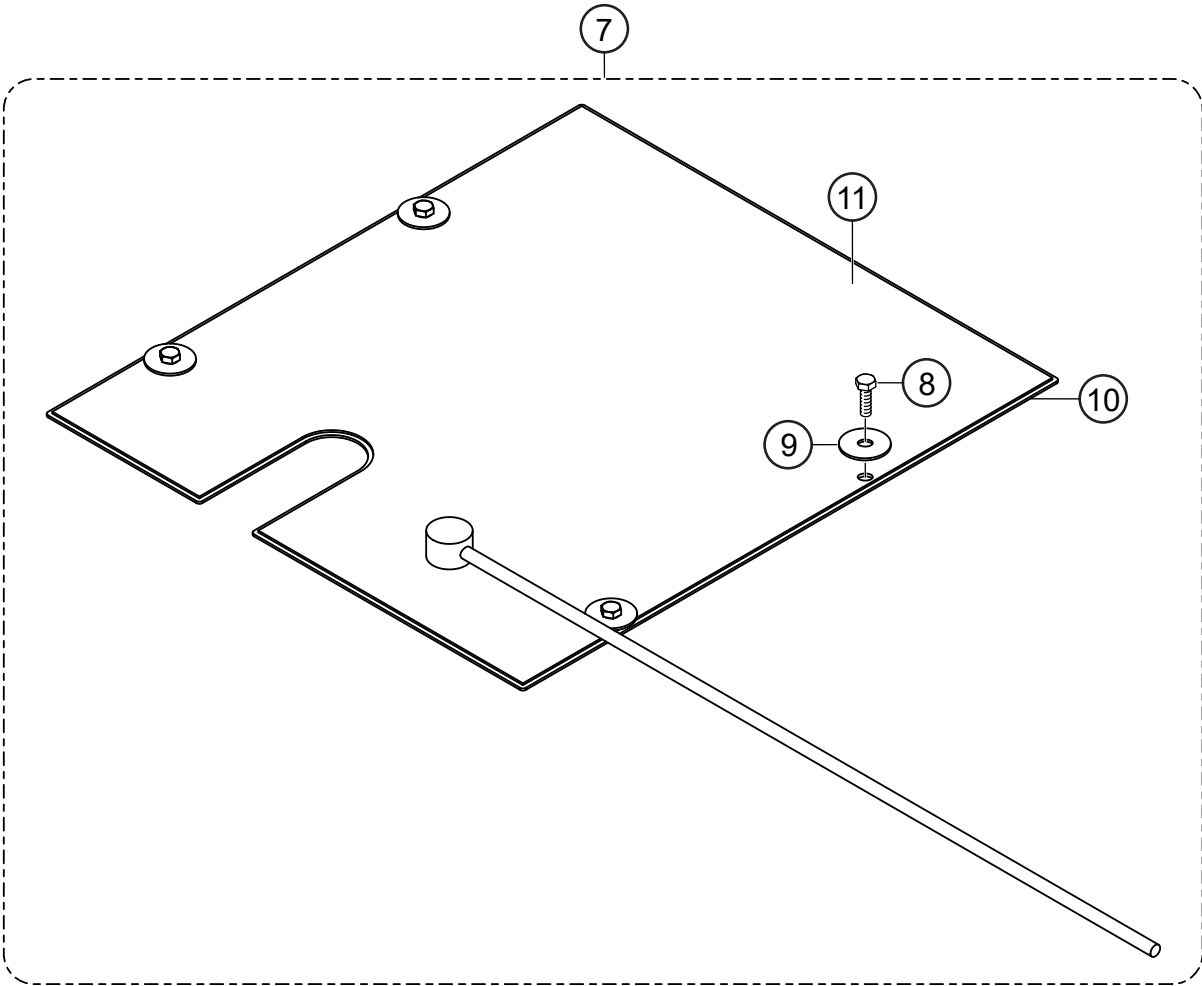
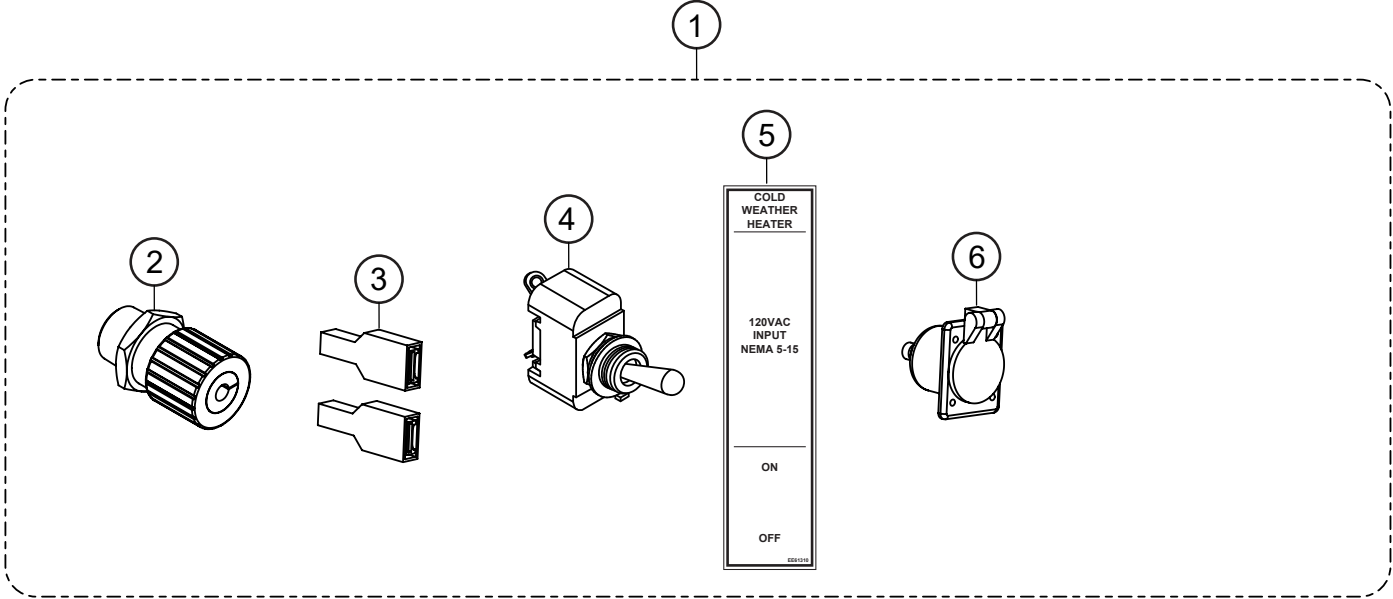


## DEFTANKHEATPAD ASSY. (OPTION)

---

<u>NO.</u>	<u>PART NO.</u>	<u>PART NAME</u>	<u>QTY.</u>	<u>REMARKS</u>
1	EE61109	HEAT PAD, SILICONE 1500W 115VAC	1	
2	EE24074	SWITCH, TOGGLE 1 POLE 2 POS.	1	
3	EE61310	DECAL, DEFTANK COLD WEATHER HTR.	1	
4	EE6099	INLET REC. COVER, MALE 15A	1	

# DEFHEATPAD ASSY. (OPTION)

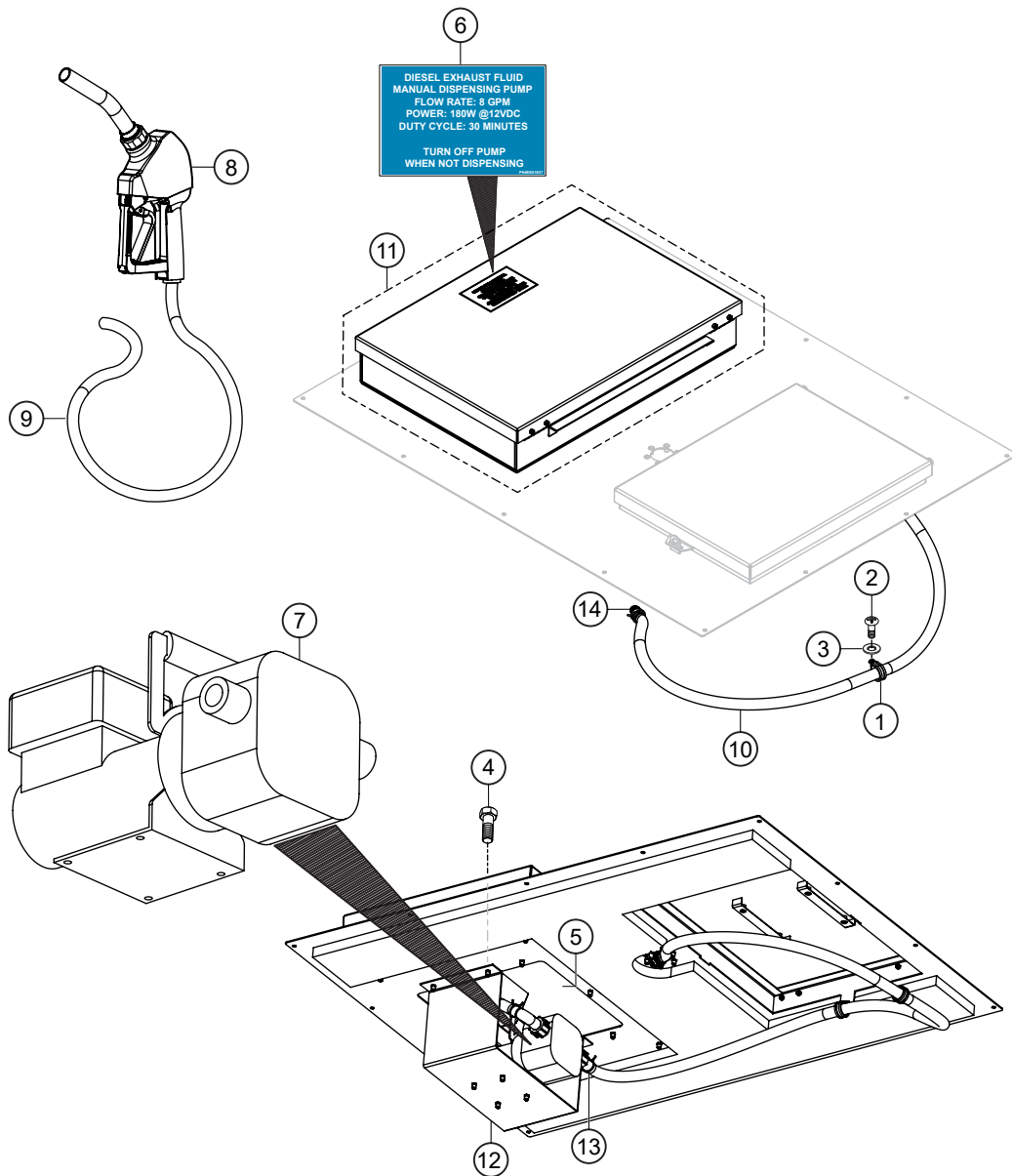


## DEFHEATPAD ASSY. (OPTION)

---

<u>NO.</u>	<u>PART NO.</u>	<u>PART NAME</u>	<u>QTY.</u>	<u>REMARKS</u>
1	EE62296	HEAT PAD KIT, DEF SYSTEM.....	1.....	INCLUDES ITEMS W/#
2#	EE62282	CORD GRIP, .25-.35 CORD OD.	1	
3#	11947	TERMINAL, FEM. PUSH 16-14 INSUL.	2	
4#	EE24074	SWITCH, TOGGLE 1 POLE 2 POS.	1	
5#	EE61310	DECAL, DEFTANK COLD WEATHER HTR.	1	
6#	EE6099	INLET REC. COVER, MALE 15A	1	
7	EE63894	HEAT PLATE ASSY., DEF SYSTEM.....	1.....	INCLUDES ITEMS W/%
8%	0131 A	SCREW, HHC 1/4-20 X 3/4	4	
9%	10930	WASHER, FENDER	4	
10%	EE63895	BACK PLATE, HEAT PAD	1	
11%	EE62017	HEAT PAD, SILICONE 1200W	1	

# DEFDISPENSERKIT ASSY. (OPTION)



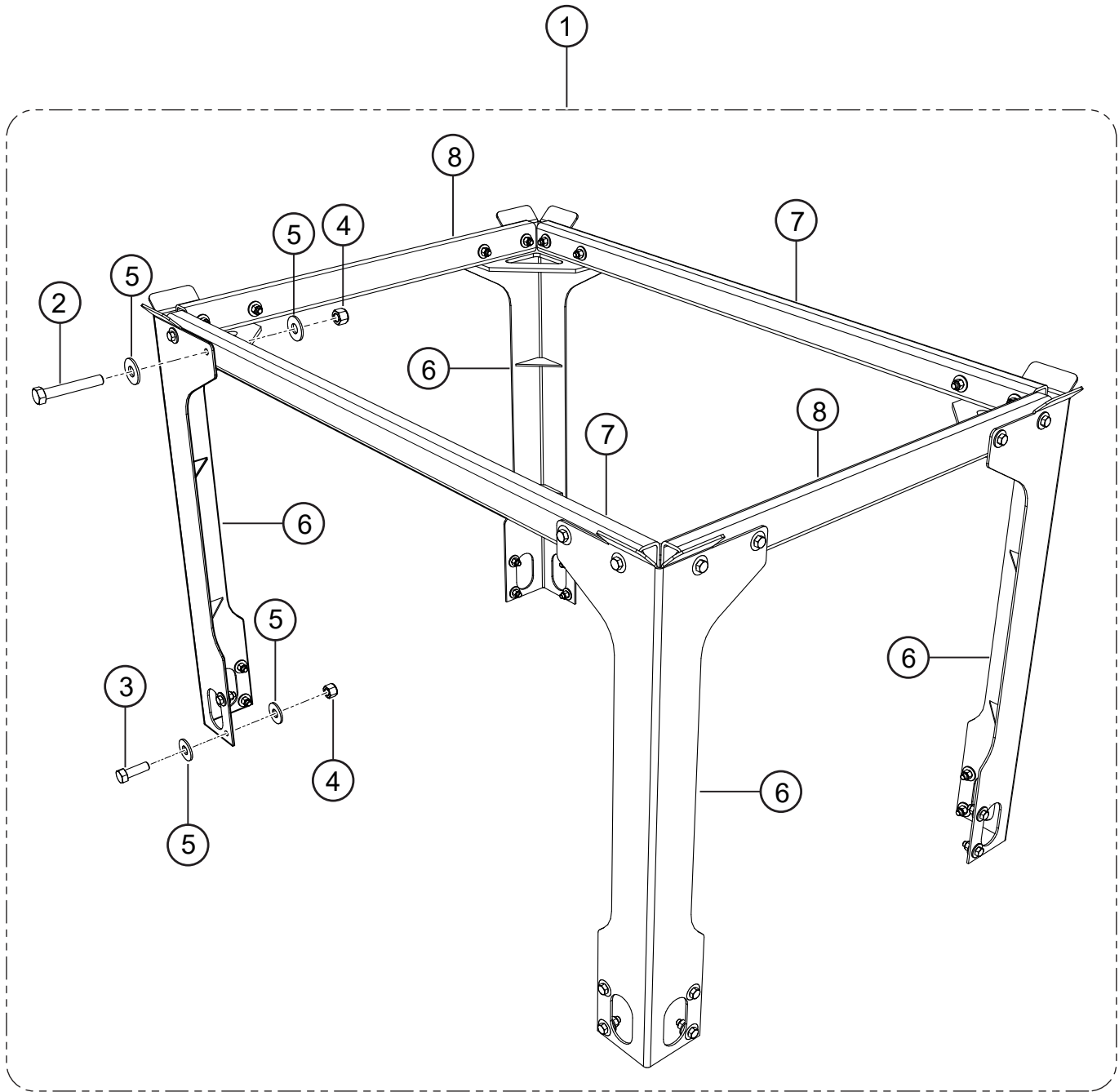
## DEFDISPENSERKIT ASSY. (OPTION)

---

<u>NO.</u>	<u>PART NO.</u>	<u>PART NAME</u>	<u>QTY.</u>	<u>REMARKS</u>
1	30017	LOOP CLAMP, CUSHIONED 1-1/4	2	
2	1307	SCREW, PHP 8-32 X 1/2	2	
3	15173	WASHER, FLAT #8	2	
4	EE60959	SCREW, HFS 1/4-20 X 3/4 SS	12	
5	EE61790	COVER PLATE, DEF PUMP	1	
6	EE61807	DECAL, DEF TANK PUMP	1	
7	EE61808	PUMP, DEF FILL-RITE 12V	1	
8	EE61811	NOZZLE, DEF 3/4"	1	
9	EE61979	HOSE, DEF 3/4 ID (25 FT.)	1	
10	EE61979	HOSE, DEF 3/4 ID (5 FT.)	1	
11	EE62092	STORAGE BOX	1	
12	EE62109	BRACKET ASSY., PUMP	1	
13	EE62192	CLAMP, SPRING 1" DIA., SS	4	
14	EE62193	FITTING, POLY STR. 12BARB-1/2MP	1	



# STACKING ASSY. (OPTION)



## STACKING ASSY. (OPTION)

---

<u>NO.</u>	<u>PART NO.</u>	<u>PART NAME</u>	<u>QTY.</u>	<u>REMARKS</u>
1	DEFTANKSTACKKITP	STACK ASSY., BLACK PAINTED .....	1.....	INCLUDES ITEMS W/#
1	DEFTANKSTACKKITG	STACK ASSY., GALVANIZED .....	1.....	INCLUDES ITEMS W/%
2#%	06503-026	SCREW, HHC 1/2-13 X 3-1/4	16	
3#%	5218	SCREW, HHC1/2-13 X 1-1/2	16	
4#%	10176	NUT, NYLOC 1/2-13	32	
5#%	13211	WASHER, FLAT 1/2 USS	64	
6#	EE61385	POST W/A, CAGE, DEF TANK	4	
6%	EE61404	POST W/A, CAGE, DEF TANK	4	
7#	EE61386	BEAM, SIDE, DEF TANK CAGE	2	
7%	EE61405	BEAM, SIDE, DEF TANK CAGE	2	
8#	EE61387	BEAM, END, DEF TANK CAGE	2	
8%	EE61406	BEAM, END, DEF TANK CAGE	2	