

PARTS MANUAL



MODEL DCA40SSKU4F 60HZ WHISPERWATT™ GENERATOR (KUBOTA V2403-CR-T DIESEL ENGINE)

PARTS LIST NO. M1871300604

Revision #0 (03/02/18)



THIS MANUAL MUST ACCOMPANY THE EQUIPMENT AT ALL TIMES.

DCA40SSKU4F 60 HZ GENERATOR

Table Of Contents.....	2
Parts Ordering Procedures.....	3
Explanation Of Code In Remarks Column.....	4
Suggested Spare Parts	5

Component Drawings

Generator Assembly.....	6-7
Control Panel Assembly	8-9
Control Box Assembly	10-13
Load Bank Assembly.....	14-15
Engine And Radiator Assembly	16-19
Output Terminal Assembly	20-21
Battery Assembly	22-23
Muffler Assembly	24-25
Fuel Tank Assembly	26-27
Enclosure Assembly	28-33
Rubber Seals Assembly	34-35
Battery Charger Assembly (Option)	36-37
Engine Block Heating Element Assy. (Option)..	38-39
Nameplate And Decals Assembly	40-43

Terms And Conditions Of Sale — Parts	44
--	----

NOTICE

Specifications and part numbers are subject to change without notice.

EXPLANATION OF CODE IN REMARKS COLUMN

The following section explains the different symbols and remarks used in the Parts section of this manual. Use the help numbers found on the back page of the manual if there are any questions.

NOTICE

The contents and part numbers listed in the parts section are subject to change **without notice**. Multiquip does not guarantee the availability of the parts listed.

SAMPLE PARTS LIST

NO.	PART NO.	PART NAME	QTY.	REMARKS
1	12345	BOLT	1	INCLUDES ITEMS W/%
2%		WASHER, 1/4 IN.		NOT SOLD SEPARATELY
2%	12347	WASHER, 3/8 IN. ...	1	MQ-45T ONLY
3	12348	HOSE	A/R	MAKE LOCALLY
4	12349	BEARING	1	S/N 2345B AND ABOVE

NO. Column

Unique Symbols — All items with same unique symbol (@, #, +, %, or >) in the number column belong to the same assembly or kit, which is indicated by a note in the “Remarks” column.

Duplicate Item Numbers — Duplicate numbers indicate multiple part numbers, which are in effect for the same general item, such as different size saw blade guards in use or a part that has been updated on newer versions of the same machine.

NOTICE

When ordering a part that has more than one item number listed, check the remarks column for help in determining the proper part to order.

PART NO. Column

Numbers Used — Part numbers can be indicated by a number, a blank entry, or TBD.

TBD (To Be Determined) is generally used to show a part that has not been assigned a formal part number at the time of publication.

A blank entry generally indicates that the item is not sold separately or is not sold by Multiquip. Other entries will be clarified in the “Remarks” Column.

QTY. Column

Numbers Used — Item quantity can be indicated by a number, a blank entry, or A/R.

A/R (As Required) is generally used for hoses or other parts that are sold in bulk and cut to length.

A blank entry generally indicates that the item is not sold separately. Other entries will be clarified in the “Remarks” Column.

REMARKS Column

Some of the most common notes found in the “Remarks” Column are listed below. Other additional notes needed to describe the item can also be shown.

Assembly/Kit — All items on the parts list with the same unique symbol will be included when this item is purchased.

Indicated by:

“INCLUDES ITEMS W/(unique symbol)”

Serial Number Break — Used to list an effective serial number range where a particular part is used.

Indicated by:

“S/N XXXXX AND BELOW”

“S/N XXXX AND ABOVE”

“S/N XXXX TO S/N XXX”

Specific Model Number Use — Indicates that the part is used only with the specific model number or model number variant listed. It can also be used to show a part is NOT used on a specific model or model number variant.

Indicated by:

“XXXXX ONLY”

“NOT USED ON XXXX”

“Make/Obtain Locally” — Indicates that the part can be purchased at any hardware shop or made out of available items. Examples include battery cables, shims, and certain washers and nuts.

“Not Sold Separately” — Indicates that an item cannot be purchased as a separate item and is either part of an assembly/kit that can be purchased, or is not available for sale through Multiquip.

SUGGESTED SPARE PARTS

DCA40SSKU4F WHISPERWATT GENERATOR WITH KUBOTA V2403-CR-T DIESEL ENGINE

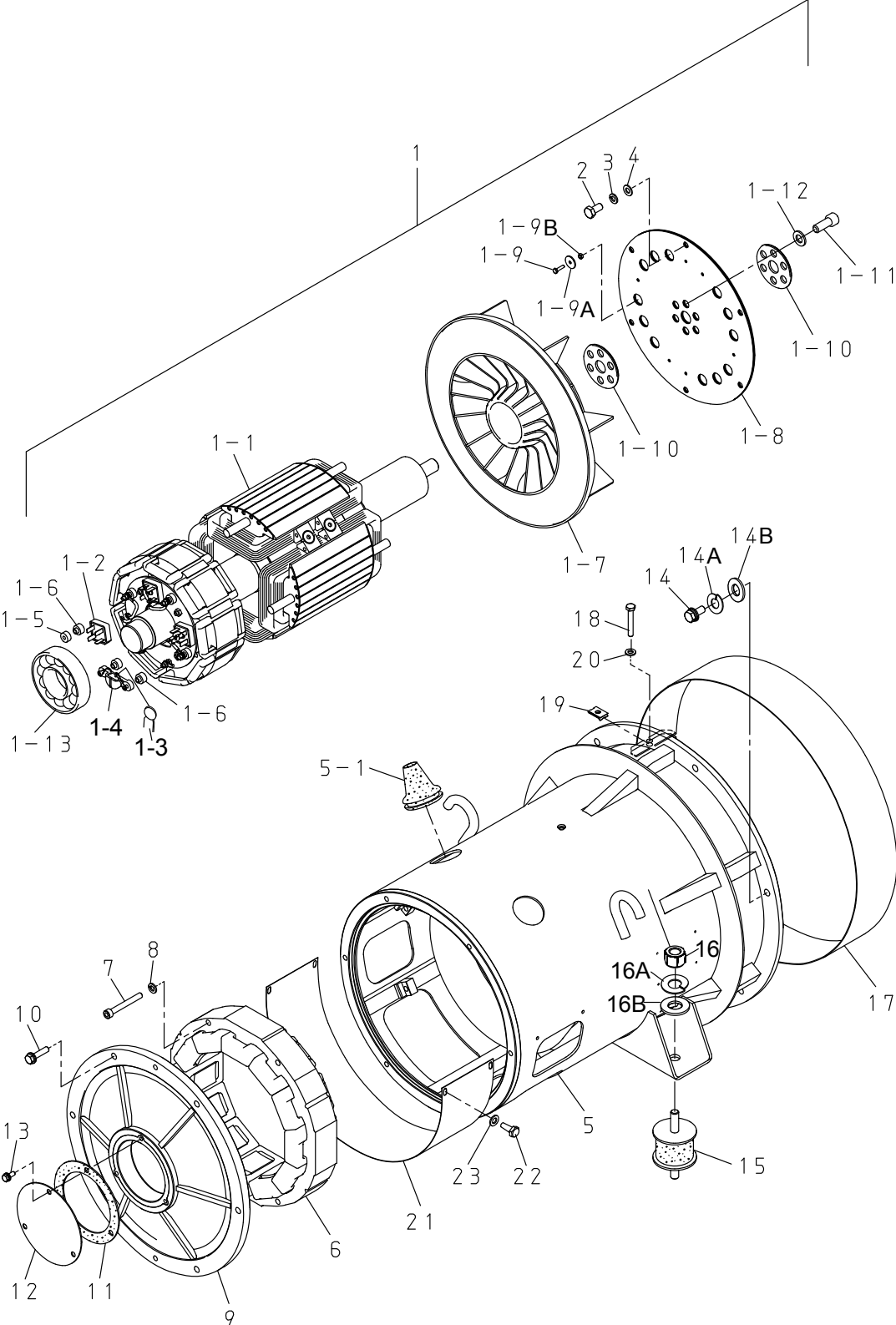
1 to 3 units

Qty.	P/N	Description
1.....	M1311501203.....	RADIATOR HOSE, UPPER
1.....	M1311501303.....	RADIATOR HOSE, LOWER
5.....	7000032091.....	CARTRIDGE, OIL FILTER
5.....	1J80043171.....	CARTRIDGE, FUEL FILTER
5.....	1J43043061.....	CARTRIDGE, WATER SEPARATOR
5.....	3A11119130.....	ELEMENT, AIR CLEANER (OUTER)
5.....	5980026110.....	ELEMENT, AIR CLEANER (INNER)
1.....	0601831395.....	AUTO START/STOP SWITCH
3.....	82608.....	ENGINE SPEED SWITCH
1.....	0601820608.....	AUTOMATIC VOLTAGE REGULATOR
1.....	0601840073.....	RHEOSTAT VOLTAGE REGULATOR
1.....	0601840100.....	KNOB, RHEOSTAT
2.....	0605505070.....	FUEL TANK CAP
3.....	1G35497010.....	FAN BELT
1.....	0601870440.....	CIRCUIT BREAKER, 1P 20A
1.....	0601870441.....	CIRCUIT BREAKER, 2P 50A
1.....	LY2DUS12VDC	RELAY
2.....	0601806642.....	FUSE, 5A
2.....	Y0601806683.....	FUSE, 8A
2.....	Y0601806647.....	FUSE, 25A
2.....	Y0601872530.....	FUSE, 45A
2.....	0601806640.....	FUSE, 65A

NOTICE

Part numbers on this Suggested Spare Parts list may supersede/replace the part numbers shown in the following parts lists.

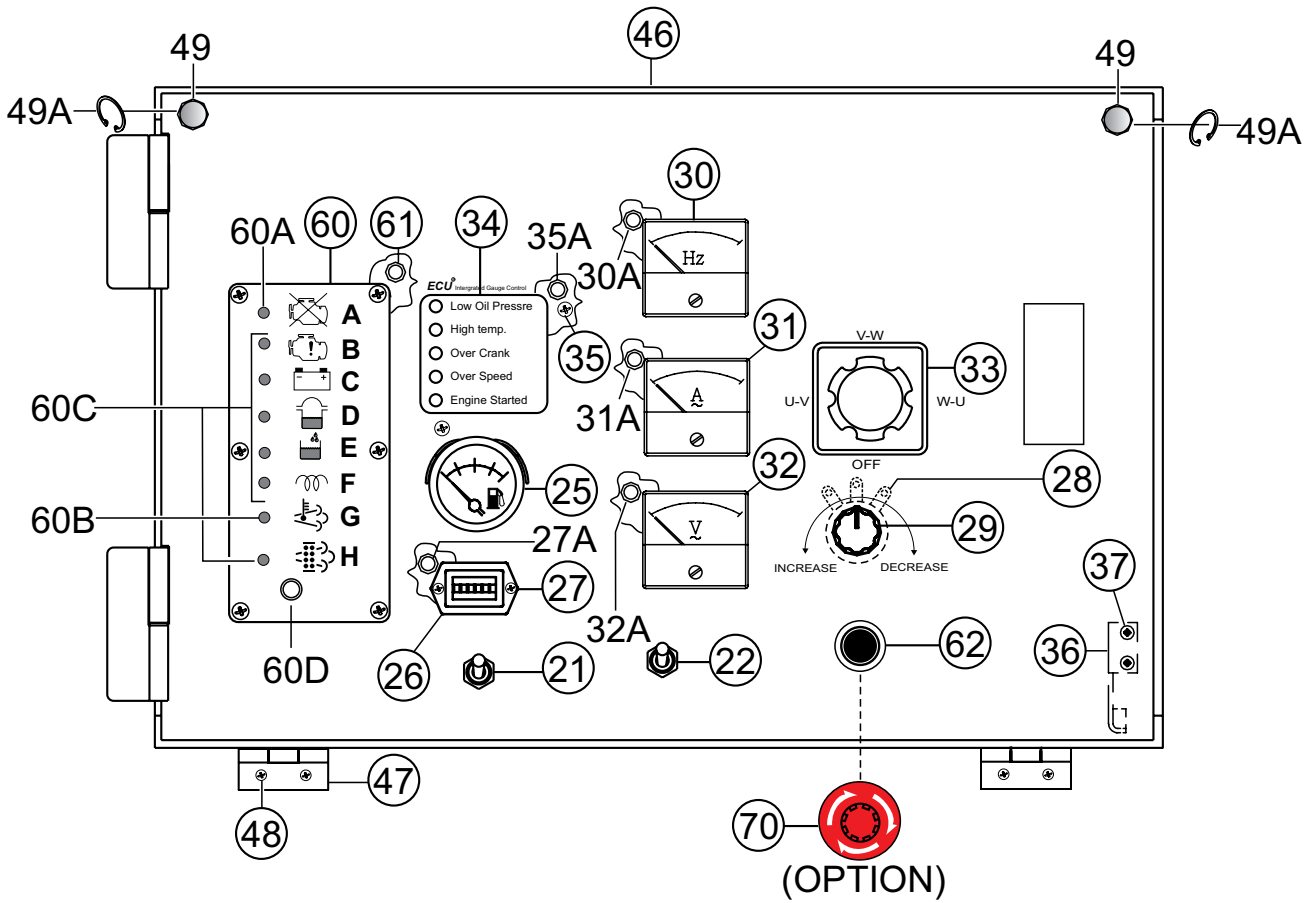
GENERATOR ASSY.



GENERATOR ASSY.

<u>NO.</u>	<u>PART NO.</u>	<u>PART NAME</u>	<u>QTY.</u>	<u>REMARKS</u>
1	B3110100802	ROTOR ASSEMBLY	1.....	INCLUDES ITEMS W/#
1-1#		FIELD ASSEMBLY	1	
1-2#	0601820083	RECTIFIER	3	
1-3#	0601822664	ZNR , SURGE ABSORBER	1	
1-4#	B3120100804	HOLDER, ZNR	1	
1-5#	B3120100604	INSULATOR WASHER	3	
1-6#	B3120100704	INSULATOR WASHER	5	
1-7#	B3111100603	FAN	1	
1-8#	B3163100204	COUPLING DISK.....	3.....	PURCHASE 1-9 AT SAME TIME
1-9#	Y0019104016	HEX. HEAD BOLT	1	
1-9A#	B4163700004	BALANCING WEIGHT	1	
1-9B#	Y0204104000	U-NUT	1	
1-10#	B3163200104	COUPLING WASHER	2	
1-11#	0342612030	HEX. SOCKET HEAD CAP SCREW	6	
1-12#	0046512000	WASHER, FLAT	6	
1-13#	0071906309	BEARING	1	
2#	014208020	HEX. HEAD BOLT.....	6.....	REPLACES P/N 0010308020
3#	0040008000	WASHER, LOCK	6	
4#	0401450080	WASHER, FLAT	6.....	REPLACES P/N 0041208000
5	B3130101003	STATOR ASSEMBLY	1	
5-1	0845041904	GROMMET	2	
6	B3137000803	FIELD ASSEMBLY, EXCITER	1	
7	0016008060	HEX. SOCKET HEAD CAP SCREW	4	
8	0042508000	WASHER, LOCK	4	
9	B3153000513	END BRACKET	1	
10	0017108035	HEX. HEAD BOLT	6	
11	B3153400504	PACKING	1	
12	B3153400404	COVER, BEARING	1	
13	0017106016	HEX. HEAD BOLT	3	
14	0012410025	HEX. HEAD BOLT	6	
14A	0040010000	SPRING WASHER	6	
14B	0041210000	PLAIN WASHER	6	
15	Y0605000461	RUBBER SUSPENSION	2	
16	0030012000	HEX. NUT	2	
16A	0040012000	WASHER, LOCK	2	
16B	031112230	WASHER, FLAT	2.....	REPLACES P/N 0041212000
17	B5131300004	COVER. END BRACKET	1	
18	0340406040	HEX. HEAD BOLT	1	
19	020106050	U-NUT.....	1.....	REPLACES P/N 0600815000
20	952404470	WASHER, FLAT	1.....	REPLACES P/N 0041206000
21	B3131300804	COVER, END BRACKET	1	
22	0029205012	MACHINE SCREW	4	
23	0401450050	WASHER, FLAT	4.....	REPLACES P/N 0041205000

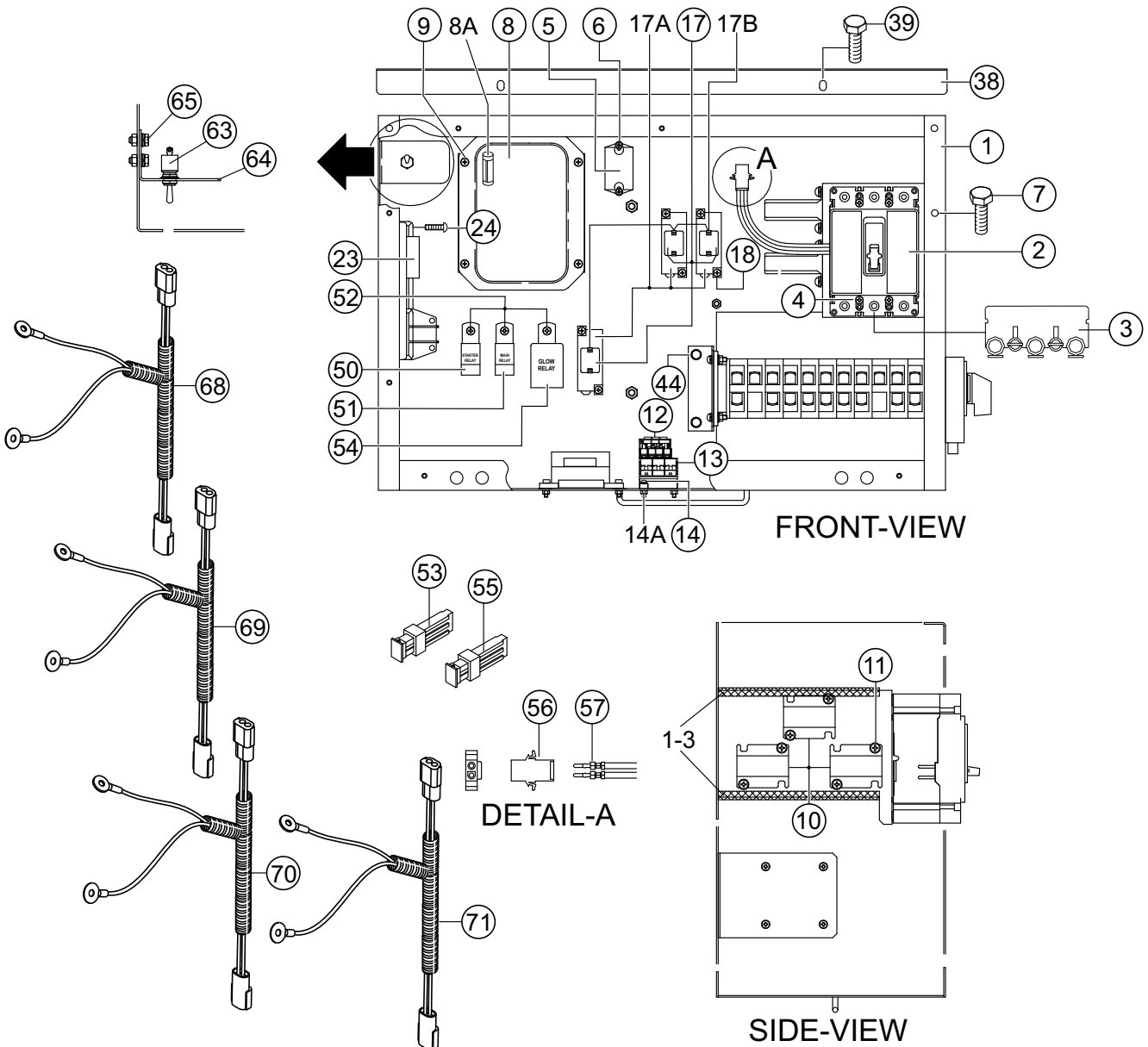
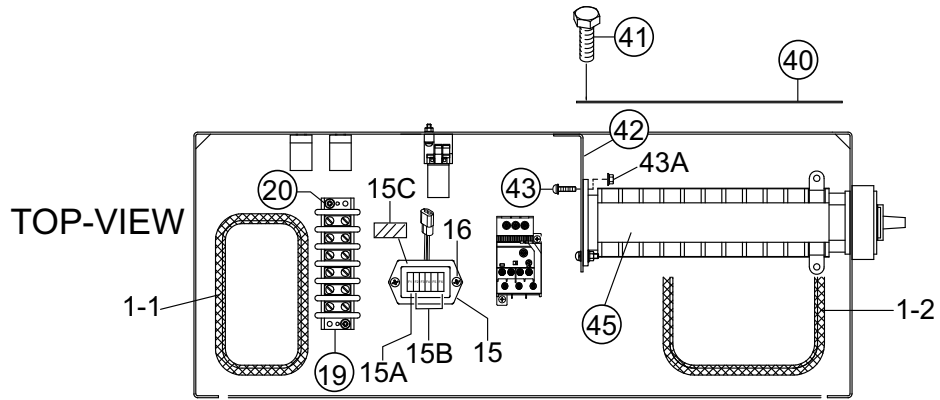
CONTROL PANEL ASSY.



CONTROL PANEL ASSY.

<u>NO.</u>	<u>PART NO.</u>	<u>PART NAME</u>	<u>QTY.</u>	<u>REMARKS</u>
21	82608	AUTO START/STOP SWITCH	1.....	REPLACES P/N 0601831340
22	0601831395	ENGINE SPEED SWITCH	1	
25	0602125090	FUEL GAUGE	1	
26	0601800682	HOUR METER	1	
27	0027103015	MACHINE SCREW	2	
27A	0207003000	SELF-LOCKING NUT	2	
28	0601840073	RHEOSTAT VOLT. REGULATOR 2W 1K Ω	1	
29	0601840100	KNOB.....	1.....	REPLACES P/N 0601840121
30	0601807641	FREQUENCY METER, 45~65HZ 240V	1.....	REPLACES P/N Y0601807631
30A	0207003000	SELF-LOCKING NUT	2	
31	0601808986	AC AMMETER, 0~75A. 0~150A/5A.....	1.....	REPLACES P/N Y0601817033
31A	0207003000	SELF-LOCKING NUT	2	
32	0601806947	AC VOLTMETER, 0~600V	1	
32A	0207003000	SELF-LOCKING NUT	2	
33	0601801040	CHANGE-OVER SWITCH, AMMETER	1	
34	Y0602203000	CONTROLLER	1	
35	0021004040	MACHINE SCREW	2	
35A	OEMAA8	SELF-LOCKING NUT	2.....	REPLACES P/N 0207004000
36	M1224100104	STOPPER	1	
37	0027105010	MACHINE SCREW	2	
46	M1224000403	CONTROL PANEL	1	
47	M9110100404	HINGE	2	
48	0027105010	MACHINE SCREW	4	
49	M9220100004	SET SCREW	2	
49A	0080200007	E-SNAP RING	2	
60	M1224200004	MOUNTING PLATE INDICATOR	1	
60A	Y0601814114	LED	1	
60B	Y0601814117	LED	1	
60C	Y0601814116	LED	6	
60D	0601831205	SWITCH, PUSHBUTTON	1	
61	0176060030	SELF-LOCKING NUT	4.....	REPLACES P/N 0207006000
62	Y0601851754	GROMMET	1	
70	EE55989	E-STOP SWITCH	1.....	OPTION

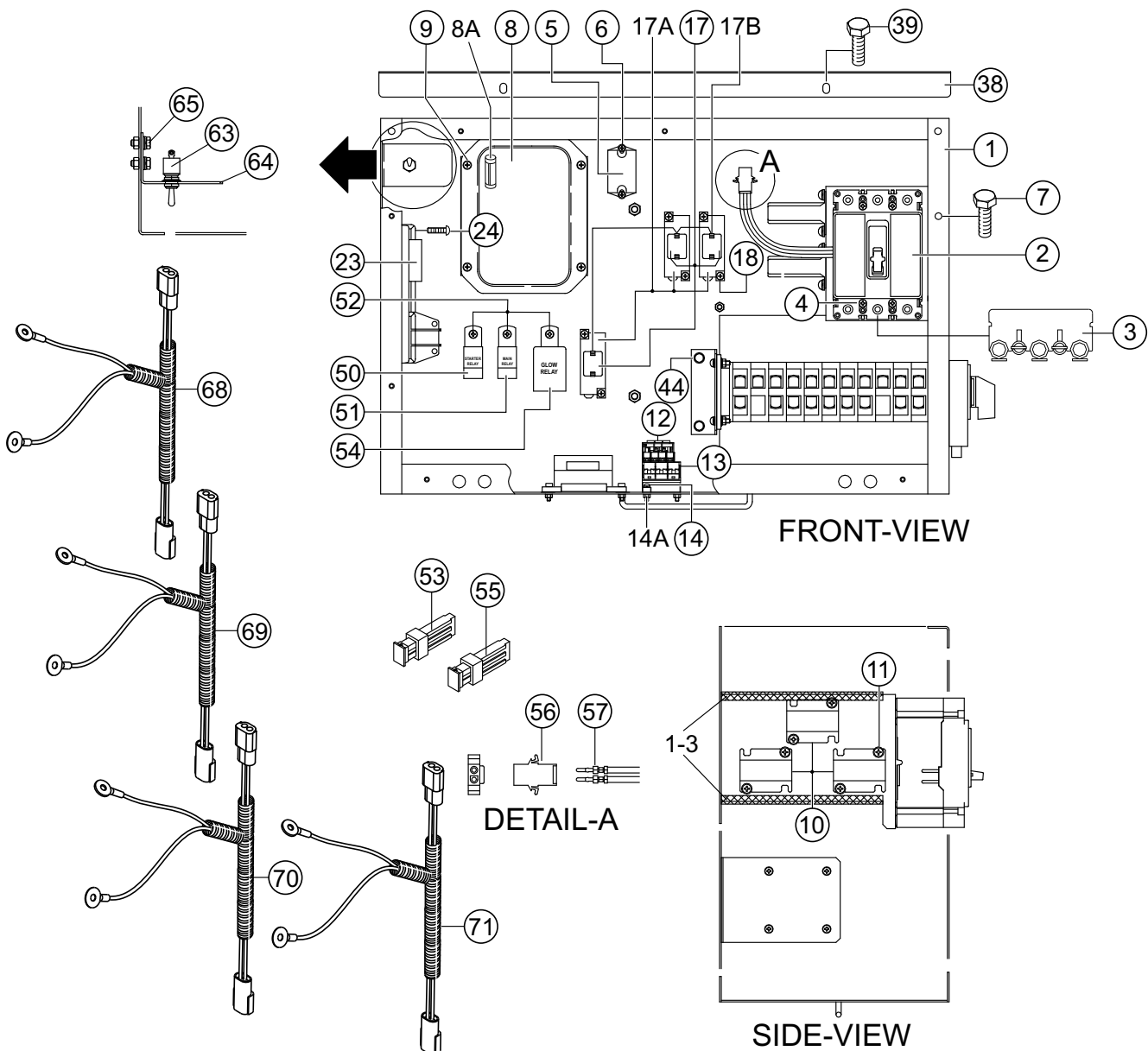
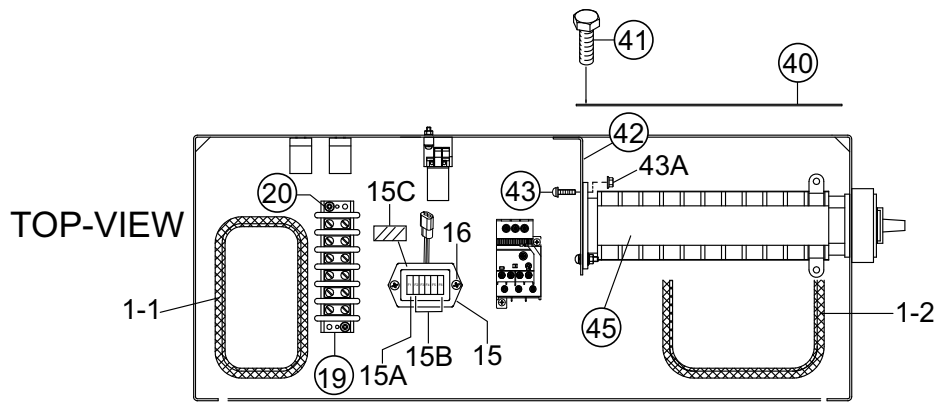
CONTROL BOX ASSY.



CONTROL BOX ASSY.

<u>NO.</u>	<u>PART NO.</u>	<u>PART NAME</u>	<u>QTY.</u>	<u>REMARKS</u>
1	M1214000902	CONTROL BOX	1	
1-1	Y0330000400	EDGE TRIM	1	
1-2	Y0330000555	EDGE TRIM	1	
1-3	Y0330000190	EDGE TRIM	2	
2	0601870431	CIRCUIT BREAKER, 3P 110A 12VDC	1	
3	0601870490	END CAP KIT	2	
4	0021004040	MACHINE SCREW	4	
5	0601823863	RELAY UNIT	1	
6	0027104015	MACHINE SCREW	2	
7	0016906015	HEX. HEAD BOLT	10	
8	0601820608	AUTOMATIC VOLTAGE REGULATOR	1	
8A	Y0601806683	FUSE, 250V 8A	1	
9	0027105015	MACHINE SCREW	4	
10	Y0601809693	CURRENT TRANSFORMER, 150:5A	3	
11	011808015	MACHINE SCREW	6.....	REPLACES P/N 0027106015
12	0601820847	OVER CURRENT RELAY	1	
13	0601820848	OVER CURRENT RELAY BASE	1	
14	0027104020	MACHINE SCREW	2	
14A	0207004000	SELF-LOCKING NUT	2	
15	M1261200004	FUSE BOX	1	
15A	Y0601806647	FUSE, 25A	1	
15B	0601806642	FUSE, 5A	5	
15C	M9521000904	DECAL; FUSE HOLDER	1	
16	0027105015	MACHINE SCREW	2	
17	LY2DUS12VDC	RELAY, LY-2D DC12V	3.....	REPLACES P/N 0601827656
17A	PTF08A	BASE, PTF08A-E.....	3.....	REPLACES P/N 0601823109
17B	PYCA1	CLIP, PYC-A1.....	6.....	REPLACES P/N 0601824400
18	0027104020	MACHINE SCREW	6	
19	Y0601816411	TERMINAL BLOCK	1	
20	0027104020	MACHINE SCREW	2	
23	1H72960203	ECU	1	
24	0027208025	MACHINE SCREW	4	
24A	0401450080	WASHER, FLAT	4.....	REPLACES P/N 0041208000

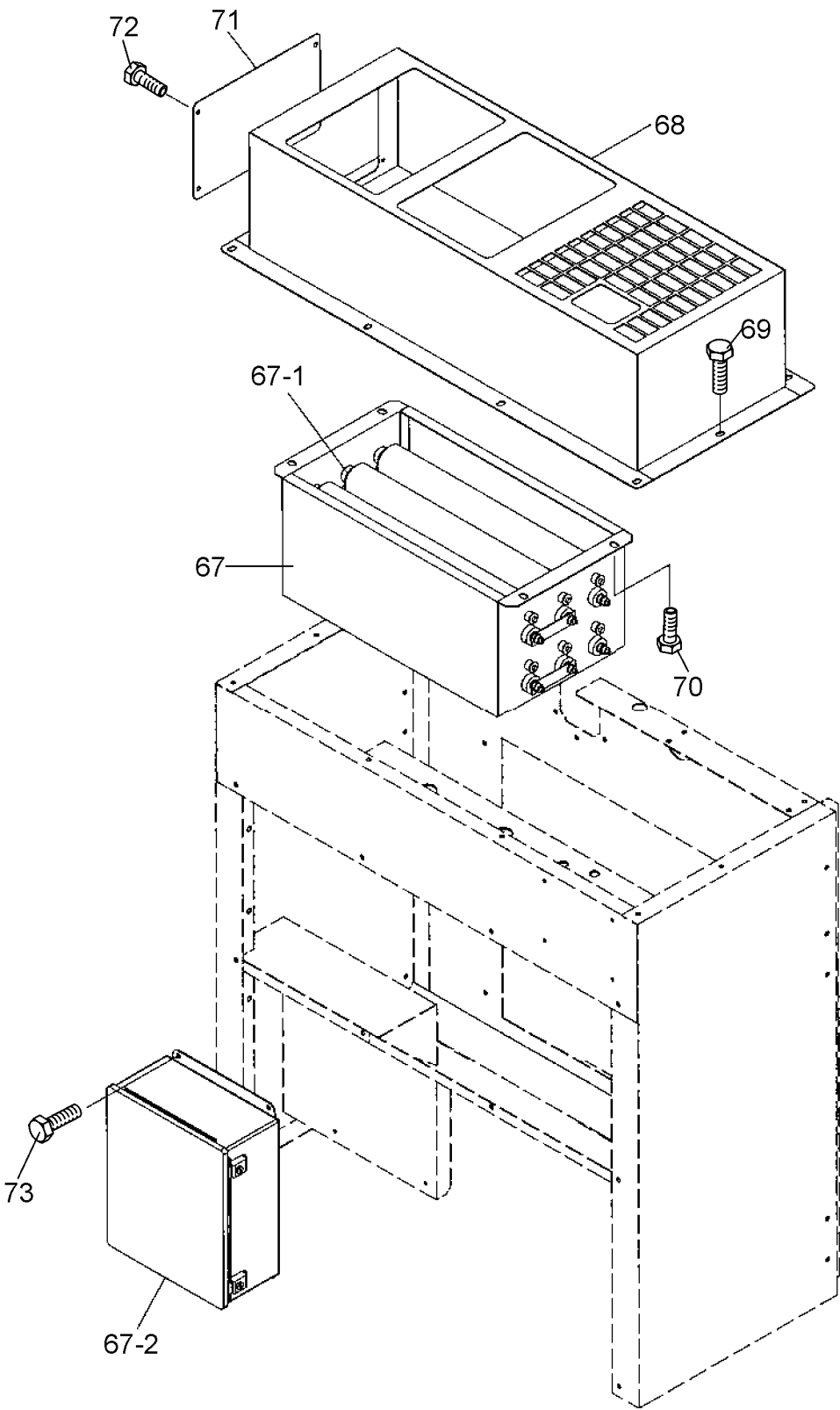
CONTROL BOX ASSY. (CONT'D.)



CONTROL BOX ASSY. (CONT'D.)

<u>NO.</u>	<u>PART NO.</u>	<u>PART NAME</u>	<u>QTY.</u>	<u>REMARKS</u>
38	M1213501004	CONTROL BOX COVER	1	
39	0016906015	HEX. HEAD BOLT	4	
40	M1213400014	CONTROL BOX COVER	1	
41	0016906015	HEX. HEAD BOLT	4	
42	M1214601104	SWITCH BRACKET	1	
43	0027105020	MACHINE SCREW	4	
43A	0030005000	SELF-LOCKING NUT	4.....	REPLACES P/N 0207005000
44	0016906015	HEX. HEAD BOLT	2	
45	M1270100604	SELECTOR SWITCH	1	
50	1J42360231	STARTER RELAY	1	
51	1J42360231	MAIN RELAY	1	
52	0027104015	MACHINE SCREW	3	
53	Y0601872530	FUSE, 45A	1	
54	RP42153730	GLOW RELAY.....	1.....	REPLACES P/N RP42153731
55	0601806640	FUSE, 65A	1	
56	0601812626	PLUG	1	
57	0601812711	PINS (MALE)	2	
63	0601830710	DIAGNOSTIC SWITCH	1	
64	M1261600004	SWITCH BRACKET	1	
65	0016906015	HEX. HEAD BOLT	2	
68	M1247702214	WIRE HARNESS, GENERATOR	1	
69	M1358200502	WIRE HARNESS, ENGINE	1	
70	M1358201403	WIRE HARNESS, POWER BALANCE	1	
71	M1358201503	WIRE HARNESS, POWER BALANCE	1	

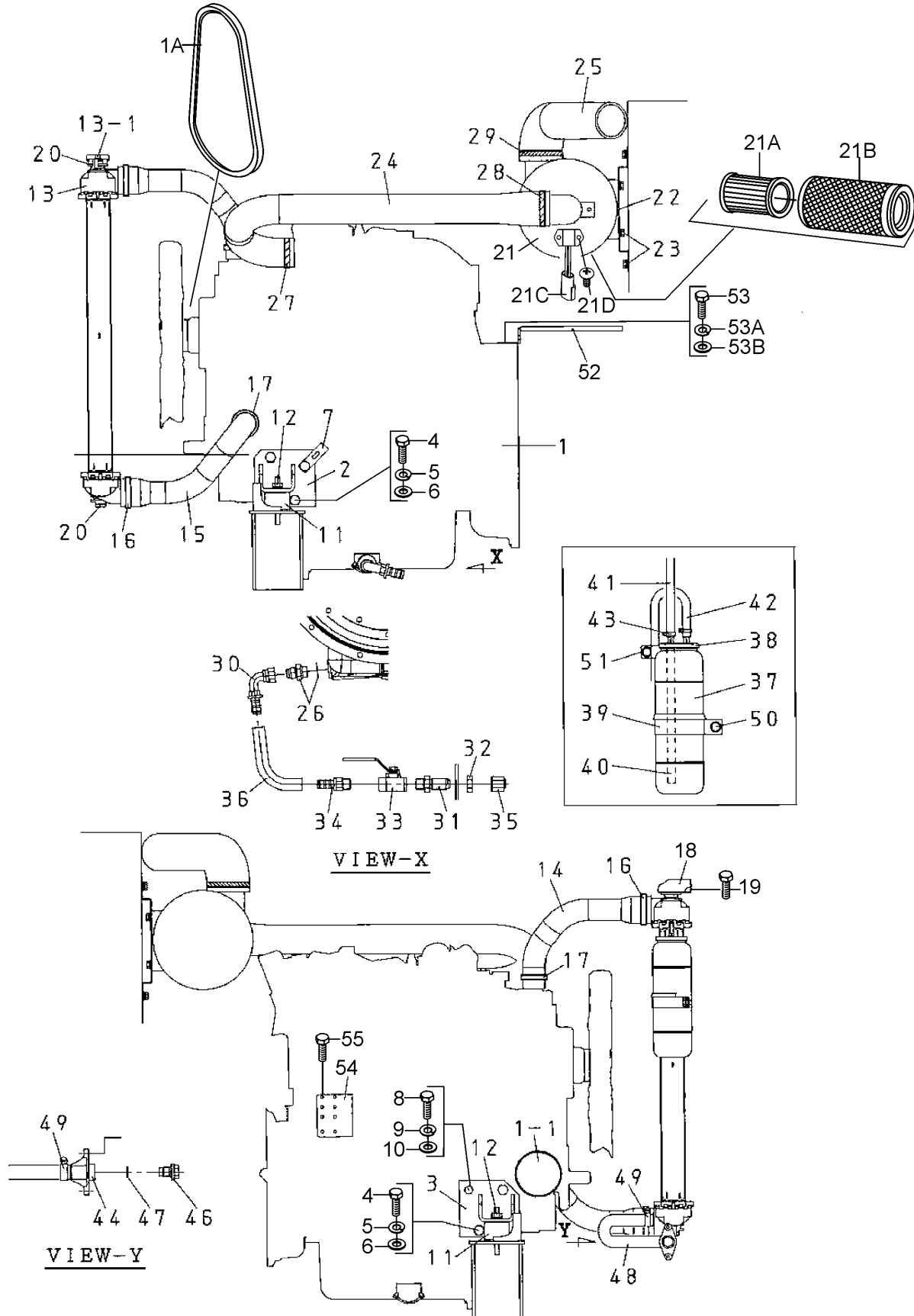
LOAD BANK ASSY.



LOAD BANK ASSY.

<u>NO.</u>	<u>PART NO.</u>	<u>PART NAME</u>	<u>QTY.</u>	<u>REMARKS</u>
67	Y0601803967	LOAD BANK UNIT ASSY.	1	
67-1	Y0601842562	RESISTOR	1	
67-2	Y0601852062	LOAD BANK CONTROL BOX	1	
68	M1331401103	ROOF COVER	1	
69	0019208020	HEX HEAD BOLT	10	
70	Y0019208015	HEX HEAD BOLT	4	
71	M1331401304	COVER PLATE	1	
72	0019206015	HEX HEAD BOLT	4	
73	0016906015	HEX HEAD BOLT	4	

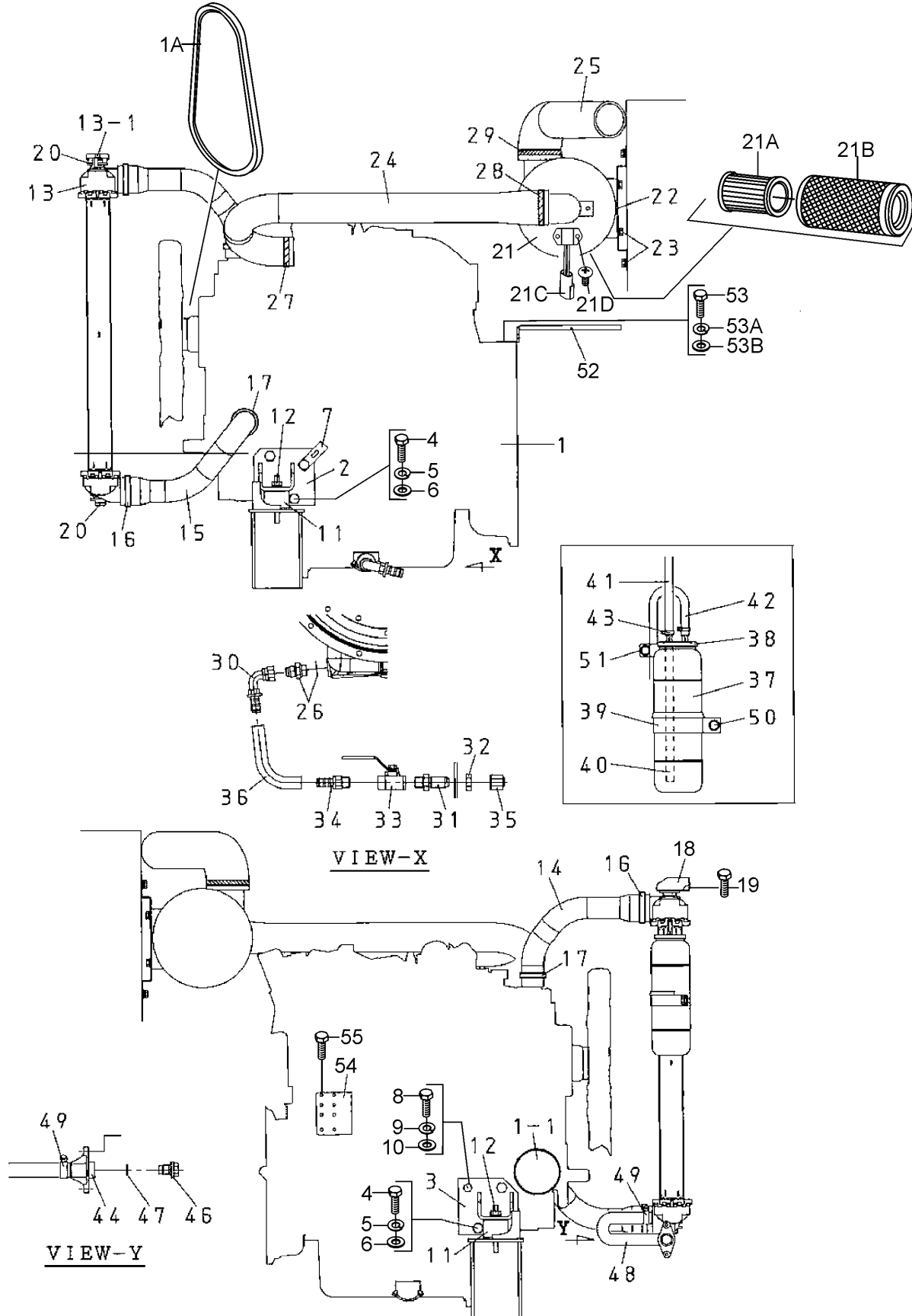
ENGINE AND RADIATOR ASSY.



ENGINE AND RADIATOR ASSY.

<u>NO.</u>	<u>PART NO.</u>	<u>PART NAME</u>	<u>QTY.</u>	<u>REMARKS</u>
1	M1924200134	ENGINE, KUBOTA V2403-CR-T	1	
1A	1G35497010	FAN BELT	1	
1-1	7000032091	CARTRIDGE, OIL FILTER.....	1	REPLACES P/N 0602041173
2	M1304200204	ENGINE FOOT	1	
3	M1304200304	ENGINE FOOT	1	
4	Y0349312025	HEX. HEAD BOLT	7	
5	0040012000	LOCK WASHER	7	
6	031112230	FLAT WASHER.....	7	REPLACES P/N 0041212000
7	M3483600104	COATING CLAMPER	1	
8	Y0349410020	HEX. HEAD BOLT	1	
9	0040010000	LOCK WASHER	1	
10	Y0041210000	FLAT WASHER	1	
11	Y0605000409	RUBBER SUSPENSION	2	
12	020310080	SELF-LOCKING NUT.....	2	REPLACES P/N 0030010000
13	M1924200144	RADIATOR	1	
13-1	Y0602015700	CAP, RADIATOR	1	
14	M1311501203	RADIATOR HOSE (UPPER)	1	
15	M1311501303	RADIATOR HOSE (LOWER)	1	
16	0605515147	HOSE BAND	2	
17	0605515149	HOSE BAND	2	
18	M1311200804	BRACKET, RADIATOR	1	
19	011008020	HEX HEAD BOLT.....	2	REPLACES P/N 0016908020
20	M9312200104	MOUNT, RUBBER	4	
21	Y0602046570	AIR CLEANER	1	
21A	5980026110	ELEMENT, AIR CLEANER (INNER).....	1	REPLACES P/N 5980026111
21B	3A11119130	ELEMENT, AIR CLEANER (OUTER).....	1	REPLACES P/N 3A11119131
21C	Y0602047040	AIR FLOW SENSOR	1	
21D	0305450412	MACHINE SCREW	2	
22	M1374200304	BRACKET, AIR CLEANER	1	
23	011008020	HEX. HEAD BOLT.....	4	REPLACES P/N 0016908020
24	M1374101003	AIR CLEANER HOSE	1	
25	M1374101103	AIR CLEANER HOSE	1	
26	0602022568	ADAPTER 10M 22X1.5	1	
27	0605515147	HOSE BAND	1	
28	9500202080	HOSE BAND.....	1	REPLACES P/N 0605515178
29	0605515146	HOSE BAND	1	
30	0602022561	90 DEG. ELBOW	1	
31	0603306590	CONNECTOR	1	
32	0603300285	LOCKNUT	1	
33	0605511395	VALVE	1	
34	0603306395	HOSE JOINT	1	
35	0602021070	CAP	1	
36	0269200700	DRAIN HOSE	1	
37	0802081403D	RESERVE TANK.....	1	REPLACES P/N M9300000003
38	0802081104	CAP, RESERVE TANK.....	1	REPLACES P/N M9300100003
39	M1317100004	BRACKET, RESERVE TANK	1	

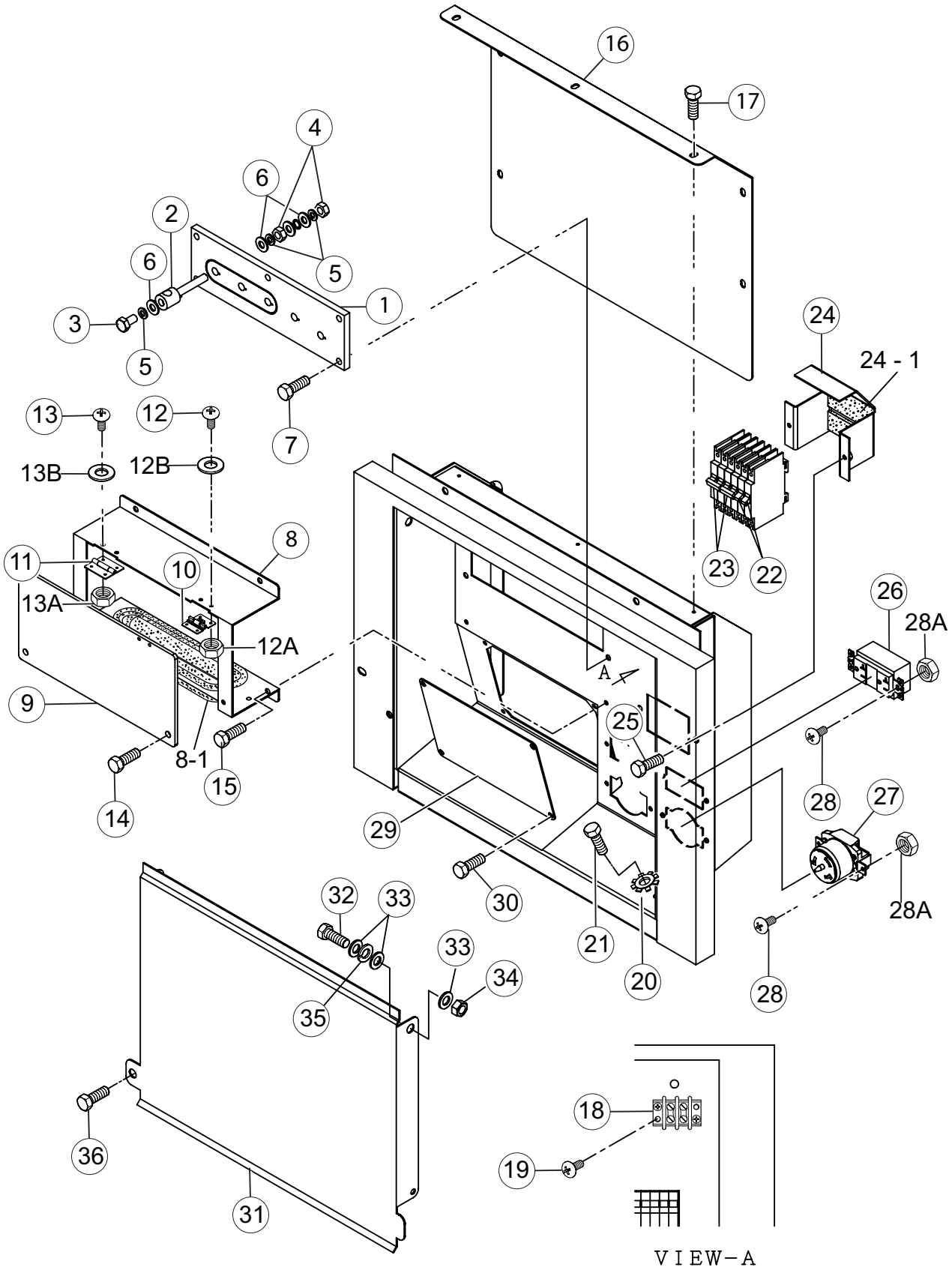
ENGINE AND RADIATOR ASSY. (CONT'D.)



ENGINE AND RADIATOR ASSY. (CONT'D.)

<u>NO.</u>	<u>PART NO.</u>	<u>PART NAME</u>	<u>QTY.</u>	<u>REMARKS</u>
40	0199100215	HOSE	1	
41	0199900400	OVER FLOW HOSE	1	
42	0193601200	OVER FLOW HOSE	1	
43	0605515189	HOSE BAND	2	
44	1502025103C	DRAIN JOINT	1.....	REPLACES P/N M9200000003
45	Y0016906020	HEX. HEAD BOLT	2	
46	0802011104	DRAIN BOLT	1.....	REPLACES P/N M9200200004
47	0150000018	O-RING, P-18	1	
48	Y0269200650	PUSH-LOCK HOSE	1	
49	0605515198	HOSE BAND	2	
50	011008020	HEX. HEAD BOLT	1.....	REPLACES P/N 0016908020
51	0602220911	CLAMP	2	
52	M1484600204	CLAMP	1	
53	Y0349410020	HEX. HEAD BOLT	2	
53A	0040010000	LOCK WASHER	2	
53B	Y0041210000	FLAT WASHER	2	
54	M1484500404	BRACKET, CONNECTOR	1	
55	011008020	HEX. HEAD BOLT	2.....	REPLACES P/N 0016908020

OUTPUT TERMINAL ASSY.

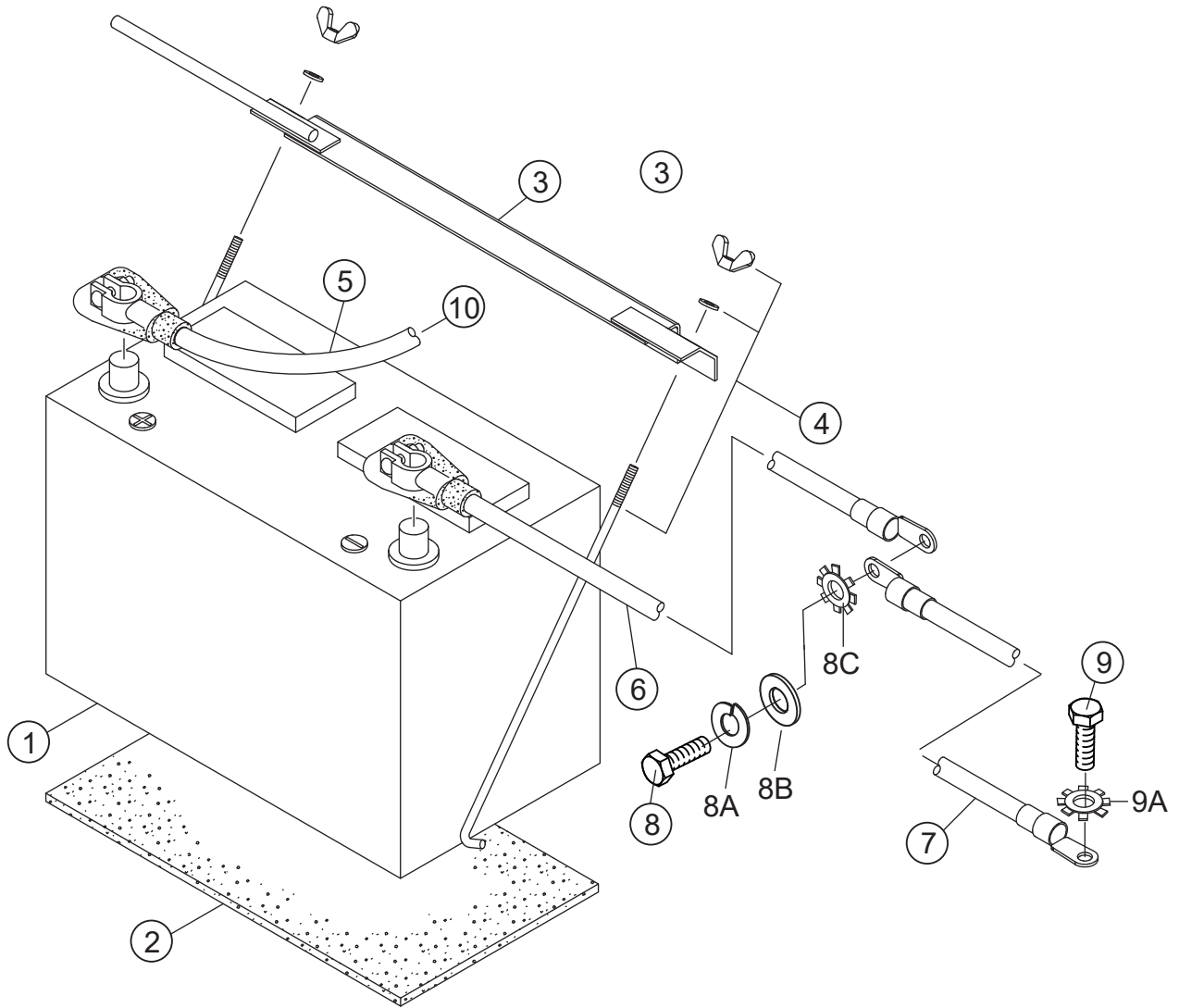


VIEW-A

OUTPUT TERMINAL ASSY.

<u>NO.</u>	<u>PART NO.</u>	<u>PART NAME</u>	<u>QTY.</u>	<u>REMARKS</u>
1	8111860303	TERMINAL PANEL	1.....	REPLACES P/N M1230700103
2	0801831704A	OUTPUT TERMINAL BOLT	5.....	REPLACES P/N M9220100204
3	012210020	TIE BOLT	5.....	REPLACES P/N M9220100104
4	0039310000	HEX. NUT	10	
5	0040010000	WASHER, LOCK	15	
6	0041410000	WASHER, FLAT	20	
7	011208025	HEX. HEAD BOLT	5.....	REPLACES P/N 0016908025
8	M1236102023	3-PHASE OUTPUT TERMINAL COVER	1	
8-1	Y0317700480	CUSHION RUBBER	1	
9	M1236102124	OUTPUT WINDOW	1	
10	Y0605012028	HINGE	1	
11	0605010040	HINGE	1	
12	0027103010	MACHINE SCREW	4	
12A	0207003000	HEX. NUT	4.....	REPLACES P/N 0030003000
12B	0041203000	WASHER, FLAT	2	
13	0027103010	MACHINE SCREW	4	
13A	0207003000	HEX. NUT	4.....	REPLACES P/N 0030003000
13B	0041203000	WASHER, FLAT	2	
14	011206020	HEX. HEAD BOLT	2.....	REPLACES P/N 0016906020
15	0016906015	HEX. HEAD BOLT	4	
16	M1236101814	TERMINAL COVER	1	
17	0016906015	HEX. HEAD BOLT	7	
18	0601815194	TERMINAL BLOCK	1	
19	0027204015	MACHINE SCREW	2	
20	0040508000	TOOTHED WASHER	1	
21	0019208020	HEX. HEAD BOLT	1	
22	0601870440	CIRCUIT BREAKER, 1P 20A	2	
23	0601870441	CIRCUIT BREAKER, 2P 50A	2	
24	M1260700404	BREAKER FITTING COVER	1	
24-1	0222100080	CUSHION RUBBER	2	
25	011206020	HEX. HEAD BOLT	2.....	REPLACES P/N 0016906020
26	0601814024	RECEPTACLE, 125V 20A X2	2.....	REPLACES P/N 0601814013
27	0601814014	RECEPTACLE, 250V 50A	2	
28	0027104015	MACHINE SCREW	8	
28A	OEMAA8	HEX. NUT	8.....	REPLACES P/N 0207004000
29	M1236400104	COVER	1	
30	0016906015	HEX. HEAD BOLT	4	
31	M1236101904	TERMINAL COVER	1	
32	012212045	HEX. HEAD BOLT	2.....	REPLACES P/N 0010112045
33	031112230	WASHER, FLAT	6.....	REPLACES P/N 0041212000
34	0030012000	HEX. NUT, DOUBLE NUT	2	
35	0605050060	CONICAL WASHER, LOCK	2	
36	0019208020	HEX. HEAD BOLT	1	

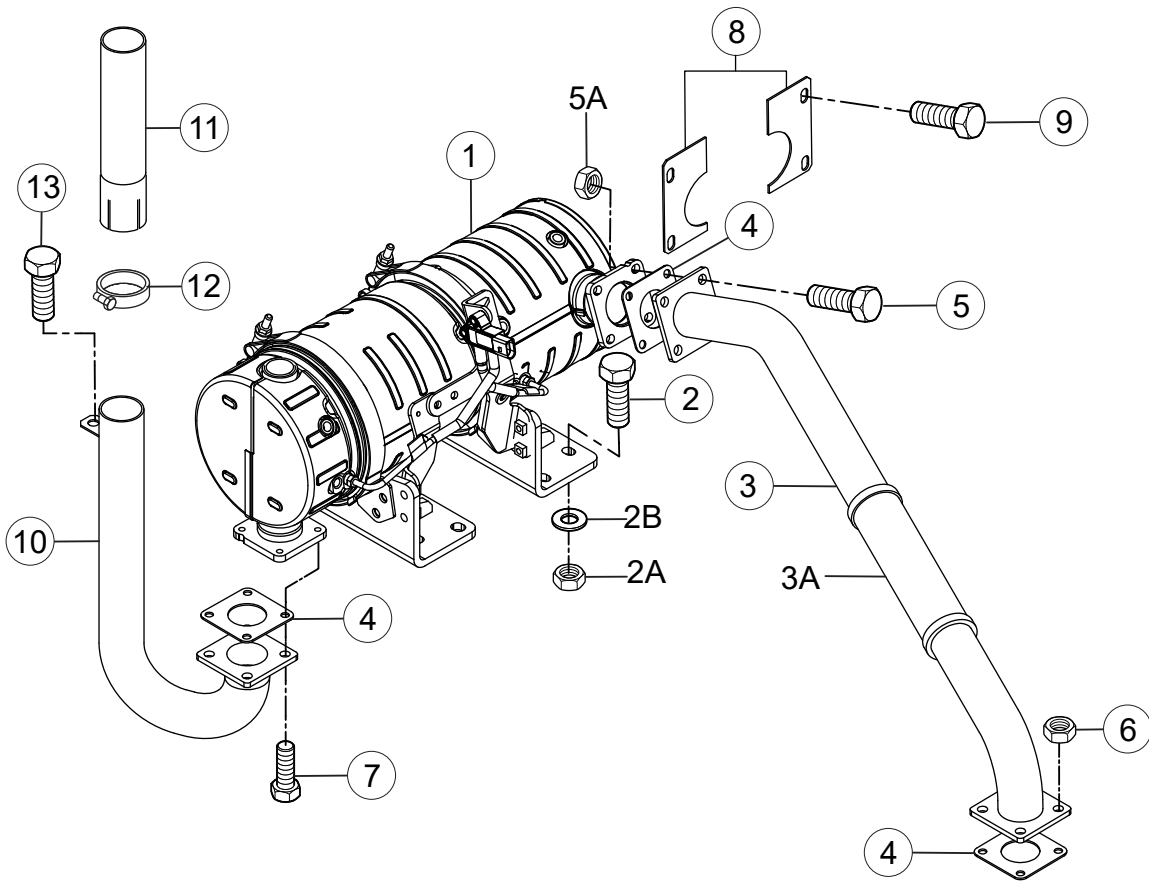
BATTERY ASSY.



BATTERY ASSY.

<u>NO.</u>	<u>PART NO.</u>	<u>PART NAME</u>	<u>QTY.</u>	<u>REMARKS</u>
1	0602220199	BATTERY	1	
2	M9310500014	BATTERY, SHEET	1	
3	M9104000104	BATTERY, BAND	1	
4	0602220920	BATTERY, BOLT SET 1/4-L10"	2	
5	M1347200304	BATTERY, CABLE	1	
6	M1347200404	BATTERY, CABLE	1	
7		CABLE	1	OBTAIN LOCALLY
8	012212025	HEX. HEAD BOLT	1	REPLACES P/N 0012412025
8A	0040012000	LOCK WASHER	1	
8B	0041212000	PLAIN WASHER	1	
8C	0040512000	TOOTHED WASHER	1	
9	011008020	HEX. HEAD BOLT	1	REPLACES P/N 0016908020
9A	0040508000	TOOTHED WASHER	1	
10	0207008000	SELF-LOCKING NUT	1	

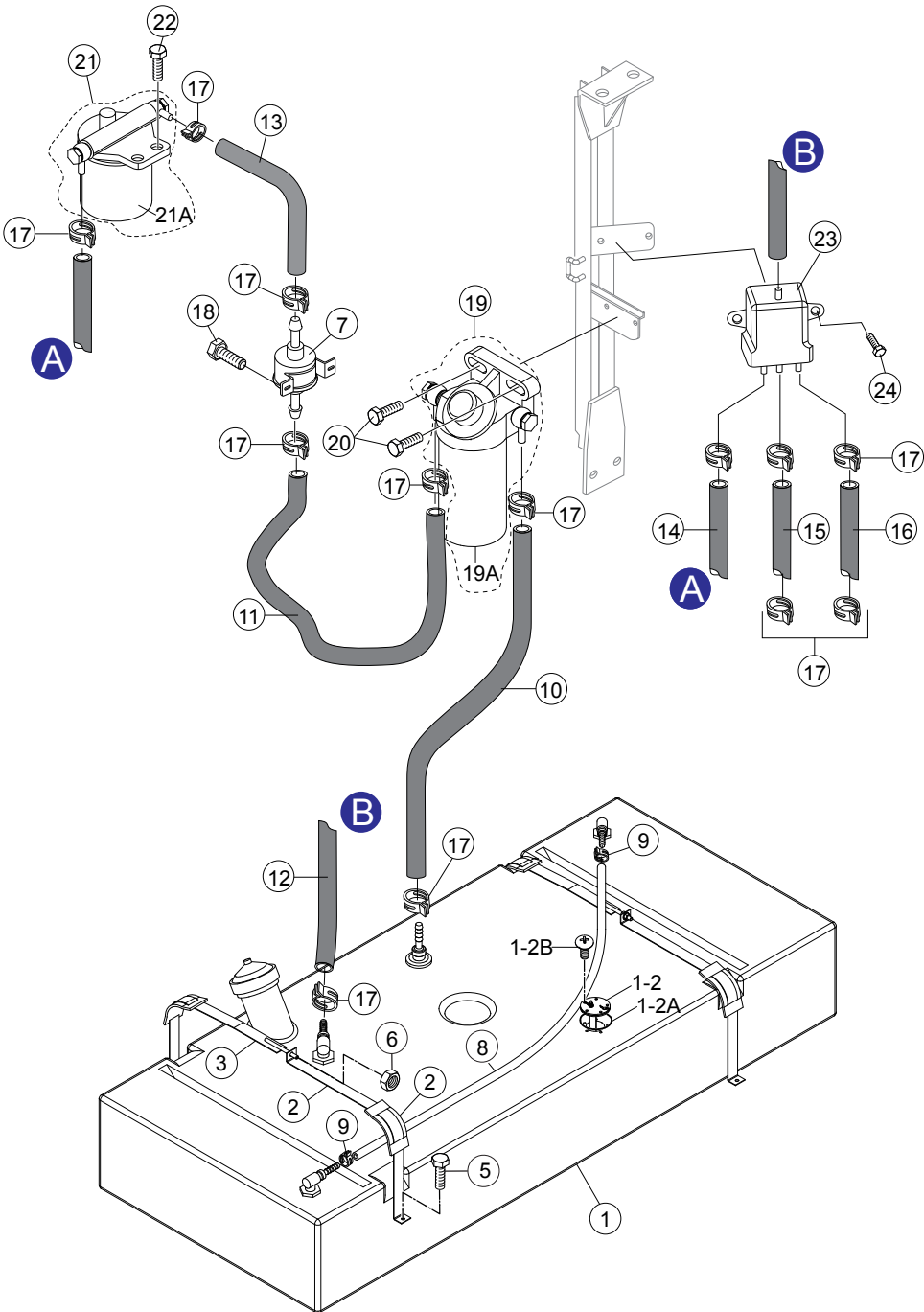
MUFFLER ASSY.



MUFFLER ASSY.

<u>NO.</u>	<u>PART NO.</u>	<u>PART NAME</u>	<u>QTY.</u>	<u>REMARKS</u>
1	1K81818131	DOC	1	
2	012212030	HEX. HEAD BOLT	4.....	REPLACES P/N 0017112030
2A	0030012000	HEX. NUT	4	
2B	031112230	WASHER, FLAT	4.....	REPLACES P/N 0041212000
3	M1334000903	EXHAUST PIPE	1	
3A	Y0602311142	EXHAUST INSULATING MAT	1	
4	1732612231	GASKET	3	
5	011208030	HEX. HEAD BOLT	4.....	REPLACES P/N 0016908030
5A	020108060	SELF-LOCKING NUT	4.....	REPLACES P/N 0207008000
6	0207108000	SELF-LOCKING NUT	4	
7	011208030	HEX. HEAD BOLT	4.....	REPLACES P/N 0016908030
8	M1484300004	PIPE COVER	2	
9	011008020	HEX. HEAD BOLT	4.....	REPLACES P/N 0016908020
10	M1334100003	TAIL PIPE	1	
11	M1334100104	TAIL PIPE.....	1.....	REPLACES P/N 0016908020
12	0602325020	PIPE BAND	1	
13	011008020	HEX HEAD BOLT	1.....	REPLACES P/N 0016908020

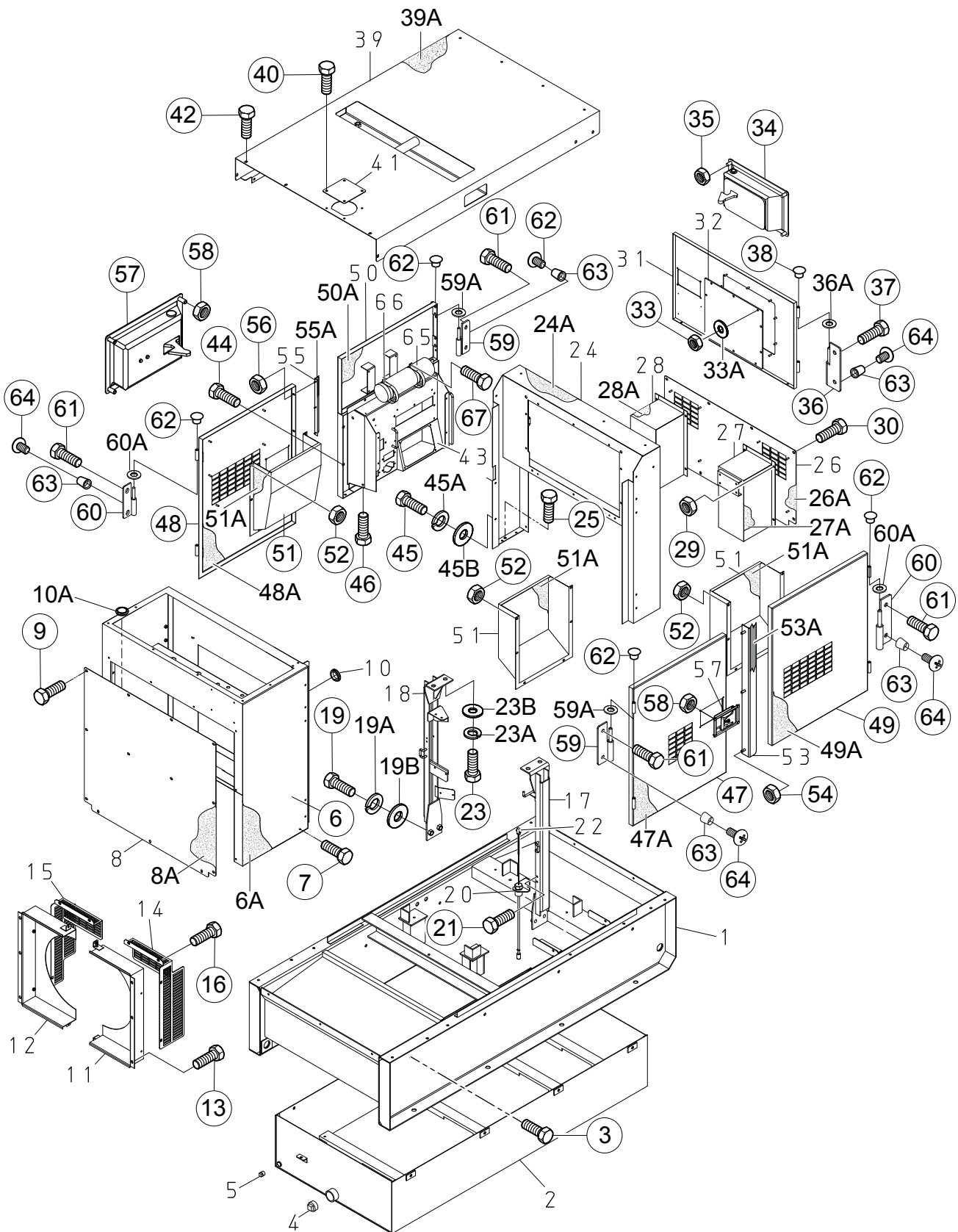
FUEL TANK ASSY.



FUEL TANK ASSY.

<u>NO.</u>	<u>PART NO.</u>	<u>PART NAME</u>	<u>QTY.</u>	<u>REMARKS</u>
1	M1364000402	FUEL TANK	1	
1-1	0605505070	FUEL TANK CAP	1	
1-2	Y0605501056	FUEL SENDER UNIT	1.....	REPLACES P/N 0605501072
1-2A	0605516090	GASKET	1	
1-2B	0027104015	MACHINE SCREW	5	
2	M1364200004	TANK BAND	2	
3	M1363200404	TANK BAND	2	
4	M9310500104	SUPPORTER SHEET	4	
5	011008020	HEX. HEAD BOLT	4.....	REPLACES P/N 0016908020
6	020108060	SELF-LOCKING NUT	4.....	REPLACES P/N 0207008000
7	R140151352	FUEL PUMP	1	
8	Y0191301500	HOSE	1	
9	Y0605515340	HOSE BAND	2	
10	Y0191200370	SUCTION HOSE	1	
11	Y0191200470	SUCTION HOSE	1	
12	Y0191001230	RETURN HOSE	1	
13	Y0191200170	SUCTION HOSE	1	
14	Y0191200940	SUCTION HOSE	1	
15	0191201100	RETURN HOSE	1	
16	Y0191200560	RETURN HOSE	1	
17	0605515189	HOSE BAND	14	
18	0016906015	HEX. HEAD BOLT	2	
19	1J43043351	WATER SEPARATOR	1	
19A	1J43043061	CARTRIDGE, WATER SEPARATOR	1	
20	011208030	HEX. HEAD BOLT	2.....	REPLACES P/N 0016908030
21	1J80043021	FUEL FILTER	1	
21A	1J80043171	CARTRIDGE, FUEL FILTER	1	
22	0012108035	HEX. HEAD BOLT	2.....	REPLACES P/N 0016908035
23	Y0602042635	AIR BLEEDING TANK	1	
24	0016906015	HEX HEAD BOLT	1	

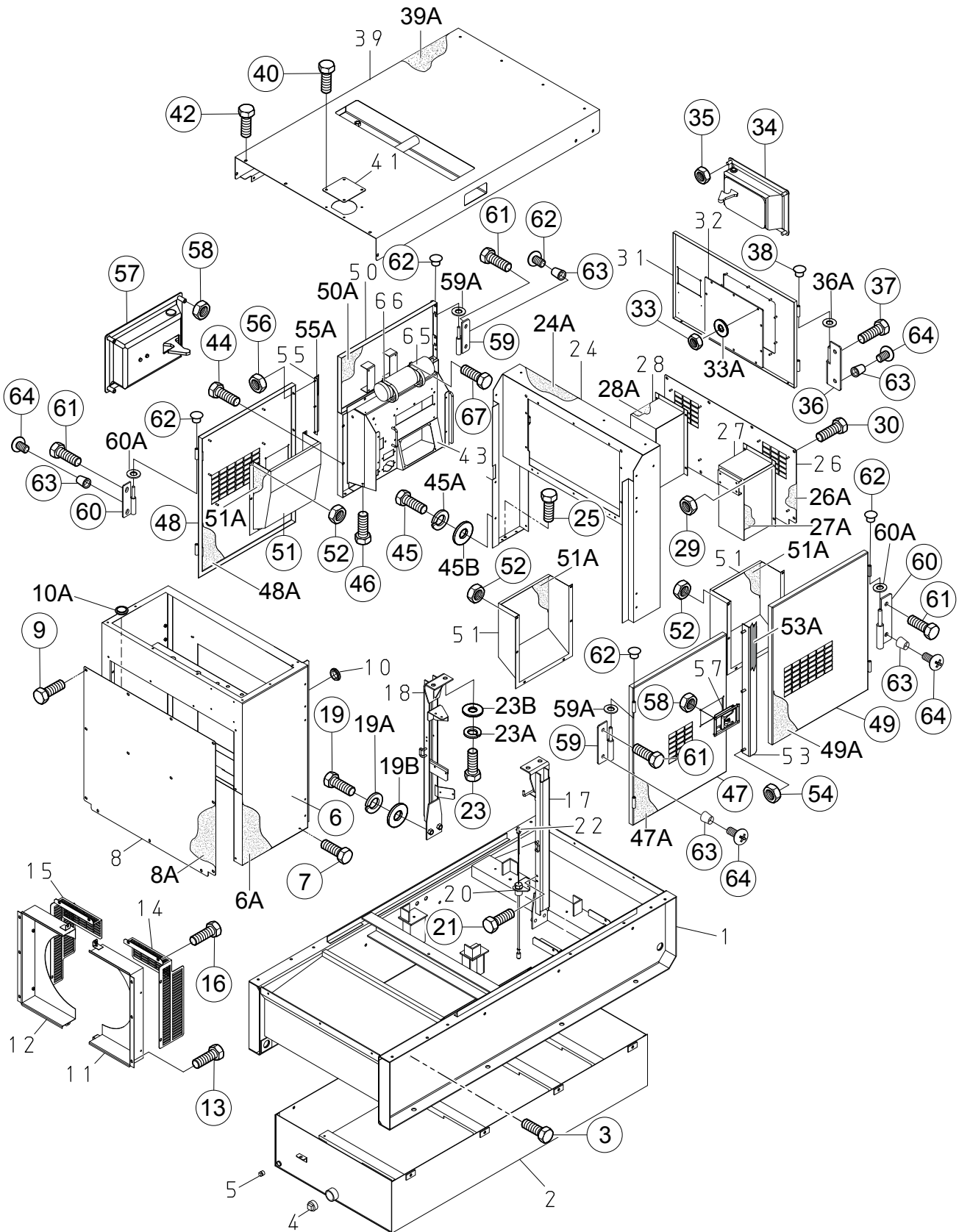
ENCLOSURE ASSY.



ENCLOSURE ASSY.

<u>NO.</u>	<u>PART NO.</u>	<u>PART NAME</u>	<u>QTY.</u>	<u>REMARKS</u>
1	M1414000902	BASE	1	
2	M1364300003	ENVIRONMENTAL TANK	1	
3	0016910030	HEX. HEAD BOLT	8	
4	0603306797	SQUARE HEAD PIPE PLUG, 1-1/2"	1	
5	Y0603306793	SQUARE HEAD PIPE PLUG, 1/2"	1	
6	M1424001302	FRONT FRAME	1	
6A	M1494105803	ACOUSTIC SHEET	1	
7	011008020	HEX. HEAD BOLT	4	REPLACES P/N 0016908020
8	M1424201104	COVER, FRONT FRAME	1	
8A	M1494105904	ACOUSTIC SHEET	1	
9	0019208020	HEX. HEAD BOLT	13	
10	0601851736	GROMMET	1	
10A	0601851733	GROMMET	1	
11	M1311301303	FAN SHROUD	1	
12	M1311301403	FAN SHROUD	1	
13	011008020	HEX. HEAD BOLT	8	REPLACES P/N 0016908020
14	M1311301503	FAN GUARD	1	
15	M1311301603	FAN GUARD	1	
16	011008020	HEX. HEAD BOLT	8	REPLACES P/N 0016908020
17	M1434300503	CENTER FRAME	1	
18	M1434300603	CENTER FRAME	1	
19	0013616040	HEX. HEAD BOLT	4	
19A	0040016000	WASHER, LOCK	4	
19B	0041216000	WASHER, FLAT	4	
20	M1484500104	FUEL LEAK SWITCH BRACKET	1	
21	011008020	HEX. HEAD BOLT	2	REPLACES P/N 0016906020
22	0605503062	FUEL LEAK DETECTED SWITCH	1	
23	0013616035	HEX. HEAD BOLT	4	
23A	0040016000	WASHER. LOCK	4	
23B	0041216000	WASHER, FLAT	4	
24	M1444000402	REAR FRAME	1	
24A	M1494303404	ACOUSTIC SHEET	1	
25	011008020	HEX. HEAD BOLT	4	REPLACES P/N 0016908020
26	M1444300703	REAR COVER	1	
26A	M1494303604	ACOUSTIC SHEET	1	
27	M1444300803	DUCT, REAR COVER	1	
27A	M1494303504	ACOUSTIC SHEET	1	
28	M1444300903	DUCT, REAR COVER	1	
28A	M1494303504	ACOUSTIC SHEET	1	
29	0176060030	SELF-LOCKING NUT	8	REPLACES P/N 0207006000
30	0019208020	HEX. HEAD BOLT	8	
31	M1444200503	REAR DOOR	1	
32	M1445600204	WINDOW PLATE	1	
33	020106050	LOCK NUT	10	REPLACES P/N 0037906000
33A	952404470	WASHER, FLAT	10	REPLACES P/N 0041206000
34	Y0605012309	DOOR HANDLE ASSEMBLY	1	
35	0176060030	SELF-LOCKING NUT	4	REPLACES P/N 0207006000

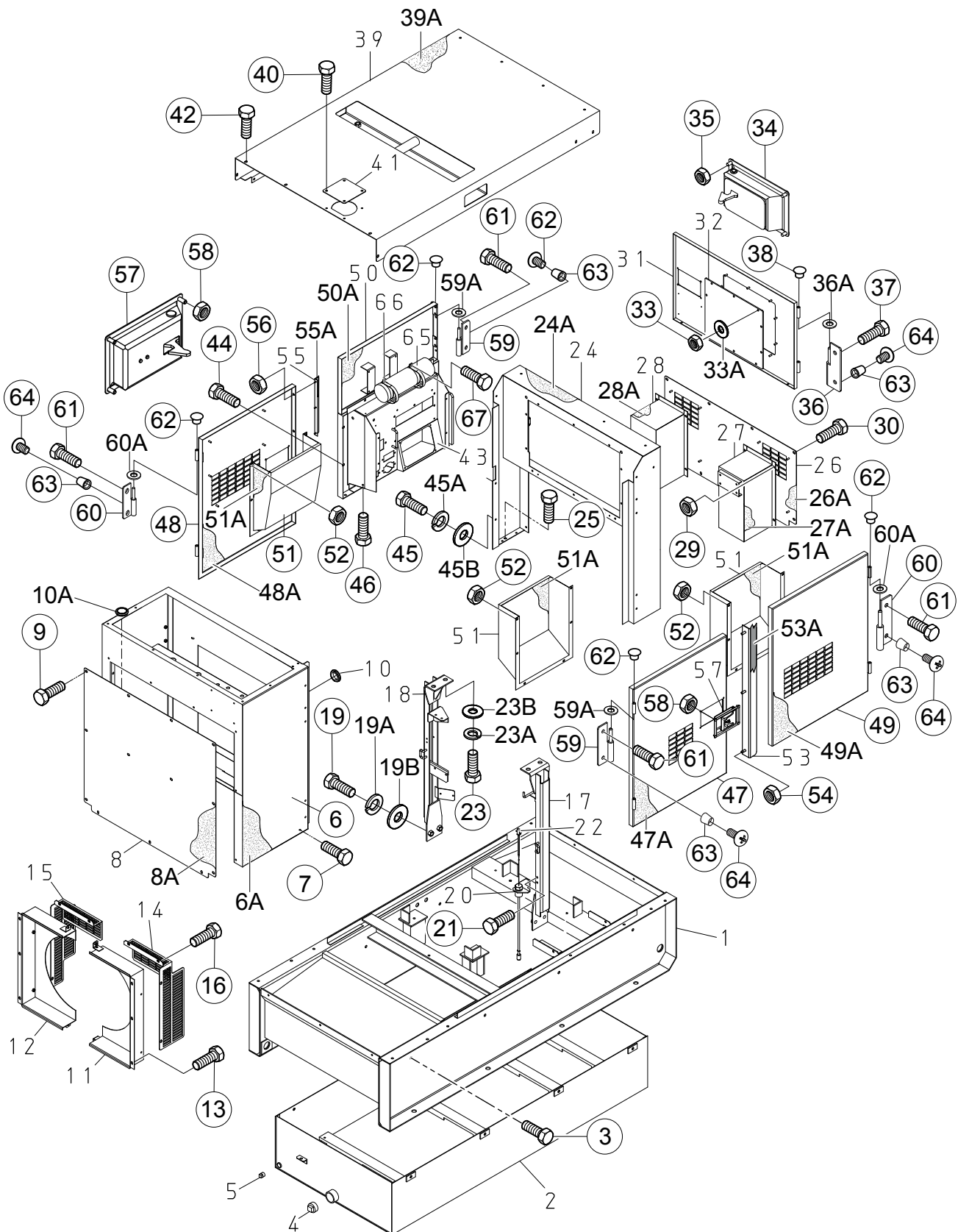
ENCLOSURE ASSY. (CONT'D.)



ENCLOSURE ASSY. (CONT'D.)

<u>NO.</u>	<u>PART NO.</u>	<u>PART NAME</u>	<u>QTY.</u>	<u>REMARKS</u>
36	M9110100204	HINGE	2	
36A	M9116100004	WASHER	2	
37	0019208020	HEX. HEAD BOLT	3	
38	0845031504	BLIND PLUG.....	2.....	REPLACES P/N M9310000004
39	M1464000402	ROOF PANEL	1	
39A	M1494502503	ACOUSTIC SHEET	1	
40	0019208020	HEX. HEAD BOLT	14	
41	M3310600004	COVER	1	
42	0019208020	HEX. HEAD BOLT	4	
43	M1454200802	SPLASHER PANEL	1	
44	0019208020	HEX. HEAD BOLT	2	
45	0019108055	HEX. HEAD BOLT	2	
45A	0042308000	WASHER, LOCK	2	
45B	0401450080	WASHER, FLAT.....	2.....	REPLACES P/N 0042408000
46	011008020	HEX. HEAD BOLT.....	2.....	REPLACES P/N 0016908020
47	M1454001803	SIDE DOOR	1	
47A	M1494405504	ACOUSTIC SHEET	1	
48	M1454001903	SIDE DOOR	1	
48A	M1494405604	ACOUSTIC SHEET	1	
49	M1454002003	SIDE DOOR	1	
49A	M1494405704	ACOUSTIC SHEET	1	
50	M1454002103	SIDE DOOR	1	
50A	M1494405804	ACOUSTIC SHEET	1	
51	M1454300804	DUCT	3	
51A	M1494405904	ACOUSTIC SHEET	3	
52	0176060030	SELF-LOCKING NUT.....	18.....	REPLACES P/N 0207006000
53	M1454700204	DOOR SUPPORTER	1	
53A	0229200775	RUBBER SEAL	1	
54	0176060030	SELF-LOCKING NUT.....	4.....	REPLACES P/N 0207006000
55	M1454700404	DOOR SUPPORTER	1	
55A	0229200295	RUBBER SEAL	1	
56	0176060030	SELF-LOCKING NUT.....	2.....	REPLACES P/N 0207006000
57	Y0605012309	DOOR HANDLE ASSEMBLY	2	
58	0176060030	SELF-LOCKING NUT.....	8.....	REPLACES P/N 0207006000
59	M9110100204	HINGE	4	
59A	M9116100004	WASHER	4	
60	M9110100304	HINGE	4	
60A	M9116100004	WASHER	4	

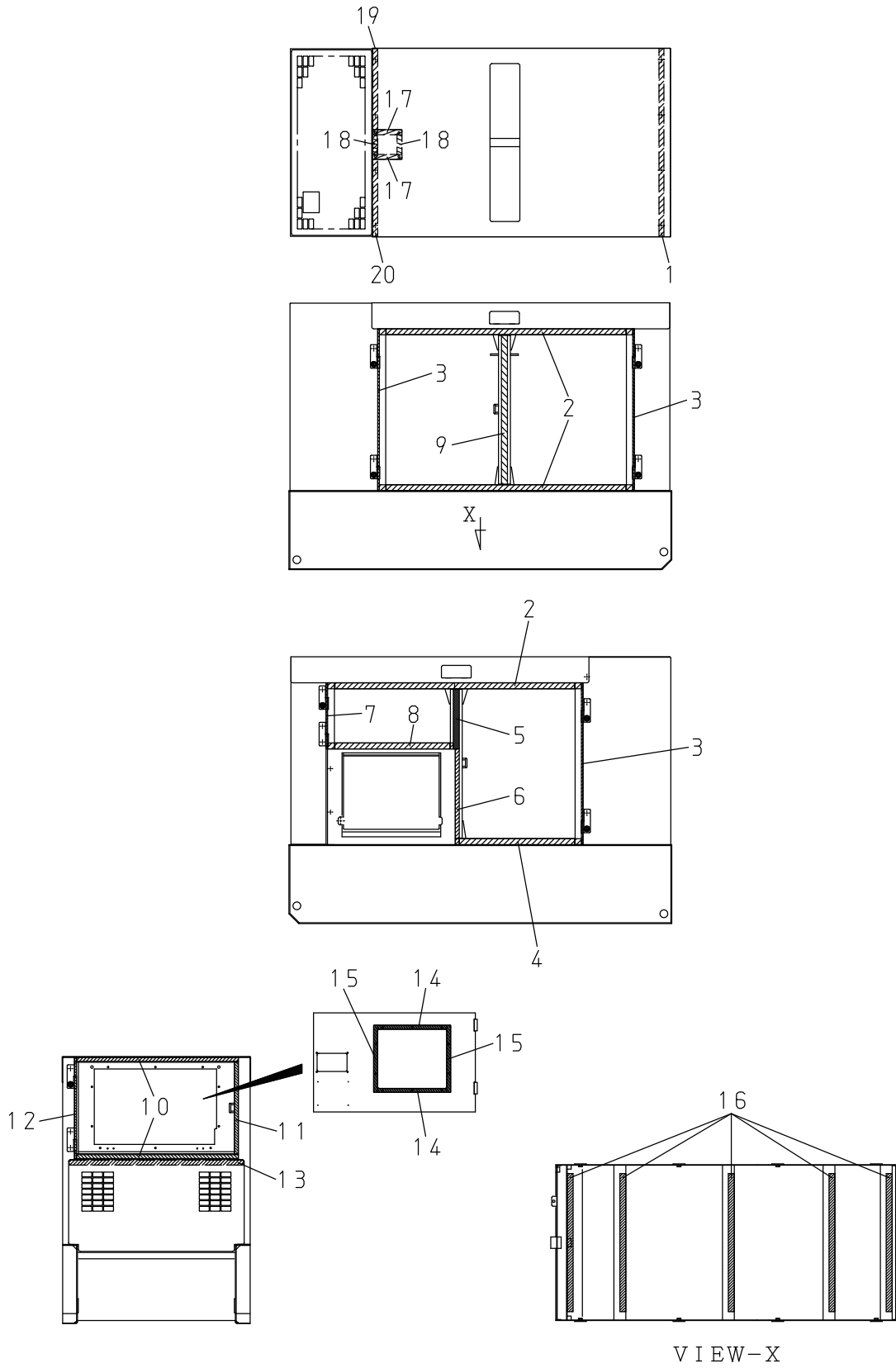
ENCLOSURE ASSY. (CONT'D.)



ENCLOSURE ASSY. (CONT'D.)

<u>NO.</u>	<u>PART NO.</u>	<u>PART NAME</u>	<u>QTY.</u>	<u>REMARKS</u>
61	0019208020	HEX. HEAD BOLT	9	
62	0845031504	BLIND PLUG.....	8.....	REPLACES P/N M9310000004
63	0601850097	DOOR STOPPER	8	
64	0027208025	MACHINE SCREW	8	
65	0600800321	MANUAL PAK	1	
66	M1483600804	CLAMPER	2	
67	0016906015	HEX. HEAD BOLT	4	

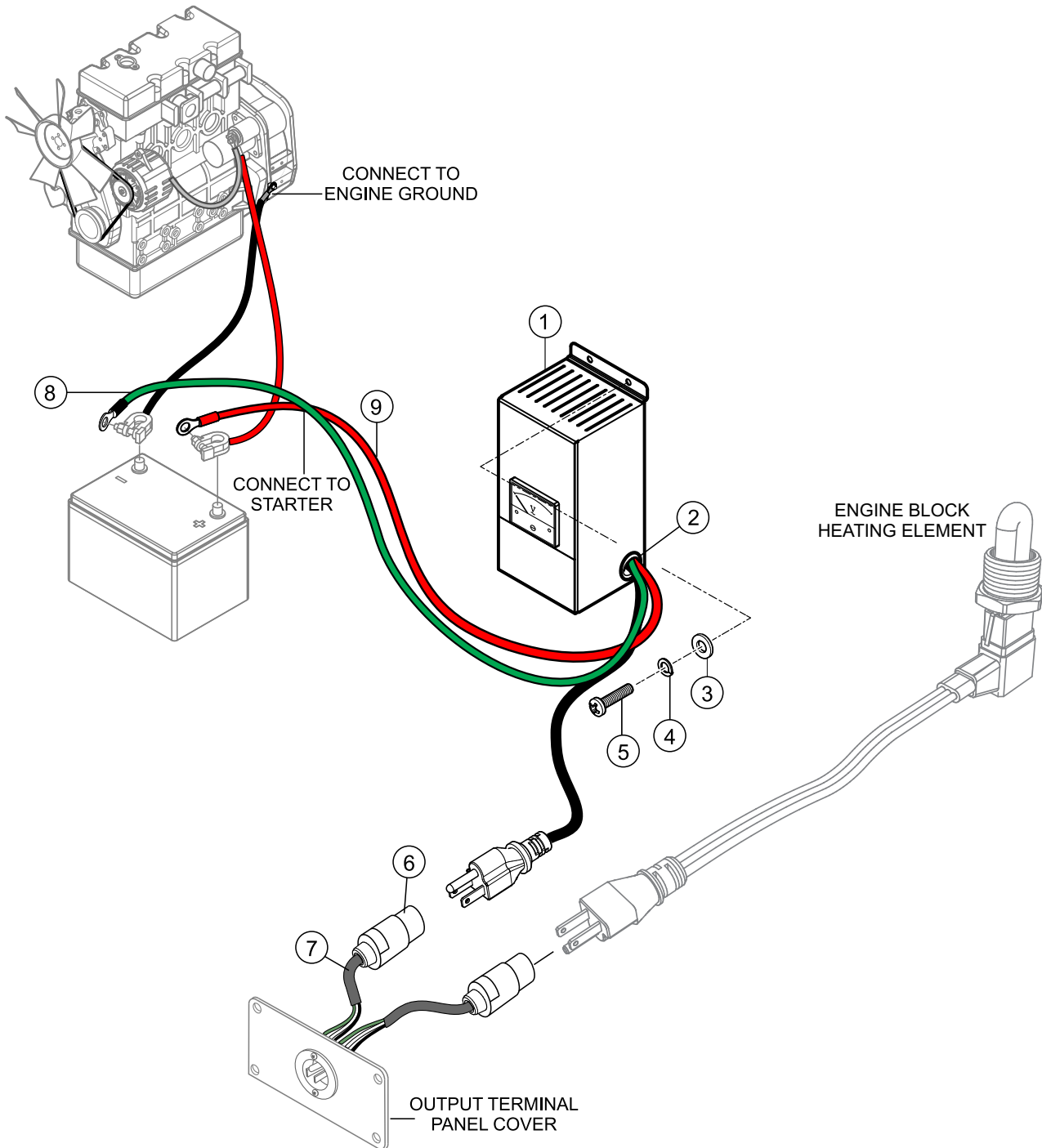
RUBBER SEALS ASSY.



RUBBER SEALS ASSY.

<u>NO.</u>	<u>PART NO.</u>	<u>PART NAME</u>	<u>QTY.</u>	<u>REMARKS</u>
1	0229200950	RUBBER SEAL	1	
2	Y0228901285	RUBBER SEAL	3	
3	Y0229400820	RUBBER SEAL	3	
4	0228900620	RUBBER SEAL	1	
5	Y0228900305	RUBBER SEAL	1	
6	0228800490	RUBBER SEAL	1	
7	Y0229400335	RUBBER SEAL	1	
8	Y0228900635	RUBBER SEAL	1	
9	0228900760	RUBBER SEAL	1	
10	Y0228800820	RUBBER SEAL	2	
11	0228800470	RUBBER SEAL	1	
12	0228800510	RUBBER SEAL	1	
13	0229200880	RUBBER SEAL	1	
14	0228100340	RUBBER SEAL	2	
15	70NS2016	RUBBER SEAL	2	REPLACES P/N 0228100350
16	0222100700	RUBBER SEAL	5	
17	Y0229200145	RUBBER SEAL	2	
18	Y0229200100	RUBBER SEAL	2	
19	Y0229200420	RUBBER SEAL	1	
20	Y0229200400	RUBBER SEAL	1	

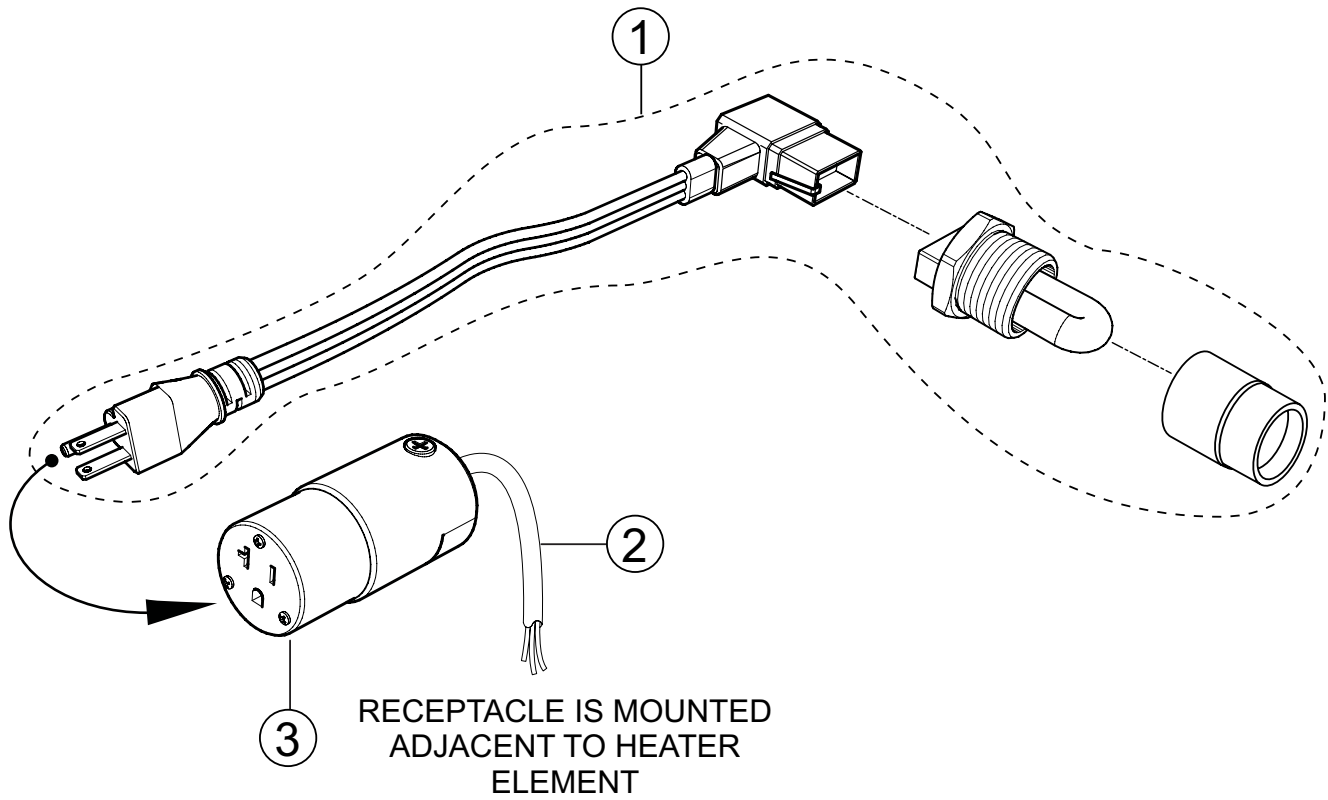
BATTERY CHARGER ASSY. (OPTION)



BATTERY CHARGER ASSY. (OPTION)

<u>NO.</u>	<u>PART NO.</u>	<u>PART NAME</u>	<u>QTY.</u>	<u>REMARKS</u>
1	LC125002	CHARGER BATTERY, 3 AMP 12V	1	
2		GROMMET, 7/8" HOLE SIZE.....	1.....	OBTAIN LOCALLY
3		WASHER, FLAT M4.....	4.....	OBTAIN LOCALLY
4		WASHER, LOCK M4.....	4.....	OBTAIN LOCALLY
5		SCREW, M4X10	4.....	OBTAIN LOCALLY
6	HBL5369C	CONNECTOR, 20 AMP, 125V	1	
7	EE56557	CORD, 3-CONDUCTOR, 14 AWG	6 FT.....	1PC=1FT
8		WIRE, 16GA, GREEN.....	9 FT.....	1PC=1FT, OBTAIN LOCALLY
9		WIRE, 16GA, RED	9 FT.....	1PC=1FT, OBTAIN LOCALLY

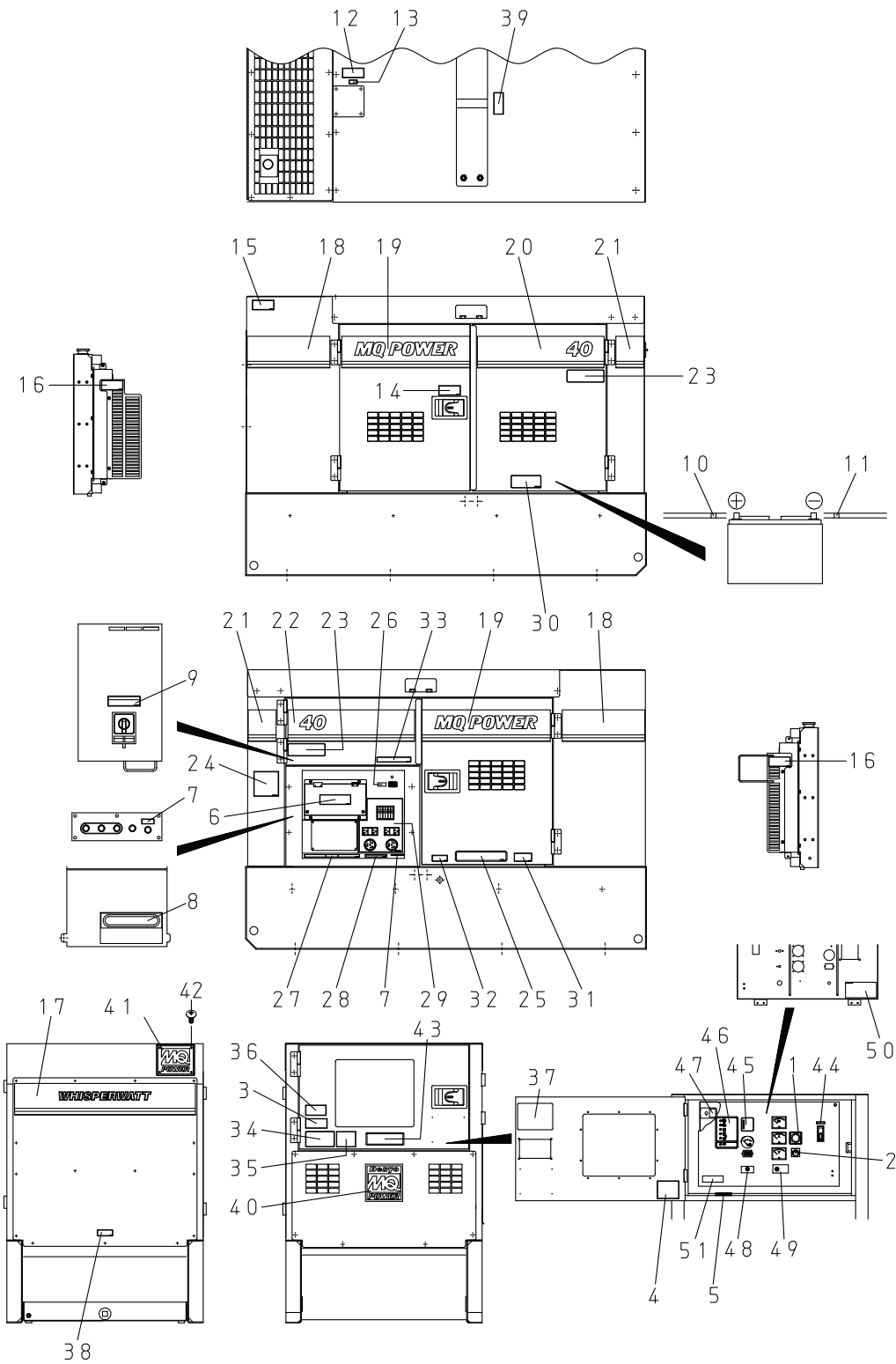
ENGINE BLOCK HEATING ELEMENT ASSY. (OPTION)



ENGINE BLOCK HEATING ELEMENT ASSY. (OPTION)

<u>NO.</u>	<u>PART NO.</u>	<u>PART NAME</u>	<u>QTY.</u>	<u>REMARKS</u>
1	EE55724	KIT, 110 VOLT, COOLANT HEATER	1	
2	EE56557	CORD, CAROL 3/C 14AWG 90C.....	10.....	1PC=1FT
3	HBL5369C	CONNECTOR, 20AMP, 125V	1	

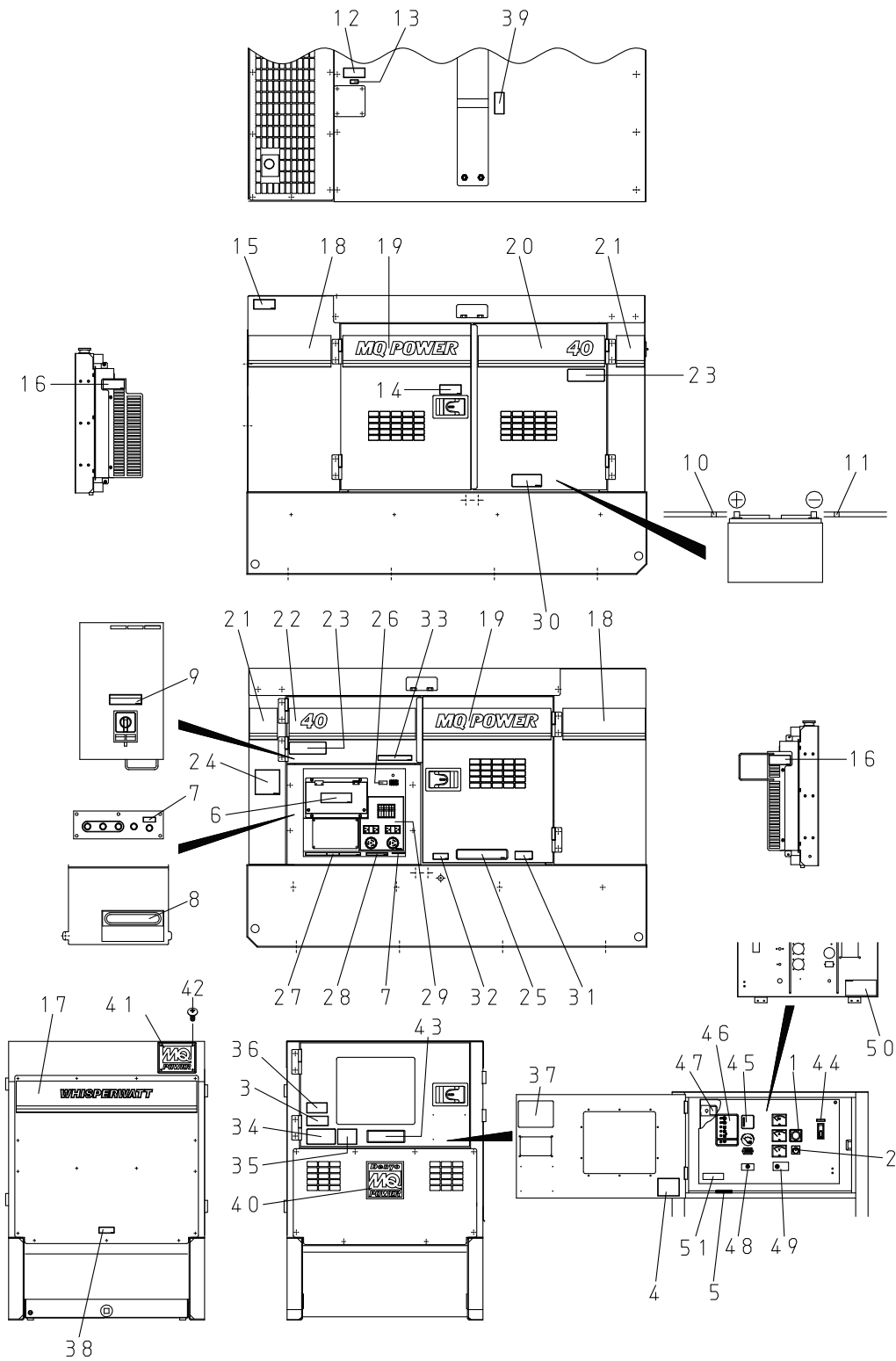
NAMEPLATE AND DECALS ASSY.



NAMEPLATE AND DECALS ASSY.

<u>NO.</u>	<u>PART NO.</u>	<u>PART NAME</u>	<u>QTY.</u>	<u>REMARKS</u>
1	M9520000104	DECAL; AMMETER CHANGE-OVER SW.....	1.....	M92000010
2	M9522000604	DECAL; VOLTAGE REGULATOR.....	1.....	M92200060
3	M9520100704	DECAL; WARNING ARC FLASH.....	1.....	M92010070
4	M9520100304	DECAL; GENERAL CAUTIONS.....	1.....	M92010030
5	M9520100004	DECAL; WARNING ELECTRICAL SHOCK.....	1.....	M92010000
6	M9520200003	DECAL; CONNECTION OF OUTPUT CABLE ..	1.....	M92020000
7	M9520000004	DECAL; GROUNDING.....	2.....	M92000000
8	M9520100404	DECAL; DANGER HIGH VOLTAGE.....	1.....	M92010040
9	M9520100204	DECAL; CAUTION CHANGE-OVER SW.....	1.....	M92010020A
10	M9500300104	DECAL; +.....	1.....	M90030010
11	M9500300004	DECAL; -.....	1.....	M90030000
12	M9503100004	DECAL; WARNING RADIATOR CAP.....	1.....	M90310000
13	M9500100004	DECAL; WATER.....	1.....	M90010000
14	M9510100004	DECAL; CAUTION HIGH TEMP.....	1.....	M91010000
15	M9503200004	DECAL; WARNING EXHAUST GAS.....	1.....	M90320000
16	M9503000004	DECAL; WARNING ROTATING PART.....	2.....	M90300000
17	M1560100603	STRIPE	1	
18	M1561102404	STRIPE	2	
19	M1561102503	STRIPE	2	
20	M1561102603	STRIPE	1	
21	M1561101504	STRIPE	2	
22	M1561102703	STRIPE	1	
23	M9520100603	DECAL; WARNING AUTO START.....	2.....	M92010060
24	M1551001204	DECAL; NOTICE LOAD SHARING.....	1.....	M15100120
25	M9503000103	DECAL; DAILY CHECK WATER AND OIL.....	1.....	M90300010
26	M9520000504	DECAL; START CONTACT.....	1.....	M92000050
27	M9520100503	DECAL; WARNING.....	1.....	M92010050
28	M9511100104	DECAL; NOTICE RECEPTACLE.....	1.....	M91110010
29	M1550001803	DECAL; AUXILIARY OUTPUTS.....	1.....	M15000180
30	M9510100403	DECAL; WARNING BATTERY CONNECT.....	1.....	M91010040A
31	M9501500004	DECAL; DIESEL FUEL.....	1.....	M90150000
32	M9500000004	DECAL; OIL DRAIN.....	1.....	M90000000
33	M9510000104	DECAL; DOCUMENT BOX LOCATED.....	1.....	M91000010
34	M9511100004	DECAL; WARNING ENVIRONMENTAL.....	1.....	M91110000
35	M9503200104	DECAL; DANGER EX. GAS (INDOOR).....	1.....	M90320010
36	M9504200004	DECAL; WARNING START FIRES.....	1.....	M90420000
37	M2550002303	DECAL; OPERATING PROCEDURES.....	1.....	M25000230
38	M9510000004	DECAL; FLUID DRAIN.....	1.....	M91000000
39	M1550001504	DECAL; CAUTION LIFTING CAPACITY.....	1.....	M15000150
40	M9511200204	STICKER, MQ.....	1.....	M91120020
41	0600500092	EMBLEM	1	
42	0021106015	MACHINE SCREW	4	

NAMEPLATE AND DECALS ASSY. (CONT.)



NAMEPLATE AND DECALS ASSY. (CONT.)

<u>NO.</u>	<u>PART NO.</u>	<u>PART NAME</u>	<u>QTY.</u>	<u>REMARKS</u>
43	M9511200103	TIER 4F.....	1.....	M91120010
44	M9522000504	DECAL; CIRCUIT BREAKER	1.....	M92200050
45	M9521000704	DECAL; CAN7X	1.....	M92100070
46	M9521001404	DECAL; WARNING LAMP PANEL.....	1.....	M92100140
47	M9520000904	DECAL; DIAGNOSTIC SWITCH.....	1.....	M92000090
48	M9504400104	DECAL; AUTO-MANUAL SWITCH	1.....	M90440010
49	M9521000804	DECAL; ENGINE SPEED SWITCH.....	1.....	M92100080
50	M9521100004	DECAL; ECU TERMINAL HIGH VOLTAGE.....	1.....	M92110000
51	M1561000104	STICKER; 36KVA.....	1.....	M16100010