

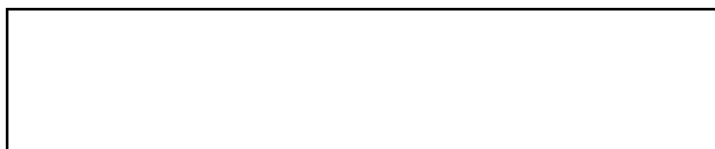
# PARTS MANUAL



**WHISPERWATT™ SERIES**  
**MODEL DCA300SSJU4F2**  
**60HZ GENERATOR**  
**(JOHN DEERE 6090HFG06 DIESEL ENGINE)**

**PARTS LIST NO. M5871300304B**

Revision #2 (10/13/21)



**THIS MANUAL MUST ACCOMPANY THE EQUIPMENT AT ALL TIMES.**

## DCA300SSJU4F2 60Hz Generator

Explanation Of Code In Remarks Column.....	4
Suggested Spare Parts .....	5

### Component Drawings

Generator Assembly .....	6–9
Control Panel Assembly .....	10–11
Control Box 1 Assembly .....	12–15
Control Box Back Panel Assembly .....	16–17
Control Box 2 Assembly .....	18–19
Engine And Radiator Assembly.....	20–23
Output Terminal Assembly.....	24–27
Battery Assembly.....	28–29
Muffler 1 Assembly .....	30–31
Muffler 2 Assembly .....	32–35
Fuel Tank Assembly.....	36–37
Enclosure 1 Assembly .....	38–43
Enclosure 2 Assembly .....	44–47
Rubber Seals Assembly .....	48–49
Water Heating Element Assembly (Option) .....	50–51
Battery Charger Assembly (Option).....	52–53
Nameplate And Decals Assembly .....	54–57

#### **NOTICE**

Specifications and part numbers are subject to change without notice.

# EXPLANATION OF CODE IN REMARKS COLUMN

The following section explains the different symbols and remarks used in the Parts section of this manual. Use the help numbers found on the back page of the manual if there are any questions.

**NOTICE**

The contents and part numbers listed in the parts section are subject to change **without notice**. Multiquip does not guarantee the availability of the parts listed.

## SAMPLE PARTS LIST

NO.	PART NO.	PART NAME	QTY.	REMARKS
1	12345	BOLT .....	1	INCLUDES ITEMS W/%
2%		WASHER, 1/4 IN. ....		NOT SOLD SEPARATELY
2%	12347	WASHER, 3/8 IN. ...	1	MQ-45T ONLY
3	12348	HOSE .....	A/R	MAKE LOCALLY
4	12349	BEARING .....	1	S/N 2345B AND ABOVE

## NO. Column

**Unique Symbols** — All items with same unique symbol (@, #, +, %, or >) in the number column belong to the same assembly or kit, which is indicated by a note in the “Remarks” column.

**Duplicate Item Numbers** — Duplicate numbers indicate multiple part numbers, which are in effect for the same general item, such as different size saw blade guards in use or a part that has been updated on newer versions of the same machine.

**NOTICE**

When ordering a part that has more than one item number listed, check the remarks column for help in determining the proper part to order.

## PART NO. Column

**Numbers Used** — Part numbers can be indicated by a number, a blank entry, or TBD.

TBD (To Be Determined) is generally used to show a part that has not been assigned a formal part number at the time of publication.

A blank entry generally indicates that the item is not sold separately or is not sold by Multiquip. Other entries will be clarified in the “Remarks” Column.

## QTY. Column

**Numbers Used** — Item quantity can be indicated by a number, a blank entry, or A/R.

A/R (As Required) is generally used for hoses or other parts that are sold in bulk and cut to length.

A blank entry generally indicates that the item is not sold separately. Other entries will be clarified in the “Remarks” Column.

## REMARKS Column

Some of the most common notes found in the “Remarks” Column are listed below. Other additional notes needed to describe the item can also be shown.

**Assembly/Kit** — All items on the parts list with the same unique symbol will be included when this item is purchased.

Indicated by:

“INCLUDES ITEMS W/(unique symbol)”

**Serial Number Break** — Used to list an effective serial number range where a particular part is used.

Indicated by:

“S/N XXXXX AND BELOW”

“S/N XXXX AND ABOVE”

“S/N XXXX TO S/N XXX”

**Specific Model Number Use** — Indicates that the part is used only with the specific model number or model number variant listed. It can also be used to show a part is NOT used on a specific model or model number variant.

Indicated by:

“XXXXX ONLY”

“NOT USED ON XXXX”

**“Make/Obtain Locally”** — Indicates that the part can be purchased at any hardware shop or made out of available items. Examples include battery cables, shims, and certain washers and nuts.

**“Not Sold Separately”** — Indicates that an item cannot be purchased as a separate item and is either part of an assembly/kit that can be purchased, or is not available for sale through Multiquip.

## SUGGESTED SPARE PARTS

### DCA300SSJU4F2 WHISPERWATT GENERATOR WITH JOHN DEERE 6090HFG06 DIESEL ENGINE

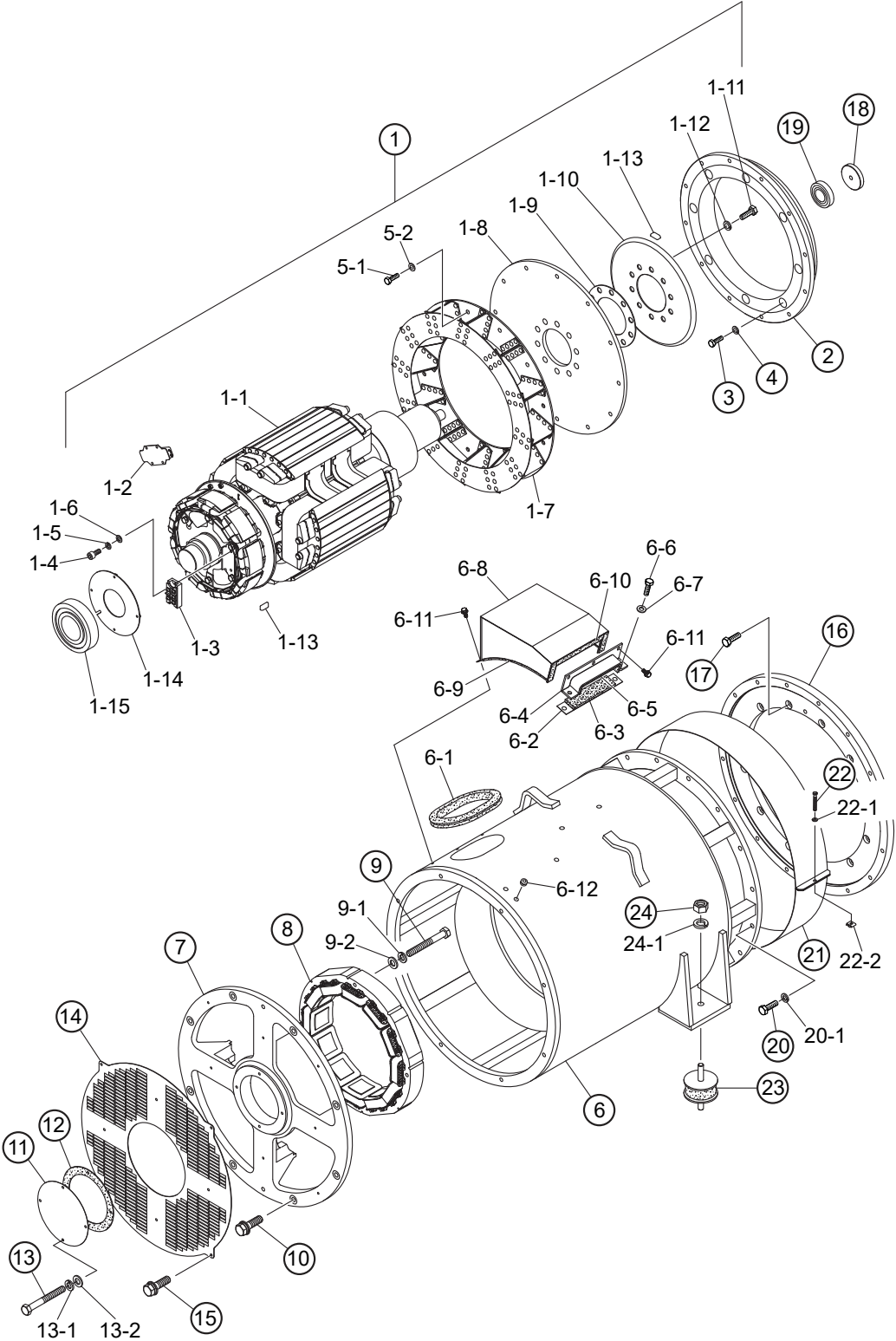
#### 1 to 3 units

Qty.	P/N	Description
2	M5311501003	HOSE, RADIATOR, UPPER
2	M5311501103	HOSE, RADIATOR, LOWER
3	RE527152	BELT, FAN
3	RE539465	ELEMENT FUEL FILTER, PRIMARY
3	RE533910	FUEL FILTER, SECONDARY
6	RE509672	ELEMENT, OIL FILTER
3	P777868	ELEMENT AIR CLEANER PRIMARY
3	P777869	ELEMENT AIR CLEANER SAFETY
1	0601808803	CIRCUIT BREAKER 1P 20A
1	0601808804	CIRCUIT BREAKER 2P 50A
2	LY2DUS12VDC	RELAY
1	0601806643	FUSE, 15A
1	Y0601806647	FUSE, 25A
1	0601806683	FUSE, 8A

#### NOTICE

Part numbers on this Suggested Spare Parts list may supersede/replace the part numbers shown in the following parts lists.

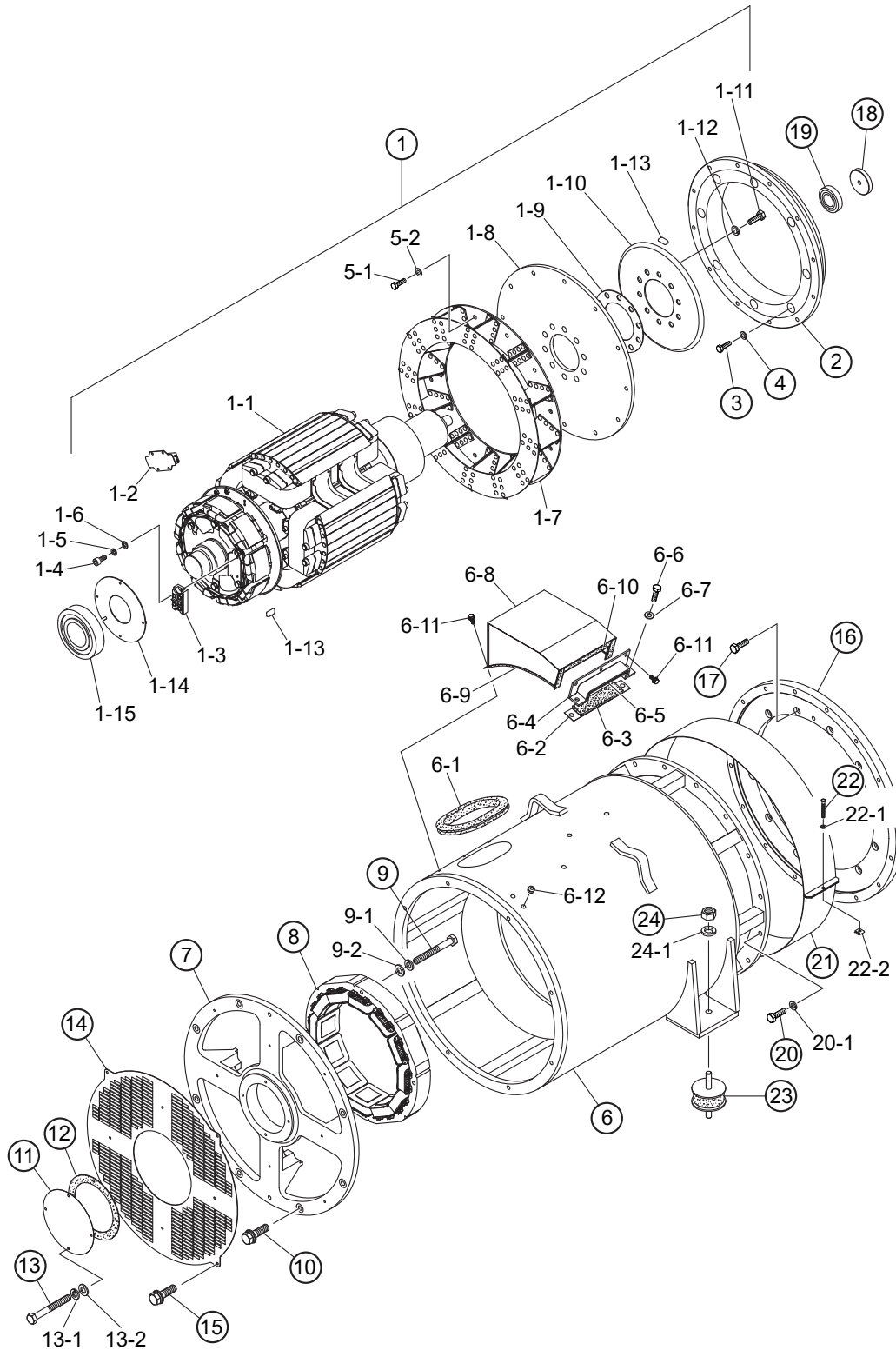
# GENERATOR ASSY.



## GENERATOR ASSY.

<u>NO.</u>	<u>PART NO.</u>	<u>PART NAME</u>	<u>QTY.</u>	<u>REMARKS</u>
1	C2110000002	ROTOR ASSY. ....	1.....	INCLUDES ITEMS W/\$
1-1\$		FIELD ASSY.	1	
1-2\$	0601842401	RESISTOR, 80W 300KΩ	2	
1-3\$	0601823282	RECTIFIER	1	
1-4\$	0018205020	HEX. SOCKET HEAD CAP SCREW	2	
1-5\$	0032005000	WASHER, LOCK.....	2.....	REPLACES P/N 0040005000
1-6\$	0401450050	WASHER, FLAT .....	2.....	REPLACES P/N 0041205000
1-7\$	8201070002	FAN	1	
1-8\$	8201611004	COUPLING DISK	12	
1-9\$	C3164200004	WASHER, COUPLING HUB	1	
1-10\$	8201015003	BALANCING PLATE .....	1.....	ITEM 1-13 MUST BE ORDERED WHEN REPLACING ITEM 1-10
1-11\$	0012116045	HEX.HEAD BOLT	10	
1-12\$	0042616000	WASHER, LOCK	10	
1-13\$	0601000209	BALANCING WEIGHT KIT	1	
1-14\$	C3112500004	BEARING FLANGE	1	
1-15\$	0071906315	BEARING	1	
2\$	M5163400103	COUPLING RING	1	
3\$	0343206200	HEX. HEAD BOLT	8	
4\$	0043606000	WASHER, LOCK	8	
5-1\$	0012112040	HEX. HEAD BOLT	12	
5-2\$	Y0040012000	WASHER, LOCK	12	
6	C2130100103	STATOR ASSY. ....	1.....	INCLUDES ITEMS W/#
6-1#	0226200430	RUBBER SEAL	1	
6-2#	8201323004	CLAMPER	1	
6-3#	0223300140	RUBBER SEAL	1	
6-4#	8201323103	CLAMPER	1	
6-5#	Y0223100175	RUBBER SEAL	1	
6-6#	0010110035	HEX. HEAD BOLT	2	
6-7#	031110160	WASHER, FLAT .....	2.....	REPLACES P/N 0041210000
6-8#	C2132200003	COVER	1	
6-9#	0226000275	RUBBER SEAL	2	
6-10#	0225000500	RUBBER SEAL	1	
6-11#	0017106016	HEX. HEAD BOLT	6	
6-12#	0601850144	GROMMET	1	
7	C3154000002	END BRACKET	1	
8	C3138000003	FIELD ASSY., EXCITER	1	
9	0012110080	HEX. HEAD BOLT	4	
9-1	0042610000	WASHER, LOCK	4	
9-2	031110160	WASHER, FLAT .....	4.....	REPLACES P/N 0041210000
10	0017112045	HEX. HEAD BOLT	8	
11	C3154300104	COVER, BEARING	1	
12	C3154300004	GASKET, BEARING	1	
13	0010106060	HEX. HEAD BOLT	4	
13-1	0040006000	WASHER, LOCK	4	
13-2	952404470	WASHER, FLAT .....	4.....	REPLACES P/N 0041206000
14	C3154400003	SUCTION COVER	1	

# GENERATOR ASSY. (CONT'D.)

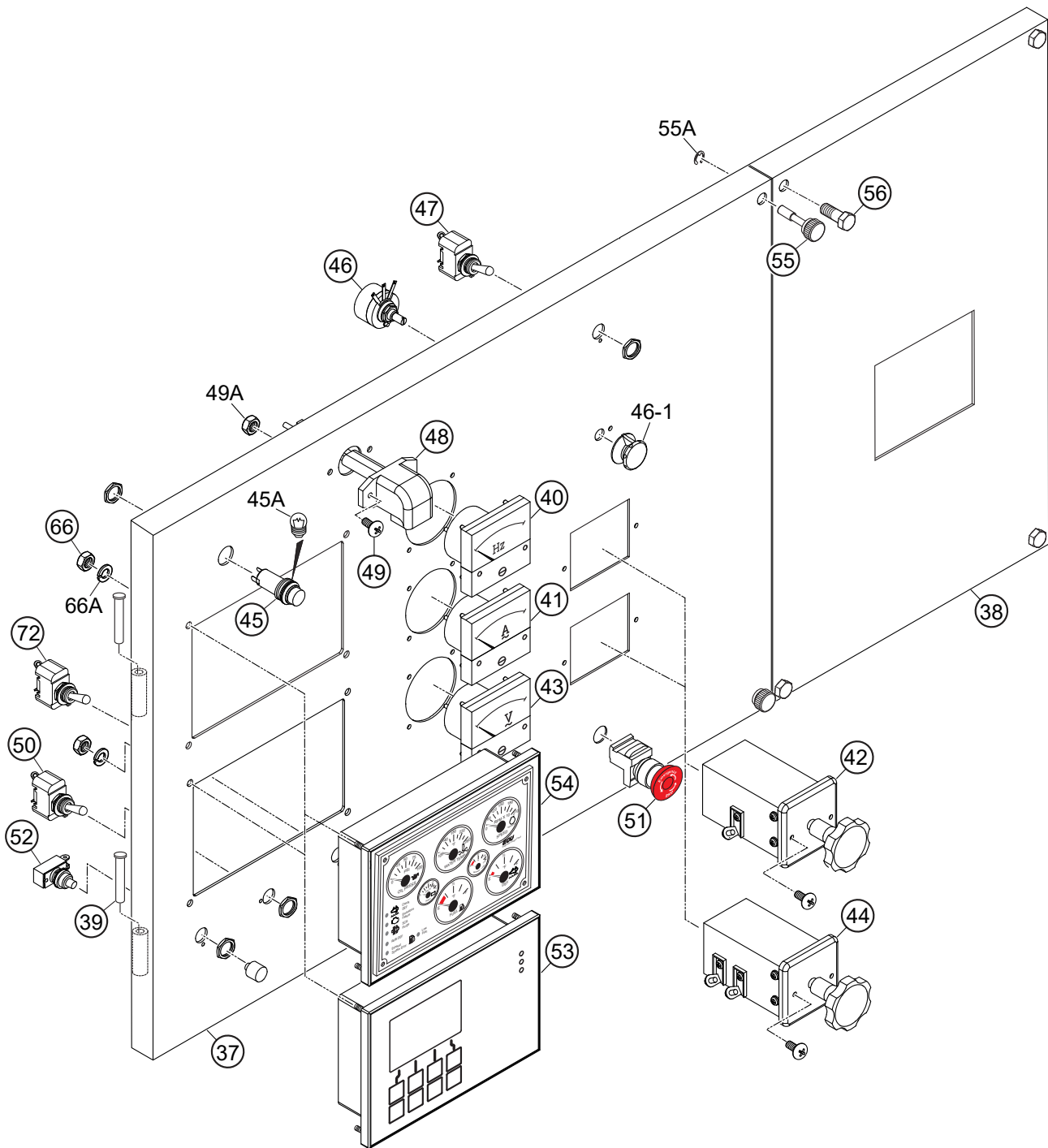


## GENERATOR ASSY. (CONT'D.)

<u>NO.</u>	<u>PART NO.</u>	<u>PART NAME</u>	<u>QTY.</u>	<u>REMARKS</u>
15	011106015	HEX. HEAD BOLT.....	8.....	REPLACES P/N 0017106015
16	M5163600303	COUPLING ADAPTER	1	
17	012010030	HEX. HEAD BOLT.....	12.....	REPLACES P/N 0012810030
18	M5163700004	SPACER, BEARING	1	
19	0070506208	BEARING	1	
20	0012112040	HEX. HEAD BOLT	16	
20-1	Y0040012000	WASHER, LOCK	16	
21	C3132300014	COVER, FAN	1	
22	0010006030	HEX. HEAD BOLT.....	1.....	REPLACES P/N 0010106030
22-1	952404470	WASHER, FLAT.....	1.....	REPLACES P/N 0041206000
22-2	020106050	NUT.....	1.....	REPLACES P/N 0600815000
23	0605000012	RUBBER SUSPENSION	2	
24	0030020000	HEX. NUT	4	
24-1	030220510	WASHER, LOCK.....	4.....	REPLACES P/N 0040020000



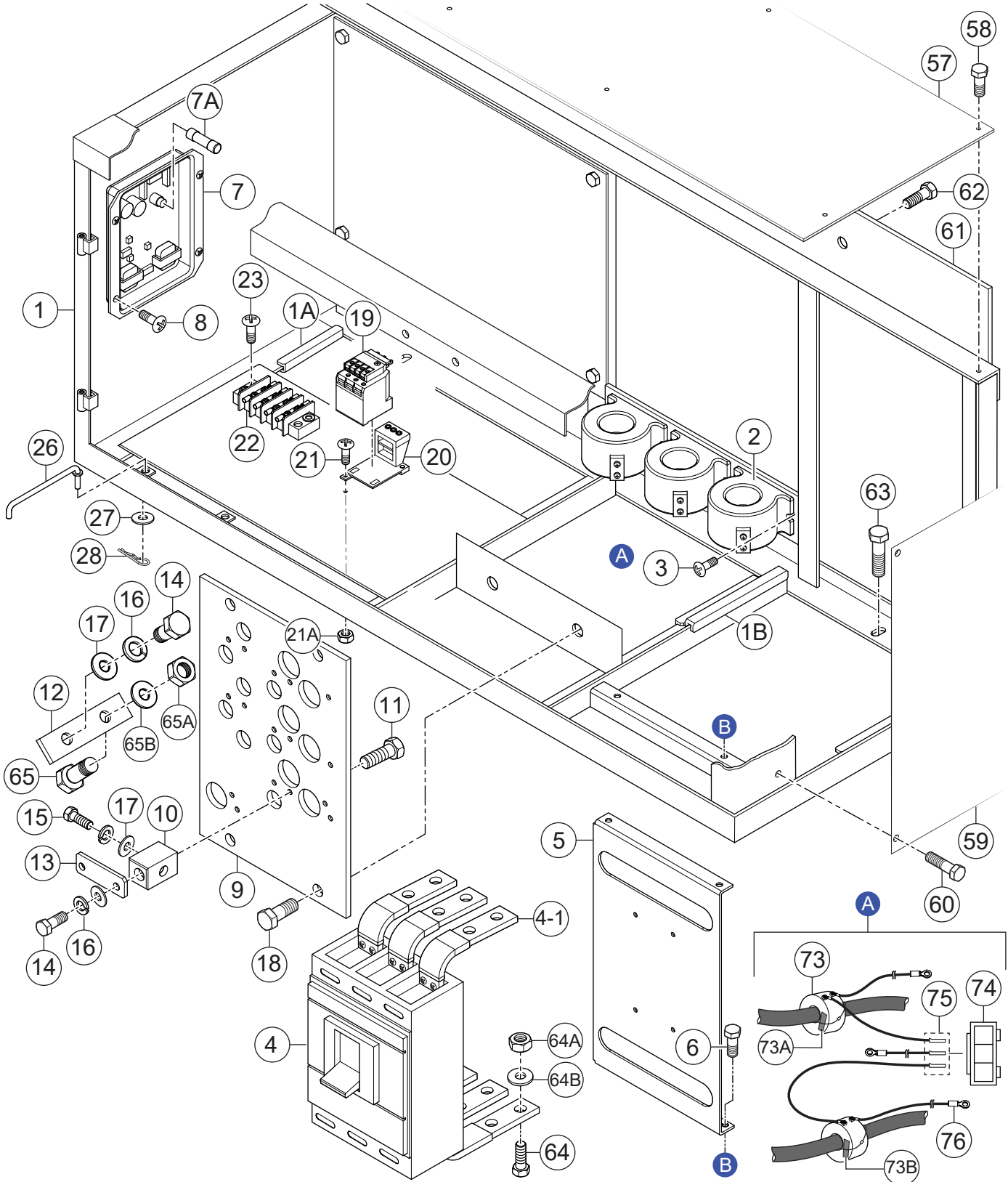
# CONTROL PANEL ASSY.



## CONTROL PANEL ASSY.

<u>NO.</u>	<u>PART NO.</u>	<u>PART NAME</u>	<u>QTY.</u>	<u>REMARKS</u>
37	M5224000302	CONTROL PANEL	1	
38	M5224000104	CONTROL PANEL	1	
39	0605011211	PIN	2	
40	0601807622	FREQUENCY METER, 45~65HZ 240V	1	
41	0601806979	AC AMMETER, 0~500A/1000A:5A	1	
42	0601801040	CHANGE-OVER SWITCH, AMMETER	1	
43	0601806887	AC VOLTMETER, 0~600V	1	
44	0601801041	CHANGE-OVER SWITCH, VOLTMETER	1	
45	0602103092	FUEL LEAK DETECTED ALARM LAMP .....	1.....	INCLUDES ITEMS W/#
45A#	0602103092	BULB.....	1.....	REPLACES P/N 0601810277
46	0601840073	RHEOSTAT (VR)	1	
46-1	0601840100	KNOB.....	1.....	REPLACES P/N 0601840121
47	0601830710	PANEL LIGHT SWITCH	1	
48	Y0601810170	PANEL LIGHT, 12V	1	
49	0027104020	MACHINE SCREW	2	
49A	OEMAA8	HEX. NUT .....	2.....	REPLACES P/N 0207004000
50	82608	AUTO-MANUAL START/STOP SWITCH .....	1.....	REPLACES P/N 0601831340
51	0601831557	EMERGENCY STOP BUTTON	1	
52	0601831205	HOUR CHECK BUTTON SWITCH	1	
53	Y0602203046	ECU CONTROLLER	1	
54	Y0602120568	GAUGE UNIT ASSY.	1	
55	M9220100004	SET SCREW	2	
55A	0080200007	SNAP RING	2	
56	0017108040	HEX. HEAD BOLT	4	
66	Y0206707000	HEX. NUT	8	
66A	Y0044807000	WASHER, LOCK	8	
72	0601830710	ENGINE SPEED SWITCH	1	

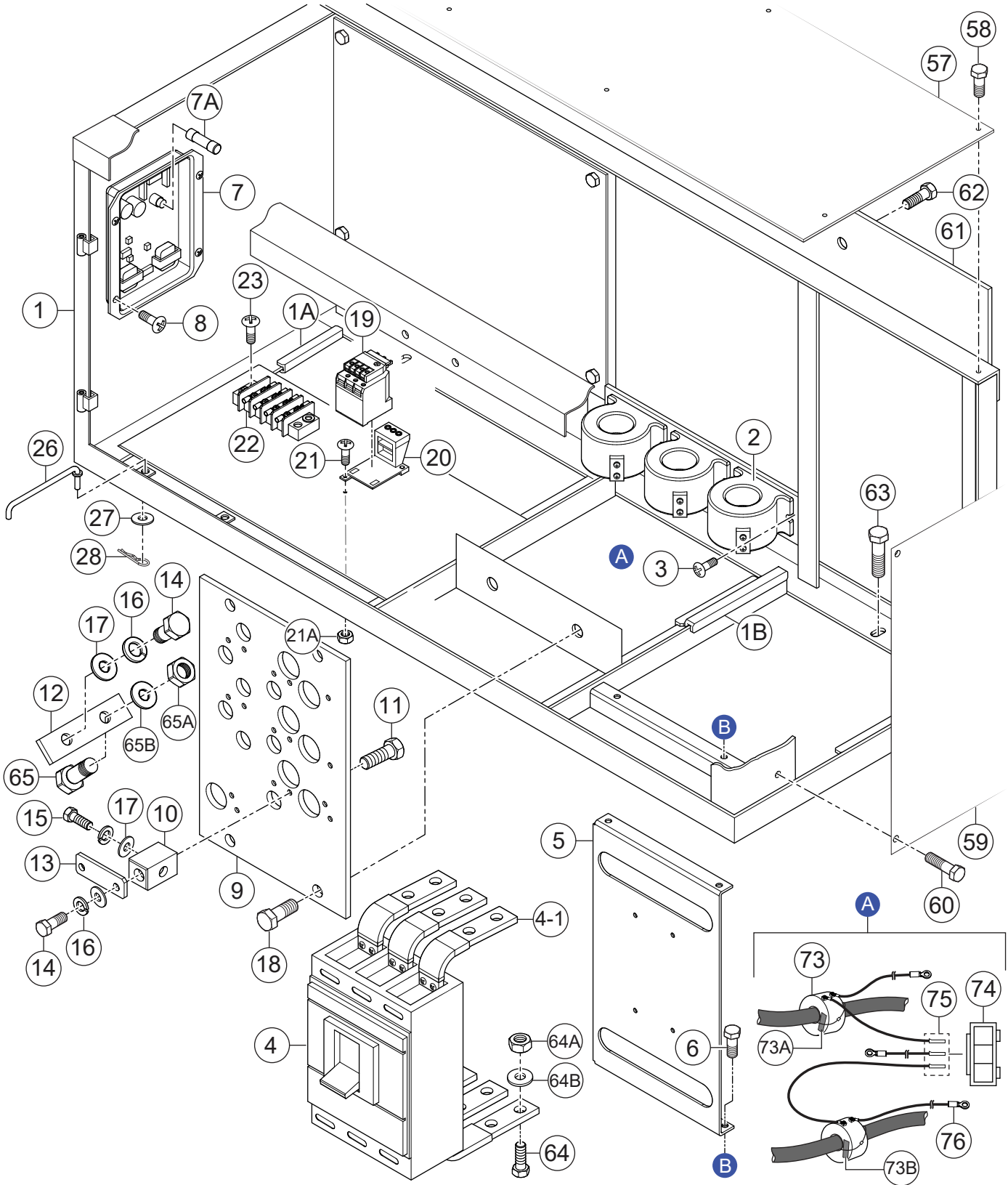
# CONTROL BOX 1 ASSY.



# CONTROL BOX 1 ASSY.

<u>NO.</u>	<u>PART NO.</u>	<u>PART NAME</u>	<u>QTY.</u>	<u>REMARKS</u>
1	M5214000202	CONTROL BOX	1	
1A	Y0411100100	EDGE TRIM	1	
1B	Y0411100150	EDGE TRIM	1	
2	0601809659	CURRENT TRANSFORMER 500/5A	3	
3	011808015	MACHINE SCREW .....	6.....	REPLACES P/N 0027106015
4	Y0601807528	CIRCUIT BREAKER, 800A	1	
4-1	Y0601827410	BUS BAR (SET)	2	
5	M5261600004	SET PANEL, CIRCUIT BREAKER	1	
6	011008020	HEX. HEAD BOLT .....	4.....	REPLACES P/N 0016908020
7	0601820601	AUTOMATIC VOLTAGE REGULATOR .....	1.....	INCLUDES ITEMS W/#
7A#	0601806683	FUSE, 8A	1	
8	0027105015	MACHINE SCREW	4	
9	M5273000103	TERMINAL BOARD	1	
10	M5276400104	CHANGE-OVER TERMINAL	10	
11	011208030	HEX. HEAD BOLT .....	20.....	REPLACES P/N 0017108030
12	C2277200004	CHANGE-OVER PLATE .....	3.....	REPLACES P/N M5276200004
13	8201853104	CHANGE-OVER PLATE .....	6.....	REPLACES P/N M5276300104
14	M9220101104	HEX. HEAD BOLT	13	
15	M2233100004	HEX. HEAD BOLT	13	
16	0040012000	WASHER, LOCK	26	
17	0041412000	WASHER, FLAT	26	
18	012010030	HEX. HEAD BOLT .....	4.....	REPLACES P/N 0017110030
19	Y0601820843	OVER CURRENT RELAY	1	
20	Y0601820844	BASE, OVER CURRENT RELAY	1	
21	0027104020	MACHINE SCREW	2	
21A	OEMAA8	HEX. NUT .....	2.....	REPLACES P/N0207004000
22	0601815153	TERMINAL BOARD	1	
23	0027104020	MACHINE SCREW	2	
26	M4213600104	STOPPER, CONTROL PANEL	1	
27	952404470	WASHER, FLAT .....	1.....	REPLACES P/N 0041206000
28	505015300	SNAP PIN .....	1.....	REPLACES P/N 0605010502
57	M5214500004	UP PANEL, CONTROL BOX	1	
58	011008020	HEX. HEAD BOLT .....	8.....	REPLACES P/N 0016908020
59	M5214300004	SIDE PANEL, CONTROL BOX	1	
60	011008020	HEX. HEAD BOLT .....	4.....	REPLACES P/N 0016908020
61	M5214600404	BACK PANEL, CONTROL BOX	1	
62	011008020	HEX. HEAD BOLT .....	9.....	REPLACES P/N 0016908020
63	0016910030	HEX. HEAD BOLT	3	
64	Y0017112040	HEX. HEAD BOLT	6	
64A	0030012000	HEX. NUT	6	
64B	031112230	WASHER, FLAT .....	6.....	REPLACES P/N 0041212000
65	Y0017112040	HEX. HEAD BOLT	3	
65A	0030012000	HEX. NUT	3	
65B	031112230	WASHER, FLAT .....	3.....	REPLACES P/N 0041212000

# CONTROL BOX 1 ASSY. (CONT'D.)

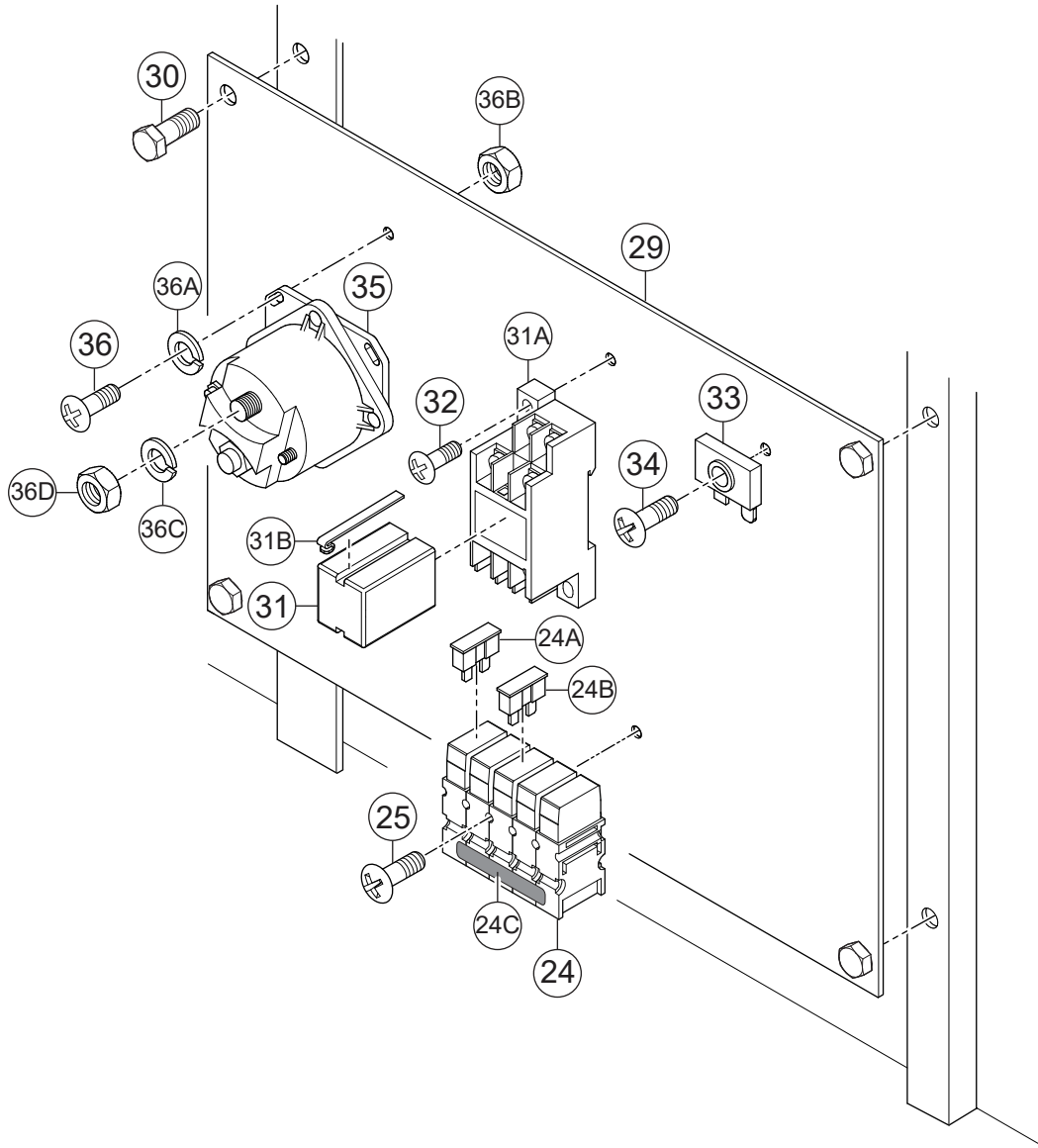


## **CONTROL BOX 1 ASSY. (CONT'D.)**

---

<u>NO.</u>	<u>PART NO.</u>	<u>PART NAME</u>	<u>QTY.</u>	<u>REMARKS</u>
73	Y0601872912	CURRENT TRANSFORMER	2	
73A	M9521001604	DECAL: CT4	1	
73B	M9521001704	DECAL: CT5	1	
74	Y0601813924	PLUG	1	
75	0601812711	PINS	3	
76	Y0601815587	ROUND TERMINAL	3	

# CONTROL BOX BACK PANEL ASSY.

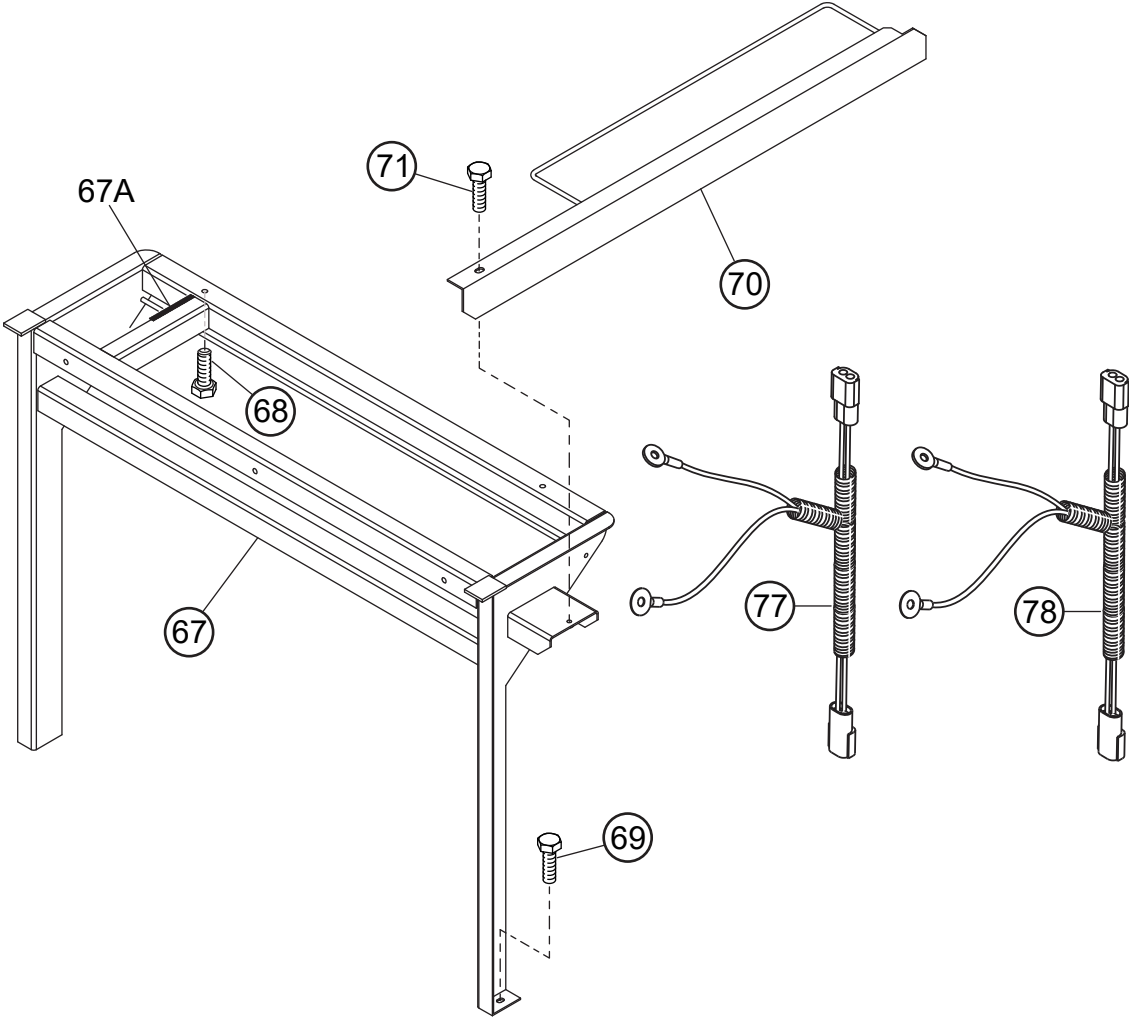


## CONTROL BOX BACK PANEL ASSY.

<u>NO.</u>	<u>PART NO.</u>	<u>PART NAME</u>	<u>QTY.</u>	<u>REMARKS</u>
24	M3214601404	ASSY., HOLDER FUSE	1	
24A	0601806643	FUSE, 15A	2	
24B	0601806647	FUSE, 25A	3	
24C	M9501400304	DECAL: FUSE HOLDER.....	1.....	M90140030
25	Y0027203035	MACHINE SCREW	2	
29	M5261500103	SET PANEL, ELECTRIC PARTS	1	
30	011008020	HEX. HEAD BOLT.....	4.....	REPLACES P/N 0016908020
31	LY2DUS12VDC	RELAY, LY-2D DC12V .....	1.....	REPLACES P/N 0601827656
31A	PTF08A	RELAY BASE, PTF08A-E .....	1.....	REPLACES P/N 0601823109
31B	PYCA1	RELAY CLIP, PYC-A1 .....	2.....	REPLACES P/N 0601824400
32	0027104020	MACHINE SCREW	2	
33	0601821370	RECTIFIER.....	1.....	REPLACES P/N 0601823240
34	0027104020	MACHINE SCREW	1	
35	Y0602201458	STARTER RELAY	1	
36	011808015	MACHINE SCREW .....	2.....	REPLACES P/N 0027106015
36A	0044808000	WASHER, LOCK	2	
36B	Y0206508000	HEX. NUT	2	
36C	Y0043008000	WASHER, LOCK	2	
36D	Y0206803000	HEX. NUT	2	



**CONTROL BOX 2 ASSY.**

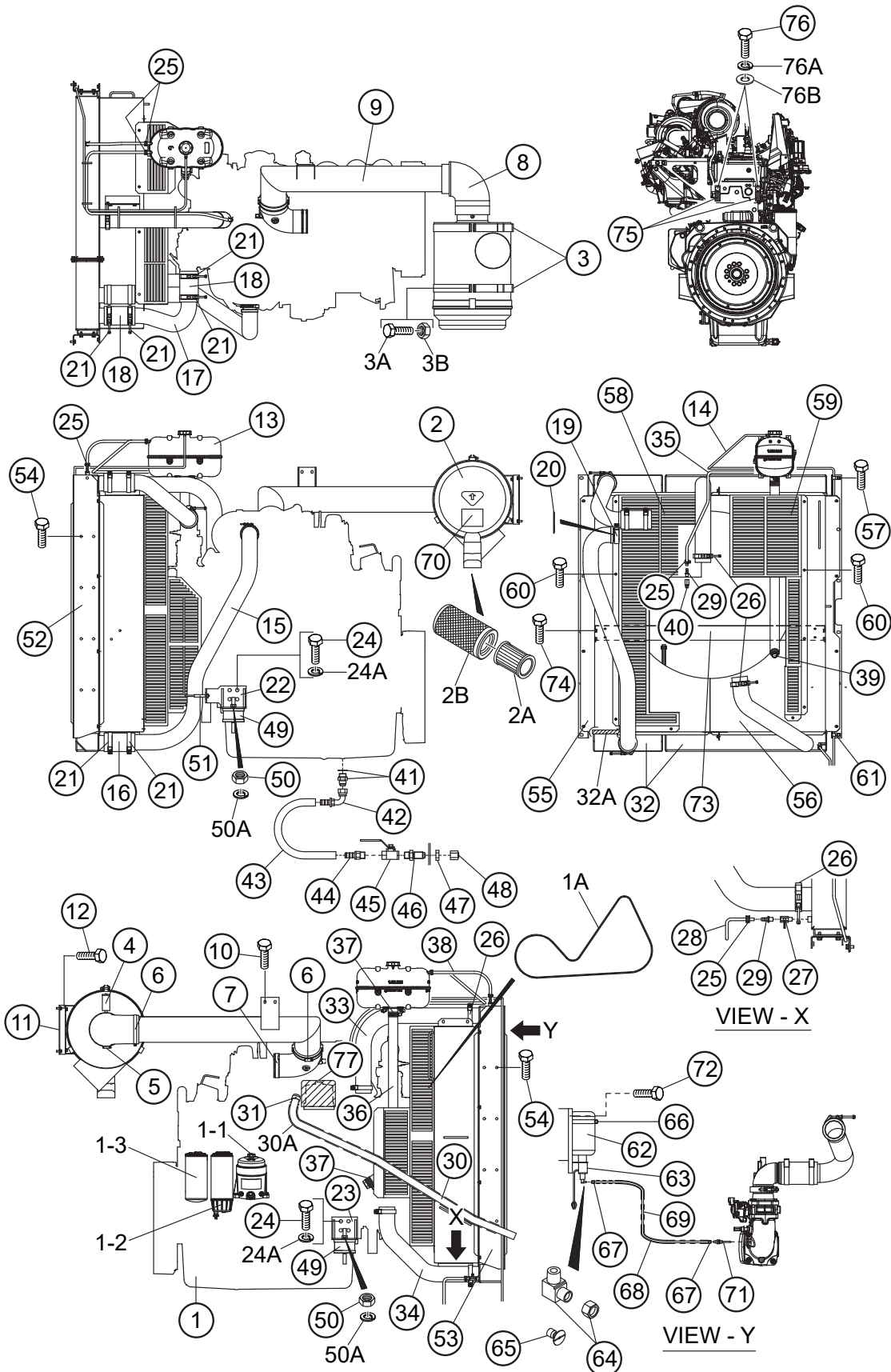


## CONTROL BOX 2 ASSY.

---

<u>NO.</u>	<u>PART NO.</u>	<u>PART NAME</u>	<u>QTY.</u>	<u>REMARKS</u>
67	M5484000103	SUPPORT LEG .....	1.....	S/N 9110127 AND BELOW
67	M5484000203	SUPPORT LEG .....	1.....	S/N 9110128 AND ABOVE
67A	Y0411100100	EDGE TRIM	1	
68	0016910030	HEX. HEAD BOLT	5	
69	011008020	HEX. HEAD BOLT .....	2.....	REPLACES P/N 0016908020
70	M5358300204	HARNESS CLAMPER	1	
71	011008020	HEX. HEAD BOLT .....	2.....	REPLACES P/N 0016908020
77	M5247700514	WIRE HARNESS, GENERATOR	1	
78	M5358200612	WIRE HARNESS, ENGINE	1	

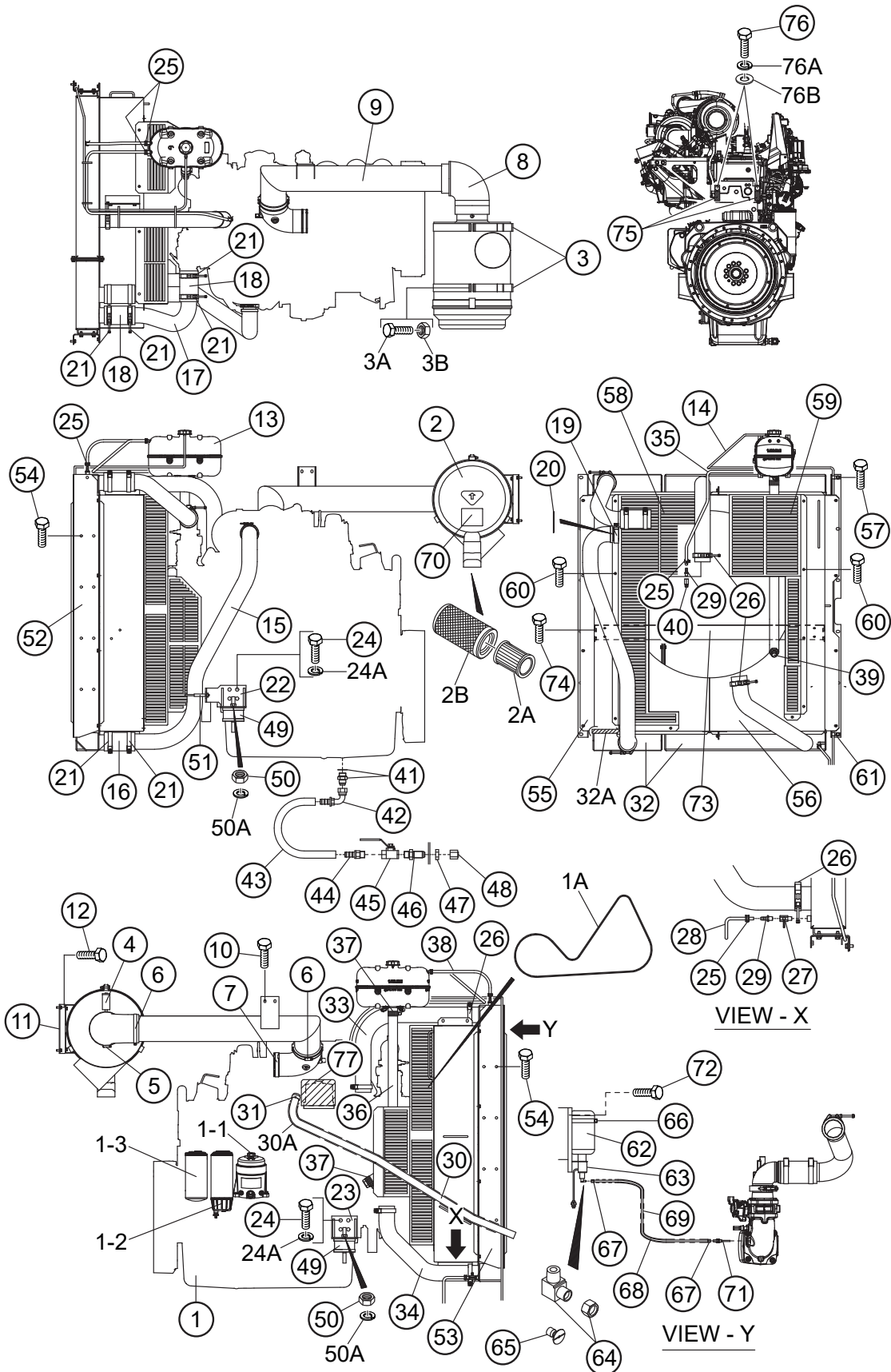
# ENGINE AND RADIATOR ASSY.



## ENGINE AND RADIATOR ASSY.

<u>NO.</u>	<u>PART NO.</u>	<u>PART NAME</u>	<u>QTY.</u>	<u>REMARKS</u>
1	6090HFG06	ENGINE, JOHN DEERE	1	
1A	RE527152	BELT, FAN	1	
1-1	RE509672	ELEMENT, OIL FILTER	1	
1-2	RE539465	ELEMENT, FUEL FILTER (PRIMARY)	1	
1-3	RE533910	FUEL FILTER (SECONDARY)	1	
2	Y0602046592	AIR CLEANER.....	1.....	INCLUDES ITEMS W/#
2A#	0602046653-1	ELEMENT, AIR CLEANER (SAFETY).....	1.....	REPLACES P/N P777869
2B#	P777868	ELEMENT, AIR CLEANER (PRIMARY).....	1.....	REPLACES P/N 0602046698
3	P016845	AIR CLEANER BAND.....	2.....	REPLACES P/N 0602040520
3A	011208025	HEX. HEAD BOLT, 8X25.....	4.....	REPLACES P/N 0016908025
3B	Y0207008000	SELF LOCK NUT	4	
4	Y0602040652	AIR CLEANER INDICATOR	1	
5	Y0605515203	HOSE BAND	1	
6	0605515202	HOSE BAND	2	
7	0605515197	HOSE BAND	1	
8	P143895	AIR CLEANER HOSE.....	1.....	REPLACES P/N 0602040330
9	M5374000304	AIR CLEANER PIPE.....	1.....	S/N 9110127 AND BELOW
9	M5374000314	AIR CLEANER PIPE.....	1.....	S/N 9110128 AND ABOVE
10	011008020	HEX. HEAD BOLT.....	2.....	REPLACES P/N 0016908020
11	M5374200104	AIR CLEANER BRACKET.....	1.....	S/N 9110127 AND BELOW
11	M5374200304	AIR CLEANER BRACKET.....	1.....	S/N 9110128 AND ABOVE
12	011008020	HEX. HEAD BOLT.....	4.....	REPLACES P/N 0016908020
13	RE549081	SURGE TANK.....	1.....	REPLACES P/N 0602010222
14	Y0193602900	OVER FLOW HOSE	1	
15	M5311400003	INTER-COOLER PIPE	1	
16	Y0602015611	CAC HOSE	1	
17	M5311400203	INTER-COOLER PIPE	1	
18	Y0602015612	CAC HOSE	2	
19	RE292067	V-BAND CLAMP	1	
20	RE529509	GASKET	1	
21	Y0605515234	HOSE BAND	6	
22	M5304200204	ENGINE FOOT	1	
23	M5304200104	ENGINE FOOT	1	
24	Y0013616050	HEX. HEAD BOLT	8	
24A	0040016000	WASHER, LOCK	8	
25	0605515189	HOSE BAND	5	
26	0605515205	HOSE BAND	4	
27	Y0605511394	MINI BALL VALVE	1	
28	0193600500	DRAIN HOSE	1	
29	Y0605512192	HOSE JOINT	3	
30	Y0191701500	BLOWBY HOSE	1	
30A	Y0377801350	AEROFLEX TUBE	1	
31	0605515134	HOSE BAND	1	
32	Y0602012953	RADIATOR & INTER-COOLER	1	
32A	M5494102604	ACOUSTIC SHEET	4	
33	M5311501003	RADIATOR HOSE, UPPER	1	
34	M5311501103	RADIATOR HOSE, LOWER	1	

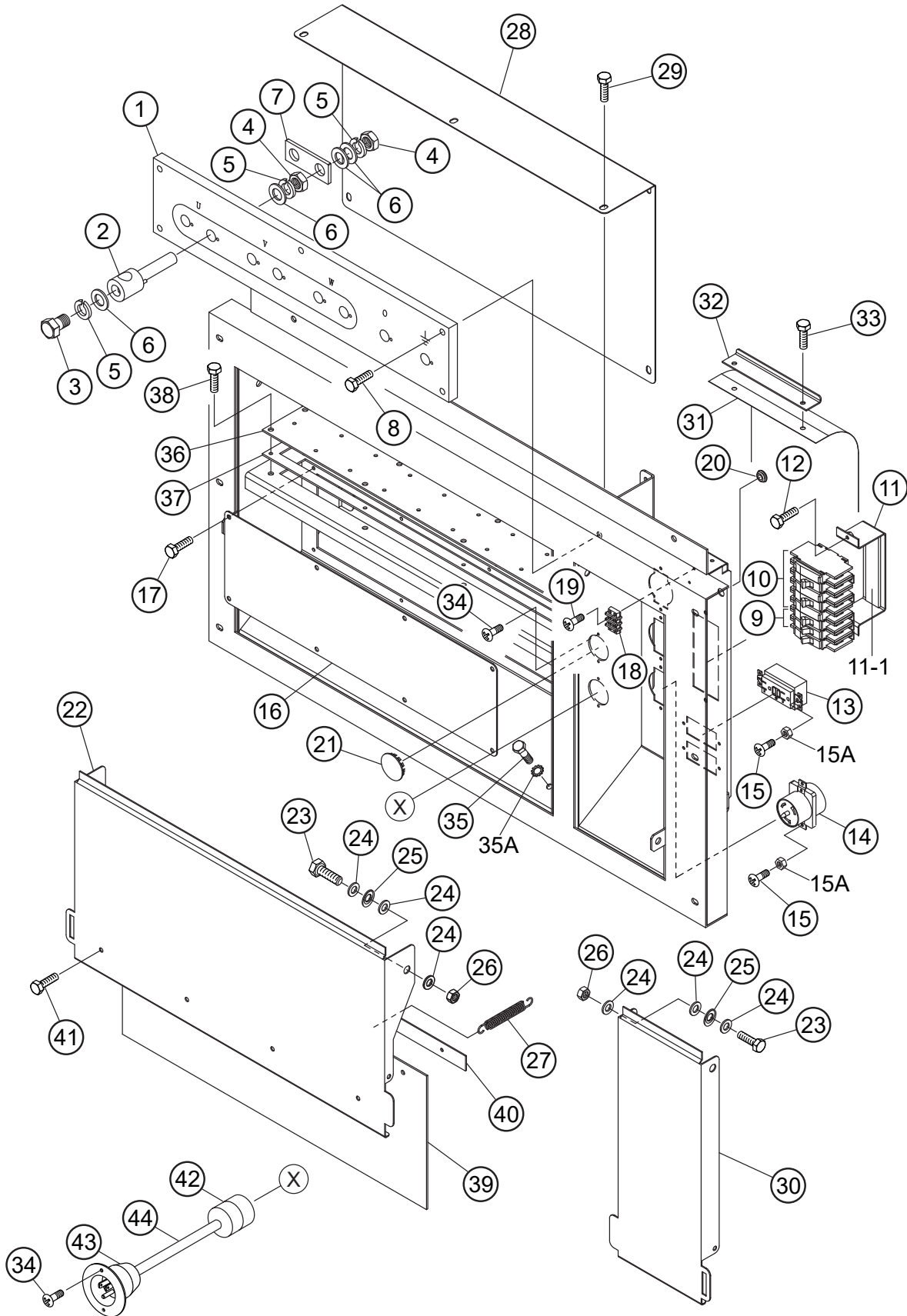
# ENGINE AND RADIATOR ASSY. (CONT'D.)



## ENGINE AND RADIATOR ASSY. (CONT'D.)

NO.	PART NO.	PART NAME	QTY.	REMARKS
35	0199901400	VENTILATION HOSE	1	
36	M5317200003	SURGE TANK HOSE	1	
37	0605515149	HOSE BAND	2	
38	0199900450	VENTILATION HOSE	1	
39	Y0602010224	WATER PUMP JOINT	1	
40	Y0602022584	SWIVEL CONNECTOR	1	
41	Y0602022583	ADAPTER	1	
42	0602022561	90°ELBOW	1	
43	Y0269201400	PUSH-LOCK HOSE	1	
44	0603306395	MALE PIPE	1	
45	0605511395	BALL VALVE	1	
46	0603306590	MALE BULKHEAD CONNECTOR	1	
47	0603300285	BULKHEAD LOCKNUT	1	
48	Y0602021070	CAP	1	
49	0605000011	RUBBER SUSPENSION	2	
50	0030016000	HEX. NUT	4	
50A	0040016000	WASHER, LOCK	4	
51	0602326060	U-BOLT	1	
52	M5311200104	RADIATOR BRACKET	1	
53	M5311200604	RADIATOR BRACKET	1	
54	011008020	HEX. HEAD BOLT .....	28	REPLACES P/N 0016908020
55	M5311301003	FAN SHROUD	1	
56	M5311300803	FAN SHROUD	1	
57	011008020	HEX. HEAD BOLT .....	12	REPLACES P/N 0016908020
58	M5311300403	FAN GUARD	1	
59	M5311300903	FAN GUARD	1	
60	011008020	HEX. HEAD BOLT .....	15	REPLACES P/N 0016908020
61	0602220911	CLAMP	2	
62	Y0602050110	STARTING FLUID CYLINDER	1	
63	Y0602050111	NVT VALVE ASSEMBLY	1	
64	Y0602050112	VALVE FITTING	1	
65	Y0602050122	ORIFICE	1	
66	Y0602050113	CYLINDER CLAMP	1	
67	Y0602050114	TUBE FITTINGS	2	
68	Y0602050115	NYLON TUBE	1	
69	Y0602050116	PROTECTIVE SHEETING	1	
70	Y0602050119	DIESELMATIC AIR FILTER LABEL	1	
71	AT183222	INJECTOR NOZZLE	1	
72	011008020	HEX. HEAD BOLT .....	4	REPLACES P/N 0016908020
73	M5311301104	BAFFLE PLATE	1	
74	011008020	HEX. HEAD BOLT .....	4	REPLACES P/N 0016908020
75	M3483600104	CLAMP	2	
76	Y0013614030	HEX. HEAD BOLT	2	
76A	030214350	WASHER, LOCK.....	2	REPLACES P/N 0040014000
76B	031114260	WASHER, FLAT .....	2	REPLACES P/N 0041214000
77	Y0602044500	BLOW-BY FILTER COVER	1	

# OUTPUT TERMINAL ASSY.



## OUTPUT TERMINAL ASSY.

<u>NO.</u>	<u>PART NO.</u>	<u>PART NAME</u>	<u>QTY.</u>	<u>REMARKS</u>
1	C2231700403	TERMINAL PANEL .....	1.....	REPLACES P/N M5230700003
2	M9220100914	OUTPUT TERMINAL BOLT	8	
3	M9220101004	TIE BOLT	8	
4	0039320000	HEX. NUT	16	
5	030220510	WASHER, LOCK.....	24.....	REPLACES P/N 0040020000
6	0041420000	WASHER, FLAT	32	
7	M5233200004	TERMINAL PLATE	3	
8	014210040	HEX. HEAD BOLT.....	5.....	REPLACES P/N 0017110040
9	0601808803	CIRCUIT BREAKER, 20A	2	
10	0601808804	CIRCUIT BREAKER, 50A	3	
11	M4260600104	BRACKET, CIRCUIT BREAKER	1	
11-1	0222100150	RUBBER CUSHION	1	
12	011206020	HEX. HEAD BOLT.....	2.....	REPLACES P/N 0016906020
13	0601814024	RECEPTACLE (GFCI)	2	
14	0601814014	RECEPTACLE	3	
15	0027104015	MACHINE SCREW	10	
15A	OEMAA8	HEX. NUT .....	10.....	REPLACES P/N 0207004000
16	M4236400204	COVER	1	
17	0016906015	HEX. HEAD BOLT	8	
18	0601815194	TERMINAL	1	
19	0027104015	MACHINE SCREW	2	
20	0601850275	GROMMET	1	
21	0603306775	BLIND PLUG.....	2.....	S/N 9110127 AND BELOW
21	0603306775	BLIND PLUG.....	1.....	S/N 9110128 AND ABOVE
22	M5237100313	TERMINAL COVER	1	
23	Y0013612045	HEX. HEAD BOLT	4	
24	031112230	WASHER, FLAT .....	12.....	REPLACES P/N 0041212000
25	0605050060	CONICAL SPRING WASHER	4	
26	0030012000	HEX. NUT	4	
27	M9210000204	SPRING	2	
28	M5237100504	COVER	1	
29	011008020	HEX. HEAD BOLT.....	7.....	REPLACES P/N 0016908020
30	M5237100404	TERMINAL COVER	1	
31	M4236100604	INSULATING COVER	1	
32	M4236400304	BRACKET	1	
33	0016906015	HEX. HEAD BOLT	2	

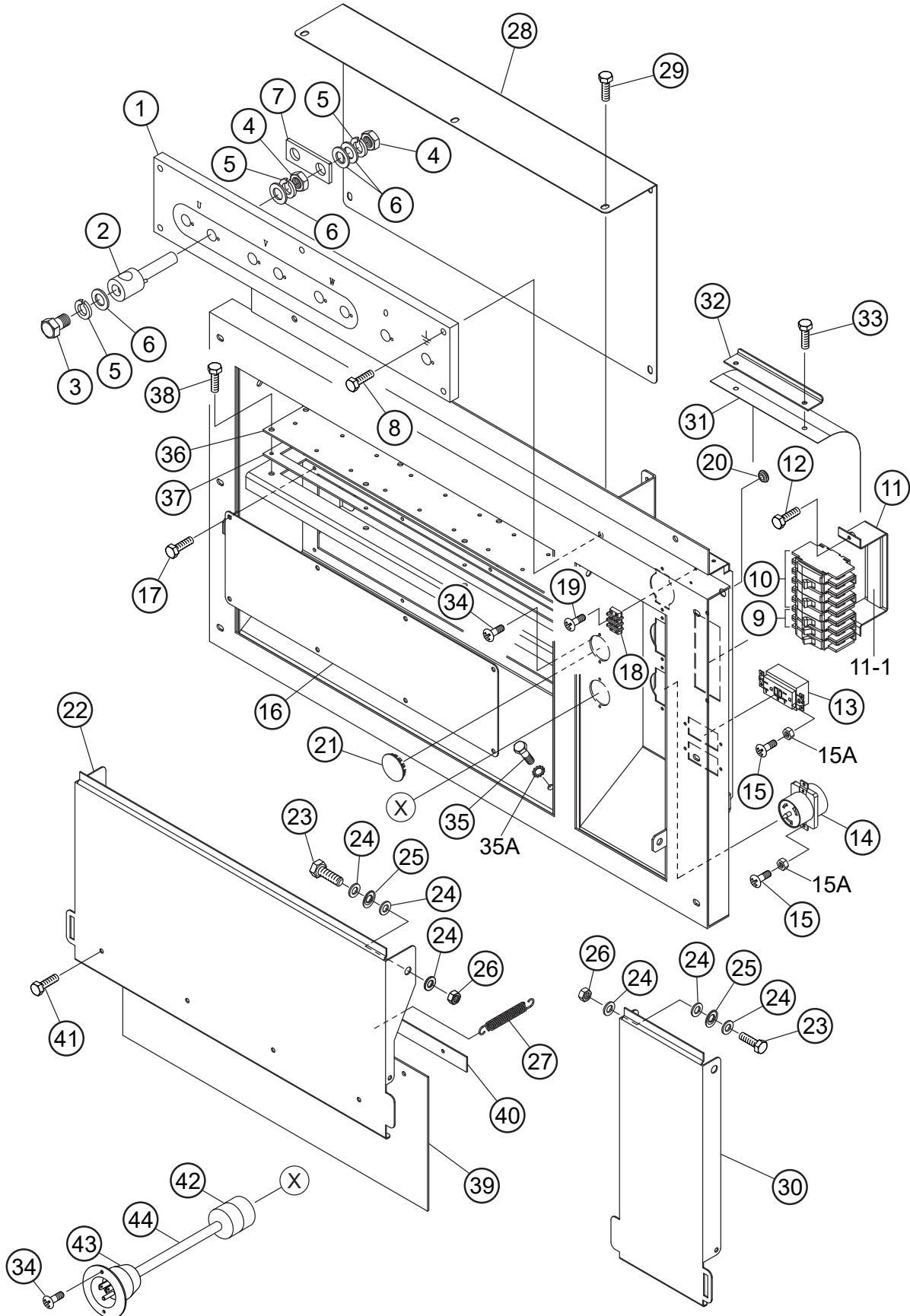
ADD THE FOLLOWING DIGITS AFTER THE PART NUMBER WHEN ORDERING ANY PAINTED PANEL TO INDICATE COLOR OF UNIT:

1-ORANGE	6-CATERPILLAR YELLOW
2-WHITE	7-CATO GOLD
3-SPECTRUM GREY	8-RED
4-SUNBELT GREEN	9-DESERT TAN
5-BLACK	

THE SERIAL NUMBER MAY BE REQUIRED.



# OUTPUT TERMINAL ASSY. (CONT'D.)



## OUTPUT TERMINAL ASSY. (CONT'D.)

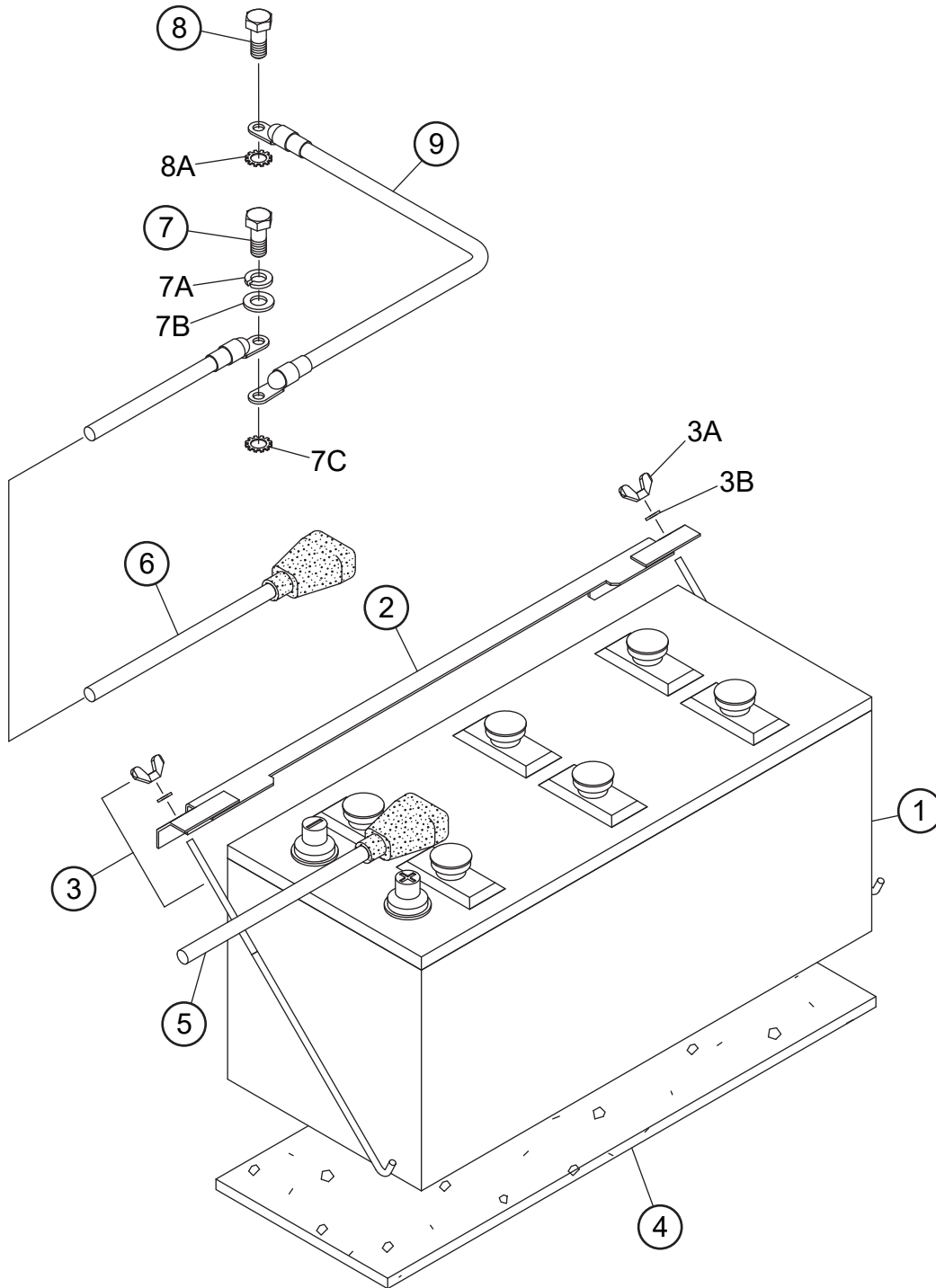
<u>NO.</u>	<u>PART NO.</u>	<u>PART NAME</u>	<u>QTY.</u>	<u>REMARKS</u>
34	0027104015	MACHINE SCREW	4	
35	0019210025	HEX. HEAD BOLT	1	
35A	0040510000	TOOTHED WASHER	1	
36	M5237100604	CABLE OUTLET COVER	1	
37	M5237300004	CABLE OUTLET COVER SUPPORTER	1	
38	011206020	HEX. HEAD BOLT.....	8.....	REPLACES P/N 0016906020
39	M5454700004	RUBBER SHEET	1	
40	M5454700104	RUBBER SHEET HOLDER	1	
41	011206020	HEX. HEAD BOLT.....	4.....	REPLACES P/N 0019206020
42	0601812527	CONNECTOR.....	1.....	S/N 9110128 AND ABOVE
43	HBL5278C	RECEPTACLE .....	1.....	REPLACES P/N Y0601811177 S/N 9110128 AND ABOVE
44	M5358200704	WIRE HARNESS, WATER HEATER.....	1.....	S/N 9110128 AND ABOVE

ADD THE FOLLOWING DIGITS AFTER THE PART NUMBER WHEN ORDERING ANY PAINTED PANEL TO INDICATE COLOR OF UNIT:

1-ORANGE	6-CATERPILLAR YELLOW
2-WHITE	7-CATO GOLD
3-SPECTRUM GREY	8-RED
4-SUNBELT GREEN	9-DESERT TAN
5-BLACK	

THE SERIAL NUMBER MAY BE REQUIRED.

# BATTERY ASSY.

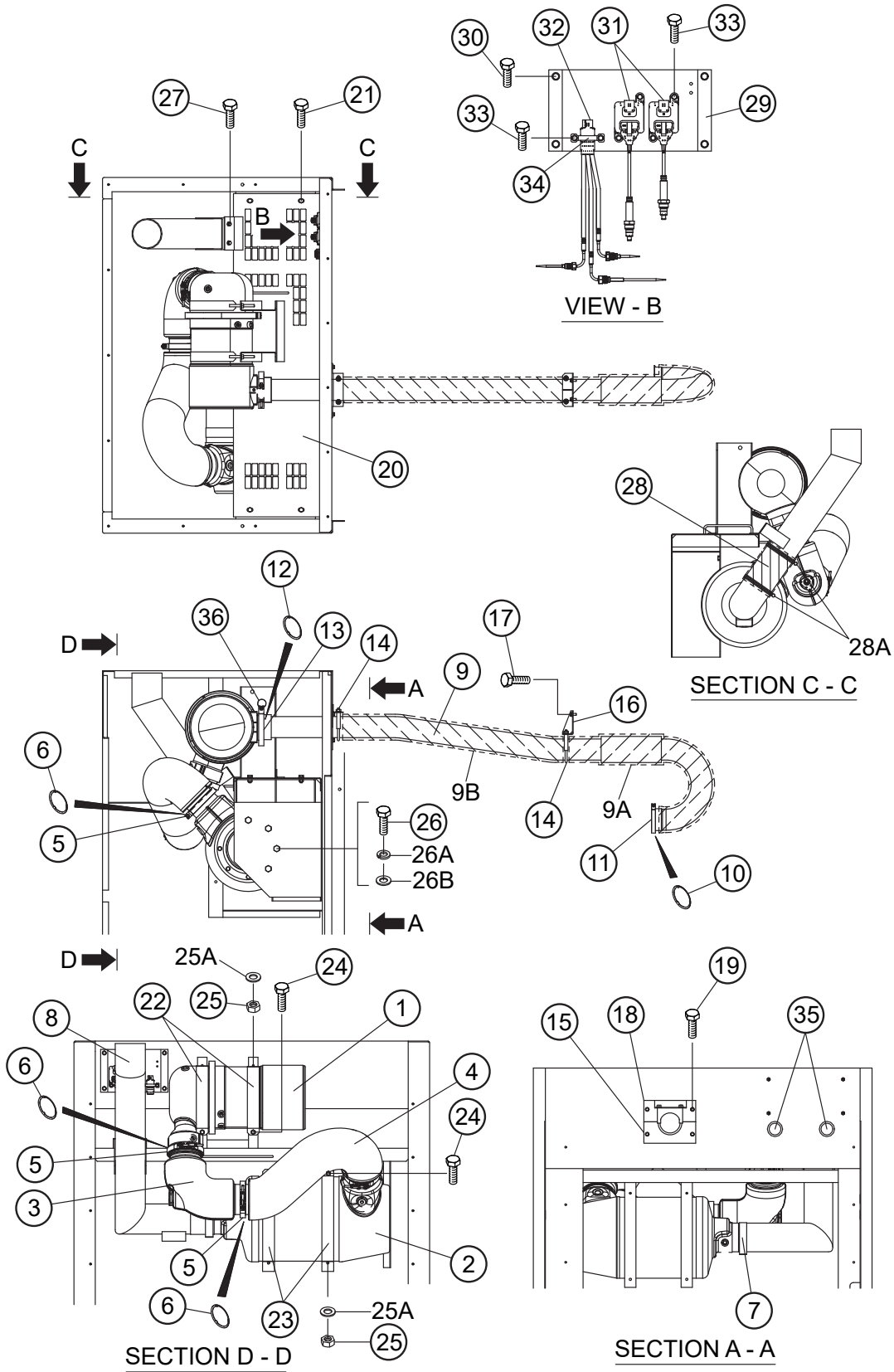


## BATTERY ASSY.

---

<u>NO.</u>	<u>PART NO.</u>	<u>PART NAME</u>	<u>QTY.</u>	<u>REMARKS</u>
1	Y0602220194	BATTERY	1	
2	M9103000504	BATTERY BAND	1	
3	0602220921	BATTERY BOLT SET, 1/4-12" .....	2.....	INCLUDES ITEMS W/#
3A#		WING NUT	2	
3B#		PLASTIC WASHER	2	
4	M9311500004	BATTERY SHEET	1	
5	M3346900704	BATTERY CABLE	1	
6	M5347900404	BATTERY CABLE	1	
7	Y0013616030	HEX. HEAD BOLT	1	
7A	0040016000	WASHER, LOCK	1	
7B	0041216000	WASHER, FLAT	1	
7C	0040516000	TOOTHED WASHER	1	
8	011208025	HEX. HEAD BOLT .....	1.....	REPLACES P/N 0016908025
8A	0040508000	TOOTHED WASHER	1	
9		EARTH CABLE	1	

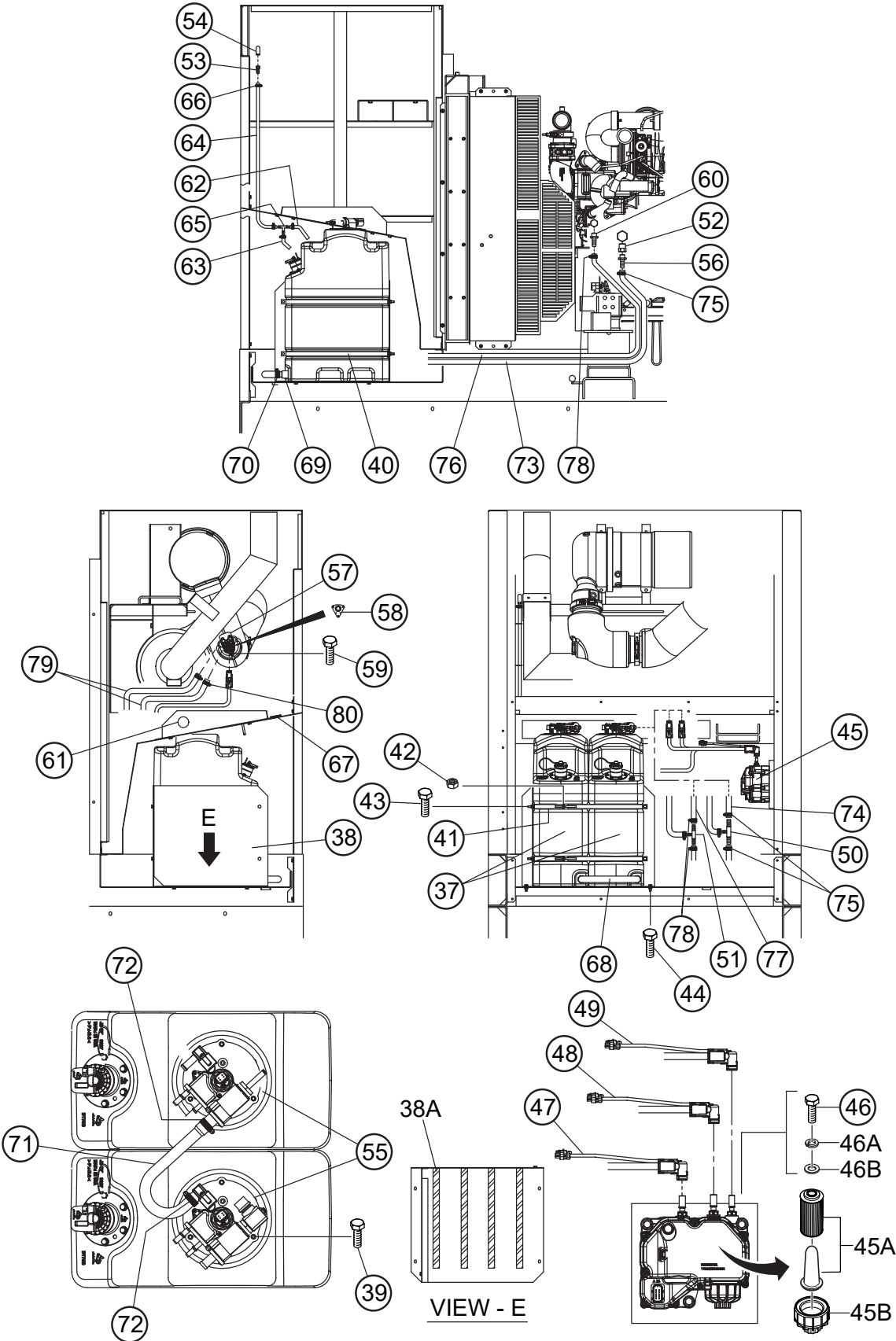
# MUFFLER 1 ASSY.



# MUFFLER 1 ASSY.

<u>NO.</u>	<u>PART NO.</u>	<u>PART NAME</u>	<u>QTY.</u>	<u>REMARKS</u>
1	DZ100501	DIESEL OXIDATION CATALYST	1	
2	DZ100467	SCR CATALYST	1	
3	RE565074	DECOMPOSITION TUBE	1	
4	RE559456	DECOMPOSITION EXTENSION TUBE	1	
5	RE540348	V-BAND CLAMP	3	
6	R529640	GASKET	3	
7	Y0602325026	PIPE BAND	1	
8	M5334100203	TAIL PIPE	1	
9	M5334000303	EXHAUST PIPE	1	
9A	Y0602311144	EXHAUST PIPE HEAT SHIELD	1	
9B	Y0602311145	EXHAUST PIPE HEAT SHIELD	1	
10	R529510	GASKET	1	
11	RE304965	V-BAND CLAMP	1	
12	R300529	SEAL RING	1	
13	RE298757	V-BAND CLAMP	1	
14	0602326061	U BOLT	2	
15	M5331401004	COVER, EXHAUST PIPE	1	
16	M5331400004	BRACKET, EXHAUST PIPE	1	
17	011008020	HEX. HEAD BOLT .....	2	REPLACES P/N 0016908020
18	M5331400504	BRACKET, EXHAUST PIPE	1	
19	011008020	HEX. HEAD BOLT .....	4	REPLACES P/N 0016908020
20	M5331200203	BRACKET, DOC + SCR	1	
21	0016910030	HEX. HEAD BOLT	4	
22	M5331401204	DOC BAND	2	
23	M5331401304	SCR BAND	2	
24	011008020	HEX. HEAD BOLT .....	4	REPLACES P/N 0016908020
25	Y0207008000	SELF-LOCKING NUT	4	
25A	0401450080	WASHER, FLAT	4	
26	Y0013616030	HEX. HEAD BOLT	4	
26A	0040016000	WASHER, LOCK	4	
26B	0041216000	WASHER, FLAT	4	
27	011008020	HEX. HEAD BOLT .....	2	REPLACES P/N 0016908020
28	Y0400002400	EXHAUST INSULATING WRAP .....	1	S/N 9110127 AND BELOW
28	Y0602311172	TAIL PIPE HEAT SHIELD .....	1	S/N 9110128 AND ABOVE
28A	0605515202	HOSE BAND .....	2	S/N 9110127 AND BELOW
29	M5331401404	BRACKET, SENSOR UNIT	1	
30	011008020	HEX. HEAD BOLT .....	4	REPLACES P/N 0016908020
31	RE575061	NOX SENSOR	2	
32	RE566739	TEMPERATURE SENSOR	1	
33	0016906015	HEX. HEAD BOLT, 6X16	6	
34	RE542006	STRAP, TEMPERATURE SENSOR	2	
35	0601851736	GROMMET .....	1	S/N 9110127 AND BELOW
35	0601851736	GROMMET .....	2	S/N 9110128 AND ABOVE
36	Y0601851730	GROMMET	1	

# MUFFLER 2 ASSY.

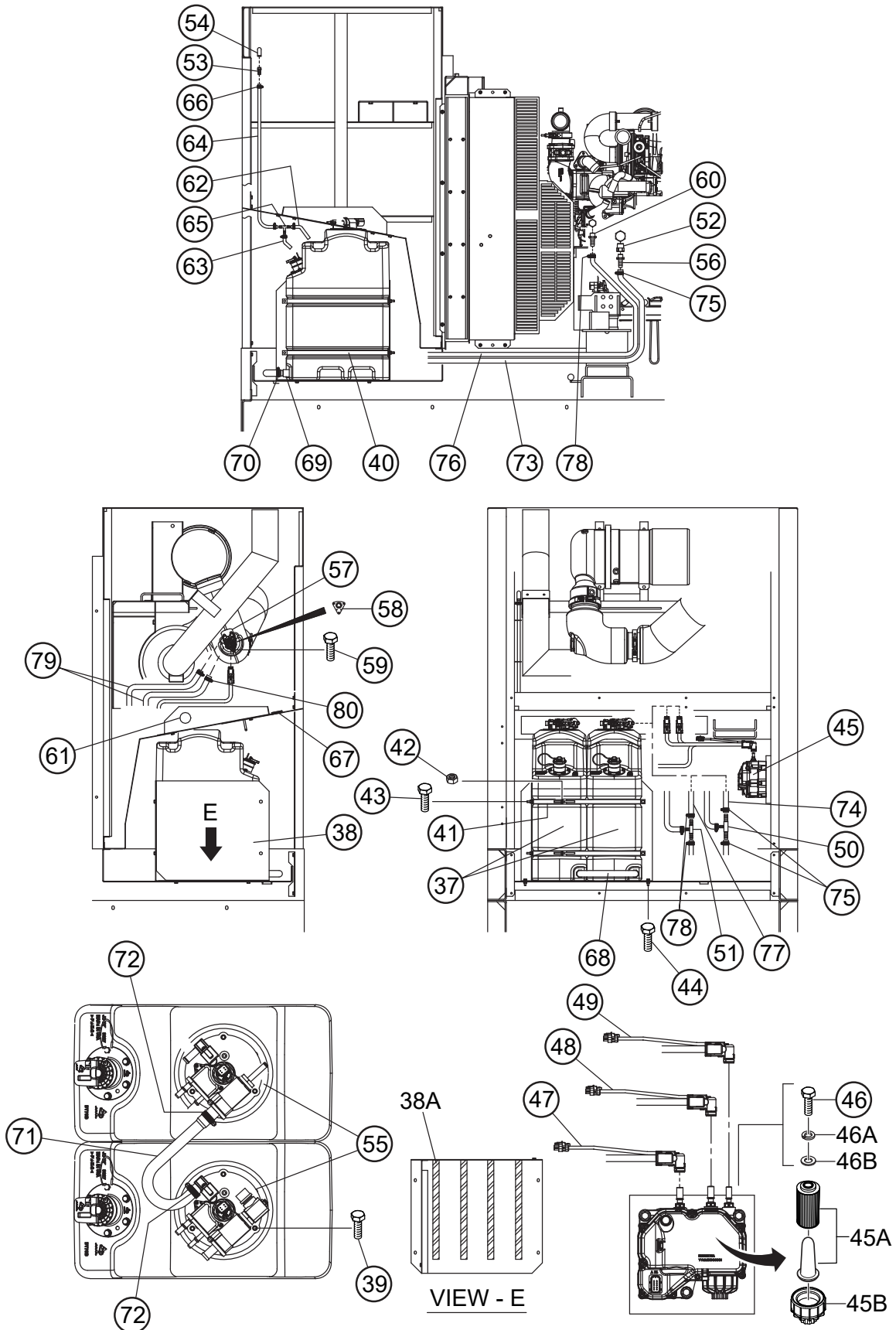


## MUFFLER 2 ASSY.

<u>NO.</u>	<u>PART NO.</u>	<u>PART NAME</u>	<u>QTY.</u>	<u>REMARKS</u>
37	DZ103067	DEF TANK	2	
38	M5331401603	BRACKET, DEF TANK	1	
38A	Y0222100480	SEAL RUBBER	4	
39	19M10399	HEX. HEAD BOLT.....	6.....	REPLACES P/N Y0602330420
40	M5331401704	DEF TANK BAND	2	
41	M5331402004	DEF TANK BAND	2	
42	Y0207008000	SELF-LOCKING NUT	2	
43	011208025	HEX. HEAD BOLT.....	4.....	REPLACES P/N 0016908025
44	011208025	HEX. HEAD BOLT.....	4.....	REPLACES P/N 0016908025
45	RE552175	DEF SUPPLY MODULE.....	1.....	REPLACES P/N 0602330400
45A	RE554498	FILTER KIT, DEF SUPPLY MODULE	1	
45B	RE555351	COVER KIT, DEF SUPPLY MODULE	1	
46	Y0013608090	HEX. HEAD BOLT	3	
46A	0040008000	WASHER, LOCK	3	
46B	0401450080	WASHER, FLAT.....	3.....	REPLACES P/N 0041208000
47	RE560902	DEF SUCTION LINE.....	1.....	REPLACES P/N 0602330411
48	RE560900	DEF BACKFLOW LINE.....	1.....	REPLACES P/N 0602330412
49	RE560897	DEF PRESSURE LINE.....	1.....	REPLACES P/N 0602330423
50	T317541	BLACK TEE-FITTING WITH ORIFICE.....	1.....	REPLACES P/N 0602022976
51	T296925	WHITE TEE-FITTING.....	1.....	REPLACES P/N 0602022977
52	R257950	BUSHING.....	1.....	REPLACES P/N 0602022590
53	H216170	DEF TANK VENT FITTING	1	
54	H216169	DEF TANK VENT FILTER	1	
55	DZ103804	DEF HEADER.....	2.....	REPLACES P/N 0602330422
56	AT377287	HOSE BARB	1	
57	RE560468	DEF DOSING MODULE.....	1.....	REPLACES P/N 0602330405
58	RE556879	GASKET.....	1.....	REPLACES P/N 0602330406
59	R537624	HEX. HEAD BOLT.....	3.....	REPLACES P/N 0602330407
60	RE321504	HOSE BARB	1	
61	Y0411100170	EDGE TRIM	1	
62	Y0191300720	VENT HOSE	1	
63	Y0191300290	VENT HOSE	1	
64	Y0191300890	VENT HOSE	1	
65	Y0603306677	TEE-FITTING	1	
66	Y0605515340	HOSE BAND	6	
67	0601851756	GROMMET	1	
68	M5331401804	DEF TANK HOSE	1	
69	Y0602022528	HOSE ADAPTER	2	
70	0605515198	HOSE BAND	2	
71	M3331402604	DEF TANK HOSE	1	
72	0605515198	HOSE BAND	2	
73	Y0269302780	COOLANT HOSE	1	
74	Y0269300350	COOLANT HOSE	1	
75	0605515198	HOSE BAND	4	



# MUFFLER 2 ASSY. (CONT'D.)

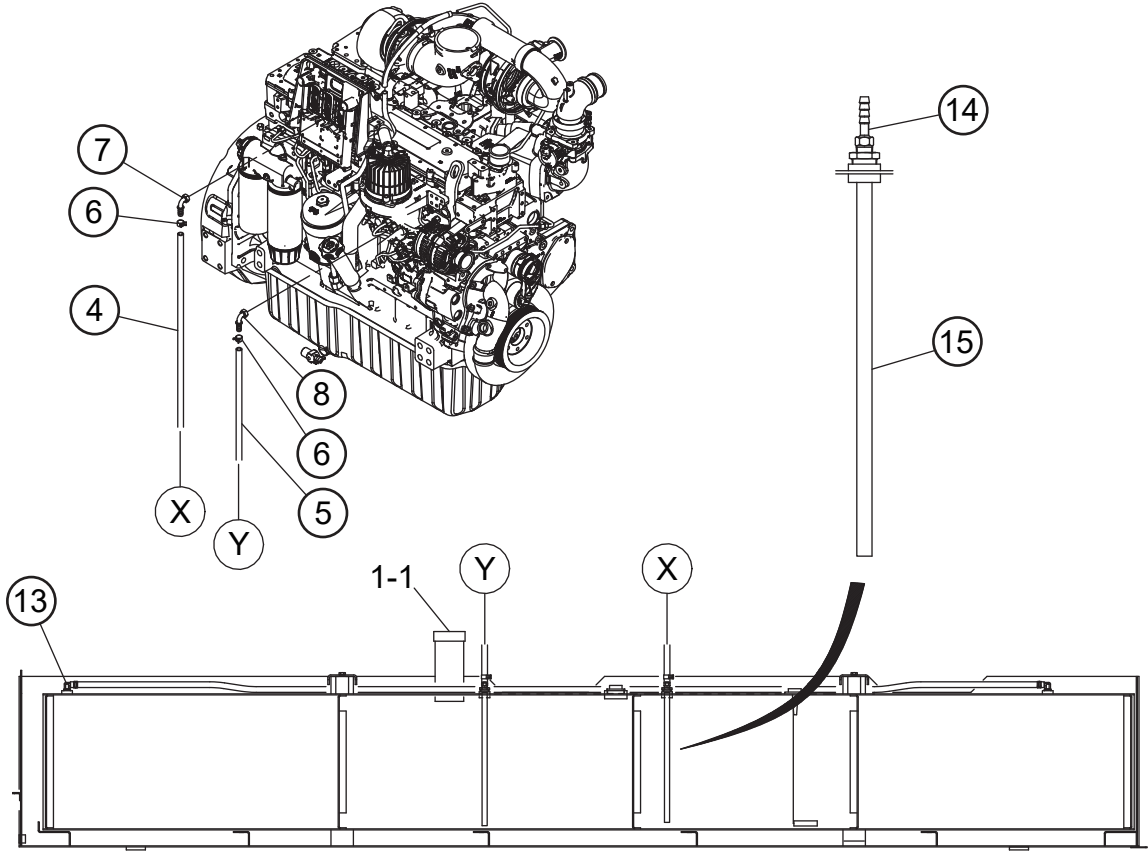
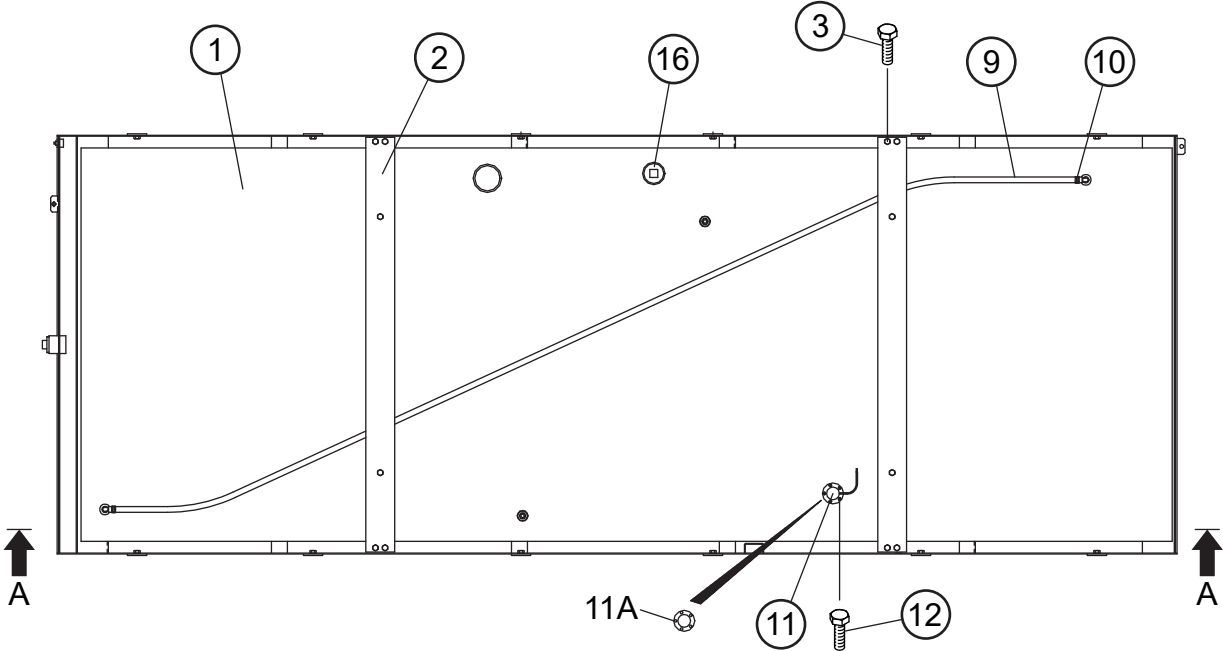


## MUFFLER 2 ASSY. (CONT'D.)

---

<u>NO.</u>	<u>PART NO.</u>	<u>PART NAME</u>	<u>QTY.</u>	<u>REMARKS</u>
76	Y0379702850	COOLANT HOSE	1	
77	Y0379700600	COOLANT HOSE	1	
78	0605515198	HOSE BAND	4	
79	Y0379602000	COOLANT HOSE	2	
80	Y0605515340	HOSE BAND	4	

# FUEL TANK ASSY.



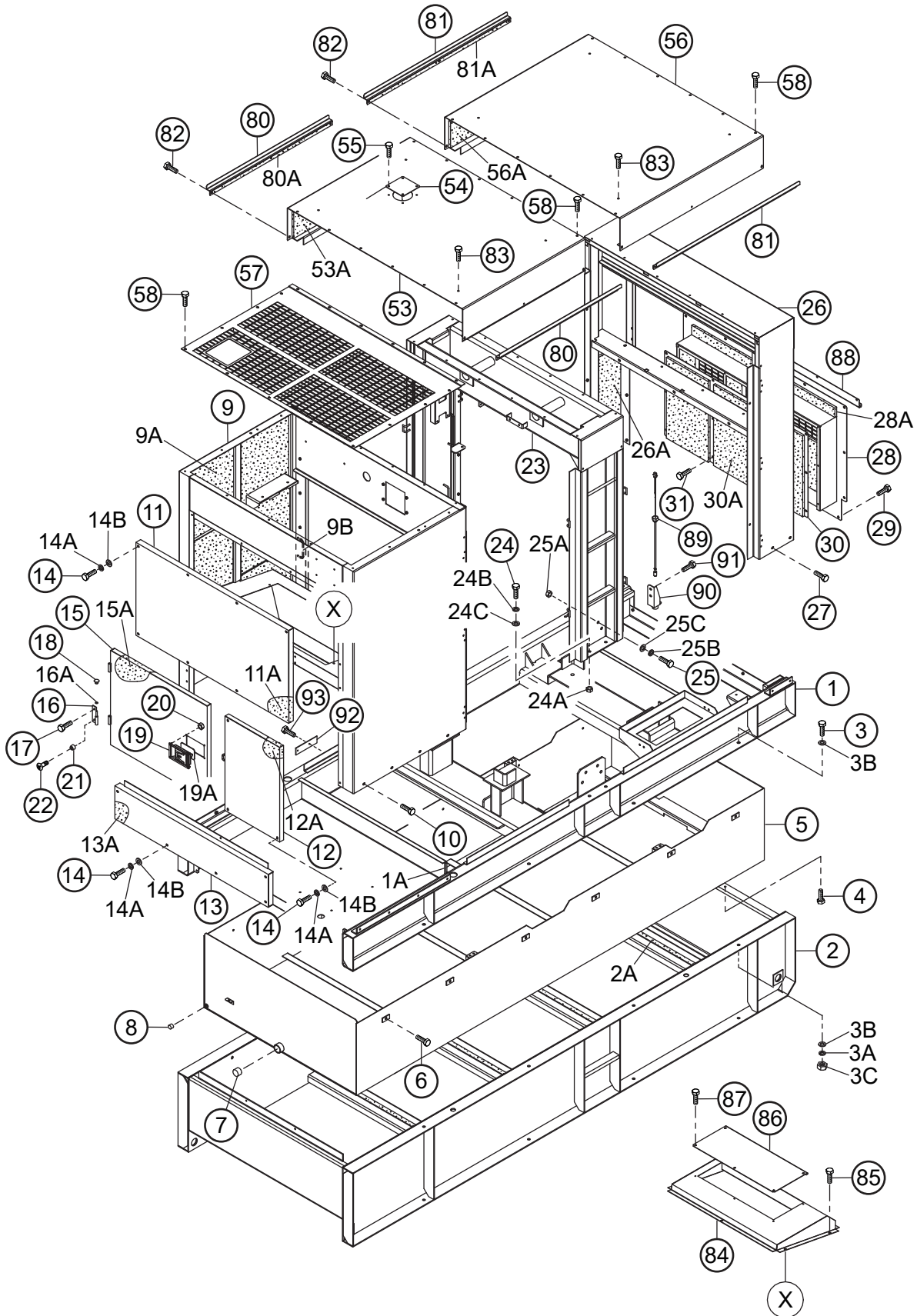
SECTION A - A

## FUEL TANK ASSY.

---

<u>NO.</u>	<u>PART NO.</u>	<u>PART NAME</u>	<u>QTY.</u>	<u>REMARKS</u>
1	M5364000213	FUEL TANK	1	
1-1	0605505072	FUEL TANK CAP	1	
2	M5364300114	BRACKET, FUEL TANK	2	
3	0016910030	HEX. HEAD BOLT	12	
4	Y0191400940	SUCTION HOSE	1	
5	0191402500	RETURN HOSE	1	
6	Y0605515341	HOSE BAND	4	
7	AT421541	HOSE JOINT	1	
8	R505357	HOSE JOINT	1	
9	Y0191303850	VENT HOSE	1	
10	Y0605515340	HOSE BAND	2	
11	Y0605501049	FUEL SENDER UNIT	1	
11A	Y0605516090	GASKET	1	
12	Y0605053021	HEX. HEAD BOLT	5	
13	0602022791	HOSE JOINT, 1/2"	2	
14	Y0602022972	HOSE JOINT, 3/8"	2	
15	M5364400014	PICK-UP TUBE	2	
16	Y0603306729	SQUARE HEAD PIPE PLUG	1	

# ENCLOSURE 1 ASSY.



# ENCLOSURE 1 ASSY.

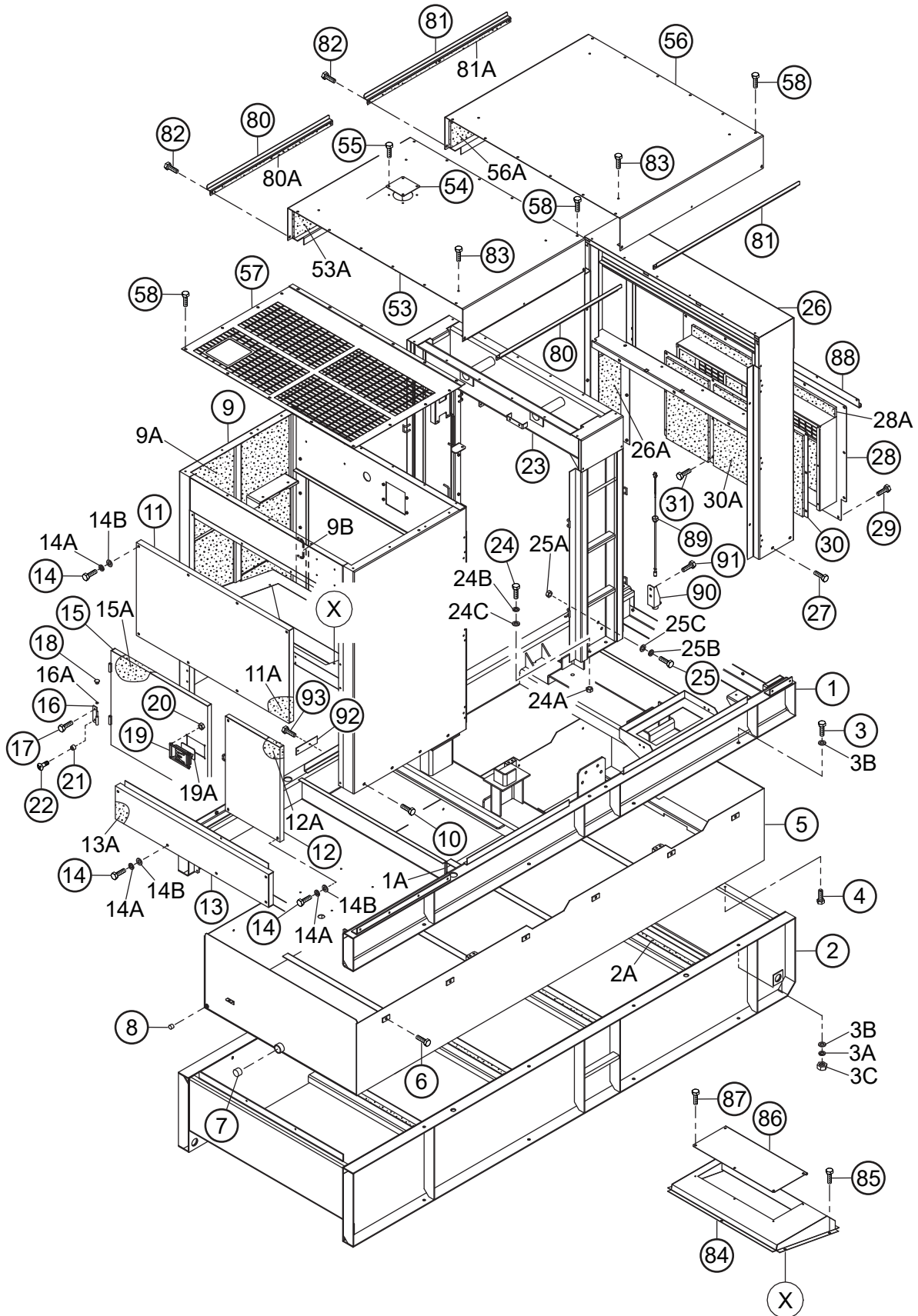
<u>NO.</u>	<u>PART NO.</u>	<u>PART NAME</u>	<u>QTY.</u>	<u>REMARKS</u>
1	M5414000502	BASE	1	
1A	Y0411200150	EDGE TRIM	1	
2	M5414000602	BASE	1	
2A	Y0222101280	SEAL RUBBER	5	
3	0013616040	HEX. HEAD BOLT	8	
3A	0040016000	WASHER, LOCK	8	
3B	0041216000	WASHER, FLAT	16	
3C	0030016000	HEX. HEAD NUT	8	
4	011208025	HEX. HEAD BOLT.....	2.....	REPLACES P/N 0016908025
5	M5364300012	ENVIRONMENTAL TANK	1	
6	0016910030	HEX. HEAD BOLT	12	
7	0603306797	SQUARE HEAD PIPE PLUG, 1-1/2"	1	
8	Y0603306793	SQUARE HEAD PIPE PLUG, 1/2"	1	
9	M5424000912	FRONT FRAME	1	
9A	M5494105803	ACOUSTIC SHEET	1	
9B	Y0411100220	SEAL, RUBBER	1	
10	0019210025	HEX. HEAD BOLT	8	
11	M5424100003	PANEL, FRONT FRAME	1	
11A	M5494107104	ACOUSTIC SHEET	1	
12	M5424100103	PANEL, FRONT FRAME	1	
12A	M5494107204	ACOUSTIC SHEET	1	
13	M5424100203	PANEL, FRONT FRAME	1	
13A	M5494107304	ACOUSTIC SHEET	1	
14	0019108055	HEX. HEAD BOLT	18	
14A	0042308000	WASHER, LOCK	18	
14B	0401450080	WASHER, FLAT.....	18.....	REPLACES P/N 0042408000
15	M5424202403	DOOR, FRONT FRAME	1	
15A	M5494107404	ACOUSTIC SHEET	1	
16	M9110100204	HINGE	2	
16A	M9116100004	WASHER	2	
17	0019208020	HEX. HEAD BOLT	3	
18	0845031504	CAP.....	2.....	REPLACES P/N M931000004
19	0605012309	DOOR HANDLE	1	
19A	C9312500004	SEAL RUBBER	1	
20	0176060030	HEX. NUT.....	4.....	REPLACES P/N 0207006000
21	0601850097	STOPPER	1	
22	0027208025	MACHINE SCREW	1	

ADD THE FOLLOWING DIGITS AFTER THE PART NUMBER WHEN ORDERING ANY PAINTED PANEL TO INDICATE COLOR OF UNIT:

1-ORANGE	6-CATERPILLAR YELLOW
2-WHITE	7-CATO GOLD
3-SPECTRUM GREY	8-RED
4-SUNBELT GREEN	9-DESERT TAN
5-BLACK	

THE SERIAL NUMBER MAY BE REQUIRED.

# ENCLOSURE 1 ASSY. (CONT'D.)



## ENCLOSURE 1 ASSY. (CONT'D.)

<u>NO.</u>	<u>PART NO.</u>	<u>PART NAME</u>	<u>QTY.</u>	<u>REMARKS</u>
23	M5434000502	CENTER FRAME	1	
24	Y0013614050	HEX. HEAD BOLT	4	
24A	515455840	HEX. NUT .....	4	REPLACES P/N 0030014000
24B	030214350	WASHER, LOCK.....	4	REPLACES P/N 0040014000
24C	031114260	WASHER, FLAT .....	8	REPLACES P/N 0041214000
25	Y0013614040	HEX. HEAD BOLT	8	
25A	515455840	HEX. NUT .....	8	REPLACES P/N 0030014000
25B	030214350	WASHER, LOCK.....	8	REPLACES P/N 0040014000
25C	031114260	WASHER, FLAT .....	16	REPLACES P/N 0041214000
26	M5444000102	REAR FRAME	1	
26A	M5493300904	ACOUSTIC SHEET	2	
27	0019210025	HEX. HEAD BOLT	4	
28	M5444300003	COVER, REAR FRAME	1	
28A	M5494301004	ACOUSTIC SHEET	1	
29	0019208020	HEX. HEAD BOLT	14	
30	M5444300104	BACK PLATE, REAR FRAME COVER	1	
30A	M5494301104	ACOUSTIC SHEET	3	
31	011008020	HEX. HEAD BOLT .....	12	REPLACES P/N 0016908020
53	M5464100502	ROOF PANEL	1	
53A	M5494503604	ACOUSTIC SHEET	1	
54	M3310600004	COVER	1	
55	0019208020	HEX. HEAD BOLT	4	
56	M5464200302	ROOF PANEL	1	
56A	M5494503704	ACOUSTIC SHEET	1	
57	M5424201903	OVER COVER, FRONT FRAME	1	
58	Y0019208020	HEX. HEAD BOLT	35	
80	M5464500404	GUTTER	2	
80A	Y0229201050	SEAL, RUBBER	2	
81	M5464500504	GUTTER	2	
81A	0229201230	SEAL, RUBBER	2	
82	0019208020	HEX. HEAD BOLT	12	
83	0019210025	HEX. HEAD BOLT	8	
84	M5424700213	DEF TANK COVER	1	
85	011008020	HEX. HEAD BOLT .....	6	REPLACES P/N 0016908020
86	M5424700314	DEF TANK COVER	1	
87	011206020	HEX. HEAD BOLT .....	5	REPLACES P/N 0016906020
88	M5464500604	GUTTER	1	

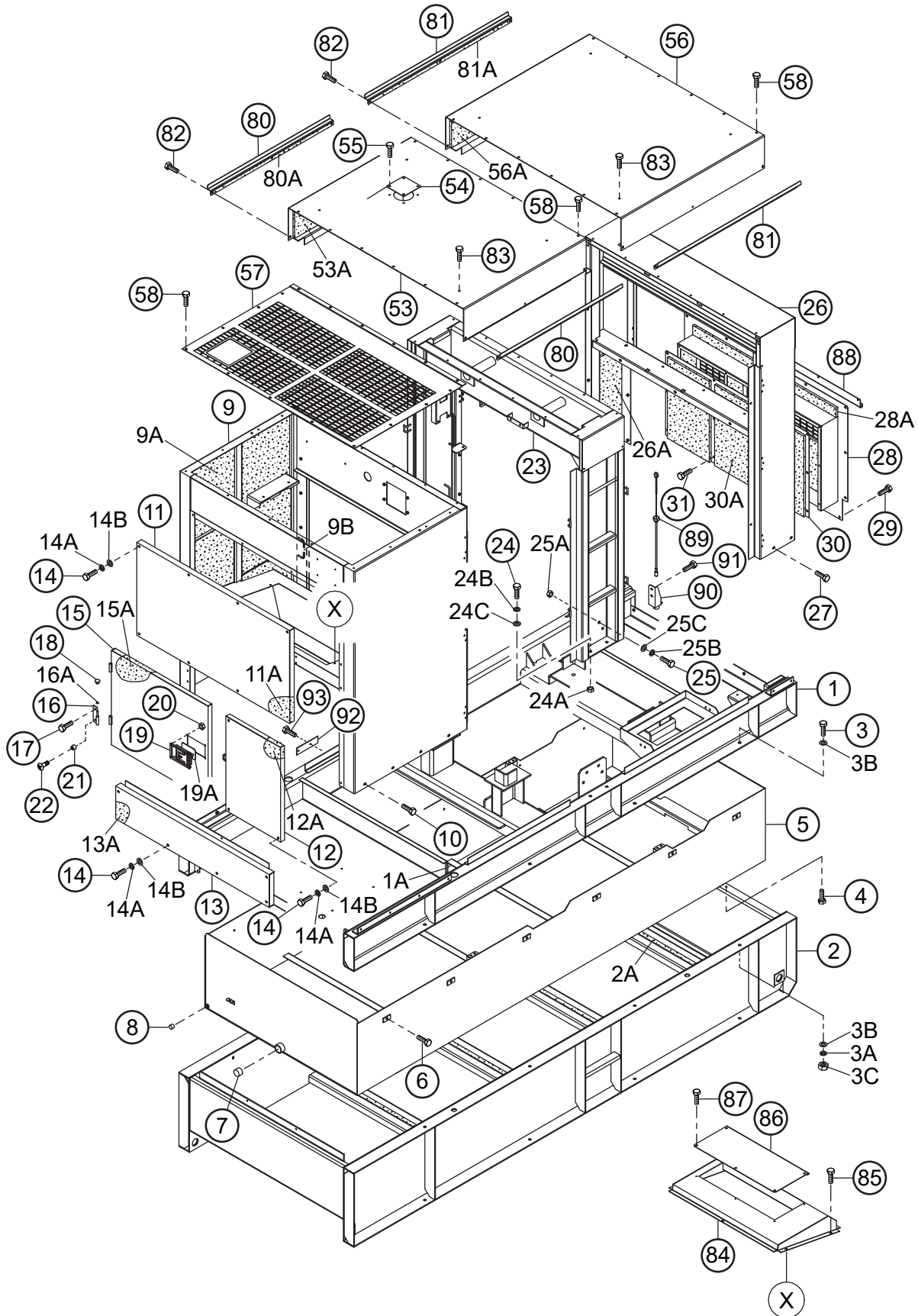
ADD THE FOLLOWING DIGITS AFTER THE PART NUMBER WHEN ORDERING ANY PAINTED PANEL TO INDICATE COLOR OF UNIT:

1-ORANGE	6-CATERPILLAR YELLOW
2-WHITE	7-CATO GOLD
3-SPECTRUM GREY	8-RED
4-SUNBELT GREEN	9-DESERT TAN
5-BLACK	

THE SERIAL NUMBER MAY BE REQUIRED.



# ENCLOSURE 1 ASSY. (CONT'D.)



## ENCLOSURE 1 ASSY. (CONT'D.)

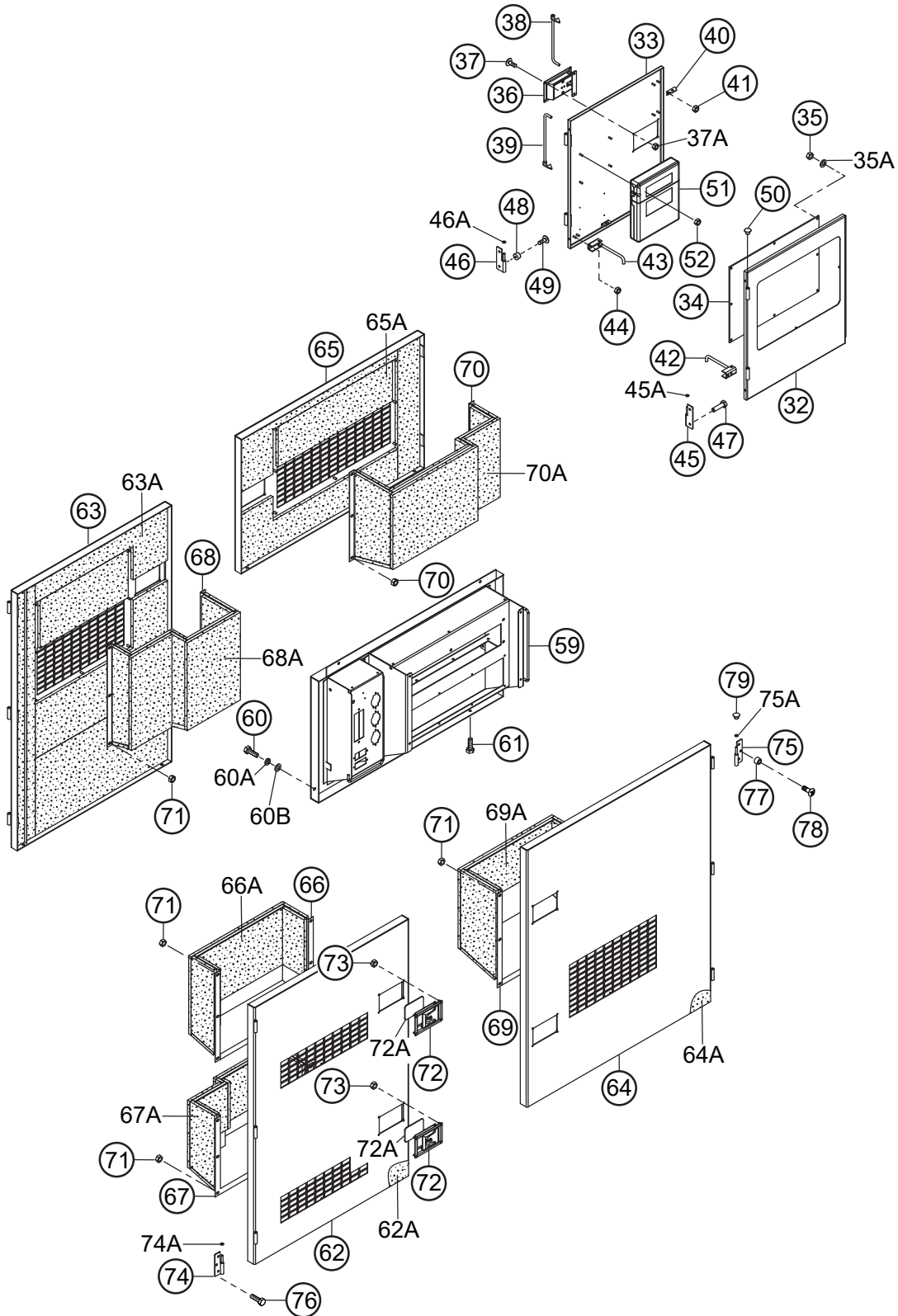
<u>NO.</u>	<u>PART NO.</u>	<u>PART NAME</u>	<u>QTY.</u>	<u>REMARKS</u>
89	0605503062	FLOAT SWITCH	1	
90	M5414800004	BRACKET	1	
91	011008020	HEX. HEAD BOLT.....	2.....	REPLACES P/N 0016908020
92	M2414800304	HOLE COVER.....	1.....	S/N 9110107 AND ABOVE
93	011008020	HEX. HEAD BOLT.....	2.....	REPLACES P/N 0016908020 S/N 9110107 AND ABOVE

ADD THE FOLLOWING DIGITS AFTER THE PART NUMBER WHEN ORDERING ANY PAINTED PANEL TO INDICATE COLOR OF UNIT:

1-ORANGE	6-CATERPILLAR YELLOW
2-WHITE	7-CATO GOLD
3-SPECTRUM GREY	8-RED
4-SUNBELT GREEN	9-DESERT TAN
5-BLACK	

THE SERIAL NUMBER MAY BE REQUIRED.

# ENCLOSURE 2 ASSY.



## ENCLOSURE 2 ASSY.

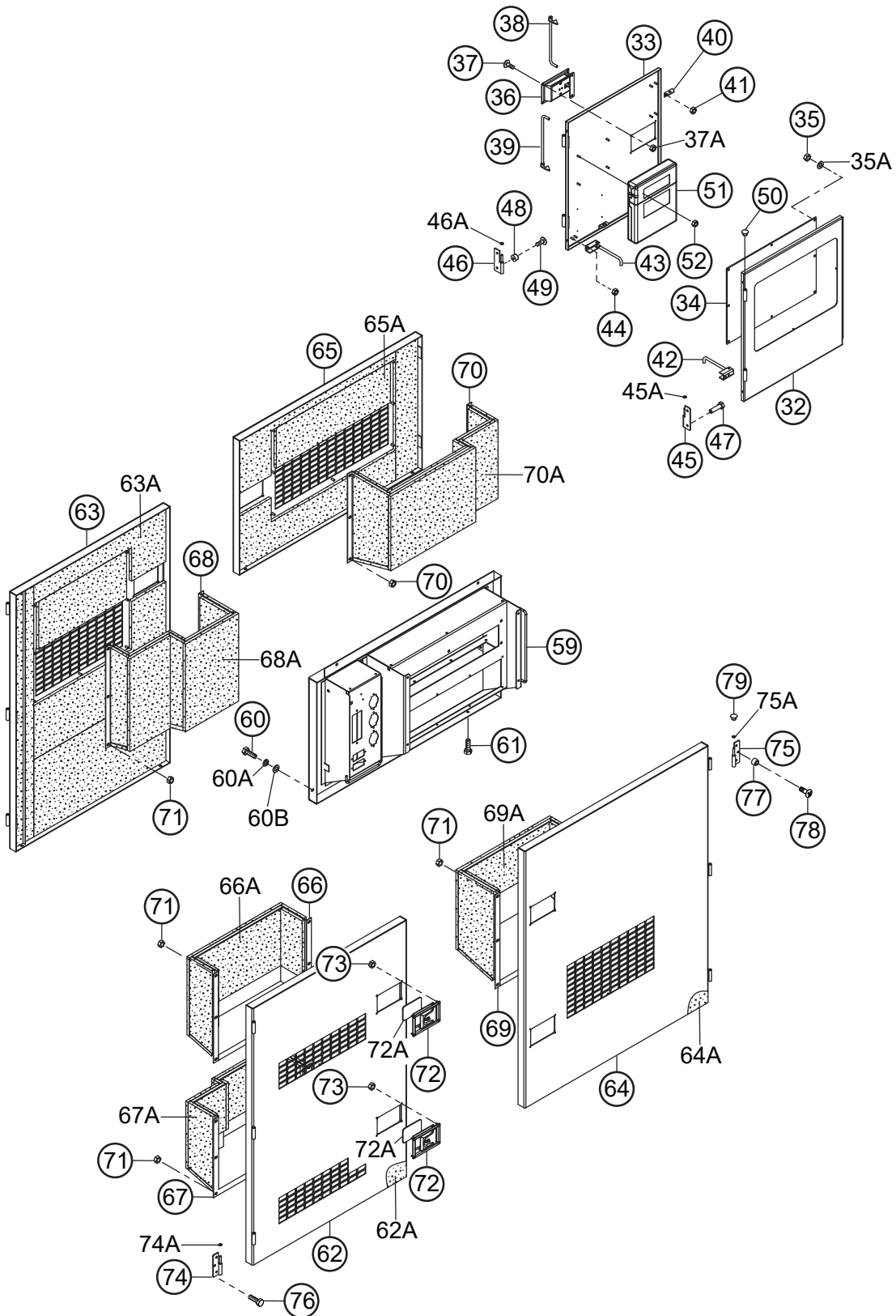
<u>NO.</u>	<u>PART NO.</u>	<u>PART NAME</u>	<u>QTY.</u>	<u>REMARKS</u>
32	M5443200203	DOOR, REAR FRAME	1	
33	M5453000903	DOOR, REAR FRAME.....	1.....	REPLACES P/N M5453000103
34	M4443600004	WINDOW PLATE	1	
35	020106050	U-NUT.....	8.....	REPLACES P/N 0037906000
35A	952404470	WASHER, FLAT.....	8.....	REPLACES P/N 0041206000
36	B9114000102	DOOR HANDLE.....	1.....	REPLACES P/N M9113000202
37	0021806015	MACHINE SCREW	4	
37A	020106050	HEX. NUT.....	4.....	REPLACES P/N 0030006000
38	C3444700004	DOOR ROD.....	1.....	REPLACES P/N M9114300004
39	819514304	DOOR ROD.....	1.....	REPLACES P/N M9114300104
40	M9113300004	STAY	4	
41	0176060030	SELF-LOCKING NUT.....	8.....	REPLACES P/N 0207006000
42	M9113400104	STOPPER, DOOR	1	
43	M9113400204	STOPPER, DOOR	1	
44	0176060030	SELF-LOCKING NUT.....	4.....	REPLACES P/N 0207006000
45	M9110100204	HINGE	2	
45A	M9116100004	WASHER	2	
46	M9110100304	HINGE	2	
46A	M9116100004	WASHER	2	
47	0019208020	HEX. HEAD BOLT	6	
48	0601850097	STOPPER	2	
49	0027208025	MACHINE SCREW	2	
50	0845031504	BLIND PLUG.....	4.....	REPLACES P/N M9310000004
51	0600800320	MANUAL PAK	1	
52	0176060030	SELF-LOCKING NUT.....	4.....	REPLACES P/N 0207006000
59	M5454200402	SPLASHER PANEL	1	
60	0019108065	HEX. HEAD BOLT	6	
60A	0042308000	WASHER, LOCK	6	
60B	0401450080	WASHER, FLAT.....	6.....	REPLACES P/N 0042408000
61	0016910025	HEX. HEAD BOLT	1	
62	M5454001103	SIDE DOOR	1	
62A	M5494413804	ACOUSTIC SHEET	1	
63	M5454001203	SIDE DOOR	1	
63A	M5494413904	ACOUSTIC SHEET	1	
64	M5454001303	SIDE DOOR	1	
64A	M5494414004	ACOUSTIC SHEET	1	

ADD THE FOLLOWING DIGITS AFTER THE PART NUMBER WHEN ORDERING ANY PAINTED PANEL TO INDICATE COLOR OF UNIT:

1-ORANGE	6-CATERPILLAR YELLOW
2-WHITE	7-CATO GOLD
3-SPECTRUM GREY	8-RED
4-SUNBELT GREEN	9-DESERT TAN
5-BLACK	

THE SERIAL NUMBER MAY BE REQUIRED.

# ENCLOSURE 2 ASSY. (CONT'D.)



## ENCLOSURE 2 ASSY. (CONT'D.)

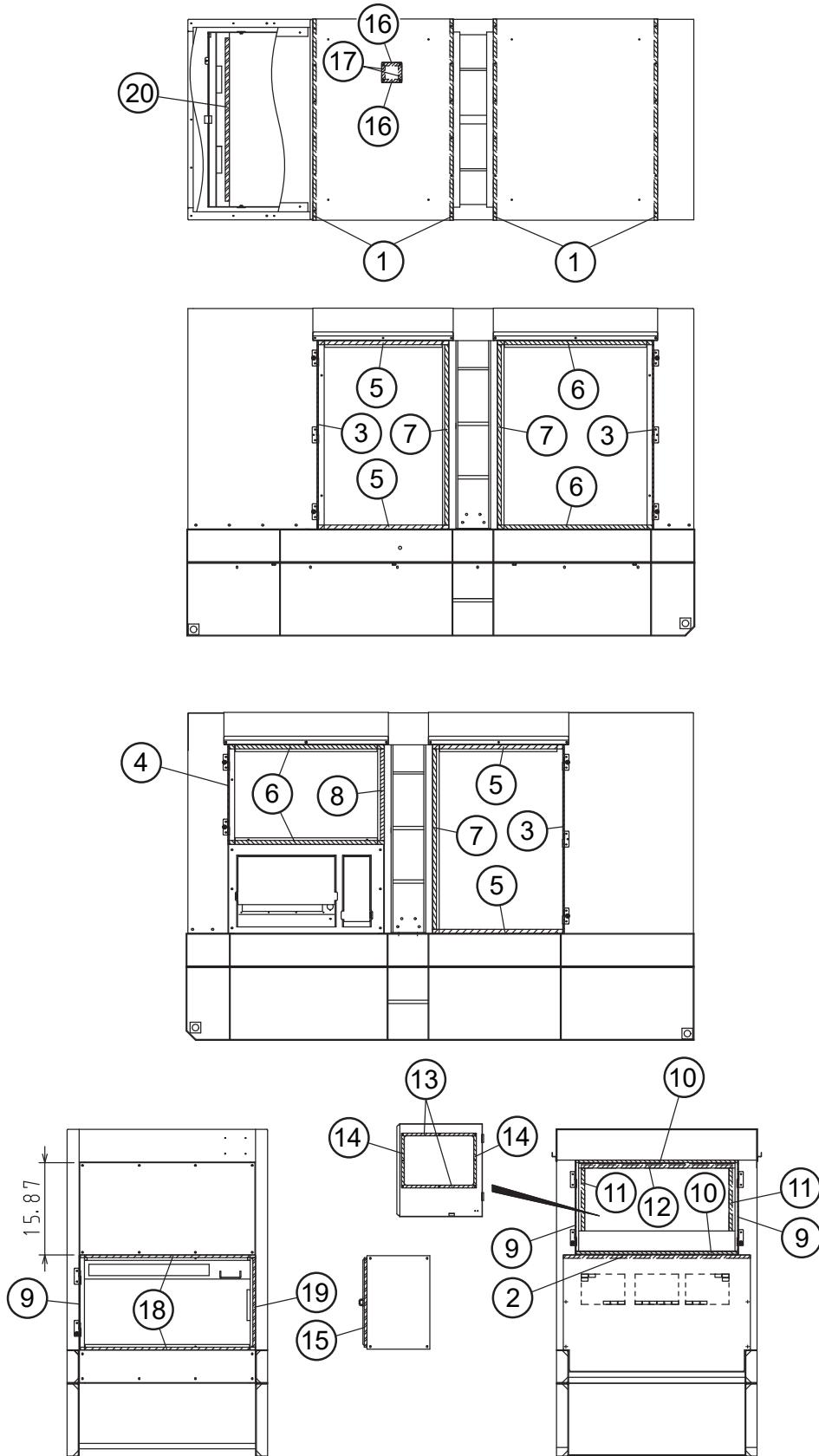
NO.	PART NO.	PART NAME	QTY.	REMARKS
65	M5454001413	SIDE DOOR	1	
65A	M5494414104	ACOUSTIC SHEET	1	
66	M5454300404	DUCT	1	
66A	M5494406004	ACOUSTIC SHEET	1	
67	M5454300504	DUCT	1	
67A	M5494406104	ACOUSTIC SHEET	1	
68	M5454301304	DUCT	1	
68A	M5494417504	ACOUSTIC SHEET	1	
69	M5454301104	DUCT	1	
69A	M5494414204	ACOUSTIC SHEET	1	
70	M5454301204	DUCT	1	
70A	M5494414304	ACOUSTIC SHEET	1	
71	020108060	SELF-LOCKING NUT .....	35	REPLACES P/N 0207008000
72	0605012309	DOOR HANDLE	7	
72A	C9312500004	SEAL RUBBER	7	
73	0176060030	SELF-LOCKING NUT .....	28	REPLACES P/N 0207006000
74	0845046904	HINGE.....	5	REPLACES P/N M9110100804
74A	M9116100004	WASHER	5	
75	0845047004	HINGE.....	6	REPLACES P/N M9110100904
75A	M9116100004	WASHER	6	
76	0019208020	HEX. HEAD BOLT	25	
77	0601850097	STOPPER	8	
78	0027208025	MACHINE SCREW	8	
79	0845031504	BLIND PLUG.....	11	REPLACES P/N M9310000004

ADD THE FOLLOWING DIGITS AFTER THE PART NUMBER WHEN ORDERING ANY PAINTED PANEL TO INDICATE COLOR OF UNIT:

- |                 |                      |
|-----------------|----------------------|
| 1-ORANGE        | 6-CATERPILLAR YELLOW |
| 2-WHITE         | 7-CATO GOLD          |
| 3-SPECTRUM GREY | 8-RED                |
| 4-SUNBELT GREEN | 9-DESERT TAN         |
| 5-BLACK         |                      |

THE SERIAL NUMBER MAY BE REQUIRED.

# RUBBER SEALS ASSY.



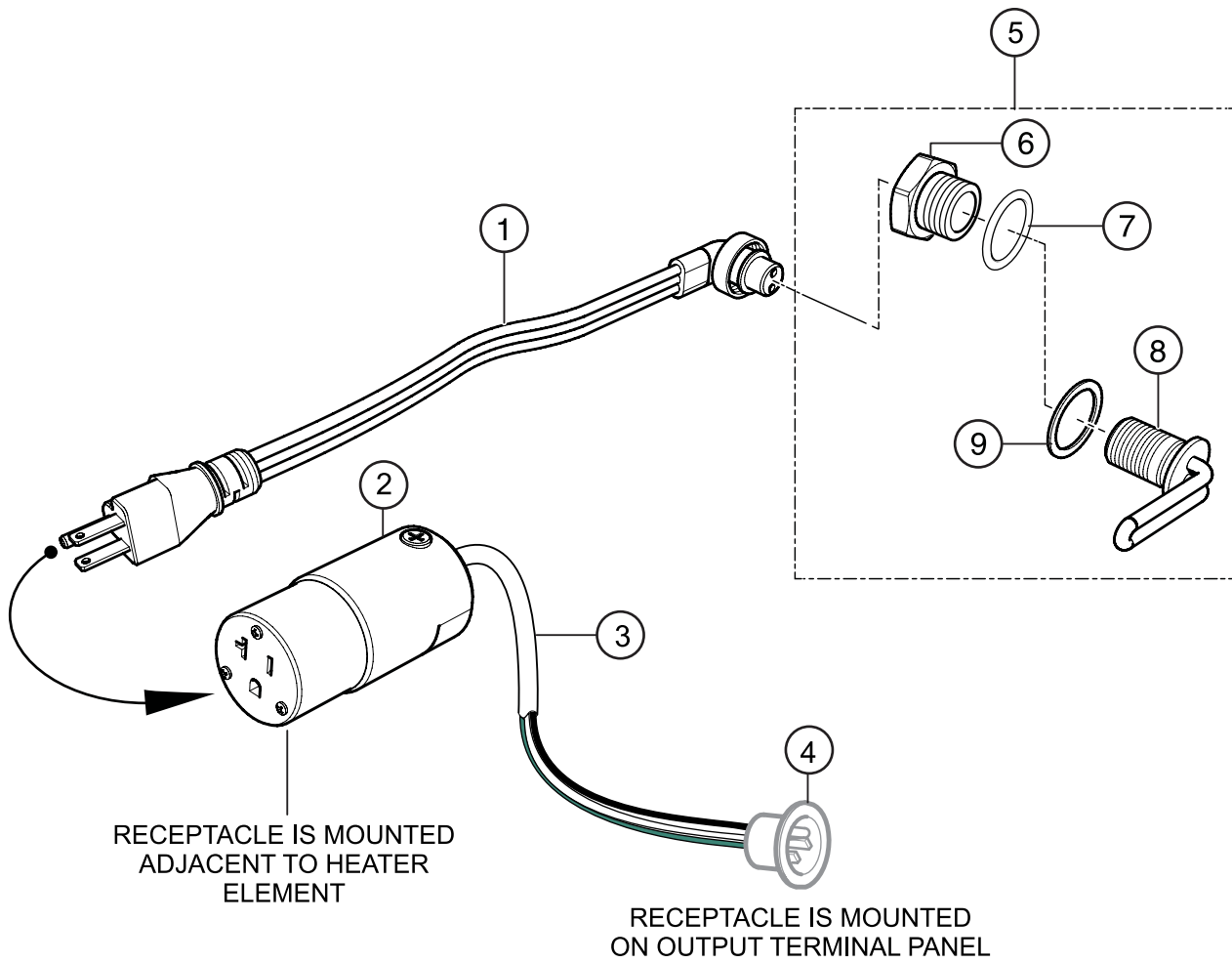
## RUBBER SEALS ASSY.

---

<u>NO.</u>	<u>PART NO.</u>	<u>PART NAME</u>	<u>QTY.</u>	<u>REMARKS</u>
1	0229201500	SEAL, RUBBER	4	
2	0229201400	SEAL, RUBBER	1	
3	0228901410	SEAL, RUBBER	3	
4	0228900745	SEAL, RUBBER	1	
5	Y0228900975	SEAL, RUBBER	4	
6	Y0228901160	SEAL, RUBBER	4	
7	0228901350	SEAL, RUBBER	3	
8	Y0228900685	SEAL, RUBBER	1	
9	Y0229400705	SEAL, RUBBER	3	
10	0228801210	SEAL, RUBBER	2	
11	0229200470	SEAL, RUBBER	2	
12	0229201130	SEAL, RUBBER	1	
13	0228100560	SEAL, RUBBER	2	
14	0228100370	SEAL, RUBBER	2	
15	Y0229400665	SEAL, RUBBER	1	
16	Y0229200145	SEAL, RUBBER	2	
17	Y0229200100	SEAL, RUBBER	2	
18	0228801310	SEAL, RUBBER	2	
19	0228800670	SEAL, RUBBER	1	
20	Y0222101220	SEAL, RUBBER	6	



# WATER HEATING ELEMENT ASSY. (OPTION)

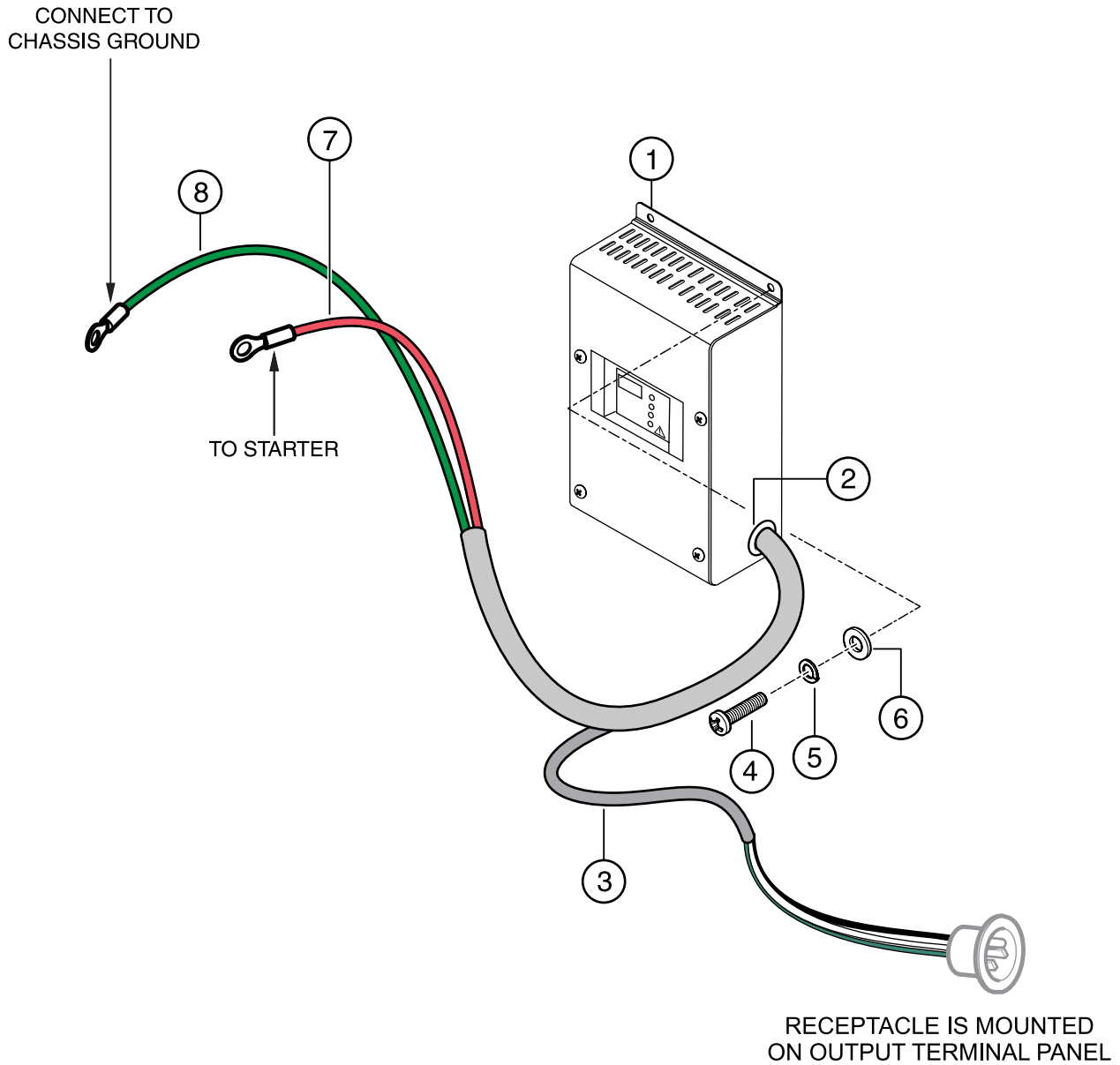


## **WATER HEATING ELEMENT ASSY. (OPTION)**

---

<u>NO.</u>	<u>PART NO.</u>	<u>PART NAME</u>	<u>QTY.</u>	<u>REMARKS</u>
1	AR50411	CORD ASSY., 110 VOLTS	1	
2	HBL5369C	CONNECTOR, 20 AMP, 125V	1	
3	EE56557	CORD, CAROL 3/C 14 AWG .....	10.....	1PC=1FT
4	HBL5278C	INLET FLANGE RECEPTACLE, 15AMP, 125V	1	
5	EE54798	COOLANT HEATER KIT, 110 VOLT.....	1.....	INCLUDES ITEMS W/\$
6\$	R54123	ADAPTER	1	
7\$	U13639	O-RING	1	
8\$	RE42139	HEATER ELEMENT, 1000 WATT	1	
9\$	R206883	GASKET	1	

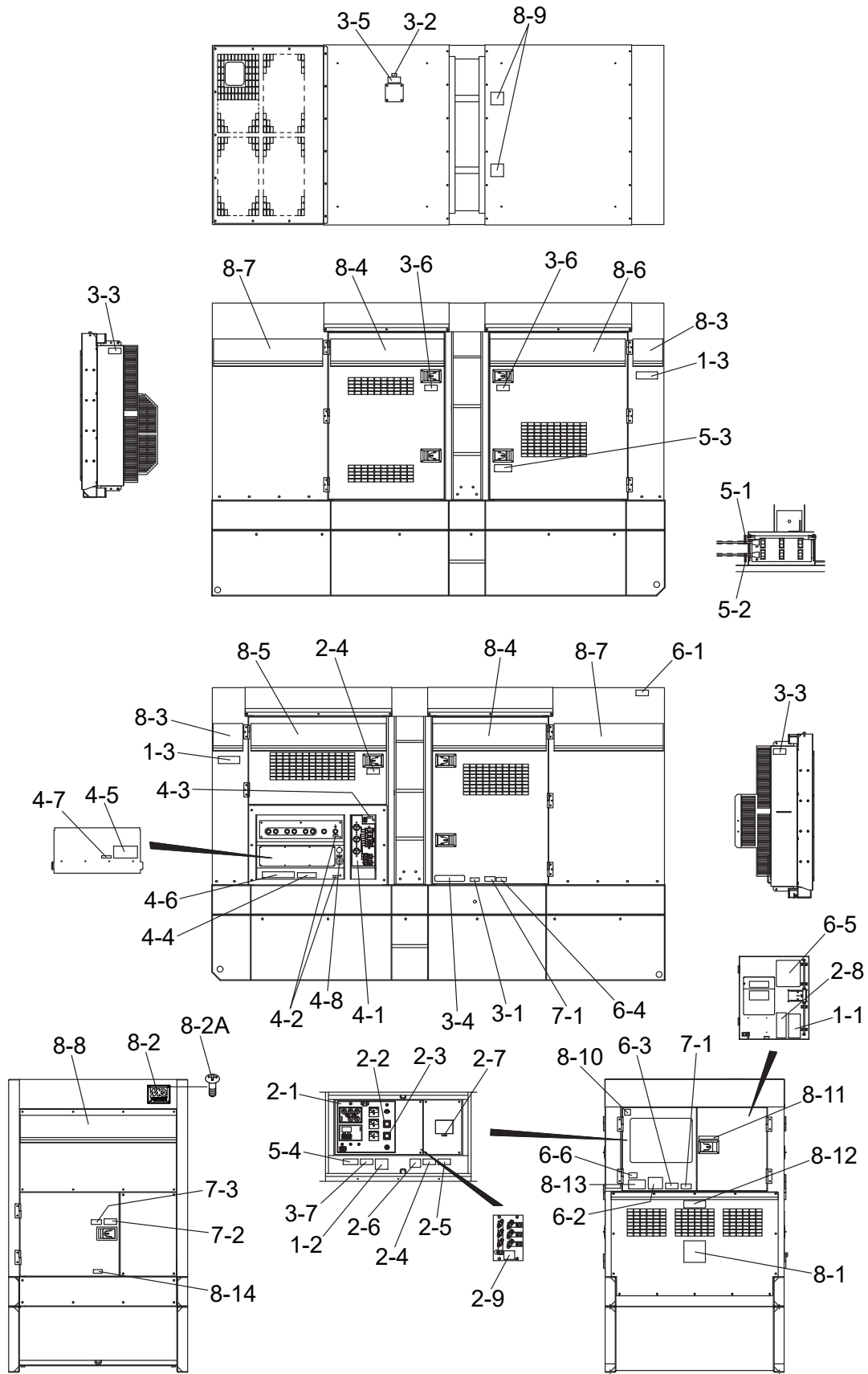
# BATTERY CHARGER ASSY. (OPTION)



## BATTERY CHARGER ASSY. (OPTION)

<u>NO.</u>	<u>PART NO.</u>	<u>PART NAME</u>	<u>QTY.</u>	<u>REMARKS</u>
1	EE57370	CHARGER BATTERY, 10 AMP 12/24V .....	1	
2		GROMMET, 7/8" HOLE SIZE.....	1	OBTAIN LOCALLY
3	EE56557	CORD, 3-CONDUCTOR, 14 AWG.....	6	1PC=1FT
4		SCREW, M4X10 .....	4	OBTAIN LOCALLY
5		WASHER, LOCK M4.....	4	OBTAIN LOCALLY
6		WASHER, FLAT M4.....	4	OBTAIN LOCALLY
7		WIRE, 16GA, RED.....	9	1PC=1FT OBTAIN LOCALLY
8		WIRE, 16GA, GREEN.....	9	1PC=1FT OBTAIN LOCALLY

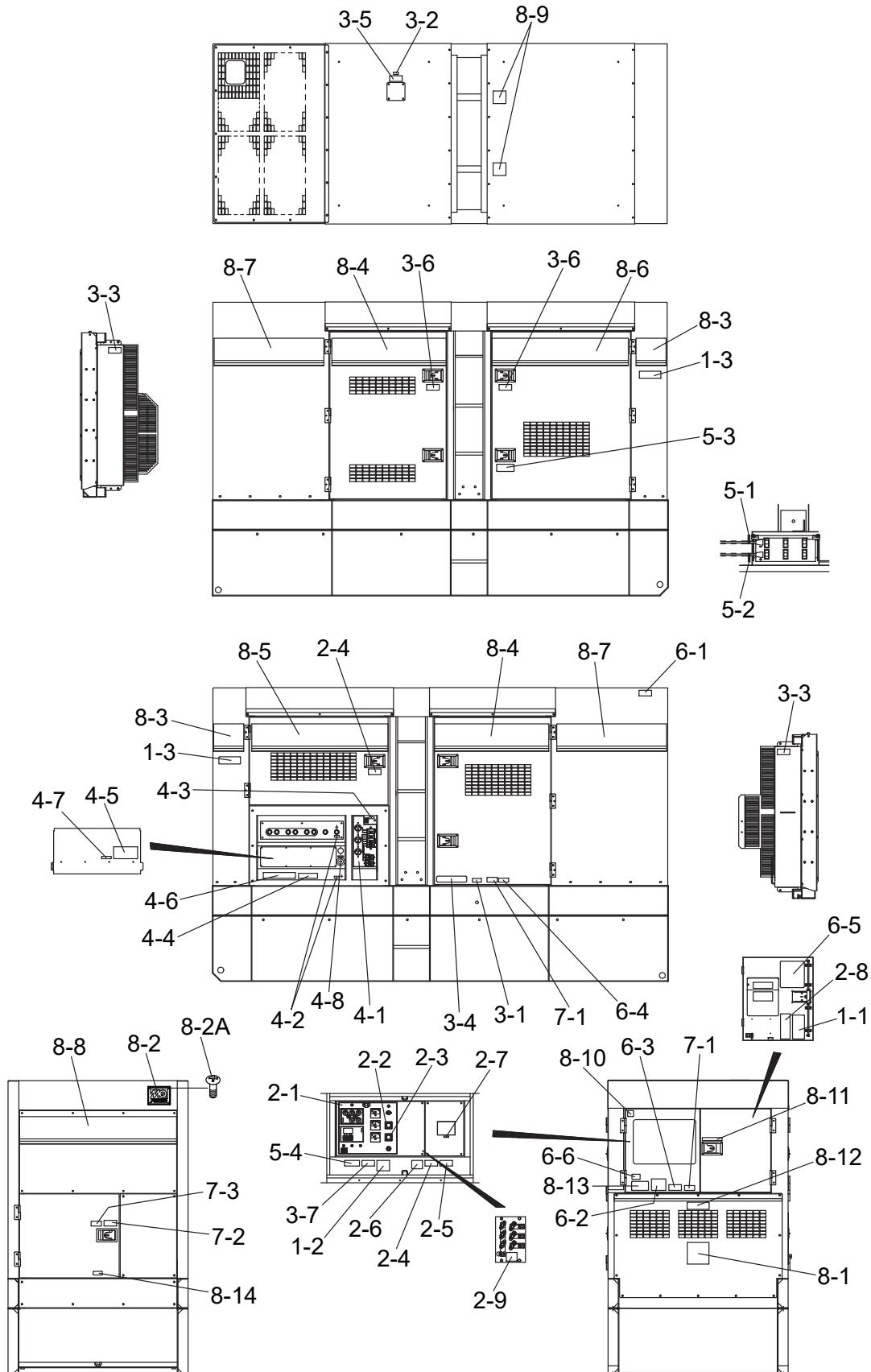
# NAMEPLATE AND DECALS ASSY.



## NAMEPLATE AND DECALS ASSY.

NO.	PART NO.	PART NAME	QTY.	REMARKS
1-1	M3551000103	DECAL: OPERATING PROCEDURES .....	1.....	M35100010
1-2	M9520100304	DECAL: GENERAL CAUTIONS.....	1.....	M92010030
1-3	M9520100603	DECAL: WARNING: AUTO START .....	2.....	M92010060
<b>CONTROL PANEL AND BOX GROUP</b>				
2-1	M5551000702	DECAL: CONTROL PANEL .....	1.....	M55100070
2-2	M9520000104	PLATE: AMMETER CHANGE-OVER SW.....	1.....	M92000010
2-3	M9520000204	PLATE: VOLTMETER CHANGE-OVER SW.....	1.....	M92000020
2-4	M9520100004	DECAL: WARNING: ELECT. SHK. HAZARD .....	2.....	M92010000
2-5	M9520100704	DECAL: WARNING: ARC FLASH .....	1.....	M92010070
2-6	M9520200404	DECAL: OVER CURRENT RELAY .....	1.....	M92020040A
2-7	M9522000504	DECAL: CIRCUIT BREAKER .....	1.....	M92200050
2-8	M9520200303	DECAL: SETTING FOR OUTPUT VOLTAGE ....	1.....	M92020030
2-9	M9520200504	DECAL: SETTING FOR OUTPUT VLT. (S).....	1.....	M92020050
<b>ENGINE AND RADIATOR GROUP</b>				
3-1	M9500000004	DECAL: OIL DRAIN PLUG .....	1.....	M90000000
3-2	M9500100004	DECAL: WATER.....	1.....	M90010000
3-3	M9503000004	DECAL: WARNING: ROTATING PART.....	2.....	M90300000
3-4	M9503000103	DECAL: WATER-OIL CHECK .....	1.....	M90300010
3-5	M9503100004	DECAL: WARNING: RADIATOR CAP .....	1.....	M90310000
3-6	M9510100004	DECAL: CAUTION: HIGH TEMPERATURE.....	2.....	M91010000
3-7	Y0602050118	DIESELMATIC DASH LABEL .....	1.....	KBI130492
<b>OUTPUT TERMINAL GROUP</b>				
4-1	M5551000903	DECAL: AUXILARY OUTPUTS .....	1.....	M55100090
4-2	M9520000004	DECAL: GROUNDING.....	2.....	M92000000
4-3	M9520000504	DECAL: START CONTACT .....	1.....	M92000050
4-4	M9520000704	DECAL: 3-PHASE OUTPUT TERMINAL .....	1.....	M92000070
4-5	M9520100404	DECAL: DANGER: HIGH VOLTAGE .....	1.....	M92010040
4-6	M9520100503	DECAL: WARNING .....	1.....	M92010050
4-7	M9521200604	DECAL: BONDED NEUTRAL.....	1.....	M92120060
4-8	M9522000004	DECAL: WATER HEATER.....	1.....	S/N 9110128 AND ABOVE
<b>BATTERY GROUP</b>				
5-1	M9500300004	DECAL: - .....	1.....	M90030000
5-2	M9500300104	DECAL: + .....	1.....	M90030010
5-3	M9510100403	DECAL: WARNING: BATTERY CONNECT .....	1.....	M91010040A
5-4	M9501300004	DECAL: CAUTION: BATTERY CABLES .....	1.....	M90130000

# NAMEPLATE AND DECALS ASSY. (CONT'D.)



## NAMEPLATE AND DECALS ASSY. (CONT'D.)

<u>NO.</u>	<u>PART NO.</u>	<u>PART NAME</u>	<u>QTY.</u>	<u>REMARKS</u>
<b>MUFFLER GROUP</b>				
6-1	M9503200004	DECAL: WARNING: EXHAUST GAS.....	1.....	M90320000
6-2	M9503200104	DECAL: DANGER: EXH. GAS (INDOOR) .....	1.....	M90320010
6-3	M9504200004	DECAL: WARNING: START FIRES .....	1.....	M90420000
6-4	M9504500004	DECAL: REFILL DEF AS WELL .....	1.....	M90450000
6-5	M2551000703	DECAL: EX. FILTER CLEAN PROCEDURES ...	1.....	M25100070
6-6	M9504200104	DECAL: WARNING: PROPOSITION 65 .....	1.....	M90420010 S/N 9110143 AND ABOVE
<b>FUEL TANK GROUP</b>				
7-1	M9501500004	DECAL: DIESEL FUEL .....	2.....	M90150000
7-2	M9541100004	DECAL: CAUTION: EXHAUST FLUID ONLY .....	1.....	M94110000
7-3	M9501500104	DECAL: DIESEL EXHAUST FLUID .....	1.....	M90150010
<b>ENCLOSURE GROUP</b>				
8-1	M9511200204	DECAL: MQ .....	1.....	M91120020
8-2	Y0600500092	EMBLEM	1	
8-2A	0021106015	MACHINE SCREW	4	
8-3	M5560100104	STRIPE	2	
8-4	M5561101303	STRIPE	2	
8-5	M5561101403	STRIPE	1	
8-6	M5561101503	STRIPE	1	
8-7	M5561100903	STRIPE	2	
8-8	M5561101603	STRIPE	1	
8-9	M5551000804	DECAL: CAUTION: LIFTING CAPACITY .....	2.....	M55100080
8-10	Y0600500094	DECAL: E-COAT MARK STICKER	1	
8-11	M9510000104	DECAL: DOCUMENT BOX LOCATED .....	1.....	M91000010
8-12	M9511200103	DECAL: TIER 4F .....	1.....	M91120010
8-13	M9511100004	DECAL: WARNING: ENVIRONMENTAL.....	1.....	M91110000
8-14	M9510000004	DECAL: FLUID DRAIN.....	1.....	M91000000