

PARTS MANUAL



**WHISPERWATT™ SERIES
MODEL DCA300SSJU4F
60Hz GENERATOR
(JOHN DEERE 6090HFG09 DIESEL ENGINE)**

PARTS LIST NO. M5871300104

Revision #1 (02/10/17)



THIS MANUAL MUST ACCOMPANY THE EQUIPMENT AT ALL TIMES.

TABLE OF CONTENTS

DCA300SSJU4F 60HZ GENERATOR

Parts Ordering Procedures.....	3
Explanation Of Code In Remarks Column.....	4
Suggested Spare Parts	5
Component Drawings	
Generator Assembly	6-9
Control Box 1 Assembly	10-13
Control Box 2 Assembly	14-15
Engine And Radiator Assembly	16-19
Output Terminal Assembly	20-21
Battery Assembly	22-23
Diesel Particulate Filter (DPF) Assembly	24-25
Diesel Engine Fluid (DEF) Tank Assembly	26-27
Fuel Tank Assembly	28-29
Enclosure Assembly	30-35
Rubber Seals Assembly	36-37
Water Heating Element Assembly (Option)	38-39
Battery Charger Assembly (Option)	40-41
Nameplate And Decals Assembly	42-45
Terms And Conditions Of Sale — Parts	46

EXPLANATION OF CODE IN REMARKS COLUMN

The following section explains the different symbols and remarks used in the Parts section of this manual. Use the help numbers found on the back page of the manual if there are any questions.

NOTICE

The contents and part numbers listed in the parts section are subject to change **without notice**. Multiquip does not guarantee the availability of the parts listed.

SAMPLE PARTS LIST

NO.	PART NO.	PART NAME	QTY.	REMARKS
1	12345	BOLT	1	INCLUDES ITEMS W/%
2%		WASHER, 1/4 IN.		NOT SOLD SEPARATELY
2%	12347	WASHER, 3/8 IN. ...	1	MQ-45T ONLY
3	12348	HOSE	A/R	MAKE LOCALLY
4	12349	BEARING	1	S/N 2345B AND ABOVE

NO. Column

Unique Symbols — All items with same unique symbol (@, #, +, %, or >) in the number column belong to the same assembly or kit, which is indicated by a note in the “Remarks” column.

Duplicate Item Numbers — Duplicate numbers indicate multiple part numbers, which are in effect for the same general item, such as different size saw blade guards in use or a part that has been updated on newer versions of the same machine.

NOTICE

When ordering a part that has more than one item number listed, check the remarks column for help in determining the proper part to order.

PART NO. Column

Numbers Used — Part numbers can be indicated by a number, a blank entry, or TBD.

TBD (To Be Determined) is generally used to show a part that has not been assigned a formal part number at the time of publication.

A blank entry generally indicates that the item is not sold separately or is not sold by Multiquip. Other entries will be clarified in the “Remarks” Column.

QTY. Column

Numbers Used — Item quantity can be indicated by a number, a blank entry, or A/R.

A/R (As Required) is generally used for hoses or other parts that are sold in bulk and cut to length.

A blank entry generally indicates that the item is not sold separately. Other entries will be clarified in the “Remarks” Column.

REMARKS Column

Some of the most common notes found in the “Remarks” Column are listed below. Other additional notes needed to describe the item can also be shown.

Assembly/Kit — All items on the parts list with the same unique symbol will be included when this item is purchased.

Indicated by:

“INCLUDES ITEMS W/(unique symbol)”

Serial Number Break — Used to list an effective serial number range where a particular part is used.

Indicated by:

“S/N XXXXX AND BELOW”

“S/N XXXX AND ABOVE”

“S/N XXXX TO S/N XXX”

Specific Model Number Use — Indicates that the part is used only with the specific model number or model number variant listed. It can also be used to show a part is NOT used on a specific model or model number variant.

Indicated by:

“XXXXX ONLY”

“NOT USED ON XXXX”

“Make/Obtain Locally” — Indicates that the part can be purchased at any hardware shop or made out of available items. Examples include battery cables, shims, and certain washers and nuts.

“Not Sold Separately” — Indicates that an item cannot be purchased as a separate item and is either part of an assembly/kit that can be purchased, or is not available for sale through Multiquip.

SUGGESTED SPARE PARTS

DCA300SSJU4F WHISPERWATT GENERATOR WITH JOHN DEERE 6090HFG09 DIESEL ENGINE

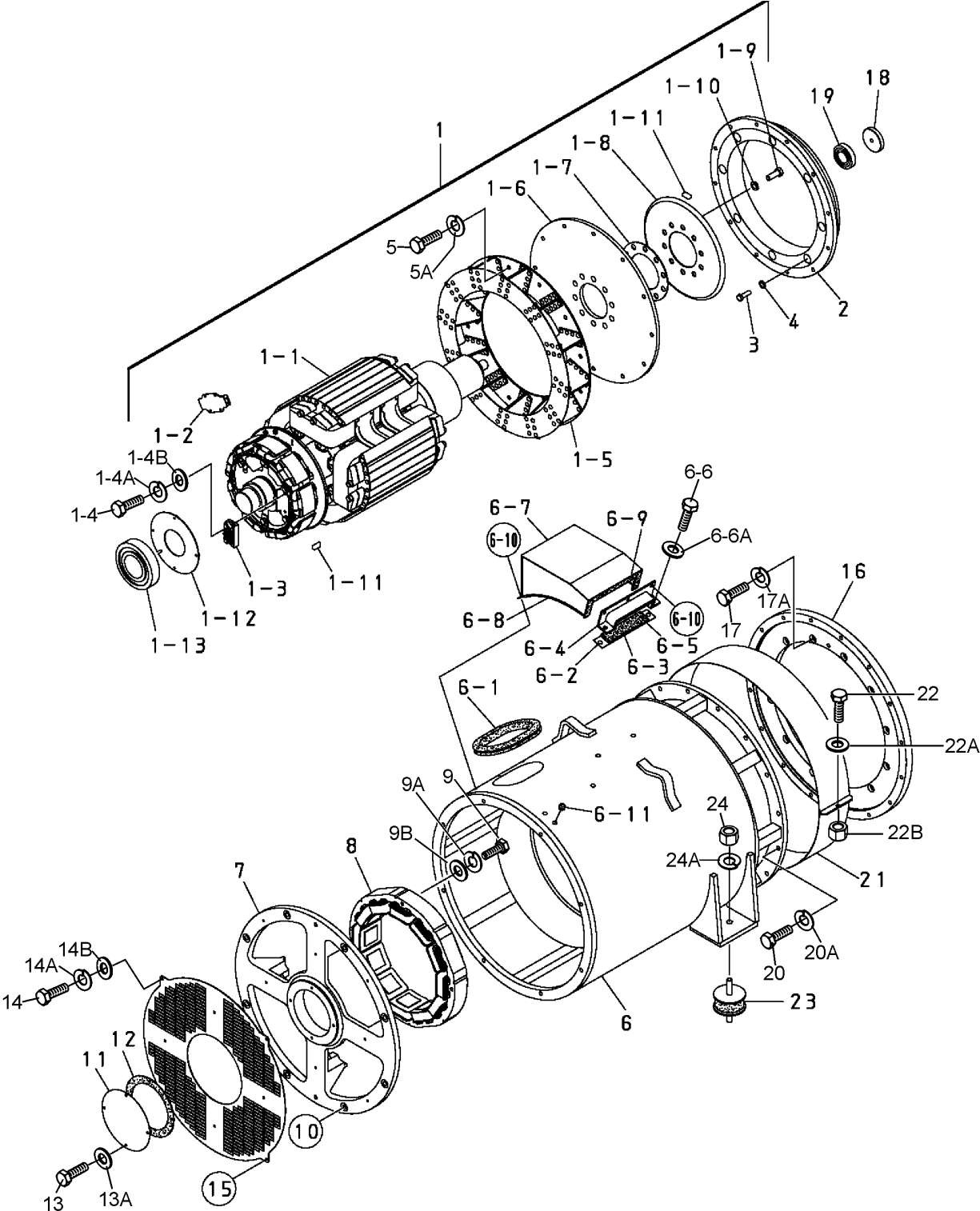
1 TO 3 UNITS

Qty.	P/N	Description
2.....	M5311501003.....	HOSE, RADIATOR, UPPER
2.....	M5311501103.....	HOSE, RADIATOR, LOWER
3.....	R532659.....	BELT, FAN
3.....	RE556406.....	FUEL FILTER KIT PRIMARY/SECONDARY
6.....	RE509672.....	ELEMENT, OIL FILTER
3.....	P777868.....	ELEMENT AIR CLEANER PRIMARY
3.....	.0602046653-1.....	ELEMENT AIR CLEANER SAFETY
1.....	.0601808803.....	CIRCUIT BREAKER 1P 20A
1.....	.0601808804.....	CIRCUIT BREAKER 2P 50A
2.....	LY2DUS12VDC.....	RELAY
1.....	.0601806643.....	FUSE, 15A
1.....	Y0601806647.....	FUSE, 25A

NOTICE

Part number on this Suggested Spare Parts list may supersede/replace the P/N shown in the text pages of this book.

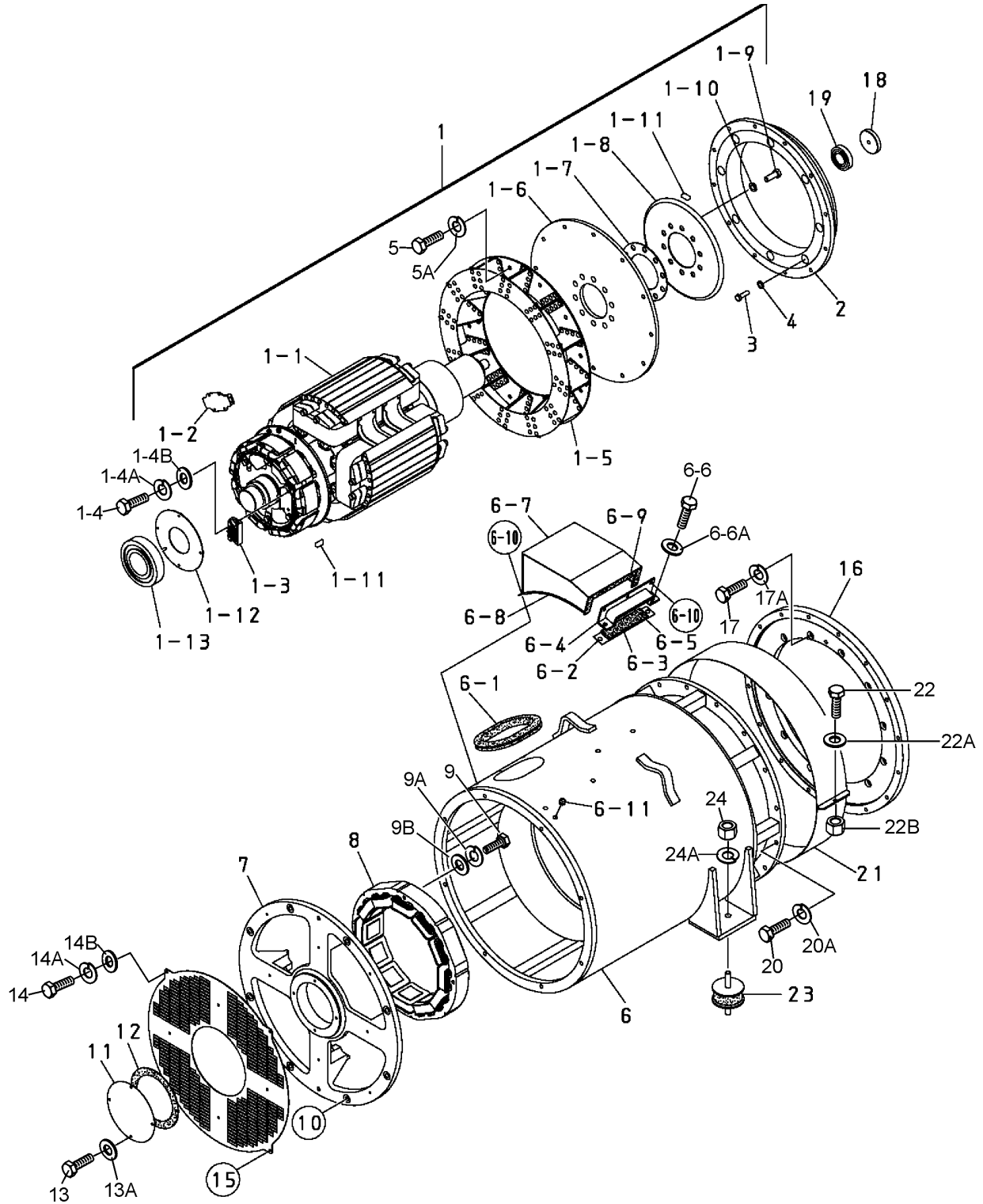
GENERATOR ASSY.



GENERATOR ASSY.

<u>NO.</u>	<u>PART NO.</u>	<u>PART NAME</u>	<u>QTY.</u>	<u>REMARKS</u>
1	C2110000002	ROTOR ASSY.	1	INCLUDES ITEMS W/\$
1-1\$		FIELD ASSY.	1	
1-2\$	0601842401	RESISTOR, 80W, 300 WK	2	
1-3\$	0601823282	RECTIFIER	1	
1-4\$	0018205020	HEX. HEAD CAP SCREW	2	
1-4A\$	0032005000	WASHER, LOCK.....	2	REPLACES P/N 0040005000
1-4B\$	0401450050	WASHER, FLAT	2	REPLACES P/N 0041205000
1-5\$	8201070002	FAN	1	
1-6\$	8201611004	COUPLING DISK	12	
1-7\$	C3164200004	WASHER, COUPLING HUB	1	
1-8\$	8201015003	BALANCING PLATE	1	ITEM 1-11 MUST BE ORDERED WHEN REPLACING ITEM 1-8.
1-9\$	0012116045	HEX. HEAD BOLT	10	
1-10\$	0042616000	WASHER, LOCK	10	
1-11\$	0601000209	BALANCING WEIGHT KIT	1	
1-12\$	C3112500004	BEARING FLANGE	1	
1-13\$	0071906315	BEARING	1	
2\$	M5163400103	COUPLING RING	1	
3\$	0343206200	HEX. HEAD BOLT	8	
4\$	0043606000	WASHER, LOCK	8	
5\$	0012112040	HEX. HEAD BOLT	12	
5A\$	0042512000	WASHER, LOCK	12	
6	C2130100103	STATOR ASSY.	1	
6-1	0226200430	RUBBER SEAL	1	
6-2	8201323004	CLAMPER	1	
6-3	0223300140	RUBBER SEAL	1	
6-4	8201323103	CLAMPER	1	
6-5	Y0223100175	RUBBER SEAL	1	
6-6	0010110035	HEX. HEAD BOLT	2	
6-6A	031110160	WASHER, FLAT	2	REPLACES P/N 0041210000
6-7	C2132200003	COVER	1	
6-8	0226000275	RUBBER SEAL	2	
6-9	0225000500	RUBBER SEAL	1	
6-10	0017106016	HEX. HEAD BOLT	6	
6-11	0601850144	GROMMET	1	
7	C3154000002	END BRACKET	1	
8	C3138000003	FIELD ASSY., EXCITER	1	
9	0012110080	HEX. HEAD BOLT	4	
9A	0042610000	WASHER, LOCK	4	
9B	031110160	WASHER, FLAT	4	REPLACES P/N 0041210000
10	0017112045	HEX. HEAD BOLT	8	
11	C3154300104	COVER, BEARING	1	
12	C3154300004	GASKET, BEARING	1	
13	0010106060	HEX. HEAD BOLT	4	
13A	0040006000	WASHER, LOCK	4	
13B	952404470	WASHER, FLAT	4	REPLACES P/N 0041206000
14	C3154400003	SUCTION COVER	1	

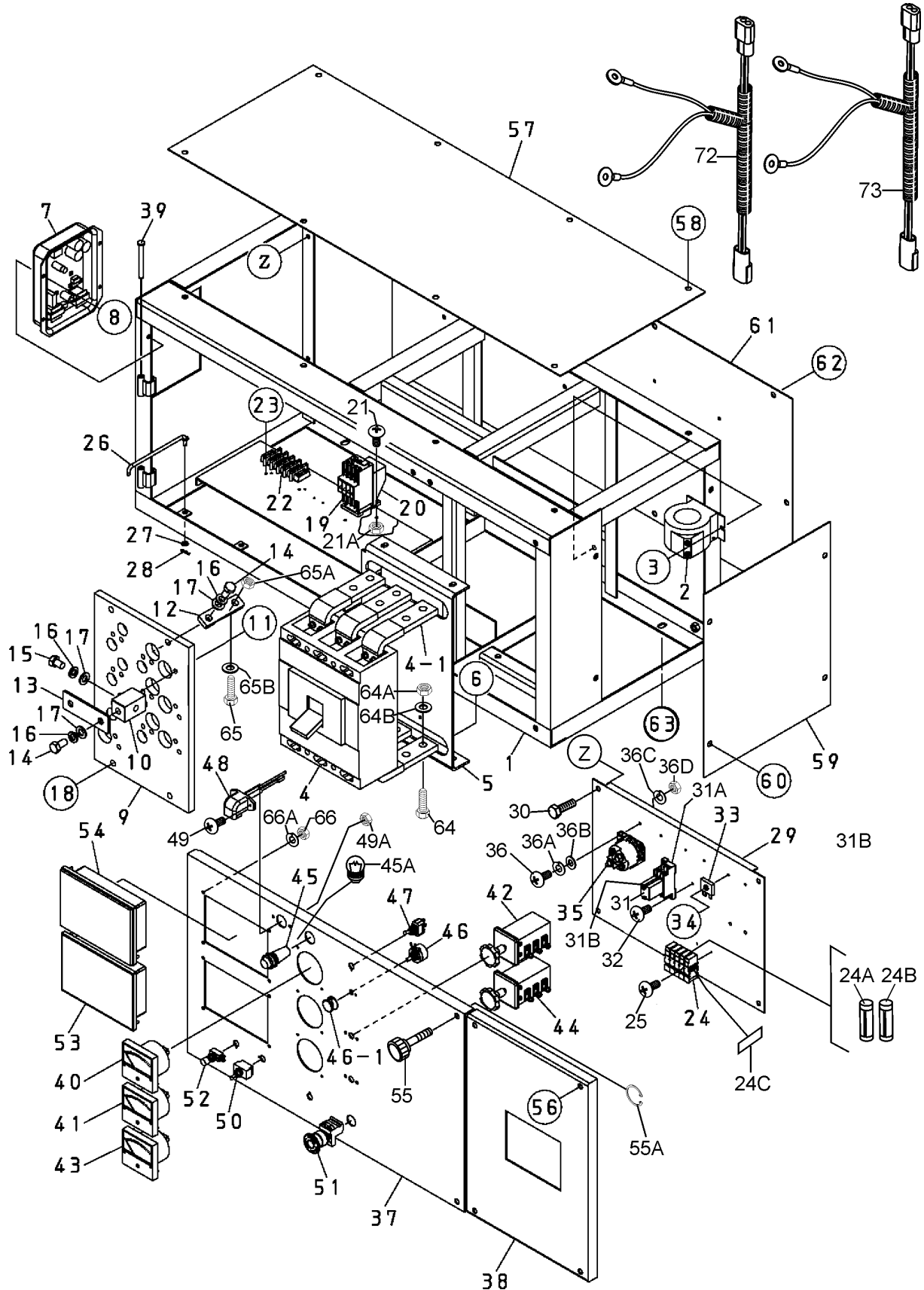
GENERATOR ASSY. (CONT.)



GENERATOR ASSY. (CONT.)

<u>NO.</u>	<u>PART NO.</u>	<u>PART NAME</u>	<u>QTY.</u>	<u>REMARKS</u>
15	011106015	HEX. HEAD BOLT.....	8.....	REPLACES P/N 0017106015
16	M5163600303	COUPLING ADAPTER	1	
17	012010030	HEX. HEAD BOLT.....	12.....	REPLACES P/N 0012110030
17A	030210250	WASHER, LOCK.....	12.....	REPLACES P/N 0042510000
18	M5163700004	SPACER, BEARING	1	
19	0070506208	BEARING	1	
20	0012112040	HEX. HEAD BOLT	16	
20A	0042512000	WASHER, LOCK	16	
21	C3132300014	COVER, FAN	1	
22	0010006030	HEX. HEAD BOLT.....	1.....	REPLACES P/N 0010106030
22A	952404470	WASHER, FLAT.....	1.....	REPLACES P/N 0041206000
22B	020106050	NUT.....	1.....	REPLACES P/N 0600815000
23	0605000012	RUBBER SUSPENSION	2	
24	0030020000	HEX. NUT	4	
24A	030220510	WASHER, LOCK.....	4.....	REPLACES P/N 0040020000

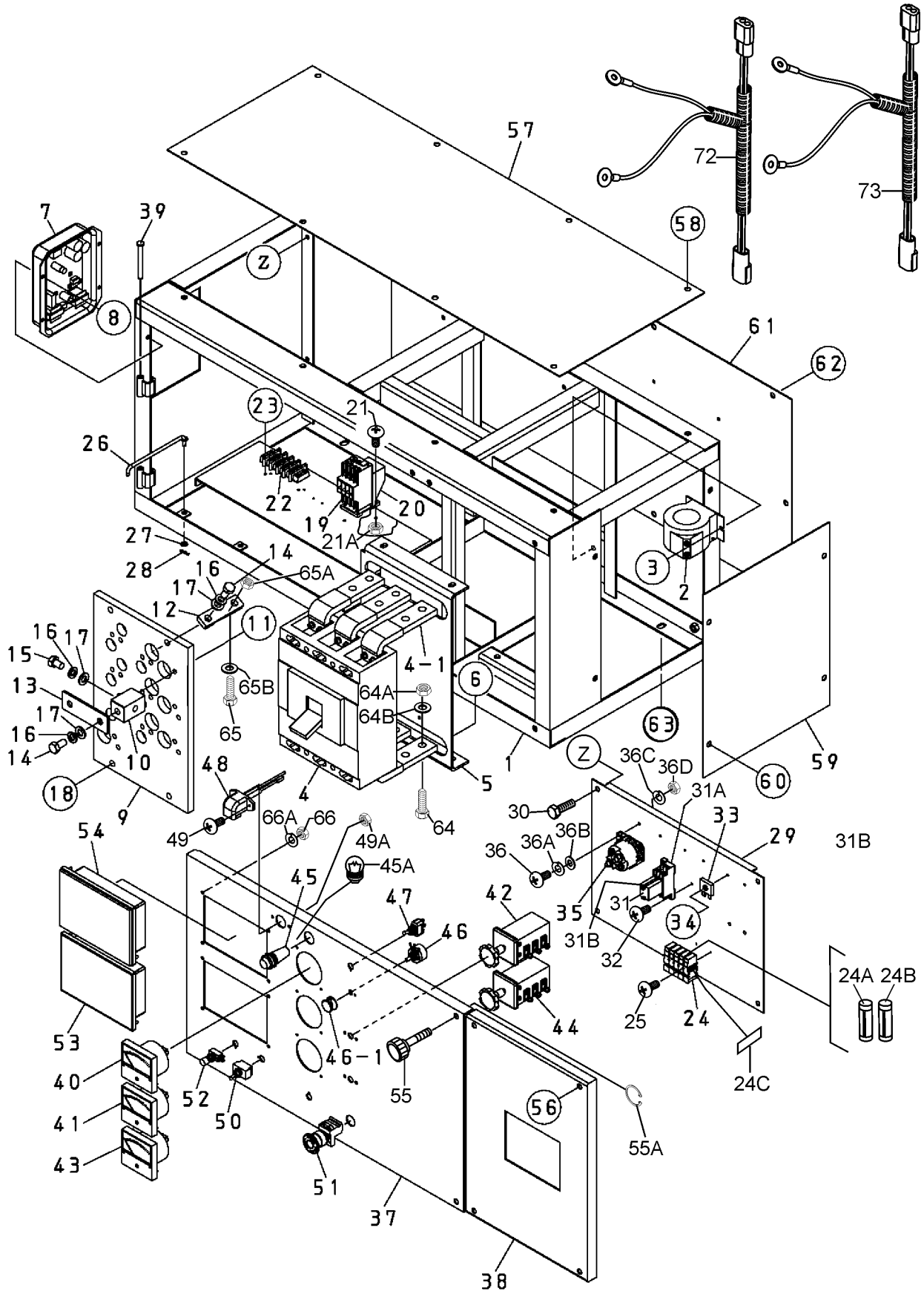
CONTROL BOX 1 ASSY.



CONTROL BOX 1 ASSY.

<u>NO.</u>	<u>PART NO.</u>	<u>PART NAME</u>	<u>QTY.</u>	<u>REMARKS</u>
1	M5213000202	CONTROL BOX	1	
2	0601809659	CURRENT TRANSFORMER	3	
3	011808015	MACHINE SCREW	6.....	REPLACES P/N 0027106015
4	Y0601807528	CIRCUIT BREAKER, 800A	1	
4-1	Y0601827410	BUS BAR	2	
5	M5261600004	SET PANEL, CIRCUIT BREAKER	1	
6	011008020	HEX. HEAD BOLT.....	4.....	REPLACES P/N 0016908020
7	0601820604	AUTOMATIC VOLTAGE REGULATOR	1	
8	0027105015	MACHINE SCREW	4	
9	0027105016	TERMINAL BOARD	1	
10	M5276400104	CHANGE-OVER TERMINAL	10	
11	011208030	HEX. HEAD BOLT.....	20.....	REPLACES P/N 0017108030
12	M5276200004	CHANGE-OVER PLATE	3	
13	M5276300104	CHANGE-OVER PLATE	6	
14	M9220101104	HEX. HEAD BOLT	13	
15	M2233100004	HEX. HEAD BOLT	13	
16	0040012000	WASHER, LOCK	26	
17	0041412000	WASHER, FLAT	26	
18	0017110030	HEX. HEAD BOLT.....	4.....	REPLACES P/N 012010030
19	0601820847	OVER CURRENT RELAY	1	
20	0601820848	OVER CURRENT RELAY	1	
21	0027104020	MACHINE SCREW	2	
21A	OEMAA8	HEX. NUT	2.....	REPLACES P/N 0207004000
22	0601815153	TERMINAL BOARD	1	
23	0027104020	MACHINE SCREW	2	
24	M5214600004	ASSY. HOLDER, FUSE	1	
24A	0601806643	FUSE, 15A	2	
24B	Y0601806647	FUSE, 25A	3	
24C	M9501400304	DECAL: FUSE HOLDER.....	1.....	M90140030
25	Y0027203035	MACHINE SCREW	2	
26	M4213600104	STOPPER, CONTROL PANEL	1	
27	952404470	WASHER, FLAT	1.....	REPLACES P/N 0041206000
28	505015300	SNAP PIN	1.....	REPLACES P/N 0605010502
29	M5261500103	SET PANEL, ELECTRIC PARTS	1	
30	011008020	HEX. HEAD BOLT.....	4.....	REPLACES P/N 0016908020
31	LY2DUS12VDC	RELAY, DC12V	1.....	REPLACES P/N 0601827656
31A	PTF08A	RELAY BASE.....	1.....	REPLACES P/N 0601823109
31B	PYCA1	RELAY CLIP	2.....	REPLACES P/N 0601824400
32	0027104020	MACHINE SCREW	2	
33	0601821370	RECTIFIER.....	1.....	REPLACES P/N 0601823240
34	0027104020	MACHINE SCREW	1	
35	Y0602201458	STARTER RELAY	1	
36	011808015	MACHINE SCREW	2.....	REPLACES P/N 0027106015
36A	0044808000	WASHER, LOCK	2	
36B	Y0206508000	HEX. NUT	2	
36C	Y0044811000	WASHER, LOCK	2	
36D	Y0206711000	HEX. NUT	2	

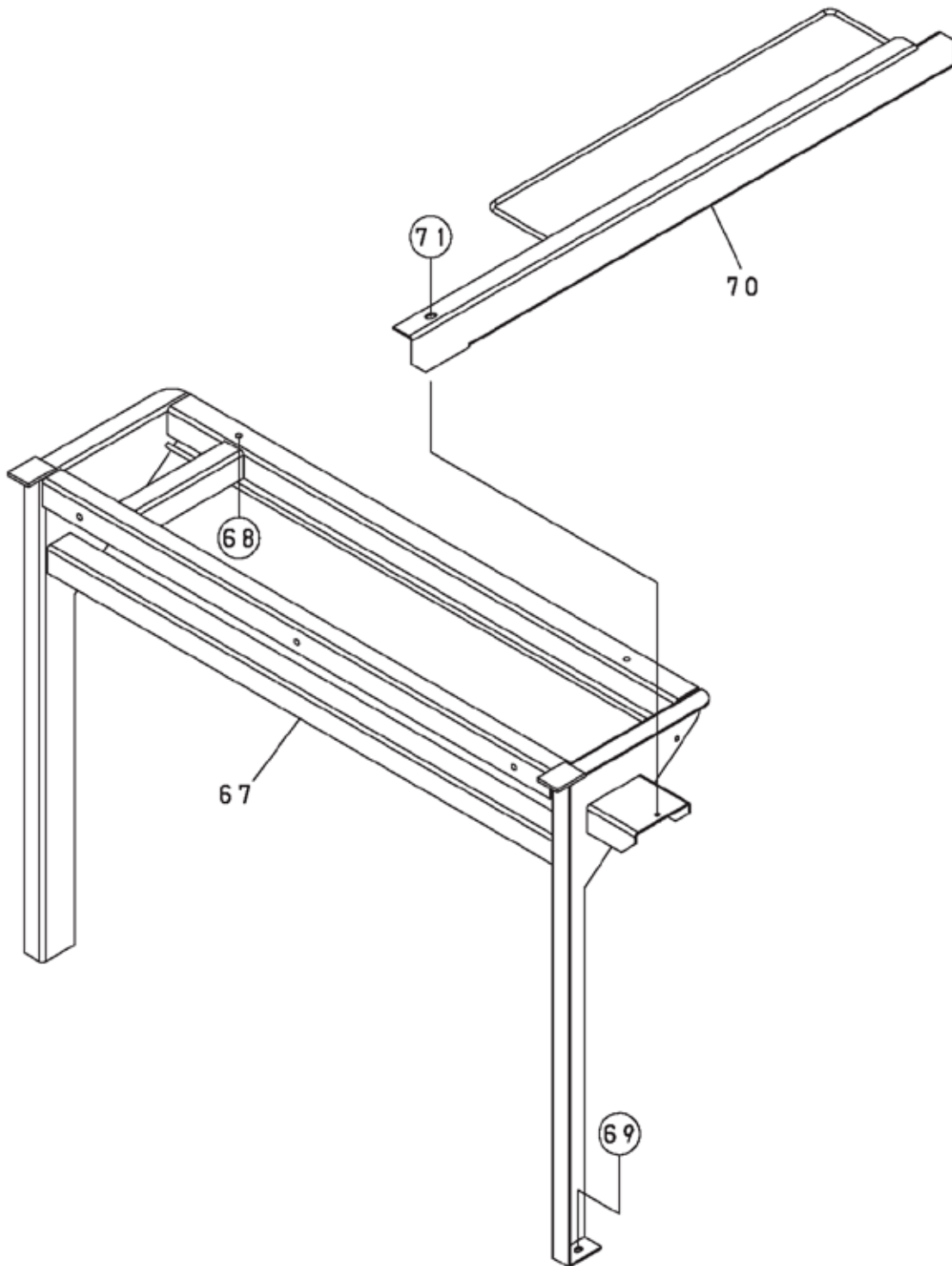
CONTROL BOX 1 ASSY. (CONTINUED)



CONTROL BOX 1 ASSY. (CONTINUED)

<u>NO.</u>	<u>PART NO.</u>	<u>PART NAME</u>	<u>QTY.</u>	<u>REMARKS</u>
37	M5223000303	CONTROL PANEL	1	
38	M5224000104	CONTROL PANEL	1	
39	0605011211	PIN	2	
40	0601807622	FREQUENCY METER 45~65HZ 240V	1	
41	0601806979	AC AMMETER 0~500A/1000A:5A	1	
42	0601801040	CHANGE-OVER SWITCH, AMMETER	1	
43	0601806887	AC VOLTMETER 0-600V	1	
44	0601801041	CHANGE-OVER SWITCH, VOLTMETER	1	
45	0601810072	PILOT LAMP 220V	1	
45A	0601810261	BULB 13W	1	
46	0601840073	RHEOSTAT (VR) 20A, 2W 1KW	1	
46-1	0601840100	KNOB.....	1	REPLACES P/N 0601840121
47	0601830710	PANEL LIGHT SWITCH	1	
48	Y0601810170	PANEL LIGHT 12V	1	
49	0027104020	MACHINE SCREW	2	
49A	OEMAA8	HEX. NUT	2	REPLACES P/N 0207004000
50	82608	TOGGLE SWITCH.....	1	REPLACES P/N 0601831340
51	0601831557	EMERGENCY STOP BUTTON	1	
52	0601831205	PUSH BUTTON SWITCH, RED	1	
53	Y0602202651	ECU CONTROLLER, ECU-835	1	
54	Y0602120569	GAUGE UNIT ASSY.	1	
55	M9220100004	SET SCREW	2	
55A	0080200007	SNAP RING	2	
56	0017108040	HEX. HEAD BOLT	4	
57	M5214500004	UP PANEL, CONTROL BOX	1	
58	011008020	HEX. HEAD BOLT.....	8	REPLACES P/N 0016908020
59	M5214300004	SIDE PANEL, CONTROL BOX	1	
60	011008020	HEX. HEAD BOLT.....	4	REPLACES P/N 0016908020
61	M5214600204	BACK PANEL, CONTROL BOX	1	
62	011008020	HEX. HEAD BOLT.....	9	REPLACES P/N 0016908020
63	0016910030	HEX. HEAD BOLT	3	
64	Y0017112040	HEX. HEAD BOLT	6	
64A	0030012000	HEX. NUT	6	
64B	031112230	WASHER, FLAT.....	6	REPLACES P/N 0041212000
65	Y0017112040	HEX. HEAD BOLT	3	
65A	0030012000	HEX. NUT	3	
65B	031112230	WASHER, FLAT.....	3	REPLACES P/N 0041212000
66	Y0206707000	HEX. NUT	8	
66A	Y0044807000	WASHER, LOCK	8	
72	M5246700804	WIRE HARNESS, GENERATOR	1	
73	M5358200402	WIRE HARNESS, ENGINE	1	

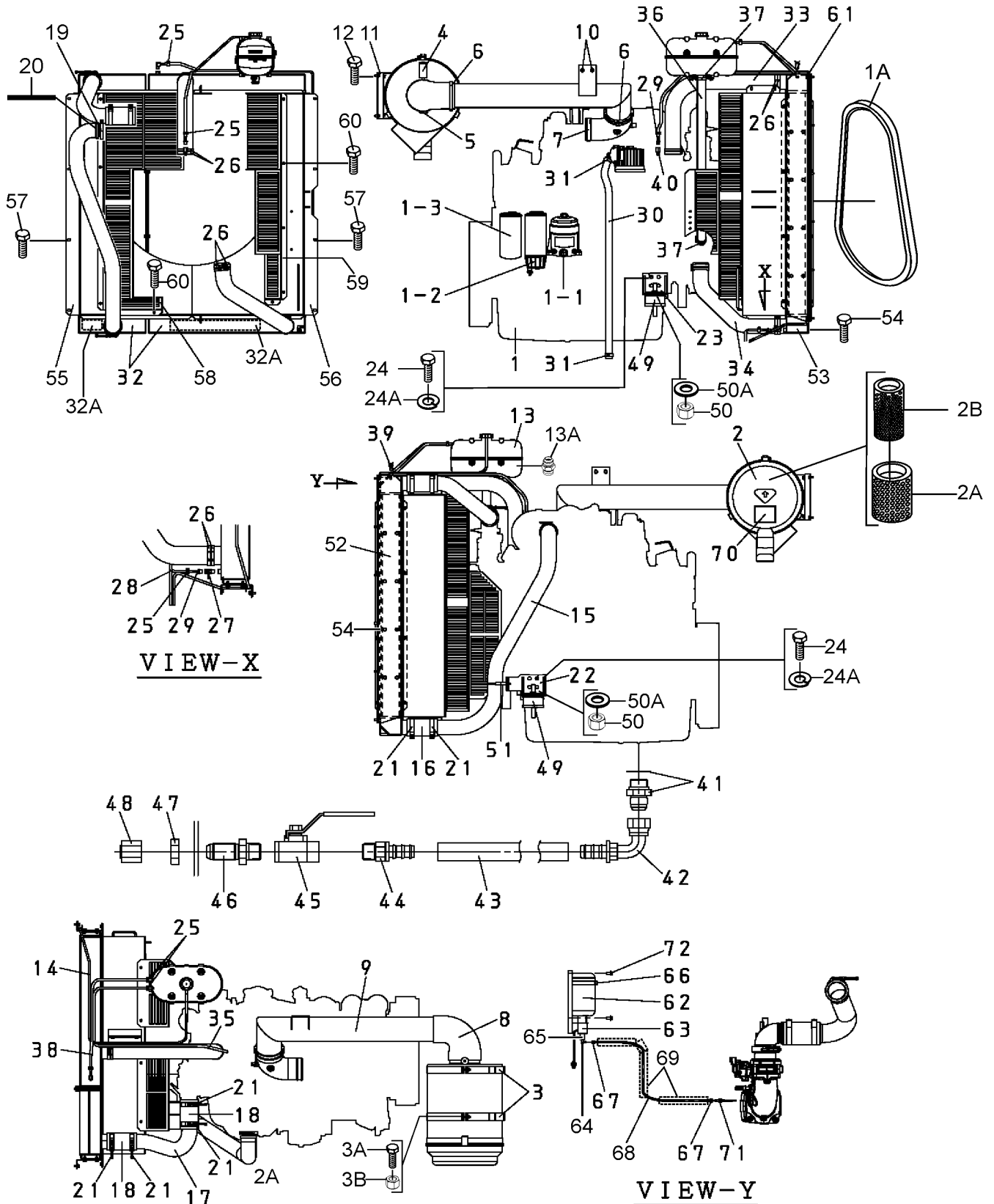
CONTROL BOX 2 ASSY.



CONTROL BOX 2 ASSY.

<u>NO.</u>	<u>PART NO.</u>	<u>PART NAME</u>	<u>QTY.</u>	<u>REMARKS</u>
67	M5484000103	SUPPORT LEG	1	
68	0016910030	HEX. HEAD BOLT	5	
69	011008020	HEX. HEAD BOLT	2.....	REPLACES P/N 0016908020
70	M5358300004	HARNESS CLAMPER	1	
71	011008020	HEX. HEAD BOLT	2.....	REPLACES P/N 0016908020

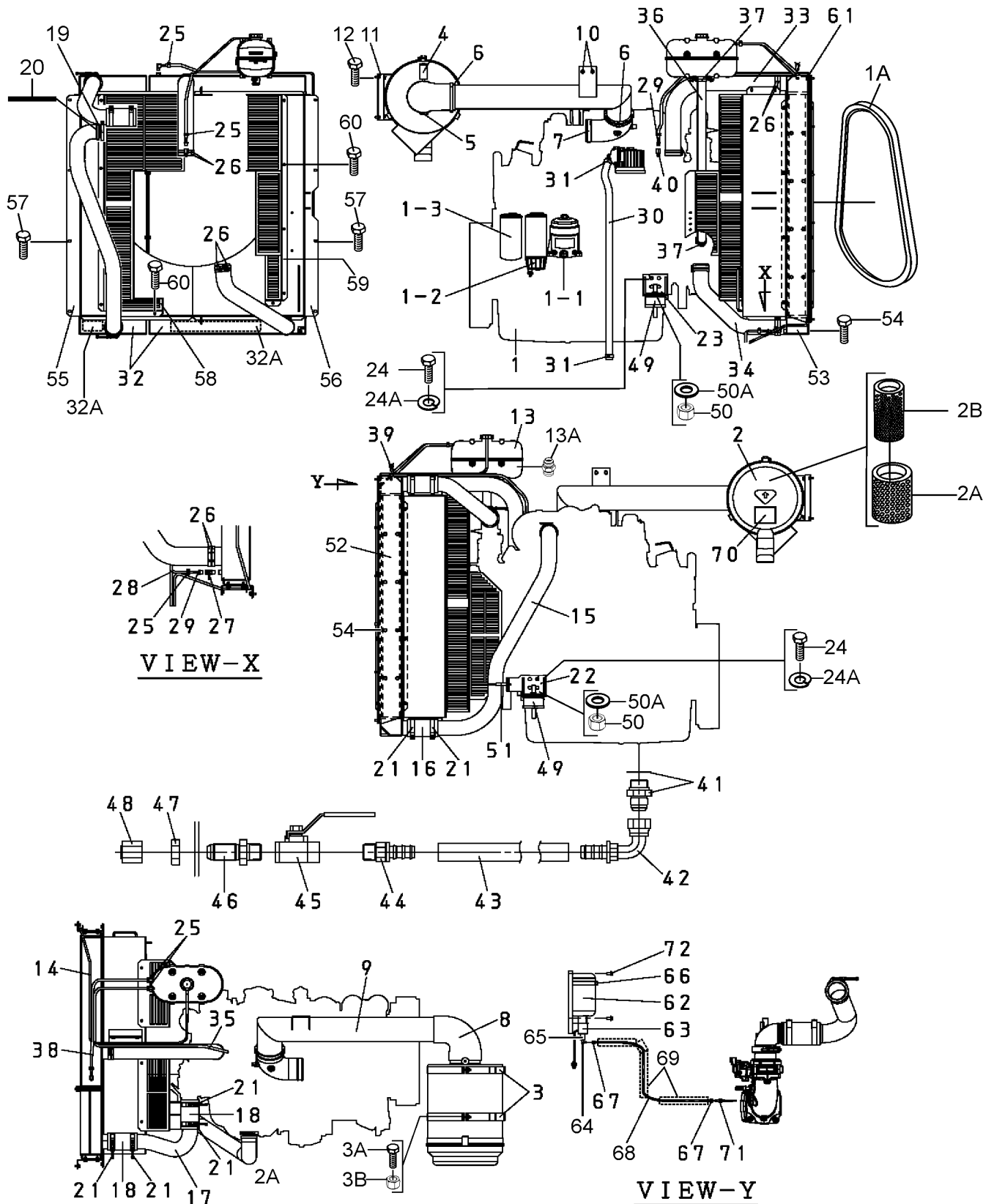
ENGINE AND RADIATOR ASSY.



ENGINE AND RADIATOR ASSY.

<u>NO.</u>	<u>PART NO.</u>	<u>PART NAME</u>	<u>QTY.</u>	<u>REMARKS</u>
1	M5924200024	ENGINE, JOHN DEERE 6090HFG09	1	
1A	R532659	FAN BELT	1	
1-1	RE509672	ELEMENT, OIL FILTER	1	
1-2	RE539465	ELEMENT, FUEL FILTER (PRIMARY)	1	
1-3	RE533910	FUEL FILTER (SECONDARY)	1	
2	Y0602046592	AIR CLEANER	1	
2A	0602046653-1	ELEMENT, SAFETY	1	REPLACES P/N P777869
2B	P777868	ELEMENT, PRIMARY	1	
3	P016845	AIR CLEANER BAND	2	REPLACES P/N Y0602040520
3A	011208025	HEX. HEAD BOLT	4	REPLACES P/N 0016908025
3B	020108060	SELF LOCK NUT	4	REPLACES P/N 0207008000
4	Y0602040652	AIR CLEANER INDICATOR	1	
5	Y0605515203	HOSE BAND	1	
6	0605515202	HOSE BAND	2	
7	0605515197	HOSE BAND	1	
8	Y0602040330	AIR CLEANER HOSE	1	
9	M5374000204	AIR CLEANER PIPE	1	
10	011008020	HEX. HEAD BOLT	2	REPLACES P/N 0016908020
11	M5374200104	AIR CLEANER BRACKET	1	
12	011008020	HEX. HEAD BOLT	4	REPLACES P/N 0016908020
13	DZ102101	SURGE TANK	1	REPLACES P/N Y0602010223
13A	AT368672	COOLANT FITTING.....	1	REPLACES P/N Y0602010224
14	Y0193602900	OVER FLOW HOSE	1	
15	M5311400003	INTER-COOLER PIPE	1	
16	Y0602015611	CAC HOSE	1	
17	M5311400203	INTER-COOLER PIPE	1	
18	Y0602015612	CAC HOSE	2	
19	RE292067	V-BAND CLAMP	1	REPLACES P/N Y0602325033
20	RE529509	GASKET	1	REPLACES P/N Y0602320207
21	Y0605515234	HOSE BAND	6	
22	M5304200204	ENGINE FOOT	1	
23	M5304200104	ENGINE FOOT	1	
24	0010116050	HEX. HEAD BOLT	8	
24A	0040016000	WASHER, LOCK	8	
25	0605515189	HOSE BAND	5	
26	9500202080	HOSE BAND.....	8	REPLACES P/N 0605515178
27	Y0605511394	MINI BALL VALVE	1	
28	0193600500	DRAIN HOSE	1	
29	Y0605512192	HOSE JOINT	2	
30	Y0265901150	BLOWBY HOSE	1	
31	0605515149	HOSE BAND	2	
32	Y0602012907	RADIATOR AND INTER-COOLER	1	

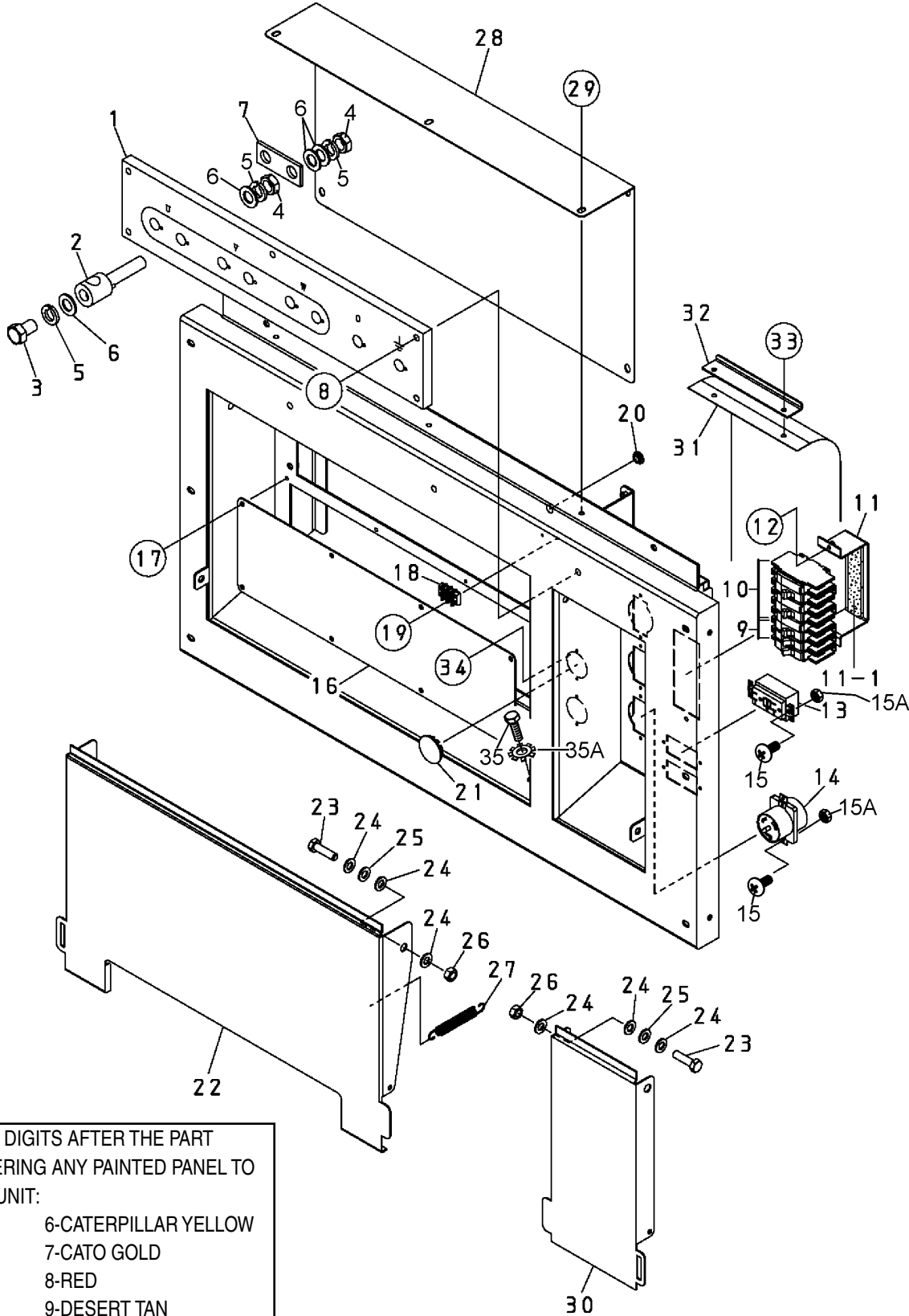
ENGINE AND RADIATOR ASSY. (CONTINUED)



ENGINE AND RADIATOR ASSY. (CONTINUED)

<u>NO.</u>	<u>PART NO.</u>	<u>PART NAME</u>	<u>QTY.</u>	<u>REMARKS</u>
32A	M5494102604	ACOUSTIC SHEET	4	
33	M5311501003	RADIATOR HOSE, (UPPER)	1	
34	M5311501103	RADIATOR HOSE, (LOWER)	1	
35	Y0379101400	VENTILATION HOSE	1	
36	M5317200003	SURGE TANK HOSE	1	
37	0605515201	HOSE BAND	2	
38	Y0379100650	VENTILATION HOSE	1	
39	Y0605512183	HOSE JOINT	1	
40	Y0602022584	SWIVEL CONNECTOR	1	
41	Y0602022583	ADAPTER	1	
42	0602022561	90° ELBOW	1	
43	Y0269201400	PUSH-LOCK HOSE	1	
44	0603306395	MALE PIPE	1	
45	0605511395	BALL VALVE	1	
46	0603306590	MALE BULKHEAD CONNECTOR	1	
47	0603300285	BULKHEAD LOCKNUT	1	
48	0602021070	CAP	1	
49	0605000011	RUBBER SUSPENSION	2	
50	0030016000	HEX. NUT	4	
50A	0040016000	WASHER, LOCK	4	
51	0602326060	U-BOLT	1	
52	M5311200104	RADIATOR BRACKET	1	
53	M5311200204	RADIATOR BRACKET	1	
54	011008020	HEX. HEAD BOLT	28	REPLACES P/N 0016908020
55	M5311300203	FAN SHROUD	1	
56	M5311300303	FAN SHROUD	1	
57	011008020	HEX. HEAD BOLT	8	REPLACES P/N 0016908020
58	M5311300403	FAN GUARD	1	
59	M5311300503	FAN GUARD	1	
60	011008020	HEX. HEAD BOLT	15	REPLACES P/N 0016908020
61	0602220911	CLAMP	2	
62	Y0602050110	STARTING FLUID CYLINDER	1	
63	Y0602050111	NVT VALVE ASSEMBLY	1	
64	Y0602050112	VALVE FITTING	1	
65	Y0602050122	ORIFICE	1	
66	Y0602050113	CYLINDER CLAMP	1	
67	Y0602050114	TUBE FITTINGS	2	
68	Y0602050115	NYLON TUBE	1	
69	Y0602050116	PROTECTIVE SHEETING	1	
70	Y0602050119	DIESELMATIC AIR FILTER LABEL	1	
71	AT183222	INJECTOR NOZZLE	1	REPLACES P/N Y0602050123
72	011008020	HEX. HEAD BOLT	4	REPLACES P/N 0016908020

OUTPUT TERMINAL ASSY.



ADD THE FOLLOWING DIGITS AFTER THE PART NUMBER WHEN ORDERING ANY PAINTED PANEL TO INDICATE COLOR OF UNIT:

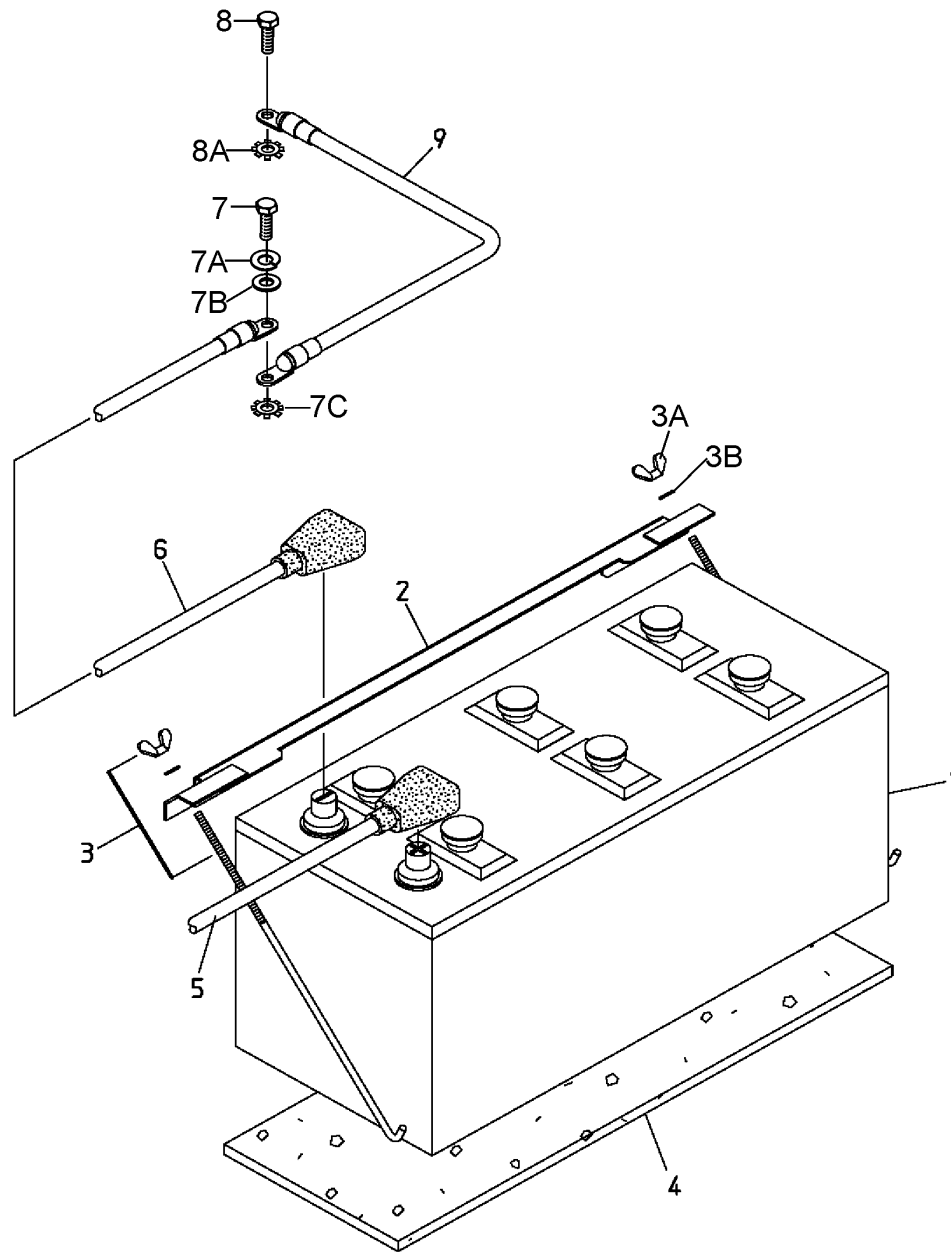
1-ORANGE	6-CATERPILLAR YELLOW
2-WHITE	7-CATO GOLD
3-SPECTRUM GREY	8-RED
4-SUNBELT GREEN	9-DESERT TAN
5-BLACK	

THE SERIAL NUMBER MAY BE REQUIRED.

OUTPUT TERMINAL ASSY.

<u>NO.</u>	<u>PART NO.</u>	<u>PART NAME</u>	<u>QTY.</u>	<u>REMARKS</u>
1	C2231700403	TERMINAL PANEL	1.....	REPLACES P/N M5230700003
2	M9220100914	OUTPUT TERMINAL BOLT	8	
3	M9220101004	TIE BOLT	8	
4	0039320000	HEX. NUT	16	
5	030220510	WASHER, LOCK.....	24.....	REPLACES P/N 0040020000
6	0041420000	WASHER, FLAT	32	
7	M5233200004	TERMINAL PLATE	3	
8	0017110050	HEX. HEAD BOLT	5	
9	0601808803	CIRCUIT BREAKER, 1P 20A	2	
10	0601808804	CIRCUIT BREAKER, 2P 50A	3	
11	M4260600104	BRACKET, CIRCUIT BREAKER	1	
11-1	0222100150	RUBBER CUSHION	1	
12	011206020	HEX. HEAD BOLT.....	2.....	REPLACES P/N 0016906020
13	0601814013	RECEPTACLE, 20A	2	
14	0601814014	RECEPTACLE, 50A	3	
15	0027104015	MACHINE SCREW	10	
15A	OEMAA8	HEX. NUT	10.....	REPLACES P/N 0207004000
16	M4236400204	COVER	1	
17	011106015	HEX. HEAD BOLT.....	8.....	REPLACES P/N 0016906015
18	0601815194	TERMINAL BLOCK	1	
19	0027104015	MACHINE SCREW	2	
20	0601850275	GROMMET	1	
21	0603306775	BLIND PLUG	2	
22	M5237100003	TERMINAL COVER	1	
23	012212045	HEX. HEAD BOLT.....	4.....	REPLACES P/N 0010112045
24	031112230	WASHER, FLAT	12.....	REPLACES P/N 0041212000
25	0605050060	CONICAL LOCK WASHER	4	
26	0030012000	HEX. NUT	4	
27	M9210000204	SPRING	2	
28	M5236100204	COVER	1	
29	011008020	HEX. HEAD BOLT.....	7.....	REPLACES P/N 0016908020
30	M5237100104	TERMINAL COVER	1	
31	M4236100604	INSULATING COVER	1	
32	M4236400304	BRACKET	1	
33	011106015	HEX. HEAD BOLT.....	2.....	REPLACES P/N 0016906015
34	0027104015	MACHINE SCREW	4	
35	0019210025	HEX. HEAD BOLT	1	
35A	0040510000	TOOTHED WASHER	1	

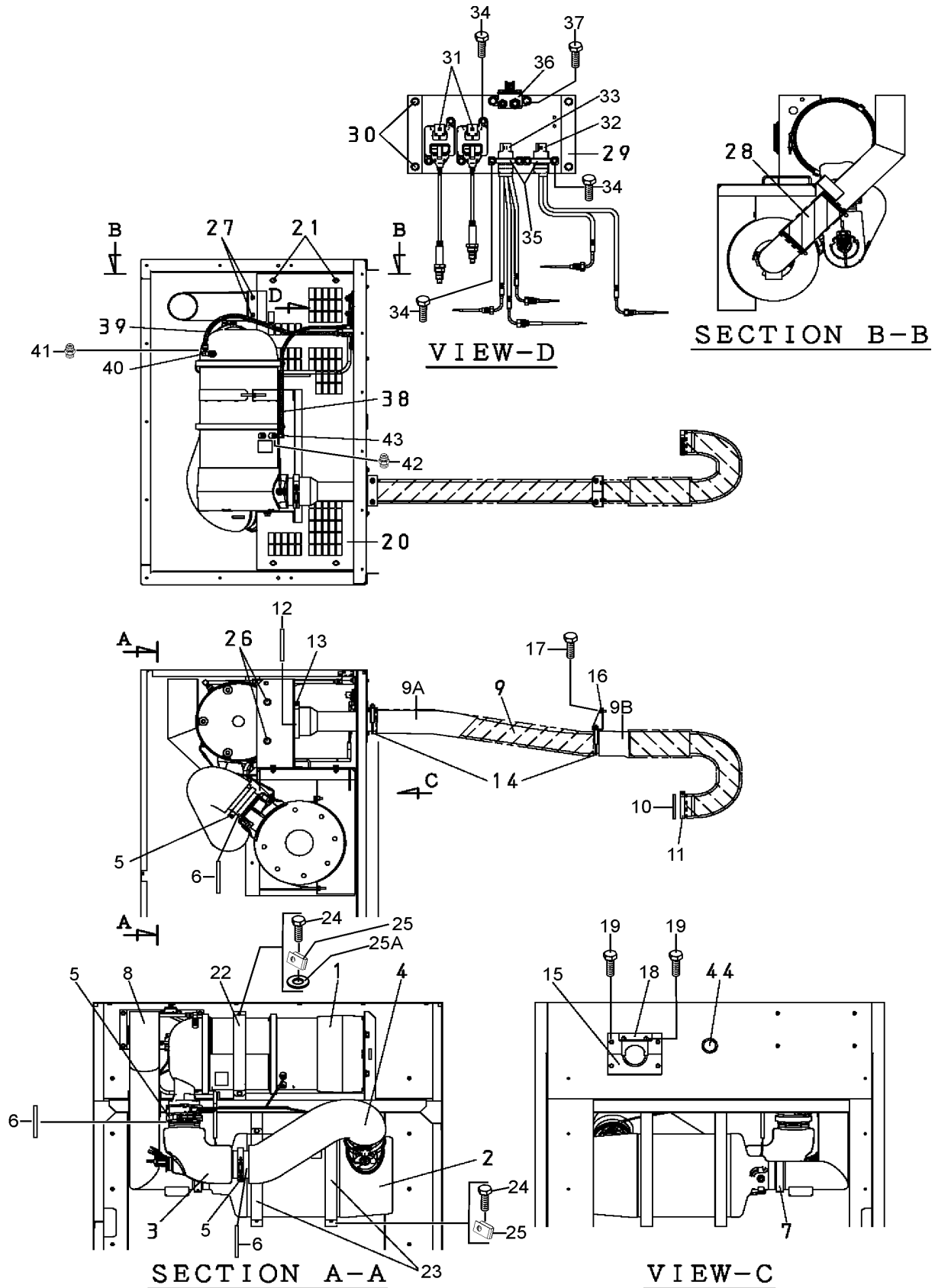
BATTERY ASSY.



BATTERY ASSY.

<u>NO.</u>	<u>PART NO.</u>	<u>PART NAME</u>	<u>QTY.</u>	<u>REMARKS</u>
1	Y0602220194	BATTERY	1	
2	M9103000504	BATTERY BAND	1	
3	0602220921	BATTERY BOLT SET	2.....	INCLUDES ITEMS W/\$
3A\$		WING NUT	2	
3B\$		PLASTIC WASHER	2	
4	M9310500404	BATTERY SHEET	1	
5	M3346900704	BATTERY CABLE	1	
6	M5347900404	BATTERY CABLE	1	
7	Y0010116030	HEX. HEAD BOLT	1	
7A	0040016000	WASHER, LOCK	1	
7B	0041216000	WASHER, FLAT	1	
7C	0040516000	TOOTHED WASHER	1	
8	011208025	HEX. HEAD BOLT	1.....	REPLACES P/N 0016908025
8A	0040508000	TOOTHED WASHER	1	
9		EARTH CABLE	1.....	MAKE LOCALLY

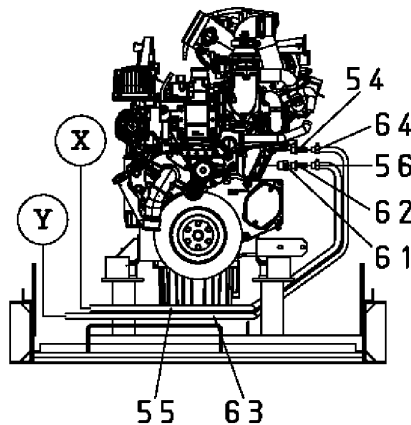
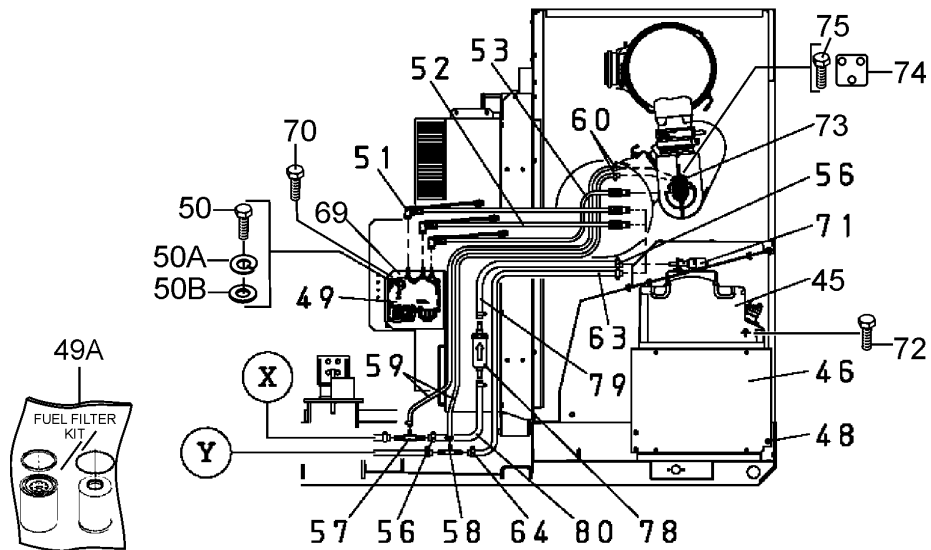
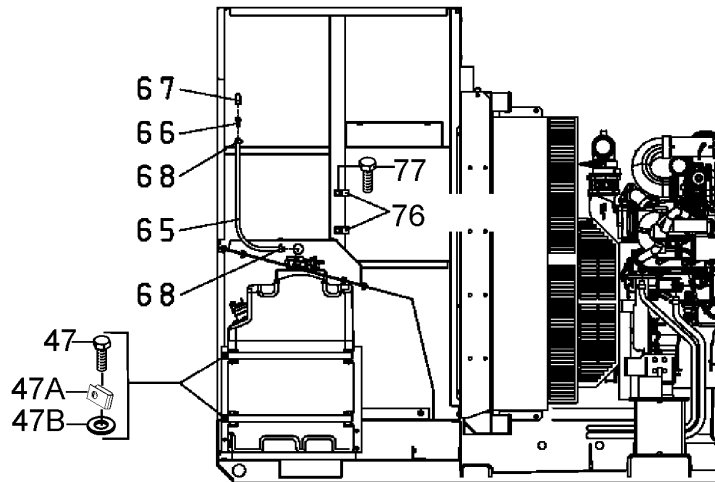
DIESEL PARTICULATE FILTER (DPF) ASSY.



DIESEL PARTICULATE FILTER (DPF) ASSY.

<u>NO.</u>	<u>PART NO.</u>	<u>PART NAME</u>	<u>QTY.</u>	<u>REMARKS</u>
1	RE554154	DIESEL PARTICULATE FILTER	1.....	REPLACES P/N Y0602330103
2	RE554142	SCR CATALYST	1.....	REPLACES P/N Y0602330301
3	RE565074	DECOMPOSITION TUBE	1.....	REPLACES P/N Y0602330403
4	RE557913	DECOMPOSITION EXT. TUBE.....	1.....	REPLACES P/N Y0602330415
5	RE540348	V-BAND CLAMP	3.....	REPLACES P/N Y0602325034
6	R529640	GASKET	3.....	REPLACES P/N Y0602320205
7	Y0602325026	PIPE BAND	1	
8	M5334100003	TAIL PIPE	1	
9	M5334000103	EXHAUST PIPE	1	
9A	Y0602311144	EXHAUST PIPE HEAT SHIELD	1	
9B	Y0602311145	EXHAUST PIPE HEAT SHIELD	1	
10	RE529510	GASKET	1.....	REPLACES P/N Y0602320204
11	RE304965	V-BAND CLAMP	1.....	REPLACES P/N Y0602325035
12	R529640	GASKET	1.....	REPLACES P/N Y0602320205
13	RE540348	V-BAND CLAMP	1.....	REPLACES P/N Y0602325034
14	0602326061	U-BOLT	2	
15	M5331400404	COVER, EXHAUST PIPE	1	
16	M5331400004	BRACKET, EXHAUST PIPE	1	
17	011008020	HEX. HEAD BOLT.....	2.....	REPLACES P/N 0016908020
18	M5331400504	BRACKET, EXHAUST PIPE	1	
19	011008020	HEX. HEAD BOLT.....	4.....	REPLACES P/N 0016908020
20	M5331200003	BRACKET, DPF & SCR	1	
21	0016910030	HEX. HEAD BOLT	4	
22	M5331400104	DPF BAND	1	
23	M5331400204	SCR BAND	2	
24	0016910030	HEX. HEAD BOLT	3	
25	21110120	U-NUT.....	3.....	REPLACES P/N 0037910000
25A	031110160	WASHER, FLAT	3.....	REPLACES P/N 0041210000
26	Y0010116030	HEX. HEAD BOLT	2	
26A	0040016000	WASHER, LOCK	2	
26B	0041216000	WASHER, FLAT	2	
27	011008020	HEX. HEAD BOLT.....	2.....	REPLACES P/N 0016908020
28	Y0400000800	EXHAUST INSULATING WRAP	1	
28A	0605515202	HOSE BAND	2	
29	M5331400304	BRACKET, SENSOR UNIT	1	
30	011008020	HEX. HEAD BOLT.....	4.....	REPLACES P/N 0016908020
31	RE552182	NOX SENSOR	2.....	REPLACES P/N Y0602330410
32	RE552186	SCR TEMP. SENSOR	1.....	REPLACES P/N Y0602330409
33	RE552185	DPF TEMP. SENSOR.....	1.....	REPLACES P/N Y0602330204
34	011106015	HEX. HEAD BOLT.....	8.....	REPLACES P/N 0016906015
35	RE542006	STRAP, TEMP. SENSOR	2.....	REPLACES P/N Y0602330205
36	RE538131	PRESSURE SENSOR.....	1.....	REPLACES P/N Y0602330203
37	011208030	HEX. HEAD BOLT.....	2.....	REPLACES P/N 0016908030
38	RE544013	FLEXIBLE LINE	1.....	REPLACES P/N Y0602330002
39	RE544012	FLEXIBLE LINE	1.....	REPLACES P/N Y0602330001
40	RE543081	JOINT.....	1.....	REPLACES P/N Y0602330201
41	Y0603306489	SWIVEL JOINT	1	
42	RE542003	JOINT.....	1.....	REPLACES P/N Y0602330200
43	Y0603306488	SWIVEL JOINT	1	
44	0601851736	GROMMET	1	

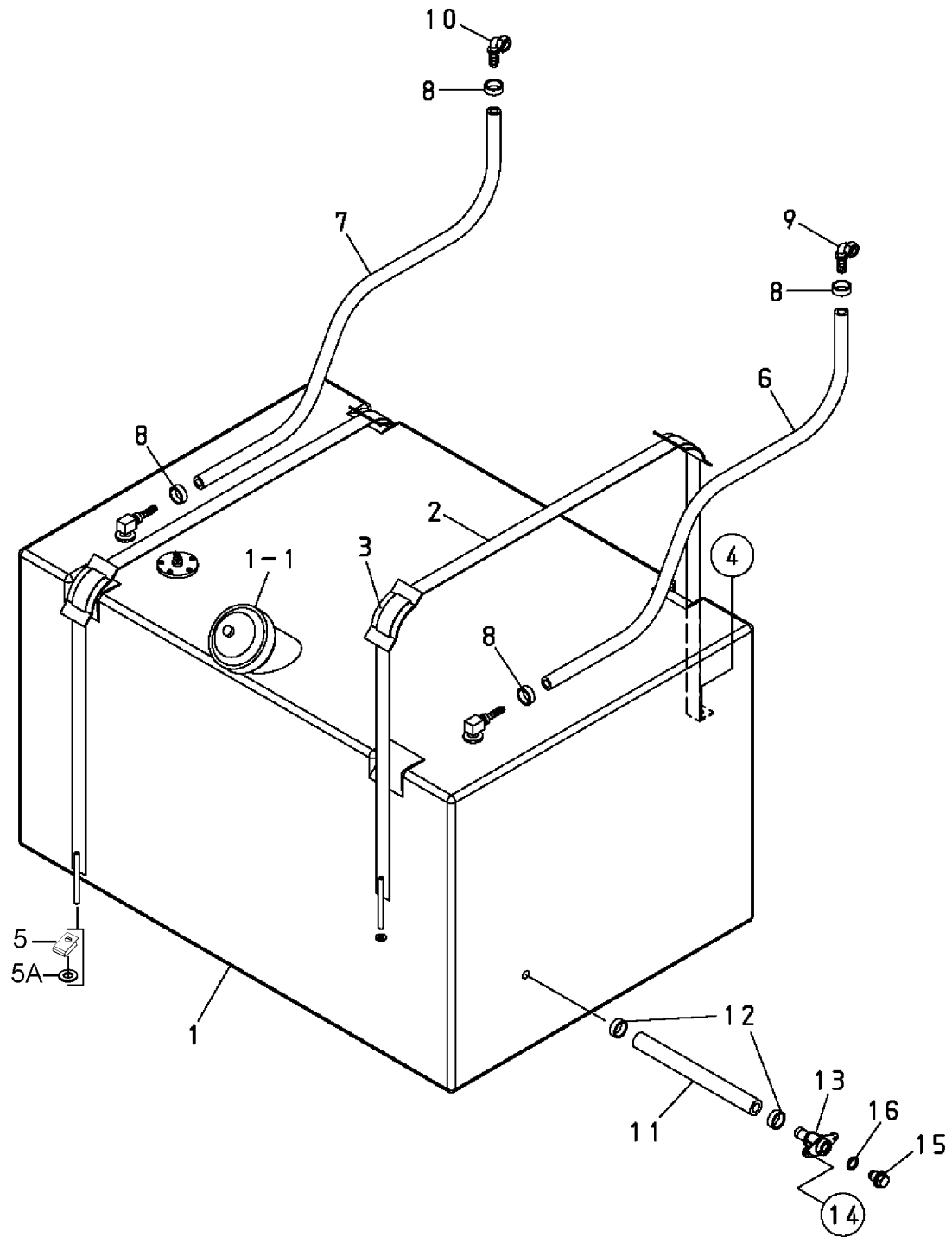
DIESEL ENGINE FLUID (DEF) TANK ASSY.



DIESEL ENGINE FLUID (DEF) TANK ASSY.

<u>NO.</u>	<u>PART NO.</u>	<u>PART NAME</u>	<u>QTY.</u>	<u>REMARKS</u>
45	RE558330	DEF TANK.....	1.....	REPLACES P/N Y0605500070
46	M5331400803	BRACKET DEF TANK	1	
47	0016908055	HEX. HEAD BOLT	2	
47A	020108060	U-NUT.....	2.....	REPLACES P/N 0037908000
47B	0401450080	WASHER, FLAT.....	2.....	REPLACES P/N 0041208000
48	011008020	HEX. HEAD BOLT.....	3.....	REPLACES P/N 0016908020
49	RE552175	DEF SUPPLY MODULE.....	1.....	REPLACES P/N Y0602330400
49A	RE554498	FILTER KIT.....	1.....	REPLACES P/N Y0602330414
50	Y0010108090	HEX. HEAD BOLT	3	
50A	0040008000	WASHER, LOCK	3	
50B	0401450080	WASHER, FLAT.....	3.....	REPLACES P/N 0041208000
51	RE560902	DEF SUCTION LINE.....	1.....	REPLACES P/N Y0602330411
52	RE560900	DEF BACKFLOW LINE.....	1.....	REPLACES P/N Y0602330412
53	RE560897	DEF PRESSURE LINE.....	1.....	REPLACES P/N Y0602330423
54	RE321504	HOSE BARB.....	1.....	REPLACES P/N Y0602022973
55	TY22328	COOLANT HOSE.....	1.....	REPLACES P/N Y0379201900
56	0605515198	HOSE BAND	6	
57	T317541	BLACK TEE-FITTING W/ORIFICE.....	1.....	REPLACES P/N Y0602022976
58	T296925	WHITE TEE-FITTING.....	1.....	REPLACES P/N Y0602022977
59	TY25141	COOLANT HOSE.....	2.....	REPLACES P/N Y0379302400
60	Y0605515340	HOSE BAND	4	
61	R257950	BUSHING.....	1.....	REPLACES P/N Y0602022590
62	AT377287	HOSE BARB.....	1.....	REPLACES P/N Y0602022975
63	TY22326	COOLANT HOSE.....	2.....	REPLACES P/N Y0379401950
64	0605515198	HOSE BAND	4	
65	0191301000	VENT HOSE	1	
66	H216170	DEF TANK VENT FITTING.....	1.....	REPLACES P/N Y0602330402
67	H216169	DEF TANK VENT FILTER.....	1.....	REPLACES P/N Y0602330401
68	Y0605515340	HOSE BAND	2	
69	M5334300104	SUPPLY MODULE BRACKET	1	
70	011008020	HEX. HEAD BOLT.....	2.....	REPLACES P/N 0016908020
71	RE560048	DEF HEADER.....	1.....	REPLACES P/N Y0602330408
72	011106015	HEX. HEAD BOLT.....	3.....	REPLACES P/N 0016906015
73	RE560468	DEF DOSING MODULE.....	1.....	REPLACES P/N Y0602330405
74	RE556879	GASKET.....	1.....	REPLACES P/N Y0602330406
75	R537624	HEX. HEAD BOLT.....	3.....	REPLACES P/N Y0602330407
76	0602220911	CLAMP	2	
77	0016910025	HEX. HEAD BOLT	2	
78	DZ100304	COOLANT FILTER.....	1.....	REPLACES P/N Y0602330416
79	TY22328????	COOLANT HOSE.....	1.....	REPLACES P/N Y0379201125
80	TY22328????	COOLANT HOSE.....	1.....	REPLACES P/N Y0379200550

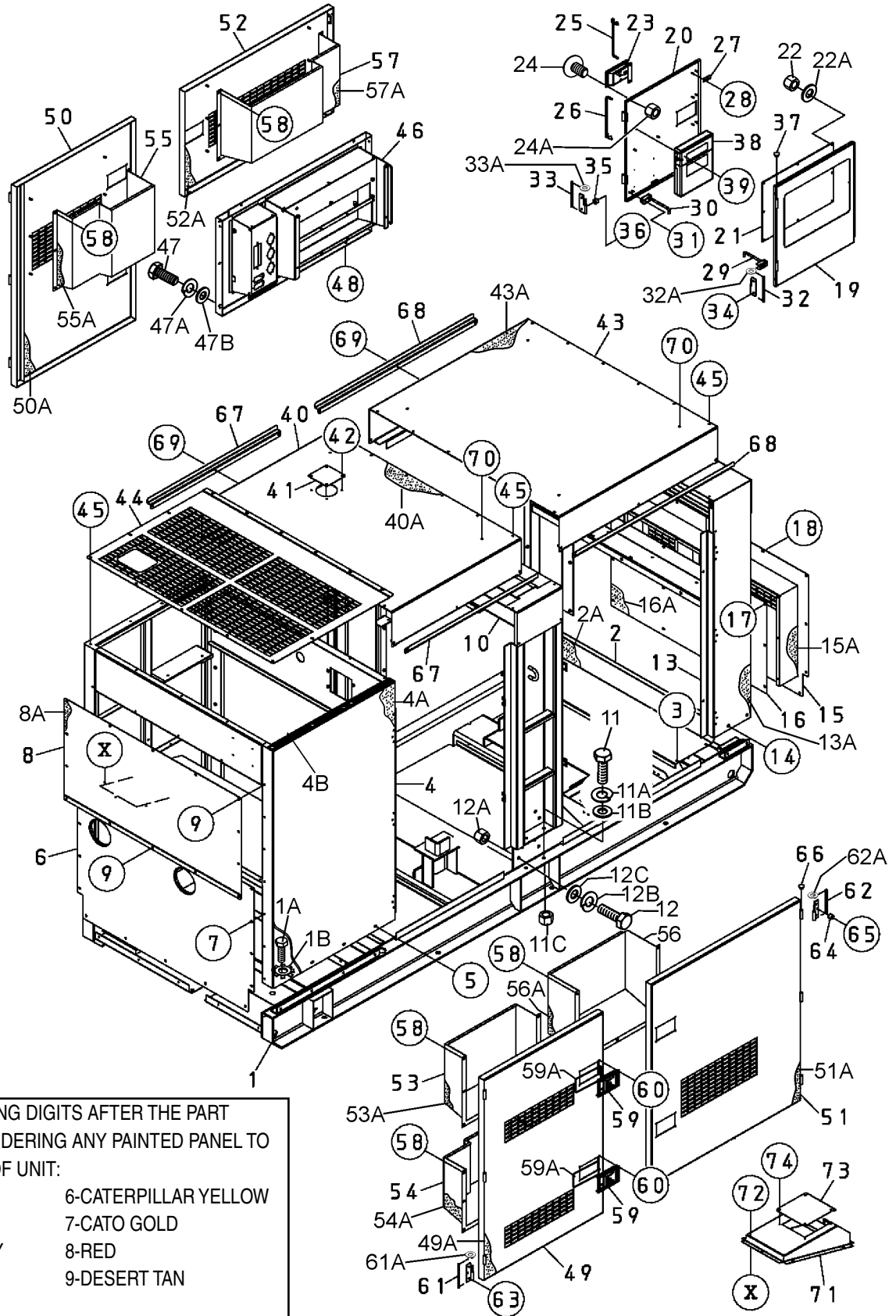
FUEL TANK ASSY.



FUEL TANK ASSY.

<u>NO.</u>	<u>PART NO.</u>	<u>PART NAME</u>	<u>QTY.</u>	<u>REMARKS</u>
1	M5364000103	FUEL TANK	1	
1-1	0605505070	FUEL TANK CAP	1	
2	M4363200104	TANK BAND	2	
3	M9310500104	SUPPORTER SHEET	4	
4	011008020	HEX. HEAD BOLT	2.....	REPLACES P/N 0016908020
5	020108060	U-NUT	2.....	REPLACES P/N 0037908000
5A	0401450080	WASHER, FLAT	2.....	REPLACES P/N 0041208000
6	Y0191404200	SUCTION HOSE	1	
7	Y0191402750	RETURN HOSE	1	
8	0605515198	HOSE BAND	4	
9	AT421541	HOSE JOINT	1.....	REPLACES P/N Y0605512500
10	R505357	HOSE JOINT	1.....	REPLACES P/N Y0605512501
11	Y0191500190	DRAIN HOSE	1	
12	0605515198	HOSE BAND	2	
13	1502025103C	DRAIN JOINT	1.....	REPLACES P/N M9200000003
14	011206020	HEX. HEAD BOLT	2.....	REPLACES P/N 0016906020
15	0802011104	DRAIN BOLT	1.....	REPLACES P/N M9200200004
16	0150000018	O-RING	1	

ENCLOSURE ASSY.



ADD THE FOLLOWING DIGITS AFTER THE PART NUMBER WHEN ORDERING ANY PAINTED PANEL TO INDICATE COLOR OF UNIT:

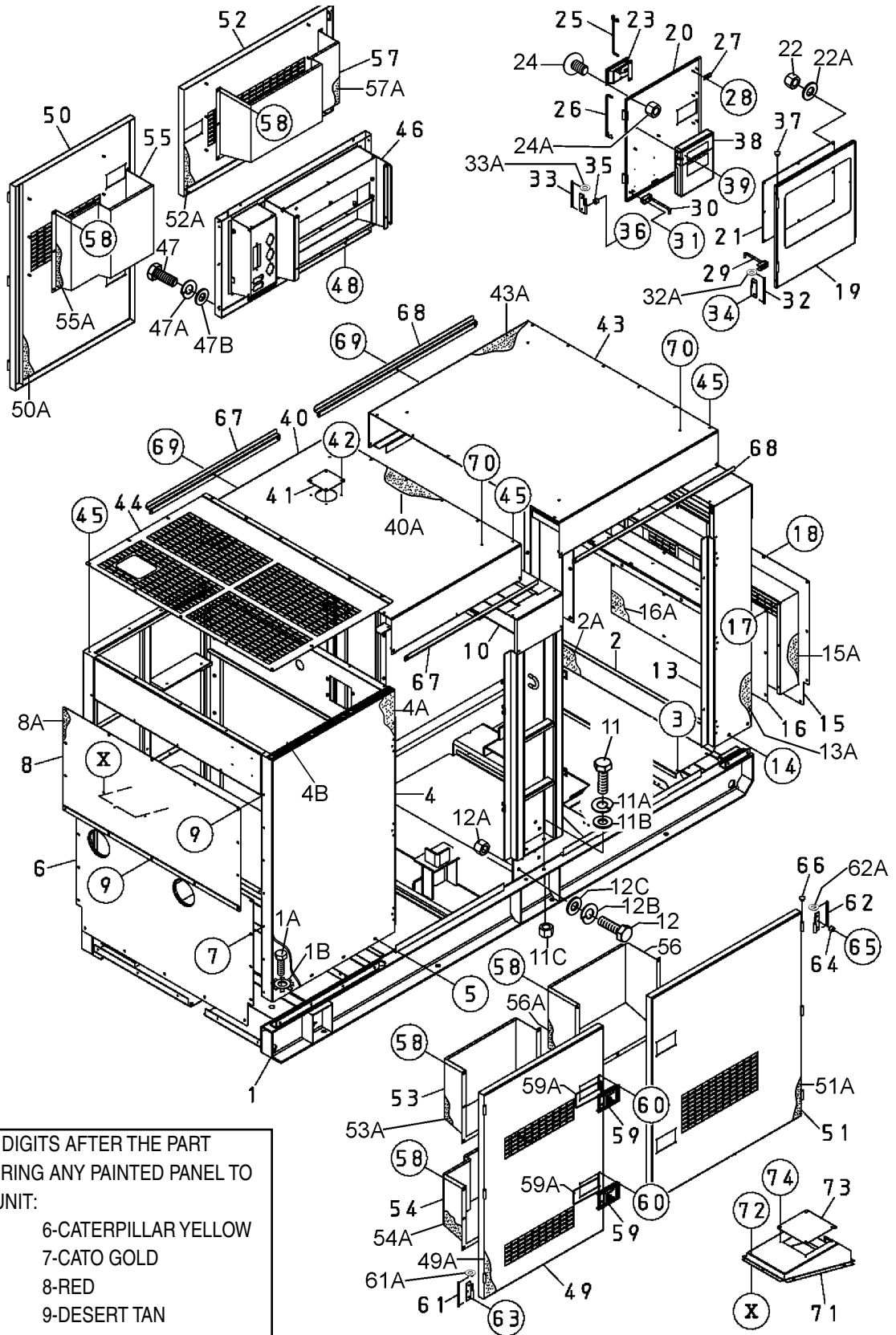
- | | |
|-----------------|----------------------|
| 1-ORANGE | 6-CATERPILLAR YELLOW |
| 2-WHITE | 7-CATO GOLD |
| 3-SPECTRUM GREY | 8-RED |
| 4-SUNBELT GREEN | 9-DESERT TAN |
| 5-BLACK | |

THE SERIAL NUMBER MAY BE REQUIRED.

ENCLOSURE ASSY.

<u>NO.</u>	<u>PART NO.</u>	<u>PART NAME</u>	<u>QTY.</u>	<u>REMARKS</u>
1	M5414000202	BASE	1	
1A	011008020	HEX. HEAD BOLT.....	1.....	REPLACES P/N 0016908020
1B	0040508000	TOOTHED WASHER	1	
2	M5414600004	DUCT	1	
2A	M5494000004	ACOUSTIC SHEET	1	
3	011008020	HEX. HEAD BOLT.....	4.....	REPLACES P/N 0016908020
4	M5424000802	FRONT FRAME	1	
4A	M5494102303	ACOUSTIC SHEET	1	
4B	Y0330000220	SEAL RUBBER	1	
5	0019210025	HEX. HEAD BOLT	8	
6	M5424201403	COVER, FRONT FRAME	1	
7	0019208020	HEX. HEAD BOLT	11	
8	M5424201503	COVER, FRONT FRAME	1	
8A	M5494102404	ACOUSTIC SHEET	3	
9	0019208020	HEX. HEAD BOLT	14	
10	M5434000102	CENTER FRAME	1	
11	0010114050	HEX. HEAD BOLT	4	
11A	515455840	HEX. NUT	4.....	REPLACES P/N 0030014000
11B	030214350	WASHER, LOCK.....	4.....	REPLACES P/N 0040014000
11C	031114260	WASHER, FLAT	8.....	REPLACES P/N 0041214000
12	0010114040	HEX. HEAD BOLT	8	
12A	515455840	HEX. NUT	8.....	REPLACES P/N 0030014000
12B	030214350	WASHER, LOCK.....	8.....	REPLACES P/N 0040014000
12C	031114260	WASHER, FLAT	16.....	REPLACES P/N 0041214000
13	M5444000102	REAR FRAME	1	
13A	M5493300904	ACOUSTIC SHEET	2	
14	0019210025	HEX. HEAD BOLT	4	
15	M5444300003	COVER, REAR FRAME	1	
15A	M5494301004	ACOUSTIC SHEET	1	
16	M5444300104	PLATE	1	
16A	M5494301104	ACOUSTIC SHEET	3	
17	011008020	HEX. HEAD BOLT.....	12.....	REPLACES P/N 0016908020
18	0019208020	HEX. HEAD BOLT	14	
19	M5443200203	DOOR, REAR FRAME	1	
20	M5453000903	DOOR, REAR FRAME.....	1.....	REPLACES P/N M5453000103
21	M4443600004	WINDOW PLATE	1	
22	020106050	SUPER LOCK NUT	6.....	REPLACES P/N 0207306000
22A	952404470	WASHER, FLAT	6.....	REPLACES P/N 0041206000
23	B9114000102	DOOR HANDLE.....	1.....	REPLACES P/N M9113000202
24	0021806016	MACHINE SCREW	4	
24A	020106050	HEX. NUT	4.....	REPLACES P/N 0030006000
25	C3444700004	DOOR ROD	1.....	REPLACES P/N M9114300004
26	819514304	DOOR ROD	1.....	REPLACES P/N M9114300104
27	M9113300004	STAY	4	
28	0176060030	SELF-LOCKING NUT	8.....	REPLACES P/N 0207006000

ENCLOSURE ASSY. (CONTINUED)



ADD THE FOLLOWING DIGITS AFTER THE PART NUMBER WHEN ORDERING ANY PAINTED PANEL TO INDICATE COLOR OF UNIT:

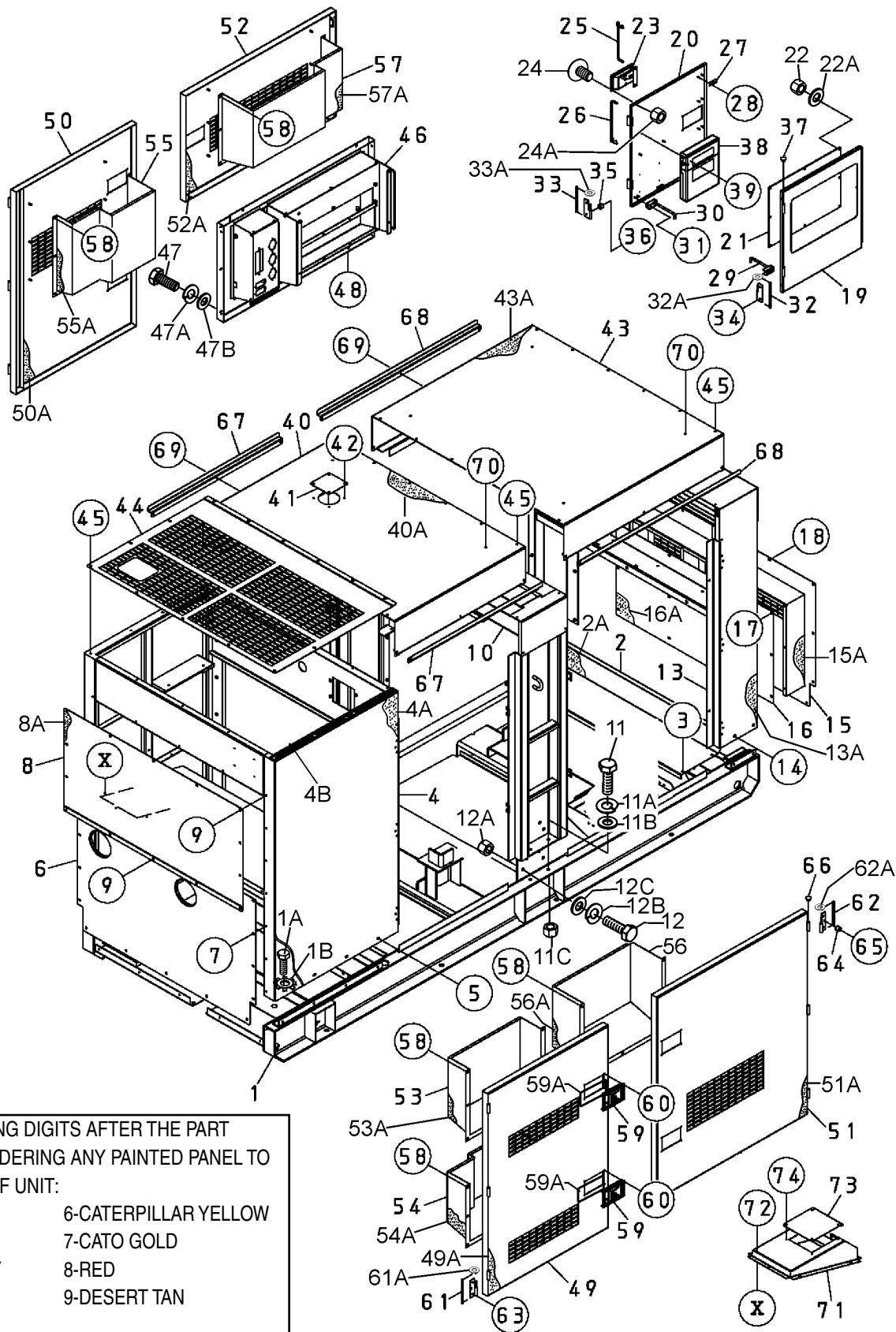
1-ORANGE	6-CATERPILLAR YELLOW
2-WHITE	7-CATO GOLD
3-SPECTRUM GREY	8-RED
4-SUNBELT GREEN	9-DESERT TAN
5-BLACK	

THE SERIAL NUMBER MAY BE REQUIRED.

ENCLOSURE ASSY. (CONTINUED)

<u>NO.</u>	<u>PART NO.</u>	<u>PART NAME</u>	<u>QTY.</u>	<u>REMARKS</u>
29	M9113400104	STOPPER, DOOR	1	
30	M9113400204	STOPPER, DOOR	1	
31	0176060030	SELF-LOCKING NUT	4	REPLACES P/N 0207006000
32	M9110100204	HINGE	2	
32A	M9116100004	WASHER	2	
33	M9110100304	HINGE	2	
33A	M9116100004	WASHER	2	
34	0019208020	HEX. HEAD BOLT	6	
35	0601850097	STOPPER	2	
36	0027208025	MACHINE SCREW	2	
37	0845031504	BLIND PLUG.....	4	REPLACES P/N M9310000004
38	0600800320	MANUAL PAK	1	
39	0176060030	SELF-LOCKING NUT	4	REPLACES P/N 0207006000
40	M5464100202	ROOF PANEL	1	
40A	M5494501504	ACOUSTIC SHEET	1	
41	M3310600004	COVER	1	
42	0019208020	HEX. HEAD BOLT	4	
43	M5464200102	ROOF PANEL	1	
43A	M5494501604	ACOUSTIC SHEET	1	
44	M5424201603	OVER COVER, FRONT FRAME	1	
45	0019208020	HEX. HEAD BOLT	33	
46	M5454200202	SPLASHER PANEL	1	
47	0019108065	HEX. HEAD BOLT	6	
47A	0042308000	WASHER, LOCK	6	
47B	0401450080	WASHER, FLAT	6	REPLACES P/N 0042408000
48	Y0016910025	HEX. HEAD BOLT	1	
48	0016910025	HEX. HEAD BOLT	1	
49	M5454000303	SIDE DOOR	1	
49A	M5494405604	ACOUSTIC SHEET	1	
50	M5454000403	SIDE DOOR	1	
50A	M5494405704	ACOUSTIC SHEET	1	
51	M5454000603	SIDE DOOR	1	
51A	M5494405804	ACOUSTIC SHEET	1	
52	M5454000503	SIDE DOOR	1	
52A	M5494405904	ACOUSTIC SHEET	1	
53	M5454300404	DUCT	1	
53A	M5494406004	ACOUSTIC SHEET	1	
54	M5454300504	DUCT	1	
54A	M5494406104	ACOUSTIC SHEET	1	
55	M5454300604	DUCT	1	
55A	M5494406204	ACOUSTIC SHEET	1	
56	M5454300704	DUCT	1	
56A	M5494406304	ACOUSTIC SHEET	1	

ENCLOSURE ASSY. (CONTINUED)



ADD THE FOLLOWING DIGITS AFTER THE PART NUMBER WHEN ORDERING ANY PAINTED PANEL TO INDICATE COLOR OF UNIT:

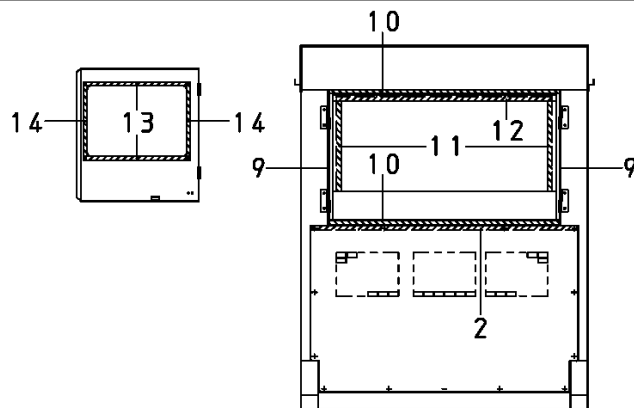
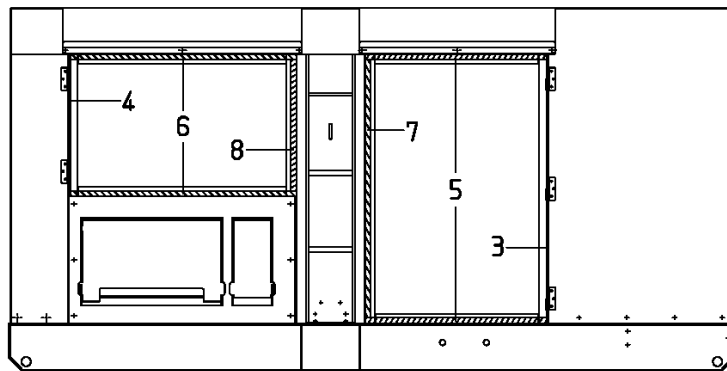
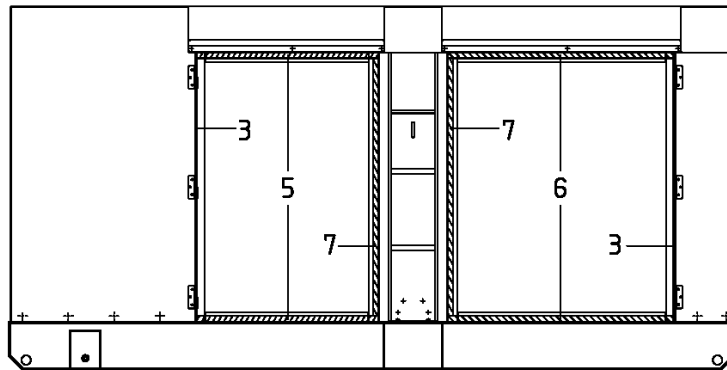
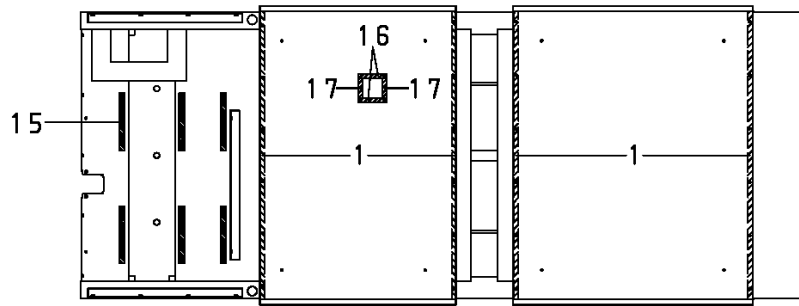
1-ORANGE	6-CATERPILLAR YELLOW
2-WHITE	7-CATO GOLD
3-SPECTRUM GREY	8-RED
4-SUNBELT GREEN	9-DESERT TAN
5-BLACK	

THE SERIAL NUMBER MAY BE REQUIRED.

ENCLOSURE ASSY. (CONTINUED)

<u>NO.</u>	<u>PART NO.</u>	<u>PART NAME</u>	<u>QTY.</u>	<u>REMARKS</u>
57	M5454300804	DUCT	1	
57A	M5494406404	ACOUSTIC SHEET	1	
58	020108060	SELF-LOCKING NUT	35	REPLACES P/N 0207008000
59	Y0605012309	DOOR HANDLE	7	
59A	C9312500004	SEAL RUBBER	7	
60	0176060030	SELF-LOCKING NUT	28	REPLACES P/N 0207006000
61	0845046904	HINGE.....	5	REPLACES P/N M9110100804
61A	M9116100004	WASHER	5	
62	0845047004	HINGE.....	6	REPLACES P/N M9110100904
62A	M9116100004	WASHER	6	
63	0019208020	HEX. HEAD BOLT	25	
64	0601850097	STOPPER	8	
65	0027208025	MACHINE SCREW	8	
66	0845031504	BLIND PLUG.....	11	REPLACES P/N M9310000004
67	M5464500204	GUTTER	2	
68	M5464500304	GUTTER	2	
69	0019208020	HEX. HEAD BOLT	12	
70	0019210025	HEX. HEAD BOLT	8	
71	M5424700103	DEF TANK COVER	1	
72	011008020	HEX. HEAD BOLT	6	REPLACES P/N 0016908020
73	M3424700104	DEF TANK COVER	1	
74	011206020	HEX. HEAD BOLT	4	REPLACES P/N 0016906020

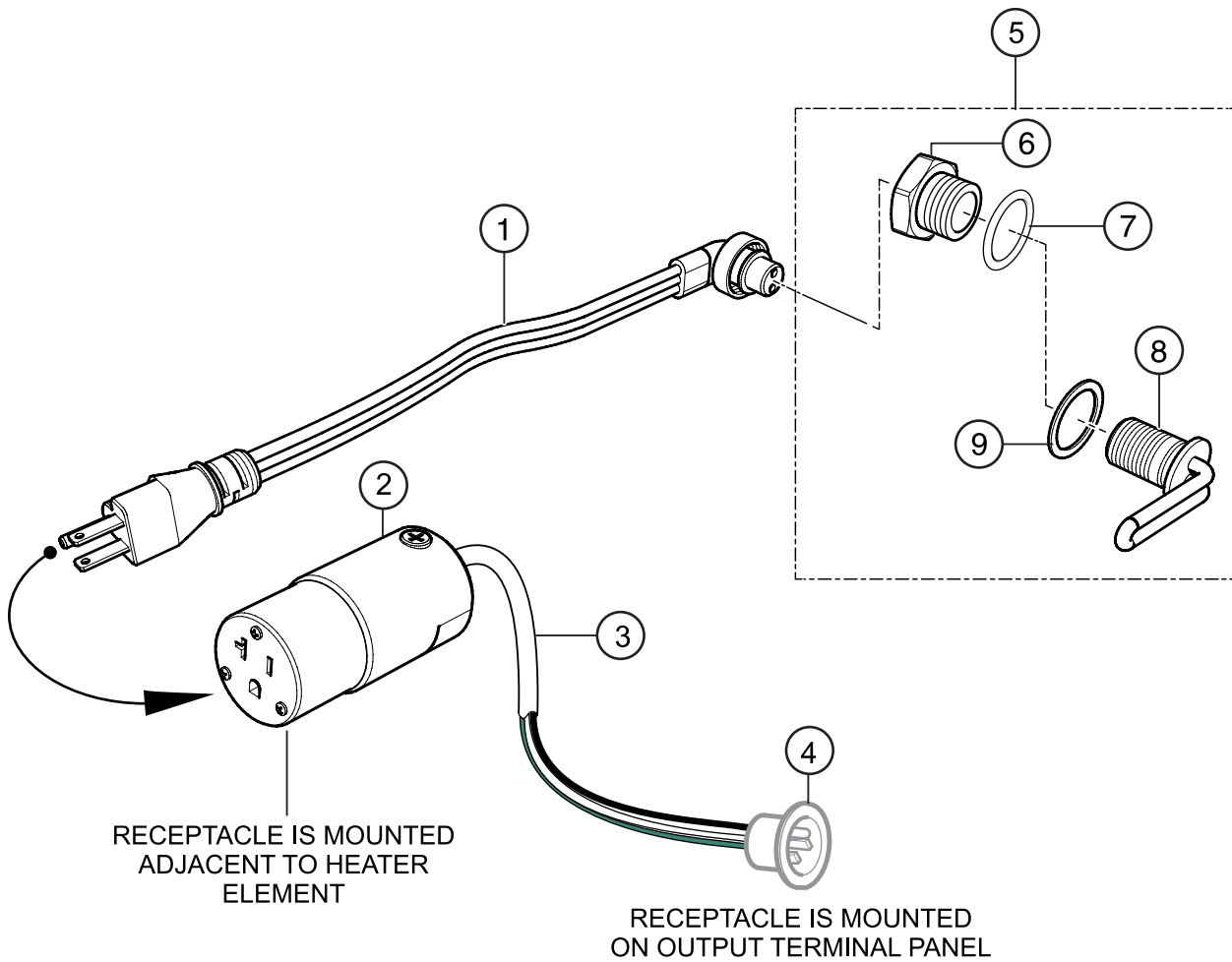
RUBBER SEALS ASSY.



RUBBER SEALS ASSY.

<u>NO.</u>	<u>PART NO.</u>	<u>PART NAME</u>	<u>QTY.</u>	<u>REMARKS</u>
1	Y0229201500	SEAL RUBBER	4	
2	0229201400	SEAL RUBBER	1	
3	0228901410	SEAL RUBBER	3	
4	0228900745	SEAL RUBBER	1	
5	Y0228900950	SEAL RUBBER	4	
6	Y0228901185	SEAL RUBBER	4	
7	0228901350	SEAL RUBBER	3	
8	Y0228900685	SEAL RUBBER	1	
9	Y0229400705	SEAL RUBBER	2	
10	0228801210	SEAL RUBBER	2	
11	0229200470	SEAL RUBBER	2	
12	0229201130	SEAL RUBBER	1	
13	0228100560	SEAL RUBBER	2	
14	0228100370	SEAL RUBBER	2	
15	0222100300	RUBBER SHEET	6	
16	Y0229200145	SEAL RUBBER	2	
17	Y0229200100	SEAL RUBBER	2	

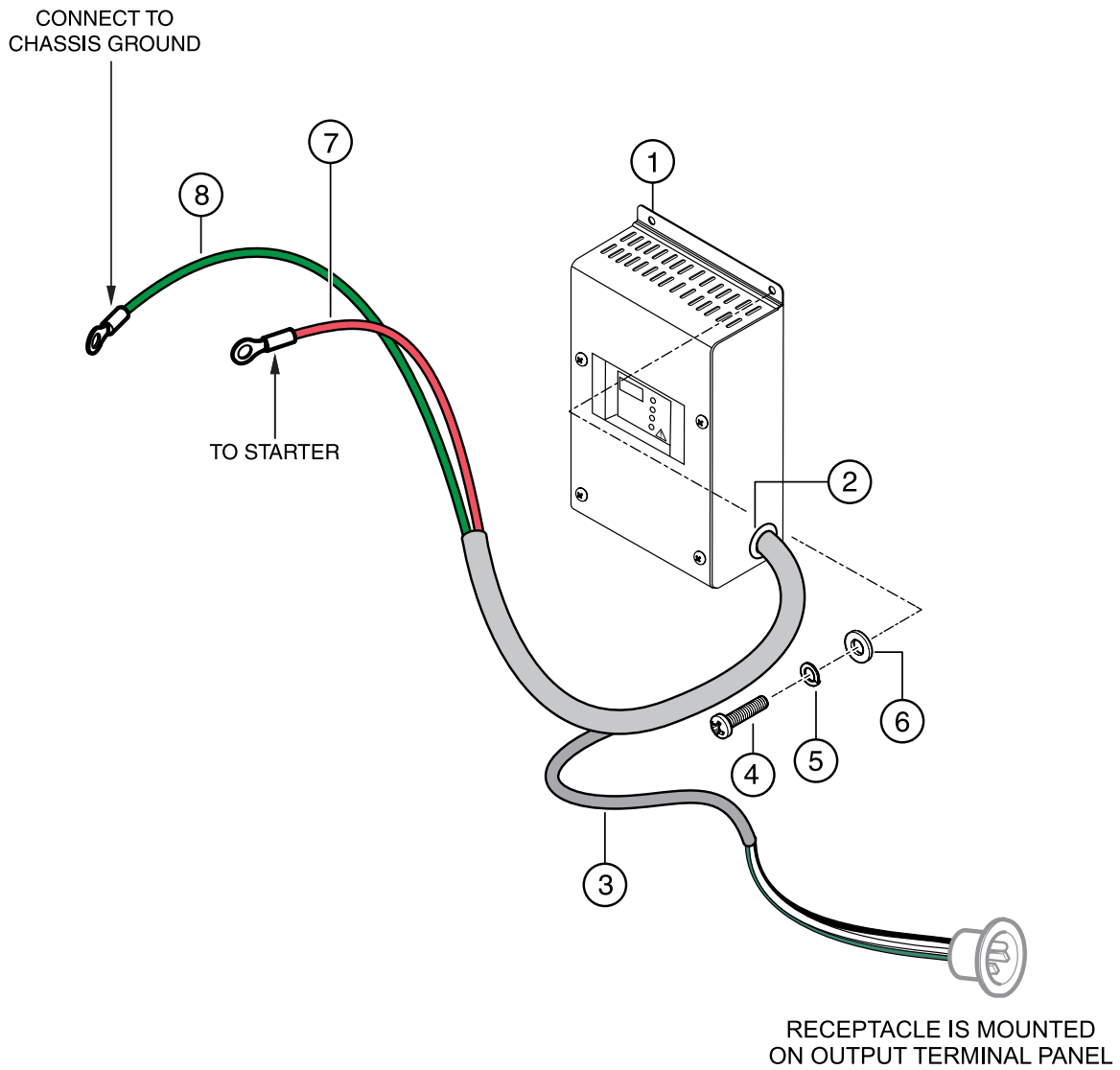
WATER HEATING ELEMENT ASSY. (OPTION)



WATER HEATING ELEMENT ASSY. (OPTION)

<u>NO.</u>	<u>PART NO.</u>	<u>PART NAME</u>	<u>QTY.</u>	<u>REMARKS</u>
1	AR50411	CORD ASSY., 110 VOLTS	1	
2	HBL5369C	CONNECTOR, 20 AMP, 125V	1	
3	EE56557	CORD, CAROL 3/C 14 AWG	10.....	1PC=1FT
4	HBL5278C	INLET FLANGE RECEPTACLE, 15AMP, 125V	1	
5	EE54798	KIT, 110 VOLT, COOLANT HEATER.....	1.....	INCLUDES ITEMS W/ \$
6\$	R54123	ADAPTER	1	
7\$	U13639	O-RING	1	
8\$	RE42139	HEATER ELEMENT, 1000 WATT	1	
9\$	R206883	GASKET	1	

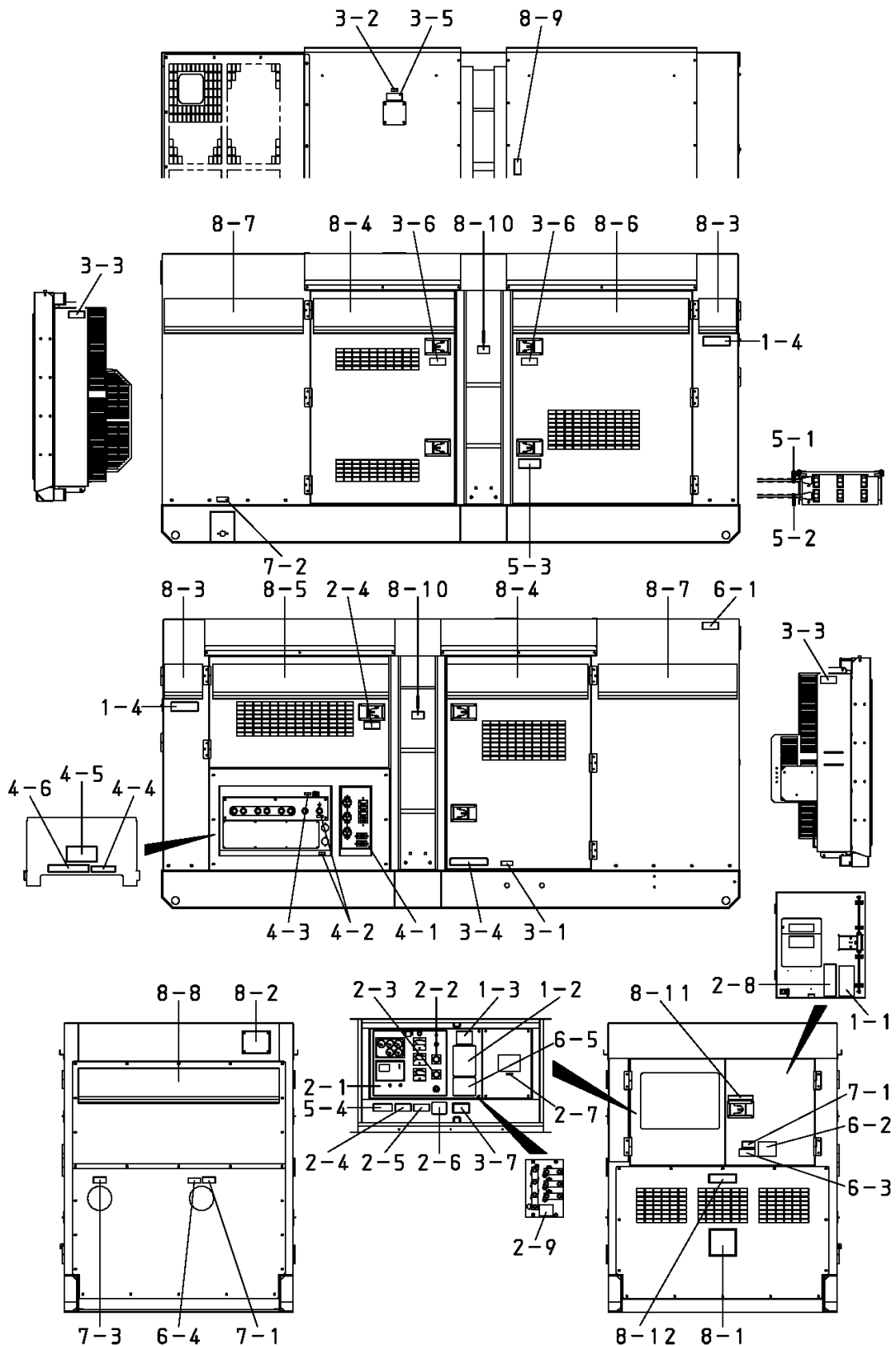
BATTERY CHARGER ASSY. (OPTION)



BATTERY CHARGER ASSY. (OPTION)

<u>NO.</u>	<u>PART NO.</u>	<u>PART NAME</u>	<u>QTY.</u>	<u>REMARKS</u>
1	EE57370	CHARGER BATTERY, 10 AMP 12/24V	1	
2		GROMMET, 7/8" HOLE SIZE	1	OBTAIN LOCALLY
3	EE56557	CORD, 3-CONDUCTOR, 14 AWG	6 FT.	1PC=1FT
4		SCREW, M4X10	4	OBTAIN LOCALLY
5		WASHER, LOCK M4.....	4	OBTAIN LOCALLY
6		WASHER, FLAT M4.....	4	OBTAIN LOCALLY
7		WIRE, 16GA, RED	9 FT.	OBTAIN LOCALLY
8		WIRE, 16GA, GREEN.....	9 FT.	OBTAIN LOCALLY

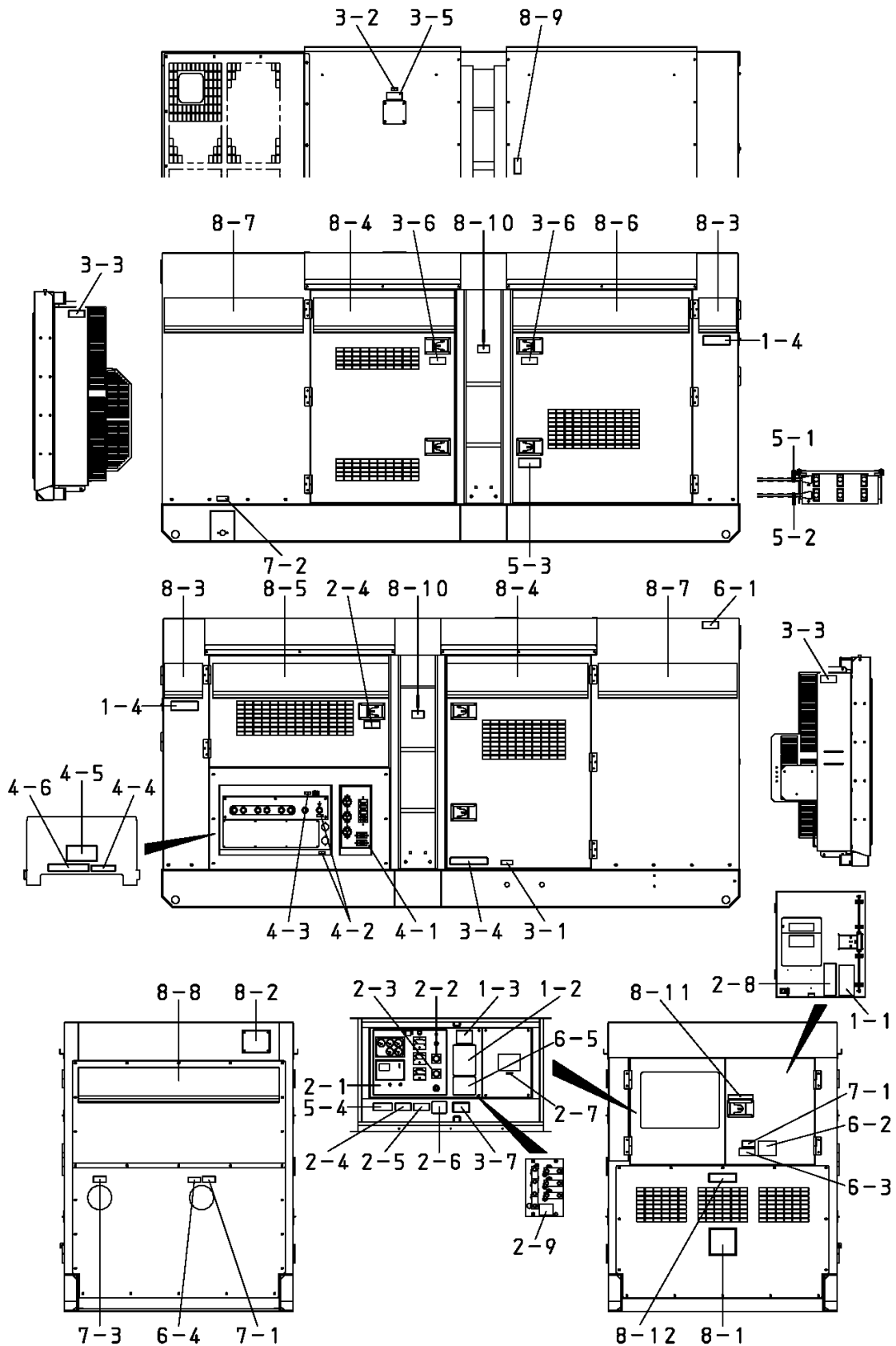
NAMEPLATE AND DECALS ASSY.



NAMEPLATE AND DECALS ASSY.

NO.	PART NO.	PART NAME	QTY.	REMARKS
1-1	M3551000103	DECAL: OPERATING PROCEDURES	1.....	M35100010
1-2	M3551000303	DECAL: DPF REGENERATION PROCED.....	1.....	M35100030
1-3	M9520100304	DECAL: GENERAL CAUTIONS.....	1.....	M92010030
1-4	M9520100603	DECAL: WARNING AUTO START	2.....	M92010060
CONTROL PANEL AND BOX GROUP				
2-1	M5551000502	DECAL: CONTROL PANEL	1.....	M55100050
2-2	M9520000104	PLATE: AMMETER CHANGE-OVER SW.	1.....	M92000010
2-3	M9520000204	PLATE: VOLTMETER CHANGE-OVER SW.....	1.....	M92000020
2-4	M9520100004	DECAL: WARNING: ELEC. SHOCK HAZ.	2.....	M92010000
2-5	M9520100704	DECAL: WARNING: ARC FLASH.....	1.....	M92010070
2-6	M9520200404	DECAL: OVER CURRENT RELAY	1.....	M92020040
2-7	M9522000504	DECAL: CIRCUIT BREAKER	1.....	M92200050
2-8	M9520200303	DECAL: SETTING FOR OUTPUT VOLT.....	1.....	M92020030
2-9	M9520200504	DECAL: SETTING FOR OUTPUT VOLT (S)....	1.....	M92020050
ENGINE & RADIATOR GROUP				
3-1	M9500000004	DECAL: OIL DRAIN PLUG	1.....	M90000000
3-2	M9500100004	DECAL: WATER.....	1.....	M90010000
3-3	M9503000004	DECAL: WARNING: ROTATING PART.....	2.....	M90300000
3-4	M9503000103	DECAL: WATER-OIL CHECK	1.....	M90300010
3-5	M9503100004	DECAL: WARNING: RADIATOR CAP	1.....	M90310000
3-6	M9510100004	DECAL: CAUTION: HIGH TEMPERATURE.....	2.....	M91010000
3-7	Y0602050118	DIESELMATIC DASH LABEL	1.....	KBI130492
OUTPUT TERMINAL GROUP				
4-1	M4550000103	DECAL: AUXIARY OUTPUTS	1.....	M45000010
4-2	M9520000004	DECAL: GROUNDING.....	2.....	M92000000
4-3	M9520000504	DECAL: START CONTACT	1.....	M92000050
4-4	M9520000704	DECAL: 3-PHASE OUTPUT TERMINAL.....	1.....	M92000070
4-5	M9520100404	DECAL: DANGER: HIGH VOLTAGE	1.....	M92010040
4-6	M9520100503	DECAL: WARNING	1.....	M92010050
BATTERY GROUP				
5-1	M9500300004	DECAL: -	1.....	M90030000
5-2	M9500300104	DECAL: +	1.....	M90030010
5-3	M9510100403	DECAL: WARNING: BATTERY CONNECT	1.....	M91010040
5-4	M9501300004	DECAL: CAUTION: BATTERY CABLES	1.....	M90130000

NAMEPLATE AND DECALS ASSY. (CONT.)



NAMEPLATE AND DECALS ASSY. (CONT.)

<u>NO.</u>	<u>PART NO.</u>	<u>PART NAME</u>	<u>QTY.</u>	<u>REMARKS</u>
MUFFLER GROUP				
6-1	M9503200004	DECAL: WARNING: EXHAUST GAS.....	1.....	M90320000
6-2	M9503200104	DECAL: DANGER: EXHAUST GAS (INDOOR).1.....	1.....	M90320010
6-3	920214100	DECAL: WARNING: START FIRES	1.....	REPLACES P/N M9504200004 M90420000
6-4	M9504500004	DECAL: REFILL DEF AS WELL	1.....	M90450000
6-5	M3551000603	DECAL: SCR INDICATOR	1.....	M35100060
FUEL TANK GROUP				
7-1	M9501500004	DECAL: DIESEL FUEL	2.....	M90150000
7-2	M9500500104	DECAL: FUEL DRAIN PLUG.....	1.....	M90050010
7-3	M9501500104	DECAL: DIESEL EXHAUST FLUID	1.....	M90150010
ENCLOSURE GROUP				
8-1	M9511200204	DECAL: MQ	1.....	M91120020
8-2	0600500092	EMBLEM	1	
	0021106015	MACHINE SCREW	4	
8-3	M5560100104	STRIPE	2	
8-4	M5561100603	STRIPE	2	
8-5	M5561100703	STRIPE	1	
8-6	M5561100803	STRIPE	1	
8-7	M5561100903	STRIPE	2	
8-8	M5560102103	STRIPE	1	
8-9	M5550000004	DECAL: CAUTION: LIFTING CAP	1.....	M55000000
8-10	M9512000004	DECAL: SUPPORT HOOK	2.....	M91200000
8-11	M9510000104	DECAL: DOCUMENT BOX LOCATED	1.....	M91000010
8-12	M9511200103	DECAL: TIER4F	1.....	M91120010