

PARTS MANUAL



**WHISPERWATT SERIES
MODEL DCA180SSJU4F
60HZ GENERATOR
(JOHN DEERE 6068HFG05 DIESEL ENGINE)**

PARTS LIST NO. M3871300604, M3871300604B

Revision #0 (09/16/20)



THIS MANUAL MUST ACCOMPANY THE EQUIPMENT AT ALL TIMES.

DCA180SSJU4F 60Hz Generator

Table Of Contents	2
Explanation Of Code In Remarks Column.....	4
Suggested Spare Parts	5

Component Drawings

Generator Assembly	6–7
Control Panel Assembly	8–9
Control Box Assembly	10–13
Engine And Radiator Assembly.....	14–17
Output Terminal Assembly.....	18–21
Battery Assembly.....	22–23
Muffler Assembly	24–25
DEF Tank Assembly	26–29
Fuel Tank Assembly.....	30–31
Enclosure 1 Assembly	32–37
Enclosure 2 Assembly	38–39
Rubber Seals Assembly	40–41
Battery Charger Assembly (Option).....	42–43
Water Heating Element Assembly (Option)	44–45
Power Balance Assembly	46–49
Nameplate And Decals Assembly	50–53

NOTICE

Specifications and part numbers are subject to change without notice.

EXPLANATION OF CODE IN REMARKS COLUMN

The following section explains the different symbols and remarks used in the Parts section of this manual. Use the help numbers found on the back page of the manual if there are any questions.

NOTICE

The contents and part numbers listed in the parts section are subject to change **without notice**. Multiquip does not guarantee the availability of the parts listed.

SAMPLE PARTS LIST

NO.	PART NO.	PART NAME	QTY.	REMARKS
1	12345	BOLT	1	INCLUDES ITEMS W/%
2%		WASHER, 1/4 IN.		NOT SOLD SEPARATELY
2%	12347	WASHER, 3/8 IN. ...	1	MQ-45T ONLY
3	12348	HOSE	A/R	MAKE LOCALLY
4	12349	BEARING	1	S/N 2345B AND ABOVE

NO. Column

Unique Symbols — All items with same unique symbol (@, #, +, %, or >) in the number column belong to the same assembly or kit, which is indicated by a note in the “Remarks” column.

Duplicate Item Numbers — Duplicate numbers indicate multiple part numbers, which are in effect for the same general item, such as different size saw blade guards in use or a part that has been updated on newer versions of the same machine.

NOTICE

When ordering a part that has more than one item number listed, check the remarks column for help in determining the proper part to order.

PART NO. Column

Numbers Used — Part numbers can be indicated by a number, a blank entry, or TBD.

TBD (To Be Determined) is generally used to show a part that has not been assigned a formal part number at the time of publication.

A blank entry generally indicates that the item is not sold separately or is not sold by Multiquip. Other entries will be clarified in the “Remarks” Column.

QTY. Column

Numbers Used — Item quantity can be indicated by a number, a blank entry, or A/R.

A/R (As Required) is generally used for hoses or other parts that are sold in bulk and cut to length.

A blank entry generally indicates that the item is not sold separately. Other entries will be clarified in the “Remarks” Column.

REMARKS Column

Some of the most common notes found in the “Remarks” Column are listed below. Other additional notes needed to describe the item can also be shown.

Assembly/Kit — All items on the parts list with the same unique symbol will be included when this item is purchased.

Indicated by:

“INCLUDES ITEMS W/(unique symbol)”

Serial Number Break — Used to list an effective serial number range where a particular part is used.

Indicated by:

“S/N XXXXX AND BELOW”

“S/N XXXX AND ABOVE”

“S/N XXXX TO S/N XXX”

Specific Model Number Use — Indicates that the part is used only with the specific model number or model number variant listed. It can also be used to show a part is NOT used on a specific model or model number variant.

Indicated by:

“XXXXX ONLY”

“NOT USED ON XXXX”

“Make/Obtain Locally” — Indicates that the part can be purchased at any hardware shop or made out of available items. Examples include battery cables, shims, and certain washers and nuts.

“Not Sold Separately” — Indicates that an item cannot be purchased as a separate item and is either part of an assembly/kit that can be purchased, or is not available for sale through Multiquip.

SUGGESTED SPARE PARTS

DCA180SSJU4F 60HZ GENERATOR WITH JOHN DEERE 6068HFG05 DIESEL ENGINE

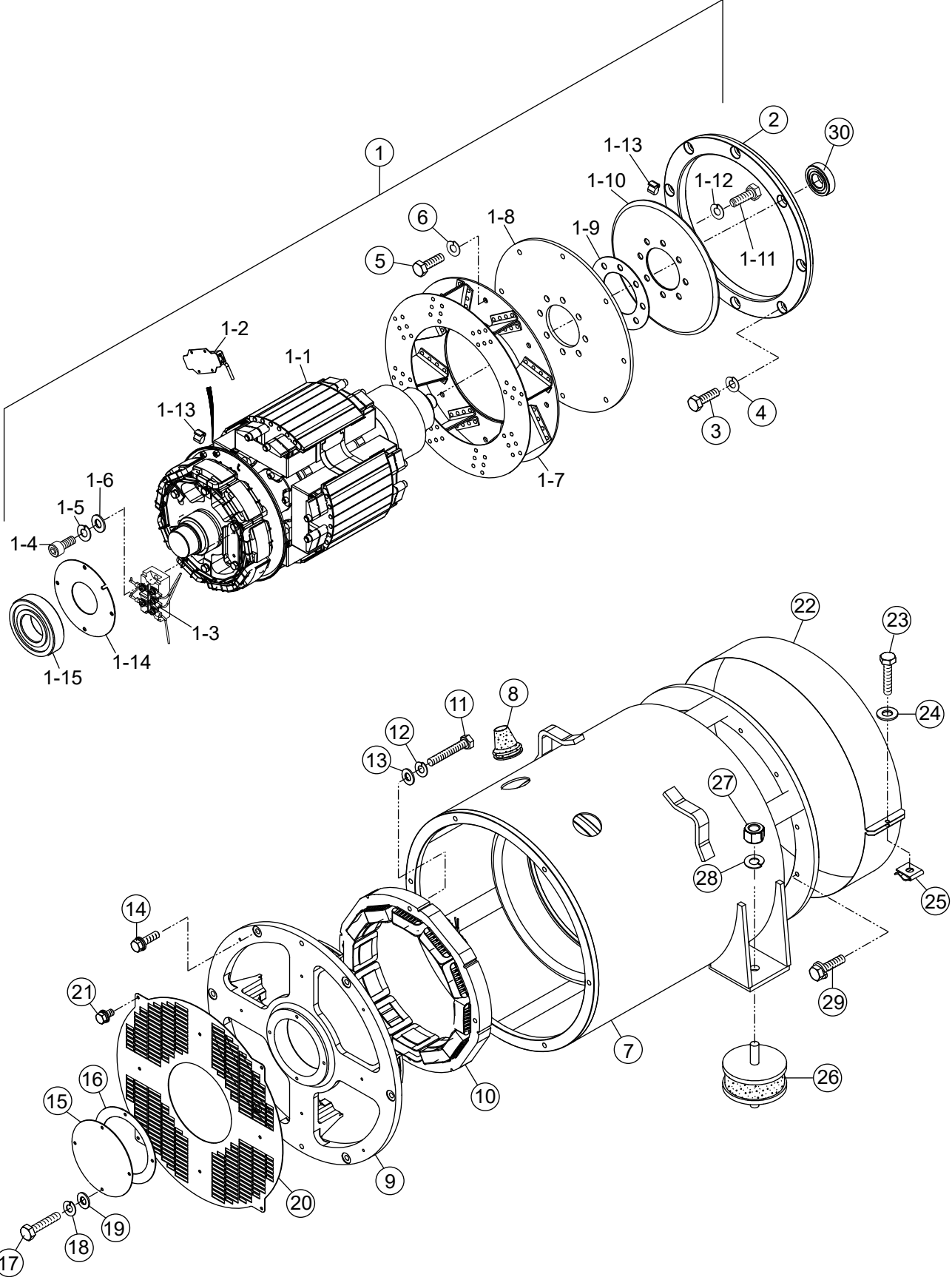
1 to 3 units

Qty.	P/N	Description
2	M3311500503	HOSE, RADIATOR, UPPER
2	M3311500603	HOSE, RADIATOR, LOWER
3	R529382	BELT, FAN
1	RE551507	FUEL, FILTER PRIMARY
1	RE560681	FUEL, FILTER SECONDARY
6	RE539279	CARTRIDGE, OIL CARTRIDGE
3	P537876	ELEMENT AIR CLEANER (PRIMARY)
3	P537877	ELEMENT AIR CLEANER (SAFETY)
1	0601808803	CIRCUIT BREAKER 1P 20A
1	0601808804	CIRCUIT BREAKER, 2P 50A
2	LY2DUS12VDC	RELAY, DC12V
1	0601806643	FUSE, 15A
1	0601806647	FUSE, 25A

NOTICE

Part numbers on this Suggested Spare Parts list may supersede/replace the part numbers shown in the following parts lists.

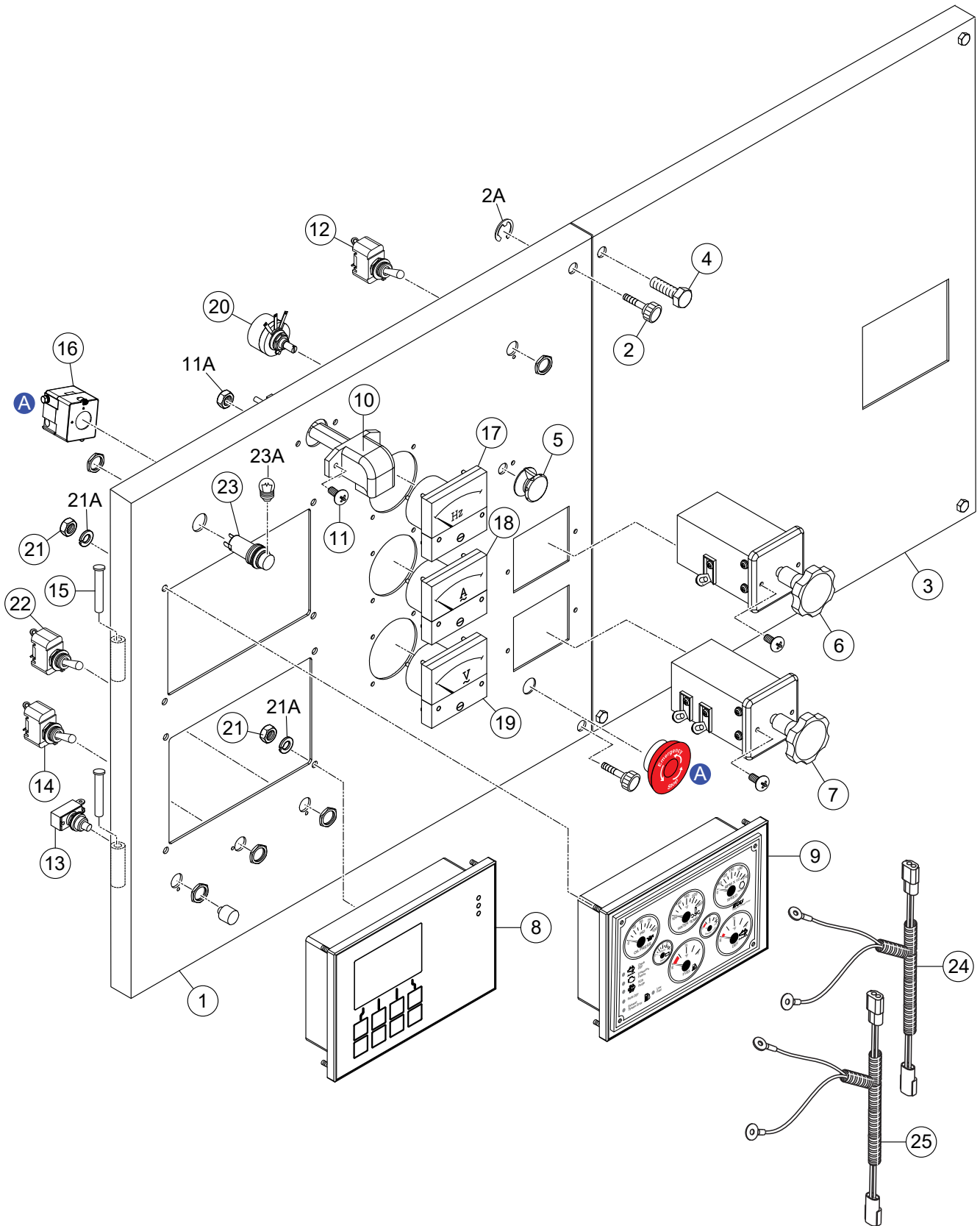
GENERATOR ASSY.



GENERATOR ASSY.

<u>NO.</u>	<u>PART NO.</u>	<u>PART NAME</u>	<u>QTY.</u>	<u>REMARKS</u>
1	C0110000602	ROTOR ASSEMBLY	1.....	INCLUDES ITEMS WITH \$
1-1\$		FIELD ASSEMBLY	1	
1-2\$	0601842334	RESISTOR, 80W, 100 OHM	1	
1-3\$	0601823282	RECTIFIER	1	
1-4\$	0018205020	HEX. SOCKET HEAD CAP SCREW	2	
1-5\$	0032005000	WASHER, LOCK.....	2.....	REPLACE P/N 0040005000
1-6\$	0401450050	WASHER, FLAT	2.....	REPLACE P/N 0041205000
1-7\$	8171070002	FAN	1	
1-8\$	8171611003	COUPLING DISK	9	
1-9\$	C1164200004	WASHER, COUPLING HUB	1	
1-10\$	8171015003	BALANCING PLATE	1.....	ITEM 1-13 MUST BE ORDERED WHEN REPLACING ITEM 1-10
1-11\$	0012116045	HEX. HEAD BOLT	8	
1-12\$	0042616000	WASHER, LOCK	8	
1-13\$	0601000209	BALANCING WEIGHT KIT	2	
1-14\$	C1112500004	BEARING FLANGE	1	
1-15\$	0071906314	BEARING	1	
2	M4163400003	COUPLING RING	1	
3	0343206120	HEX. HEAD BOLT	8	
4	0043606000	WASHER, LOCK	8	
5	0012112040	HEX. HEAD BOLT	8	
6	0040012000	WASHER, LOCK	8	
7	C0130000703	STATOR ASSEMBLY	1	
8	0845041804	GROMMET	2	
9	C1154000002	END BRACKET	1	
10	C1138000003	FIELD ASSEMBLY, EXCITER	1	
11	0012110065	HEX. HEAD BOLT	4	
12	0042610000	WASHER, LOCK	4	
13	031110160	WASHER, FLAT	4.....	REPLACES P/N 0041210000
14	0017112045	HEX. HEAD BOLT	6	
15	C1154400004	COVER, BEARING	1	
16	C1154300004	GASKET, BEARING	1	
17	0010106060	HEX. HEAD BOLT	4	
18	0040006000	WASHER, LOCK	4	
19	952404470	WASHER, FLAT	4.....	REPLACES P/N 0041206000
20	C1154400103	SUCTION COVER	1	
21	011106015	HEX. HEAD BOLT	8.....	REPLACES P/N 0017106015
22	C1132300114	COVER, FAN	1	
23	0010006030	HEX. HEAD BOLT	1.....	REPLACES P/N 0010106030
24	952404470	WASHER, FLAT	1.....	REPLACES P/N 0041206000
25	020106050	NUT.....	1.....	REPLACES P/N 0600815000
26	Y0605000463	RUBBER SUSPENSION	2	
27	0030016000	HEX. NUT	2.....	S/N 8900402 AND BELOW
27	0030016000	HEX. NUT	4.....	S/N 8900403 AND ABOVE
28	0040016000	WASHER, LOCK.....	2.....	S/N 8900402 AND BELOW
28	0040016000	WASHER, LOCK.....	4.....	S/N 8900403 AND ABOVE
29	012010030	HEX. HEAD BOLT	12.....	REPLACES P/N 0012810030
30	0070506307	BEARING	1	

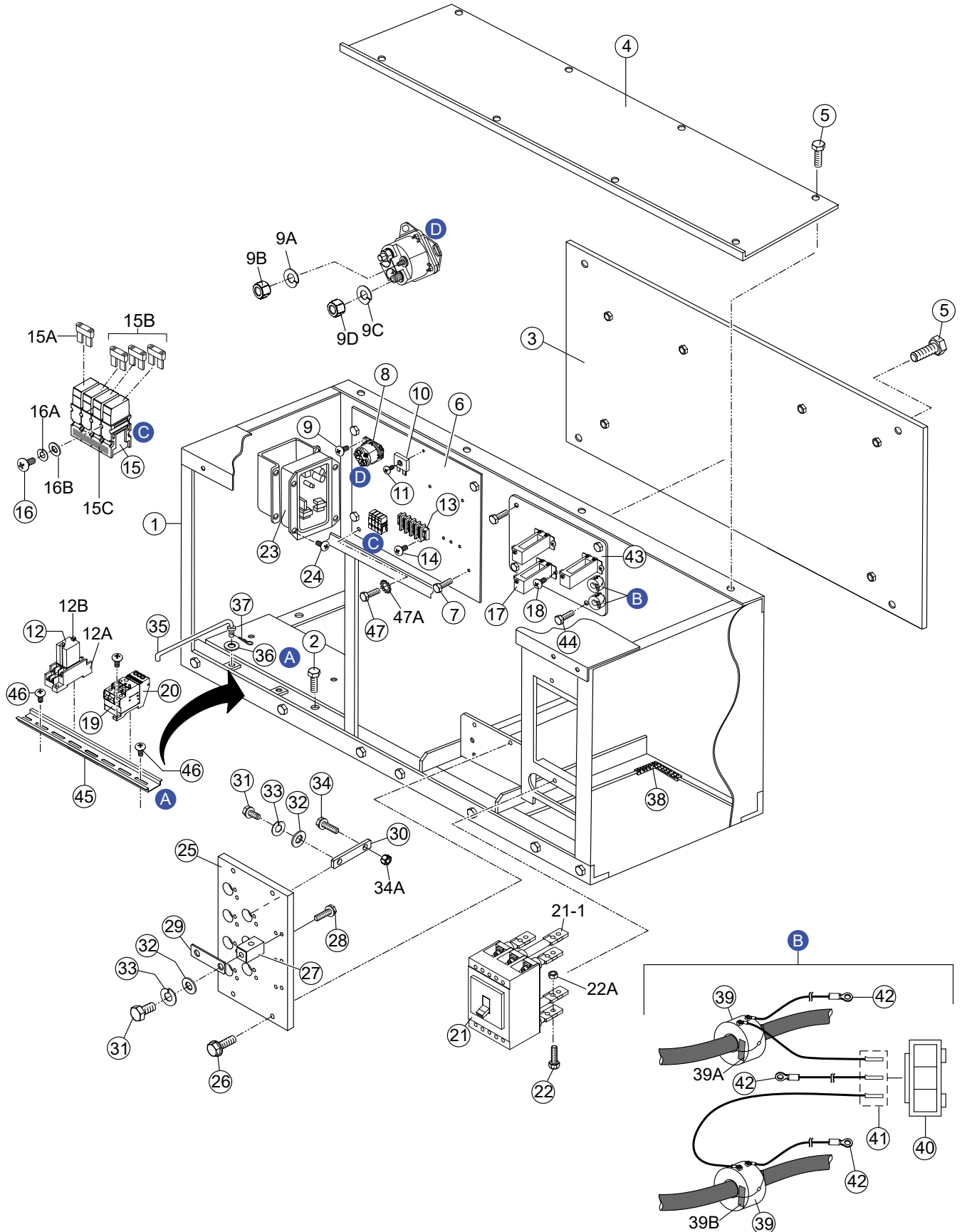
CONTROL PANEL ASSY.



CONTROL PANEL ASSY.

<u>NO.</u>	<u>PART NO.</u>	<u>PART NAME</u>	<u>QTY.</u>	<u>REMARKS</u>
1	M3224000803	CONTROL PANEL	1	
2	M9220100004	SET SCREW	2	
2A	0080200007	E-RING	2	
3	M4223000604	CONTROL PANEL	1	
4	0016908040	HEX. HEAD BOLT	4	
5	Y0601840121	KNOB	1	
6	0601801040	CHANGE-OVER SWITCH, AMMETER	1	
7	0601801041	CHANGE-OVER SWITCH, VOLTMETER	1	
8	Y0602203047	ECU CONTROLLER	1	
9	Y0602120568	GAUGE UNIT ASSEMBLY	1	
10	Y0601810170	PANEL LIGHT, 12V	1	
11	0027104020	MACHINE SCREW	2	
11A	OEMAA8	HEX. NUT	2	REPLACES P/N 0207004000
12	0601830710	PANEL LIGHT SWITCH	1	
13	0601831205	PUSH BUTTON	1	
14	82608	TOGGLE SWITCH.....	1	REPLACES P/N 0601831340
15	0605011211	PIN	2	
16	0601831557	EMERGENCY STOP BUTTON	1	
17	0601807642	FREQUENCY METER, 45-65HZ 240V	1	
18	0601817000	AC. AMMETER, 0-300A/600A:5A	1	
19	0601800275	AC. VOLTMETER, 0-600V	1	
20	0601840073	VOLTAGE REGULATOR, 20A 1K	1	
21	Y0206707000	HEX. NUT	8	
21A	Y0044807000	WASHER, LOCK	8	
22	0601830710	ENGINE SPEED SWITCH	1	
23	0602103092	ALARM LAMP, 18V	1	INCLUDES ITEMS W/%
23A%	0602103092	BULB, 18V	1	REPLACES P/N 0601810277
24	M3247702004	WIRE HARNESS, GENERATOR	1	
25	M3358201602	WIRE HARNESS, ENGINE	1	

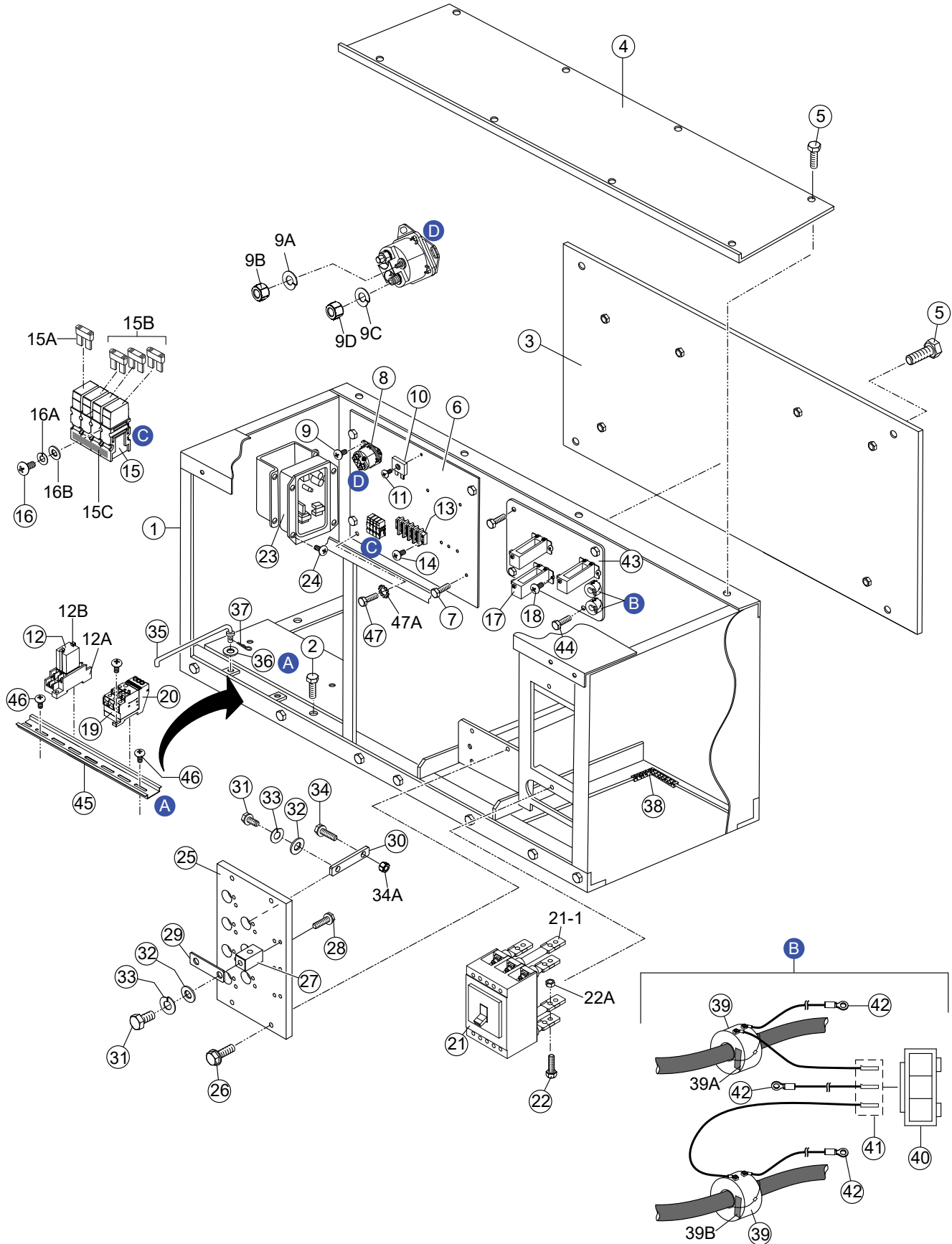
CONTROL BOX ASSY.



CONTROL BOX ASSY.

<u>NO.</u>	<u>PART NO.</u>	<u>PART NAME</u>	<u>QTY.</u>	<u>REMARKS</u>
1	M3214000902	CONTROL BOX	1	
2	011008020	HEX. HEAD BOLT	14.....	REPLACES P/N 0016908020
3	M5214400304	BACK PANEL	1	
4	M4213500104	UP PANEL	1	
5	011008020	HEX. HEAD BOLT	16.....	REPLACES P/N 0016908020
6	M3261500304	SET PANEL	1	
7	011008020	HEX. HEAD BOLT	4.....	REPLACES P/N 0016908020
8	Y0602201458	STARTER RELAY	1	
9	011808015	MACHINE SCREW	2.....	REPLACES P/N 0027106015
9A	0044808000	WASHER, LOCK	2	
9B	Y0206508000	HEX. NUT	2	
9C	0043003000	WASHER, LOCK	2	
9D	Y0206803000	HEX. NUT	2	
10	0601821370	RECTIFIER DE-45	1.....	REPLACES P/N 0601823240
11	0027104020	MACHINE SCREW	1	
12	LY2DUS12VDC	RELAY, DC12V	1.....	REPLACES P/N 0601827656
12A	PTF08A	RELAY BASE	1.....	REPLACES P/N 0601823109
12B	PYCA1	RELAY CLIP	2.....	REPLACES P/N 0601824400
13	0601815153	TERMINAL BLOCK	1	
14	0027104020	MACHINE SCREW	2	
15	M3214601504	FUSE HOLDER ASSEMBLY	1	
15A	0601806643	FUSE, 15A	1	
15B	0601806647	FUSE, 25A	3	
15C	M9501400904	DECAL: FUSE HOLDER	1	
16	Y0027203035	MACHINE SCREW	2	
17	0601809666	CURRENT TRANSFORMER, 300/5A	3	
18	011206020	MACHINE SCREW	6.....	REPLACES P/N 0027106020
19	Y0601820843	OVER CURRENT RELAY	1	
20	Y0601820844	OVER CURRENT RELAY BASE	1	
21	Y0601807533	CIRCUIT BREAKER 3P, 600A	1	
21-1	Y0601827412	REAR TERMINAL BUSBAR (SET)	2	
22	0017110040	HEX. HEAD BOLT	6	
22A	0207010000	SELF-LOCKING NUT	6	
23	0601820601	AUTOMATIC VOLTAGE REGULATOR	1	
24	0027105015	MACHINE SCREW	4	
25	C0274000003	TERMINAL BRD., VOLT. CHANGE-OVER.....	1.....	REPLACES P/N M3273000003
26	011208030	HEX. HEAD BOLT	4.....	REPLACES P/N 0016908030
27	8131852104	CHANGE TERMINAL.....	10.....	REPLACES P/N M3276400004
28	011606025	HEX. HEAD BOLT	20.....	REPLACES P/N 0016906025
29	8131853104	CHANGE-OVER PLATE	6.....	REPLACES P/N M3276300004
30	C0277200004	CHANGE PLATE.....	3.....	REPLACES P/N M4276200004
31	012210020	TIE BOLT	20.....	REPLACES P/N M9220100104
32	0041410000	WASHER, FLAT	20	
33	0040010000	WASHER, LOCK	20	
34	014210040	HEX. HEAD BOLT	3.....	REPLACES P/N 0017110040
34A	021112140	SELF-LOCKING NUT	3.....	REPLACES P/N 0207010000

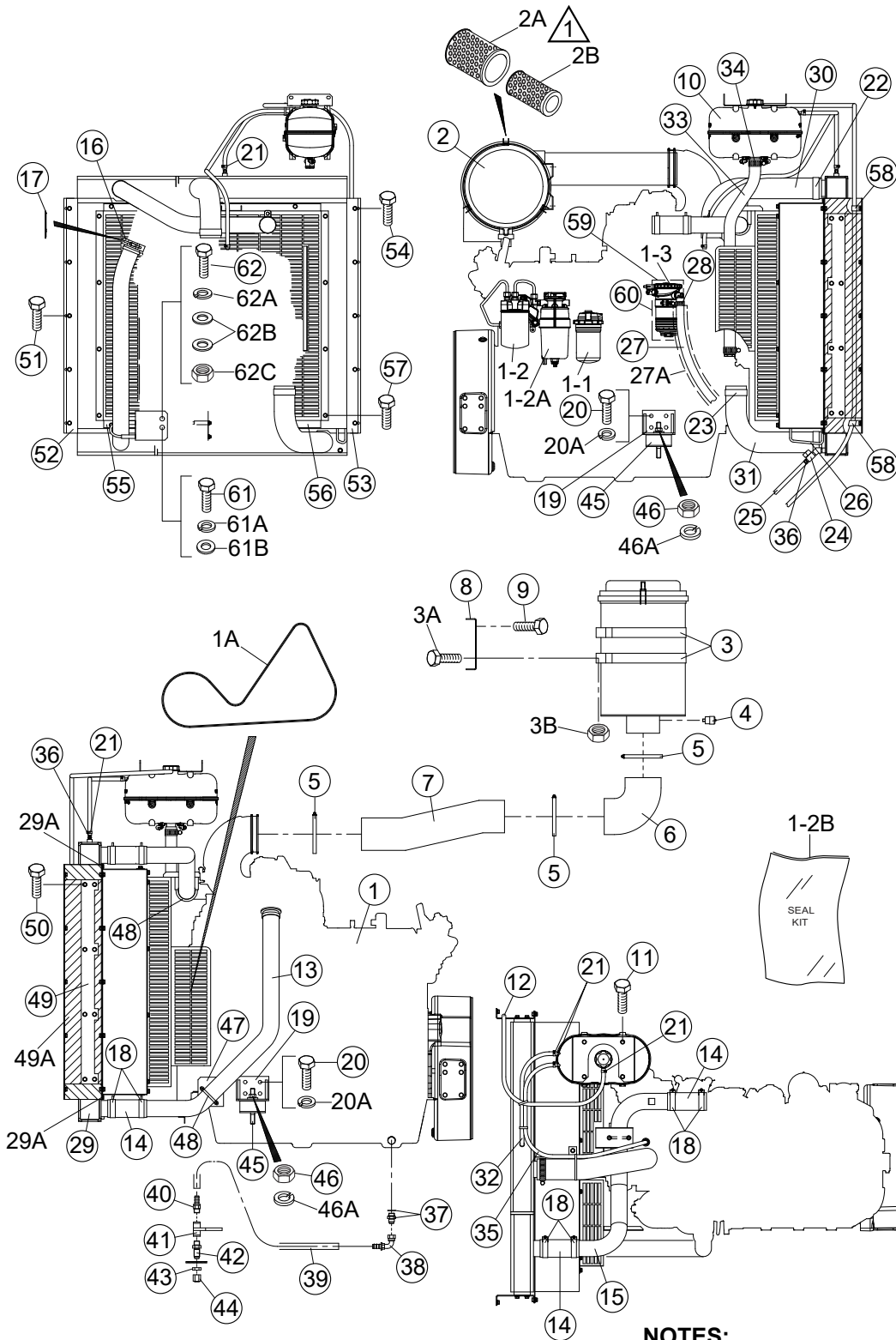
CONTROL BOX ASSY. (CONT'D.)



CONTROL BOX ASSY. (CONT'D.)

<u>NO.</u>	<u>PART NO.</u>	<u>PART NAME</u>	<u>QTY.</u>	<u>REMARK</u>
35	M4213600104	STOPPER, CONTROL PANEL	1	
36	952404470	WASHER, FLAT	1	REPLACES P/N 0041206000
37	505015300	SNAP PIN	1	REPLACES P/N 0605010502
38	Y0411100250	EDGING	1	
39	Y0601872911	CURRENT TRANSFORMER, 300/5A	2	
39A	M9521001604	DECAL: CT4	1	
39B	M9521001704	DECAL: CT5	1	
40	Y0601813924	PLUG	1	
41	0601812711	PINS	3	
42	Y0601815587	ROUND TERMINAL	3	
43	M3261500404	SET PANEL	1	
44	0016906015	HEX. HEAD BOLT	4	
45	Y0290000245	MOUNTING RAIL	1	
46	0027104015	MACHINE SCREW	2	
47	0016906015	HEX. HEAD BOLT	1	
47A	0040506000	TOOTHED WASHER	1	

ENGINE AND RADIATOR ASSY.

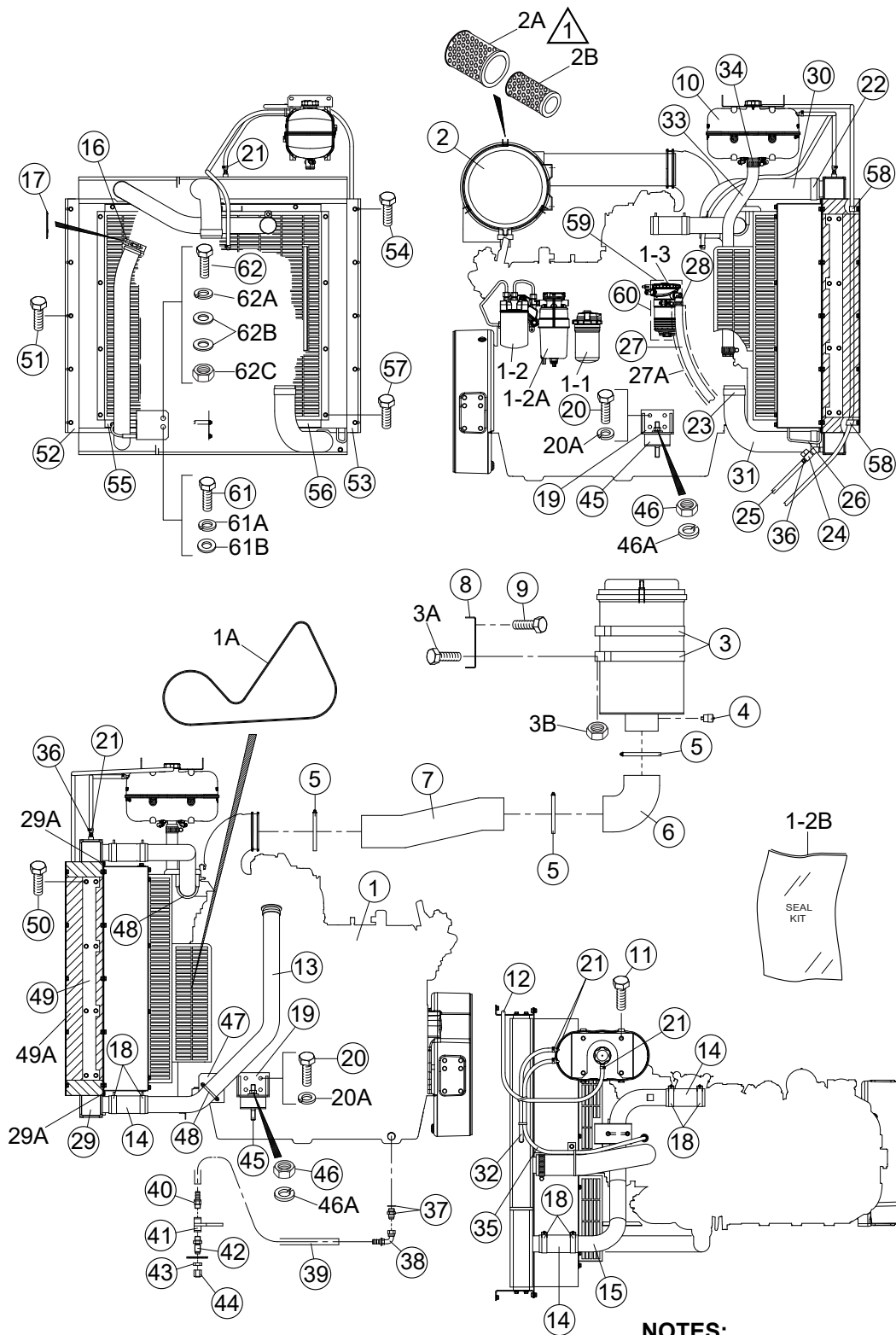


NOTES:
 ▲ ITEMS 2A AND 2B ARE INCLUDED WITH ITEM 2.

ENGINE AND RADIATOR ASSY.

<u>NO.</u>	<u>PART NO.</u>	<u>PART NAME</u>	<u>QTY.</u>	<u>REMARKS</u>
1	M3924200144	ENGINE, JOHN DEERE 6068HFG05	1	
1A	R529382	FAN BELT	1	REPLACES P/N 0602015209
1-1	RE539279	CARTRIDGE, OIL FILTER	1	REPLACES P/N 0602041293
1-2	RE551507	FUEL FILTER, PRIMARY	1	REPLACES P/N 0602042800
1-2A	RE560681	FUEL FILTER, SECONDARY	1	REPLACES P/N 0602042801
1-2B	RE562696	SEAL KIT, FUEL FILTER	2	REPLACES P/N 0602042603
1-3	RE540710	BLOWBY FILTER	1	REPLACES P/N 0602044230
2	0602046586	AIR CLEANER	1	INCLUDES ITEMS W/#
2A#	P537876	ELEMENT, AIR CLEANER (PRIMARY)	1	REPLACES P/N 0602046682
2B#	P537877	ELEMENT, AIR CLEANER (SAFETY)	1	REPLACES P/N 0602046683
3	0602040558	AIR CLEANER BAND	2	
3A	011208025	HEX. HEAD BOLT	4	REPLACES P/N 0016908025
3B	020108060	SELF-LOCKING NUT	4	REPLACES P/N 0207008000
4	0602040650	AIR CLEANER INDICATOR	1	
5	0605515202	HOSE BAND	3	
6	0602040365	90° ELBOW	1	
7	M3374000604	AIR CLEANER PIPE	1	
8	M3374200004	AIR CLEANER BRACKET	1	
9	0016910025	HEX. HEAD BOLT	2	
10	RE549081	SURGE TANK	1	REPLACES P/N 0602010222
11	Y0016908015	HEX. HEAD BOLT	4	
12	Y0193602250	OVER FLOW HOSE	1	
13	M3311400103	CAC PIPE (HOT SIDE)	1	
14	Y0602015610	CAC HOSE	3	
15	M3311400203	CAC PIPE (COLD SIDE)	1	
16	RE292067	V-BAND CLAMP	1	REPLACES P/N 0602325033
17	R529509	GASKET	1	REPLACES P/N 0602320206
18	0605515215	TEE BOLT CLAMP	6	
19	M3303200404	ENGINE FOOT	2	
20	0012312030	HEX. HEAD BOLT	6	REPLACES P/N 0013612030
20A	0040012000	WASHER, LOCK	6	
21	0605515189	HOSE BAND	5	
22	0605515236	TEE BOLT CLAMP	2	
23	0605515208	TEE BOLT CLAMP	2	
24	Y0605511394	MINI BALL VALVE	1	
25	0193600400	DRAIN HOSE	1	
26	Y0603307520	45° ELBOW	1	
27	Y0191601135	BLOWBY HOSE	1	
27A	Y0377801060	AEROFLEX TUBE	1	
28	0605515073	HOSE BAND	1	
29	Y0602012922	RADIATOR AND INTER COOLER	1	
29A	M3494110204	ACOUSTIC SHEET	2	
30	M3311500503	RADIATOR HOSE, UPPER	1	

ENGINE AND RADIATOR ASSY. (CONT'D.)

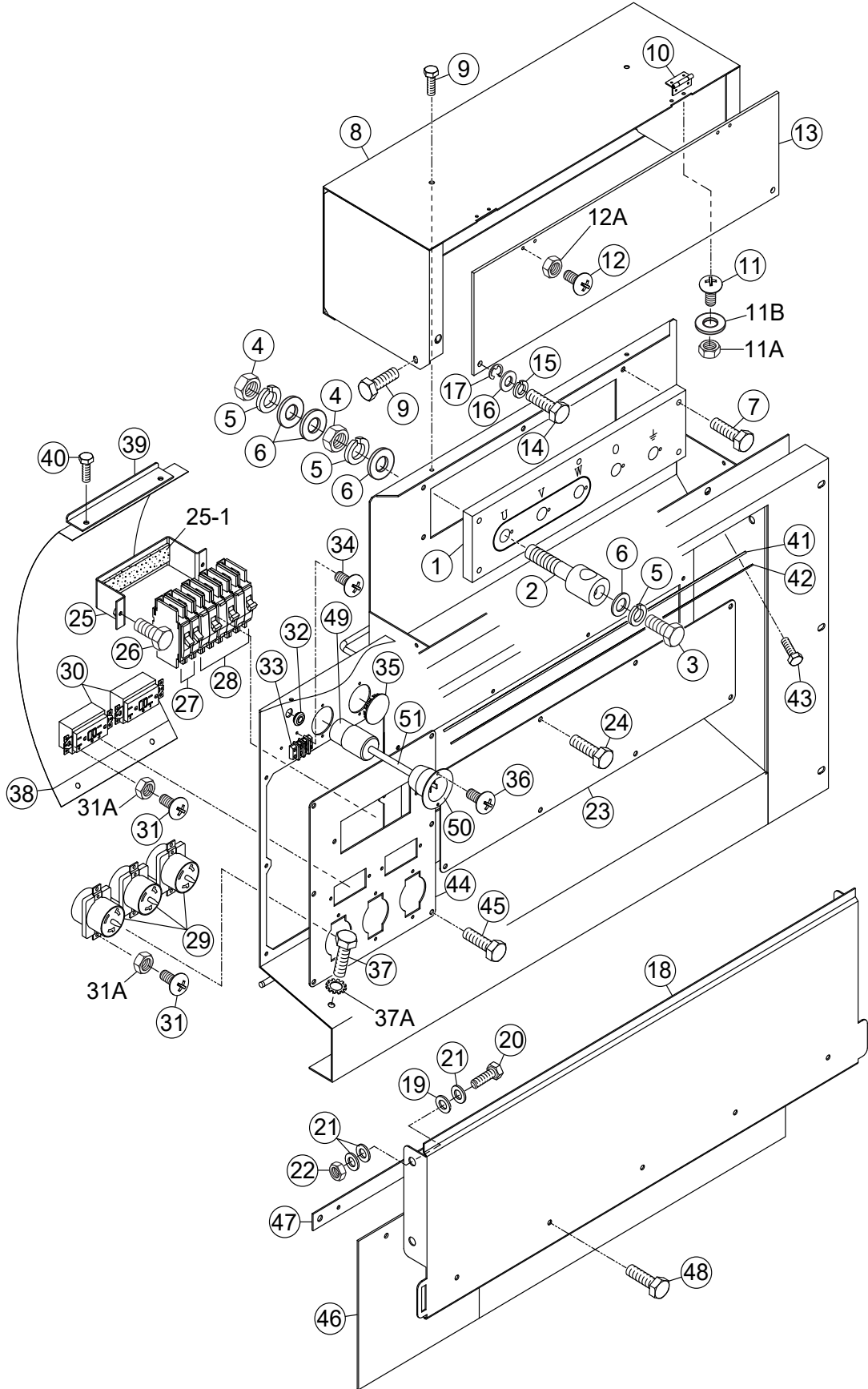


NOTES:
 ▲ ITEMS 2A AND 2B ARE INCLUDED WITH ITEM 2.

ENGINE AND RADIATOR ASSY. (CONT'D.)

<u>NO.</u>	<u>PART NO.</u>	<u>PART NAME</u>	<u>QTY.</u>	<u>REMARKS</u>
31	M3311500603	RADIATOR HOSE, LOWER	1	
32	Y0199900730	VENT HOSE	1	
33	M5311501203	SURGE TANK HOSE	1	
34	0605515149	HOSE BAND	2	
35	0199901200	VENT HOSE	1	
36	Y0605512192	HOSE JOINT	2	
37	0602022580	ADAPTER	1	
38	0602022561	90° ELBOW	1	
39	Y0269201300	PUSH-LOCK HOSE	1	
40	0603306395	MALE PIPE	1	
41	0605511395	BALL VALVE	1	
42	0603306590	MALE BULKHEAD CONNECTOR	1	
43	0603300285	BULKHEAD ROCKNUT	1	
44	0602021070	CAP	1	
45	Y0605000620	RUBBER SUSPENSION	2	
46	0030016000	HEX. NUT	2	
46A	0040016000	WASHER, LOCK	2	
47	M3314300104	CAC PIPE BRACKET	1	
48	0602326063	U-BOLT	2	
49	M3311201004	RADIATOR BRACKET	2	
49A	M3494110104	ACOUSTIC SHEET	1	
50	Y0016908015	HEX. HEAD BOLT	16	
51	011008020	HEX. HEAD BOLT	10	REPLACES P/N 0016908020
52	M3311301903	FAN SHROUD	1	
53	M3311302003	FAN SHROUD	1	
54	011008020	HEX. HEAD BOLT	12	REPLACES P/N 0016908020
55	M3311300813	FAN GUARD	1	
56	M3311302103	FAN GUARD	1	
57	011008020	HEX. HEAD BOLT	17	REPLACES P/N 0016908020
58	0602220911	CLAMP	2	
59	Y0602044501	BLOWBY FILTER COVER, UPPER	1	
60	Y0602044503	BLOWBY FILTER COVER, LOWER	1	
61	Y0013616030	HEX. HEAD BOLT	1	
61A	0040016000	WASHER, LOCK	1	
61B	0041216000	WASHER, FLAT	1	
62	0012116060	HEX. HEAD BOLT	1	
62A	0040016000	WASHER, LOCK	1	
62B	0041216000	WASHER, FLAT	2	
62C	0030016000	HEX. NUT	1	

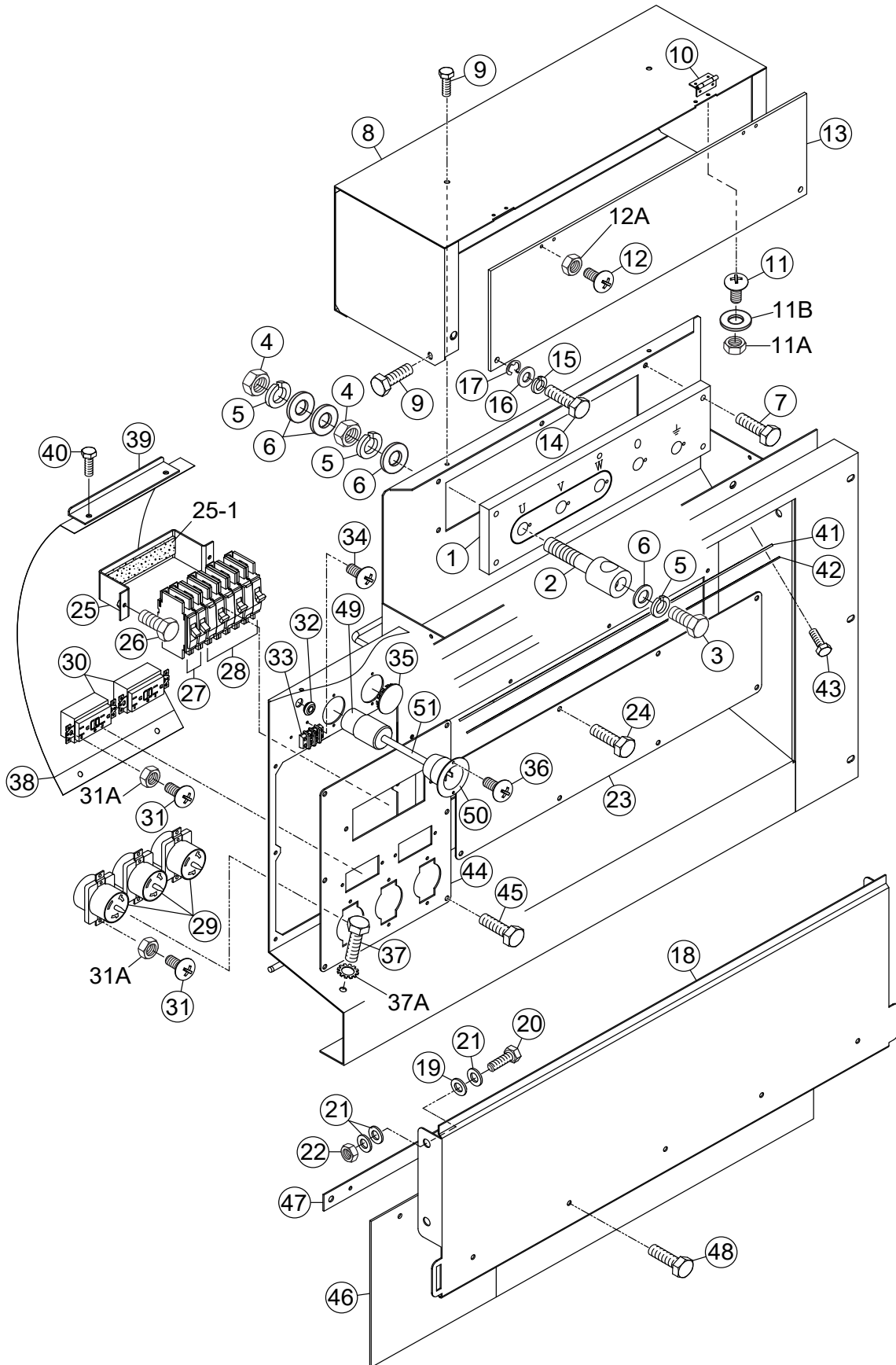
OUTPUT TERMINAL ASSY.



OUTPUT TERMINAL ASSY.

<u>NO.</u>	<u>PART NO.</u>	<u>PART NAME</u>	<u>QTY.</u>	<u>REMARKS</u>
1	M3230700113	TERMINAL BOARD	1	
2	M9220100914	OUTPUT TERMINAL BOLT	5	
3	M9220101004	TIE BOLT	5	
4	0039320000	HEX. NUT	10	
5	030220510	WASHER, LOCK.....	15.....	REPLACES P/N 0040020000
6	0041420000	WASHER, FLAT	20	
7	0016908040	HEX. HEAD BOLT	5	
8	M4236100403	TERMINAL COVER	1	
9	0016906015	HEX. HEAD BOLT	4	
10	0605010040	HINGE	2	
11	0027103010	MACHINE SCREW	4	
11A	0207003000	HEX. NUT	4.....	REPLACES P/N 0030003000
11B	0041203000	WASHER, FLAT	4	
12	0027103015	MACHINE SCREW	4	
12A	0207003000	HEX. NUT	4.....	REPLACES P/N 0030003000
13	M4236100504	OUTPUT WINDOW	1	
14	M9220100804	SET SCREW	2	
15	0040006000	WASHER, LOCK	2	
16	952404470	WASHER, FLAT	2.....	REPLACES P/N 0041206000
17	0080200005	E RING	2	
18	M3237100503	TERMINAL COVER	1	
19	0605050060	CONICAL SPRING WASHER	2	
20	Y0013612045	HEX. HEAD BOLT	2	
21	031112230	WASHER, FLAT	6.....	REPLACES P/N 0041212000
22	0030012000	HEX. NUT	2	
23	M4236400204	COVER	1	
24	0016906015	HEX. HEAD BOLT	8	
25	M4260600104	BRACKET, CIRCUIT BREAKER	1	
25-1	0222100150	RUBBER CUSHION	1	
26	011206020	HEX. HEAD BOLT.....	2.....	REPLACES P/N 0016906020
27	0601808803	CIRCUIT BREAKER, 1P 20A	2	
28	0601808804	CIRCUIT BREAKER, 2P 50A	3	
29	0601814014	RECEPTACLE, 50A	3	
30	0601814024	RECEPTACLE, 20A	2	
31	0027104015	MACHINE SCREW	10	
31A	OEMAA8	SELF-LOCKING NUT	10.....	REPLACES P/N 0207004000
32	0601850275	GROMMET	1	
33	0601815194	TERMINAL BLOCK	1	
34	0027104015	MACHINE SCREW	2	
35	0603306775	BLIND PLUG	2.....	S/N 8900417 AND BELOW
35	0603306775	BLIND PLUG.....	1.....	S/N 8900418 AND ABOVE

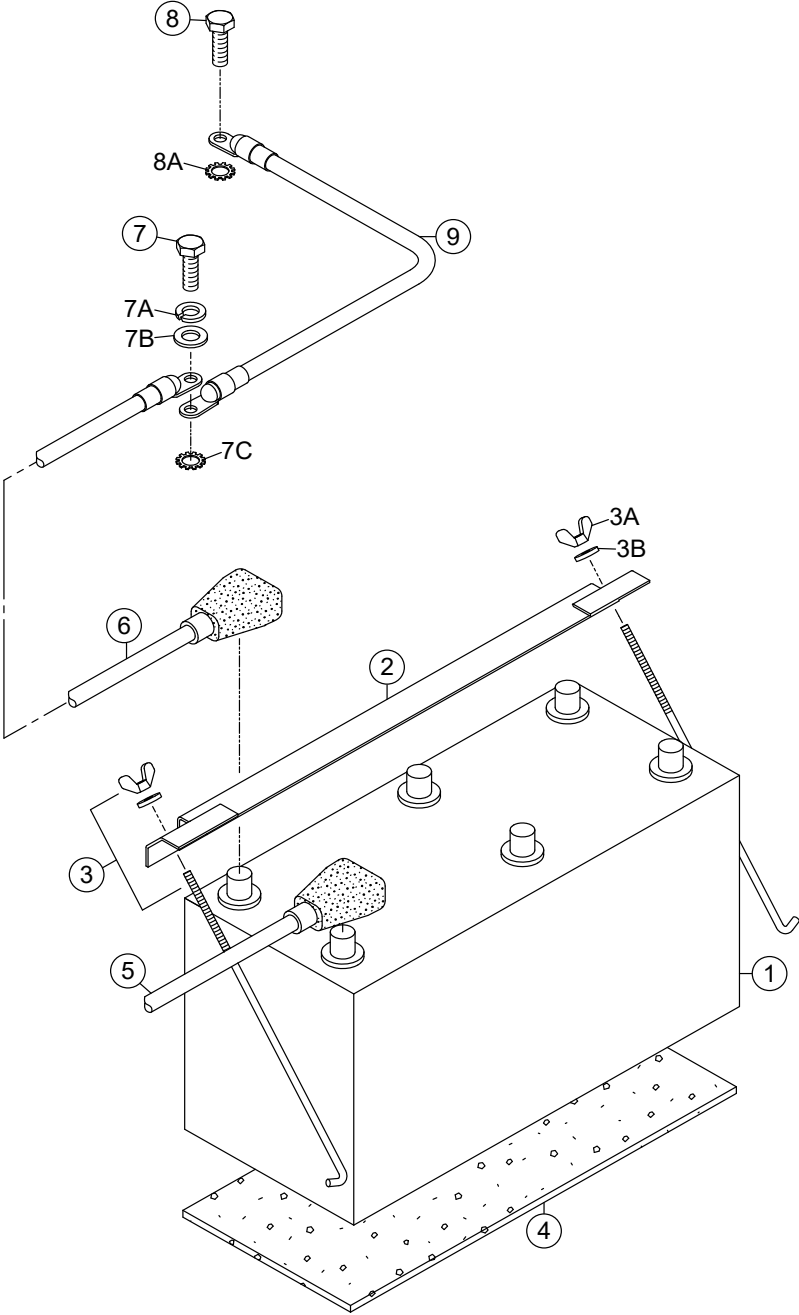
OUTPUT TERMINAL ASSY. (CONT'D.)



OUTPUT TERMINAL ASSY. (CONT'D.)

<u>NO.</u>	<u>PART NO.</u>	<u>PART NAME</u>	<u>QTY.</u>	<u>REMARKS</u>
36	0027104015	MACHINE SCREW	4	
37	0019208020	HEX. HEAD BOLT	1	
37A	0040508000	TOOTHED WASHER	1	
38	M3237100404	INSULATING COVER	1	
39	M4236400304	BRACKET	1	
40	0016906015	HEX. HEAD BOLT	2	
41	M4236400004	CABLE OUTLET COVER	1	
42	M4236400104	SUPPORTER, CABLE OUTLET COVER	1	
43	011206020	HEX. HEAD BOLT.....	8.....	REPLACES P/N 0016906020
44	M3454200904	RECEPTACLE BOARD	1	
45	0016906015	HEX. HEAD BOLT	6	
46	M3454700404	RUBBER SHEET	1	
47	M3454700504	RUBBER SHEET HOLDER	1	
48	011206020	HEX. HEAD BOLT.....	5.....	REPLACES P/N 0019206020
49	0601812527	CONNECTOR.....	1.....	S/N 8900418 AND ABOVE
50	0601811177	RECEPTACLE	1.....	S/N 8900418 AND ABOVE
51	M1358200804	WIRE HARNESS, WATER HEATER.....	1.....	S/N 8900418 AND ABOVE

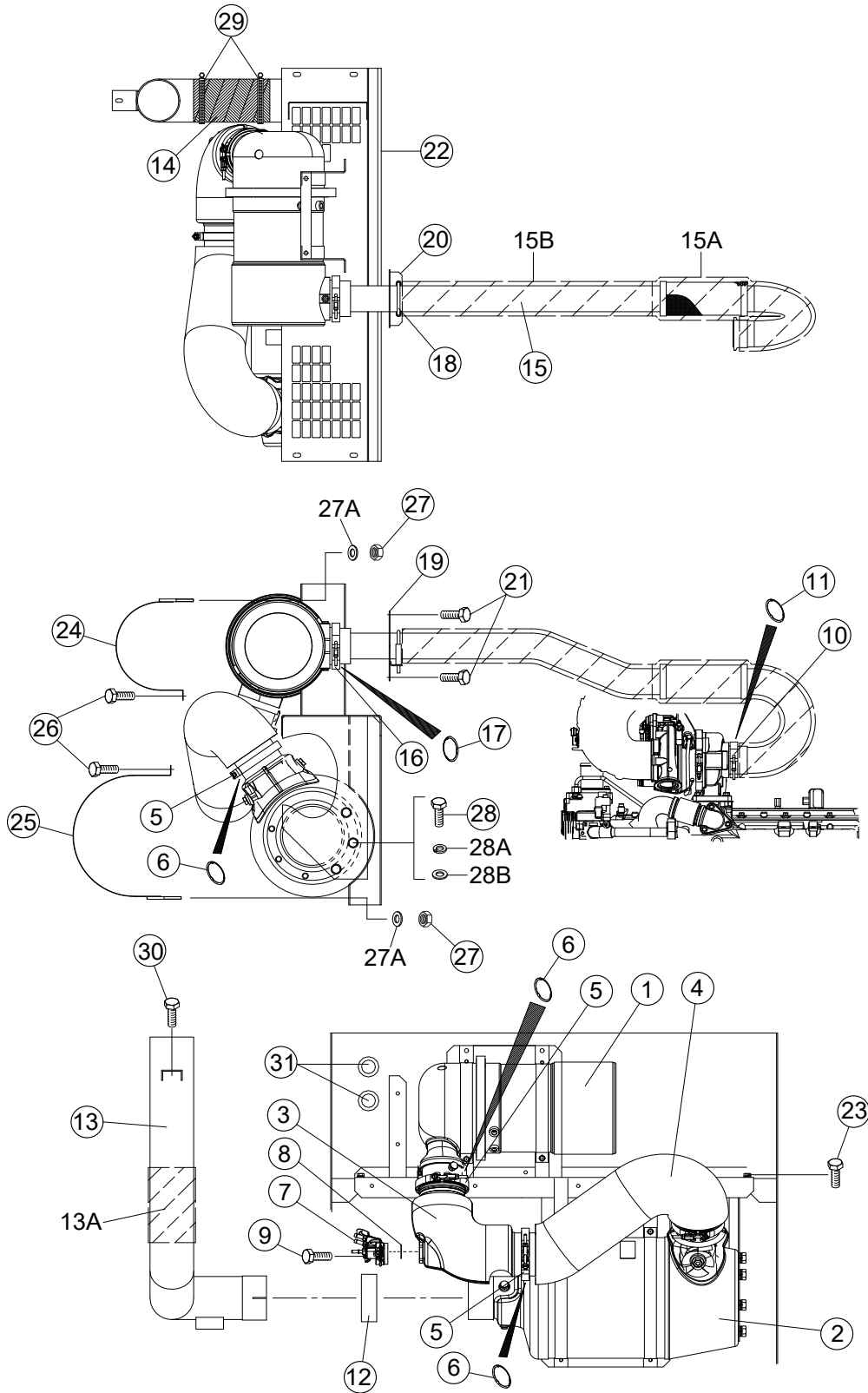
BATTERY ASSY.



BATTERY ASSY.

<u>NO.</u>	<u>PART NO.</u>	<u>PART NAME</u>	<u>QTY.</u>	<u>REMARKS</u>
1	0602220198	BATTERY	1	
2	M9103000504	BATTERY BAND	1	
3	0602220921	BATTERY BOLT SET	2.....	INCLUDES ITEMS W/\$
3A\$		WING NUT	2	
3B\$		PLASTIC WASHER	2	
4	M9310500404	BATTERY SHEET	1	
5	M5347900504	BATTERY CABLE	1	
6	M5347900604	BATTERY CABLE	1	
7	Y0013616030	HEX. HEAD BOLT	1	
7A	0040016000	WASHER, LOCK	1	
7B	0041216000	WASHER, FLAT	1	
7C	0040516000	TOOTHED WASHER	1	
8	0016910025	HEX. HEAD BOLT	1	
8A	0040510000	TOOTHED WASHER	1	
9		EARTH CABLE	1.....	MAKE LOCALLY

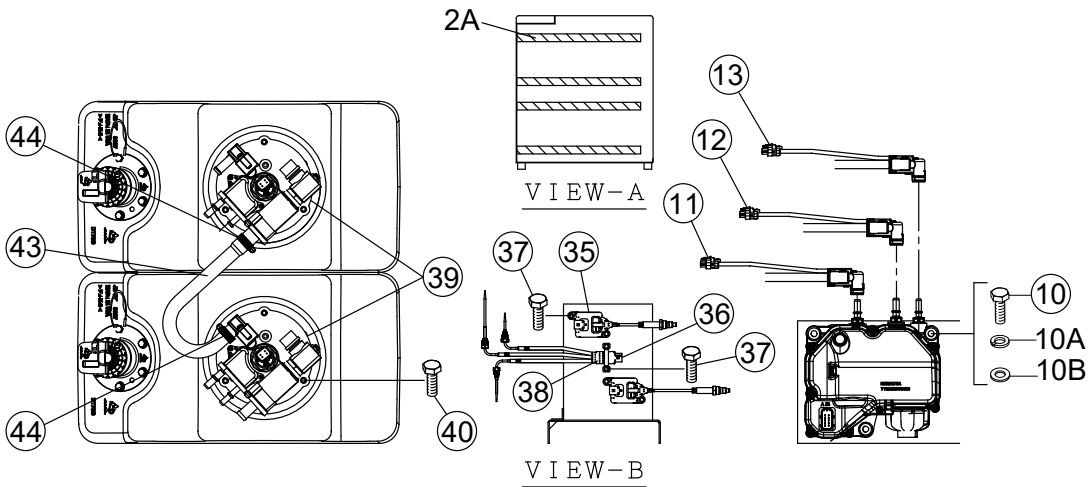
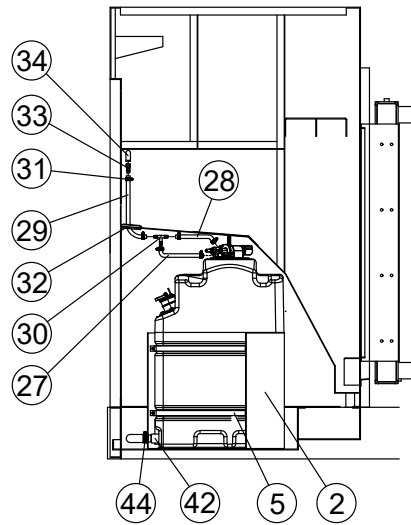
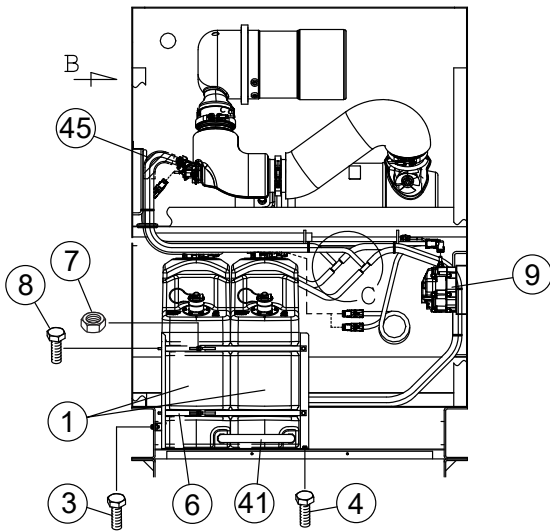
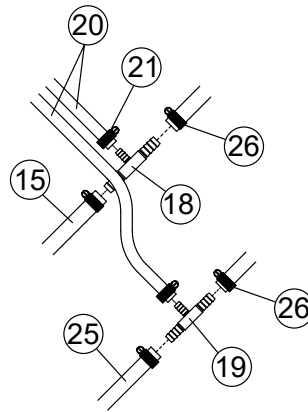
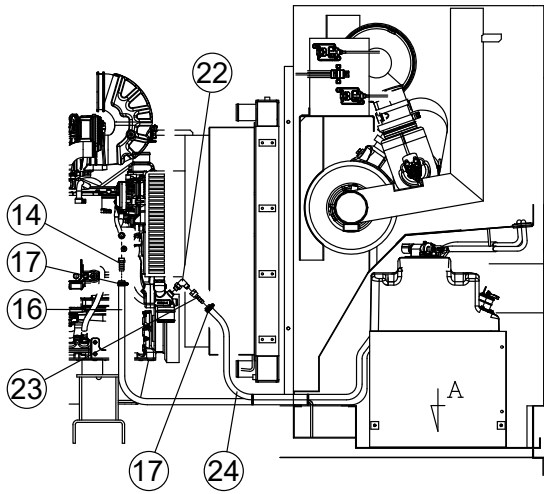
MUFFLER ASSY.



MUFFLER ASSY.

<u>NO.</u>	<u>PART NO.</u>	<u>PART NAME</u>	<u>QTY.</u>	<u>REMARKS</u>
1	DZ100501	DIESEL OXIDATION CATALYST	1.....	REPLACES P/N 0602330106
2	DZ100467	SCR CATALYST	1.....	REPLACES P/N 0602330304
3	RE565074	DECOMPOSITION TUBE	1.....	REPLACES P/N 0602330403
4	RE559456	DECOMPOSITION EXTENSION TUBE	1.....	REPLACES P/N 0602330404
5	RE540348	V-BAND CLAMP	3.....	REPLACES P/N 0602325034
6	R529640	GASKET	3.....	REPLACES P/N 0602320205
7	RE560468	DEF INJECTOR	1.....	REPLACES P/N 0602330405
8	RE556879	GASKET	1.....	REPLACES P/N 0602330406
9	R537624	HEX. HEAD BOLT	3.....	REPLACES P/N 0602330407
10	RE289839	V-BAND CLAMP	1.....	REPLACES P/N 0602325037
11	R528112	SEALING RING	1.....	REPLACES P/N 0602320201
12	Y0602325026	PIPE BAND	1	
13	M3334100103	TAIL PIPE	1	
13A	Y0602311172	TAIL PIPE HEAT SHIELD	1	
14	Y0400005400	EXHAUST INSULATING WRAP	1	
15	M3334001203	EXHAUST PIPE	1	
15A	Y0602311170	EXHAUST PIPE HEAT SHIELD	1	
15B	Y0602311171	EXHAUST PIPE HEAT SHIELD	1	
16	RE298757	V-BAND CLAMP	1.....	REPLACES P/N 0602325036
17	R300529	SEAL RING	1.....	REPLACES P/N 0602320203
18	0602326060	U-BOLT	1	
19	M3334300604	COVER, EXHAUST PIPE	1	
20	M3334300503	BRACKET, EXHAUST PIPE	1	
21	011008020	HEX. HEAD BOLT.....	4.....	REPLACES P/N 0016908020
22	M3331200302	BRACKET, DOC & SCR	1	
23	0016910025	HEX. HEAD BOLT	4	
24	M3331400604	DPF BAND	2	
25	M3331400704	SCR BAND	2	
26	011008020	HEX. HEAD BOLT.....	4.....	REPLACES P/N 0016908020
27	020108060	U-NUT.....	4.....	REPLACES P/N 0037908000
27A	0401450080	WASHER, FLAT.....	4.....	REPLACES P/N 0041208000
28	Y0013616030	HEX. HEAD BOLT	4	
28A	0040016000	WASHER, LOCK	4	
28B	0041216000	WASHER, FLAT	4	
29	0605515202	HOSE BAND	2	
30	011008020	HEX. HEAD BOLT.....	1.....	REPLACES P/N 0016908020

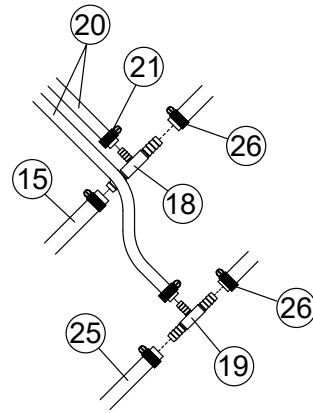
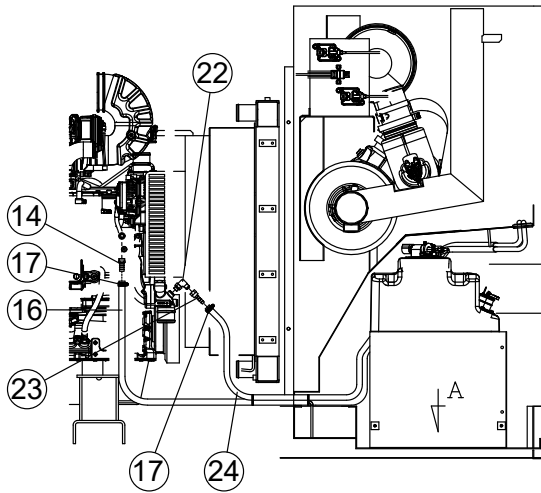
DEF TANK ASSY.



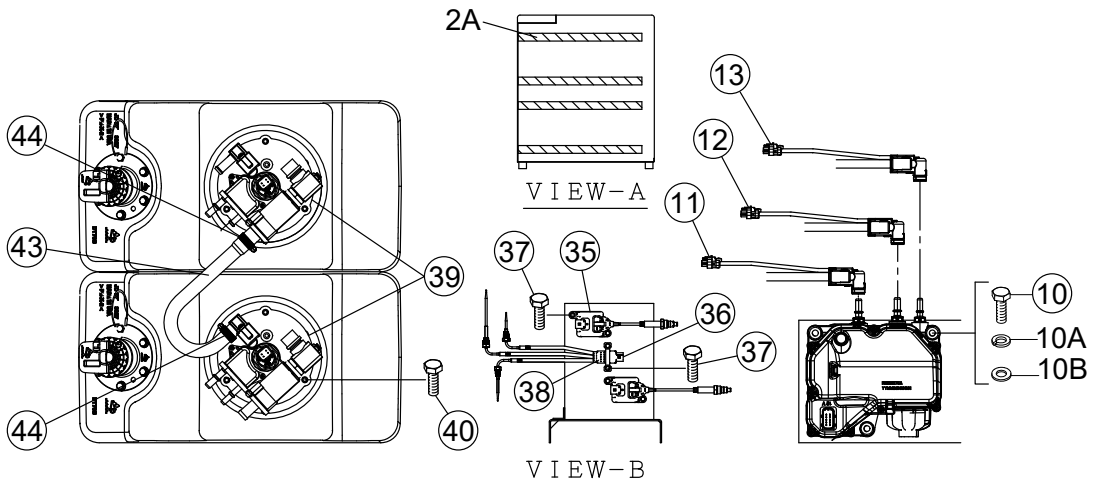
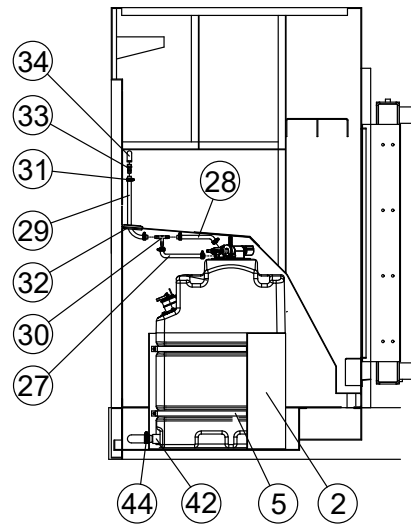
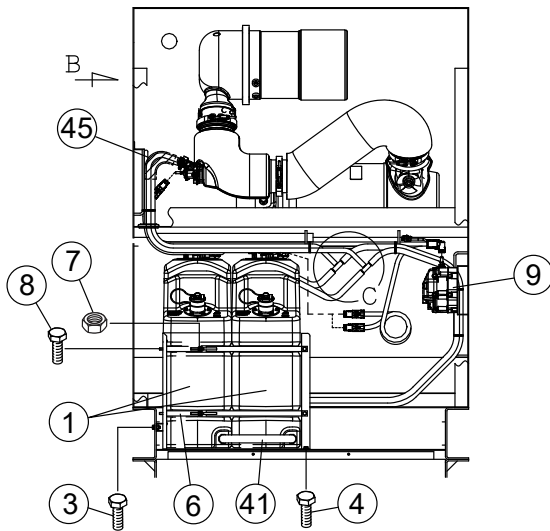
DEF TANK ASSY.

<u>NO.</u>	<u>PART NO.</u>	<u>PART NAME</u>	<u>QTY.</u>	<u>REMARKS</u>
1	DZ103067	DEF TANK	2.....	REPLACES P/N 0605500072
2	M3331402703	BRACKET, DEF TANK	1	
2A	Y0222100480	SEAL, RUBBER	4	
3	011208025	HEX. HEAD BOLT	2.....	REPLACES P/N 0016908025
4	011008020	HEX. HEAD BOLT	2.....	REPLACES P/N 0016908020
5	M3331402804	DEF TANK BAND	2	
6	M5331402004	DEF TANK BAND	2	
7	020108060	SELF-LOCKING NUT	4.....	REPLACES P/N 0207008000
8	011008020	HEX. HEAD BOLT	4.....	REPLACES P/N 0016908020
9	RE552175	DEF SUPPLY MODULE	1	
10	Y0013608090	HEX. HEAD BOLT	3	
10A	0040008000	WASHER, LOCK	3	
10B	0401450080	WASHER, FLAT	3.....	REPLACES P/N 0041208000
11	RE560877	DEF SUCTION LINE	1	
12	RE560893	DEF BACKFLOW LINE	1	
13	RE560897	DEF PRESSURE LINE	1	
14	AT377287	HOSE BARB	1	
15	Y0269300340	COOLANT HOSE	1	
16	Y0269303200	COOLANT HOSE	1	
17	0605515198	HOSE BAND	2	
18	T317541	BLACK TEE-FITTING WITH ORIFICE.....	1.....	REPLACES P/N 0602022976
19	T296925	WHITE TEE-FITTING	1.....	REPLACES P/N 0602022977
20	Y0379602350	COOLANT HOSE	2	
21	Y0605515340	HOSE BAND	4	
22	Y0602022559	90° ELBOW	1	
23	0602022980	HOSE JOINT	1	
24	Y0379703250	COOLANT HOSE	1	
25	Y0379700520	COOLANT HOSE	1	
26	Y0605515341	HOSE BAND	6	
27	0191300250	VENT HOSE	1	
28	0191300600	VENT HOSE	1	
29	0191300900	VENT HOSE	1	
30	Y0603306677	TEE-FITTING	1	
31	Y0605515340	HOSE BAND	6	
32	0601851756	GROMMET	1	
33	H216170	DEF TANK VENT FITTING	1.....	REPLACES P/N 0602330402
34	H216169	DEF TANK VENT FILTER	1.....	REPLACES P/N 0602330401
35	RE575061	NOX SENSOR	2.....	REPLACES P/N 0602330427

DEF TANK ASSY. (CONT'D.)



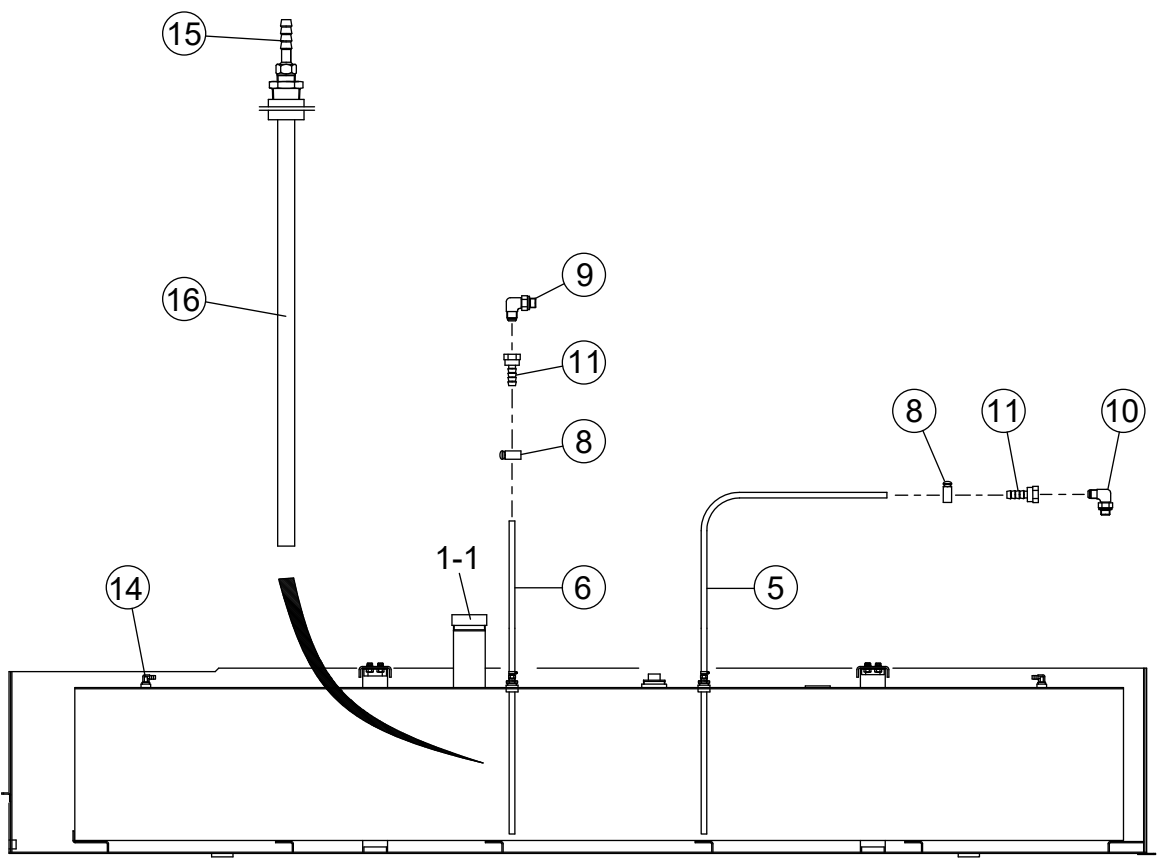
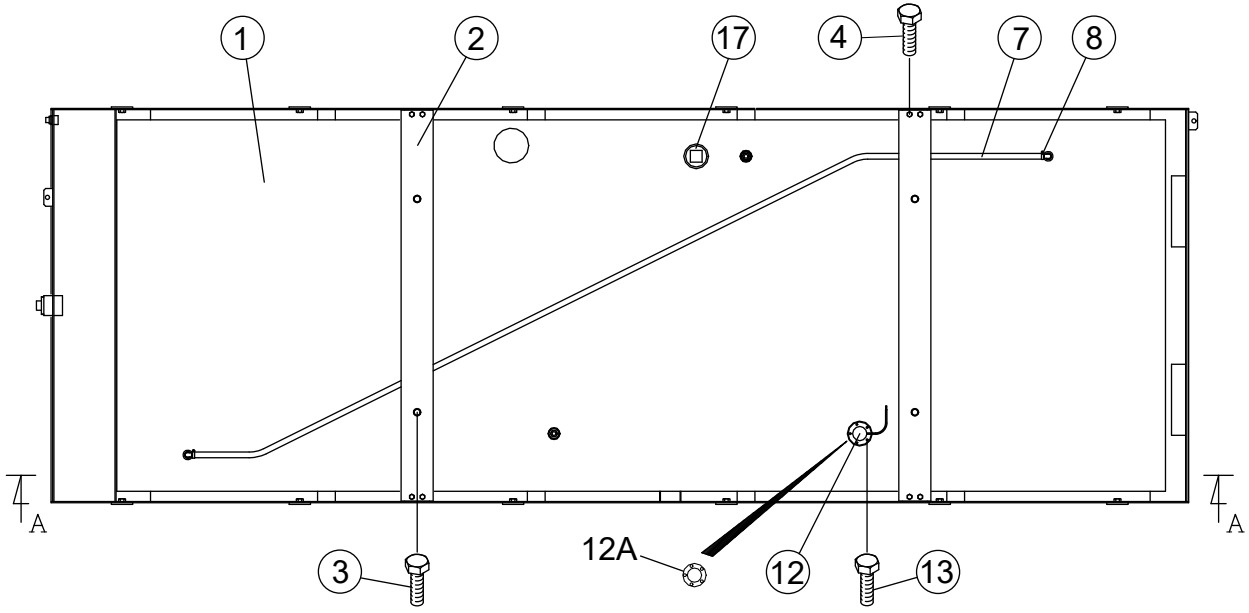
DETAIL-C



DEF TANK ASSY. (CONT'D.)

<u>NO.</u>	<u>PART NO.</u>	<u>PART NAME</u>	<u>QTY.</u>	<u>REMARKS2</u>
36	RE566739	SCR TEMP. SENSOR	1.....	REPLACES P/N 0602330426
37	0016906015	HEX. HEAD BOLT	6	
38	RE542006	STRAP, TEMPERATURE SENSOR	1.....	REPLACES P/N 0602330205
39	DZ103804	DEF HEADER	2.....	REPLACES P/N 0602330422
40	19M10399	HEX. HEAD BOLT	6	
41	M5331401804	DEF TANK HOSE	1	
42	Y0602022528	HOSE ADAPTER	2	
43	M3331402604	DEF TANK HOSE	1	
44	0605515198	HOSE BAND	4	
45	Y0602311190	HARNES INSULATING SLEEVE	2	

FUEL TANK ASSY.

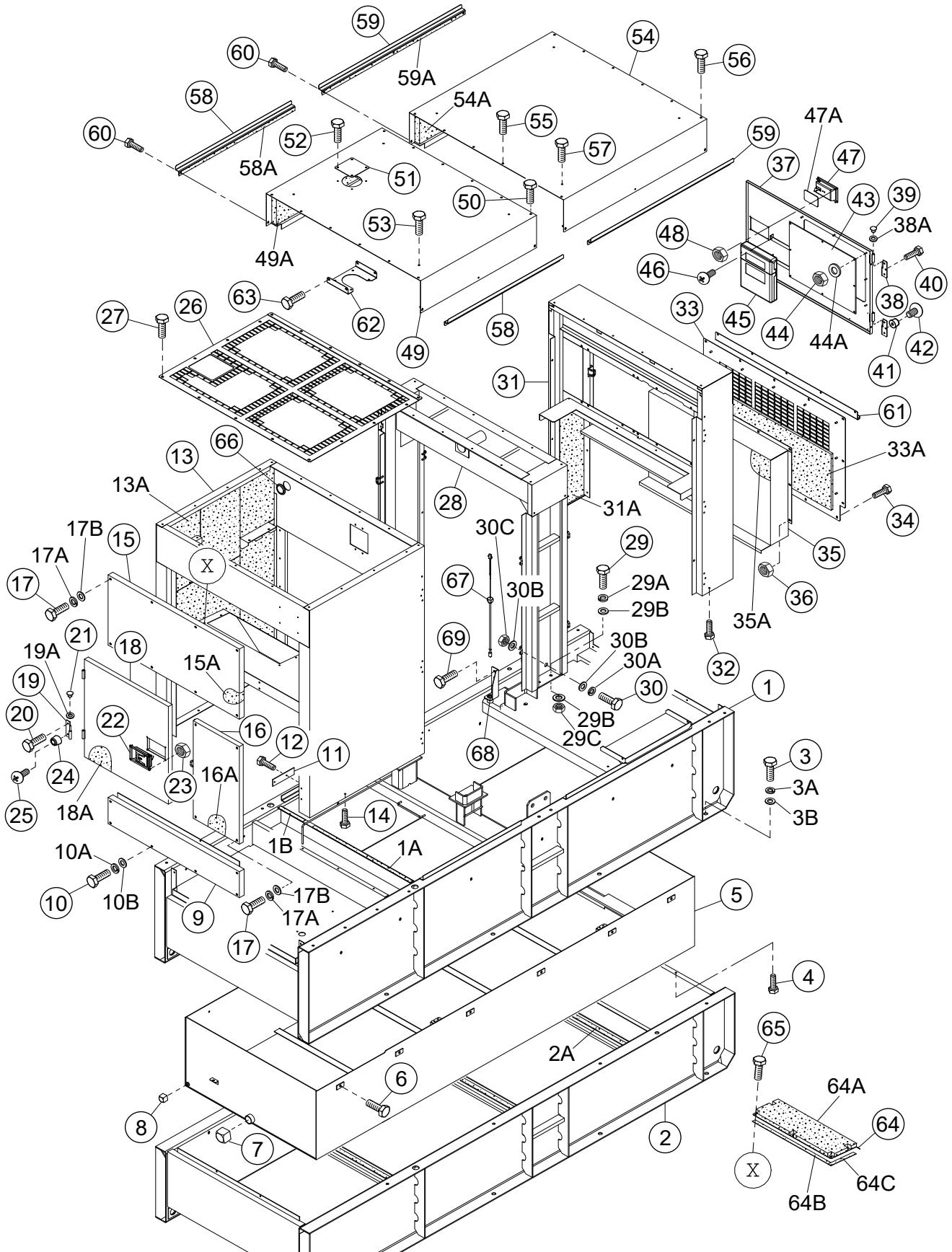


SECTION A-A

FUEL TANK ASSY.

<u>NO.</u>	<u>PART NO.</u>	<u>PART NAME</u>	<u>QTY.</u>	<u>REMARKS</u>
1	M3364000513	FUEL TANK	1	
1-1	0605505072	FUEL TANK CAP	1	
2	M3364300704	BRACKET, FUEL TANK	2	
3	0016910025	HEX. HEAD BOLT	4	
4	011008020	HEX. HEAD BOLT	8.....	REPLACES P/N 0016908020
5	Y0191300980	SUCTION HOSE	1	
6	Y0191300980	RETURN HOSE	1	
7	0191302700	VENT HOSE	1	
8	Y0605515340	HOSE BAND	6	
9	Y0602022577	90° ELBOW	1	
10	Y0602022578	90° ELBOW	1	
11	Y0602022985	HOSE JOINT	2	
12	Y0605501049	FUEL SENDER UNIT	1	
12A	0605516090	GASKET	1	
13	Y0605053021	HEX. HEAD BOLT	5	
14	0602022791	HOSE JOINT 1/2"	2	
15	0602022778	HOSE JOINT 3/8"	2	
16	M3364400504	PICK-UP TUBE	2	
17	Y0603306729	SQUARE HEAD PIPE PLUG	1	

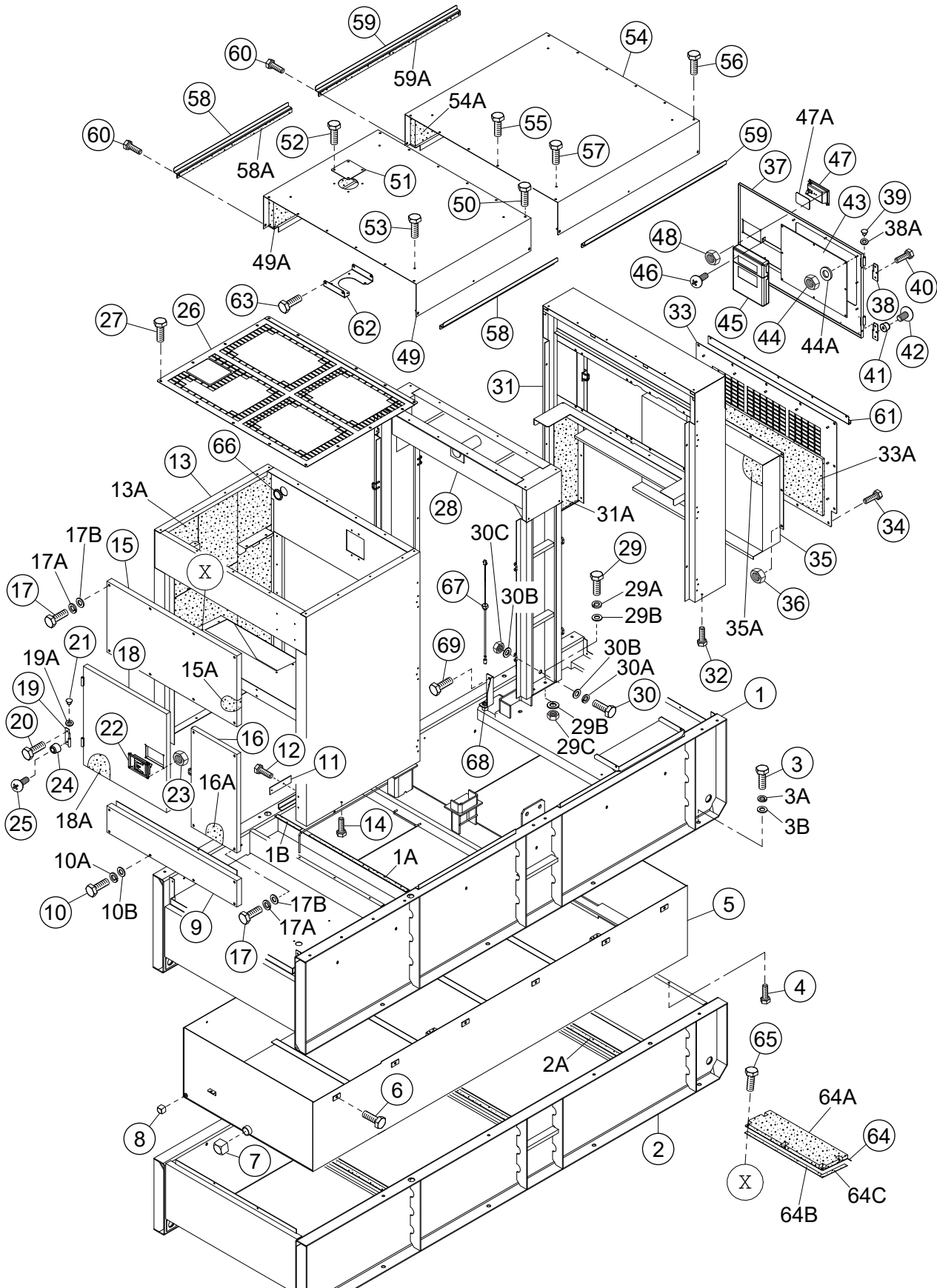
ENCLOSURE 1 ASSY.



ENCLOSURE 1 ASSY.

<u>NO.</u>	<u>PART NO.</u>	<u>PART NAME</u>	<u>QTY.</u>	<u>REMARKS</u>
1	M3414001102	BASE	1	S/N 8900402 AND BELOW
1	M3414001402	BASE	1	S/N 8900403 AND ABOVE
1A	Y0229200830	SEAL, RUBBER	1	
1B	0229200210	SEAL, RUBBER	1	
2	M3414001002	BASE	1	S/N 8900402 AND BELOW
2A	Y0222101080	SEAL, RUBBER	4	S/N 8900402 AND BELOW
3	0013616040	HEX. HEAD BOLT	8	S/N 8900402 AND BELOW
3A	0040016000	WASHER, LOCK	8	S/N 8900402 AND BELOW
3B	0041216000	WASHER, FLAT	8	S/N 8900402 AND BELOW
4	011208025	HEX. HEAD BOLT	2	REPLACES P/N 0016908025 S/N 8900402 AND BELOW
5	M3364300603	ENVIRONMENTAL TANK	1	
6	0016910030	HEX. HEAD BOLT	12	
7	0603306797	SQUARE HEAD PIPE PLUG 1-1/2"	1	
8	Y0603306793	SQUARE HEAD PIPE PLUG 1/2"	1	
9	M3414400103	BASE COVER	1	
10	0019108055	HEX. HEAD BOLT	6	
10A	0042308000	WASHER, LOCK	6	
10B	0401450080	WASHER, FLAT	6	REPLACES P/N 0042408000
11	M2414800304	HOLE COVER	1	
12	011008020	HEX. HEAD BOLT	2	REPLACES P/N 0016908020
13	M3424000802	FRONT FRAME	1	
13A	M3494112003	ACOUSTIC SHEET	1	
14	0016910025	HEX. HEAD BOLT	8	
15	M3424100003	PANEL, FRONT FRAME	1	
15A	M3494113204	ACOUSTIC SHEET	1	
16	M3424100103	PANEL, FRONT FRAME	1	
16A	M3494113504	ACOUSTIC SHEET	1	
17	0019108055	HEX. HEAD BOLT	12	
17A	0042308000	WASHER, LOCK	12	
17B	0401450080	WASHER, FLAT	12	REPLACES P/N 0042408000
18	M3424600203	DOOR, FRONT FRAME	1	
18A	M3494113604	ACOUSTIC SHEET	1	
19	M9110100204	HINGE	2	
19A	M9116100004	WASHER	2	
20	0019208020	HEX. HEAD BOLT	3	
21	0845031504	CAP	2	REPLACES P/N M9310000004
22	0605012309	DOOR HANDLE	1	
23	0176060030	SELF-LOCKING NUT	4	REPLACES P/N 0207006000
24	0601850097	STOPPER	1	
25	0027208025	MACHINE SCREW	1	
26	M3424201803	OVER COVER, FRONT FRAME	1	
27	0019208020	HEX. HEAD BOLT	17	
28	M3434000602	CENTER FRAME	1	
29	Y0013614040	HEX. HEAD BOLT	4	

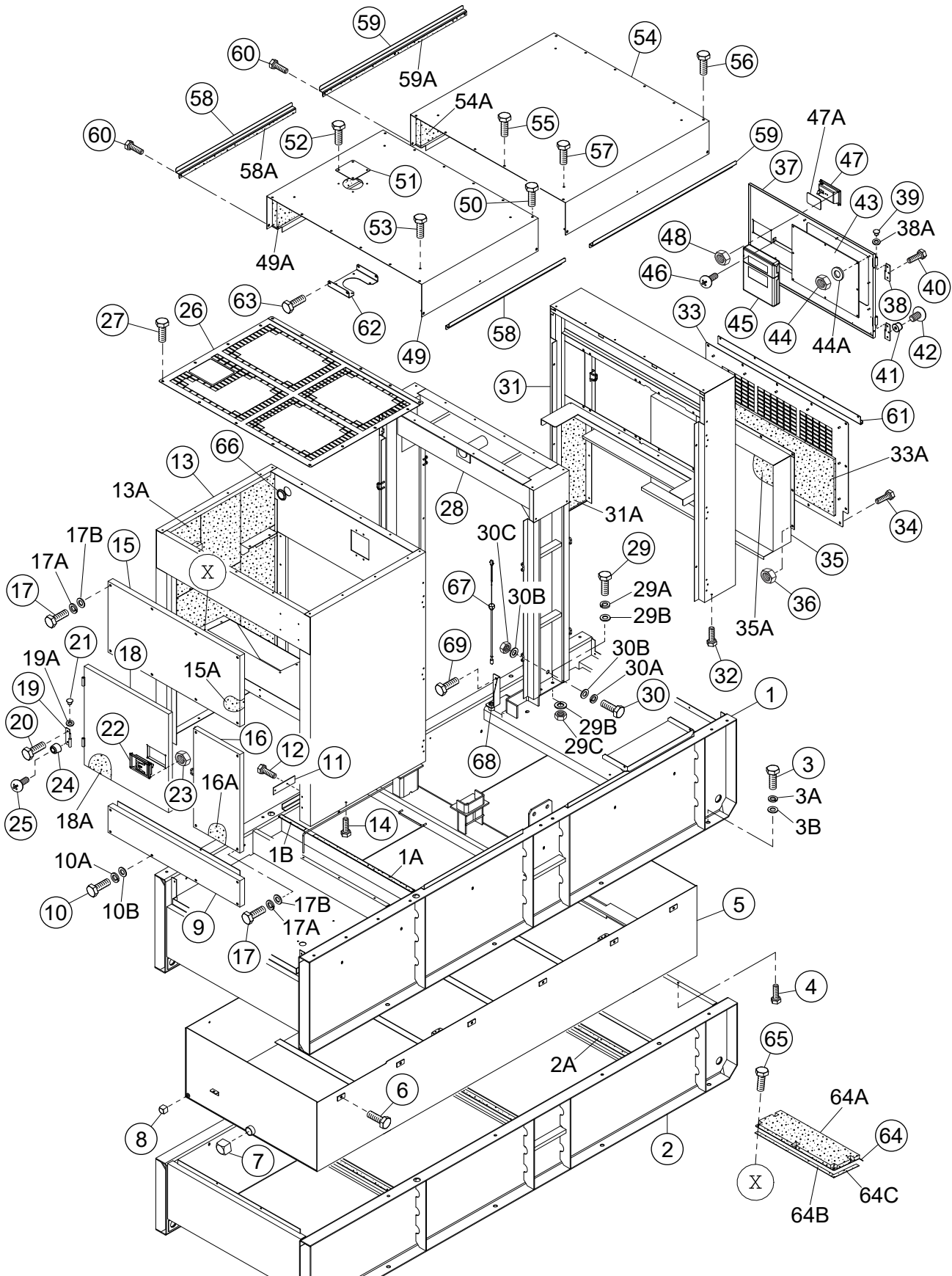
ENCLOSURE 1 ASSY. (CONT'D.)



ENCLOSURE 1 ASSY. (CONT'D)

NO.	PART NO.	PART NAME	QTY.	REMARKS
29A	030214350	WASHER, LOCK.....	4.....	REPLACES P/N 0040014000
29B	031114260	WASHER, FLAT	8.....	REPLACES P/N 0041214000
29C	515455840	HEX. NUT	4.....	REPLACES P/N 0030014000
30	Y0013620050	HEX. HEAD BOLT	4	
30A	030220510	WASHER, LOCK.....	4.....	REPLACES P/N 0040020000
30B	0041220000	WASHER, FLAT	8	
30C	0030020000	HEX. NUT	4	
31	M3444000702	REAR FRAME	1	
31A	M3494302304	ACOUSTIC SHEET	1	
32	0016910025	HEX. HEAD BOLT	4	
33	M3444300904	COVER, REAR FRAME	1	
33A	M3494302404	ACOUSTIC SHEET	1	
34	0019208020	HEX. HEAD BOLT	14	
35	M4443300503	DUCT, REAR FRAME	1	
35A	M4493303004	ACOUSTIC SHEET	1	
36	020108060	SELF-LOCKING NUT	9.....	REPLACES P/N 0207008000
37	M3444200303	DOOR, REAR FRAME	1	
38	M9110100204	HINGE	2	
38A	M9116100004	WASHER	2	
39	0845031504	BLIND PLUG.....	2.....	REPLACES P/N M9310000004
40	0019208020	HEX. HEAD BOLT	3	
41	0601850097	STOPPER	1	
42	0027208025	MACHINE SCREW	1	
43	M4443600004	WINDOW PLATE	1	
44	020106050	SELF-LOCKING U-NUT	8.....	REPLACES P/N 0037906000
44A	952404470	WASHER, FLAT	8.....	REPLACES P/N 0041206000
45	0600800320	MANUAL PAK	1	
46	0021806015	MACHINE SCREW	4	
47	0605012309	DOOR HANDLE	1	
47A	C9312500004	SEAL, RUBBER	1	
48	0176060030	SELF-LOCKING NUT	4.....	REPLACES P/N 0207006000
49	M3464100502	ROOF PANEL	1	
49A	M3494504204	ACOUSTIC SHEET	1	
50	Y0019208035	HEX. HEAD BOLT	6	
51	M3310600004	COVER	1	
52	0019208020	HEX. HEAD BOLT	4	
53	0019210025	HEX. HEAD BOLT	4	
54	M3464200502	ROOF PANEL	1	
54A	M3494504304	ACOUSTIC SHEET	1	
55	Y0019208035	HEX. HEAD BOLT	6	
56	0019208020	HEX. HEAD BOLT	6	
57	0019210025	HEX. HEAD BOLT	4	
58	M3464500104	GUTTER	2	
58A	Y0229200980	SEAL, RUBBER	2	
59	M3464500204	GUTTER	2	
59A	Y0229201210	SEAL, RUBBER	2	

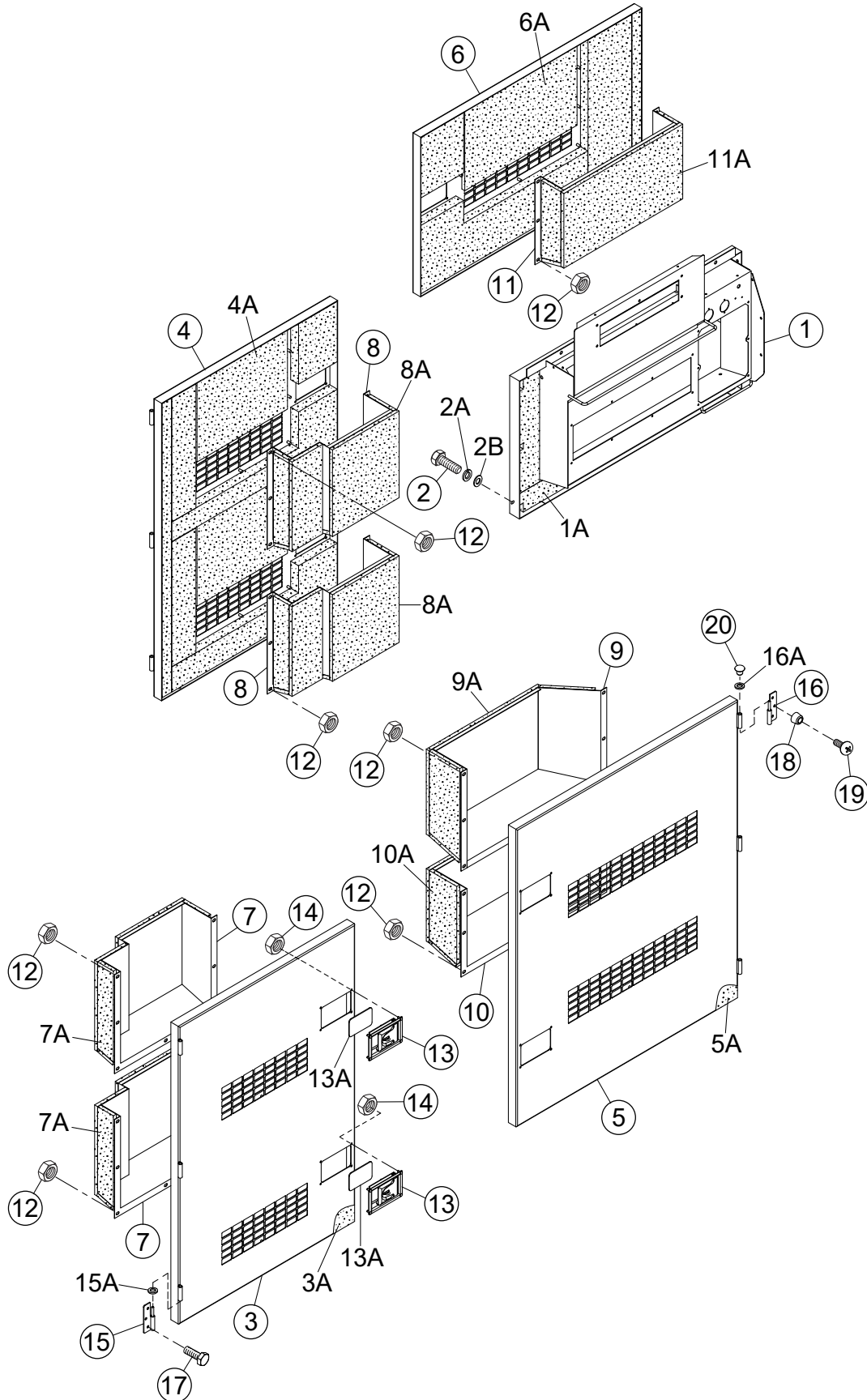
ENCLOSURE 1 ASSY. (CONT'D.)



ENCLOSURE 1 ASSY. (CONT'D.)

<u>NO.</u>	<u>PART NO.</u>	<u>PART NAME</u>	<u>QTY.</u>	<u>REMARKS</u>
60	0019208020	HEX. HEAD BOLT	12	
61	M3444800204	GUTTER	1	
62	M3317100004	BRACKET, SURGE TANK	1	
63	011008020	HEX. HEAD BOLT.....	4.....	REPLACES P/N 0016908020
64	M3424700904	DEF TANK COVER	1	
64A	M3494114004	ACOUSTIC SHEET	1	
64B	Y0229200665	SEAL, RUBBER	2	
64C	Y0229200215	SEAL, RUBBER	2	
65	011008020	HEX. HEAD BOLT.....	8.....	REPLACES P/N 0016908020
66	0601851736	GROMMET	1	
67	0605503062	FLOAT SWITCH	1	
68	M3414800504	BRACKET, FLOAT SWITCH	1	
69	011008020	HEX. HEAD BOLT.....	2.....	REPLACES P/N 0016908020

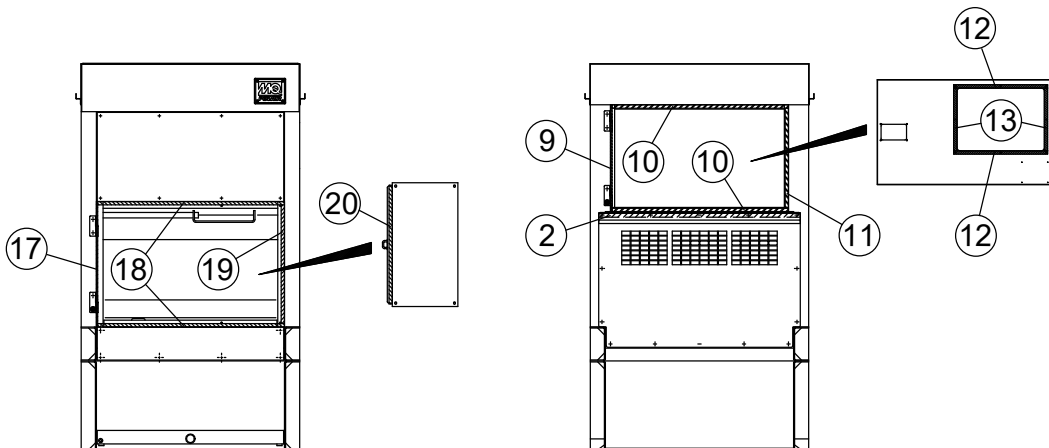
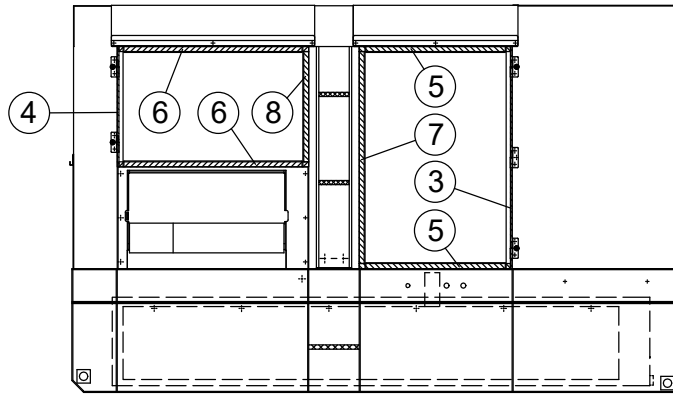
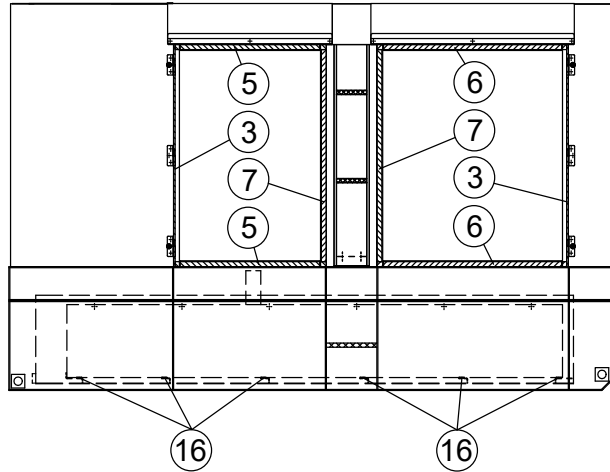
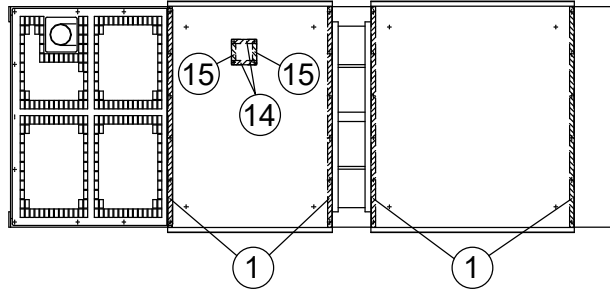
ENCLOSURE 2 ASSY.



ENCLOSURE 2 ASSY.

<u>NO.</u>	<u>PART NO.</u>	<u>PART NAME</u>	<u>QTY.</u>	<u>REMARKS</u>
1	M3454200802	SPLASHER PANEL	1	
1A	M3494421504	ACOUSTIC SHEET	1	
2	0019108065	HEX. HEAD BOLT	6	
2A	0042308000	WASHER, LOCK	6	
2B	0401450080	WASHER, FLAT	6.....	REPLACES P/N 0042408000
3	M3454002503	SIDE DOOR	1	
3A	M3494420604	ACOUSTIC SHEET	1	
4	M3454002603	SIDE DOOR	1	
4A	M3494420704	ACOUSTIC SHEET	1	
5	M3454002703	SIDE DOOR	1	
5A	M3494420804	ACOUSTIC SHEET	1	
6	M3454002803	SIDE DOOR	1	
6A	M3494420904	ACOUSTIC SHEET	1	
7	M3454301504	DUCT	2	
7A	M3494421004	ACOUSTIC SHEET	2	
8	M3454301604	DUCT	2	
8A	M3494421104	ACOUSTIC SHEET	2	
9	M3454301704	DUCT	1	
9A	M3494421204	ACOUSTIC SHEET	1	
10	M5454301004	DUCT	1	
10A	M3494421304	ACOUSTIC SHEET	1	
11	M3454301804	DUCT	1	
11A	M3494421404	ACOUSTIC SHEET	1	
12	Y0207008000	SELF-LOCKING NUT	49	
13	Y0605012309	DOOR HANDLE	7	
13A	C9312500004	SEAL, RUBBER	7	
14	0176060030	SELF-LOCKING NUT	28.....	REPLACES P/N 0207006000
15	M9110100804	HINGE	5	
15A	M9116100004	WASHER	5	
16	M9110100904	HINGE	6	
16A	M9116100004	WASHER	6	
17	0019208020	HEX. HEAD BOLT	25	
18	0601850097	STOPPER	8	
19	0027208025	MACHINE SCREW	8	
20	0845031504	BLIND PLUG.....	11.....	REPLACES P/N M9310000004

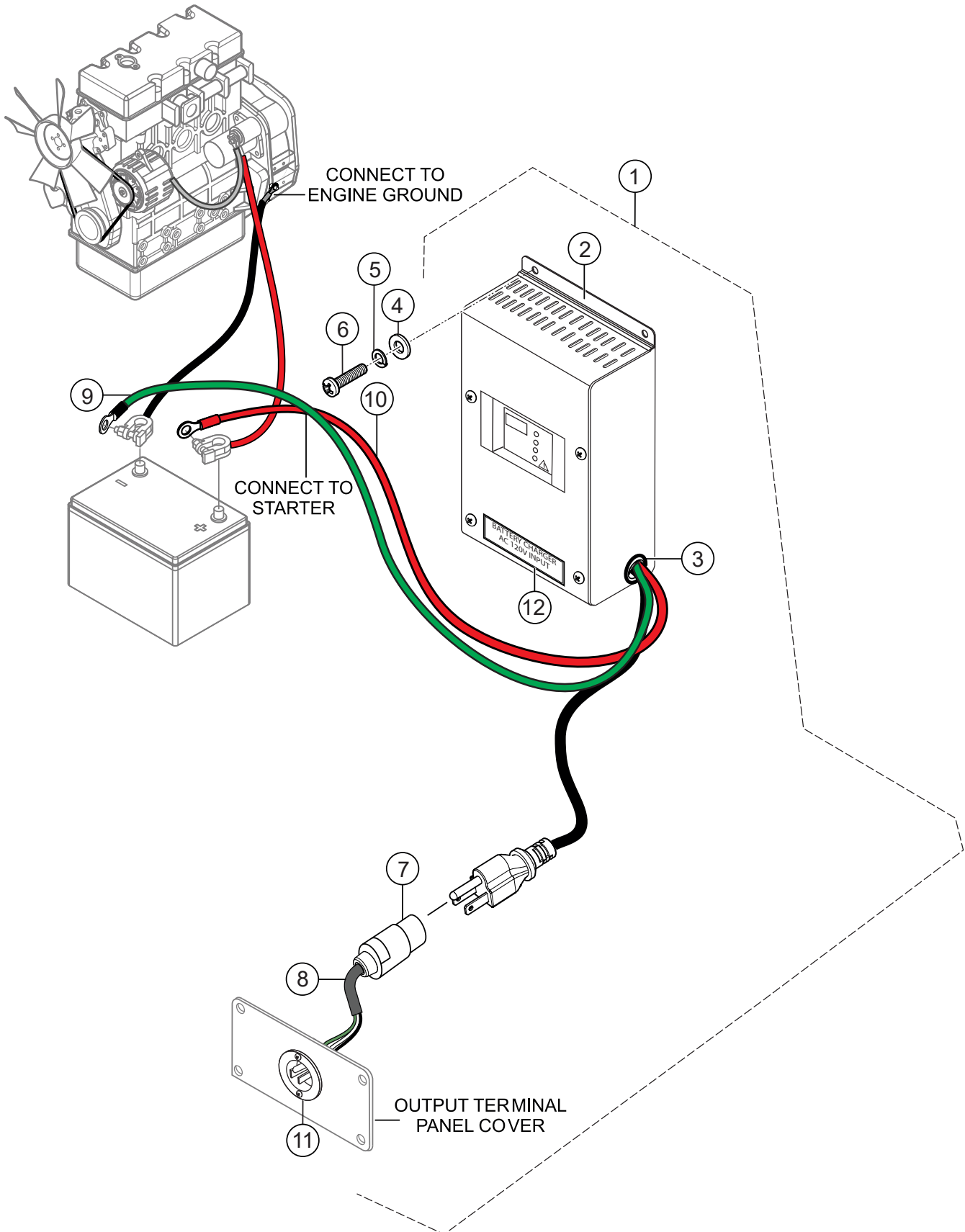
RUBBER SEALS ASSY.



RUBBER SEALS ASSY.

<u>NO.</u>	<u>PART NO.</u>	<u>PART NAME</u>	<u>QTY.</u>	<u>REMARKS</u>
1	0229201300	SEAL, RUBBER	4	
2	0229201200	SEAL, RUBBER	1	
3	0228901310	SEAL, RUBBER	3	
4	0228900710	SEAL, RUBBER	1	
5	0228900900	SEAL, RUBBER	4	
6	0228901130	SEAL, RUBBER	4	
7	0228901250	SEAL, RUBBER	3	
8	0228900650	SEAL, RUBBER	1	
9	0229400630	SEAL, RUBBER	1	
10	0228801050	SEAL, RUBBER	2	
11	0228800590	SEAL, RUBBER	1	
12	0228100560	SEAL, RUBBER	2	
13	0228100370	SEAL, RUBBER	2	
14	Y0229200145	SEAL, RUBBER	2	
15	Y0229200100	SEAL, RUBBER	2	
16	Y0222101100	SEAL, RUBBER	6	
17	Y0229400740	SEAL, RUBBER	1	
18	Y0228801110	SEAL, RUBBER	2	
19	Y0228800700	SEAL, RUBBER	1	
20	Y0229400700	SEAL, RUBBER	1	

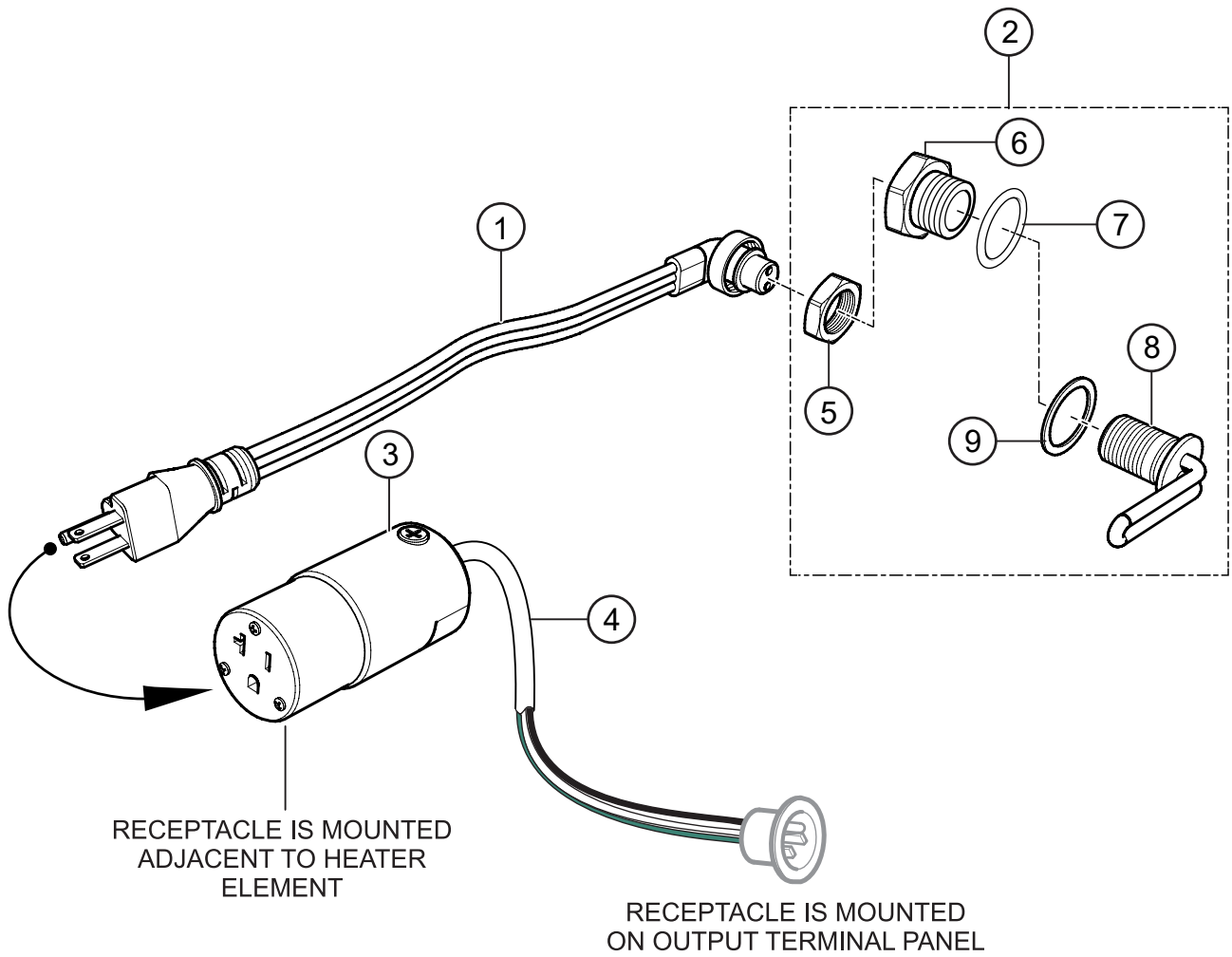
BATTERY CHARGER ASSY. (OPTION)



BATTERY CHARGER ASSY. (OPTION)

<u>NO.</u>	<u>PART NO.</u>	<u>PART NAME</u>	<u>QTY.</u>	<u>REMARKS</u>
1	MQPBCKIT-H	BATTERY CHARGER KIT	1.....	INCLUDES ITEMS W/#
2#	EE57370	CHARGER, 10A 12/24V NRG BATTERY	1	
3#		GROMMET, 7/8" HOLE SIZE.....	1.....	OBTAIN LOCALLY
4		WASHER, FLAT M4.....	4.....	OBTAIN LOCALLY
5		WASHER, LOCK M4.....	4.....	OBTAIN LOCALLY
6		SCREW, M4X10	4.....	OBTAIN LOCALLY
7#	HBL5369C	CONNECTOR, 20A, 125V	1	
8#	EE56557	CORD, 3-CONDUCTOR, 14 AWG (10 FT.)	10.....	1 PC = 1 FT
9		WIRE, 16 AWG GREEN	AR.....	OBTAIN LOCALLY
10		WIRE, 16 AWG RED.....	AR.....	OBTAIN LOCALLY
11#	HBL5278C	INLET FLANGE 15AMP NEMA, 125V	1	
12#	M1940011014Q	DECAL, BATTERY CHARGER	1	

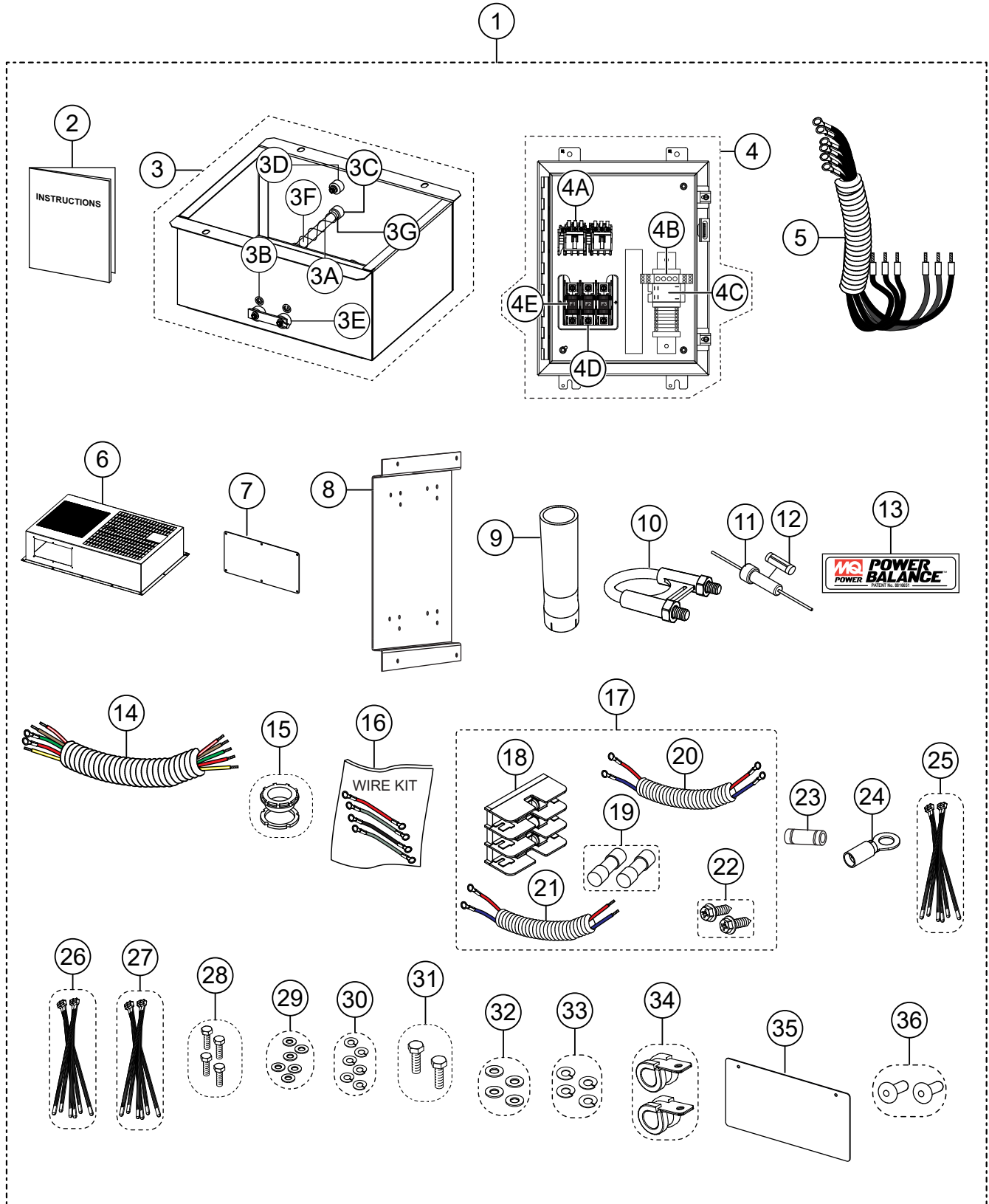
WATER HEATING ELEMENT ASSY. (OPTION)



WATER HEATING ELEMENT ASSY. (OPTION)

<u>NO.</u>	<u>PART NO.</u>	<u>PART NAME</u>	<u>QTY.</u>	<u>REMARKS</u>
1	AR50411	POWER CORD, 90°	1	
2	RE42139	HEATER, COOLANT 1000W	1.....	INCLUDES ITEMS W/#
3	HBL5369C	CONNECTOR, 20A, 125V	1	
4	EE56557	CORD, CAROL 3/C 14AWG	10.....	1 PC = 1 FT
5#		NUT, CLAMPING	1	
6#		ADAPTER	1	
7#		O-RING	1	
8#		HEATER ELEMENT	1	
9#		GASKET	1	

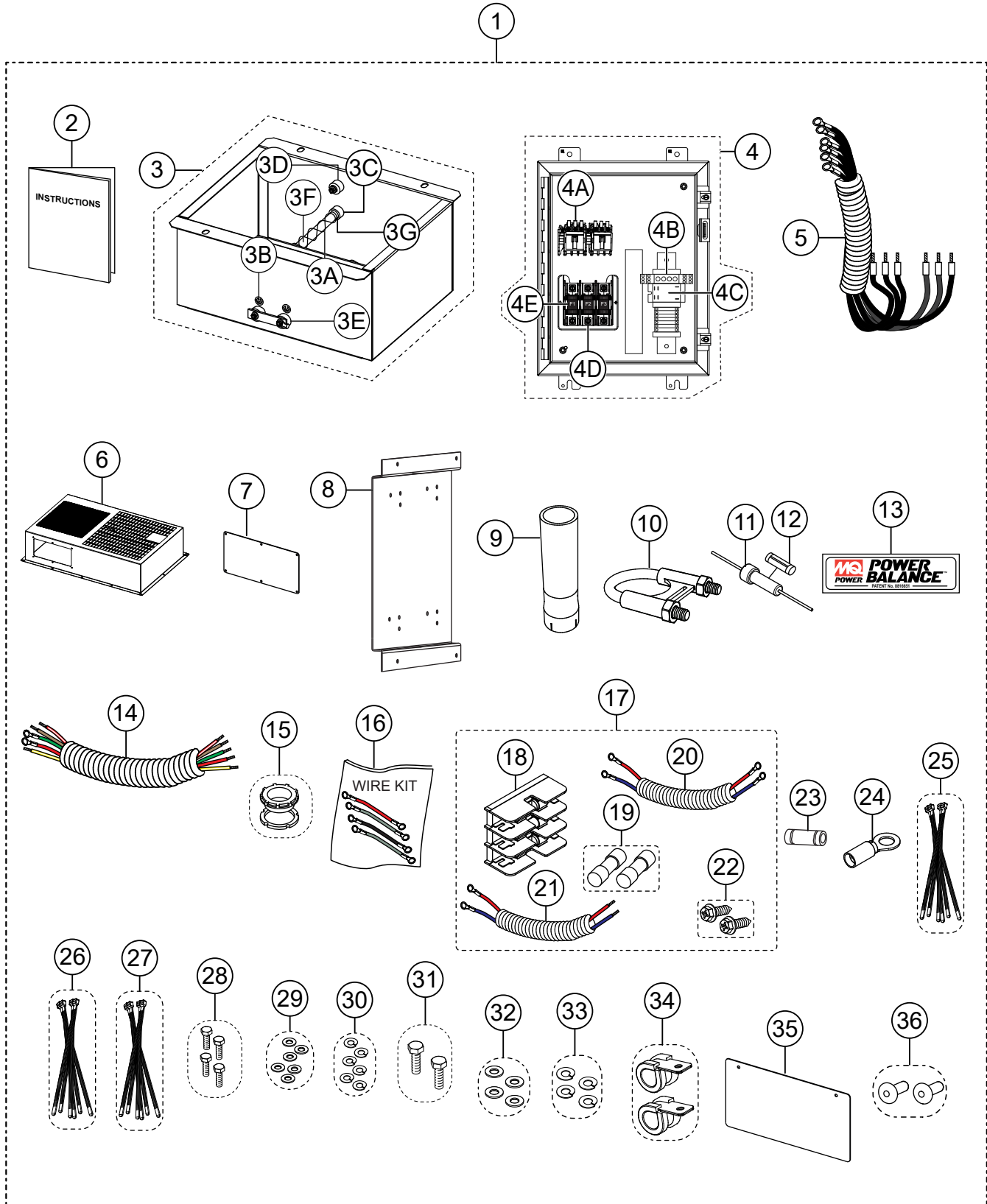
POWER BALANCE ASSY.



POWER BALANCE ASSY.

NO.	PART NO.	PART NAME	QTY.	REMARKS
1	MQPPB180J4F	KIT, POWER BALANCE	1.....	INCLUDES ITEMS W/#
2#	EE60796	WORK INST, POWER BALANCE	1	
3#	EE60546	RESISTOR ASSY., 50 KW.....	1.....	INCLUDES ITEMS W/%
3A%#	LBV-RE68	RESISTOR ELEMENT	12	
3B%#	LBD538/L1134-RA	ELEMENT ROD	12	
3C%#	P0267	CERAMIC INSULATOR THROUGH ROD	24	
3D%#	C0010-8	CERAMIC SPACER	48	
3E%#	P0273-4	INSULATOR, TERMINAL, 1/4	24	
3F%#	P0073-516R	INSULATOR, L3 STEATITE EXTRUDED	96	
3G%#	LBD163	HARDWARE, PR END SPRING	24	
4#	EE60569	CONTACTOR ASSY., 50 KW, 12V.....	1.....	INCLUDES ITEMS W/\$
4A\$#	LBD1132	CONTACTOR, 3 POLE, 75A, 12VDC	2	
4B\$#	LBD1056	RELAY, VOLTAGE CONTROL, 460V	1	
4C\$#	LBD707	RELAY, DPDT, 12VDC	1	
4D\$#	LBD560	FUSE HOLDER, 400A, 1000V	3	
4E\$#	LBD132	FUSE, 150A, 600V	3	
5#	EE60789	HARNESS ASSY.	1	
6#	EE60545	W/A RESISTOR COVER	1	
7#	EE58650	SIDE PLATE, RESISTOR COVER	2	
8#	EE58032	BRACKET CONTACTOR BOX	1	
9#	EE60563	TAILPIPE EXT., 5"X13.5" LONG, SS	1	
10#	EE16728	U-CLAMP, 5"X3/8", ZINC PLTD.	1	
11#	303110	IN-LINE, FUSE HOLDER.....	1.....	INCLUDES ITEMS W/@
12@#		FUSE, 10A (AGC10)	1	
13#	EE61332	DECAL, POWERBALANCE	1	
14#	EE58893	WIRE HARNESS, DC	1	
15#	EE58338	BUSHING, INSULATED W/ NUT	1	
16#	EE60790	POWER WIRES, 50 KW	1	
17#	EE60176	SENSING KIT HARNESS.....	1.....	INCLUDES ITEMS W/*
18*#	EE5759	FUSE BLOCK, 3 POLE	1	
19*#	EE5804	FUSE, GOULD SHAWMUT, 10A	2	
20*#	EE60164	HARNESS, AC SENSING 6' LONG	1	
21*#	EE60165	HARNESS, AC SENSING 2' LONG	1	
22*#		SCREW, 8-1/2" SELF TAPPING	2	
23#		BUTT SPLICE, 14-16 GA	1	
24#		RING TERMINAL, 14-16 GA X #10	1	
25#		TIE WRAP, #4	10	
26#		TIE WRAP, #6	10	
27#		TIE WRAP, #8	10	
28#		SCREW, M6X15MM, SS	22	
29#		WASHER, FLAT, M6, SS	24	
30#		WASHER, LOCK, M6, SS	22	

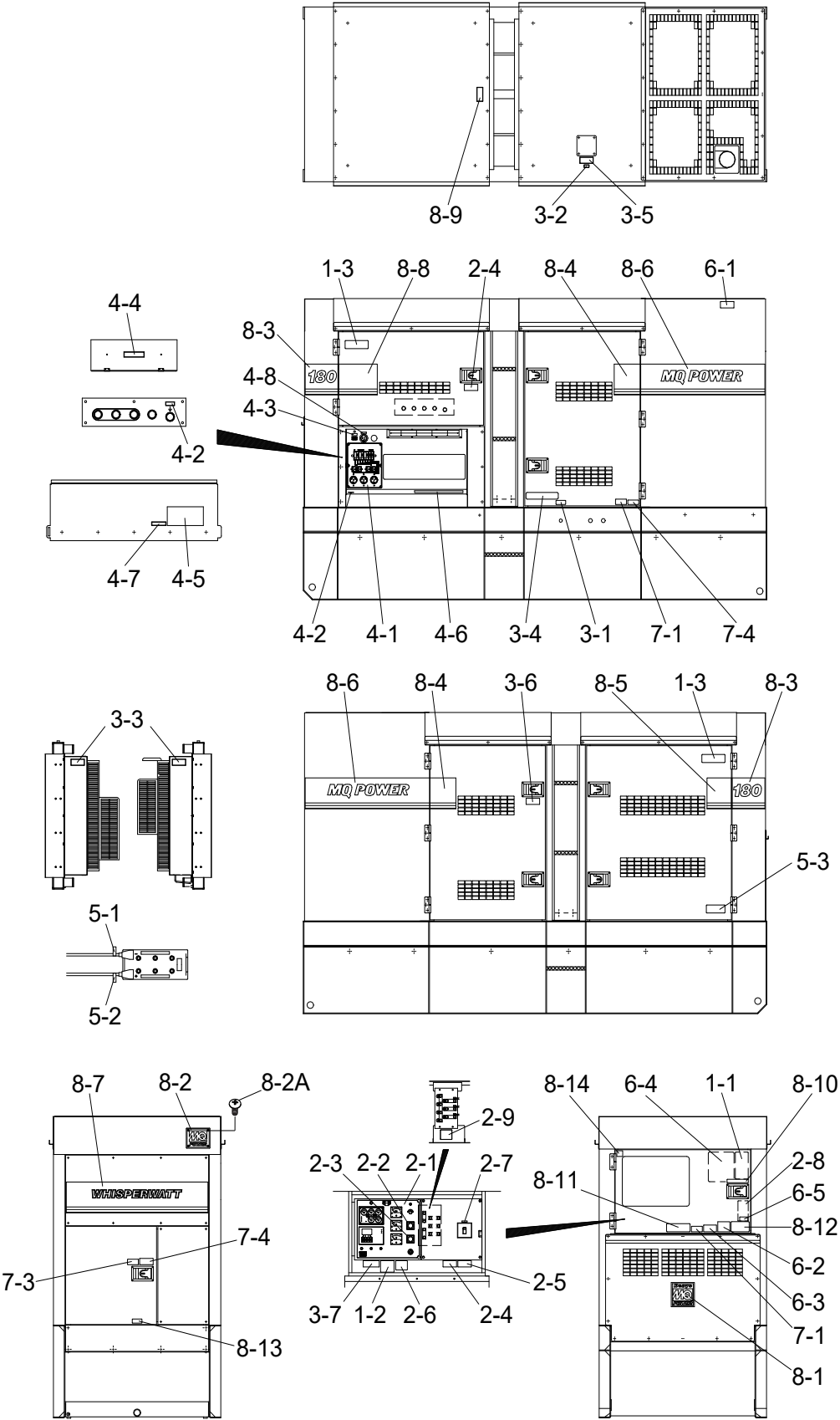
POWER BALANCE ASSY. (CONT'D.)



POWER BALANCE ASSY. (CONT'D.)

<u>NO.</u>	<u>PART NO.</u>	<u>PART NAME</u>	<u>QTY.</u>	<u>REMARKS</u>
31#		SCREW, M8X15MM, SS	4	
32#		WASHER, FLAT, M8, SS	4	
33#		WASHER, LOCK, M8, SS	4	
34#		G-CLAMP, #20 (1-1/4")X1/4" HOLE	2	
35#	EE62004	BAFFLE, POWER BALANCE RESISTOR	2	
36#		RIVET, 3/16", ALUM.	4	

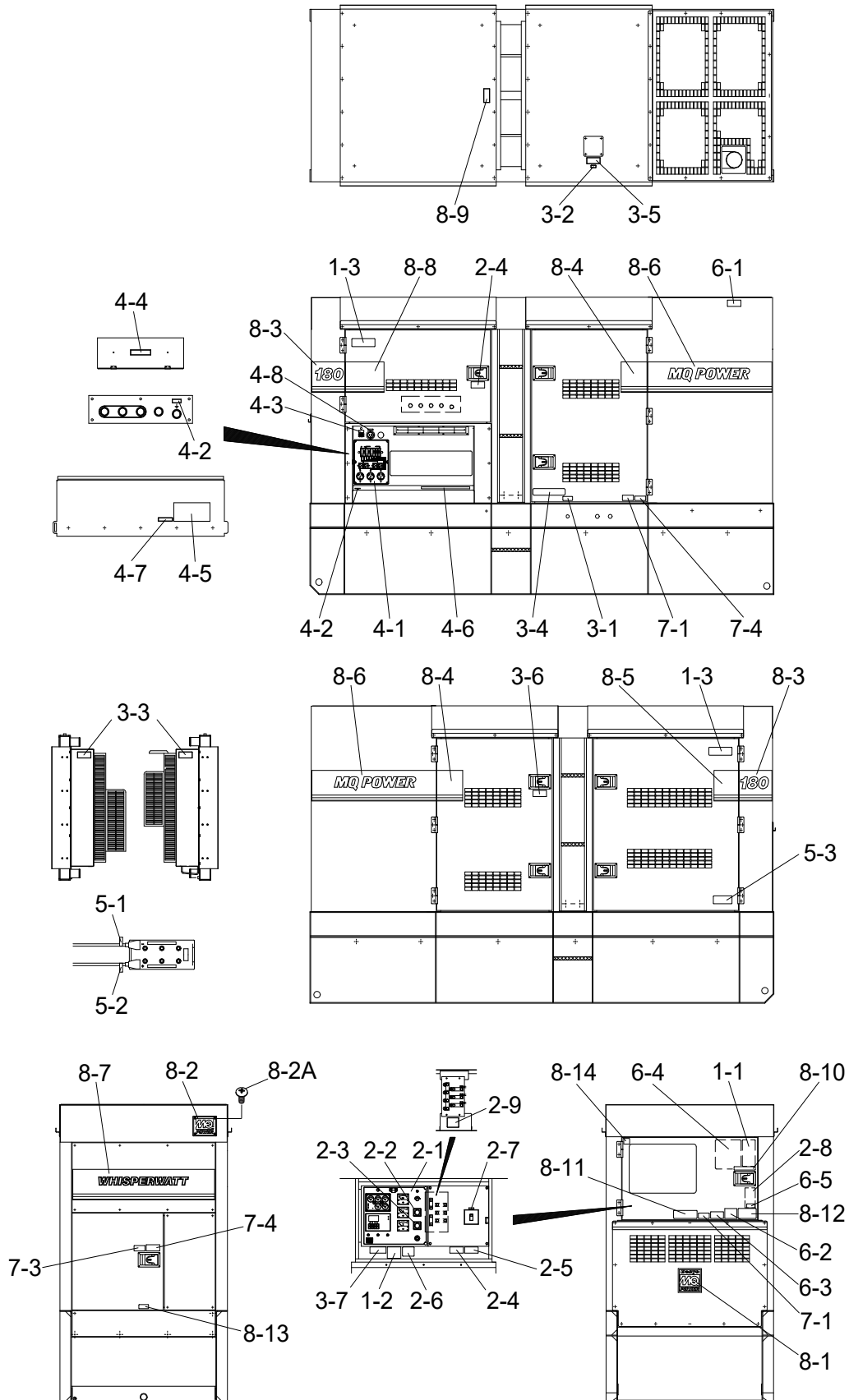
NAMEPLATE AND DECALS ASSY.



NAMEPLATE AND DECALS ASSY.

NO.	PART NO.	PART NAME	QTY.	REMARKS
1-1	M3551000103	DECAL: OPERATING PRECAUTIONS.....	1.....	M35100010
1-2	M9520100304	DECAL: SAFETY INSTRUCTIONS	1.....	M92010030
1-3	M9520100603	DECAL: CAUTION	2.....	M92010060
CONTROL PANEL AND BOX GROUP				
2-1	M3511002102	DECAL: CONTROL PANEL	1.....	M31100210
2-2	M9520000104	PLATE: AMMETER CHANGE-OVER SW.....	1.....	M92000010
2-3	M9520000204	PLATE: VOLTMETER CHANGE-OVER SW.....	1.....	M92000020
2-4	M9520100004	DECAL: WARNING: ELECT. SHCK. HAZARD..	2.....	M92010000
2-5	M9520100704	DECAL: WARNING: ARC FLASH	1.....	M92010070
2-6	M9520200404	DECAL: O.C.R RESET	1.....	M92020040A
2-7	M9522000504	DECAL: CIRCUIT BREAKER	1.....	M92200050
2-8	M9520200303	DECAL: SETTING FOR OUTPUT VOLTAGE ...	1.....	M92020030
2-9	M9520200504	DECAL: SETTING FOR OUTPUT VOLTAGE(S)	1.....	M92020050
ENGINE AND RADIATOR GROUP				
3-1	M9500000004	DECAL: OIL DRAIN	1.....	M90000000
3-2	M9500100004	DECAL: WATER.....	1.....	M90010000
3-3	M9503000004	DECAL: WARNING: ROTATING PART.....	2.....	M90300000
3-4	M9503000103	DECAL: WATER-OIL CHECK	1.....	M90300010
3-5	M9503100004	DECAL: WARNING: HOT COOLANT	1.....	M90310000
3-6	M9510100004	DECAL: CAUTION: HOT PARTS	1.....	M91010000
3-7	M9501300004	DECAL: CAUTION: BATTERY CABLES	1.....	M90130000
OUTPUT TERMINAL GROUP				
4-1	M3511002003	DECAL: AUXILIARY OUTPUT	1.....	M31100200
4-2	M9520000004	DECAL: GROUND	2.....	M92000000
4-3	M9520000504	DECAL: START CONTACT	1.....	M92000050
4-4	M9520000704	DECAL: 3-PHASE OUTPUT TERMINAL.....	1.....	M92000070
4-5	M9520100404	DECAL: DANGER: HIGH VOLTAGE	1.....	M92010040
4-6	M9520100503	DECAL: WARNING	1.....	M92010050
4-7	M9521200604	DECAL: BONDED NEUTRAL.....	1.....	M92120060
4-8	M9522000004	DECAL: WATER HEATER.....	1.....	S/N 8900418 AND ABOVE
BATTERY GROUP				
5-1	M9500300004	DECAL: -	1.....	M90030000
5-2	M9500300104	DECAL: +	1.....	M90030010
5-3	M9510100403	DECAL: CAUTION	1.....	M91010040
MUFFLER GROUP				
6-1	M9503200004	DECAL: WARNING: ENGINE EXHAUST.....	1.....	M90320000
6-2	M9503200104	DECAL: DANGER: EXHAUST GAS (INDOOR).	1.....	M90320010
6-3	M9504200004	DECAL: WARNING: START FIRES	1.....	M90420000
6-4	M2551000703	DECAL: EX. FILTER CLEAN PROCEDURES ...	1.....	M25100070
6-5	M9504200104	DECA: WARNING: PROPOSITION 65	1.....	M90420010 S/N 8900463 AND ABOVE

NAMEPLATE AND DECALS ASSY. (CONT'D.)



NAMEPLATE AND DECALS ASSY. (CONT'D.)

<u>NO.</u>	<u>PART NO.</u>	<u>PART NAME</u>	<u>QTY.</u>	<u>REMARKS</u>
FUEL TANK GROUP				
7-1	M9501500004	DECAL: DIESEL FUEL	2.....	M90150000
7-2	M9541100004	DECAL: CAUTION: EXHAUST FLUID ONLY	1.....	M94110000
7-3	M9501500104	DECAL: DIESEL EXHAUST FLUID	1.....	M90150010
7-4	M9504500004	DECAL: REFILL DEF AS WELL	1.....	M90450000
ENCLOSURE GROUP				
8-1	M9511200204	DECAL: MQ	1.....	M91120020
8-2	0600500092	EMBLEM	1	
8-2A	0021106015	MACHINE SCREW	4	
8-3	M3561100904	STRIPE	2	
8-4	M5560101604	STRIPE	2	
8-5	M3561101004	STRIPE	1	
8-6	M3561101103	STRIPE	2	
8-7	M3561101303	STRIPE	1	
8-8	M3561101204	STRIPE	1	
8-9	M5550000004	DECAL: CAUTION	1.....	M55000000
8-10	M9510000104	DECAL: DOCUMENT BOX LOCATED	1.....	M91000010
8-11	M9511200103	DECAL: TIER 4F	1.....	M91120010
8-12	M9511100004	DECAL: WARNING: ENVIRONMENTAL.....	1.....	M91110000
8-13	M9510000004	DECAL: FLUID DRAIN.....	1.....	M91000000
8-14	Y0600500094	DECAL: E-COAT MARK STICKER	1	