

PARTS MANUAL



**WHISPERWATT™ SERIES
MODEL DCA150SSJU4F
60Hz GENERATOR
(JOHN DEERE 6068HFG08 DIESEL ENGINE)**

PARTS LIST NO. M3871300204D

Revision #2 (08/16/21)



THIS MANUAL MUST ACCOMPANY THE EQUIPMENT AT ALL TIMES.

DCA150SSJU4F 60Hz Generator

Table Of Contents.....	2
Explanation Of Code In Remarks Column.....	4
Suggested Spare Parts	5

Component Drawings

Generator Assembly	6–7
Control Panel Assembly	8–9
Control Box Assembly	10–13
Engine And Radiator Assembly.....	14–17
Output Terminal Assembly.....	18–21
Battery Assembly.....	22–23
Muffler Assembly	24–25
Fuel Line Routing (Plumbing) Assembly	26–29
Fuel Tank Assembly.....	30–31
Enclosure Assembly	32–37
Rubber Seals Assembly	38–39
Nameplate And Decals Assembly	40–43

NOTICE

Specifications and part numbers are subject to change without notice.

EXPLANATION OF CODE IN REMARKS COLUMN

The following section explains the different symbols and remarks used in the Parts section of this manual. Use the help numbers found on the back page of the manual if there are any questions.

NOTICE

The contents and part numbers listed in the parts section are subject to change **without notice**. Multiquip does not guarantee the availability of the parts listed.

SAMPLE PARTS LIST

NO.	PART NO.	PART NAME	QTY.	REMARKS
1	12345	BOLT	1	INCLUDES ITEMS W/%
2%		WASHER, 1/4 IN.		NOT SOLD SEPARATELY
2%	12347	WASHER, 3/8 IN. ...	1	MQ-45T ONLY
3	12348	HOSE	A/R	MAKE LOCALLY
4	12349	BEARING	1	S/N 2345B AND ABOVE

NO. Column

Unique Symbols — All items with same unique symbol (@, #, +, %, or >) in the number column belong to the same assembly or kit, which is indicated by a note in the “Remarks” column.

Duplicate Item Numbers — Duplicate numbers indicate multiple part numbers, which are in effect for the same general item, such as different size saw blade guards in use or a part that has been updated on newer versions of the same machine.

NOTICE

When ordering a part that has more than one item number listed, check the remarks column for help in determining the proper part to order.

PART NO. Column

Numbers Used — Part numbers can be indicated by a number, a blank entry, or TBD.

TBD (To Be Determined) is generally used to show a part that has not been assigned a formal part number at the time of publication.

A blank entry generally indicates that the item is not sold separately or is not sold by Multiquip. Other entries will be clarified in the “Remarks” Column.

QTY. Column

Numbers Used — Item quantity can be indicated by a number, a blank entry, or A/R.

A/R (As Required) is generally used for hoses or other parts that are sold in bulk and cut to length.

A blank entry generally indicates that the item is not sold separately. Other entries will be clarified in the “Remarks” Column.

REMARKS Column

Some of the most common notes found in the “Remarks” Column are listed below. Other additional notes needed to describe the item can also be shown.

Assembly/Kit — All items on the parts list with the same unique symbol will be included when this item is purchased.

Indicated by:

“INCLUDES ITEMS W/(unique symbol)”

Serial Number Break — Used to list an effective serial number range where a particular part is used.

Indicated by:

“S/N XXXXX AND BELOW”

“S/N XXXX AND ABOVE”

“S/N XXXX TO S/N XXX”

Specific Model Number Use — Indicates that the part is used only with the specific model number or model number variant listed. It can also be used to show a part is NOT used on a specific model or model number variant.

Indicated by:

“XXXXX ONLY”

“NOT USED ON XXXX”

“Make/Obtain Locally” — Indicates that the part can be purchased at any hardware shop or made out of available items. Examples include battery cables, shims, and certain washers and nuts.

“Not Sold Separately” — Indicates that an item cannot be purchased as a separate item and is either part of an assembly/kit that can be purchased, or is not available for sale through Multiquip.

SUGGESTED SPARE PARTS

DCA150SSJU4F WHISPERWATT GENERATOR WITH JOHN DEERE 6068HFG08 DIESEL ENGINE

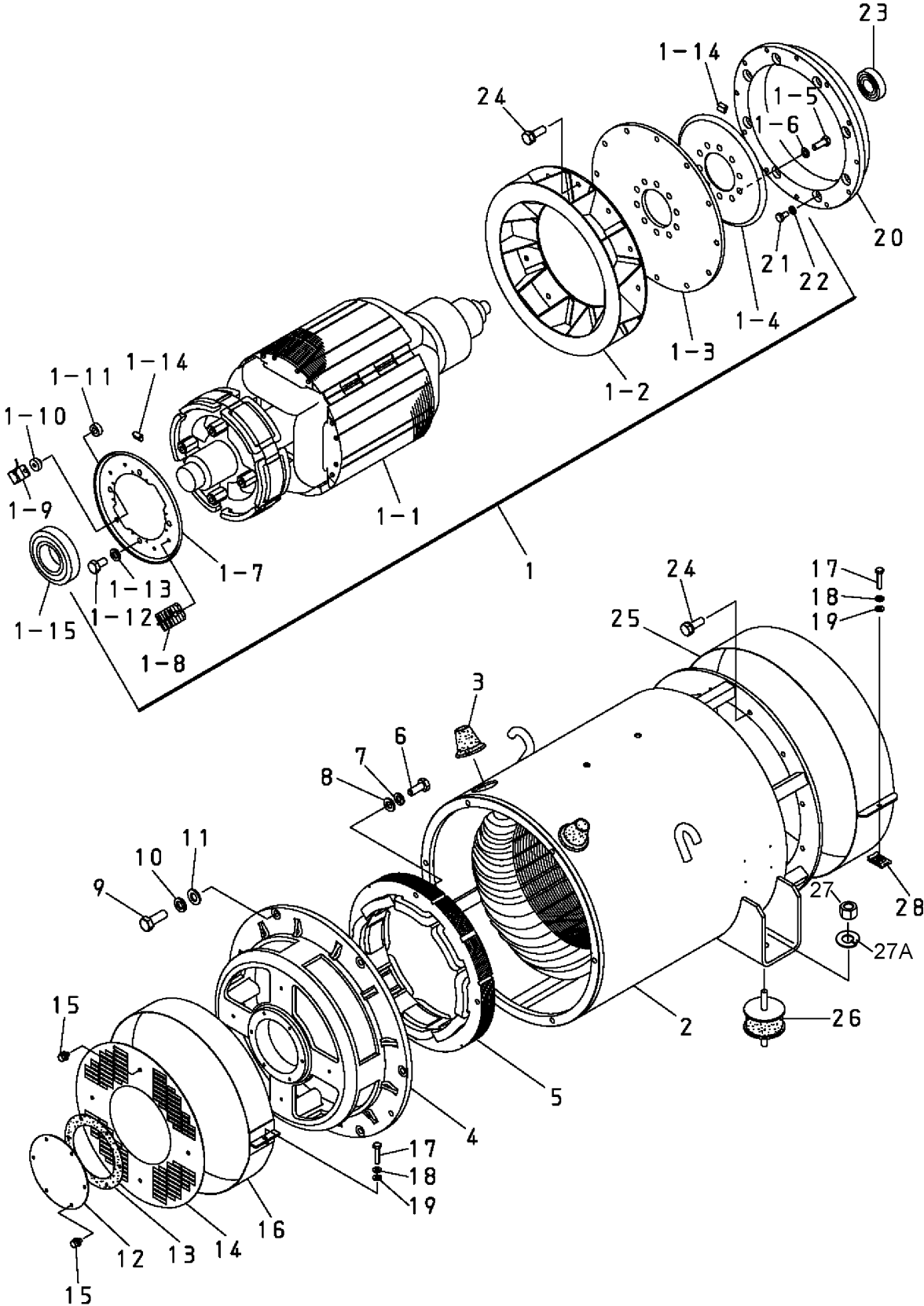
1 TO 3 UNITS

Qty.	P/N	Description
2.....	M3311500503.....	HOSE, RADIATOR, UPPER
2.....	M3311500603.....	HOSE, RADIATOR, LOWER
3.....	R529382	BELT, FAN
3.....	RE556406.....	FUEL FILTER KIT PRIMARY/SECONDARY
6.....	RE539279.....	FILTER, OIL CARTRIDGE
3.....	P537876	ELEMENT AIR CLEANER PRIMARY
3.....	P537877	ELEMENT AIR CLEANER SAFETY
1.....	.0601870440.....	CIRCUIT BREAKER 1P 20A, S/N 7601039 AND BELOW
1.....	.0601808803.....	CIRCUIT BREAKER 1P 20A, S/N 7601040 AND ABOVE
1.....	.0601870441.....	CIRCUIT BREAKER 2P 50A, S/N 7601039 AND BELOW
1.....	.0601808804.....	CIRCUIT BREAKER 2P 50A, S/N 7601040 AND ABOVE
2.....	LY2DUS12VDC	RELAY
1.....	.0601806643.....	FUSE, 15A
1.....	Y0601806647	FUSE, 25A

NOTICE

Part number on this Suggested Spare Parts list may supersede/replace the P/N shown in the text pages of this book.

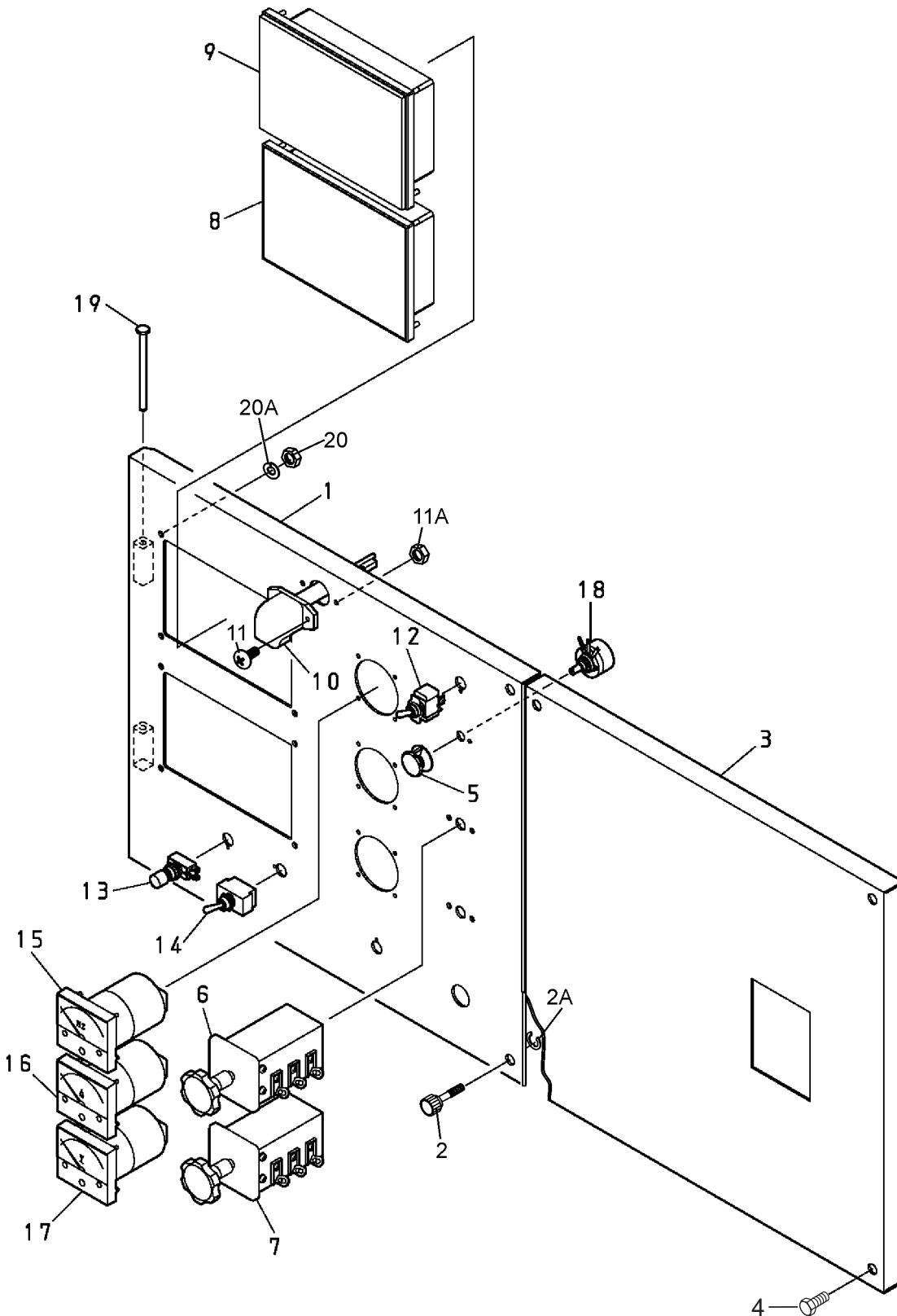
GENERATOR ASSY.



GENERATOR ASSY.

<u>NO.</u>	<u>PART NO.</u>	<u>PART NAME</u>	<u>QTY.</u>	<u>REMARKS</u>
1	C1110000122	ROTOR ASSY.	1.....	INCLUDES ITEMS W/#
1-1#		FIELD ASSY.	1	
1-2#	8131070013	FAN	1	
1-3#	8131611014	COUPLING DISK	8	
1-4#	8131015003	BALANCING PLATE	1.....	PURCHASE ITEM 1-14 AS A SET
1-5#	0012112035	HEX. HEAD BOLT	10	
1-6#	0042612000	WASHER, LOCK	10	
1-7#	8101026013	SET PLATE RECTIFIER.....	1.....	PURCHASE 1-14 AS A SET
1-8#	0601821349	RECTIFIER	2	
1-9#	Y0601822624	SURGE ABSORBER	1	
1-10#	8001020004	INSULATOR WASHER	1	
1-11#	8001020504	INSULATOR WASHER	1	
1-12#	012210020	HEX. HEAD BOLT	4.....	REPLACES P/N 0010110020
1-13#	0040010000	WASHER, LOCK	4	
1-14#	0601000209	BALANCING WEIGHT KIT	1	
1-15#	0071906312	BEARING	1	
2	C0130000603	STATOR ASSY.	1	
3	0845041804	GROMMET	2	
4	8131315202	END BRACKET	1	
5	8101350013	FIELD ASSY., EXCITER	1	
6	0012110060	HEX. HEAD BOLT	4	
7	0042610000	WASHER, LOCK	4	
8	031110160	WASHER, FLAT	4.....	REPLACES P/N 0041210000
9	0010112035	HEX. HEAD BOLT	6	
10	0040012000	WASHER, LOCK	6	
11	031112230	WASHER, FLAT	6.....	REPLACES P/N 0041212000
12	8131310104	COVER, BEARING	1	
13	8131312204	GASKET, BEARING	1	
14	8131331003	COVER, END BRACKET	1	
15	0105050616	HEX. HEAD BOLT	10.....	REPLACES P/N 0017106012
16	8101333003	COVER, END BRACKET	1	
17	0010006030	HEX. HEAD BOLT	2.....	REPLACES P/N 0010106030
18	0040006000	WASHER, LOCK	2	
19	952404470	WASHER, FLAT	2.....	REPLACES P/N 0041206000
20	M3163400303	COUPLING RING	1	
21	0343204220	HEX. HEAD BOLT	8	
22	EM923344	WASHER, LOCK.....	8.....	REPLACES P/N 0043604000
23	0070506306	BEARING	1	
24	012010030	HEX. HEAD BOLT	24.....	REPLACES P/N 0012810030
25	C0131300004	COVER, FAN	1	
26	Y0605000463	RUBBER SUSPENSION	2	
27	0030016000	HEX. NUT	4	
27A	0040016000	WASHER, LOCK	4	
28	020106050	NUT.....	1.....	REPLACES P/N 0600815000

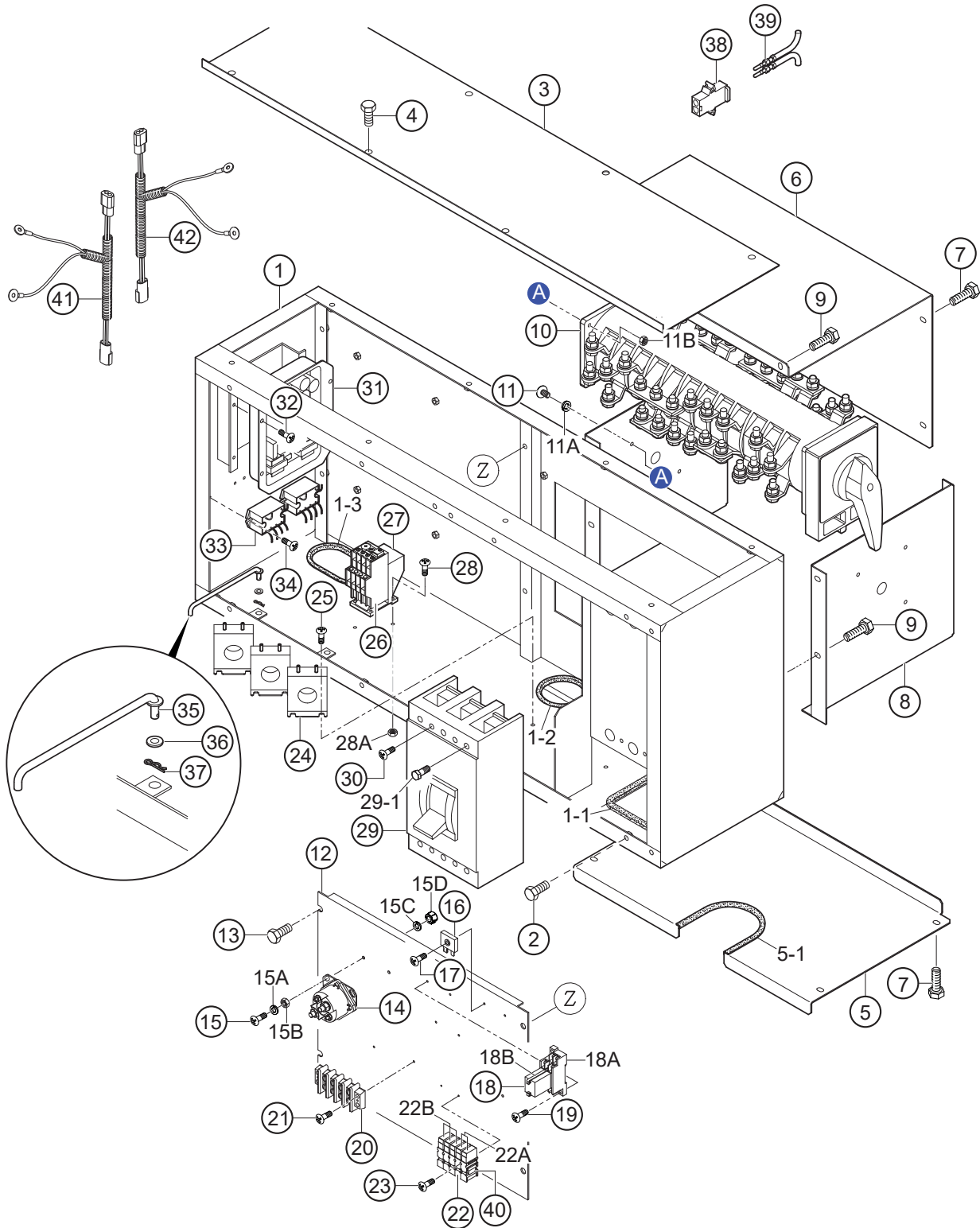
CONTROL PANEL ASSY.



CONTROL PANEL ASSY.

<u>NO.</u>	<u>PART NO.</u>	<u>PART NAME</u>	<u>QTY.</u>	<u>REMARKS</u>
1	M3223001503	CONTROL PANEL	1	
2	M9220100004	SET SCREW	2	
2A	0080200007	E-RING	2	
3	M3223001604	CONTROL PANEL	1	
4	0017108040	HEX. HEAD BOLT	4	
5	0601840100	KNOB	1	REPLACES P/N 0601840121
6	0601801040	CHANGE-OVER SWITCH, AMMETER	1	
7	0601801041	CHANGE-OVER SWITCH, VOLTMETER	1	
8	Y0602202651	ECU CONTROLLER	1	
9	Y0602120569	GAUGE UNIT ASSY.	1	
10	Y0601810170	PANEL LIGHT, 12V	1	
11	0027104020	MACHINE SCREW	2	
11A	OEMAA8	HEX. NUT	2	REPLACES P/N 0207004000
12	0601830710	PANEL LIGHT SWITCH	1	
13	0601831205	PUSH BUTTON SWITCH, RED	1	
14	82608	TOGGLE SWITCH	1	REPLACES P/N 0601831340
15	0601807641	FREQUENCY METER, 45~65 HZ 240V	1	
16	0601808989	AC AMMETER, 0~300A/600A: 5A	1	
17	0601806859	AC VOLTMETER	1	
18	0601840073	VOLTAGE REGULATOR, 1K	1	
19	0605011211	PIN	2	
20	Y0206707000	HEX. NUT	8	
20A	Y0044807000	WASHER, LOCK	8	

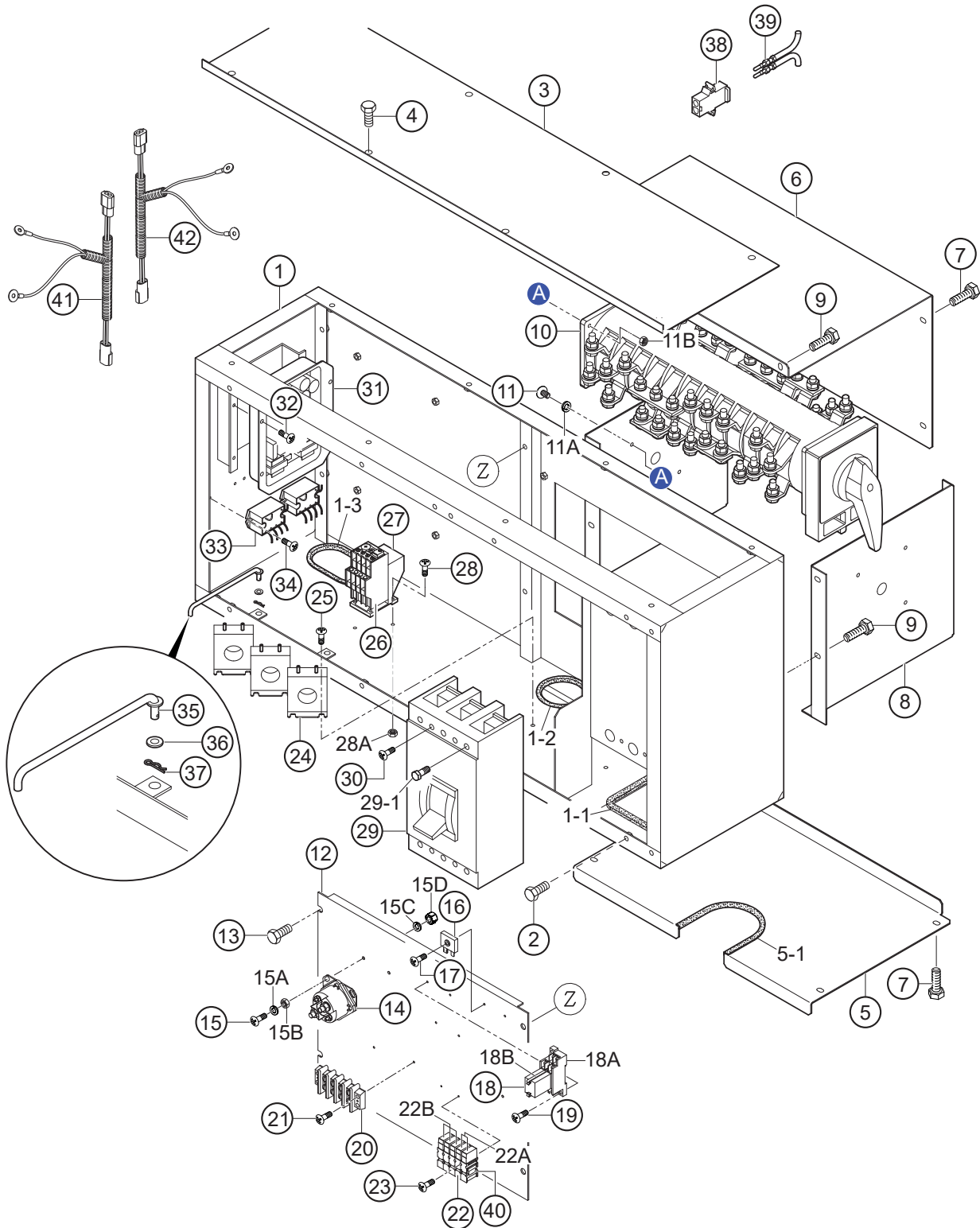
CONTROL BOX ASSY.



CONTROL BOX ASSY.

<u>NO.</u>	<u>PART NO.</u>	<u>PART NAME</u>	<u>QTY.</u>	<u>REMARKS</u>
1	M3214000402	CONTROL BOX	1.....	S/N 7601140 AND BELOW
1	M3214000412	CONTROL BOX	1.....	S/N 7601141 AND ABOVE
1-1	Y0411100500	EDGING	1	
1-2	Y0411100215	EDGING	1	
1-3	Y0411100285	EDGING	1	
2	011008020	HEX. HEAD BOLT	13.....	REPLACES P/N 0016908020
3	M4213500104	CONTROL UP PANEL	1	
4	011008020	HEX. HEAD BOLT	8.....	REPLACES P/N 0016908020
5	M3214600504	SWITCH COVER	1	
5-1	Y0317700265	WEATHER STRIP	1	
6	M3214600404	SWITCH COVER	1	
7	011106015	HEX. HEAD BOLT	8.....	REPLACES P/N 0016906015
8	M3213602904	SWITCH BRACKET	2	
9	011106015	HEX. HEAD BOLT	6.....	REPLACES P/N 0016906015
10	M3270100304	SELECTOR SWITCH	1	
11	0021005020	MACHINE SCREW	4	
11A	0032005000	WASHER, LOCK.....	4.....	REPLACES P/N 0040005000
11B	0030005000	HEX. NUT	4.....	REPLACES P/N 0207005000
12	M3261500003	SET PANEL	1	
13	011008020	HEX. HEAD BOLT	4.....	REPLACES P/N 0016908020
14	Y0602201458	STARTER RELAY	1	
15	011808015	MACHINE SCREW	2.....	REPLACES P/N 0027106015
15A	0044808000	WASHER, LOCK	2	
15B	Y0206508000	HEX. NUT	2	
15C	0043003000	WASHER, LOCK	2	
15D	Y0206803000	HEX. NUT	2	
16	0601821370	RECTIFIER	1.....	REPLACES P/N 0601823240
17	0027104020	MACHINE SCREW	1	
18	LY2DUS12VDC	RELAY, DC12V	1.....	REPLACES P/N 0601827656
18A	PTF08A	RELAY BASE	1.....	REPLACES P/N 0601823109
18B	PYCA1	RELAY CLIP	2.....	REPLACES P/N 0601824400
19	0027104020	MACHINE SCREW	2	
20	0601815153	TERMINAL BLOCK	1	
21	0027104020	MACHINE SCREW	2	
22	M5214600004	HOLDER, FUSE	1	
22A	0601806643	FUSE, 15A	2	
22B	Y0601806647	FUSE, 25A	3	
23	Y0027203035	MACHINE SCREW	2	
24	Y0601809692	CURRENT TRANSFORMER	3	
25	011808015	MACHINE SCREW	6.....	REPLACES P/N 0027106015
26	0601820847	OVER CURRENT RELAY	1.....	S/N 7601140 AND BELOW
26	Y0601820839	OVER CURRENT RELAY	1.....	S/N 7601141 AND ABOVE
27	0601820848	OVER CURRENT RELAY BASE	1.....	S/N 7601140 AND BELOW
27	Y0601820844	OVER CURRENT RELAY BASE	1.....	S/N 7601141 AND ABOVE

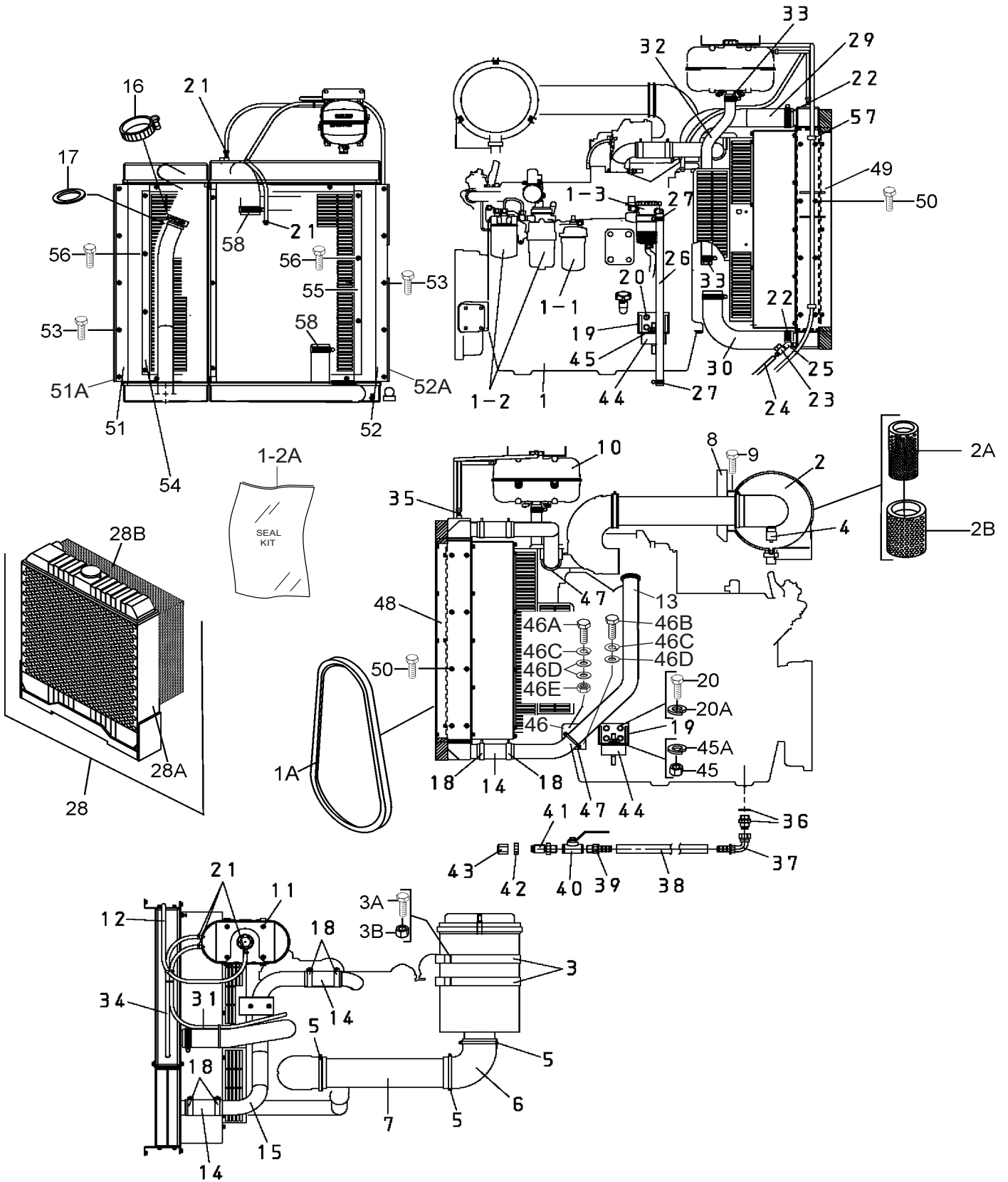
CONTROL BOX ASSY. (CONT'D.)



CONTROL BOX ASSY. (CONT'D.)

<u>NO.</u>	<u>PART NO.</u>	<u>PART NAME</u>	<u>QTY.</u>	<u>REMARKS</u>
28	0027104020	MACHINE SCREW	2	
28A	OEMAA8	HEX. NUT	2	REPLACES P/N 0207004000
29	0601808821	CIRCUIT BREAKER, 3P 400A	1	
29-1	Y0017904032	HEX. SOCKET HEAD CAP SCREW	6	
30	0021006080	MACHINE SCREW	4	
31	0601820608	AUTOMATIC VOLTAGE REGULATOR	1	
32	0027105015	MACHINE SCREW	4	
33	0601823863	RELAY UNIT, 12V	2	
34	7538070	MACHINE SCREW	4	REPLACES P/N 0027104015
35	M4213600104	STOPPER, CONTROL PANEL	1	
36	952404470	WASHER, FLAT	1	REPLACES P/N 0041206000
37	505015300	SNAP PIN	1	REPLACES P/N 0605010502
38	0601812626	PLUG	1	
39	0601812711	PINS	2	
40	M9501400304	DECAL, FUSE HOLDER	1	
41	M3246703704	WIRE HARNESS, GENERATOR	1	S/N 7601140 AND BELOW
41	M3246703714	WIRE HARNESS, GNERATOR	1	S/N 7601141 AND ABOVE
42	M3358200402	WIRE HARNESS, ENGINE	1	S/N 7601140 AND BELOW
42	M3358200412	WIRE HARNESS, ENGINE	1	S/N 7601141 AND ABOVE

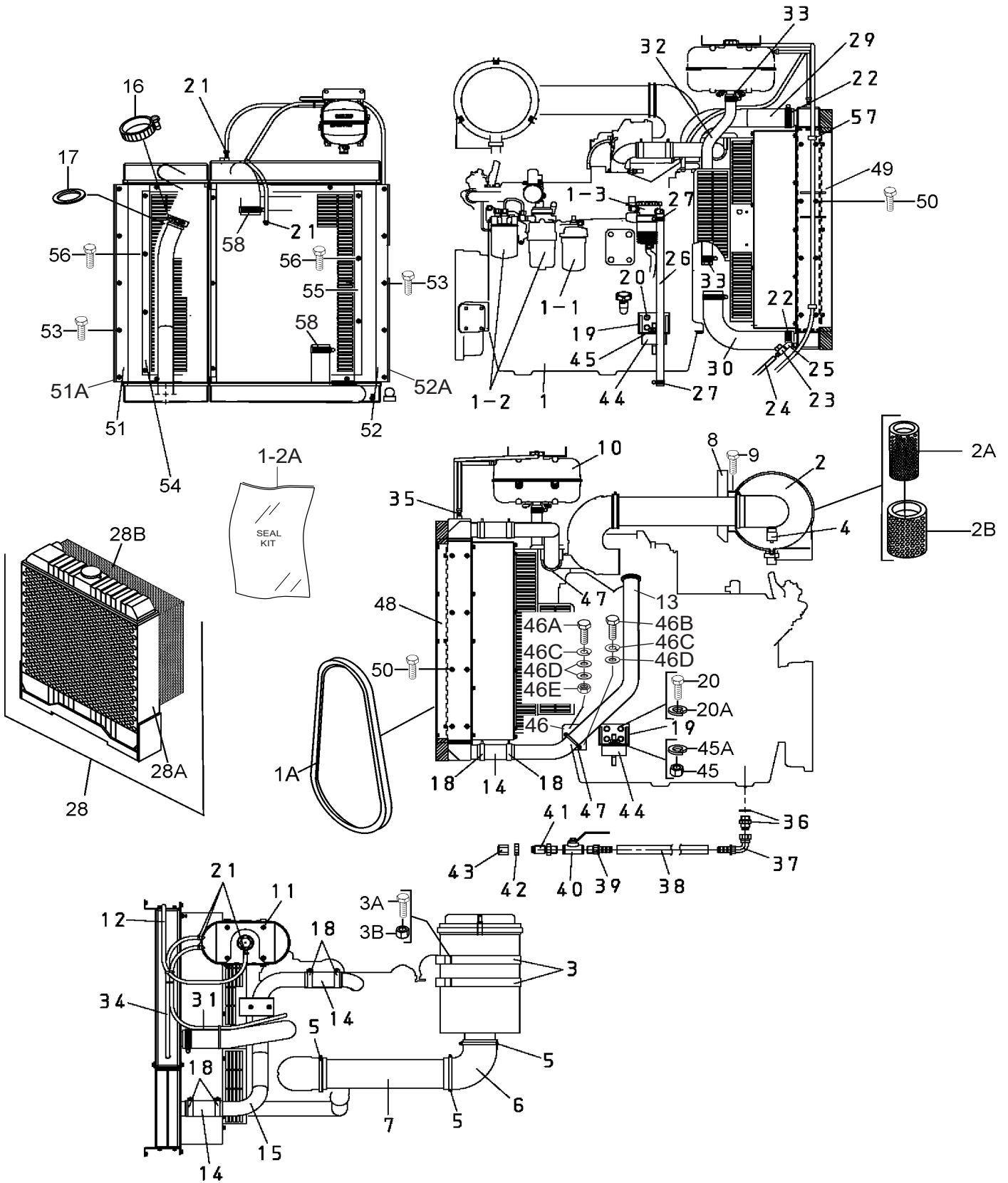
ENGINE AND RADIATOR ASSY.



ENGINE AND RADIATOR ASSY.

NO.	PART NO.	PART NAME	QTY.	REMARKS
1	M3924200074	ENGINE, JOHN DEERE 6068HFG08	1.....	S/N 7601140 AND BELOW
1	M3924200154	ENGINE, JOHN DEERE 6068HFG08	1.....	S/N 7601141 AND ABOVE
1A	R529382	FAN BELT	1.....	REPLACES P/N Y0602015209
1-1	RE539279	CARTRIDGE, OIL FILTER	1.....	REPLACES P/N Y0602041293
1-2	RE556406	FUEL FILTER KIT, PRIMARY, SECONDARY	1.....	REPLACES P/N Y0602042599 S/N 7601140 AND BELOW
1-2	RE551507	FUEL FILTER ELEMENT, PRIMARY	1.....	REPLACES P/N Y0602042800 S/N 7601141 AND ABOVE
1-2	RE560681	FUEL FILTER ELEMENT, SECONDAY	1.....	REPLACES P/N Y0602042801 S/N 7601141 AND ABOVE
1-2A	RE562696	SEAL KIT, FUEL FILTER	1.....	REPLACES P/N Y0602042603 S/N 7601141 AND ABOVE
1-3	RE540710	BLOWBY FILTER	1.....	REPLACES P/N 0602044230
2	FRG130097	AIR CLEANER	1.....	REPLACES P/N 0602046586 INCLUDES ITEMS W/#
2A#	P537877	ELEMENT, SAFETY	1.....	REPLACES P/N 0602046683
2B#	P537876	ELEMENT, PRIMARY	1.....	REPLACES P/N 0602046682
3	P013722	AIR CLEANER BAND	2.....	REPLACES P/N 0602040558
3A	011208025	HEX. HEAD BOLT	4.....	REPLACES P/N 0016908025
3B	020108060	SELF LOCK NUT	4.....	REPLACES P/N 0207008000
4	0602040650	AIR CLEANER INDICATOR	1	
5	0605515202	HOSE BAND	3	
6	0602040365	90° ELBOW	1	
7	M3374000104	AIR CLEANER PIPE	1	
8	M3374200004	AIR CLEANER BRACKET	1	
9	0016910025	HEX. HEAD BOLT	2	
10	RE549081	SURGE TANK	1.....	REPLACES P/N Y0602010222
11	Y0016908016	HEX. HEAD BOLT	4	
12	Y0193602200	OVER FLOW HOSE	1	
13	M3311400103	CAC PIPE, HOT SIDE	1	
14	Y0602015610	CAC HOSE	3	
15	M3311400203	CAC PIPE COLD SIDE	1	
16	RE292067	V-BAND CLAMP	1.....	REPLACES P/N Y0602325033
17	R529509	GASKET	1.....	REPLACES P/N Y0602320206
18	0605515215	T-BOLT CLAMP	6	
19	M3303200404	ENGINE FOOT	2	
20	0012312030	HEX. HEAD BOLT	6.....	REPLACES P/N 0013612030
20A	0040012000	WASHER, LOCK	6	
21	0605515189	HOSE BAND	5	
22	0605515236	HOSE BAND	2	
23	Y0605511394	MINI BALL VALVE	1	
24	0193600300	DRAIN HOSE	1	
25	Y0603307520	45° ELBOW	1	
26	Y0191600800	BLOWBY HOSE	1	
27	0605515073	HOSE BAND	2	
28	Y0602012905	RADIATOR AND INTER-COOLER, ASSY.....	1.....	S/N 7601119 AND BELOW
28	Y0602012951	RADIATOR AND INTER-COOLER, ASSY.....	1.....	S/N 7601120 AND ABOVE

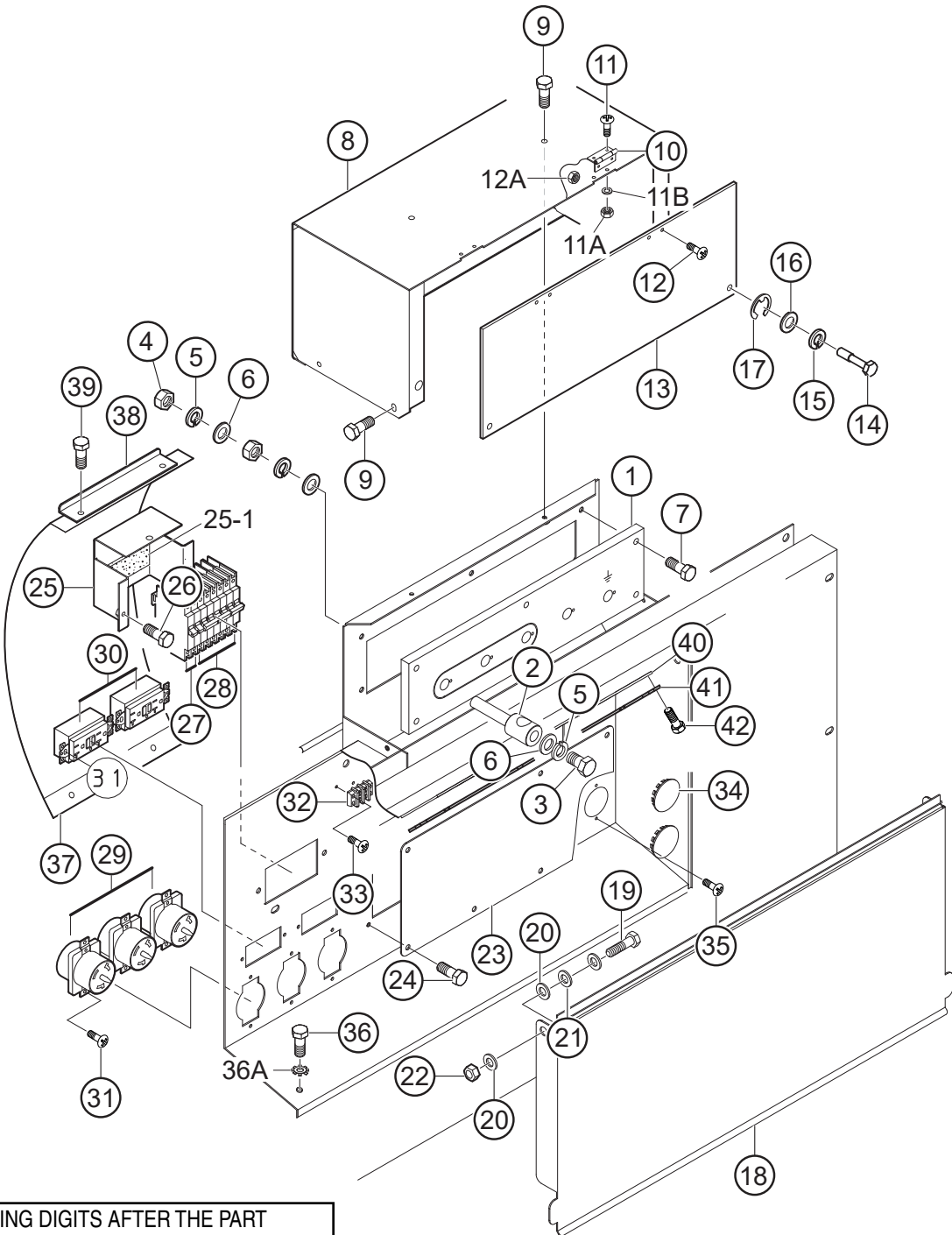
ENGINE AND RADIATOR ASSY. (CONT'D.)



ENGINE AND RADIATOR ASSY. (CONT'D.)

NO.	PART NO.	PART NAME	QTY.	REMARKS
28A	Y0602012905-R	RADIATOR	1	S/N 7601119 AND BELOW
28B	Y0602012905-I	INTER-COOLER	1	S/N 7601119 AND BELOW
29	M3311500503	RADIATOR HOSE, UPPER	1	
30	M3311500603	RADIATOR HOSE, LOWER	1	
31	0199901150	VENT HOSE	1	
32	M3311500703	SURGE TANK HOSE	1	
33	0605515147	HOSE BAND	2	
34	Y0199900680	VENT HOSE	1	
35	Y0605512192	HOSE JOINT	1	
36	0602022580	ADAPTER	1	
37	0602022561	90° ELBOW	1	
38	Y0269201300	PUSH-LOCK HOSE	1	
39	0603306395	MALE PIPE	1	
40	0605511395	BALL VALVE	1	
41	0603306590	MALE BULKHEAD CONNECTOR	1	
42	0603300285	BULKHEAD ROCKNUT	1	
43	0602021070	CAP	1	
44	Y0605000462	RUBBER SUSPENSION	2	
45	0030016000	HEX. NUT	4	
45A	0040016000	WASHER, LOCK	4	
46	M3314300104	CAC PIPE BRACKET	1	
46A	Y0010116030	HEX. HEAD BOLT	1	
46B	0010116060	HEX. HEAD BOLT	1	
46C	0040016000	WASHER, LOCK	2	
46D	0041216000	WASHER, FLAT	3	
46E	0030016000	HEX. NUT	1	
47	0602326063	U-BOLT	2	
48	M3311200204	RADIATOR BRACKET	1	S/N 7601119 AND BELOW
48	M3311200214	RADIATOR BRACKET	1	S/N 7601120 AND ABOVE
49	M3311200304	RADIATOR BRACKET	1	S/N 7601119 AND BELOW
49	M3311200314	RADIATOR BRACKET	1	S/N 7601120 AND ABOVE
50	Y0016908015	HEX. HEAD BOLT	26	
51	M3311301023	FAN SHROUD	1	
51A	M3494420304	ACOUSTIC SHEET	1	
52	M3311301113	FAN SHROUD	1	
52A	M3494420304	ACOUSTIC SHEET	1	
53	011008020	HEX. HEAD BOLT	12	REPLACES P/N 0016908020
54	M3311300803	FAN GUARD	1	S/N 7601130 AND BELOW
54	M3311300813	FAN GUARD	1	S/N 7601131 AND ABOVE
55	M3311300903	FAN GUARD	1	S/N 7601130 AND BELOW
55	M3311300913	FAN GUARD	1	S/N 7601131 AND ABOVE
56	011008020	HEX. HEAD BOLT	18	REPLACES P/N 0016908020
57	0602220911	CLAMP	2	REPLACES P/N 0602220910
58	0605515208	HOSE BAND	2	

OUTPUT TERMINAL ASSY.



ADD THE FOLLOWING DIGITS AFTER THE PART NUMBER WHEN ORDERING ANY PAINTED PANEL TO INDICATE COLOR OF UNIT:

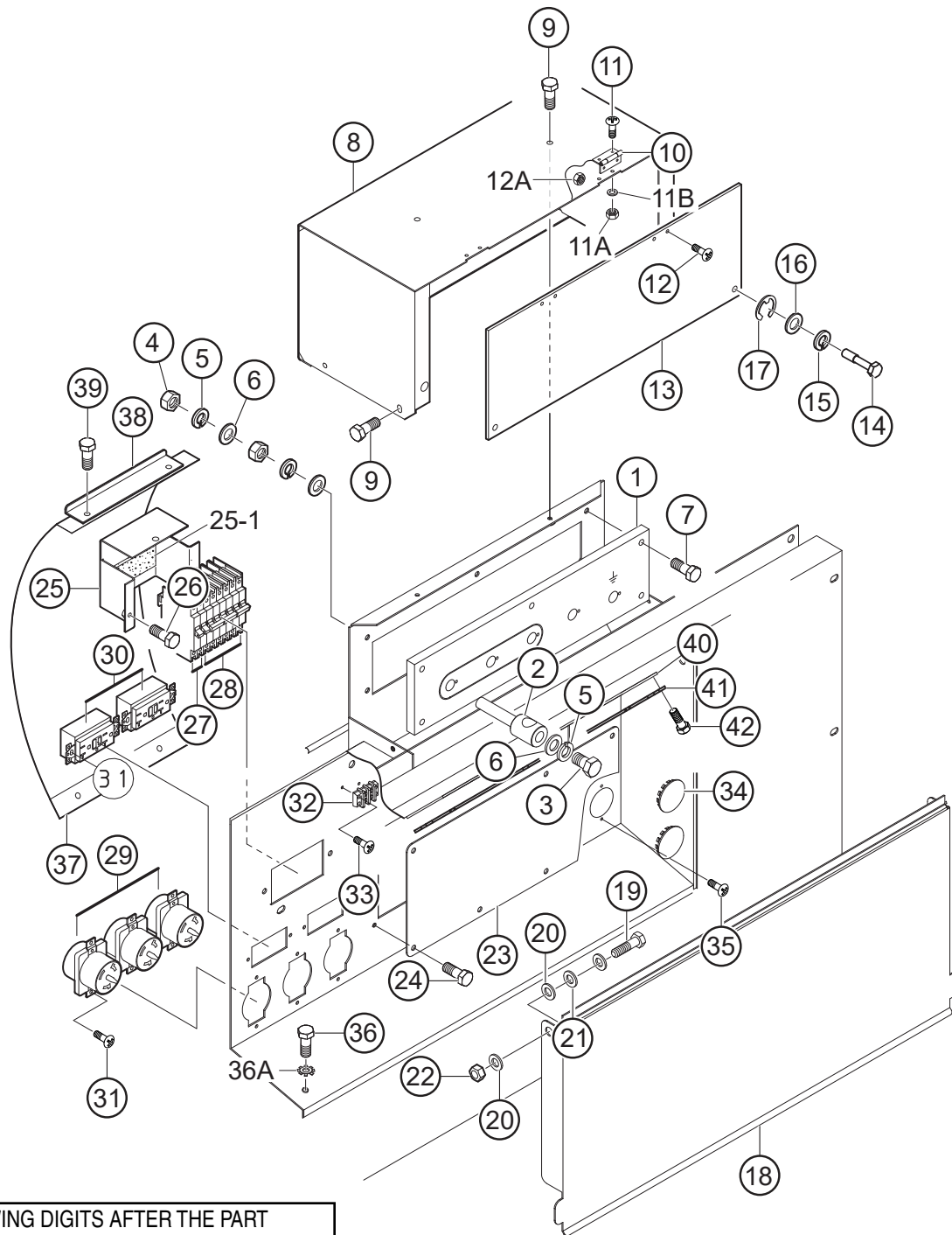
1-ORANGE	6-CATERPILLAR YELLOW
2-WHITE	7-CATO GOLD
3-SPECTRUM GREY	8-RED
4-SUNBELT GREEN	9-DESERT TAN
5-BLACK	

THE SERIAL NUMBER MAY BE REQUIRED.

OUTPUT TERMINAL ASSY.

<u>NO.</u>	<u>PART NO.</u>	<u>PART NAME</u>	<u>QTY.</u>	<u>REMARKS</u>
1	M3230700003	TERMINAL PANEL	1	
2	M9220100304	OUTPUT TERMINAL BOLT	5	
3	0801830804	TIE BOLT	5.....	REPLACES P/N M9220100404
4	0039316000	HEX. NUT	10	
5	0040016000	WASHER, LOCK	15	
6	0401450160	WASHER, FLAT	20.....	REPLACES P/N 0041416000
7	0012108035	HEX. HEAD BOLT	5.....	REPLACES P/N 0016908035
8	M2237100103	TERMINAL COVER	1	
9	011106015	HEX. HEAD BOLT	4.....	REPLACES P/N 0016906015
10	0605010040	HINGE	2	
11	0027103010	MACHINE SCREW	4	
11A	0207003000	HEX. NUT	4.....	REPLACES P/N 0030003000
11B	0041203000	WASHER, FLAT	4	
12	0027103015	MACHINE SCREW	4	
12A	0207003000	HEX. NUT	4.....	REPLACES P/N 0030003000
13	M3236100104	OUTPUT WINDOW	1	
14	M9220100804	SET SCREW	2	
15	0040006000	WASHER, LOCK	2	
16	952404470	WASHER, FLAT	2.....	REPLACES P/N 0041206000
17	0080200005	E-RING	2	
18	M3454400003	TERMINAL COVER	1	
19	012212045	HEX. HEAD BOLT	2.....	REPLACES P/N 0010112045
20	031112230	WASHER, FLAT	6.....	REPLACES P/N 0041212000
21	0605050060	CONICAL WASHER, LOCK	2	
22	0030012000	HEX. NUT	2	
23	M3236400204	COVER	1	
24	011106015	HEX. HEAD BOLT	8.....	REPLACES P/N 0016906015
25	M1260700504	BRACKET, CIRCUIT BREAKER	1.....	S/N 7601039 AND BELOW
25	M1260700304	BRACKET, CIRCUIT BREAKER	1.....	S/N 7601040 AND ABOVE
25-1	0222100100	RUBBER CUSHION	1.....	S/N 7601039 AND BELOW
25-1	0222100150	RUBBER CUSHION	1.....	S/N 7601040 AND ABOVE
26	011206020	HEX. HEAD BOLT	2.....	REPLACES P/N 0016906020
27	0601870440	CIRCUIT BREAKER, 1P 20A	2.....	S/N 7601039 AND BELOW
27	0601808803	CIRCUIT BREAKER, 1P 20A	2.....	S/N 7601040 AND ABOVE
28	0601870441	CIRCUIT BREAKER, 2P 50A	3.....	S/N 7601039 AND BELOW
28	0601808804	CIRCUIT BREAKER, 2P 50A	3.....	S/N 7601040 AND ABOVE
29	Y0601814014	RECEPTACLE, 50A	3	
30	0601814013	RECEPTACLE, 20A	2	

OUTPUT TERMINAL ASSY. (CONT'D.)



ADD THE FOLLOWING DIGITS AFTER THE PART NUMBER WHEN ORDERING ANY PAINTED PANEL TO INDICATE COLOR OF UNIT:

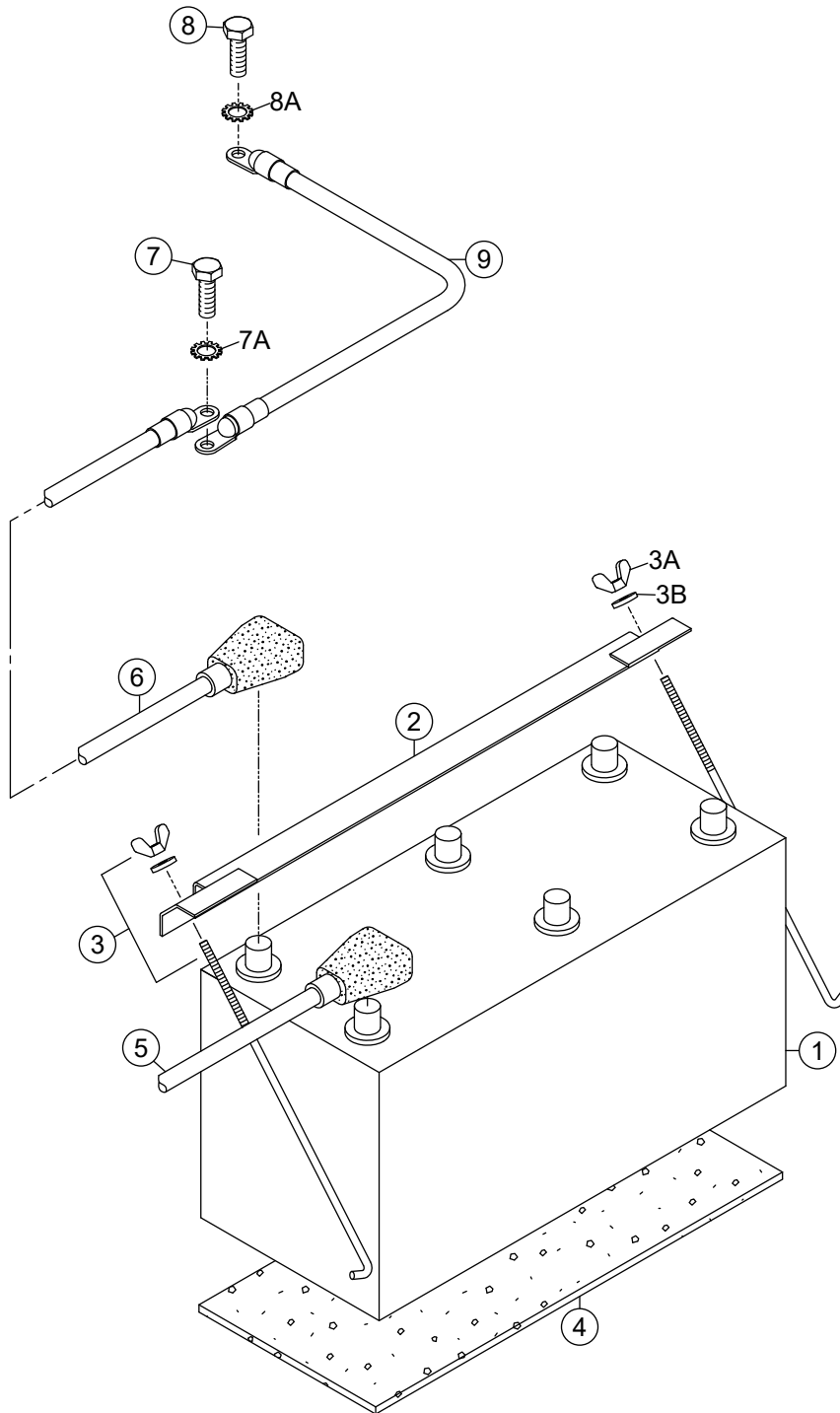
- | | |
|-----------------|----------------------|
| 1-ORANGE | 6-CATERPILLAR YELLOW |
| 2-WHITE | 7-CATO GOLD |
| 3-SPECTRUM GREY | 8-RED |
| 4-SUNBELT GREEN | 9-DESERT TAN |
| 5-BLACK | |

THE SERIAL NUMBER MAY BE REQUIRED.

OUTPUT TERMINAL ASSY. (CONT'D.)

<u>NO.</u>	<u>PART NO.</u>	<u>PART NAME</u>	<u>QTY.</u>	<u>REMARKS</u>
31	7538070	MACHINE SCREW	10.....	REPLACES P/N 0027104015
31A	OEMAA8	HEX. NUT	10.....	REPLACES P/N 0207004000
32	0601815194	TERMINAL	1	
33	7538070	MACHINE SCREW	2.....	REPLACES P/N 0027104015
34	0603306775	BLIND PLUG	2	
35	7538070	MACHINE SCREW	4.....	REPLACES P/N 0027104015
36	0019208020	HEX. HEAD BOLT	1	
36A	0040508000	TOOTHED WASHER	1	
37	M3237100204	INSULATING COVER	1	
38	M4236400304	BRACKET	1	
39	011106015	HEX. HEAD BOLT	2.....	REPLACES P/N 0016906015
40	M3236400004	CABLE OUTLET COVER	1	
41	M3236300004	SUPPORTER, CABLE OUTLET COVER	1	
42	011206020	HEX. HEAD BOLT	6.....	REPLACES P/N 0016906020

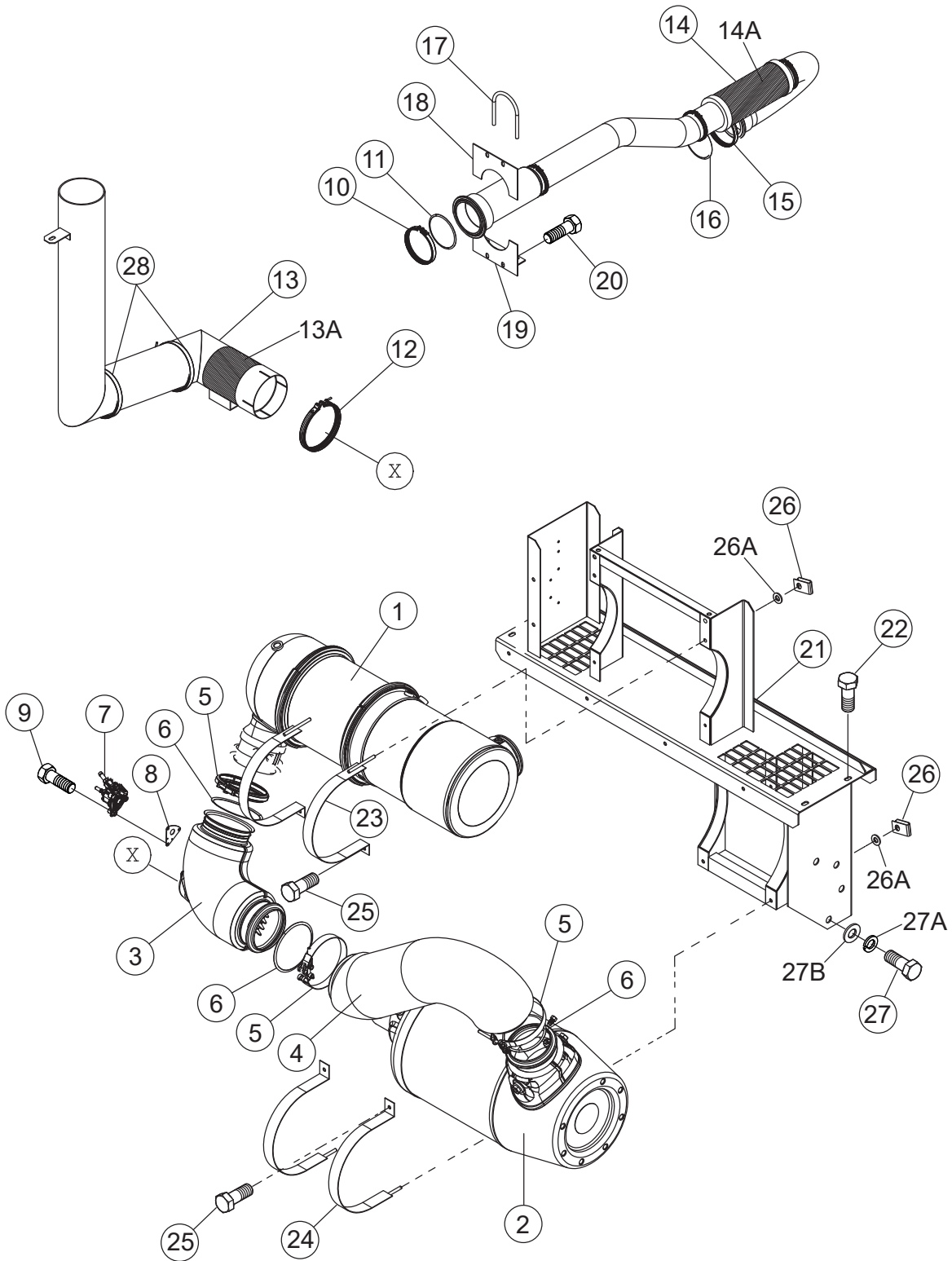
BATTERY ASSY.



BATTERY ASSY.

<u>NO.</u>	<u>PART NO.</u>	<u>PART NAME</u>	<u>QTY.</u>	<u>REMARKS</u>
1	0602220198	BATTERY	1	
2	M9103000504	BATTERY BAND	1	
3	0602220921	BATTERY BOLT SET	2.....	INCLUDES ITEMS W/#
3A#		WING NUT	2	
3B#		PLASTIC WASHER	2	
4	M9310500404	BATTERY SHEET	1	
5	M2346900704	BATTERY CABLE	1	
6	M3346901114	BATTERY CABLE	1	
7	0017112025	HEX. HEAD BOLT	1	
7A	0040512000	TOOTHED WASHER	1	
8	0016910025	HEX. HEAD BOLT	1	
8A	0040510000	TOOTHED WASHER	1	
9		EARTH CABLE	1.....	MAKE LOCALLY

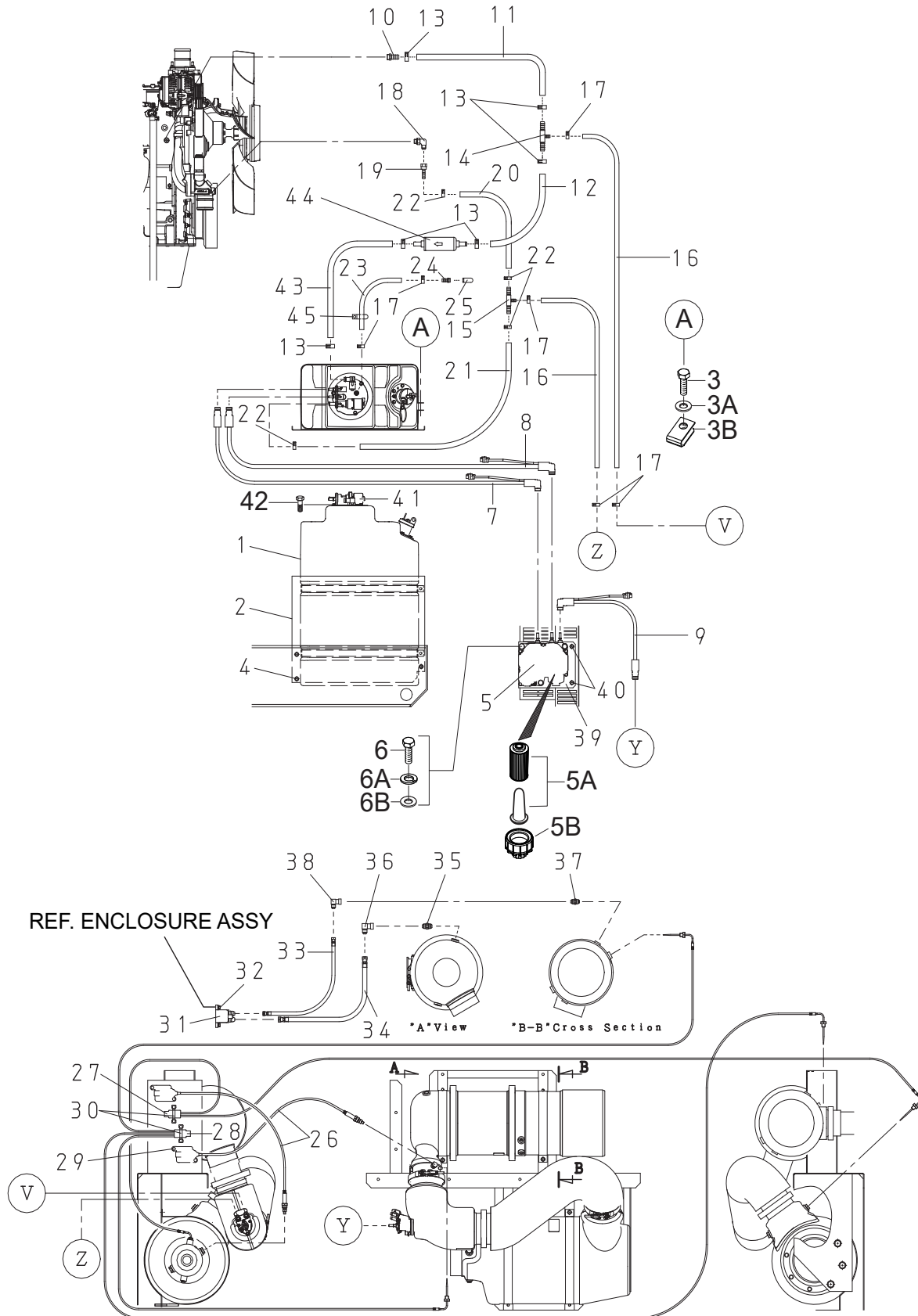
MUFFLER ASSY.



MUFFLER ASSY.

<u>NO.</u>	<u>PART NO.</u>	<u>PART NAME</u>	<u>QTY.</u>	<u>REMARKS</u>
1	RE559542	DIESEL PARTICULATE FILTER	1.....	REPLACES P/N Y0602330102 S/N 7601140 AND BELOW
1	Y0602330107	DIESEL PARTICULATE FILTER	1.....	S/N 7601141 AND ABOVE
2	RE554146	SCR CATALYST	1.....	REPLACES P/N Y0602330300 S/N 7601140 AND BELOW
2	Y0602330304	SCR CATALYST	1.....	S/N 7601141 AND ABOVE
3	RE565074	DECOMPOSITION TUBE	1.....	REPLACES P/N Y0602330403
4	RE559456	DECOMPOSITION EXTENSION TUBE	1.....	REPLACES P/N Y0602330404
5	RE540348	V-BAND CLAMP	3.....	REPLACES P/N Y0602325034
6	RE529640	GASKET	3.....	REPLACES P/N Y0602320205
7	RE560468	DEF INJECTOR	1.....	REPLACES P/N Y0602330405
8	RE556879	GASKET	1.....	REPLACES P/N Y0602330406
9	R537624	HEX. HEAD BOLT	3.....	REPLACES P/N Y0602330407
10	RE298757	V-BAND CLAMP	1.....	REPLACES P/N Y0602325036
11	R300529	SEALING RING	1.....	REPLACES P/N Y0602320203
12	Y0602325026	PIPE BAND	1	
13	M3334100103	TAIL PIPE	1	
13A	Y0400005000	TAIL PIPE INSULATING WRAP	1	
14	M3334000103	EXHAUST PIPE	1	
14A	Y0602311143	EXHAUST INSULATING MAT	1	
15	RE289839	V-BAND CLAMP	1.....	REPLACES P/N Y0602325037
16	R528112	SEALING RING	1.....	REPLACES P/N Y0602320201
17	0602326060	U-BOLT	1	
18	M3334300604	COVER, EXHAUST PIPE	1	
19	M3334300503	BRACKET, EXHAUST PIPE	1	
20	011008020	HEX. HEAD BOLT	4.....	REPLACES P/N 0016908020
21	M3331200103	BRACKET, DPF AND SCR	1	
22	0016910025	HEX. HEAD BOLT	4	
23	M3331400604	DPF BAND	2	
24	M3331400704	SCR BAND	2	
25	011008020	HEX. HEAD BOLT	4.....	REPLACES P/N 0016908020
26	020108060	U-NUT	4.....	REPLACES P/N 0037908000
26A	0401450080	WASHER, FLAT	4.....	REPLACES P/N 0041208000
27	Y0010116030	HEX. HEAD BOLT	4	
27A	0040016000	WASHER, LOCK	4	
27B	0041216000	WASHER, FLAT	4	
28	0605515202	HOSE BAND	2	

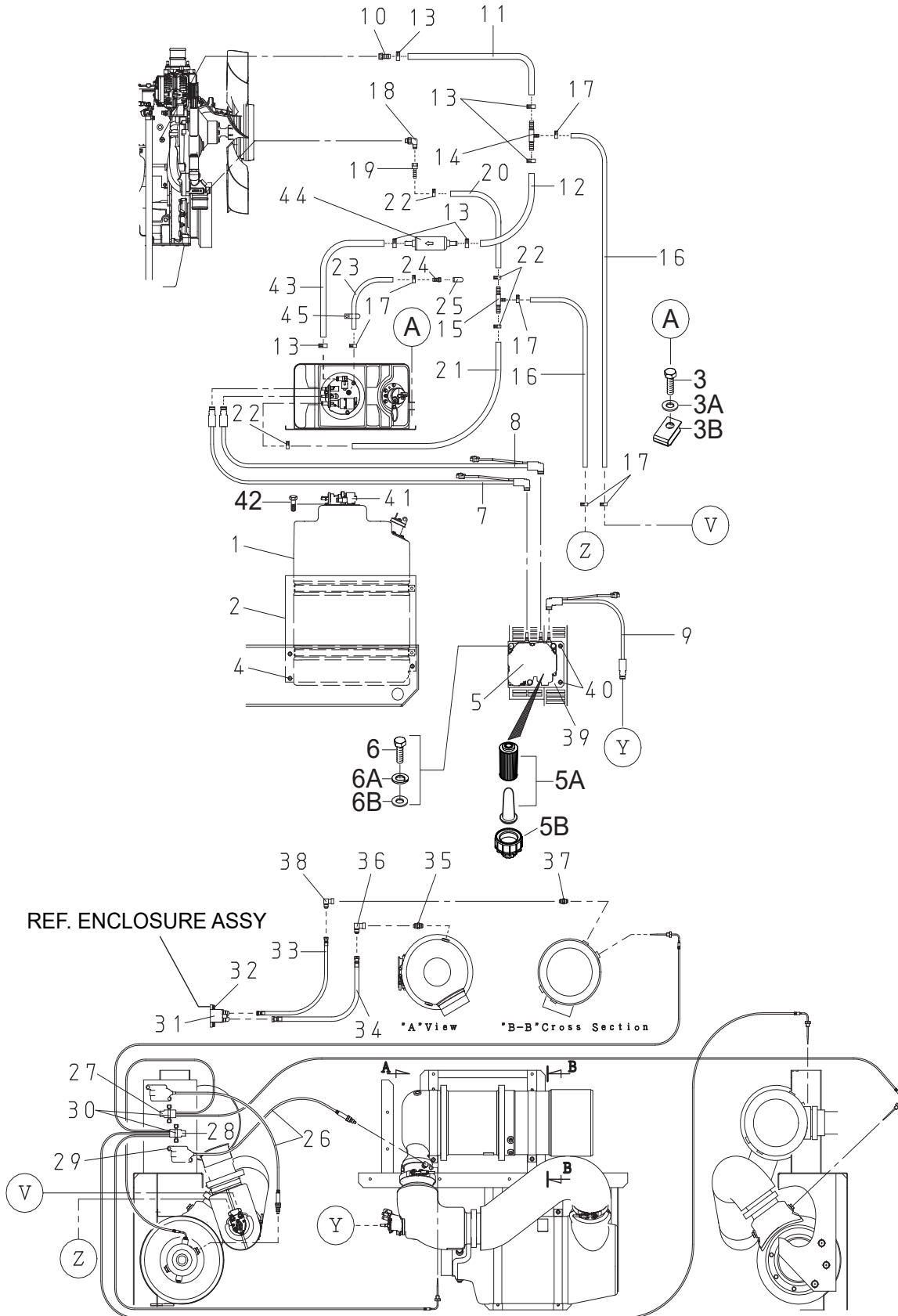
FUEL LINE ROUTING (PLUMBING) ASSY.



FUEL LINE ROUTING (PLUMBING) ASSY.

<u>NO.</u>	<u>PART NO.</u>	<u>PART NAME</u>	<u>QTY.</u>	<u>REMARKS</u>
1	RE558330	DEF TANK	1.....	REPLACES P/N Y0605500070 S/N 7601130 AND BELOW
1	Y0605500072	DEF TANK.....	1.....	S/N 7601131 AND ABOVE
2	M3331400503	BRACKET, DEF TANK	1	
3	011208060	HEX. HEAD BOLT	2.....	REPLACES P/N 0016908055
3A	020108060	U-NUT	2.....	REPLACES P/N 0037908000
3B	0401450080	WASHER, FLAT	2.....	REPLACES P/N 0041208000
4	011008020	HEX. HEAD BOLT	3.....	REPLACES P/N 0016908020
5	RE552175	DEF SUPPLY MODULE	1.....	REPLACES P/N Y0602330400
5A	RE554498	FILTER KIT, DEF SUPPLY MODULE	1.....	REPLACES P/N Y0602330414
5B	RE555351	COVER KIT, DEF SUPPLY MODULE	1	
6	Y0010108090	HEX. HEAD BOLT	3	
6A	0040008000	WASHER, LOCK	3	
6B	0401450080	WASHER, FLAT	3.....	REPLACES P/N 0041208000
7	RE560902	DEF SUCTION LINE	1.....	REPLACES P/N Y0602330411
8	RE560900	DEF BACKFLOW LINE	1.....	REPLACES P/N Y0602330412
9	RE560894	DEF PRESSURE LINE	1.....	REPLACES P/N Y0602330413
10	AT377287	HOSE BARB	1.....	REPLACES P/N Y0602022975
11	Y0269300730	COOLANT HOSE	1	
12	Y0269300250	COOLANT HOSE	1.....	S/N 7601140 AND BELOW
12	Y0269301200	COOLANT HOSE	1.....	S/N 7601141 AND ABOVE
13	Y0605515341	HOSE BAND	6.....	S/N 7601140 AND BELOW
13	Y0605515341	HOSE BAND.....	4.....	S/N 7601141 AND ABOVE
14	T317541	BLACK TEE-FITTING WITH ORIFICE	1.....	REPLACES P/N Y0602022976
15	T296925	WHITE TEE-FITTING	1.....	REPLACES P/N Y0602022977
16	Y0379601300	COOLANT HOSE	2	
17	Y0605515340	HOSE BAND	6	
18	Y0602022585	90° ELBOW	1	
19	0602022980	HOSE JOINT	1	
20	Y0379700680	COOLANT HOSE	1	
21	Y0379701250	COOLANT HOSE	1	
22	0605515198	HOSE BAND	4	
23	0191301150	VENT HOSE	1	
24	H216170	DEF TANK VENT FITTING	1.....	REPLACES P/N Y0602330402
25	H216169	DEF TANK VENT FILTER	1.....	REPLACES P/N Y0602330401
26	RE552182	NOX SENSOR	2.....	REPLACES P/N Y0602330410
27	RE552186	SCR TEMP. SENSOR	1.....	REPLACES P/N Y0602330409 S/N 7601140 AND BELOW
28	RE552185	DPF TEMP. SENSOR	1.....	REPLACES P/N Y0602330204 S/N 7601140 AND BELOW
28	Y0602330426	DPF TEMP. SENSOR.....	1.....	S/N 7601141 AND ABOVE
29	011106015	HEX. HEAD BOLT	8.....	REPLACES P/N 0016906015 S/N 7601140 AND BELOW
29	011106015	HEX HEAD BOLT.....	6.....	REPLACES P/N 0016906015 S/N 7601141 AND ABOVE

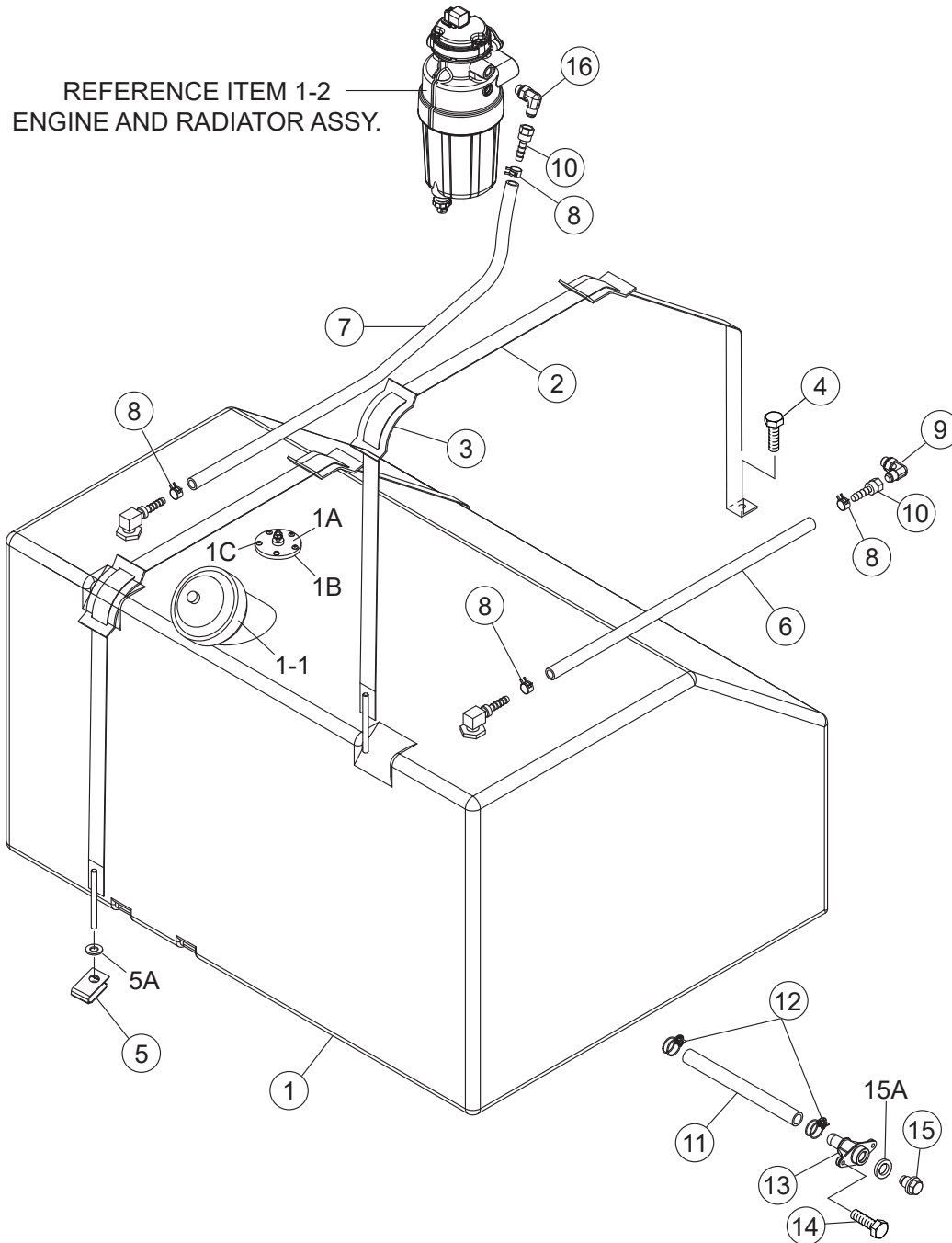
FUEL LINE ROUTING (PLUMBING) ASSY. (CONT'D.)



FUEL LINE ROUTING (PLUMBING) ASSY. (CONT'D.)

<u>NO.</u>	<u>PART NO.</u>	<u>PART NAME</u>	<u>QTY.</u>	<u>REMARKS</u>
30	RE542006	STRAP, TEMP. SENSOR	2.....	REPLACES P/N Y0602330205 S/N 7601140 AND BELOW
30	RE542006	STRAP, TEMP. SENSOR	1.....	REPLACES P/N Y0602330205 S/N 7601141 AND ABOVE
31	RE538131	PRESSURE SENSOR	1.....	REPLACES P/N Y0602330203
32	011208030	HEX. HEAD BOLT	2.....	REPLACES P/N 0016908030
33	RE544013	FLEXIBLE LINE	1.....	REPLACES P/N Y0602330002
34	RE544012	FLEXIBLE LINE	1.....	REPLACES P/N Y0602330001
35	RE543081	JOINT	1.....	REPLACES P/N Y0602330201
36	Y0603306489	SWIVEL JOINT	1	
37	RE542003	JOINT	1.....	REPLACES P/N Y0602330200
38	Y0603306488	SWIVEL JOINT	1	
39	M3331400804	SUPPLY MODULE BRACKET	1.....	S/N 7601130 AND BELOW
39	M3331400814	SUPPLY MODULE BRACKET	1.....	S/N 7601131 AND ABOVE
40	011008020	HEX. HEAD BOLT	2.....	REPLACES P/N 0016908020
41	RE560048	DEF HEADER	1.....	REPLACES P/N Y0602330408 S/N 7601140 AND BELOW
41	Y0602330422	DEF HEADER.....	1.....	S/N 7601141 AND ABOVE
42	011106015	HEX. HEAD BOLT	3.....	REPLACES P/N 0016906015
43	Y0269300950	COOLANT HOSE	1.....	S/N 7601140 AND BELOW
44	Y0602330416	COOLANT FILTER.....	1.....	S/N 7601140 AND BELOW
45	0602220911	CLAMP	1	

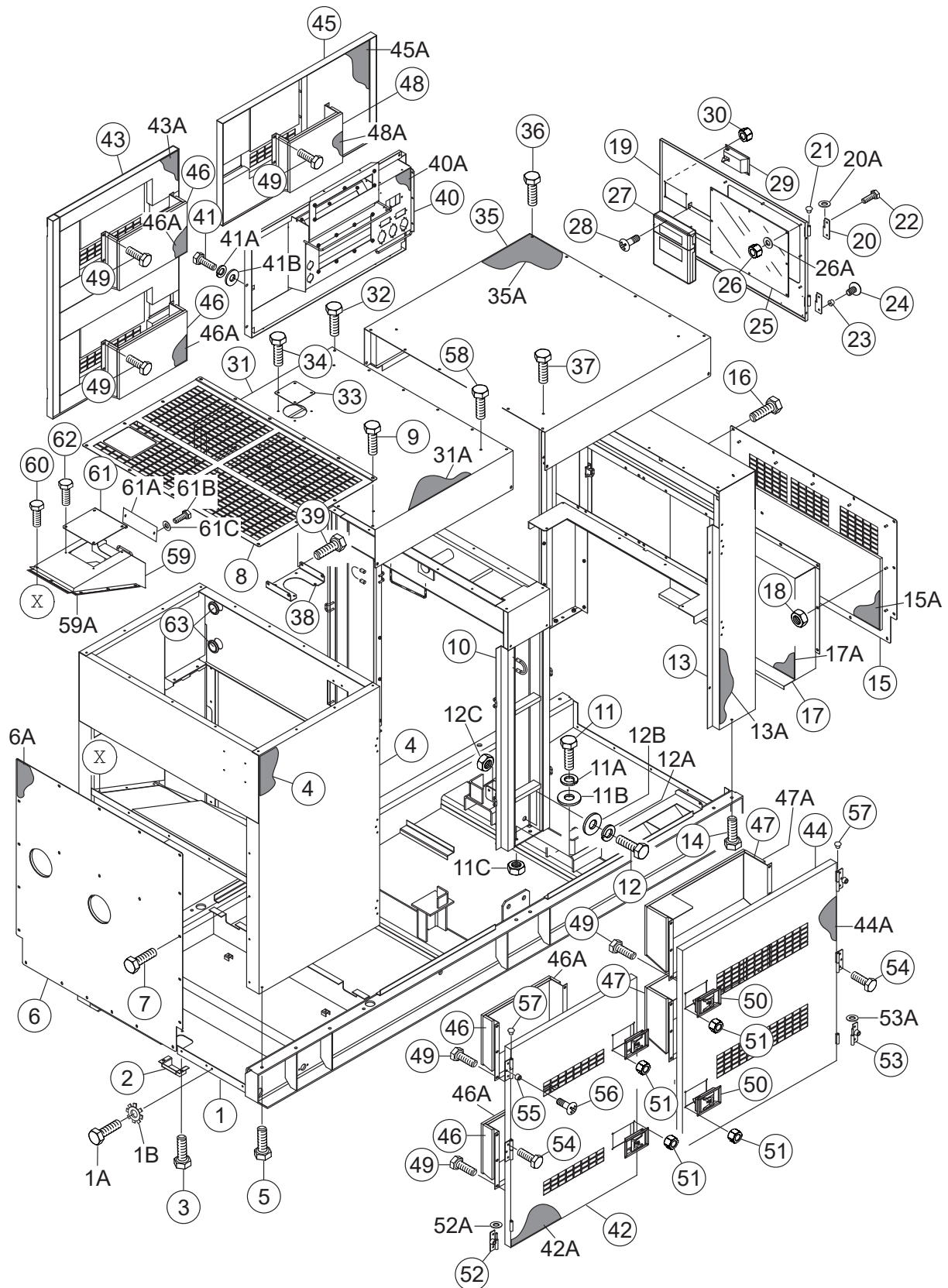
FUEL TANK ASSY.



FUEL TANK ASSY.

<u>NO.</u>	<u>PART NO.</u>	<u>PART NAME</u>	<u>QTY.</u>	<u>REMARKS</u>
1	M3364000402	FUEL TANK	1.....	INCLUDES ITEMS W/#
1A#	Y0605501065	FUEL SENDER UNIT	1	
1B#	Y0605516090	GASKET	1	
1C#	Y0605053020	HEX. HEAD BOLT W/ SEAL WASHER	5	
1-1#	0605505070	FUEL TANK CAP	1	
2	M4363200004	TANK BAND	2	
3	M9310500104	SUPPORTER SHEET	4	
4	011008020	HEX. HEAD BOLT	2.....	REPLACES P/N 0016908020
5	020108060	U-NUT	2.....	REPLACES P/N 0037908000
5A	0401450080	WASHER, FLAT	2.....	REPLACES P/N 0041208000
6	0191302300	SUCTION HOSE	1	
7	0191302900	RETURN HOSE	1	
8	Y0605515340	HOSE BAND	4	
9	Y0602022577	90° ELBOW	1	
10	Y0602022985	HOSE JOINT	2	
11	M1363400104	DRAIN HOSE	1	
12	0605515198	HOSE BAND	2	
13	1502025103C	DRAIN JOINT	1.....	REPLACES P/N M9200000003
14	011206020	HEX. HEAD BOLT	2.....	REPLACES P/N 0016906020
15	0802011104	DRAIN BOLT	1.....	REPLACES P/N M9200200004
15A	0150000018	O-RING	1	
16	Y0602022578	90° ELBOW	1	

ENCLOSURE ASSY.



ENCLOSURE ASSY.

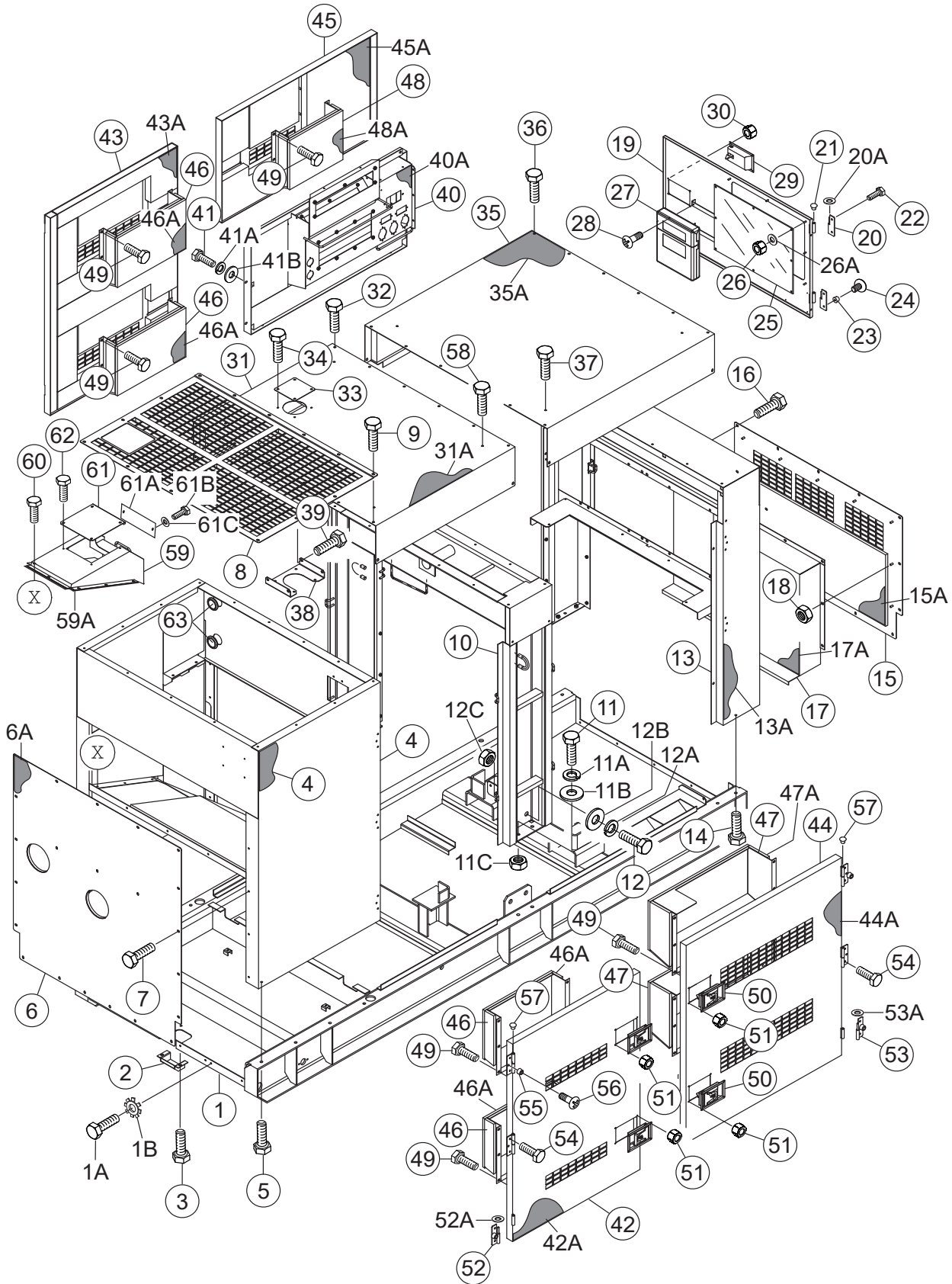
<u>NO.</u>	<u>PART NO.</u>	<u>PART NAME</u>	<u>QTY.</u>	<u>REMARKS</u>
1	M3414000402	BASE	1	
1A	011008020	HEX. HEAD BOLT	1	REPLACES P/N 0016908020
1B	0040508000	TOOTHED WASHER	1	
2	M1413400004	COVER	1	
3	011008020	HEX. HEAD BOLT	2	REPLACES P/N 0016908020
4	M3424000202	FRONT FRAME	1	
4A	M3491200003	ACOUSTIC SHEET	1	
5	0016910025	HEX. HEAD BOLT	8	
6	M3424200304	COVER, FRONT FRAME	1	
6A	M3491200104	ACOUSTIC SHEET	1	
7	0019208020	HEX. HEAD BOLT	22	
8	M3424200203	OVER COVER, FRONT FRAME	1	
9	0019208020	HEX. HEAD BOLT	15	
10	M3434000302	CENTER FRAME	1	
11	0010114040	HEX. HEAD BOLT	4	
11A	030214350	WASHER, LOCK	4	REPLACES P/N 0040014000
11B	031114260	WASHER, FLAT	8	REPLACES P/N 0041214000
11C	515455840	HEX. NUT	4	REPLACES P/N 0030014000
12	0010120050	HEX. HEAD BOLT	4	
12A	030220510	WASHER, LOCK	4	REPLACES P/N 0040020000
12B	0041220000	WASHER, FLAT	8	
12C	0030020000	HEX. NUT	4	
13	M3444000302	REAR FRAME	1	
13A	M4493302804	ACOUSTIC SHEET	1	
14	0016910025	HEX. HEAD BOLT	4	
15	M4443300404	COVER, REAR FRAME	1	
15A	M4493302904	ACOUSTIC SHEET	1	
16	0019208020	HEX. HEAD BOLT	14	
17	M4443300503	DUCT, REAR FRAME	1	
17A	M4493303004	ACOUSTIC SHEET	1	
18	020108060	HEX. NUT	9	REPLACES P/N 0207008000
19	M3444200303	DOOR, REAR FRAME	1	
20	M9110100204	HINGE	2	
20A	M9116100004	WASHER	2	

ADD THE FOLLOWING DIGITS AFTER THE PART NUMBER WHEN ORDERING ANY PAINTED PANEL TO INDICATE COLOR OF UNIT:

1-ORANGE	6-CATERPILLAR YELLOW
2-WHITE	7-CATO GOLD
3-SPECTRUM GREY	8-RED
4-SUNBELT GREEN	9-DESERT TAN
5-BLACK	

THE SERIAL NUMBER MAY BE REQUIRED.

ENCLOSURE ASSY. (CONT'D.)



ENCLOSURE ASSY. (CONT'D.)

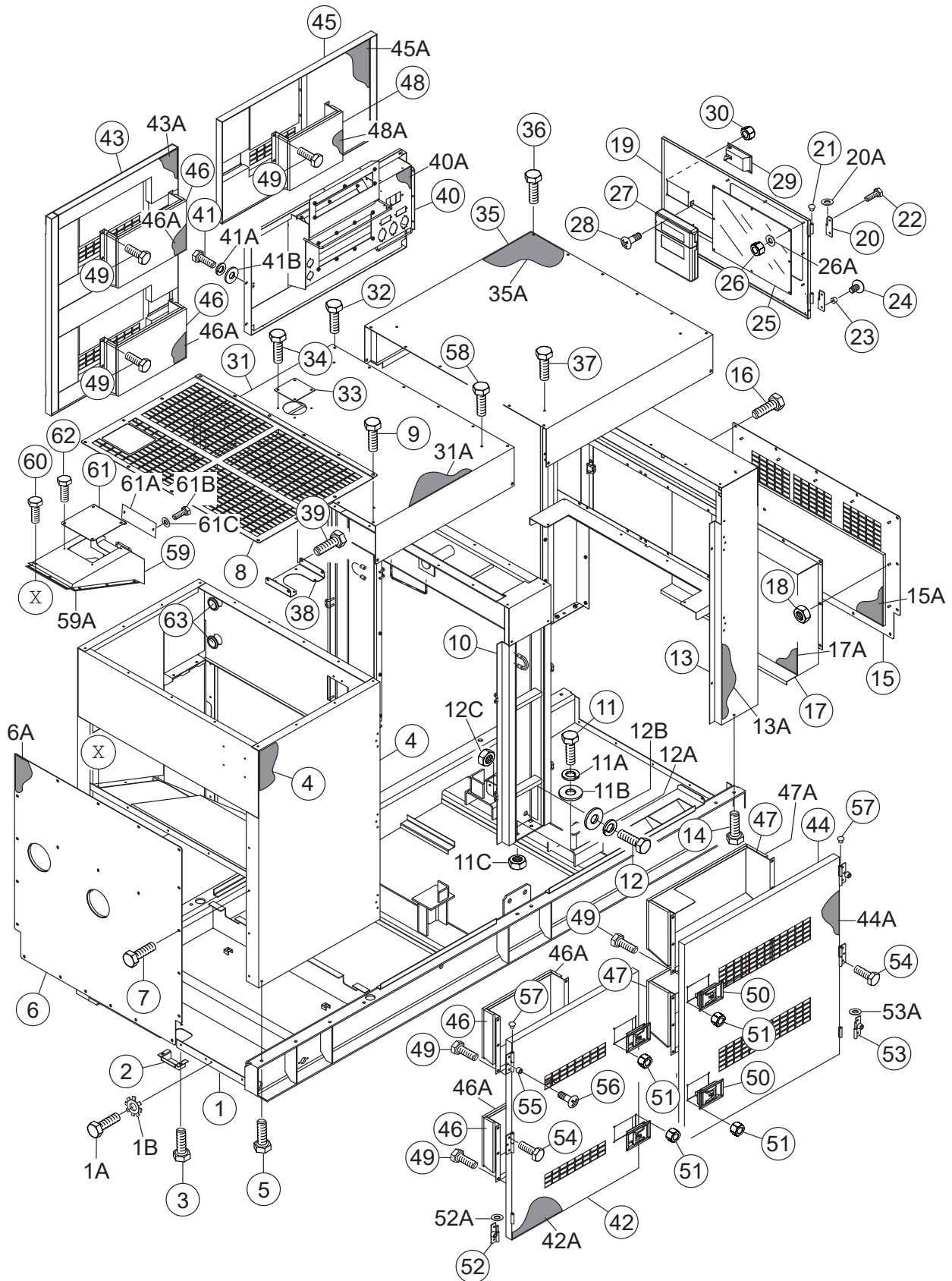
<u>NO.</u>	<u>PART NO.</u>	<u>PART NAME</u>	<u>QTY.</u>	<u>REMARKS</u>
21	0845031504	BLIND PLUG	2.....	REPLACES P/N M931000004
22	0019208020	HEX. HEAD BOLT	3	
23	0601850097	STOPPER	1	
24	0027208025	MACHINE SCREW	1	
25	M4443600004	WINDOW PLATE	1	
26	020106050	SELF-LOCKING U NUT	8.....	REPLACES P/N 0037906000
26A	952404470	WASHER, FLAT	8.....	REPLACES P/N 0041206000
27	0600800320	MANUAL PAK	1	
28	0027106016	MACHINE SCREW	4.....	REPLACES P/N 0021806015
29	Y0605012309	DOOR HANDLE	1	
30	0176060030	SELF-LOCKING NUT	4.....	REPLACES P/N 0207006000
31	M3464100102	ROOF PANEL	1	
31A	M3491600004	ACOUSTIC SHEET	1	
32	0019208020	HEX. HEAD BOLT	10	
33	M3310600004	COVER	1	
34	0019208020	HEX. HEAD BOLT	4	
35	M3464200102	ROOF PANEL	1	
35A	M3491600104	ACOUSTIC SHEET	1	
36	0019208020	HEX. HEAD BOLT	16	
37	0017110025	HEX. HEAD BOLT	4.....	REPLACES P/N 0019210025
38	M3317100004	BRACKET, SURGE TANK	1	
39	011008020	HEX. HEAD BOLT	4.....	REPLACES P/N 0016908020
40	M3454200102	SPLASHER PANEL	1.....	S/N 7601039 AND BELOW
40	M3454200112	SPLASHER PANEL	1.....	S/N 7601040 AND ABOVE
40A	M3494407404	ACOUSTIC SHEET	1	
41	0019108065	HEX. HEAD BOLT	6	
41A	0042308000	WASHER, LOCK	6	
41B	031108160	WASHER, FLAT	6.....	REPLACES P/N 0042408000
42	M3454001203	SIDE DOOR	1	
42A	M3494406804	ACOUSTIC SHEET	1	
43	M3454001303	SIDE DOOR	1	
43A	M3494406904	ACOUSTIC SHEET	1	
44	M3454001403	SIDE DOOR	1	
44A	M3494407004	ACOUSTIC SHEET	1	
45	M3454001503	SIDE DOOR	1	
45A	M3494407104	ACOUSTIC SHEET	1	
46	M3454300604	DUCT	4	
46A	M3494407204	ACOUSTIC SHEET	4	

ADD THE FOLLOWING DIGITS AFTER THE PART NUMBER WHEN ORDERING ANY PAINTED PANEL TO INDICATE COLOR OF UNIT:

1-ORANGE	6-CATERPILLAR YELLOW
2-WHITE	7-CATO GOLD
3-SPECTRUM GREY	8-RED
4-SUNBELT GREEN	9-DESERT TAN
5-BLACK	

THE SERIAL NUMBER MAY BE REQUIRED.

ENCLOSURE ASSY. (CONT'D.)



ENCLOSURE ASSY. (CONT'D.)

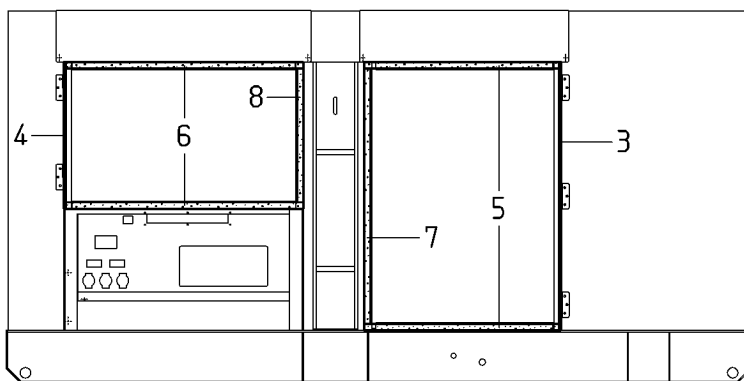
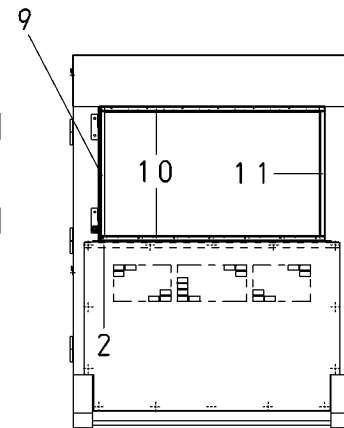
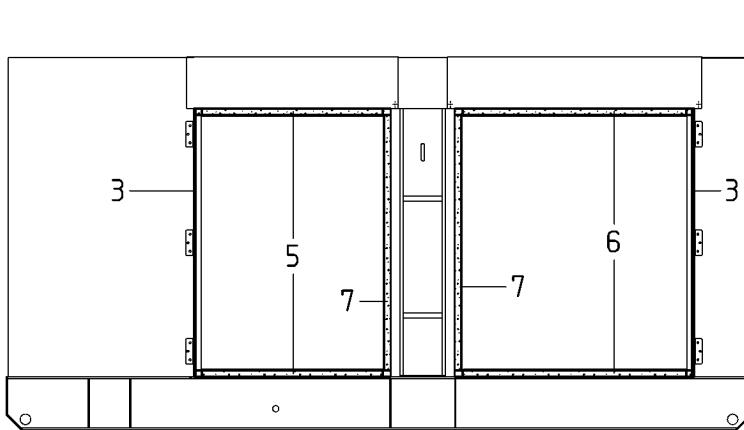
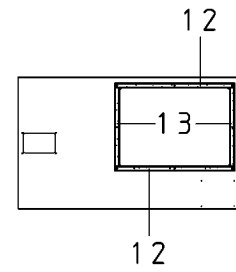
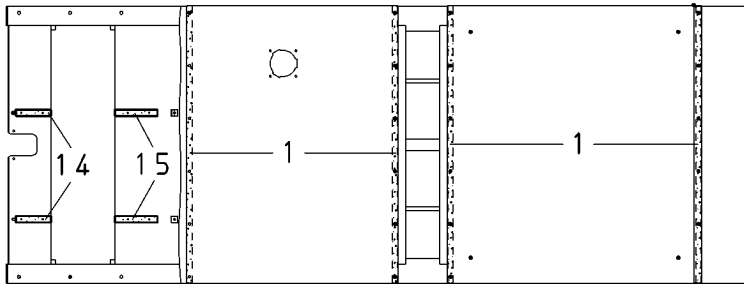
<u>NO.</u>	<u>PART NO.</u>	<u>PART NAME</u>	<u>QTY.</u>	<u>REMARKS</u>
47	M3454300704	DUCT	2	
47A	M3494407304	ACOUSTIC SHEET	2	
48	M3454300804	DUCT	1	
48A	M3494411104	ACOUSTIC SHEET	1	
49	020108060	HEX. NUT	39	REPLACES P/N 0207008000
50	Y0605012309	DOOR HANDLE	7	
51	0176060030	SELF-LOCKING NUT	28	REPLACES P/N 0207006000
52	0845046904	HINGE	5	REPLACES P/N M9110100804
52A	M9116100004	WASHER	5	
53	0845047004	HINGE	6	REPLACES P/N M9110100904
53A	M9116100004	WASHER	6	
54	0019208020	HEX. HEAD BOLT	25	
55	0601850097	STOPPER	8	
56	0027208025	MACHINE SCREW	8	
57	0845031504	BLIND PLUG	11	REPLACES P/N M9310000004
58	0017110025	HEX. HEAD BOLT	4	REPLACES P/N 0019210025
59	M3424700003	DEF TANK COVER A.....	1	S/N 7601130 AND BELOW
59	M3424700013	DEF TANK COVER A.....	1	S/N 7601131 AND ABOVE
59A	Y0229200280	RUBBER SEAL	1	
60	0019208020	HEX. HEAD BOLT	7	
61	M3424701004	DEF TANK COVER B	1	
61A	M3424701104	DEF TANK COVER C	1	
61B	Y0016906020	HEX. HEAD BOLT	2	
61C	Y0041210000	WASHER, FLAT	2	
62	0019206015	HEX. HEAD BOLT	4	
63	0601851736	GROMMET	2	

ADD THE FOLLOWING DIGITS AFTER THE PART NUMBER WHEN ORDERING ANY PAINTED PANEL TO INDICATE COLOR OF UNIT:

1-ORANGE	6-CATERPILLAR YELLOW
2-WHITE	7-CATO GOLD
3-SPECTRUM GREY	8-RED
4-SUNBELT GREEN	9-DESERT TAN
5-BLACK	

THE SERIAL NUMBER MAY BE REQUIRED.

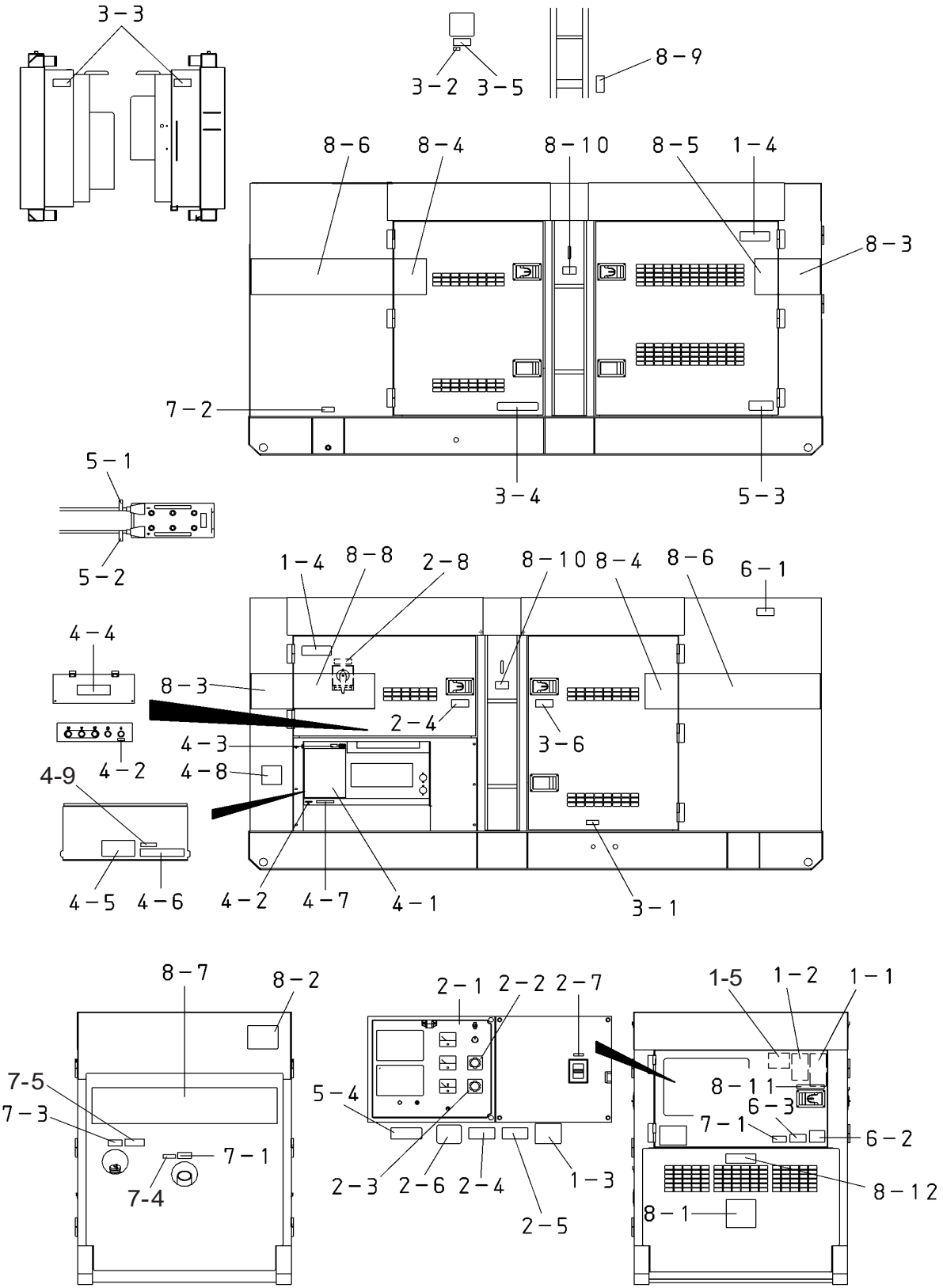
RUBBER SEALS ASSY.



RUBBER SEALS ASSY.

<u>NO.</u>	<u>PART NO.</u>	<u>PART NAME</u>	<u>QTY.</u>	<u>REMARKS</u>
1	Y0229201300	SEAL, RUBBER	4	
2	Y0229201200	SEAL, RUBBER	1	
3	Y0228901260	SEAL, RUBBER	3	
4	Y0228900690	SEAL, RUBBER	1	
5	Y0228900915	SEAL, RUBBER	4	
6	Y0228901115	SEAL, RUBBER	4	
7	Y0228901200	SEAL, RUBBER	3	
8	Y0228900630	SEAL, RUBBER	1	
9	Y0229400630	SEAL, RUBBER	1	
10	Y0228801050	SEAL, RUBBER	2	
11	Y0228800590	SEAL, RUBBER	1	
12	Y0228100560	SEAL, RUBBER	2	
13	Y0228100370	SEAL, RUBBER	2	
14	Y0222100165	RUBBER SHEET	2	
15	Y0222100200	RUBBER SHEET	2	

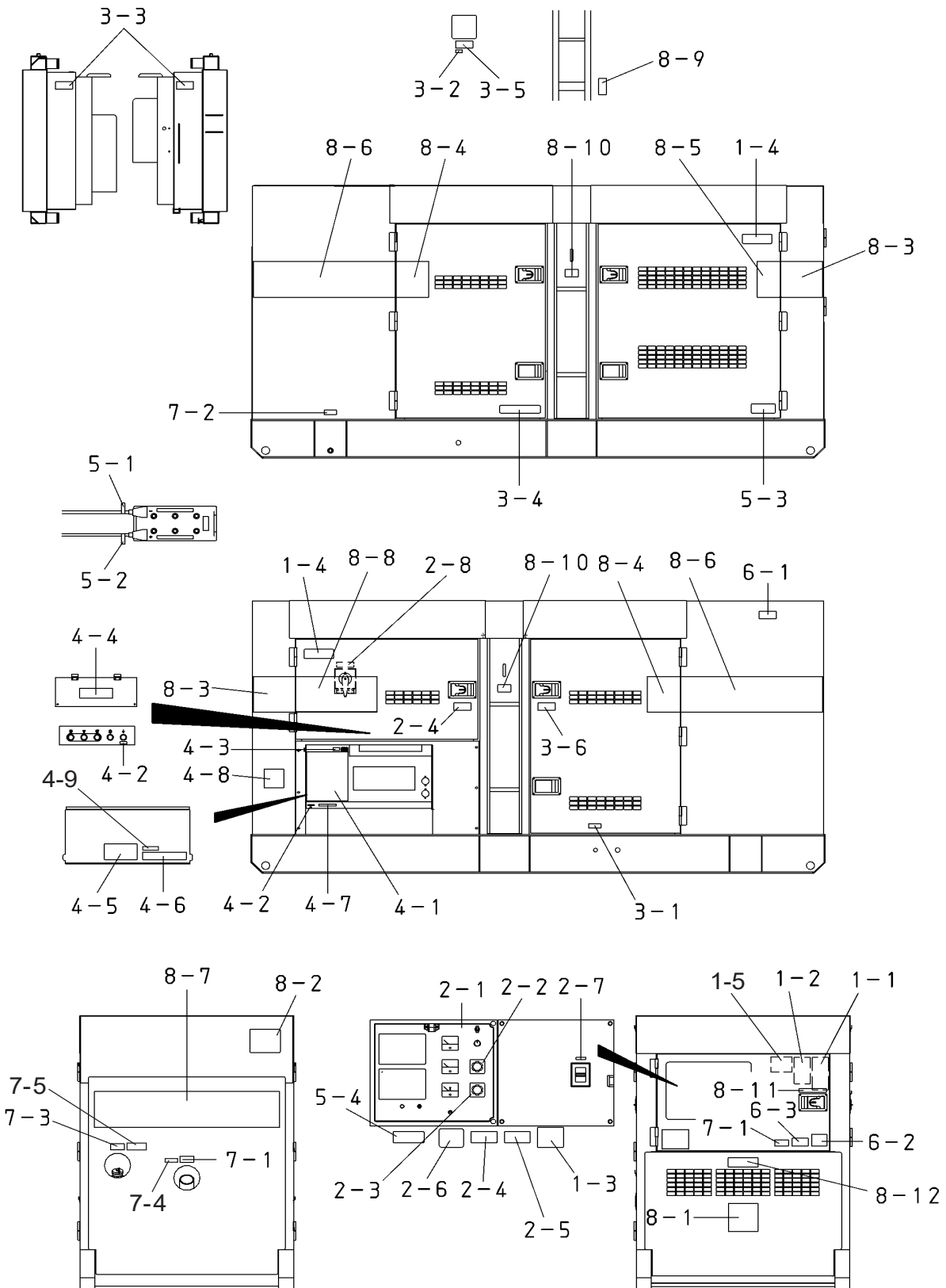
NAMEPLATE AND DECALS ASSY.



NAMEPLATE AND DECALS ASSY.

NO.	PART NO.	PART NAME	QTY.	REMARKS
1-1	M3551000103	DECAL: OPERATING PROCEDURES	1.....	M35100010
1-2	M3551000303	DECAL: DPF REGENERATION PROC.	1.....	M35100030
1-3	M9520100304	DECAL: SAFETY INSTRUCTIONS	1.....	M92010030
1-4	M9520100603	DECAL: CAUTION	2.....	M92010060
1-5	M3551000603	DECAL: SCR INDICATOR	1.....	M35100060
CONTROL PANEL AND BOX GROUP				
2-1	M3551000502	DECAL: CONTROL PANEL	1.....	M35100050
2-2	M9520000104	PLATE: AMMETER CHANGE-OVER SW.	1.....	M92000010
2-3	M9520000204	PLATE: VOLTMETER CHANGE-OVER SW.	1.....	M92000020
2-4	M9520100004	DECAL: WARNING: ELECTRICAL SHK. HAZ. .	2.....	M92010000
2-5	M9520100704	DECAL: WARNING: ARC FLASH	1.....	M92010070
2-6	M9520200404	DECAL: OVER CURRENT RELAY	1.....	M92020040
2-7	M9522000504	DECAL: CIRCUIT BREAKER	1.....	M92200050
2-8	M9520100204	DECAL: CAUTION	1.....	M92010020A
ENGINE AND RADIATOR GROUP				
3-1	M9500000004	DECAL: OIL DRAIN PLUG	1.....	M90000000
3-2	M9500100004	DECAL: WATER	1.....	M90010000
3-3	M9503000004	DECAL: WARNING: ROTATING PART	2.....	M90300000
3-4	M9503000103	DECAL: WATER-OIL CHECK	1.....	M90300010
3-5	M9503100004	DECAL: WARNING: HOT COOLANT	1.....	M90310000
3-6	M9510100004	DECAL: CAUTION: HOT PARTS	1.....	M91010000
OUTPUT TERMINAL GROUP				
4-1	M1550002203	DECAL: RECEPTACLE AND CIRC. BREAKER 1		M15000220 S/N 7601039 AND BELOW
4-1	M1550000703	DECAL: RECEPTACLE AND CIRC. BREAKER 1.....		M15000070 S/N 7601040 AND ABOVE
4-2	M9520000004	DECAL: GROUND	2.....	M92000000
4-3	M9520000504	DECAL: START CONTACT	1.....	M92000050
4-4	M9520200003	DECAL: CONNECTION OF OUTPUT CABLE .	1.....	M92020000
4-5	M9520100404	DECAL: DANGER: HIGH VOLTAGE	1.....	M92010040
4-6	M9520100503	DECAL: WARNING	1.....	M92010050
4-7	M9511100104	DECAL: NOTICE	1.....	M91110010
4-8	M3550000804	DECAL: NOTICE	1.....	M35000080A
4-9	M9521200604	DECAL: BONDED NEUTRAL.....	1.....	M92120060 S/N 7601120 AND ABOVE

NAMEPLATE AND DECALS ASSY. (CONT'D.)



NAMEPLATE AND DECALS ASSY. (CONT'D.)

<u>NO.</u>	<u>PART NO.</u>	<u>PART NAME</u>	<u>QTY.</u>	<u>REMARKS</u>
BATTERY GROUP				
5-1	M9500300004	DECAL: -	1.....	M90030000
5-2	M9500300104	DECAL: +	1.....	M90030010
5-3	M9510100403	DECAL: CAUTION	1.....	M91010040
5-4	M9501300004	DECAL: CAUTION	1.....	M90130000
MUFFLER GROUP				
6-1	M9503200004	DECAL: WARNING: ENGINE EXHAUST	1.....	M90320000
6-2	M9503200104	DECAL: DANGER: EXHAUST	1.....	M90320010
6-3	920214100	DECAL: WARNING: START FIRES	1.....	M90420000
			REPLACES P/N M9504200004
FUEL TANK GROUP				
7-1	M9501500004	DECAL: DIESEL FUEL	2.....	M90150000
7-2	M9500500104	DECAL: FUEL DRAIN PLUG	1.....	M90050010
7-3	M9501500104	DECAL: DIESEL EXHAUST FLUID	1.....	M90150010
7-4	M9504500004	DECAL: REFILL DEF AS WELL	1.....	M90450000
7-5	M9541100004	DECAL: CAUTION: EXHAUST FLUID ONLY	1.....	M94110000
				S/N 7601141 AND ABOVE
ENCLOSURE GROUP				
8-1	M9511200204	DECAL: MQ	1.....	M91120020
8-2	0600500092	EMBLEM	1	
8-2	0021106015	MACHINE SCREW	4	
8-3	M3561100004	STRIPE	2.....	M3110000
8-4	M5560101604	STRIPE	2.....	M56010160
8-5	M4560100904	STRIPE	1.....	M46010090
8-6	M3561100203	STRIPE	2.....	M36110020
8-7	M4560100003	STRIPE	1.....	M46010000
8-8	M3561100104	STRIPE	1.....	M36110010
8-9	M3550002204	DECAL: CAUTION	1.....	M35000220
8-10	M9512000004	DECAL: SUPPORT HOOK	2.....	M91200000
8-11	M9510000104	DECAL: DOCUMENT BOX LOCATED	1.....	M91000010
8-12	M9511200103	DECAL: TIER4F	1.....	M91120010