

# PARTS MANUAL



**WHISPERWATT™ SERIES  
MODEL DCA10SPX4  
60Hz GENERATOR  
(KUBOTA D1503-M DIESEL ENGINE)**

**PARTS LIST NO. B0871307804A**

Revision #1 (02/24/22)



**THIS MANUAL MUST ACCOMPANY THE EQUIPMENT AT ALL TIMES.**

## **DCA10SPX4 60 Hz Generator**

Explanation Of Code In Remarks Column..... 4  
Suggested Spare Parts ..... 5

### **Component Drawings**

Generator Assembly ..... 6–7  
Control Panel Assembly ..... 8–11  
Output Receptacle Assembly ..... 12–13  
Engine And Radiator Assembly..... 14–17  
Battery Assembly..... 18–19  
Muffler Assembly ..... 20–21  
Fuel Tank Assembly..... 22–23  
Enclosure Assembly ..... 24–27  
Rubber Seals Assembly ..... 28–29  
Nameplate And Decals Assembly ..... 30–33

#### **NOTICE**

Specifications and part numbers are subject to change without notice.

# EXPLANATION OF CODE IN REMARKS COLUMN

The following section explains the different symbols and remarks used in the Parts section of this manual. Use the help numbers found on the back page of the manual if there are any questions.

## NOTICE

The contents and part numbers listed in the parts section are subject to change **without notice**. Multiquip does not guarantee the availability of the parts listed.

## SAMPLE PARTS LIST

NO.	PART NO.	PART NAME	QTY.	REMARKS
1	12345	BOLT .....	1	INCLUDES ITEMS W/%
2%		WASHER, 1/4 IN. ....		NOT SOLD SEPARATELY
2%	12347	WASHER, 3/8 IN. ...	1	MQ-45T ONLY
3	12348	HOSE .....	A/R	MAKE LOCALLY
4	12349	BEARING .....	1	S/N 2345B AND ABOVE

## NO. Column

**Unique Symbols** — All items with same unique symbol (@, #, +, %, or >) in the number column belong to the same assembly or kit, which is indicated by a note in the “Remarks” column.

**Duplicate Item Numbers** — Duplicate numbers indicate multiple part numbers, which are in effect for the same general item, such as different size saw blade guards in use or a part that has been updated on newer versions of the same machine.

## NOTICE

When ordering a part that has more than one item number listed, check the remarks column for help in determining the proper part to order.

## PART NO. Column

**Numbers Used** — Part numbers can be indicated by a number, a blank entry, or TBD.

TBD (To Be Determined) is generally used to show a part that has not been assigned a formal part number at the time of publication.

A blank entry generally indicates that the item is not sold separately or is not sold by Multiquip. Other entries will be clarified in the “Remarks” Column.

## QTY. Column

**Numbers Used** — Item quantity can be indicated by a number, a blank entry, or A/R.

A/R (As Required) is generally used for hoses or other parts that are sold in bulk and cut to length.

A blank entry generally indicates that the item is not sold separately. Other entries will be clarified in the “Remarks” Column.

## REMARKS Column

Some of the most common notes found in the “Remarks” Column are listed below. Other additional notes needed to describe the item can also be shown.

**Assembly/Kit** — All items on the parts list with the same unique symbol will be included when this item is purchased.

Indicated by:

“INCLUDES ITEMS W/(unique symbol)”

**Serial Number Break** — Used to list an effective serial number range where a particular part is used.

Indicated by:

“S/N XXXXX AND BELOW”

“S/N XXXX AND ABOVE”

“S/N XXXX TO S/N XXX”

**Specific Model Number Use** — Indicates that the part is used only with the specific model number or model number variant listed. It can also be used to show a part is NOT used on a specific model or model number variant.

Indicated by:

“XXXXX ONLY”

“NOT USED ON XXXX”

**“Make/Obtain Locally”** — Indicates that the part can be purchased at any hardware shop or made out of available items. Examples include battery cables, shims, and certain washers and nuts.

**“Not Sold Separately”** — Indicates that an item cannot be purchased as a separate item and is either part of an assembly/kit that can be purchased, or is not available for sale through Multiquip.

## SUGGESTED SPARE PARTS

### DCA10SPX4 WHISPERWATT GENERATOR WITH KUBOTA D1503-M DIESEL ENGINE

#### 1 TO 3 UNITS

Qty.	P/N	Description
5.....	7000032091.....	CARTRIDGE, OIL FILTER
5.....	1522143172.....	ELEMENT, FUEL FILTER
3.....	0602046335.....	ELEMENT, AIR
1.....	1G38297011.....	FAN BELT
1.....	0810105800.....	CAP, FUEL TANK
1.....	1554383040.....	SENDER, WATER SWITCH (ENGINE)
1.....	1584139010.....	SENDER, OIL SWITCH (ENGINE)
5.....	0601806642.....	FUSE, 5A
4.....	0601806645.....	FUSE, 10A
1.....	0601806640.....	FUSE, 65A
1.....	0601820663.....	AUTOMATIC VOLTAGE REGULATOR
1.....	0601840073.....	RHEOSTAT
1.....	0601840121.....	KNOB, RHEOSTAT
1.....	0601808803.....	CIRCUIT BREAKER 1P 20A
1.....	Y0601870456.....	CIRCUIT BREAKER 1P 30A
1.....	0601808808.....	CIRCUIT BREAKER 2P 30A
1.....	0601808809.....	CIRCUIT BREAKER 2P 45A

#### **NOTICE**

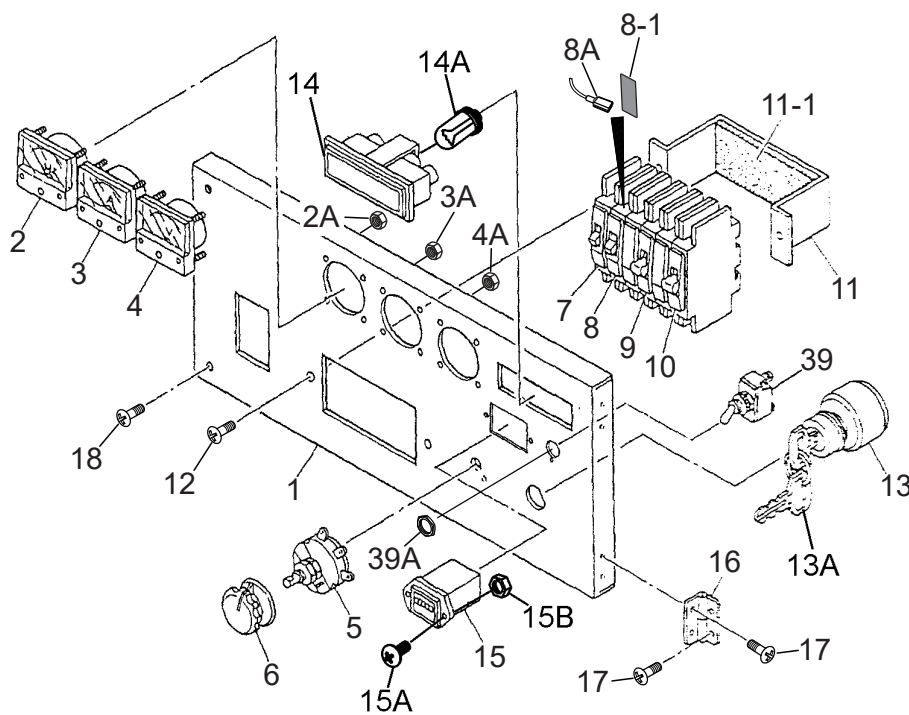
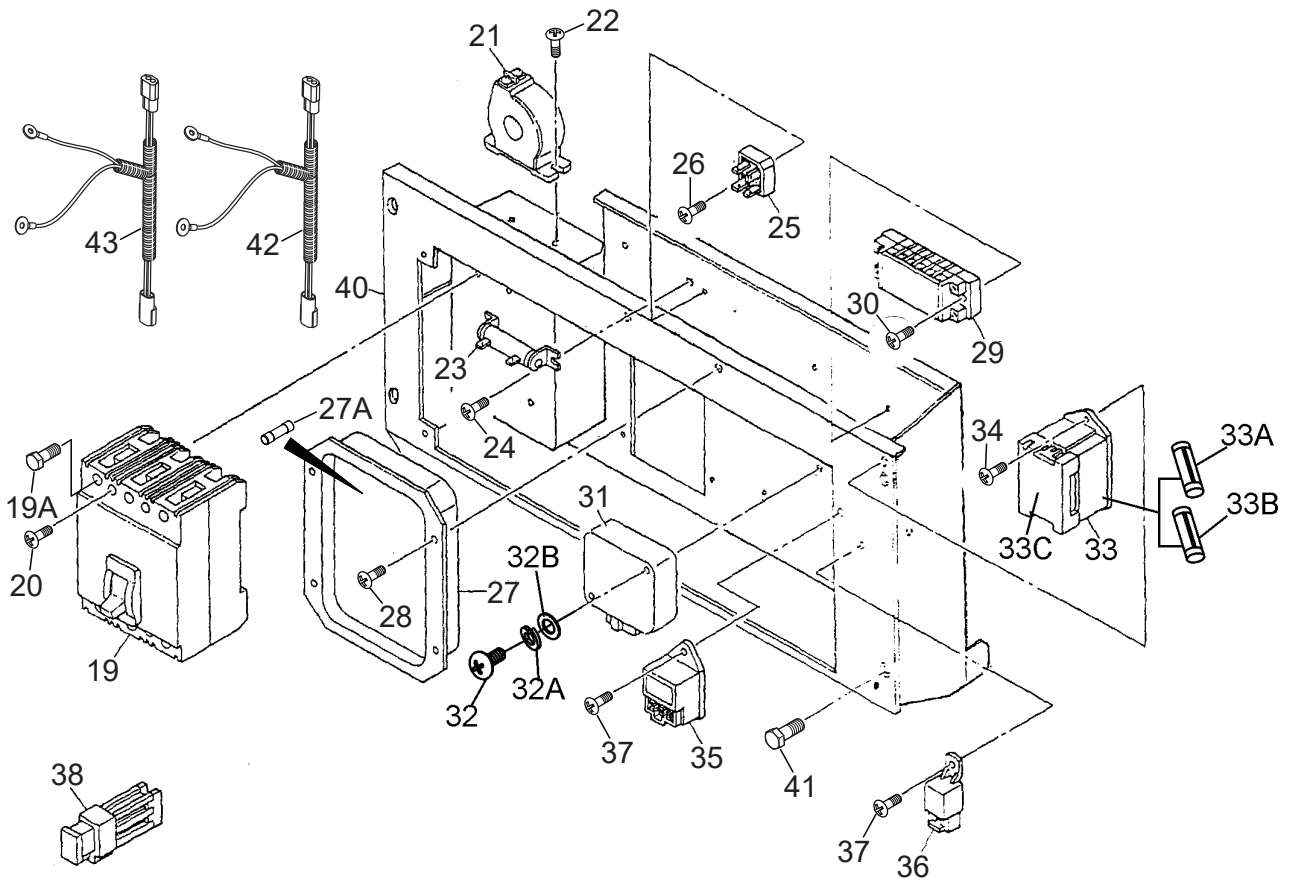
Part number on this Suggested Spare Parts list may supersede/replace the P/N shown in the text pages of this book.



# GENERATOR ASSY.

<u>NO.</u>	<u>PART NO.</u>	<u>PART NAME</u>	<u>QTY.</u>	<u>REMARKS</u>
1	8321000102	ROTOR ASSY. ....	1	INCLUDES ITEMS W/#
1-1#		FIELD ASSY.	1	
1-2#	0601821374	RECTIFIER	1	
1-3#	0601822630	SURGE ABSORBER .....	1	TNR23G471K
1-4#	8001070003	FAN	1	
1-5#	8351611004	COUPLING DISK	2	
1-6#	8351612004	WASHER, COUPLING HUB	1	
1-7#	8351615003	BALANCING PLATE .....	1	PURCHASE 1-10 AS A SET
1-8#	0010310025	HEX. HEAD BOLT	4	
1-9#	0042610000	WASHER, LOCK	4	
1-10#	0601000209	BALANCING WEIGHT KIT	1	
1-11#	0071906308	BEARING .....	1	6308DDU C3
2	0070506903	BEARING .....	1	6903ZZ
3	0012808035	HEX. HEAD BOLT	6	
5	B0130101003	STATOR ASSY. ....	1	INCLUDES ITEMS W/%
5-1%	0845041904	GROMMET	1	
6	8431350003	FIELD ASSY., EXCITER	1	
7	0016008045	HEX. SOCKET HEAD CAP SCREW	3	
8	0042508000	WASHER, LOCK	3	
9	8351315003	END BRACKET	1	
10	0017108035	HEX. HEAD BOLT	6	
11	8351312004	PACKING	1	
12	8351331004	COVER, SUCTION	1	
13	0017106016	HEX. HEAD BOLT	3	
14	0012810025	HEX. HEAD BOLT	6	
16	B0155400204	COVER, FAN	1	
17	0010106030	HEX. HEAD BOLT	1	
18	0041206000	WASHER, FLAT	1	
19	0805083204	RUBBER SUSPENSION	2	
20	0207010000	HEX. NUT	2	
21	0601815000	NUT	1	

# CONTROL PANEL ASSY.

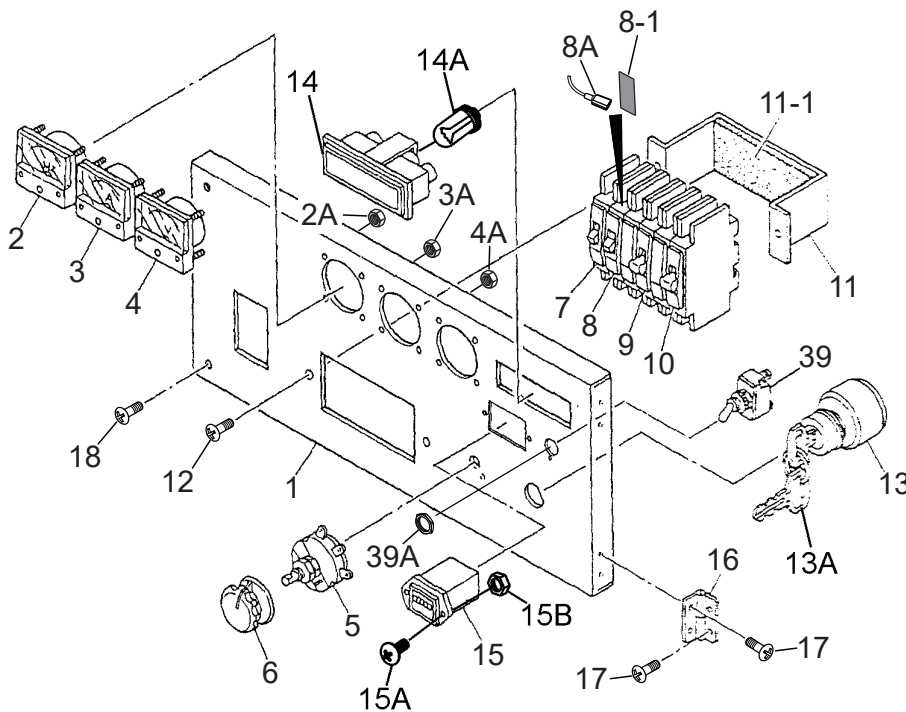
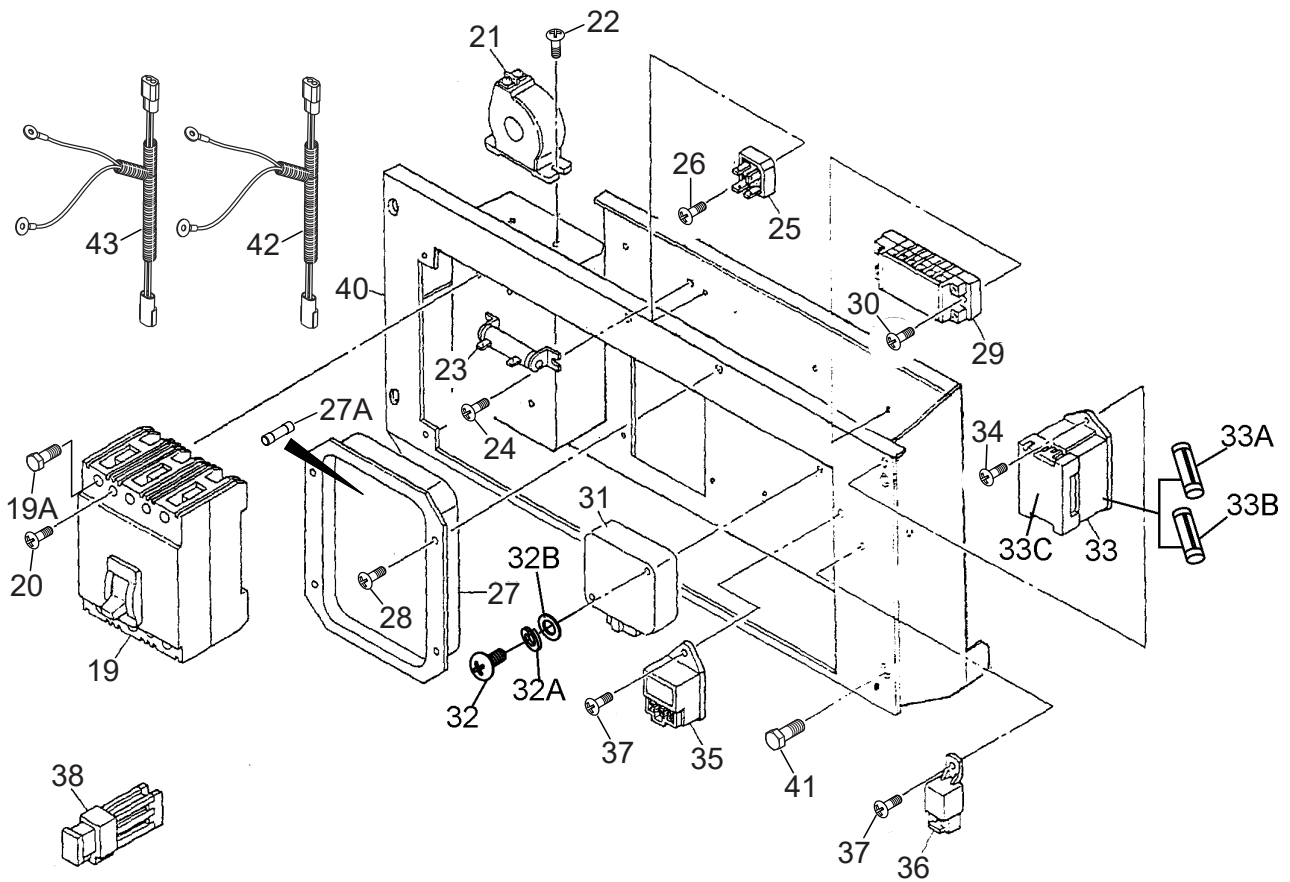


## CONTROL PANEL ASSY.

<u>NO.</u>	<u>PART NO.</u>	<u>PART NAME</u>	<u>QTY.</u>	<u>REMARKS</u>
1	B0224005123	CONTROL PANEL	1	
2	0601800455	FREQUENCY METER, 45~65 Hz	1	
2A	0207003000	HEX. NUT	4	
3	0601805745	AC AMMETER, 0~75/5A	1	
3A	0207003000	HEX. NUT	4	
4	0601800281	AC VOLTMETER, 0~150/300V	1	
4A	0207003000	HEX. NUT	4	
5	0601840073	RHEOSTAT (VR), 2W 1K $\Omega$	1	
6	0601840121	KNOB, RHEOSTAT	1	
7	0601808803	CIRCUIT BREAKER, 1P 20A	1	
8	Y0601870456	CIRCUIT BREAKER, 1P 30A	1	
8A	Y0601815588	CRIMPING TERMINAL	1	
8-1	0222700050	RUBBER SEAL	1	
9	0601808808	CIRCUIT BREAKER, 2P 30A	1	
10	0601808809	CIRCUIT BREAKER, 2P 45A	1	
11	M0261600004	BRACKET	1	
11-1	0222100120	RUBBER CUSHION	1	
12	0021806015	MACHINE SCREW	2	
13	1628663602	STARTER SWITCH .....	1	REPLACES 0602100077
13A	3741055150	KEY, STARTER SWITCH	1	
14	0601810523	WARNING LAMP UNIT	1	
14A	0601810830	BULB	4	
15	0601800682	HOUR METER	1	
15A	0027403010	MACHINE SCREW	2	
15B	0207003000	HEX. NUT	2	
16	0605010060	HINGE	2	
17	0027103008	MACHINE SCREW	8	
18	0021806030	MACHINE SCREW	2	
19	Y0601808830	CIRCUIT BREAKER, 3P 45A	1	
19A	0013202100	HEX. HEAD BOLT	6	
20	0021004070	MACHINE SCREW	2	
21	0601801123	CURRENT TRANS., AMMETER, 150/5A	1	
22	0027105015	MACHINE SCREW	2	
23	0601842384	RESISTOR, GG20W50 $\Omega$	1	
24	0027104015	MACHINE SCREW	2	
25	0601820038	RECTIFIER	1	
26	0027104020	MACHINE SCREW	1	
27	0601820663	AUTOMATIC VOLTAGE REGULATOR .....	1	INCLUDES ITEMS W/#
27A#	0601806681	FUSE, 5A	1	
28	0027105015	MACHINE SCREW	4	
29	0601815759	TERMINAL BOARD	1	
30	0027104020	MACHINE SCREW	2	
31	1G38560601	ENGINE CONTROL UNIT .....	1	REPLACES P/N 0602202634
32	0021005050	MACHINE SCREW	2	
32A	0040005000	WASHER, LOCK	2	
32B	0041205000	WASHER, FLAT	2	



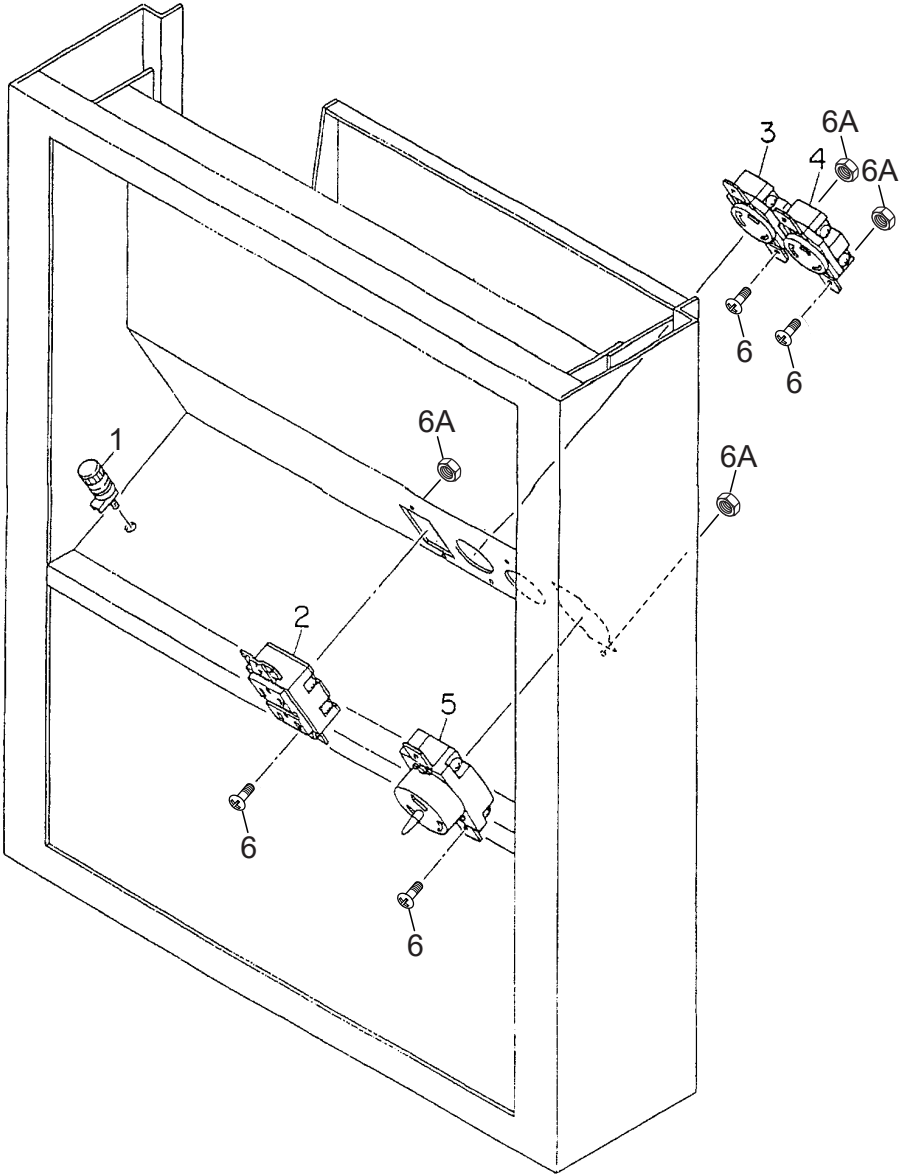
# CONTROL PANEL ASSY. (CONT'D.)



## CONTROL PANEL ASSY. (CONT'D.)

<u>NO.</u>	<u>PART NO.</u>	<u>PART NAME</u>	<u>QTY.</u>	<u>REMARKS</u>
33	B0214600404	FUSE BOX.....	1.....	INCLUDES ITEMS W/%
33A%	0601806642	FUSE, 5A	5	
33B%	0601806645	FUSE, 10A	4	
33C	B0551002104	DECAL: FUSE BOX	1	
34	0027105015	MACHINE SCREW	2	
35	RP42153731	RELAY ASSY.....	1.....	REPLACES P/N 0602202635
36	6888153542	RELAY .....	1.....	REPLACES P/N 0602202566
37	0027104020	MACHINE SCREW	2	
38	0601806640	FUSE, 65A	1	
39	0601830708	SPEED CONTROL SWITCH	1	
39A	0601831978	INSTALLATION RING	1	
40	B0214002913	CONTROL BOX	1	
41	0017108020	HEX. HEAD BOLT	4	
42	B0247712210	WIRE HARNESS, GENERATOR	1	
43	B0358208100	WIRE HARNESS, ENGINE	1	

**OUTPUT RECEPTACLE ASSY.**

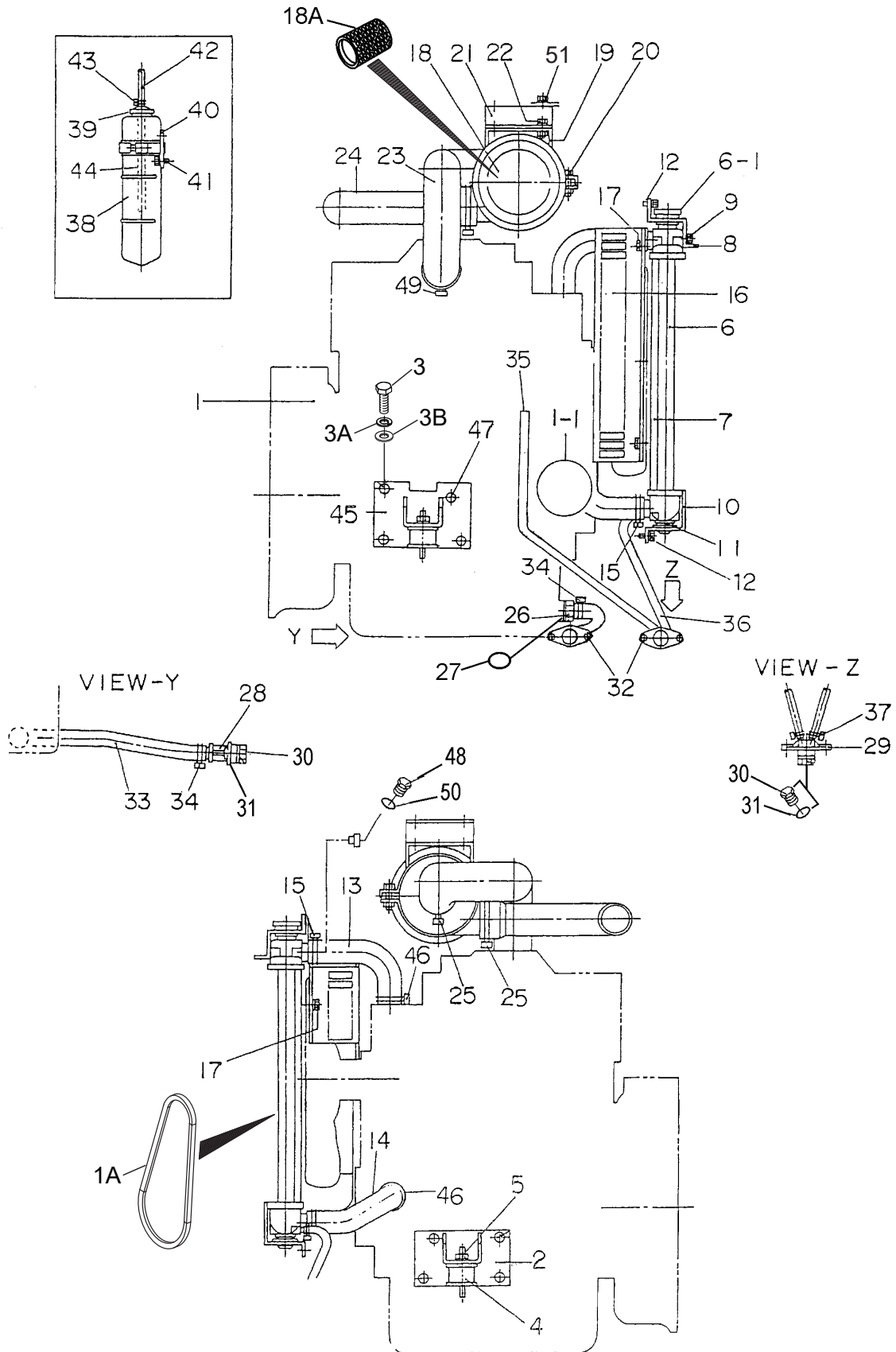


## OUTPUT RECEPTACLE ASSY.

---

<u>NO.</u>	<u>PART NO.</u>	<u>PART NAME</u>	<u>QTY.</u>	<u>REMARKS</u>
1	0601815109	GROUND TERMINAL	1	
2	Y0601814034	RECEPTACLE, GFWR2-E	1	
3	0601811035	RECEPTACLE, L5-30R	1	
4	0601811033	RECEPTACLE, L6-30R	1	
5	0601814014	RECEPTACLE, CS6369	1	
6	0027104015	MACHINE SCREW	8	
6A	0207004000	HEX. NUT	8	

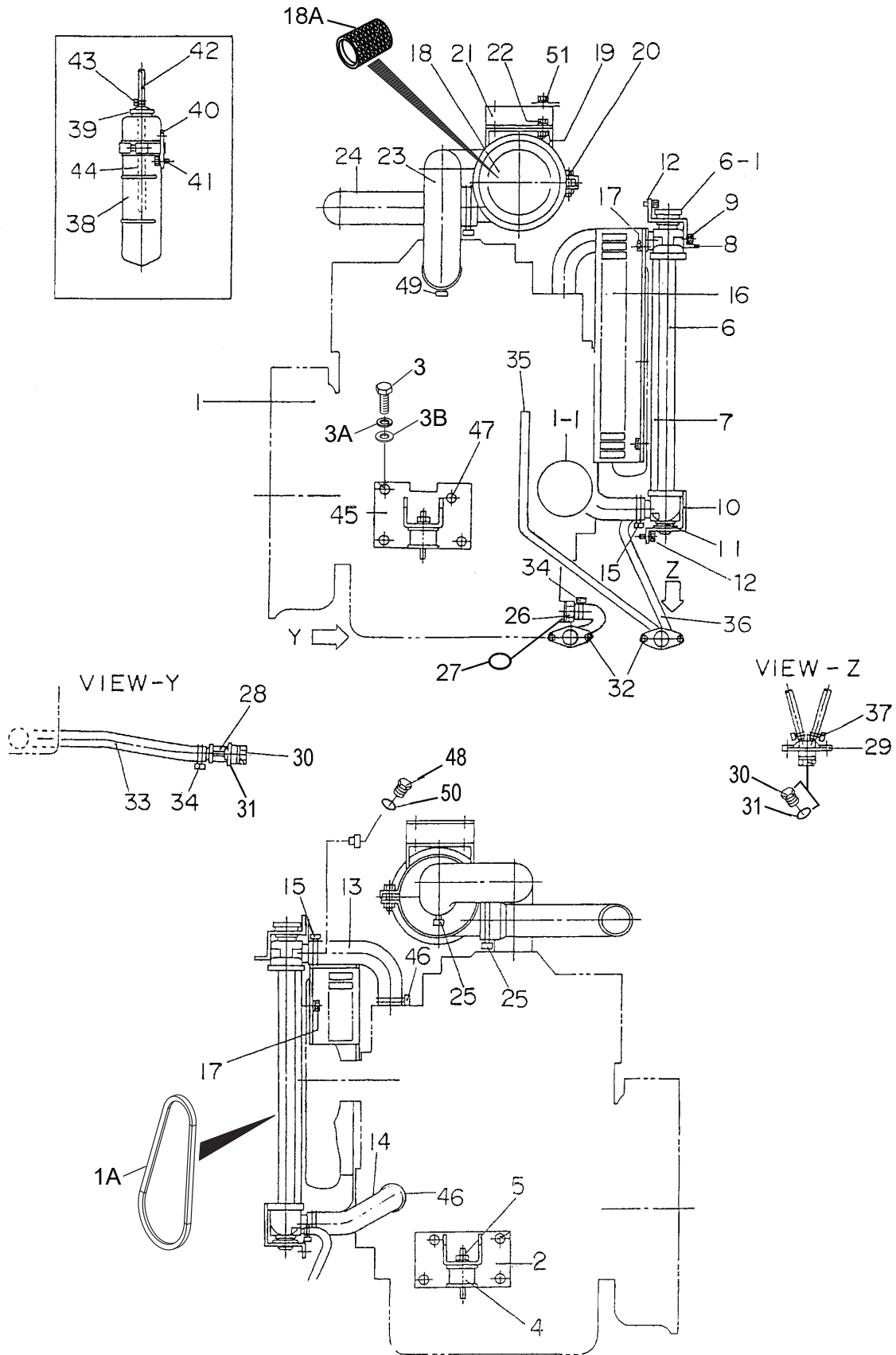
# ENGINE AND RADIATOR ASSY.



## ENGINE AND RADIATOR ASSY.

<u>NO.</u>	<u>PART NO.</u>	<u>PART NAME</u>	<u>QTY.</u>	<u>REMARKS</u>
1	M092420014	ENGINE, KUBOTA D1503-M .....	1.....	INCLUDES ITEMS W/\$
1A\$	1G38297011	FAN BELT .....	1.....	REPLACES P/N 0602015260
1-1\$	7000032091	CARTRIDGE, OIL FILTER .....	1.....	REPLACES P/N 0602041173
2	B0304200403	ENGINE FOOT	1	
3	0011712025	HEX. HEAD BOLT	7	
3A	0040012000	WASHER, LOCK	7	
3B	0041212000	WASHER, FLAT	7	
4	7605419004	RUBBER SUSPENSION	2	
5	0207010000	HEX. NUT	2	
6	0602012733	RADIATOR.....	1.....	INCLUDES ITEMS W/#
6-1#	0602011079	CAP, RADIATOR	1	
7	0220300400	RUBBER SEAL	2	
8	B1311100204	BRACKET, RADIATOR	1	
9	0016908020	HEX. HEAD BOLT	2	
10	B0311100603	BRACKET, RADIATOR	1	
11	B1312600004	MOUNT RUBBER	2	
12	0017108020	HEX. HEAD BOLT	5	
13	B0311500803	RADIATOR HOSE, UPPER	1	
14	B0311500903	RADIATOR HOSE, LOWER	1	
15	0605515136	HOSE BAND	2	
16	B0311200403	FAN GUARD	1	
17	0017108020	HEX. HEAD BOLT	3	
18	0602046268	AIR CLEANER.....	1.....	INCLUDES ITEMS W/%
18A%	0602046335	ELEMENT, AIR CLEANER	1	
19	8722031503	BAND, AIR CLEANER	1	
20	0017108030	HEX. HEAD BOLT	1	
21	B1374200204	BRACKET, AIR CLEANER	1	
22	0016908020	HEX. HEAD BOLT	2	
23	B1374100503	HOSE, AIR CLEANER	1	
24	B0374100304	HOSE, AIR CLEANER	1	
25	0605515001	HOSE BAND	2	
26	1502025004	DRAIN JOINT	1	
27	0602021193	PACKING	1	
28	1502025103	DRAIN JOINT	1	
29	1622014103	DRAIN JOINT	1	
30	0802011104	PLUG	2	
31	0150000018	O RING	2	
32	0016906020	HEX. HEAD BOLT	4	
33	B0321100304	DRAIN HOSE	1	
34	0605515064	HOSE BAND	2	
35	0199900500	DRAIN HOSE	1	
36	0199900350	DRAIN HOSE	1	
37	0605515094	HOSE BAND	4	
38	0802081403	RESERVE TANK	1	

# ENGINE AND RADIATOR ASSY. (CONT'D.)



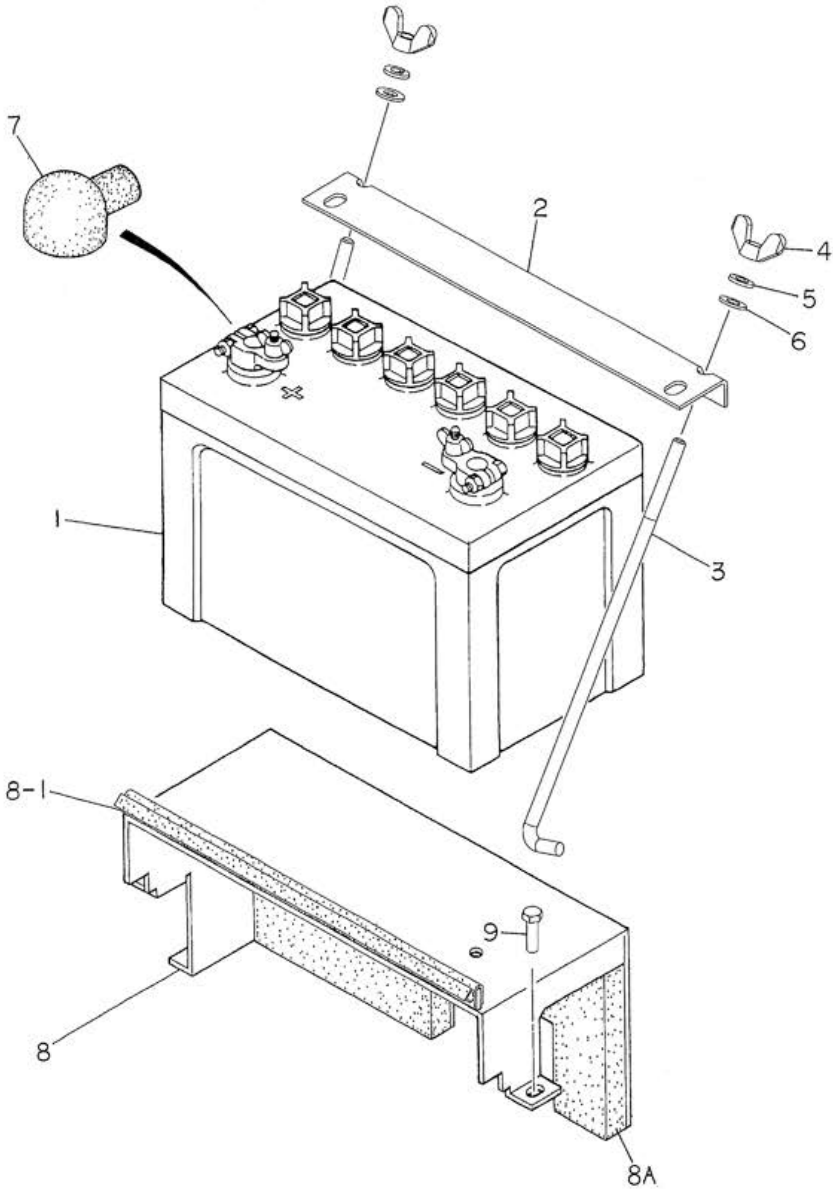
## **ENGINE AND RADIATOR ASSY. (CONT'D.)**

---

<b><u>NO.</u></b>	<b><u>PART NO.</u></b>	<b><u>PART NAME</u></b>	<b><u>QTY.</u></b>	<b><u>REMARKS</u></b>
39	0802081104	CAP, RESERVE TANK	1	
40	8702082004	BRACKET, RESERVE TANK	1	
41	0016906015	HEX. HEAD BOLT	3	
42	0199900450	HOSE	1	
43	0605515094	HOSE BAND	2	
44	0199100215	HOSE	1	
45	B0304200504	ENGINE FOOT	1	
46	0605515136	HOSE BAND	2	
47	0012410025	HEX. HEAD BOLT	1	
48	M9200100904	PLUG	1	
49	0605515117	HOSE BAND	1	
50	0150000016	O-RING	1	
51	0019208020	HEX. HEAD BOLT	2	



**BATTERY ASSY.**

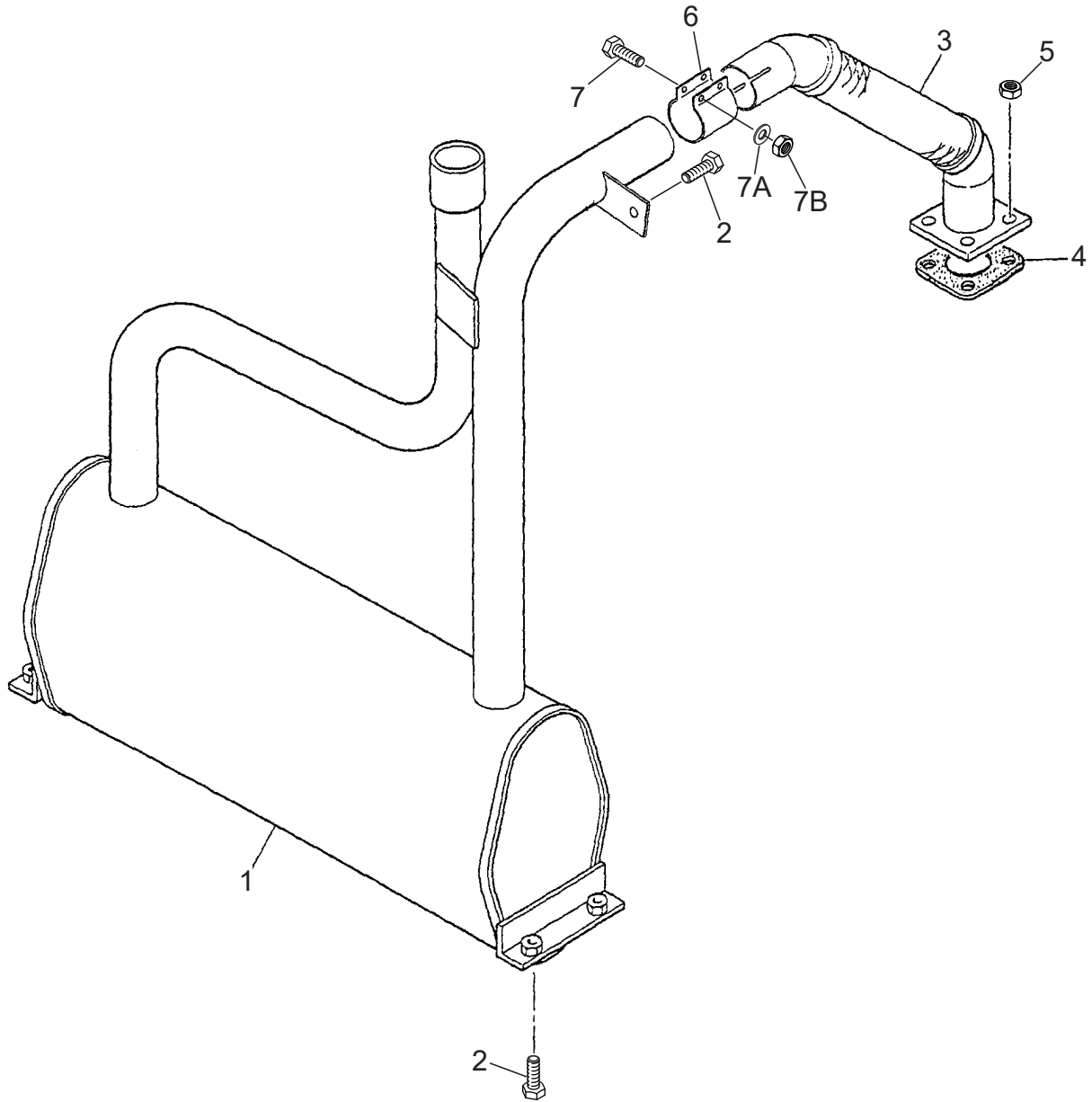


## BATTERY ASSY.

---

<u>NO.</u>	<u>PART NO.</u>	<u>PART NAME</u>	<u>QTY.</u>	<u>REMARKS</u>
1	0165308026	BATTERY	1	
2	B1345200114	BATTERY BAND	1	
3	0805002904	BATTERY BOLT	2	
4	0037808000	WING NUT	2	
5	0040008000	WASHER, LOCK	2	
6	0041208000	WASHER, FLAT	2	
7	0845040414	TERMINAL CAP	1	
8	B1344200203	BATTERY FRAME	1	
8A	B0491700004	LINING	1	
8-1	0314200350	RUBBER SEAL	1	
9	0017108020	HEX. HEAD BOLT	3	

# MUFFLER ASSY.

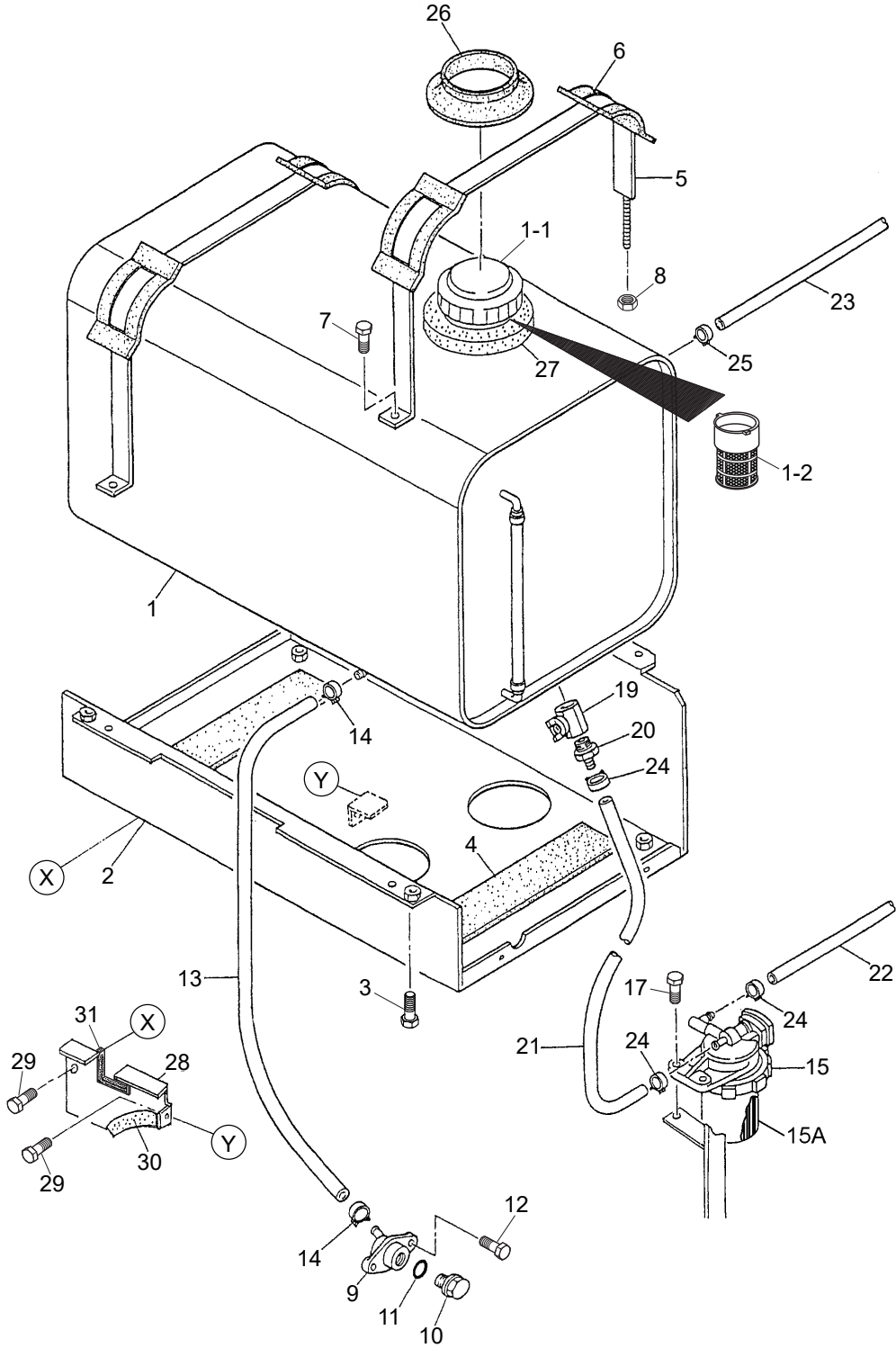


## MUFFLER ASSY.

---

<u>NO.</u>	<u>PART NO.</u>	<u>PART NAME</u>	<u>QTY.</u>	<u>REMARKS</u>
1	B0331100703	MUFFLER	1	
2	0017108020	HEX. HEAD BOLT	4	
3	B0334000503	EXHAUST PIPE	1	
4	1526312371	GASKET .....	1.....	REPLACES P/N 0602320153
5	0207108000	HEX. NUT	4	
6	0602325094	PIPE BAND	1	
7	0341510040	HEX. HEAD BOLT	2	
7A	0042410000	WASHER, FLAT	2	
7B	0207110000	NUT	2	

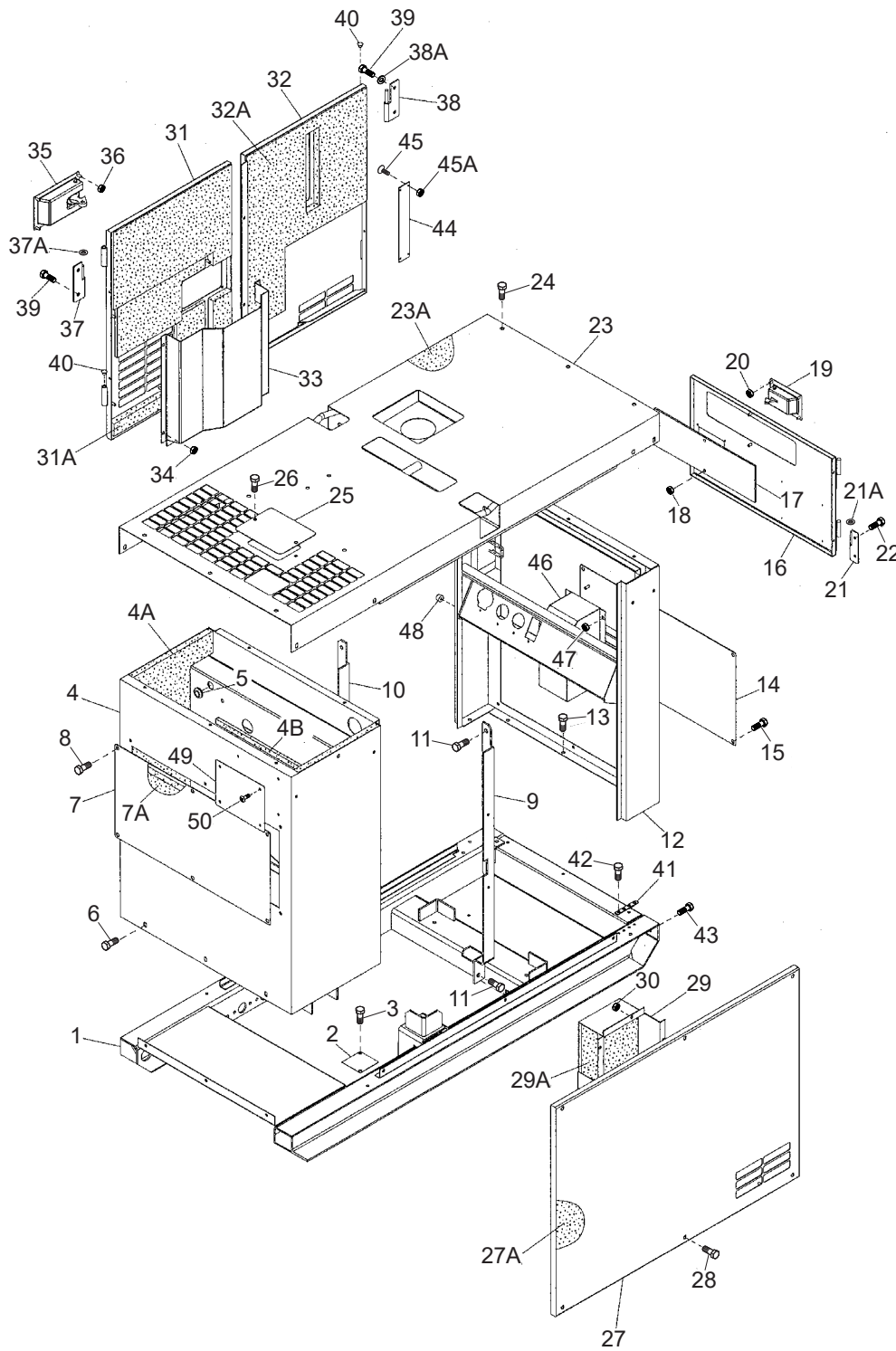
**FUEL TANK ASSY.**



## FUEL TANK ASSY.

<u>NO.</u>	<u>PART NO.</u>	<u>PART NAME</u>	<u>QTY.</u>	<u>REMARKS</u>
1	B0364000703	FUEL TANK.....	1.....	INCLUDES ITEMS W/#
1-1#	0810105800	CAP, FUEL TANK	1	
1-2#	0810105900	FUEL FILTER	1	
2	B0364300403	BRACKET, FUEL TANK	1	
3	0017108020	HEX. HEAD BOLT	4	
4	0222100300	TANK SHEET	2	
5	8435523024	TANK BAND	2	
6	0805003414	PAD, TANK BAND	4	
7	0017108020	HEX. HEAD BOLT	2	
8	0037908000	HEX. NUT	2	
9	7812014003	DRAIN JOINT	1	
10	0802011104	PLUG	1	
11	0150000018	O-RING	1	
12	0016906015	HEX. HEAD BOLT	2	
13	0199901200	DRAIN HOSE	1	
14	0605515094	HOSE BAND	2	
15	1522143016	FUEL FILTER.....	1.....	REPLACES P/N 0602042462 INCLUDES ITEMS W/%
15A%	1522143172	ELEMENT, FUEL FILTER .....	1.....	REPLACES P/N 0602042551
17	0017108035	HEX. HEAD BOLT	2	
19	0603325013	VALVE, 3/8	1	
20	0602022219	HOSE JOINT	1	
21	0199900200	SUCTION HOSE	1	
22	0199900250	SUCTION HOSE	1	
23	0199700250	RETURN HOSE	1	
24	0605515094	HOSE BAND	4	
25	0605515096	HOSE BAND	2	
26	B9312400004	RUBBER SEAL	1	
27	B9311400104	RUBBER SEAL	1	
28	B0484300004	BRACKET	1	
29	0017106015	HEX. HEAD BOLT	2	
30	0220300160	RUBBER SEAL	1	
31	0226900100	RUBBER SEAL	1	

# ENCLOSURE ASSY.

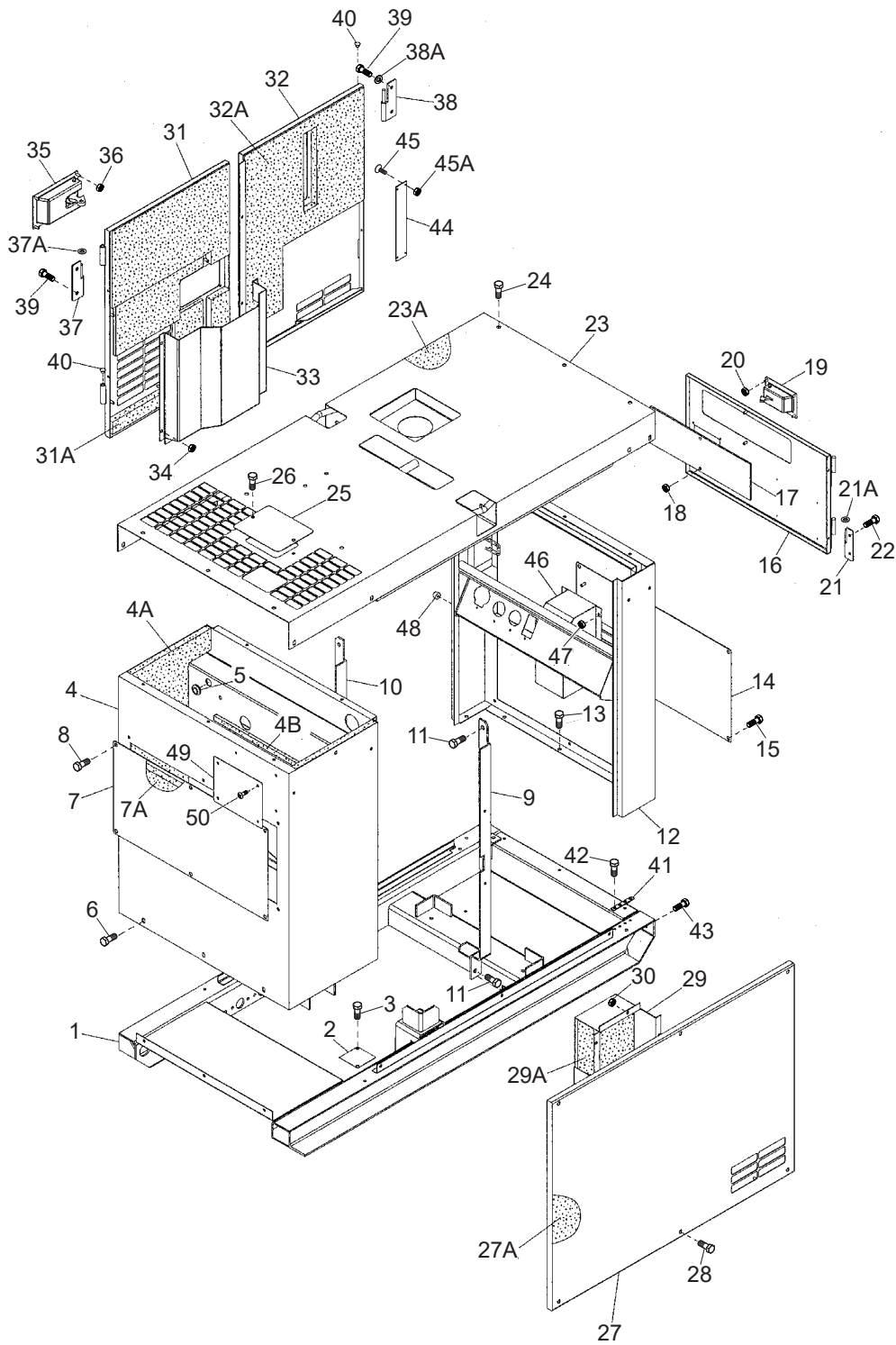


## ENCLOSURE ASSY.

<u>NO.</u>	<u>PART NO.</u>	<u>PART NAME</u>	<u>QTY.</u>	<u>REMARKS</u>
1	B0414002202	BASE	1	
2	D3414800104	COVER	1	
3	0016906015	HEX. HEAD BOLT	2	
4	B0424001312	FRONT FRAME	1	
4A	B0494100914	LINING	1	
4B	0315900475	RUBBER SEAL	2	
5	0601850239	GROMMET	1	
6	0016908020	HEX. HEAD BOLT	5	
7	8435125004	COVER, FRONT FRAME	1	
7A	B0495100804	LINING	1	
8	0016908020	HEX. HEAD BOLT	6	
9	B0434300203	HANGER	1	
10	B0434300703	HANGER	1	
11	0012312030	HEX. HEAD BOLT	4	
12	B0444003902	REAR FRAME	1	
13	0016908020	HEX. HEAD BOLT	5	
14	B1454400404	COVER, REAR FRAME	1	
15	0016908020	HEX. HEAD BOLT	6	
16	B0444200603	DOOR, REAR FRAME	1	
17	B0445600304	WINDOW PLATE	1	
18	0207006000	HEX. NUT	2	
19	0605010230	DOOR HANDLE	1	
20	0021805012	HEX. NUT	4	
21	0805019004	HINGE	2	
21A	D9116000004	WASHER	2	
22	0016906016	HEX. HEAD BOLT	4	
23	B0464001012	ROOF PANEL	1	
23A	B0494500104	LINING	1	
24	0016908020	HEX. HEAD BOLT	16	
25	8452023004	COVER	1	
26	0016908020	HEX. HEAD BOLT	2	
27	B0454100513	SIDE PANEL	1	
27A	B0494400414	LINING	1	
28	0016908035	HEX. HEAD BOLT	6	
29	B0455300424	DUCT	1	
29A	B0495401014	LINING	1	
30	0207006000	HEX. NUT	6	
31	B0454000913	SIDE DOOR	1	
31A	B0494400504	LINING	1	
32	B0454000803	SIDE DOOR	1	
32A	B0494400604	LINING	1	
33	B0454300404	DUCT	1	
34	0207006000	HEX. NUT	5	
35	0605012318	DOOR HANDLE	1	



# ENCLOSURE ASSY. (CONT'D.)

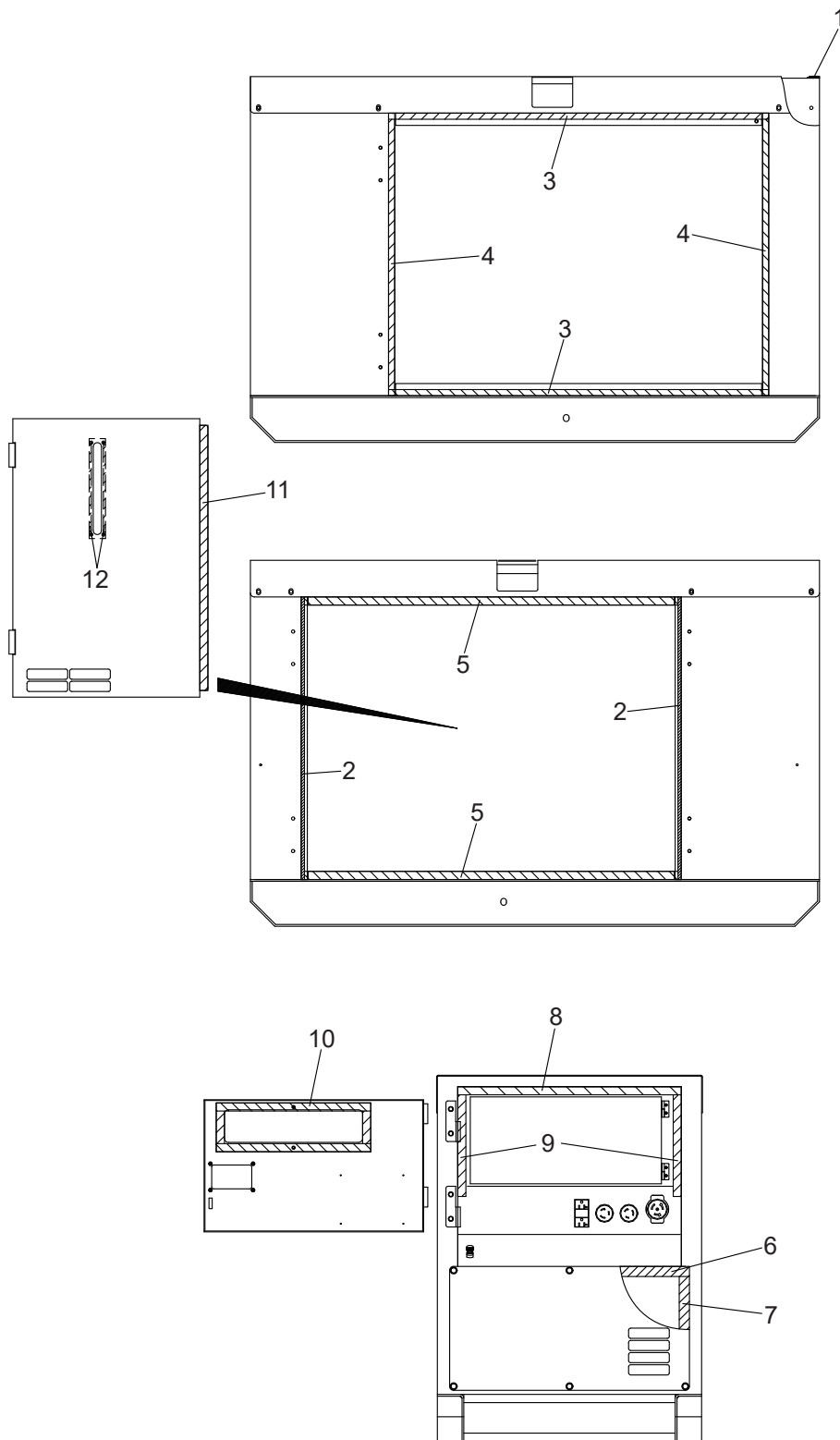


## ENCLOSURE ASSY. (CONT'D.)

---

<u>NO.</u>	<u>PART NO.</u>	<u>PART NAME</u>	<u>QTY.</u>	<u>REMARKS</u>
36	0021806015	MACHINE SCREW	4	
37	0845047204	HINGE	2	
37A	0845045004	WASHER	2	
38	0845047104	HINGE	2	
38A	0845045004	WASHER	2	
39	0016908020	HEX. HEAD BOLT	8	
40	0845031504	CAP	4	
41	B1262800004	PLATE	1	
42	0016906015	HEX. HEAD BOLT	4	
43	0019208020	HEX. HEAD BOLT	1	
44	B0444600804	WINDOW PLATE	1	
45	0027103010	MACHINE SCREW	4	
45A	0207003000	HEX. NUT	4	
46	B1454301004	DUCT	1	
47	0207006000	HEX. NUT	4	
48	0601851613	STOPPER	2	
49	0600500090	EMBLEM	1	
50	0021106015	MACHINE SCREW	2	

# RUBBER SEALS ASSY.

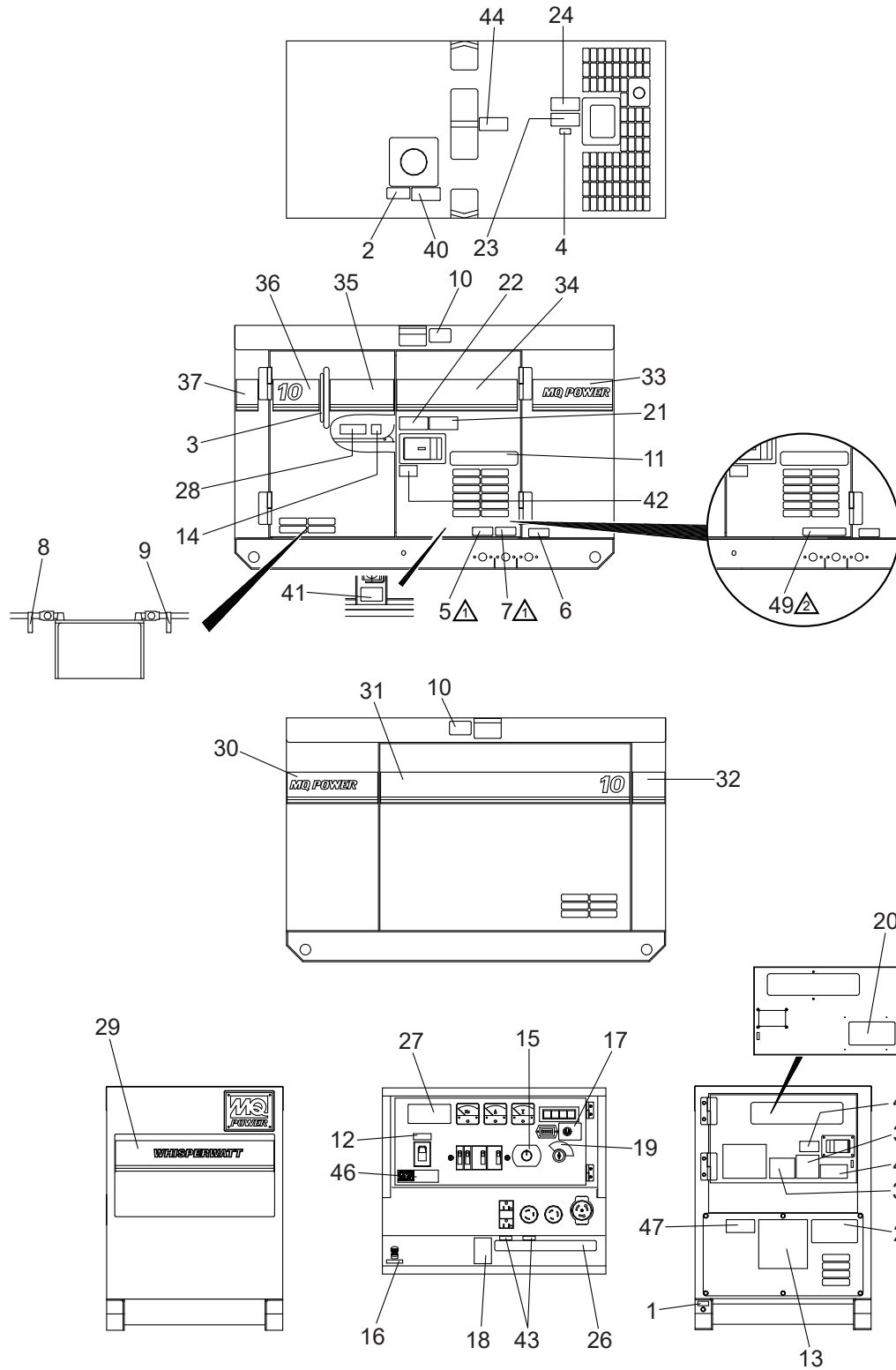


## **RUBBER SEALS ASSY.**

---

<u>NO.</u>	<u>PART NO.</u>	<u>PART NAME</u>	<u>QTY.</u>	<u>REMARKS</u>
1	0229200650	RUBBER SEAL	1	
2	0229400695	RUBBER SEAL	2	
3	0221700900	RUBBER SEAL	2	
4	0221700640	RUBBER SEAL	2	
5	0229400920	RUBBER SEAL	2	
6	0229200590	RUBBER SEAL	2	
7	0229200255	RUBBER SEAL	2	
8	0229400545	RUBBER SEAL	1	
9	0229400250	RUBBER SEAL	2	
10	B0491400404	RUBBER SEAL	1	
11	0229400660	RUBBER SEAL	1	
12	0419100205	RUBBER SEAL	2	

# NAMEPLATE AND DECALS ASSY.



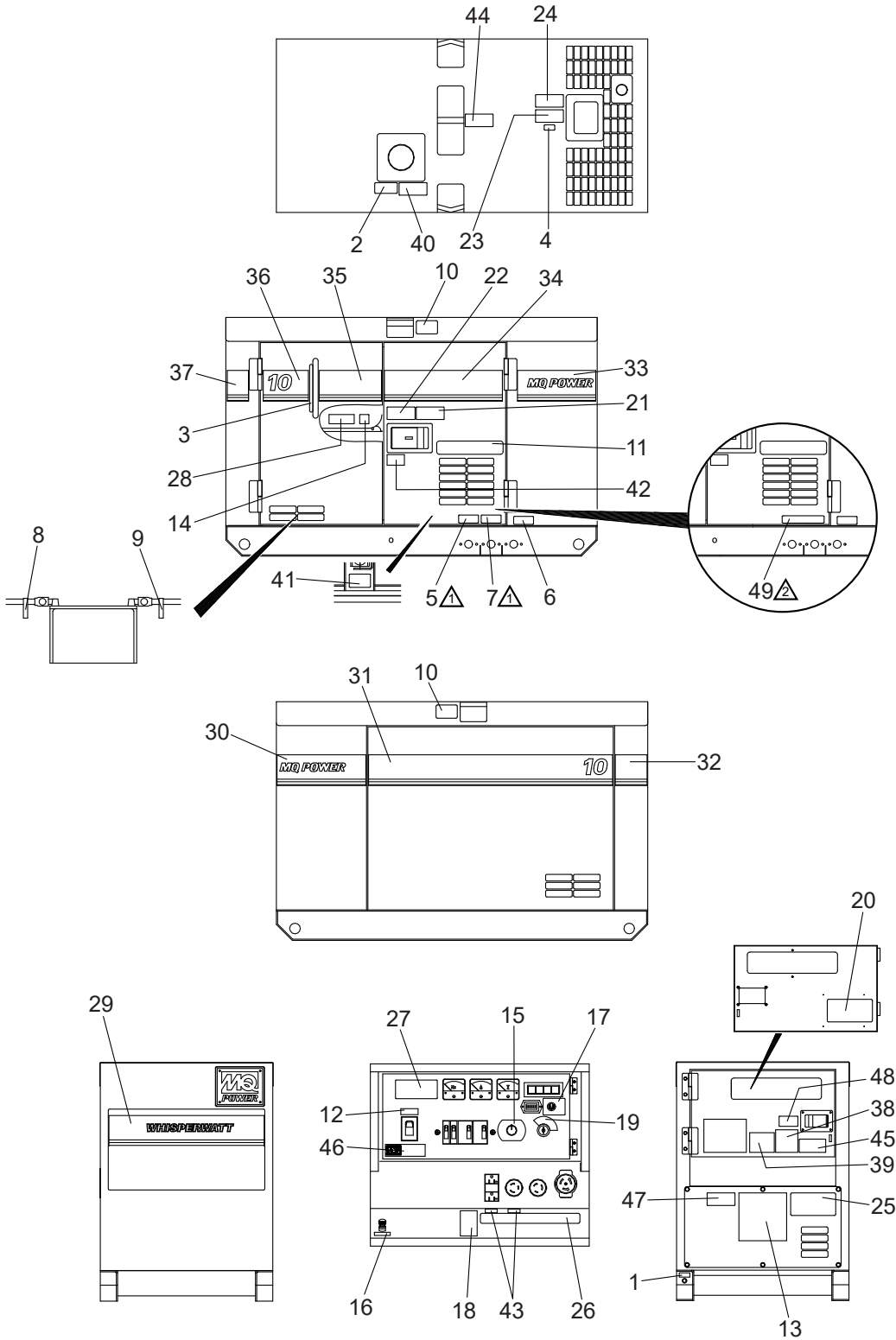
## NOTES:

- ① ITEM 5 AND ITEM 7 IS FOR S/N 3965823 AND BELOW ONLY.
- ② ITEM 49 IS FOR S/N 3965824 AND ABOVE ONLY.

## NAMEPLATE AND DECALS ASSY.

NO.	PART NO.	PART NAME	QTY.	REMARKS
1	0840614104	DECAL: GROUND .....	1	S-2635
2	B9504501204	DECAL: DIESEL FUEL .....	1	B90450121
3	0800650804	DECAL: FUEL GAUGE .....	1	S-1765
4	6360610304	DECAL: WATER .....	1	S-1880
5	6360620004	DECAL: FUEL DRAIN PLUG .....	1	S-1883
				S/N 3965823 AND BELOW
6	6360620104	DECAL: WATER DRAIN PLUG .....	1	S-1884
7	6360620204	DECAL: OIL DRAIN PLUG .....	1	S-1885
				S/N 3965823 AND BELOW
8	0800689404	DECAL: + .....	1	S-2090
9	0800689504	DECAL: - .....	1	S-2091
10	1320621504	DECAL: SUPPORT HOOK .....	2	S-2257
11	1320610603	DECAL: WATER/OIL CHECK AND FILL DAILY .....	1	S-1760
12	0840624504	DECAL: CIRCUIT BREAKER .....	1	S-3031
13	0840625902	DECAL: MQ POWER .....	1	S-3057
14	1980680004	DECAL: FUEL COCK .....	1	S-3704
15	7670623004	DECAL: VOLTAGE REGULATOR .....	1	S-3737
				S/N 3965823 AND BELOW
15	B9521054004	DECAL: VOLTAGE REGULATOR .....	1	B92105400
				S/N 3965824 AND ABOVE
16	7670624004	DECAL: GROUND FOR G.F.C.I. ....	1	S-3821
17	M9501400014	DECAL: SPEED CONTROL SWITCH .....	1	M90140001
18	7670650004	DECAL: DANGER HIGH VOLTAGE .....	1	S-3956
19	7560615004	DECAL: STARTER SWITCH .....	1	S-4547
20	B0551001803	DECAL: OPERATING PROCEDURE .....	1	B05100180
21	B9504000304	DECAL: CAUTION HOT PARTS .....	1	B90400030
22	B9504000404	DECAL: WARNING MOVING PARTS .....	1	B90400040
23	B9504100104	DECAL: WARNING HOT COOLANT .....	1	B90410010
24	B9504200004	DECAL: WARNING ENGINE EXHAUST .....	1	B90420000
25	B9511100304	DECAL: WARNING .....	1	B91110030
26	B9521007403	DECAL: AC POWER OUTPUT .....	1	B92100740
27	B9531100604	DECAL: WARNING ELEC. SHOCK HAZARD ...	1	B93110060
28	0820650604	DECAL: POISON / DANGER	1	
29	7670633003	STRIPE: WHISPERWATT .....	1	S-5273
				B06210000
30	B0562100004	STRIPE: MQ POWER	1	
31	B0561100004	STRIPE	1	
32	B0561100104	STRIPE	1	
33	B0561100604	STRIPE	1	
34	B0561100504	STRIPE	1	
35	B0561100404	STRIPE	1	
36	B0561100304	STRIPE	1	
37	B0561100204	STRIPE	1	
38	A9504000014	DECAL: DANGER .....	1	A90400001
39	D9531100004	DECAL: GROUND .....	1	D93110000
40	B9504500004	DECAL: WARNING FIRE .....	1	B90450000

# NAMEPLATE AND DECALS ASSY. (CONT'D.)



**NOTES:**

- 1 ITEM 5 AND ITEM 7 IS FOR S/N 3965823 AND BELOW ONLY.
- 2 ITEM 49 IS FOR S/N 3965824 AND ABOVE ONLY.

## NAMEPLATE AND DECALS ASSY. (CONT'D.)

<u>NO.</u>	<u>PART NO.</u>	<u>PART NAME</u>	<u>QTY.</u>	<u>REMARKS</u>
41	B9505000304	DECAL: CAUTION .....	1.....	B90500030
42	1630610504	DECAL: CAUTION DOOR .....	1.....	S-1409
43	D9522001004	DECAL: GFCI.....	2.....	D92200100
44	B9504000804	DECAL: CAPACITY OF LIFTING.....	1.....	B90400080
45	M9504200004	DECAL: WARNING START FIRES .....	1.....	M90420000
46	M0561000004	DECAL: MQ STICKER CONTROL PANEL.....	1.....	M06100000
47	M9511200103	DECAL: TIER 4F .....	1.....	M91120010
48	A9511101304	DECAL: WARNING PROPOSITION 65 .....	1.....	A91110130
49	B9541001704	DECAL: FUEL - OIL DRAIN PLUG.....	1.....	B94100170
				S/N 3965824 AND ABOVE