

OPERATION AND PARTS MANUAL

STOW

A DIVISION OF MULTIQUIP INC.

**CMS-6S
CONCRETE MIXER**

Revision #6 (12/22/06)

STOW CMS-6S CONCRETE MIXER — TABLE OF CONTENTS

STOW CMS-6S Concrete Mixer

| | |
|---|-------|
| Here's How To Get Help | 3 |
| Table Of Contents | 4 |
| Parts Ordering Procedures | 5 |
| Specifications | 6 |
| Dimensions (Mixer) | 7 |
| Safety Message Alert Symbols | 8 |
| Rules For Safe Operation | 9-10 |
| Operation and Safety Decals | 11 |
| General Information | 12 |
| Mixer Basic Components | 13 |
| Basic Engine Components | 14 |
| Handwheel Assembly | 15 |
| Towing Guidelines | 16 |
| Safety Chain Connection | 17 |
| Electric Motor | 18-19 |
| Pre-Inspection (Gasoline Engine) | 20 |
| Initial Start-up (Gasoline Engine) | 21 |
| Initial Start-up (Electric Motor) | 22 |
| Operation | 23 |
| Maintenance (Engine) | 24-25 |
| Maintenance (Mixer) | 26-28 |
| Troubleshooting (Engine) | 30 |
| Troubleshooting (Engine/Mixer) | 31 |
| Explanation Of Code In Remarks Column | 32 |
| Suggested Spare Parts | 33 |

Component Drawings

| | |
|--|-------|
| Nameplate and Decals | 34-35 |
| Mixer Assembly (Steel Drum) | 36-37 |
| Main Frame Assembly | 38-39 |
| Axle Assembly | 40-41 |
| Cabinet Assembly | 42-43 |
| Gas Engine Mounting Plate Asassembly | 44-45 |
| Electric Motor Mounting Plate Asassembly | 46-47 |

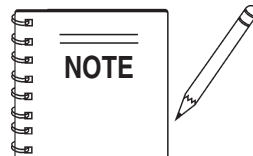
HONDA GX240K1HA2 ENGINE

| | |
|--------------------------------|-------|
| Air Cleaner Assembly | 48-49 |
| Camshaft Assembly | 50-51 |
| Carburetor Assembly | 52-53 |
| Control Assembly | 54-55 |
| Crankcase Cover Assembly | 56-57 |
| Crankshaft Assembly | 58-59 |
| Cylinder Barrel Assembly | 60-61 |
| Cylinder Head Assembly | 62-63 |
| Fan Cover Assembly | 64-65 |
| Flywheel Assembly | 66-67 |
| Muffler Assembly | 68-69 |
| Fuel Tank Assembly | 70-71 |
| Ignition Coil | 72-73 |
| Piston Assembly | 74-75 |
| Recoil Starter | 76-77 |
| Gear Reduction Assembly | 78-79 |
| Label Assembly | 80-81 |

HONDA GX160K1H X2 ENGINE

| | |
|-----------------------------------|---------|
| Air Cleaner Assy. | 82-83 |
| Camshaft Assy. | 84-85 |
| Carburetor Assy. | 86-87 |
| Control Assy. | 88-89 |
| Crankcase Cover Assy. | 90-91 |
| Crankshaft Assy. | 92-93 |
| Cylinder Barrel Assy. | 94-95 |
| Cylinder Head Assy. | 96-97 |
| Fan Cover Assy. | 98-99 |
| Flywheel Assy. | 100-101 |
| Fuel Tank Asssembly | 102-103 |
| Ignition Coil Asssembly | 104-105 |
| Muffler Asssembly | 106-107 |
| Piston Rings Asssembly | 108-109 |
| Recoil Starter Asssembly | 110-111 |
| 1/6 Gear Reduction Asssembly | 112-113 |
| Labels Asssembly | 114-115 |

| | |
|------------------------------------|-----|
| Terms and Conditions of Sale | 116 |
|------------------------------------|-----|



Specification and part number are subject to change without notice.

STOW CMS-6S CONCRETE MIXER — OPERATION AND SAFETY DECALS

Machine Safety Decals

The STOW CMS-6S mixer is equipped with a number of safety decals (Figure 1A). These decals are provided for operator safety and maintenance information. The illustration below and on the next page shows these decals as they appear on the machine. Should any of these decals become unreadable, replacements can be obtained from your dealer.



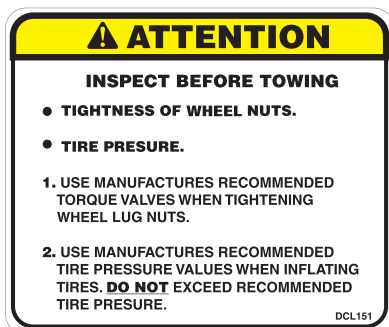
P/N: 13118



CONTACT MQ PARTS
DEPARTMENT

STOW
A DIVISION OF MULTIQUIP INC.

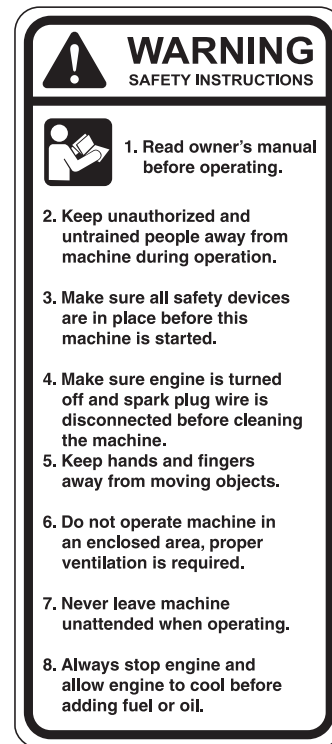
P/N: 510164



P/N: DCL151



P/N: CIPDCL160



P/N: 504713



P/N: 35137



P/N: EM948630

Figure 1A. STOW CMS-6S Mixer Decals

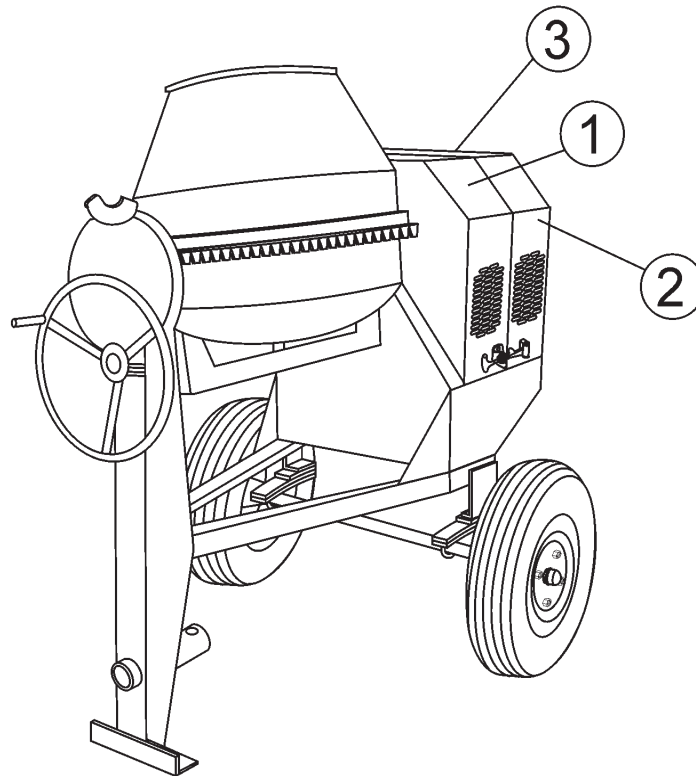
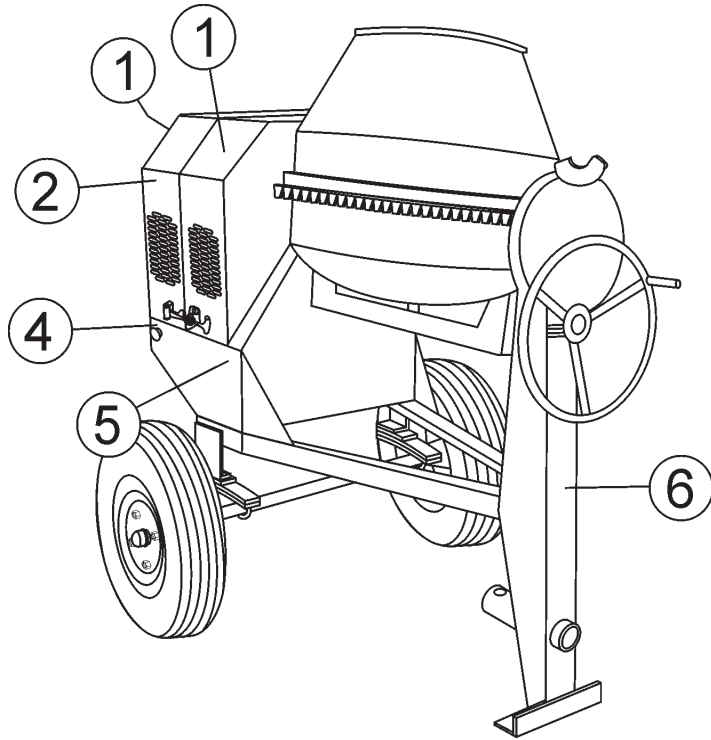
STOW CMS-6S CONCRETE MIXER — SUGGESTED SPARE PARTS

STOW CMS-6S CONCRETE MIXER 1 TO 4 UNITS WITH HONDA GX160K1HX2, GX240K1HA2 AND ROBIN EH25- 2YR000

| <u>Qty.</u> | <u>P/N</u> | <u>Description</u> |
|-------------|-------------|------------------------------|
| 2 | 503859 | V-BELT w/GAS ENGINE |
| 2 | EM900267 | V-BELT w/ELECTRIC MOTOR |
| 1 | EM940734 | STOP BUTTON w/GAS ENGINE |
| 2 | 491010 | LATCH SET |
| 1 | 505390 | EXPANSION PLUG |
| 2 | EM903026 | SPINDLE BEARING CUP |
| 2 | EM903063 | SPINDLE BEARING CONES |
| 1 | EM505472 | SPACER, DRUM |
| 2 | 492179 | BEARING JACKSHAFT |
| 2 | EM914288 | SEAL, AXLE |
| 2 | EM903012 | BEARING CUP |
| 2 | EM903049 | BEARING CONE, 7/8" SPINDLE |
| 2 | EM903113 | BEARING CONE, 1-1/16 SPINDLE |
| 2 | 3469 | DUST CAP, AXLE |
| 4 | 17210ZE1517 | ELEMENT, AIR HONDA GX160 |
| 4 | 17210ZE2515 | ELEMENT, AIR HONDA GX240 |
| 4 | 2703261008 | ELEMENT, AIR ROBIN EH-25 |
| 4 | 9807956846 | SPARK PLUG HONDA |
| 4 | 0650140150 | SPARK PLUG ROBIN |
| 1 | 17620ZH7023 | CAP, FUEL TANK-HONDA |
| 1 | 0430430015 | CAP, FUEL TANK-ROBIN |
| 1 | 28462ZH8003 | ROPE, RECOIL-HONDA GX160 |
| 1 | 28462ZE2W11 | ROPE, RECOIL-HONDA GX240 |
| 1 | 2703261008 | ROPE, RECOIL-ROBIN EH-25 |

STOW CMS-6S CONCRETE MIXER — NAME PLATE AND DECALS

NAME PLATE AND DECALS



STOW CMS-6S CONCRETE MIXER— NAME PLATE AND DECALS

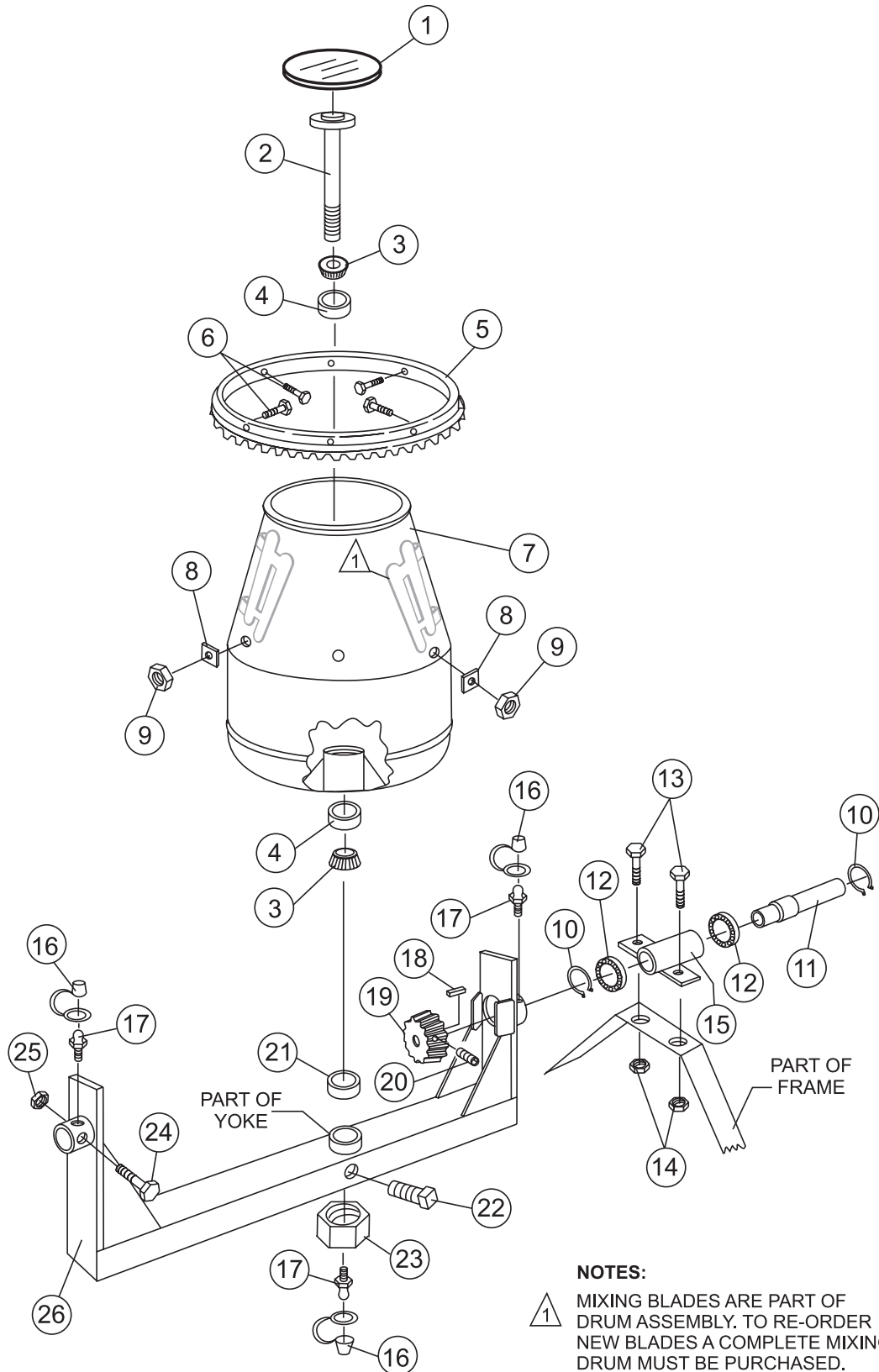
NAME PLATE AND DECALS

| <u>NO</u> | <u>PART NO</u> | <u>PART NAME</u> | <u>QTY.</u> | <u>REMARKS</u> |
|-----------|----------------|----------------------------|-------------|---|
| 1 | 510164 | DECAL, STOW LOGO | 3 | |
| 2 | CIPDCL160 | DECAL, CRUSH WARNING | 2 | |
| 3 | 504713 | DECAL, SAFETY INSTRUCTIONS | 1 | |
| 4 | EM948630 | DECAL, EMERGENCY STOP | 1 | |
| 5 | DCL151 | DECAL, TOWING INSTRUCTIONS | 1 | |
| 6 | 13118 | DECAL, POWDER COATED | 1 | |
| 7 | | NAMEPLATE | 1 | CONTACT PARTS DEPARTMENT |

SEE OPERATION AND SAFETY DECALS PAGE.

STOW CMS-6S — STEEL BARREL

STEEL BARREL ASSY.



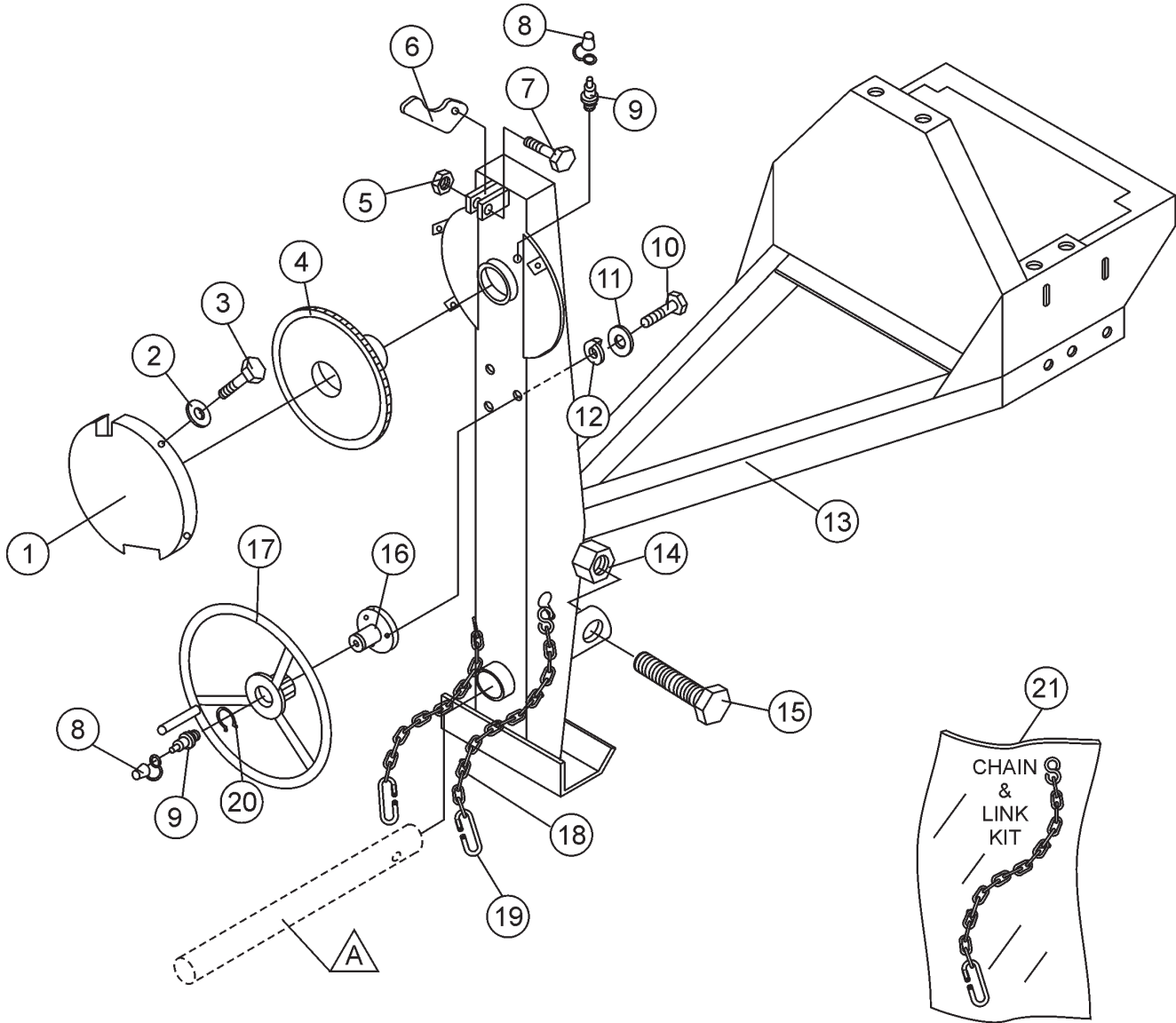
STOW CMS-6S — STEEL BARREL

STEEL BARREL ASSY.

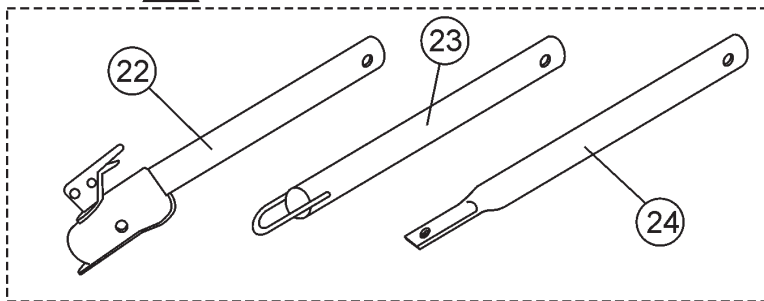
| <u>NO</u> | <u>PART NO</u> | <u>PART NAME</u> | <u>QTY.</u> | <u>REMARK</u> |
|-----------|----------------|---------------------------------|-------------|-----------------|
| 1 | 505390 | PLUG, EXPANSION | 1 | |
| 2 | 505469 | KING PIN | 1 | |
| 3 | EM903063 | SPINDLE BEARING 5/8" CONE | 2 | REPLACES 492154 |
| 4 | EM903026 | SPINDLE BEARING CUP | 2 | REPLACES 492233 |
| 5 | 504095Y | RING GEAR | 1 | |
| 6 | EM963610 | BOLT 3/8" NC 1-1/4" G5 | 6 | |
| 7 | 505487Y | BARREL, STEEL 6 CU. FT. | 1 | |
| 8 | 511732 | SHIM 0.25 THICK | AR | |
| 8 | 511731 | SHIM .187 THICK | AR | |
| 8 | 511729 | SHIM .140 THICK | AR | |
| 9 | EM969013 | NUT, LOCK 3/8" NC | 6 | |
| 10 | 490958 | RING, RETENTION | 2 | |
| 11 | 502037 | DRIVE PINION SHAFT | 1 | |
| 12 | 492179 | PINION SHAFT BEARING | 2 | |
| 13 | EM963692 | BOLT 1/2" NC X 1-1/2" G5 | 2 | |
| 14 | 492584 | LOCKNUT, HEX 1/2" NC | 2 | |
| 15 | 502036Y | HOUSING JACKSHAFT | 1 | |
| 16 | 491008 | CAP, GREASE FITTING | 3 | |
| 17 | EM916001 | GREASE FITTING 1/8" NPT | 3 | REPLACES 491698 |
| 18 | 500214 | SQUARE KEY 1/4" X 30 MM | 1 | |
| 19 | 501829 | DRIVE PINION | 1 | |
| 20 | 492467 | ALLEN SCREW 5/16 NC 3/8" | 1 | |
| 21 | EM505472 | SPACER, BARREL | 1 | |
| 22 | 492490 | SET SCREW 1/2" X 1" NC | 1 | |
| 23 | EM968306 | NUT, HEX LOWER 1-1/2" NF | 1 | REPLACES 492579 |
| 24 | EM963102 | BOLT 1/2" NC X 1-1/4" NC | 1 | |
| 25 | 492584 | LOCKNUT, HEX 1/2" NC | 1 | |
| 26 | 507539Y | YOKE | 1 | |

STOW CMS-6S — MAIN FRAME ASSEMBLY

MAIN FRAME ASSY.



A OPTIONAL TOW BARS



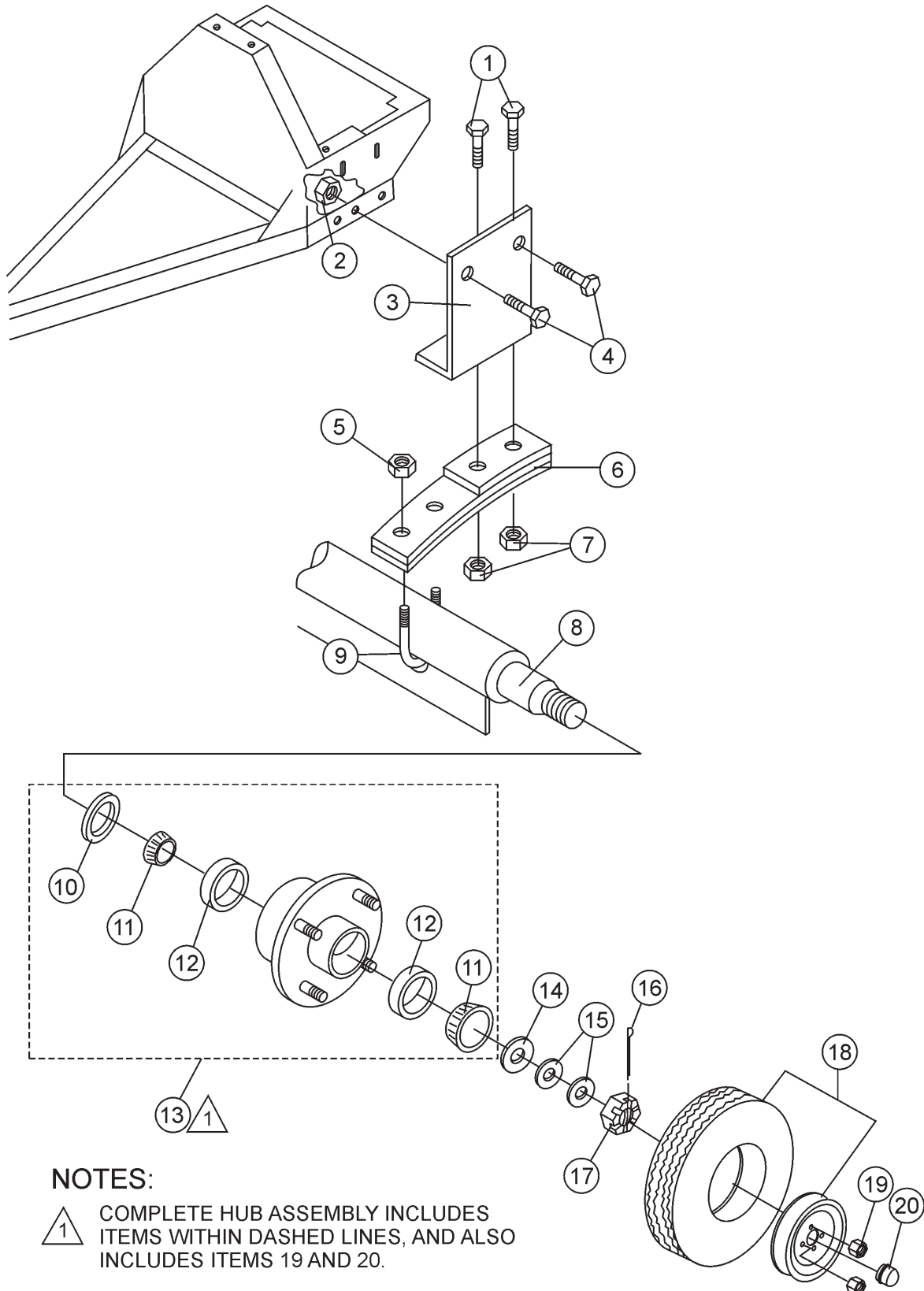
STOW CMS-6S — MAIN FRAME ASSEMBLY

MAIN FRAME ASSY.

| <u>NO</u> | <u>PART NO</u> | <u>PART NAME</u> | <u>QTY.</u> | <u>REMARK</u> |
|-----------|----------------|---------------------------------------|-------------|--------------------|
| 1 | 501844Y | GUARD, GEAR WHEEL | 1 | |
| 2 | 2101402 | WASHER, LOCK 1/4" | 4 | |
| 3 | 492284 | ROUND HEAD BOLT 1/4" NC 3/8 G2" | 4..... | REPLACES 492279 |
| 4 | 502035 | DUMP GEAR | 1 | |
| 5 | 492584 | NUT, LOCK 1/2" NC | 1 | |
| 6 | 490895Y | DUMP LATCH | 1 | |
| 7 | 492395 | BOLT 1/2" NC X 1-3/4" G5 | 1 | |
| 8 | EM916001 | GREASE FITTING 1/8" NPT | 2..... | REPLACES 491698 |
| 9 | 491008 | GREASE CAP | 2 | |
| 10 | EM963055 | BOLT 3/8" NC X 3/4" G5 | 3 | |
| 11 | 3109092 | WASHER, FLAT 3/8" | 3 | |
| 12 | 0166 A | WASHER, LOCK 3/8" | 3 | |
| 13 | 502451Y | FRAME | 1 | |
| 14 | EM124 | BOLT 1/2"-13 X 4 G5 | 1 | |
| 15 | 10176 | LOCK NUT 1/2 NC | 1..... | REPLACES 492586 |
| 16 | 500167 | HANDWHEEL SHAFT | 1 | |
| 17 | 501905Y | HANDWHEEL | 1 | |
| 18* | | SAFETY CHAIN | 1..... | REPLACES 13363 |
| 19* | 01004 | CONNECTOR LINK | 2 | |
| 20 | 490961 | RING RETAINING | 1 | |
| 21 | 13363KIT | CHAIN AND LINK KIT | 1..... | INCLUDES ITEMS W/* |
| 22 | HBC-1 | BALL HITCH 2-INCH | 1..... | CONTACT UNIT SALES |
| 23 | HLC-1 | LOOP HITCH | 1..... | CONTACT UNIT SALES |
| 24 | HPC-1 | PIN HITCH 1-INCH | 1..... | CONTACT UNIT SALES |

STOW CMS-6S — AXLE ASSEMBLY

AXLE ASSY.



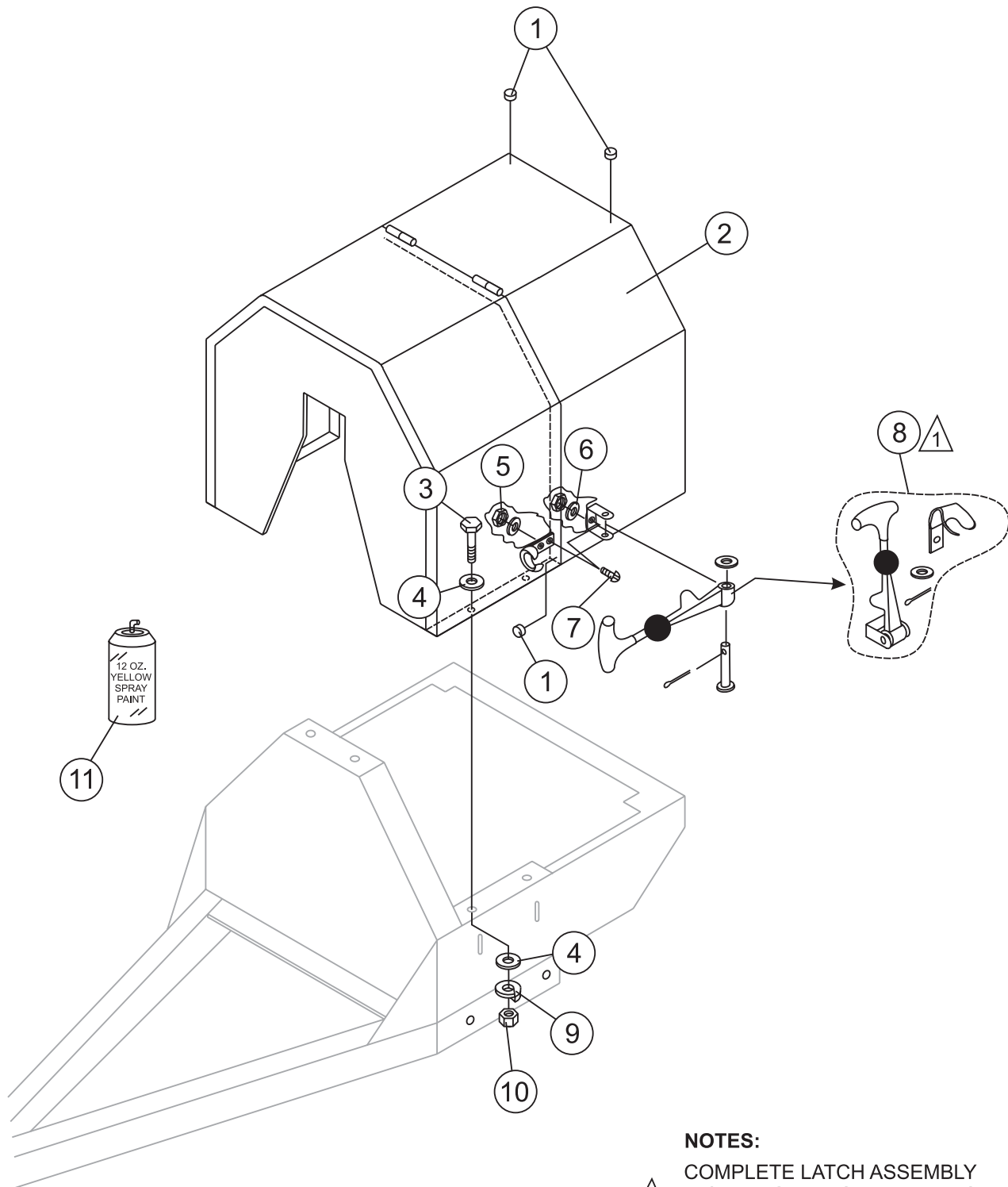
STOW CMS-6S — AXLE ASSEMBLY

AXLE ASSY.

| <u>NO</u> | <u>PART NO</u> | <u>PART NAME</u> | <u>QTY.</u> | <u>REMARK</u> |
|-----------|----------------|---|-------------|---------------------------------------|
| 1 | 492397 | BOLT 1/2" NC 2-1/2" G5 | 4 | |
| 2 | EM969023 | LOCK NUT 5/8" NC | 4 | |
| 3 | 501030 | SPRING SUPPORT | 2 | |
| 4 | 492406 | BOLT 5/8" NC 1-1/2" G5 | 4 | |
| 5 | 492589 | NUT 1/2" NF | 4 | |
| 6 | 491928 | SPRING LEAF | 2 | |
| 7 | 492584 | NUT, HEX 1/2" | 4 | |
| 8 | 511336Y | AXLE 1-1/16" SPINDLE | 1 | |
| 8 | 502039Y | AXLE 7/8" SPINDLE | 1 | |
| 9 | 500617 | U-CLAMP | 2 | |
| 10*# | EM914288 | OIL SEAL | 2 | |
| 11* | EM903049 | BEARING CONE, (7/8" SPINDLE) | 4 | |
| 11# | EM903113 | BEARING CONE, (1-1/16" SPINDLE) | 4 | |
| 12*# | EM903012 | BEARING CUP | 4 | |
| 13 | 3504 | HUB ASSY., 4-BOLT (7/8" SPINDLE) | 2 | INCLUDES ITEMS W/* REPLACES 493235 |
| 13 | EM941306 | HUB ASSY., 4-BOLT (1-1/16" SPINDLE) | 2 | INCLUDES ITEMS W/# |
| 14 | EM511159 | WASHER, FLAT, .087" THICKNESS | 2 | |
| 15 | 501299 | WASHER, FLAT, .135" THICKNESS | AR | |
| 16 | 491688 | COTTER PIN 1/8" X 1-1/2' | 2 | |
| 17 | 12426 | NUT, SLOTTED HEX JAM (7/8" SPINDLE) | 2 | REPLACES 3068 |
| 17 | 8164 | NUT, SLOTTED HEX JAM (1-1/16" SPINDLE) | 2 | |
| 18 | 3005 | TIRE AND RIM, CARLISE | 2 | |
| 18 | 493236C | TIRE AND RIM, UNIROYAL | 2 | |
| 19*# | 8115 | LUG NUTS | 8 | |
| 20*# | 3469 | DUST CAP | 2 | |

STOW CMS-6S — CABINET ASSEMBLY

CABINET ASSY.



NOTES:



COMPLETE LATCH ASSEMBLY
INCLUDES ITEMS WITHIN DASHED
LINES. ITEMS CANNOT BE PURCHASED
SEPARATELY.

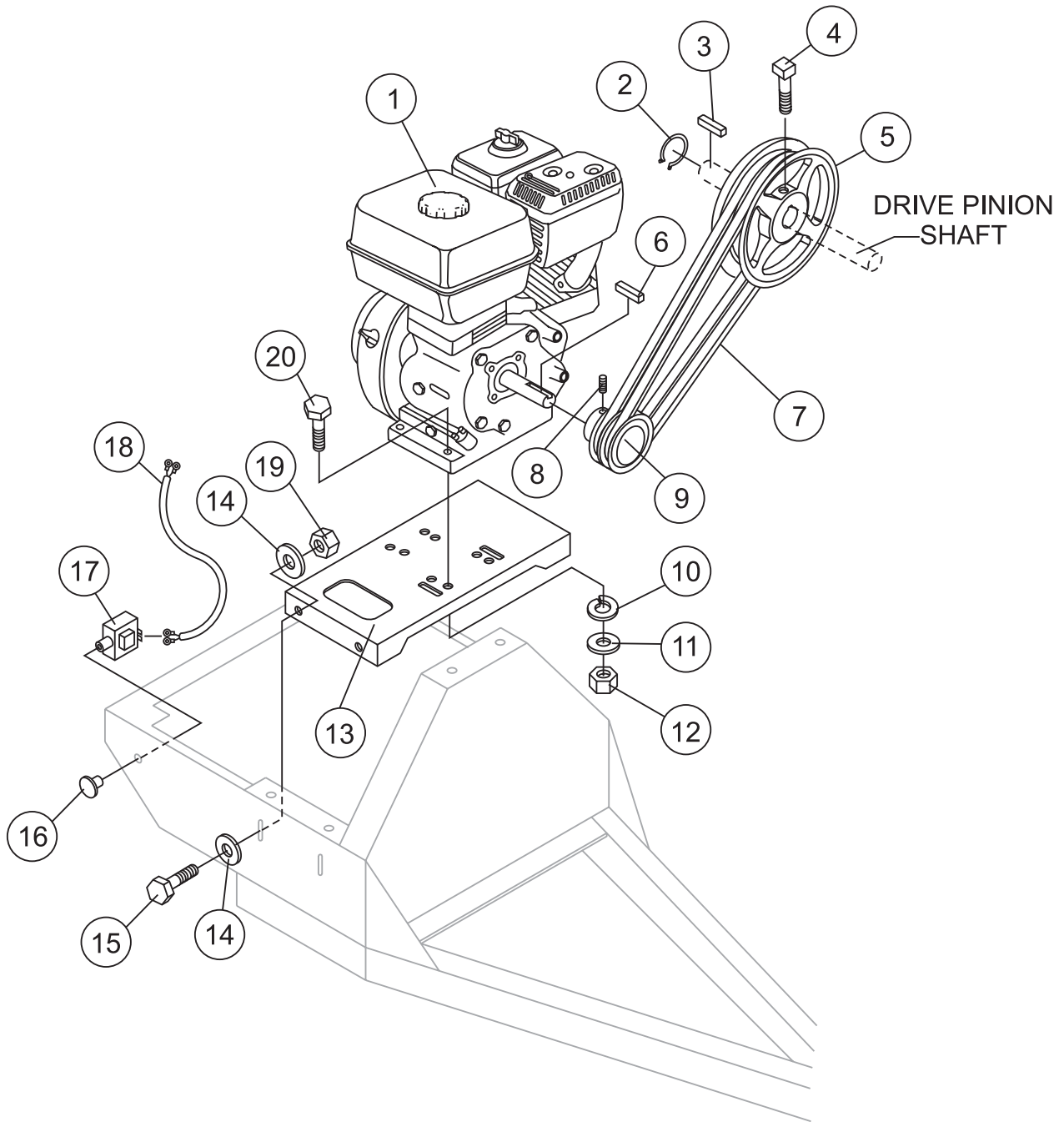
STOW CMS-6S — CABINET ASSEMBLY

CABINET ASSY.

| <u>NO</u> | <u>PART NO</u> | <u>PART NAME</u> | <u>QTY.</u> | <u>REMARKS</u> |
|-----------|----------------|---------------------------------|-------------|-----------------------|
| 1 | 490202 | RUBBER PROTECTOR | 4 | |
| 2 | 502454Y | CABINET, ENGINE ASSY. | 1 | |
| 3 | 492363 | BOLT 5/16" NC X 3/4" G5 | 4 | |
| 4 | EM923023 | WASHER, FLAT 5/16" | 8 | |
| 5 | 13287 | LOCK NUT 8-32 | 6 | REPLACEMENT PART ONLY |
| 6 | 2203 | WASHER, FLAT #10 | 6 | REPLACEMENT PART ONLY |
| 7 | 1307 | RHMS 8-32 X 1/2" | 6 | REPLACEMENT PART ONLY |
| 8 | 491010 | LATCH ASSY., COMPLETE | 2 | |
| 9 | EM923343 | WASHER, LOCK 5/16" | 4 | |
| 10 | 2105164 | NUT 5/16" NC G5 | 4 | |
| 11 | RAL1003S | PAINT, SPRAY CAN 12 OZ., YELLOW | AR | |
| 12 | RAL1003G | PAINT, GALLON CAN, YELLOW | AR | |

STOW CMS-6S — GAS ENGINE MOUNTING PLATE ASSEMBLY

GAS ENGINE MOUNTING PLATE ASSY.



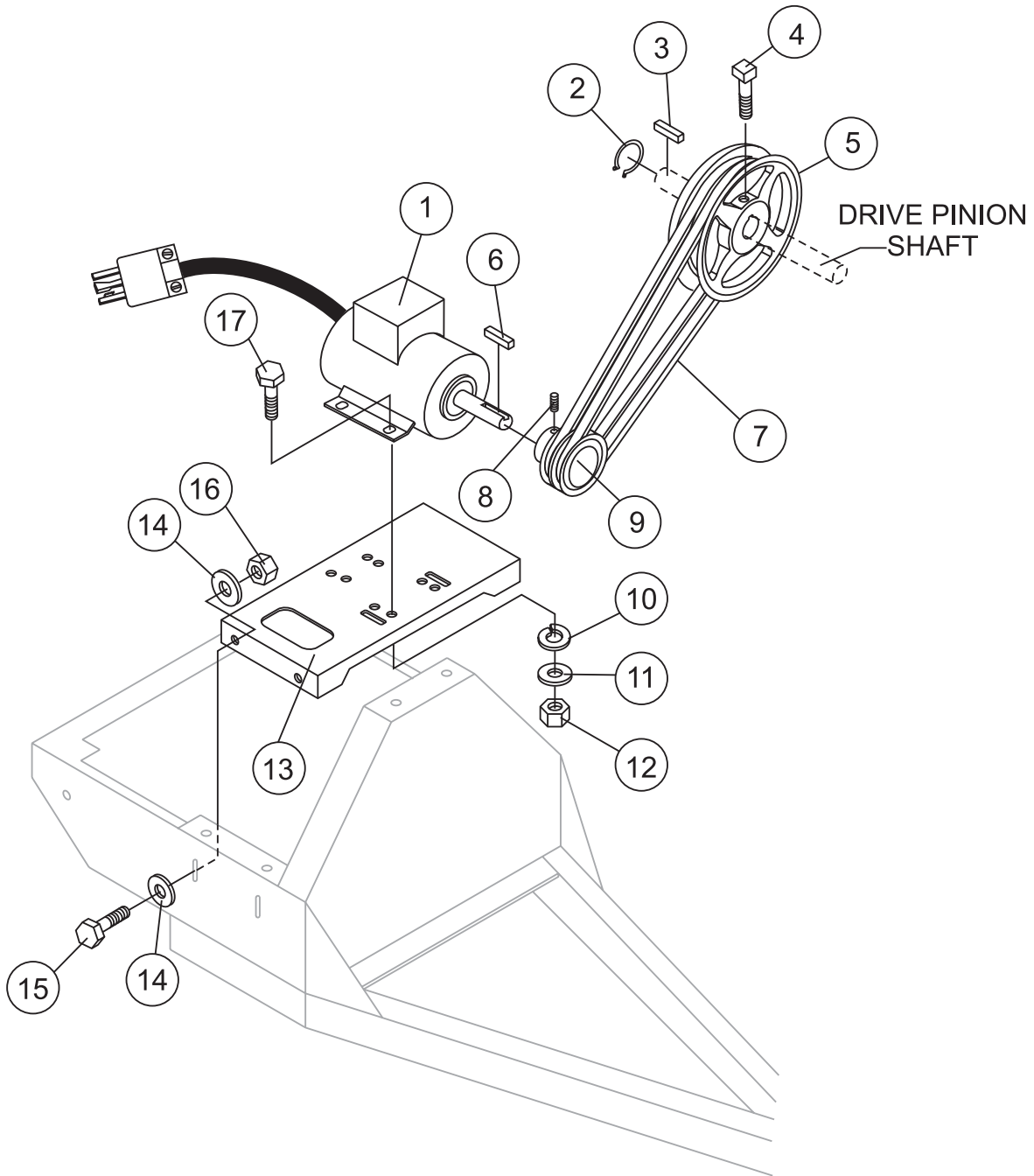
STOW CMS-6S — GAS ENGINE MOUNTING PLATE ASSEMBLY

GAS ENGINE MOUNTING PLATE ASSY.

| <u>NO</u> | <u>PART NO</u> | <u>PART NAME</u> | <u>QTY.</u> | <u>REMARKS</u> |
|-----------|----------------|-----------------------------|-------------|-----------------|
| 1 | GX160K1HX2 | ENGINE, HONDA 5.5 HP | 1 | |
| 1 | GX240K1HA2 | ENGINE, HONDA 8.0 HP | 1 | |
| 1 | EH252YR000 | ENGINE, ROBIN 8.5 HP | 1 | |
| 2 | 490956 | RING, RETAINING | 1 | |
| 3 | 500275 | SQUARE KEY | 1 | |
| 4 | 492468 | SET SCREW 5/16" NC X 3/4" | 1 | |
| 5 | 492056 | UPPER PULLEY | 1 | |
| 6 | 501019 | SQUARE KEY 3/16" X 45 MM | 1 | |
| 7 | 503859 | V-BELT A-38 | 2 | |
| 8 | 492468 | ALLEN SCREW 5/16" NC X 1/2" | 1 | |
| 9 | 492074 | DRIVE PULLEY 5.5 HP HONDA | 1 | |
| 9 | 503869 | DRIVE PULLEY 8.0 HP HONDA | 1 | |
| 9 | 503869 | DRIVE PULLEY 8.5 HP ROBIN | 1 | |
| 10 | EM923343 | WASHER, LOCK 5/16" | 4 | |
| 11 | EM923023 | WASHER, FLAT 5/16" | 4 | |
| 12 | 2105164 | NUT, HEX 5/16 X18 NC G5 | 4 | |
| 13 | 502041 | BASE PLATE ENGINE | 1 | |
| 14 | 492600 | WASHER, FLAT 1/2" | 8 | |
| 15 | EM963692 | BOLT, HEX 1/2" NC 1-1/2" G5 | 4 | |
| 16 | 29174-001 | BUTTON, STOP | 1 | |
| 17 | EM940734 | SWITCH, STOP | 1 | REPLACES 491845 |
| 18 | 510573 | ENGINE CABLE HARNESS | 1 | |
| 19 | 492584 | LOCKNUT 1/2" | 4 | |
| 20 | 492367 | BOLT 5/16" X 1-3/4" G5 | 4 | |

STOW CMS-6S — ELECTRIC MOTOR MOUNTING PLATE ASSEMBLY

ELECTRIC MOTOR MOUNTING PLATE ASSY.



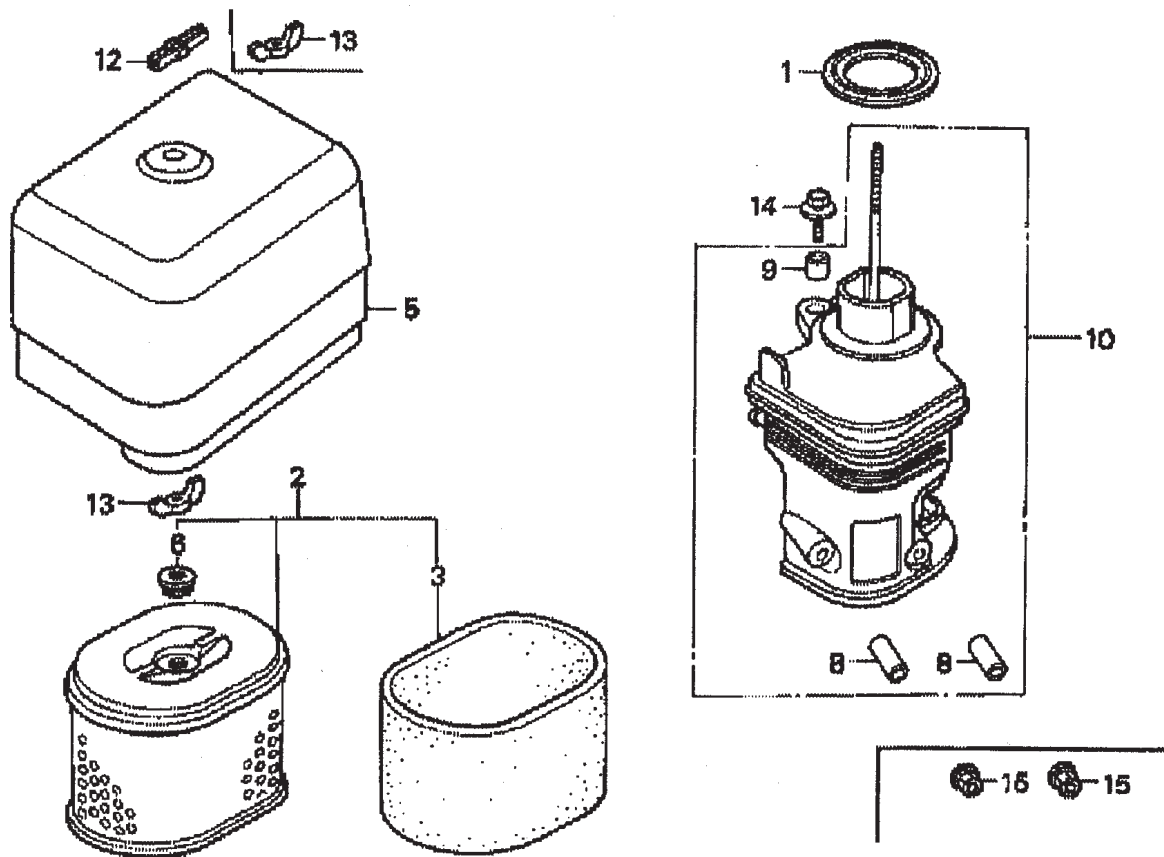
STOW CMS-6S — ELECTRIC MOTOR MOUNTING PLATE ASSEMBLY

ELECTRIC MOTOR MOUNTING PLATE ASSY.

| <u>NO</u> | <u>PART NO</u> | <u>PART NAME</u> | <u>QTY.</u> | <u>REMARKS</u> |
|-----------|----------------|-----------------------------|-------------|----------------|
| 1 | P145K17DB45A | MOTOR, ELECTRIC 1.5 HP | 1 | |
| 2 | 490956 | RING, RETAINING | 1 | |
| 3 | 500275 | SQUARE KEY | 1 | |
| 4 | 492468 | SET SCREW 5/16" NC X 3/4" | 1 | |
| 5 | 502211 | UPPER PULLEY (LARGE) | 1 | |
| 6 | 501019 | SQUARE KEY 3/16" X 45 MM | 1 | |
| 7 | EM900267 | V-BELT A45 | 2 | |
| 8 | 492468 | ALLEN SCREW 5/16" NC X 1/2" | 1 | |
| 9 | 502213 | DRIVE PULLEY (SMALL) | 1 | |
| 10 | EM923343 | WASHER, LOCK 5/16" | 4 | |
| 11 | EM923023 | WASHER, FLAT 5/16" | 4 | |
| 12 | 2105164 | NUT, HEX 5/16 X18 NC G5 | 4 | |
| 13 | 502041 | BASE PLATE ENGINE | 1 | |
| 14 | 492600 | WASHER, FLAT 1/2" | 8 | |
| 15 | EM963692 | BOLT, HEX 1/2" NC 1-1/2" G5 | 4 | |
| 16 | 4922584 | LOCKNUT 1/2" | 4 | |
| 17 | 0202 | BOLT 5/16" X 1" G5 | 4 | |

HONDA GX240K1HA2 ENGINE — AIR CLEANER ASSY.

AIR CLEANER ASSY.



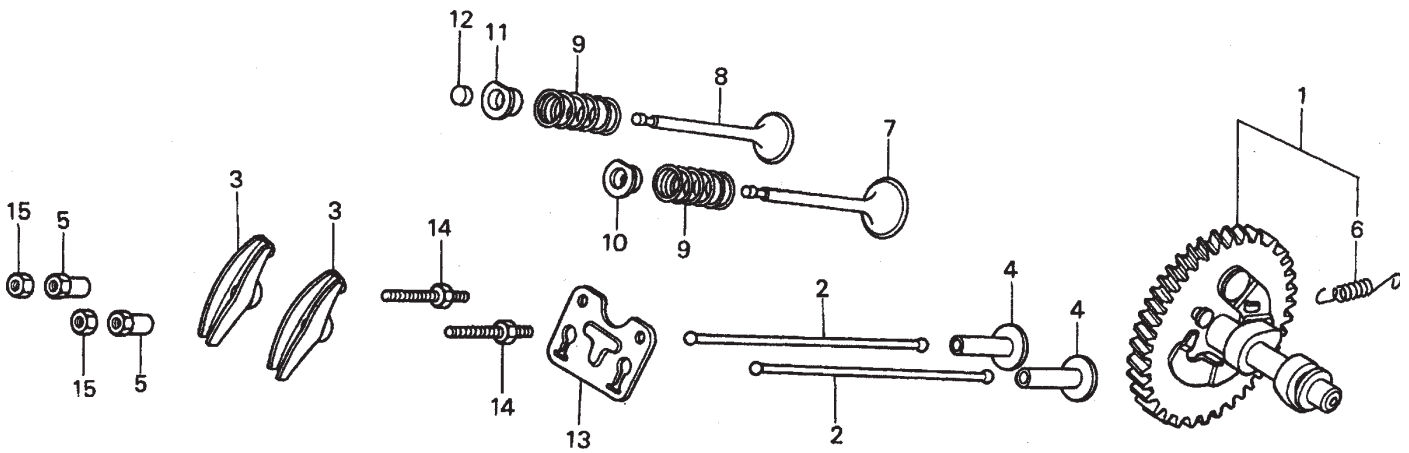
HONDA GX240K1HA2 ENGINE — AIR CLEANER ASSY.

AIR CLEANER ASSY.

| <u>NO.</u> | <u>PART NO.</u> | <u>PART NAME</u> | <u>QTY.</u> | <u>REMARKS</u> |
|------------|-----------------|--------------------------------|-------------|-------------------|
| 1 | 16271ZE2000 | GASKET, ELBOW | 1 | INCLUDES ITEM W/* |
| 2 | 17210ZE2515 | ELEMENT, AIR CLEANER, DUAL | 1 | |
| 3 * | 17218ZE2505 | FILTER, OUTER | 1 | |
| 5 | 17231ZH9820 | COVER, AIR CLEANER | 1 | |
| 6 | 17232891000 | GROMMET, AIR CLEANER | 1 | |
| 8 # | 17238ZE2310 | COLLAR, AIR CLEANER | 2 | |
| 9 # | 17239ZE1000 | COLLAR B, AIR CLEANER | 1 | |
| 10 | 17410ZE2020 | ELBOW COMP., AIR CLEANER | 1 | INCLUDES ITEM W/# |
| 12 | 0037806000 | WINGNUT 6MM | 1 | |
| 13 | 90325044000 | WINGNUT, TOOL BOX SETTING | 2 | |
| 14 | 90009ZE2003 | BOLT- WASHER 6 X 22 | 1 | |
| 15 | 9405006000 | NUT, FLANGE 6MM | 2 | |

HONDA GX240K1HA2 ENGINE — CAMSHAFT ASSY.

CAMSHAFT ASSY.



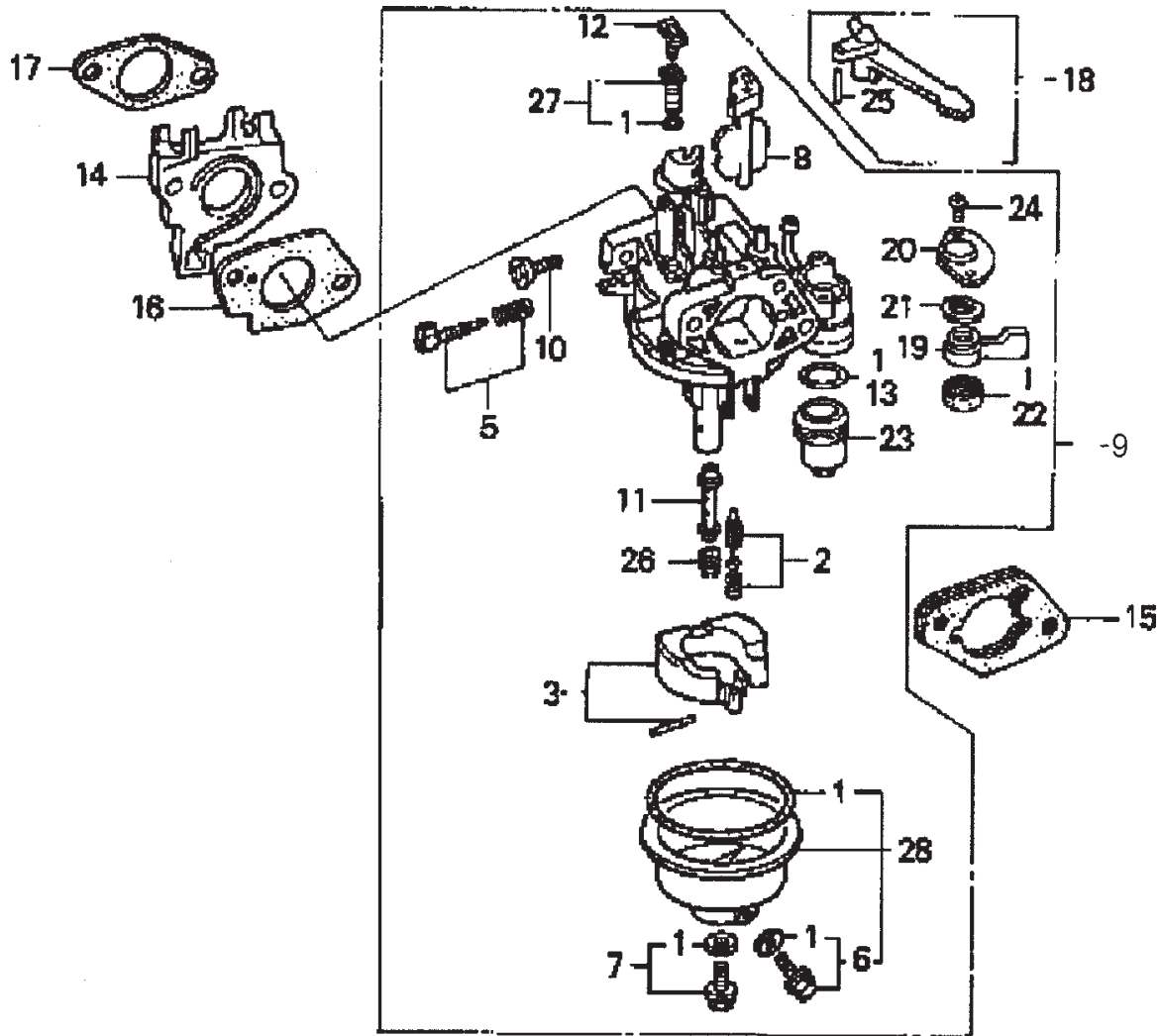
HONDA GX240K1HA2 ENGINE — CAMSHAFT ASSY.

CAMSHAFT ASSY.

| <u>NO.</u> | <u>PART NO.</u> | <u>PART NAME</u> | <u>QTY.</u> | <u>REMARKS</u> |
|------------|-----------------|----------------------------|-------------|-------------------|
| 1 | 14100ZE2W01 | CAMSHAFT ASSY. | 1 | INCLUDES ITEM W/* |
| 1 | 14100ZE2306 | CAMSHAFT | 1 | |
| 2 | 14410ZE2013 | ROD PUSH | 2 | |
| 3 | 14431ZE2010 | ARM VALVE ROCKER | 2 | |
| 4 | 14441ZE2000 | LIFTER VALVE | 2 | |
| 5 | 14451ZE1013 | PIVOT ROCKER ARM | 2 | |
| 6* | 14568ZE1000 | SPRING, WEIGHT RETURN | 1 | |
| 7 | 14711ZE2000 | VALVE, IN. | 1 | |
| 8 | 14721ZE2000 | VALVE, EX. | 1 | |
| 9 | 14751ZE2003 | SPRING, VALVE | 2 | |
| 10 | 14771ZE2000 | RETAINER, IN. VALVE SPRING | 1 | |
| 11 | 14773ZE2000 | RETAINER, EX. VALVE SPRING | 1 | |
| 12 | 14781ZE2000 | ROTATOR, VALVE | 1 | |
| 13 | 14791ZE2010 | PLATE, PUSH ROD GUIDE | 1 | |
| 14 | 90012ZE0010 | BOLT, PIVOT 8MM | 2 | |
| 15 | 90206ZE1000 | NUT, PIVOT ADJ. | 2 | |

HONDA GX240K1HA2 ENGINE — CARBURETOR ASSY.

CARBURETOR ASSY.



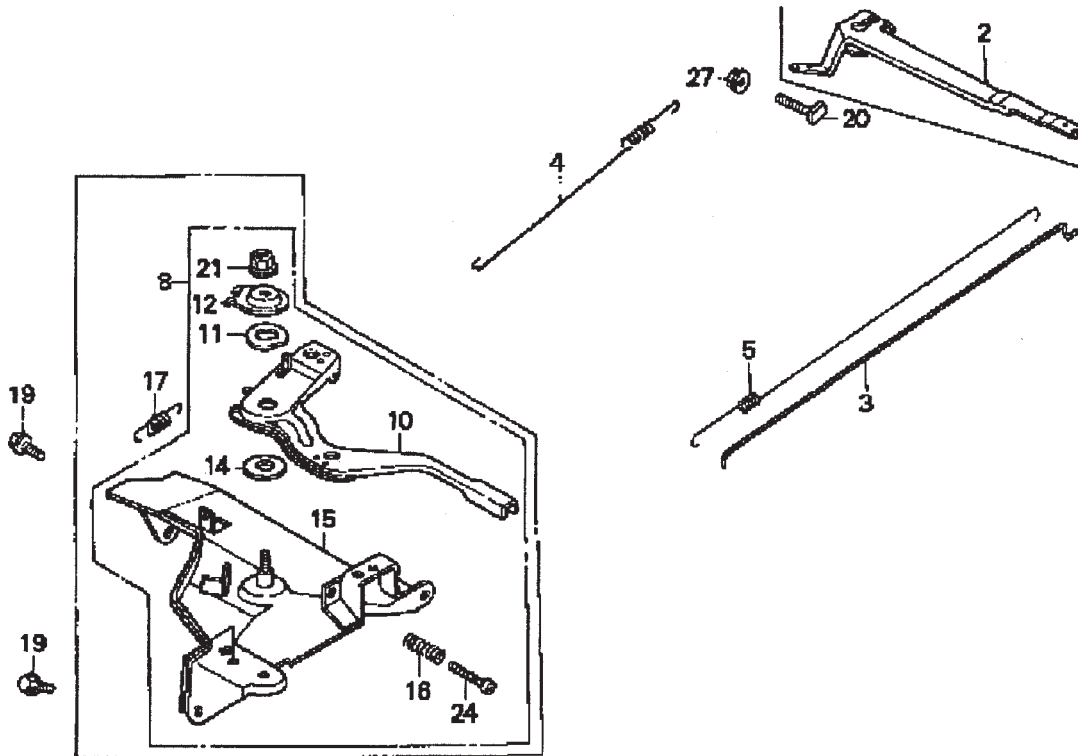
HONDA GX240K1HA2 ENGINE — CARBURETOR ASSY.

CARBURETOR ASSY.

| <u>NO.</u> | <u>PART NO.</u> | <u>PART NAME</u> | <u>QTY.</u> | <u>REMARKS</u> |
|------------|-----------------|--------------------------|-------------|--------------------------|
| 1*+ | 16010ZE2812 | GASKET SET | 1 | |
| 2* | 16011ZA0931 | VALVE SET, FLOAT | 1 | |
| 3* | 16013ZA0931 | FLOAT SET | 1 | |
| 5* | 16016ZHW01 | SCREW SET | 1 | |
| 6*+ | 16024ZE1811 | SCREW SET, DRAIN | 1 | |
| 7*+ | 16028ZE0005 | SCREW SET B | 1 | |
| 8* | 16028ZE2005 | CHOKE SET | 1 | |
| 9* | 16100ZE2W71 | CARBURETOR ASSY..... | 1 | INCLUDES ITEMS W/* |
| 10* | 16124ZE0005 | SCREW, THROTTLE STOP | 1 | |
| 11* | 16166ZE2W70 | NOZZLE, MAIN | 1 | |
| 12* | 16075GHBB00 | COLLAR, SET | 1 | |
| 13* | 16075GHBB00 | O-RING | 1 | |
| 14 | 16211ZE2000 | INSULATOR, CARB. | 1 | |
| 15 | 16220ZA0702 | SPACER COMP., CARB. | 1 | |
| 16 | 16221ZA0800 | GASKET, CARBURETOR | 1 | |
| 17 | 16223ZA0800 | GASKET, INSULATOR | 1 | |
| 18 | 16610ZE1000 | LEVER COMP., CHOKE, STD. | 1 | |
| 19* | 16953ZE1812 | LEVER, VALVE | 1 | |
| 20* | 16954ZE1811 | PLATE, LEVER SETTING | 1 | |
| 21* | 16956ZE1811 | SPRING, VALVE LEVER | 1 | |
| 22* | 16957ZE1812 | GASKET, VALVE | 1 | |
| 23* | 16967ZE0811 | CUP, FUEL STRAINER | 1 | |
| 24* | 93500030060H | SCREW, PAN 3 X 6 | 2 | |
| 25 | 9430520122 | PIN, SPRING 2 X 12 | 1 | |
| 26* | 99101ZH70820 | JET, MAIN #82, OPTIONAL | 1 | |
| 26* | 99101ZH70850 | JET, MAIN #85, OPTIONAL | 1 | |
| 26* | 99101ZH80880 | JET, MAIN #88 | 1 | |
| 27* | 99204ZE20400 | JET SET, PILOT #40 | 1 | |
| 28* | 16015ZE8005 | CHAMBER SET, FLOAT | 1 | INCLUDES ITEMS W/+ |

HONDA GX240K1HA2 ENGINE — CONTROL ASSY.

CONTROL ASSY.



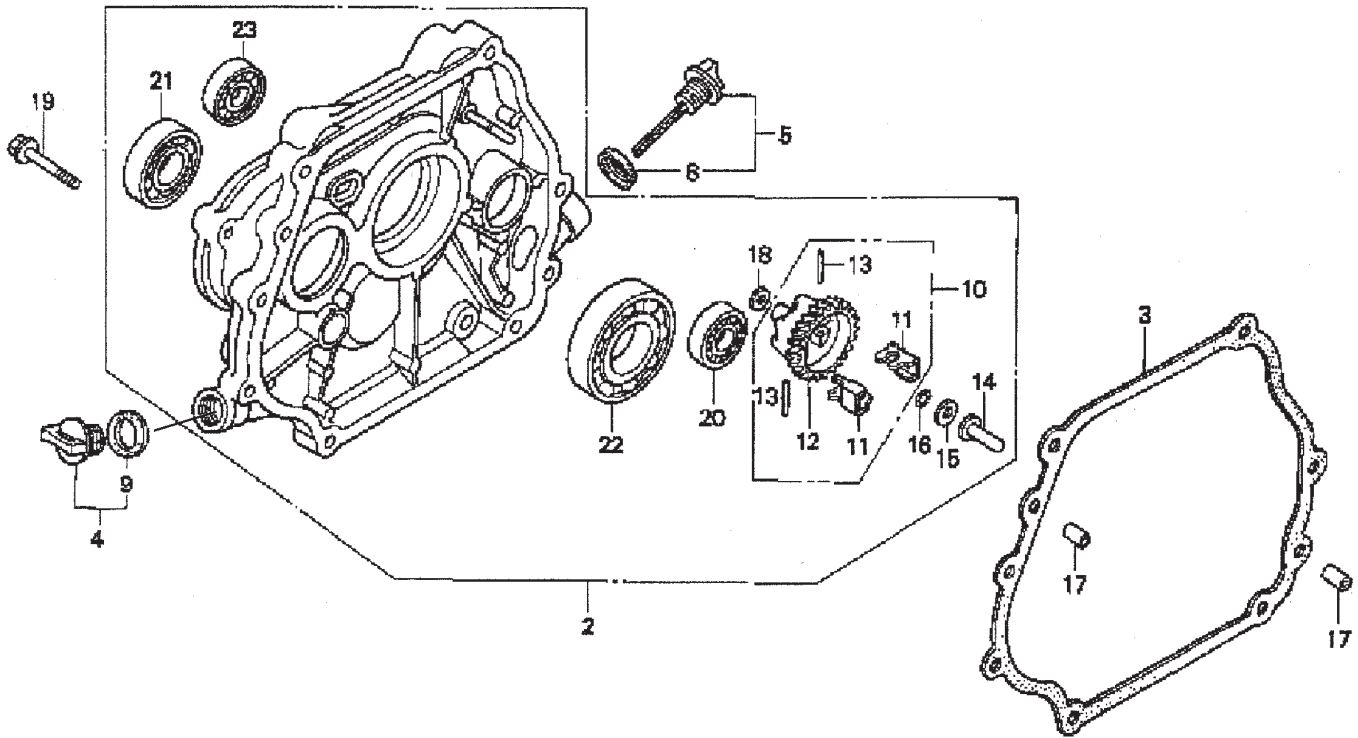
HONDA GX240K1HA2 ENGINE — CONTROL ASSY.

CONTROL ASSY.

| <u>NO.</u> | <u>PART NO.</u> | <u>PART NAME</u> | <u>QTY.</u> | <u>REMARKS</u> |
|------------|-----------------|-------------------------------|-------------|--------------------|
| 2 | 16551ZE2000 | ARM, GOVERNOR | 1 | |
| 3 | 16555ZE2000 | ROD, GOVERNOR | 1 | |
| 4 | 16561ZE2000 | SPRING, GOVERNOR | 1 | |
| 5 | 16571ZE2000 | SPRING, THROTTLE RETURN | 1 | |
| 8 | 16570ZE2W00 | CONTROL ASSEMBLY | 1 | INCLUDES ITEMS W/* |
| 10* | 16571ZE2W00 | LEVER, CONTROL | 1 | |
| 11* | 16574ZE1000 | SPRING, LEVER | 1 | |
| 12* | 16575ZE2W00 | WASHER, CONTROL LEVER | 1 | |
| 14* | 16578ZE1000 | SPACER, CONTROL LEVER | 1 | |
| 15* | 16581ZE2W00 | BASE, CONTROL | 1 | |
| 16* | 16584883300 | SPRING, CONTROL ADJUSTING | 1 | |
| 19 | 90013883000 | BOLT, FLANGE (6 X 12) (CT200) | 2 | |
| 20 | 90015ZE5010 | BOLT, GOVERNOR ARM | 1 | |
| 21* | 90114SA0000 | NUT, SELF- LOCK (6MM) | 1 | |
| 24* | 93500050280A | SCREW, PAN (5 X 28) | 1 | |
| 27 | 9405006000 | NUT, FLANGE | 1 | |

HONDA GX240K1HA2 ENGINE — CRANKCASE COVER ASSY.

CRANKCASE COVER ASSY.



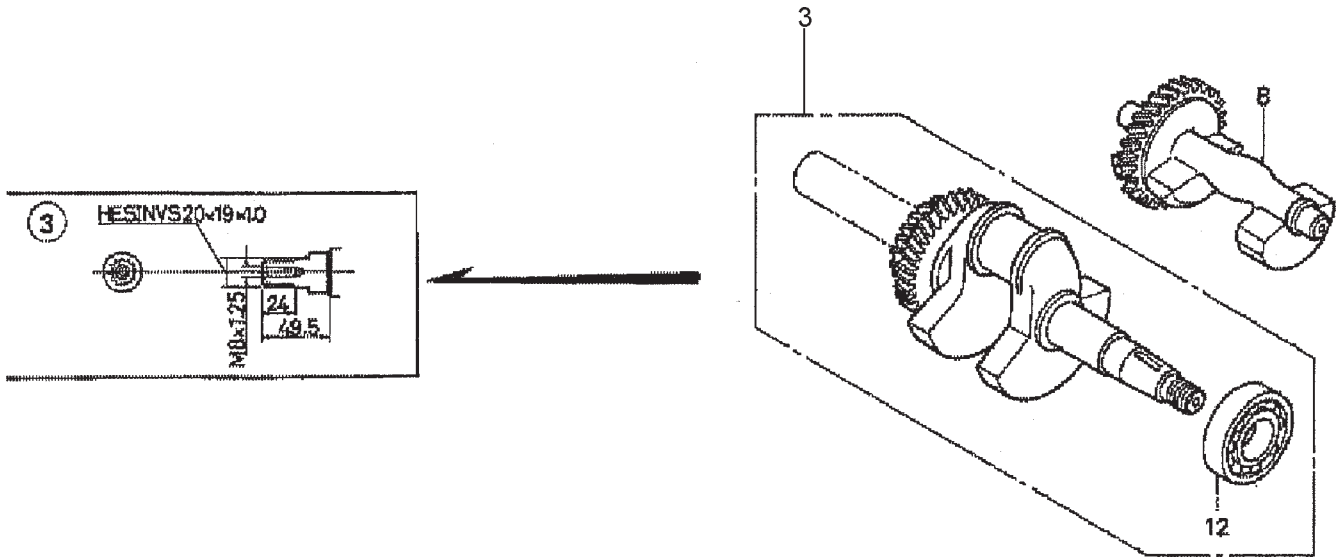
HONDA GX240K1HA2 ENGINE — CRANKCASE COVER ASSY.

CRANKCASE COVER ASSY.

| <u>NO.</u> | <u>PART NO.</u> | <u>PART NAME</u> | <u>QTY.</u> | <u>REMARKS</u> |
|------------|-----------------|---|-------------|--------------------|
| 2 | 11400ZE2621 | COVER ASSY., CRANKCASE (H-TYPE) (BALANCER) | 1 | INCLUDES ITEMS W/* |
| 3 | 11381ZE2801 | GASKET, CASE COVER | 1 | |
| 4 | 15600ZG4003 | CAP ASSY., OIL FILLER | 1 | INCLUDES ITEMS W/# |
| 5 | 15600735003 | CAP ASSY., OIL FILLER | 1 | INCLUDES ITEMS W/% |
| 8% | 15625ZE1003 | GASKET, OIL FILLER CAP | 1 | |
| 9# | 15625ZE1003 | GASKET, OIL FILLER CAP | 1 | |
| 10 | 16510ZE2811 | GOVERNOR ASSEMBLY (BALANCER) | 1 | INCLUDES ITEMS W/+ |
| 11*+ | 16511ZE2000 | WEIGHT, GOVERNOR | 2 | |
| 12*+ | 16512ZE2811 | HOLDER, GOVERNOR WEIGHT | 1 | |
| 13*+ | 16513ZE2000 | PIN, GOVERNOR WEIGHT | 2 | |
| 14* | 16531ZE2000 | SLIDER, GOVERNOR | 1 | |
| 15* | 90473147000 | WASHER (6 X 16) | 1 | |
| 16* | 90602ZE1000 | CLIP, GOVERNOR HOLDER | 1 | |
| 17 | 90701HC4000 | PIN, DOWEL (8 X 12) | 2 | |
| 18* | 58176 | WASHER, PLAIN (6MM) | 1 | |
| 19 | 957010803500 | BOLT, FLANGE (8 X 35) | 7 | |
| 20* | 961006202000 | BEARING, RADIAL BALL (6202) | 1 | |
| 21* | 961006204000 | BEARING, RADIAL BALL (6204) | 1 | |
| 22* | 961006206000 | BEARING, RADIAL BALL (6206) | 1 | |
| 23* | 961006302000 | BEARING, RADIAL BALL (6302) | 1 | |

HONDA GX240K1HA2ENGINE — CRANKSHAFT ASSY.

CRANKSHAFT ASSY.



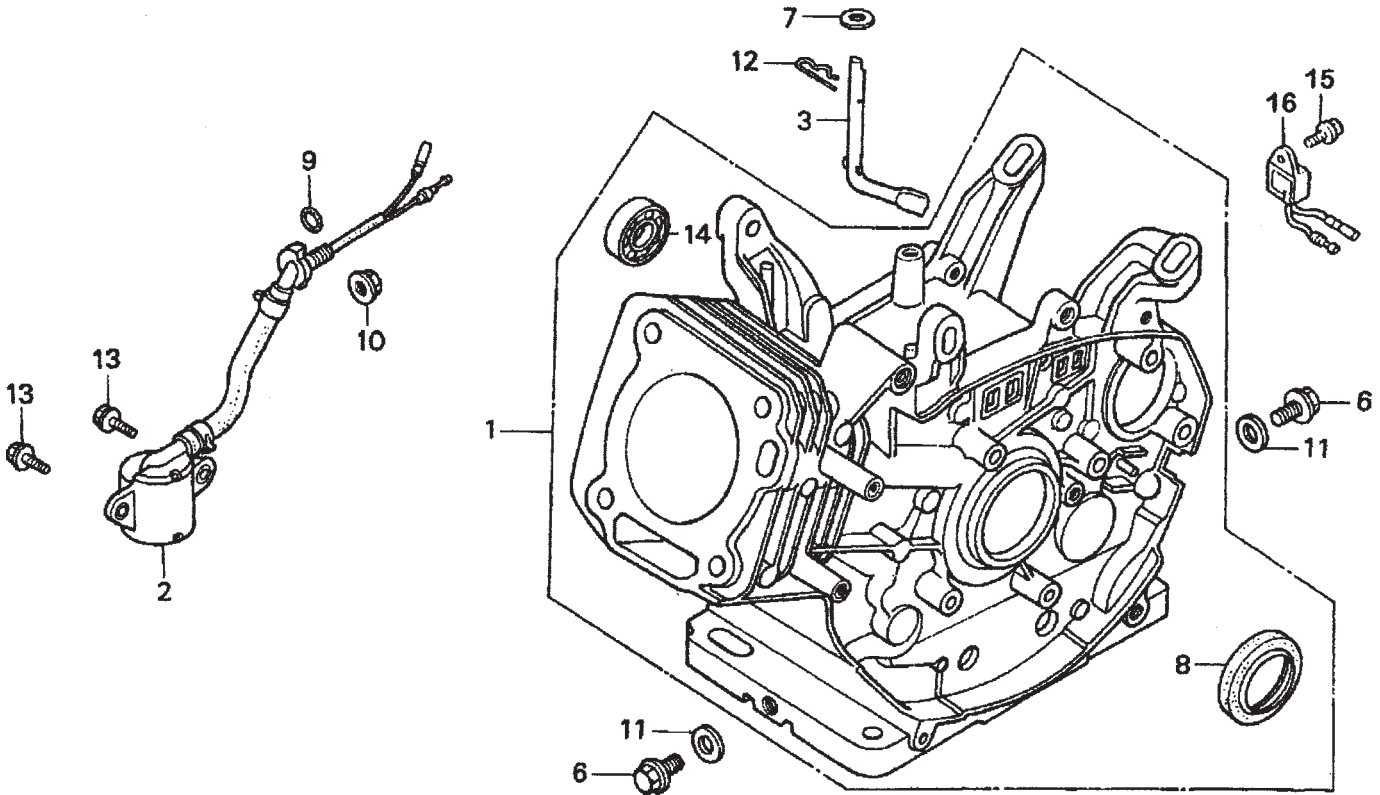
HONDA GX240K1HA2ENGINE — CRANKSHAFT ASSY.

CRANKSHAFT ASSY.

| <u>NO.</u> | <u>PART NO.</u> | <u>PART NAME</u> | <u>QTY.</u> | <u>REMARKS</u> |
|------------|-----------------|-----------------------------|-------------|-------------------|
| 3 | 13320ZE2611 | CRANKSHAFT (L- TYPE)..... | 1 | INCLUDES ITEM W/* |
| 8 | 13351ZE2010 | WEIGHT BALANCER | 1 | |
| 12* | 961006206000 | BEARING, RADIAL BALL (6206) | 1 | |

HONDA GX240K1HA2 ENGINE — CYLINDER BARREL ASSY.

CYLINDER BARREL ASSY.



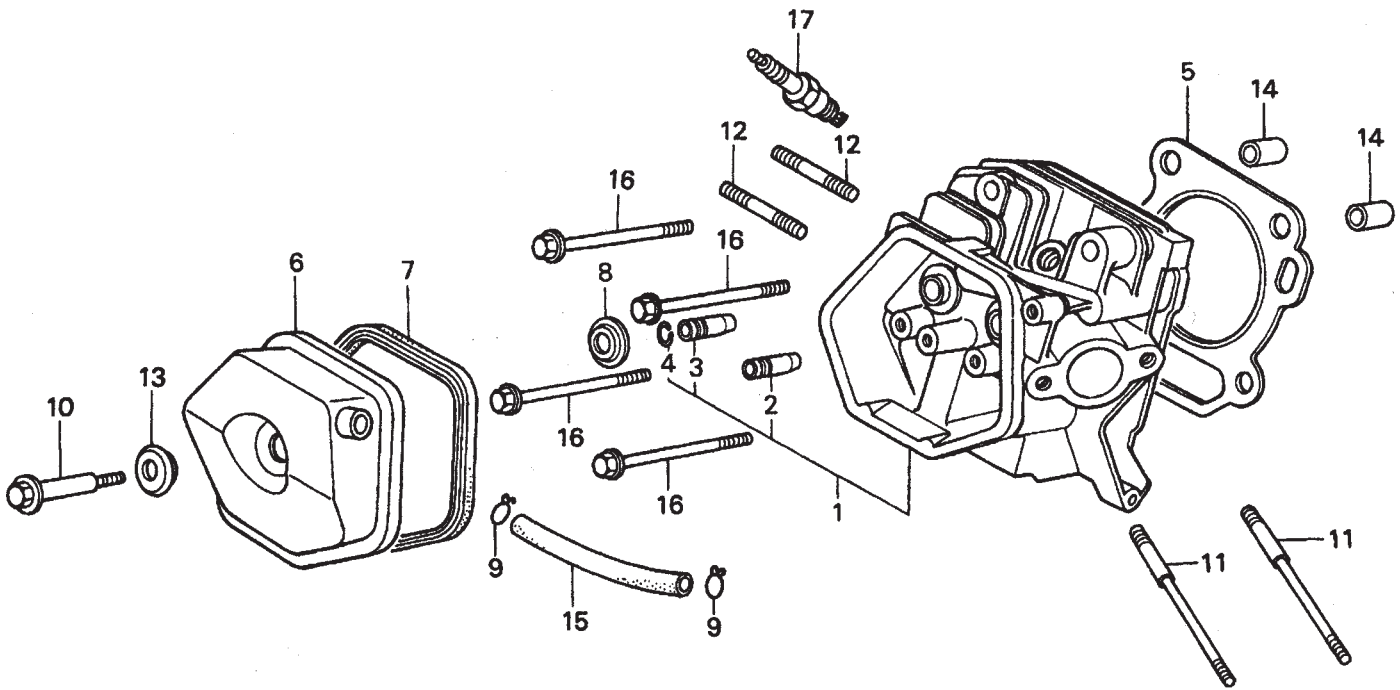
HONDA GX240K1HA2 ENGINE — CYLINDER BARREL ASSY.

CYLINDER BARREL ASSY.

| <u>NO.</u> | <u>PART NO.</u> | <u>PART NAME</u> | <u>QTY.</u> | <u>REMARKS</u> |
|------------|-----------------|--------------------------------------|-------------|--------------------|
| 1 | 12000ZE2834 | CYLINDER ASSY., BALANCER + OIL ALERT | 1 | INCLUDES ITEMS W/* |
| 2 | 15510ZE2043 | SWITCH ASSY., OIL LEVEL | 1 | |
| 3 | 16541ZE2010 | SHAFT, GOVERNOR ARM | 1 | |
| 6 | 90131896650 | BOLT, DRAIN PLUG | 2 | |
| 7 | 90446KE1000 | WASHER 8.2 X17X0.8 | 1 | |
| 8* | 91201890003 | OIL SEAL 30X46X8 | 1 | |
| 9 | 91353671003 | O-RING 14MM ARAI | 1 | |
| 10 | 9405010000 | NUT FLANGE 10MM | 1 | |
| 11 | 031112230 | WASHER, DRAIN PLUG 12MM | 2 | |
| 12 | 9425110000 | PIN, LOCK 10MM | 1 | |
| 13 | 957010601200 | BOLT, FLANGE 6X12 | 2 | |
| 14* | 961006202000 | BEARING, RADIAL BALL 6202 | 1 | |
| 15 | 90013883000 | BOLT, FLANGE 6X12 CT200 | 1 | |
| 16 | 34150ZH7003 | ALERT UNIT, OIL | 1 | |

HONDA GX240K1HA2 ENGINE — CYLINDER HEAD ASSY.

CYLINDER HEAD ASSY.



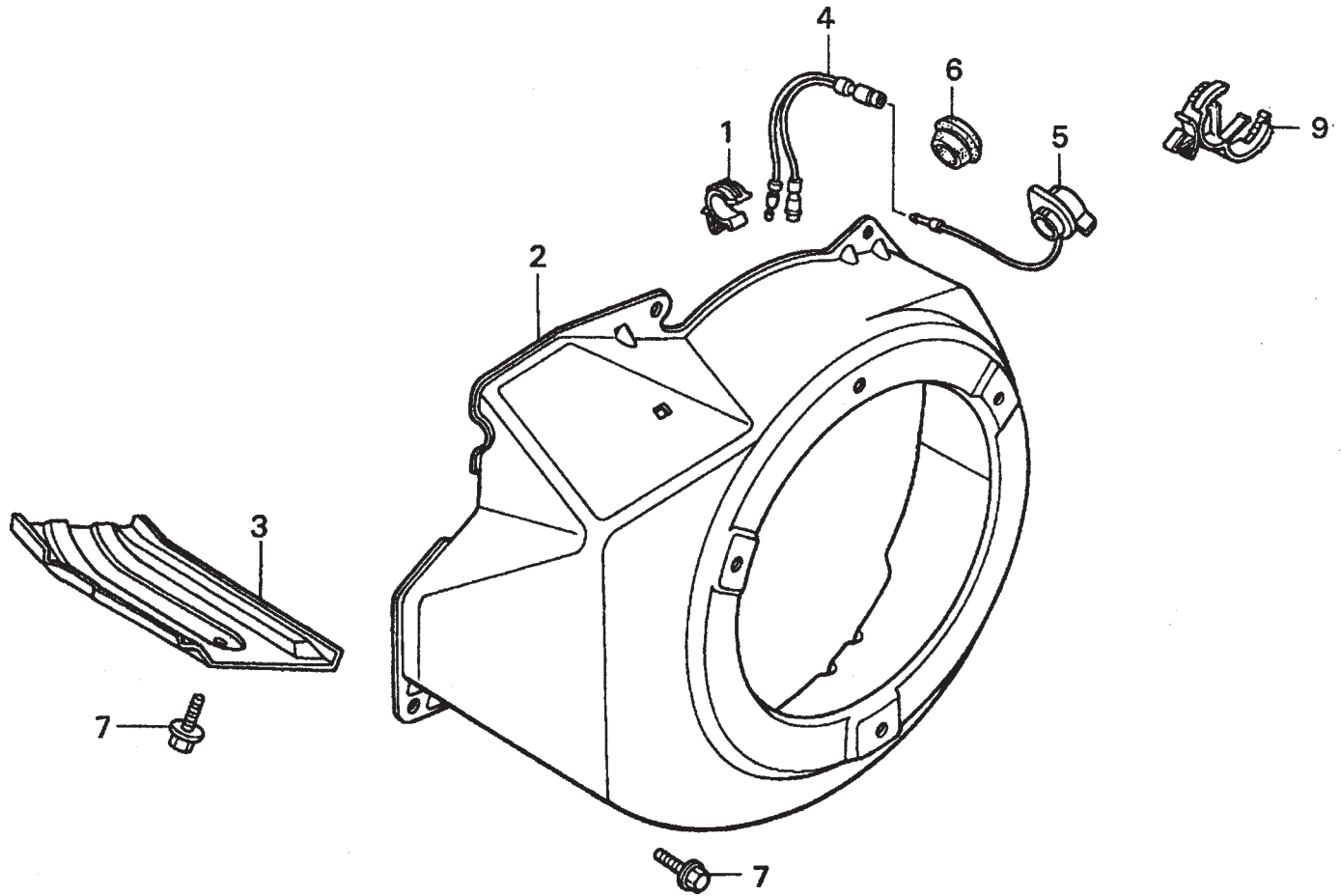
HONDA GX240K1HA2 ENGINE — CYLINDER HEAD ASSY.

CYLINDER HEAD ASSY.

| <u>NO.</u> | <u>PART NO.</u> | <u>PART NAME</u> | <u>QTY.</u> | <u>REMARKS</u> |
|------------|-----------------|-----------------------------------|-------------|--------------------|
| 1 | 12200ZH9000 | CYLINDER HEAD COMP. | 1 | INCLUDES ITEMS W/* |
| 2* | 12204ZE2306 | GUIDE, VALVE, OS, OPTIONAL | 1 | |
| 3* | 12205ZE2305 | GUIDE, EX. VALVE, OS, OPTIONAL | 1 | |
| 4* | 12216ZE2300 | CLIP, VALVE GUIDE | 1 | |
| 5 | 12251ZE2800 | GASKET, CYLINDER HEAD | 1 | |
| 6 | 12310ZE2020 | COVER COMP., HEAD | 1 | |
| 7 | 12391ZE2020 | GASKET, CYLINDER HEAD COVER | 1 | |
| 8 | 14775ZE2010 | SEAT, VALVE SPRING | 1 | |
| 10 | 90014ZE2000 | BOLT, HEAD COVER | 1 | |
| 11 | 90042ZE2000 | BOLT, STUD 8X123 | 2 | |
| 12 | 92900080320E | BOLT, STUD 8X47 | 2 | |
| 13 | 90441ZE2010 | WASHER COMP., HEAD COVER | 1 | |
| 14 | 9430112200 | PIN A, DOWEL 12X20 | 2 | |
| 15 | 950051100130M | BULK HOSE, VACUUM 11X1000, 11X100 | 1 | |
| 16 | 957011008000 | BOLT, FLANGE 10X80 | 4 | |
| 17 | 9807956846 | SPARK PLUG, BPR6ES, NGK | 1 | |
| 17 | 9807956855 | SPARK PLUG, W20EPR-U, DENSO | 1 | |

HONDA GX240K1HA2 ENGINE — FAN COVER ASSY.

FAN COVER ASSY.



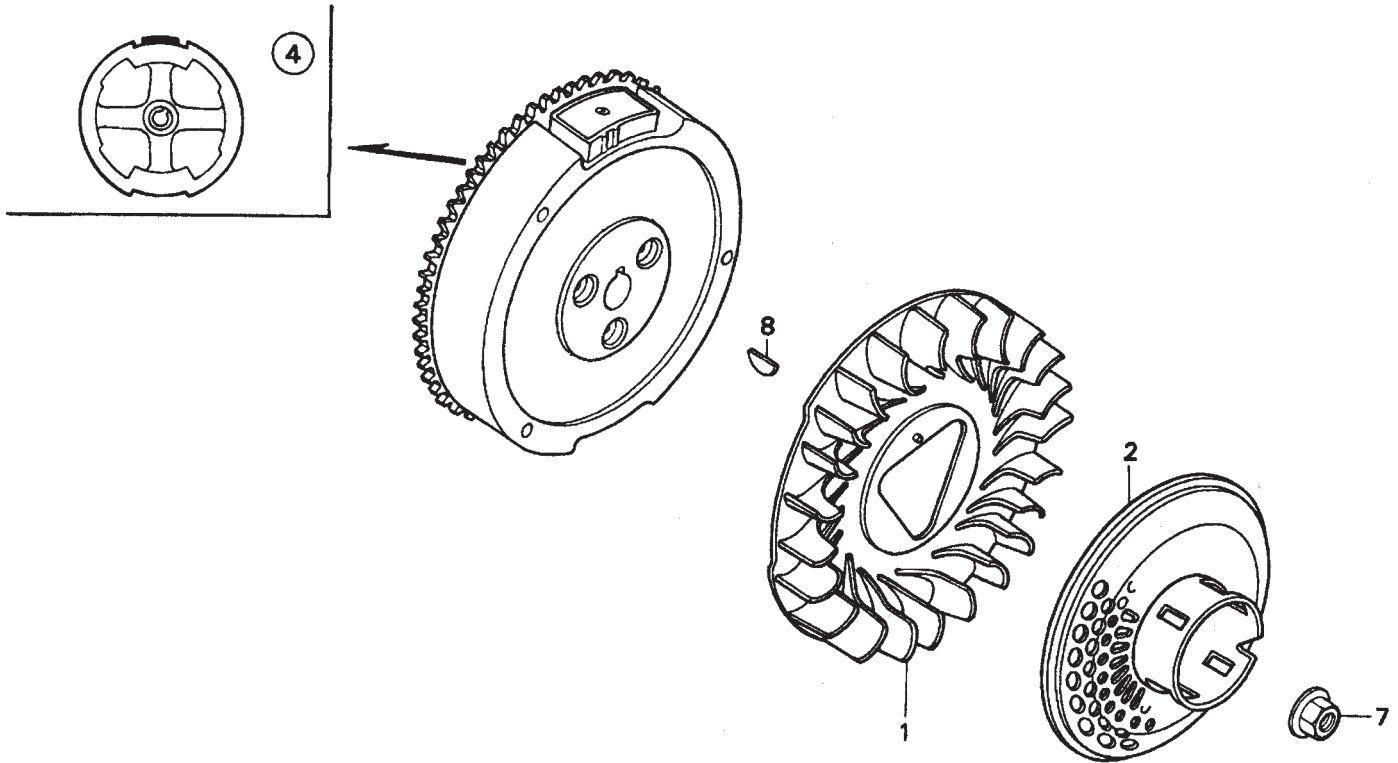
HONDA GX240K1HA2 ENGINE — FAN COVER ASSY.

FAN COVER ASSY.

| <u>NO.</u> | <u>PART NO.</u> | <u>PART NAME</u> | <u>QTY.</u> | <u>REMARKS</u> |
|------------|-----------------|------------------------------|-------------|----------------|
| 1 | 16731ZE2003 | CLIP, TUBE | 1 | |
| 2 | 19610ZE2010ZC | COVER COMP., FAN *NH1* BLACK | 1 | |
| 3 | 19631ZE2D00 | SHROUD | 1 | |
| 4 | 32197ZH8003 | SUB-HARNESS | 1 | |
| 5 | 36100ZE1015 | SWITCH ASSY., ENGINE STOP | 1 | |
| 7 | 90013883000 | BOLT, FLANGE 6X12, CT200 | 6 | |
| 9 | 90684ZA0601 | CLIP, WIRE HARNESS | 1 | |

HONDA GX240K1HA2 ENGINE — FLYWHEEL ASSY.

FLYWHEEL ASSY.



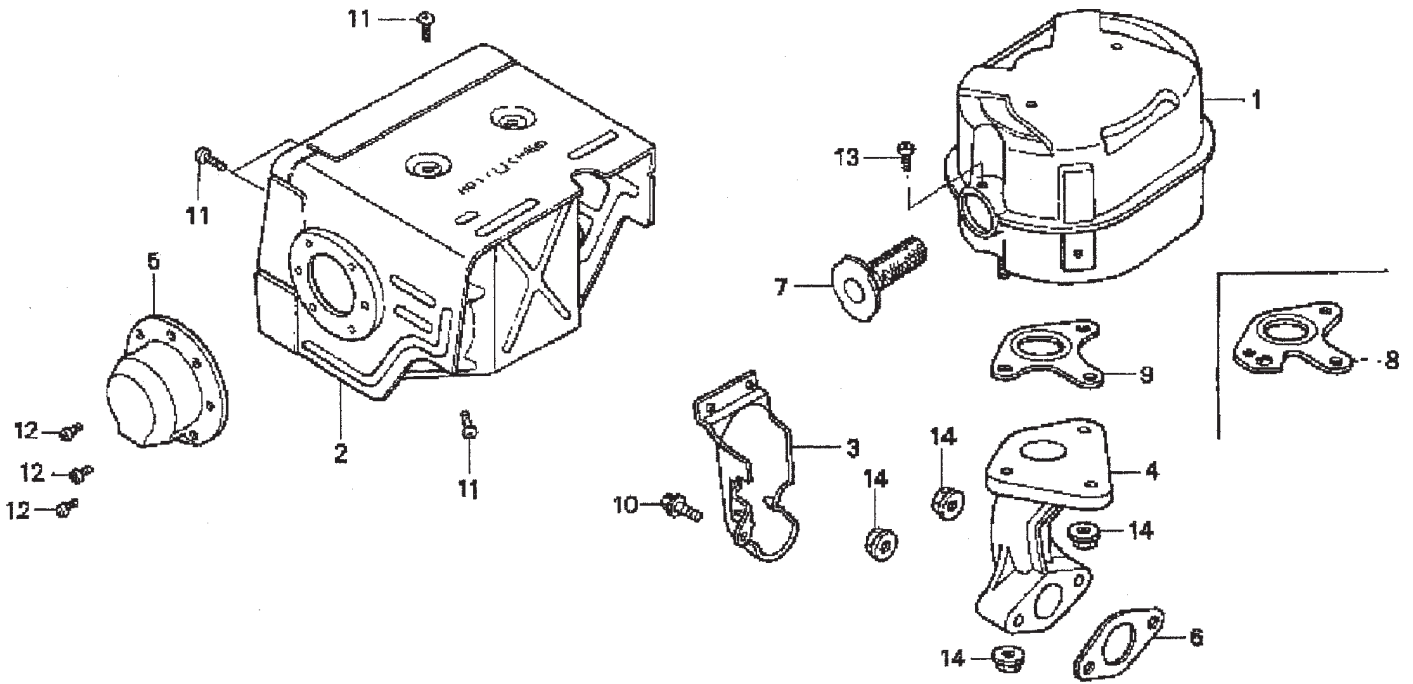
HONDA GX240K1HA2 ENGINE — FLYWHEEL ASSY.

FLYWHEEL ASSY.

| <u>NO.</u> | <u>PART NO.</u> | <u>PART NAME</u> | <u>QTY.</u> | <u>REMARKS</u> |
|------------|-----------------|------------------------------------|-------------|----------------|
| 1 | 19511ZE2000 | FAN, COOLING | 1 | |
| 2 | 28450ZE2W11 | PULLEY COMP., STARTER, SCREEN GRID | 1 | |
| 4 | 31100ZE2010 | FLYWHEEL COMP. | 1 | |
| 7 | 90201ZE3V00 | NUT, SPECIAL 16MM | 1 | |
| 8 | 90741ZE2000 | KEY, SPECIAL WOODRUFF 25X18 | 1 | |

HONDA GX240K1HA2 ENGINE — MUFFLER ASSY.

MUFFLER ASSY.



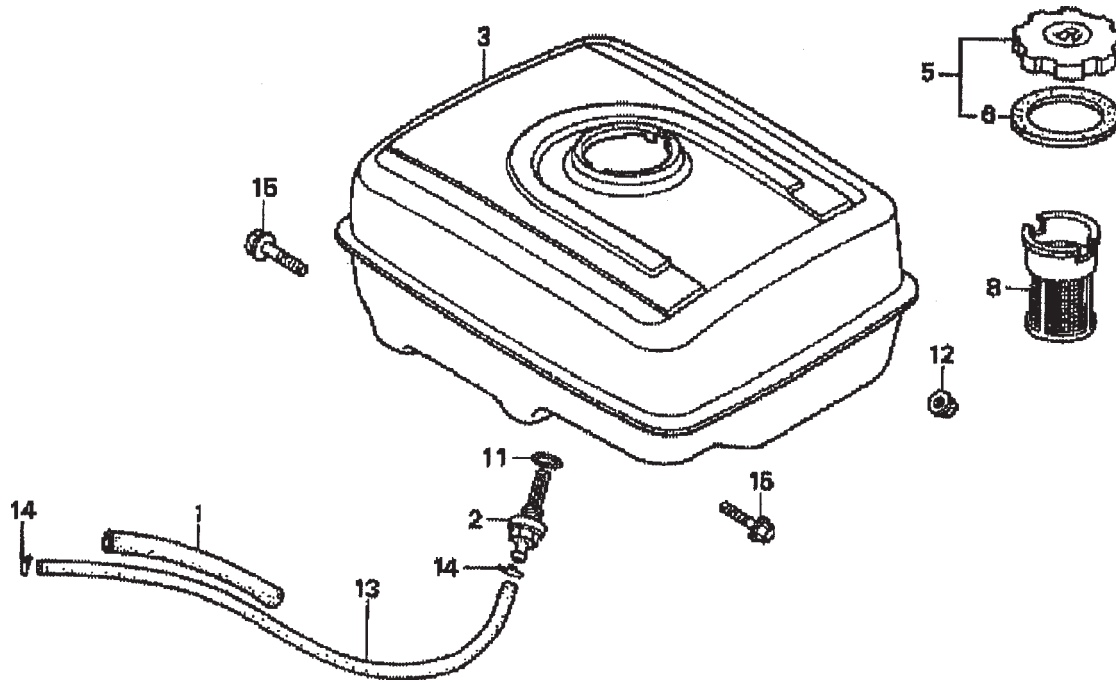
HONDA GX240K1HA2 ENGINE — MUFFLER ASSY.

MUFFLER ASSY.

| <u>NO.</u> | <u>PART NO.</u> | <u>PART NAME</u> | <u>QTY.</u> | <u>REMARKS</u> |
|------------|-----------------|-----------------------------------|-------------|----------------|
| 1 | 18310ZE2W00 | MUFFLER | 1 | |
| 2 | 18320ZE2W01 | PROTECTOR, MUFFLER | 1 | |
| 3 | 18323ZE2W00 | PROTECTOR, EX. PIPE | 1 | |
| 4 | 18330ZE2W00 | PIPE, EX. | 1 | |
| 5 | 18331ZE2810 | CAP, MUFFLER | 1 | |
| 6 | 18333ZK6Y00 | GASKET, EX. PIPE | 1 | |
| 7 | 18355ZE2010 | ARRESTER, SPARK | 1 | |
| 8 | 18381ZE2W10 | GASKET, MUFFLER (ARRESTER) | 1 | |
| 9 | 18381ZE2800 | GASKET, MUFFLER | 1 | |
| 10 | 90013883000 | BOLT, FLANGE (6 X 12) (CT200) | 1 | |
| 11 | 90050ZE1000 | SCREW, TAPPING (5 X 8) | 6 | |
| 12 | 90055ZE1000 | SCREW, TAPPING (4 X 6) | 3 | |
| 13 | 90050ZE1000 | SCREW, TAPPING (5 X 8) (OPTIONAL) | 1 | |
| 14 | 9405008000 | NUT, FLANGE (8MM) | 5 | |

HONDA GX240K1HA2 ENGINE — FUEL TANK ASSY.

FUEL TANK ASSY.



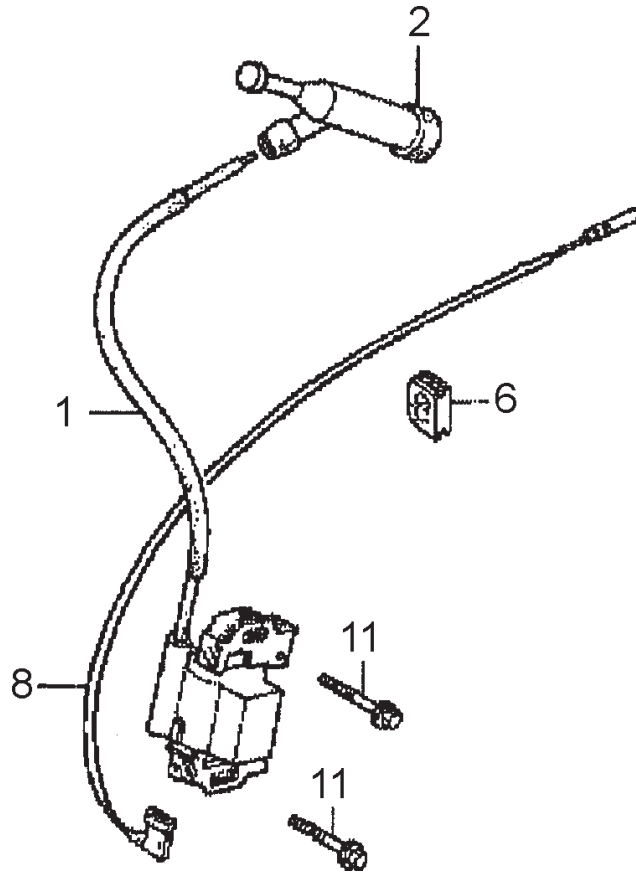
HONDA GX240K1HA2 ENGINE — FUEL TANK ASSY.

FUEL TANK ASSY.

| <u>NO.</u> | <u>PART NO.</u> | <u>PART NAME</u> | <u>QTY.</u> | <u>REMARKS</u> |
|------------|-----------------|-----------------------------------|-------------|--------------------|
| 1 | 16854ZH8000 | RUBBER SUPPORTER 107MM | 1 | |
| 2 | 16955ZE1000 | JOINT, FUEL TANK | 1 | |
| 3 | 17510ZE2010ZD | TANK COMP., FUEL *NH1*, BLACK | 1 | |
| 5 | 17620ZH7023 | CAP COMP., FUEL FILLER | 1 | INCLUDES ITEMS W/* |
| 6* | 17631ZH7003 | GASKET, FUEL FILLER CAP | 1 | |
| 8 | 17672ZE2W01 | FILTER, FUEL | 1 | |
| 11 | 91353671003 | O-RING 14MM, ARAI | 1 | |
| 12 | 9405008000 | NUT, FLANGE 8MM | 2 | |
| 13 | 950014500360M | BULK HOSE, FUEL 4.5X3000, 4.5X222 | 1 | |
| 14 | 9500202080 | CLIP, TUBE, B8 | 2 | |
| 15 | 957010802500 | BOLT, FLANGE 8X25 | 2 | |

HONDA GX240K1HA2ENGINE — IGNITION ASSY.

IGNITION COIL ASSY.



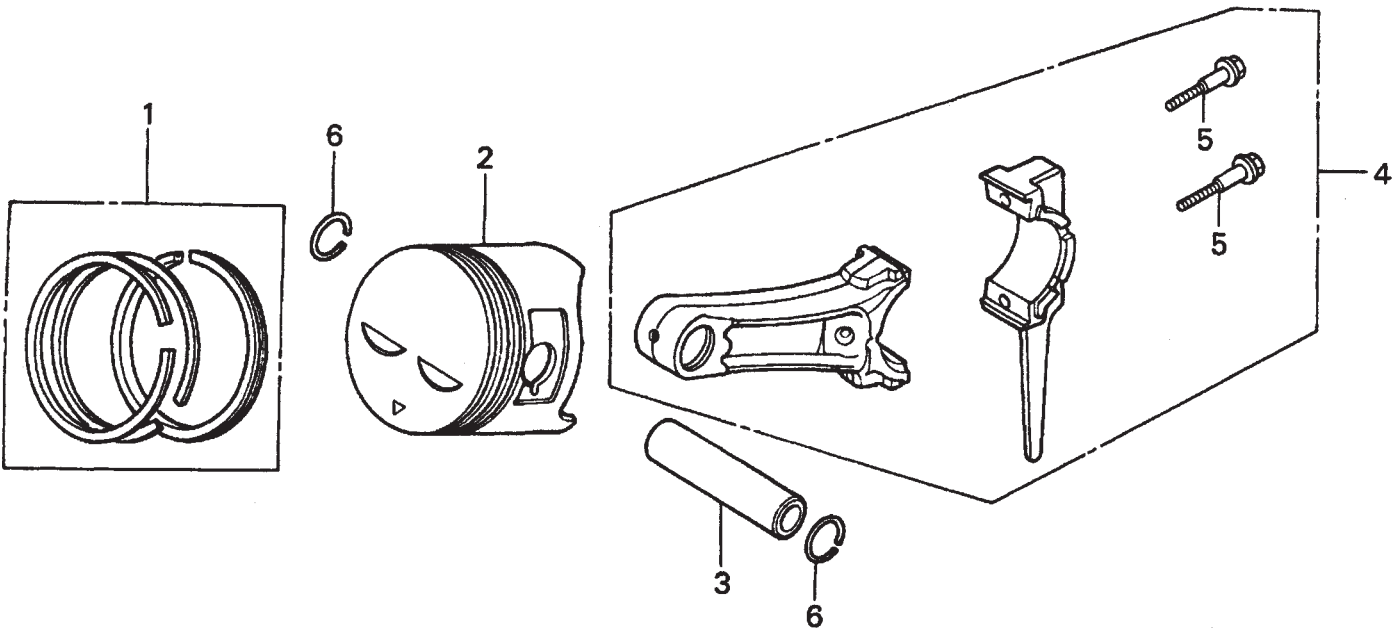
HONDA GX240K1HA2ENGINE — IGNITION ASSY.

IGNITION COIL ASSY.

| <u>NO.</u> | <u>PART NO.</u> | <u>PART NAME</u> | <u>QTY.</u> | <u>REMARKS</u> |
|------------|-----------------|-----------------------------|-------------|----------------|
| 1 | 30500ZF6W02 | COIL ASSY., IGNITION | 1 | |
| 2 | 30700ZE1013 | CAP ASSY., NOISE SUPPRESSOR | 1 | |
| 6 | 31512ZE2000 | GROMMET, WIRE | 1 | |
| 8 | 36101ZE1010 | WIRE, STOP SWITCH 370MM | 1 | |
| 11 | 90015883000 | BOLT, FLANGE 6X28 | 2 | |

HONDA GX240K1HA2 ENGINE — PISTON ASSY.

PISTON ASSY.



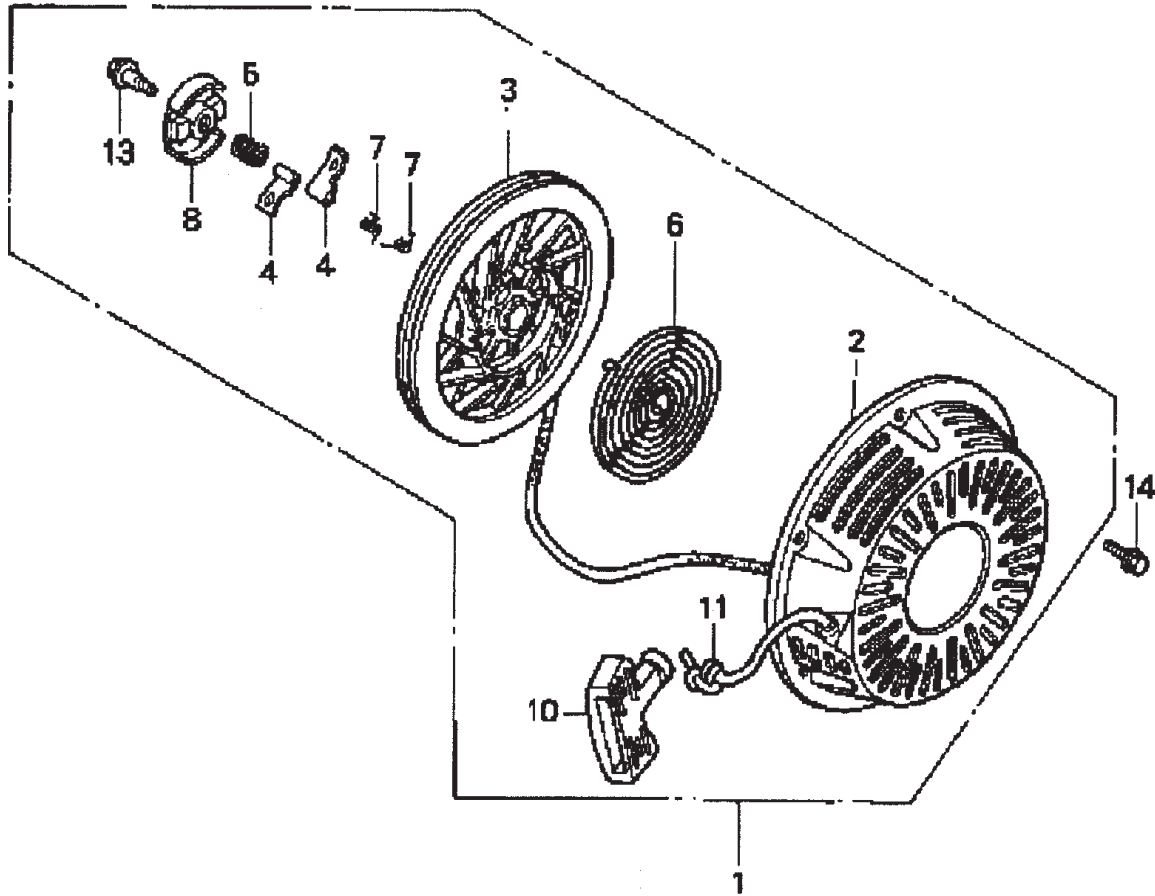
HONDA GX240K1HA2 ENGINE — PISTON ASSY.

PISTON ASSY.

| <u>NO.</u> | <u>PART NO.</u> | <u>PART NAME</u> | <u>QTY.</u> | <u>REMARKS</u> |
|------------|-----------------|--------------------------------------|-------------|--------------------|
| 1 | 13010ZE2013 | RING SET, PISTON, STD. | 1 | |
| 1 | 13011ZE2013 | RING SET, PISTON, OS 0.25, OPTIONAL | 1 | |
| 1 | 13012ZE2013 | RING SET, PISTON, OS 0.50, OPTIONAL | 1 | |
| 1 | 13013ZE2013 | RING SET, PISTON, 0.75, OPTIONAL | 1 | |
| 2 | 13101ZE2W00 | PISTON, STANDARD | 1 | |
| 2 | 13102ZE2W00 | PISTON, OS 0.25, OPTIONAL | 1 | |
| 2 | 13103ZE2W00 | PISTON, OS 0.50, OPTIONAL | 1 | |
| 2 | 13104ZE2W00 | PISTON, 0.75, OPTIONAL | 1 | |
| 3 | 13111ZE2000 | PIN, PISTON | 1 | |
| 4 | 13200ZE2000 | ROD ASSY., CONNECTING STANDARD | 1 | INCLUDES ITEMS W/* |
| 4 | 13200ZE2305 | ROD ASSY., CONNECTING, US 0.25, OPT. | 1 | |
| 5* | 90001ZE8000 | BOLT, CONNECTING ROD | 2 | |
| 6 | 90551ZE1000 | CLIP, PISTON PIN 18MM | 2 | |

HONDA GX240K1HA2 ENGINE — RECOIL STARTER ASSY.

RECOIL STARTER ASSY.



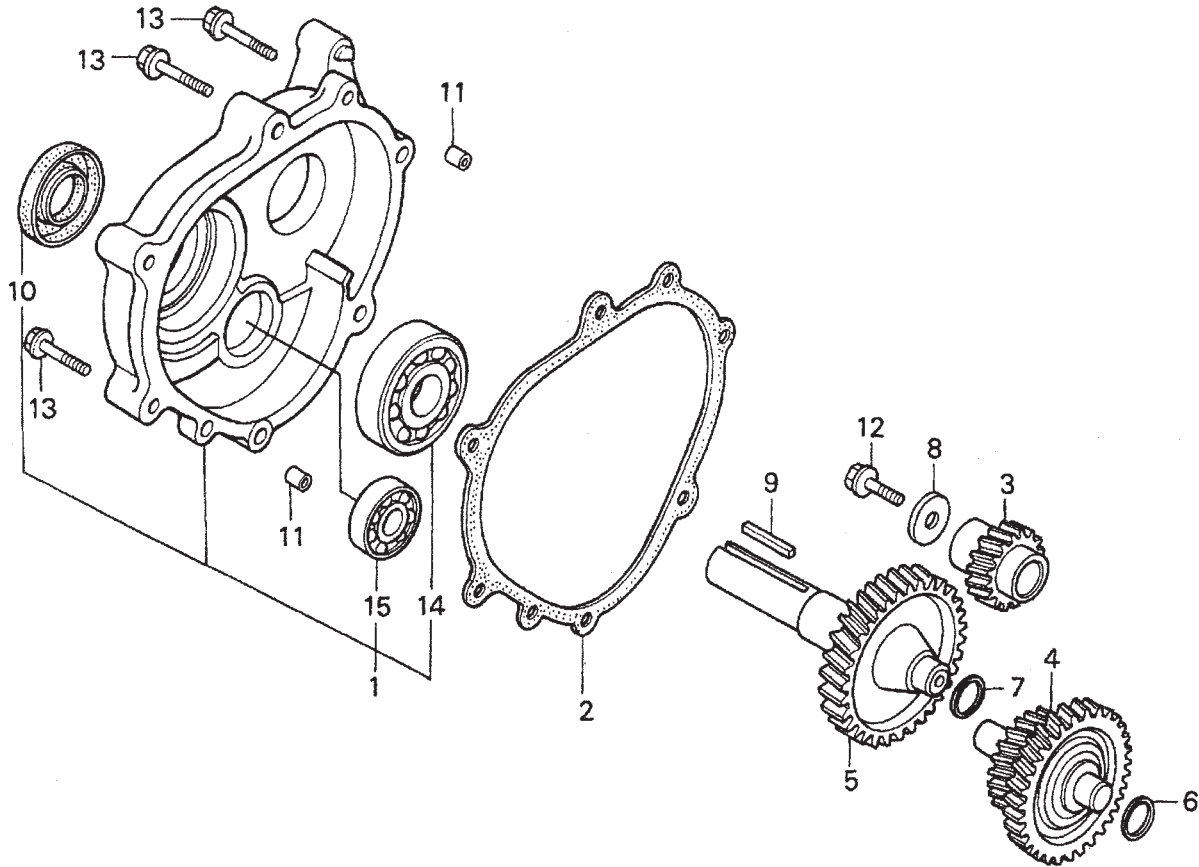
HONDA GX240K1HA2 ENGINE — RECOIL STARTER ASSY.

RECOIL STARTER ASSY.

| <u>NO.</u> | <u>PART NO.</u> | <u>PART NAME</u> | <u>QTY.</u> | <u>REMARKS</u> |
|------------|-----------------|--|-------------|--------------------|
| 1 | 28400ZE2W01ZB | STARTER ASSY., RECOIL *NH1*, BLK | 1 | INCLUDES ITEMS W/* |
| 2* | 28410ZE2W01ZB | CASE COMP., RECOIL STARTER *NH1*, BLK | 1 | |
| 3* | 28421ZE2W01 | PULLEY, RECOIL STARTER | 1 | |
| 4* | 28422ZE2W01 | RATCHET, STARTER | 2 | |
| 5* | 28441ZE2W01 | SPRING, FRICTION | 1 | |
| 6* | 28442ZE2W01 | SPRING, STARTER RETURN | 1 | |
| 7* | 28443ZE2W01 | SPRING RATCHET | 2 | |
| 8* | 28444ZE2W01 | RETAINER, SPRING | 1 | |
| 10* | 28461ZE2W02 | GRIP, STARTER | 1 | |
| 11* | 28462ZE2W11 | ROPE, RECOIL STARTER | 1 | |
| 13* | 90004ZE2W01 | SCREW, CENTER | 1 | |
| 14 | 90008ZE2003 | BOLT, FLANGE 6X10 | 3 | |

HONDA GX240K1HA2 ENGINE — GEAR REDUCTION ASSY.

GEAR REDUCTION ASSY.



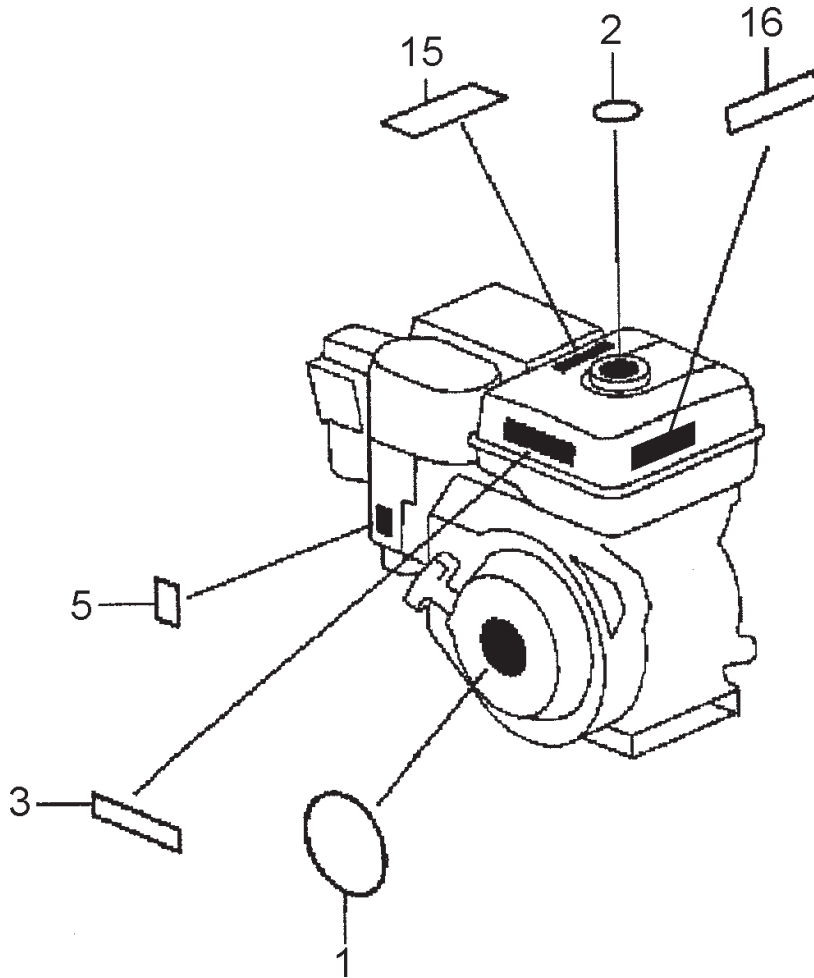
HONDA GX240K1HA2 ENGINE — GEAR REDUCTION ASSY.

GEAR REDUCTION ASSY.

| <u>NO.</u> | <u>PART NO.</u> | <u>PART NAME</u> | <u>QTY.</u> | <u>REMARKS</u> |
|------------|-----------------|----------------------------------|-------------|--------------------|
| 1 | 11500ZE2620 | COVER ASSY, REDUCTION CASE | 1 | INCLUDES ITEMS W/* |
| 2 | 11521ZE2800 | GASKET, CHAIN CASE COVER | 1 | |
| 3 | 22103ZE2620 | GEAR, PRIMARY DRIVE (17T) | 1 | |
| 4 | 23220ZE2621 | COUNTERSHAFT | 1 | |
| 5 | 23710ZE2621 | SHAFT, P.T.O. (H- TYPE) | 1 | |
| 6 | 90401ZE2620 | SHIM A (OPTIONAL) | AR | |
| 7 | 90402ZE2620 | SHIM B (OPTIONAL) | AR | |
| 8 | 90473842000 | WASHER (8MM) | 1 | |
| 9 | 90745ZE2600 | KEY (6.3 X 6.3 X 43) | 1 | |
| 10* | 91201890003 | OIL SEAL (30 X 46 X 8) | 1 | |
| 11 | 9430108140 | PIN A, DOWEL (8 X 14) | 2 | |
| 12 | 957010802500 | BOLT, FLANGE (8 X 25) | 1 | |
| 13 | 957010804000 | BOLT, FLANGE (8 X 40) | 6 | |
| 14* | 961006206000 | BEARING, RADIAL BALL (6206) | 1 | |
| 15* | 961006302000 | BEARING, RADIAL BALL (6302) | 1 | |

HONDA GX240K1HA2 ENGINE — LABEL ASSY.

LABEL ASSY.



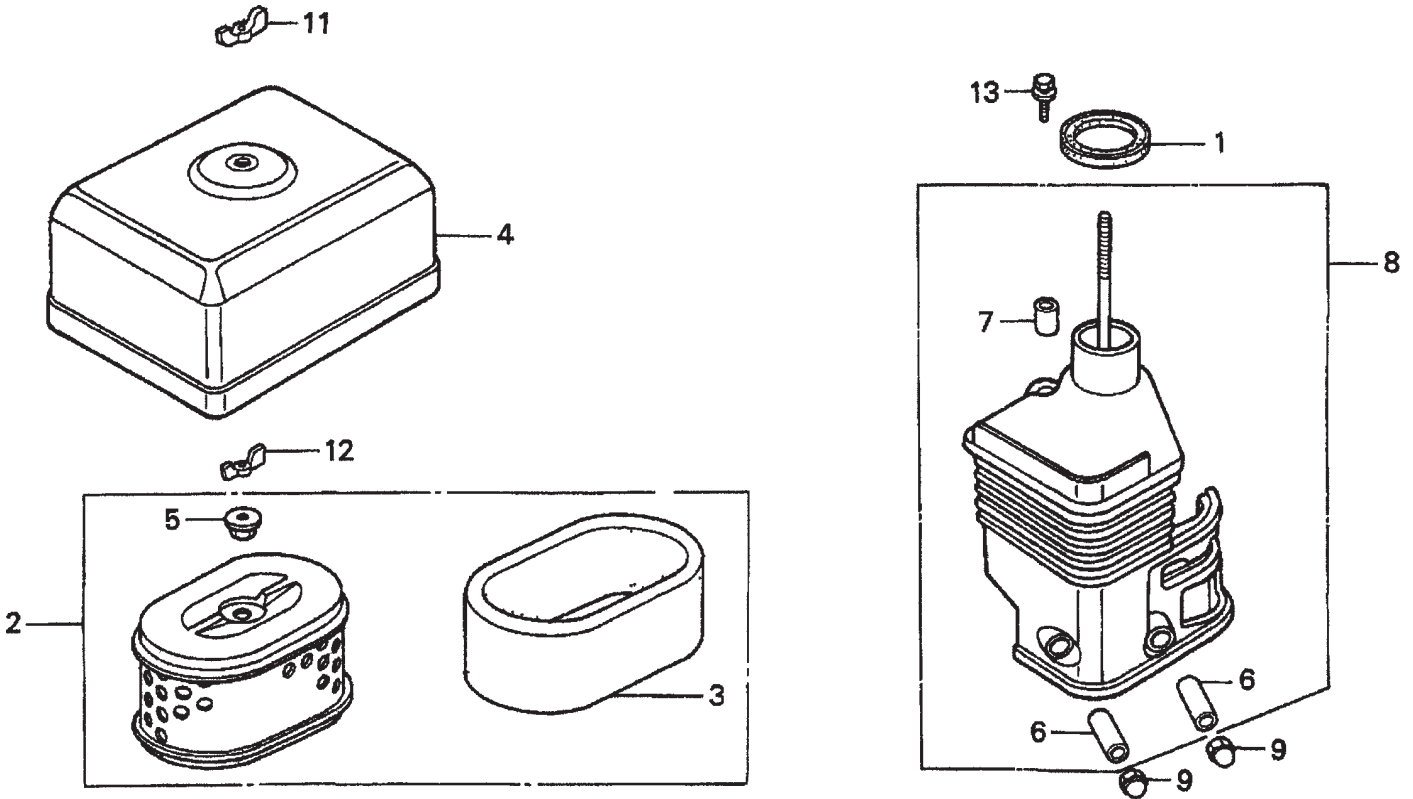
HONDA GX240K1HA2 ENGINE — LABEL ASSY.

LABELS ASSY.

| <u>NO.</u> | <u>PART NO.</u> | <u>PART NAME</u> | <u>QTY.</u> | <u>REMARKS</u> |
|------------|-----------------|-------------------------|-------------|----------------|
| 1 | 87521ZE2W01 | EMBLEM, INTERNAL | 1 | |
| 2 | 87522ZE1810 | MARK, CAUTION, EXTERNAL | 1 | |
| 3 | 87522ZH9000 | LABEL, CAUTION | 1 | |
| 5 | 87528ZE2810 | MARK, CHOKE, EXTERNAL | 1 | |
| 15 | 87586ZH7W00 | LABEL, FUEL CAUTION | 1 | |
| 16 | 87532ZH8810 | MARK, OIL ALERT | 1 | |

HONDA GX160K1HX2 — AIR CLEANER ASSY.

AIR CLEANER ASSY.



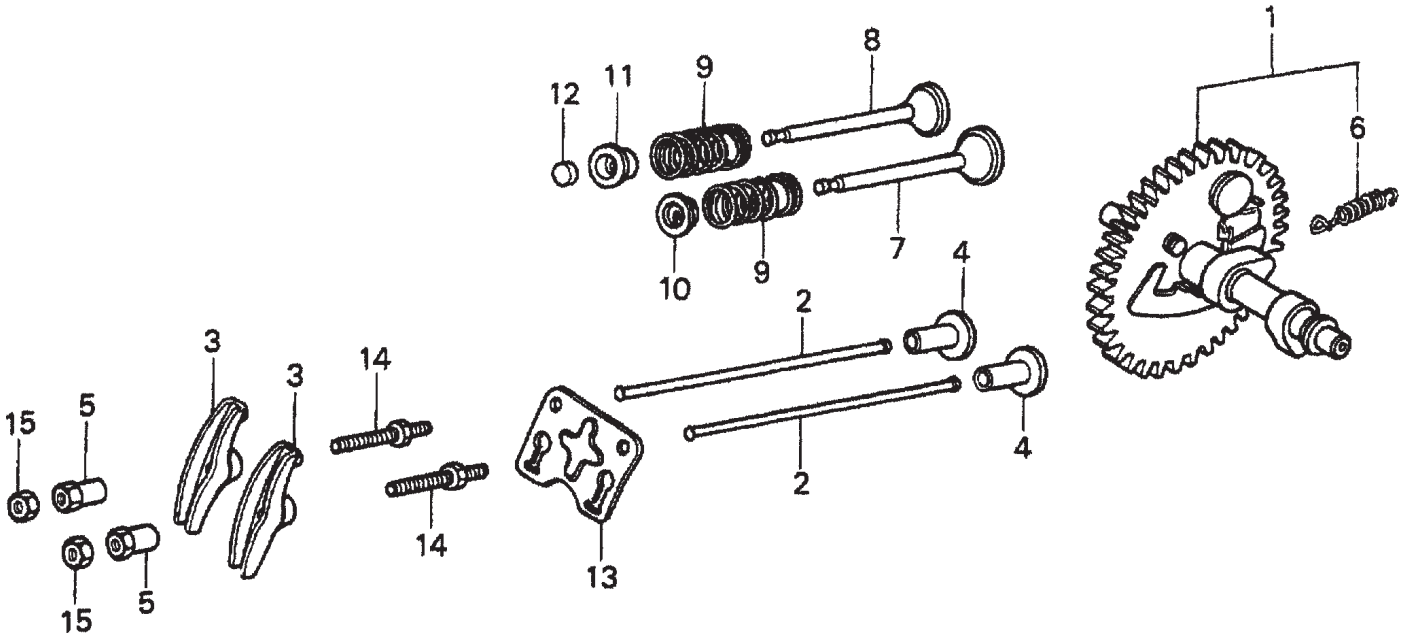
HONDA GX160K1HX2 — AIR CLEANER ASSY.

AIR CLEANER ASSY.

| <u>NO.</u> | <u>PART NO.</u> | <u>PART NAME</u> | <u>QTY.</u> | <u>REMARKS</u> |
|------------|-----------------|-----------------------------------|-------------|----------------------------|
| 1 | 16271ZE1000 | GASKET, ELBOW | 1 | |
| 2 | 17210ZE1517 | ELEMENT, AIR CLEANER (DUAL) | 1 | INCLUDES ITEMS W/* |
| 3* | 17218ZE1505 | FILTER, OUTER | 1 | |
| 4 | 17230ZE1820 | COVER, AIR CLEANER (DUAL) | 1 | |
| 5* | 17232891000 | GROMMET, AIR CLEANER | 1 | |
| 6# | 17238ZE7010 | COLLAR, AIR CLEANER | 2 | |
| 7# | 17239ZE1000 | COLLAR B, AIR CLEANER | 1 | |
| 8 | 17410ZE1020 | ELBOW, AIR CLEANER | 1 | INCLUDES ITEMS W/# |
| 9 | 9405006000 | NUT, CAP 6MM | 2 | |
| 11 | 90325044000 | WINGNUT, TOOL BOX SETTING | 1 | USE FROM ENGINE SN 2836834 |
| 12 | 90325044000 | WINGNUT, TOOL BOX SETTING | 1 | |
| 13 | 957010602000 | BOLT, FLANGE 6 X 20 | 1 | USE FROM ENGINE SN 3385102 |

HONDA GX160K1HX2 — CAMSHAFT ASSY.

CAMSHAFT ASSY.



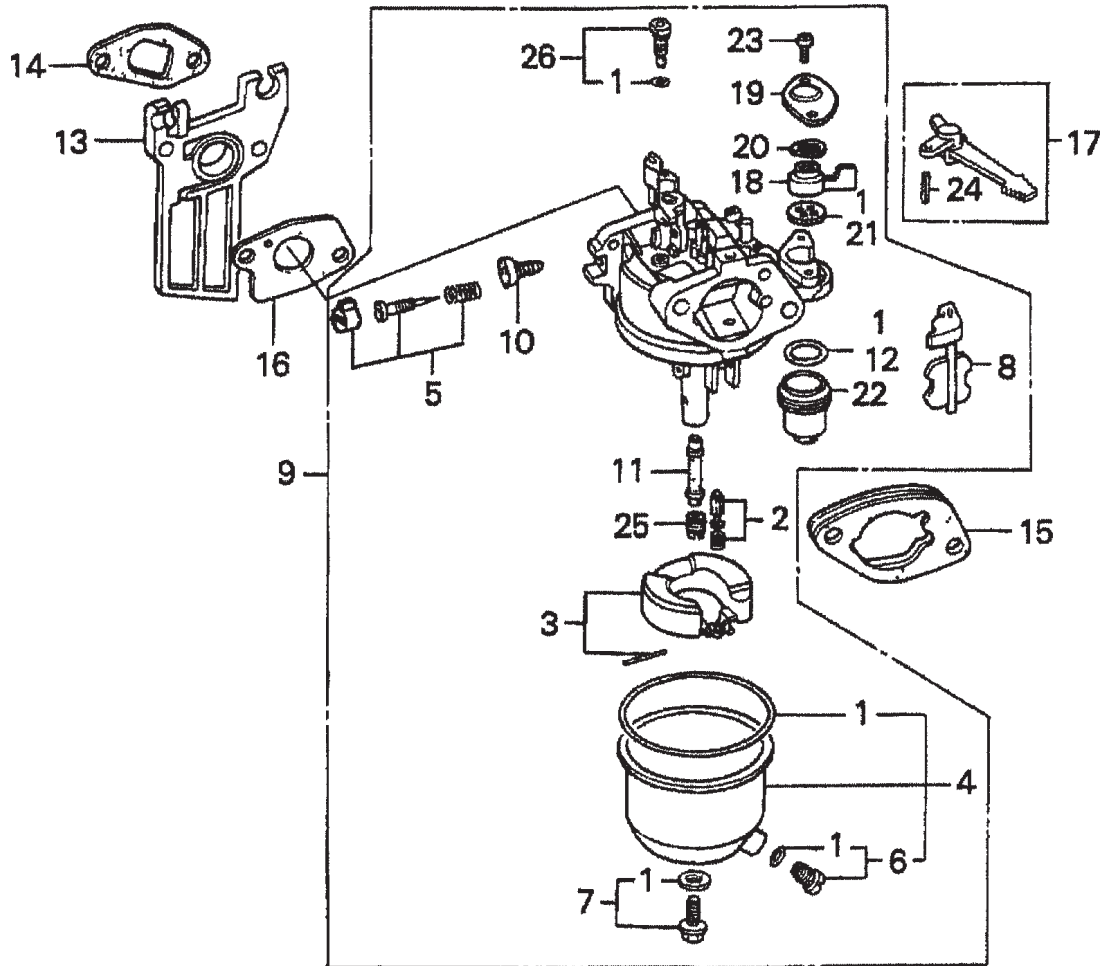
HONDA GX160K1HX2 — CAMSHAFT ASSY.

CAMSHAFT ASSY.

| <u>NO.</u> | <u>PART NO.</u> | <u>PART NAME</u> | <u>QTY.</u> | <u>REMARKS</u> |
|------------|-----------------|--------------------------------|-------------|--------------------|
| 1 | 14100ZE1812 | CAMSHAFT ASSEMBLY | 1 | INCLUDES ITEMS W/* |
| 2 | 14410ZE1010 | ROD, PUSH | 2 | |
| 3 | 14431ZE1000 | ARM, VALVE ROCKER | 2 | |
| 4 | 14441ZE1010 | LIFTER, VALVE | 2 | |
| 5 | 14451ZE1013 | PIVOT, ROCKER ARM | 2 | |
| 6* | 14568ZE1000 | SPRING, WEIGHT RETURN | 1 | |
| 7 | 14711ZF1000 | VALVE, INTAKE | 1 | |
| 8 | 14721ZF1000 | VALVE, EXHAUST | 1 | |
| 9 | 14751ZF1000 | SPRING VALVE | 2 | |
| 10 | 14771ZE1000 | RETAINER, INTAKE VALVE SPRING | 1 | |
| 11 | 14773ZE1000 | RETAINER, EXHAUST VALVE SPRING | 1 | |
| 12 | 14781ZE1000 | ROTATOR, VALVE | 1 | |
| 13 | 14791ZE1010 | PLATE, PUSH ROD GUIDE | 1 | |
| 14 | 90012ZE0010 | BOLT, PIVOT 8MM | 2 | |
| 15 | 90206ZE1000 | NUT, PIVOT ADJ. | 2 | |

HONDA GX160K1HX2 — CARBURETOR ASSY.

CARBURETOR ASSY.



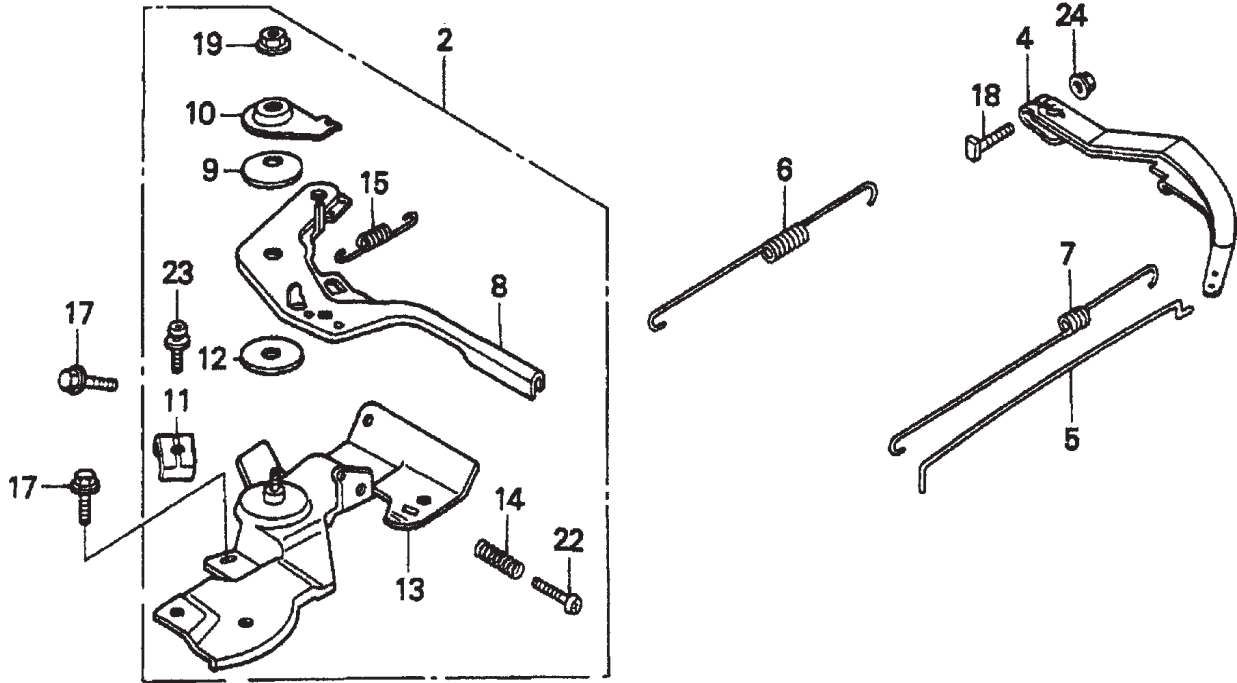
HONDA GX160K1HX2 — CARBURETOR ASSY.

CARBURETOR ASSY.

| <u>NO.</u> | <u>PART NO.</u> | <u>PART NAME</u> | <u>QTY.</u> | <u>REMARKS</u> |
|------------|-----------------|------------------------------------|-------------|---|
| 1*#+%■ | 16010ZE1812 | GASKET SET | 1 | |
| 2* | 16011ZE0005 | VALVE SET, FLOAT | 1 | |
| 3 | 16013ZE0005 | FLOAT SET | 1 | |
| 4* | 16015ZE0831 | CHAMBER SET, FLOAT | 1 | INCLUDES ITEMS/# USE FROM ENGINE SN BE65B B |
| 5* | 16016ZH7W01 | SCREW SET | 1 | |
| 6*# | 16024ZE1811 | SCREW SET, DRAIN | 1 | INCLUDES ITEM W/+ |
| 7* | 16028ZE0005 | SCREW SET B | 1 | INCLUDES ITEM W/% |
| 8* | 16044ZE0005 | CHOKE SET | 1 | |
| 9 | 16100ZH8W51 | CARBURETOR ASSEMBLY, BE65B B | 1 | INCLUDES ITEMS/* |
| 10* | 16124ZE0005 | SCREW, THROTTLE STOP | 1 | |
| 11* | 16166ZH8W50 | NOZZLE, MAIN | 1 | |
| 12* | 16173001004 | O- RING | 1 | |
| 13 | 16211ZE1000 | INSULATOR, CARBURETOR | 1 | |
| 14 | 16212ZH8800 | GASKET, INSULATOR | 1 | |
| 15 | 16220ZE1020 | SPACER, CARBURETOR | 1 | |
| 16 | 16221ZH8801 | GASKET, CARBURETOR | 1 | |
| 17 | 16610ZE1000 | LEVER, CHOKE STANDARD | 1 | INCLUDES ITEM W/\$ |
| 18* | 16953ZE1812 | LEVER, VALVE | 1 | |
| 19 | 16954ZE1812 | PLATE, LEVER SETTING | 1 | USE FROM ENGINE SN BE65B B |
| 20* | 16956ZE1811 | SPRING, VALVE LEVER | 1 | |
| 21* | 16957ZE1812 | GASKET, VALVE | 1 | |
| 22* | 16967ZE0811 | CUP, FUEL STRAINER | 1 | |
| 23* | 93500030060H | SCREW, PAN 3 X 6 | 2 | USE FROM ENGINE SN BE65B B |
| 24\$ | 9430520122 | PIN, SPRING 2 X 12 | 1 | |
| 25* | 99101ZH80650 | JET, MAIN #65 (OPTIONAL) | 1 | |
| 25* | 99101ZH80680 | JET, MAIN #68 (OPTIONAL) | 1 | |
| 26* | 99204ZE00350 | JET SET, PILOT #35 | 1 | INCLUDES ITEM W/■ |

HONDA GX160K1HX2 — CONTROL ASSY.

CONTROL ASSY.



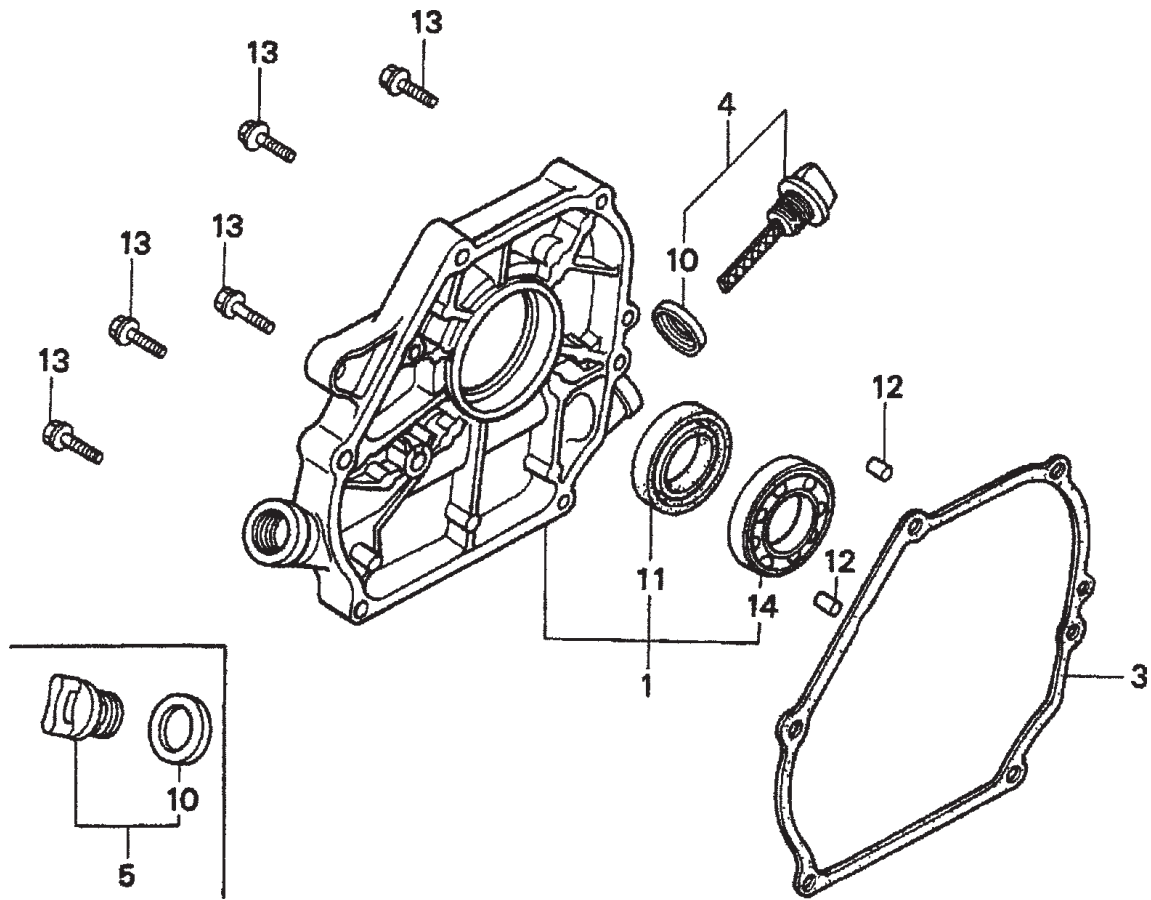
HONDA GX160K1HX2 — CONTROL ASSY.

CONTROL ASSY.

| <u>NO.</u> | <u>PART NO.</u> | <u>PART NAME</u> | <u>QTY.</u> | <u>REMARKS</u> |
|------------|-----------------|--------------------------------|-------------|--------------------|
| 2 | 16500ZH8823 | CONTROL ASSEMBLY, REMOTE | 1 | INCLUDES ITEMS W/* |
| 4 | 16551ZL0000 | ARM, GOVERNOR | 1 | |
| 5 | 16555ZE1000 | ROD, GOVERNOR | 1 | |
| 6 | 16561ZE1020 | SPRING GOVERNOR | 1 | |
| 7 | 16562ZE1020 | SPRING, THROTTLE RETURN | 1 | |
| 8* | 16571ZH8020 | LEVER, CONTROL | 1 | |
| 9* | 16574ZE1000 | SPRING, LEVR | 1 | |
| 10* | 16575ZH8000 | WASHER, CONTROL LEVER | 1 | |
| 11* | 16576891000 | HOLDER, CABLE | 1 | |
| 12* | 16578ZE1000 | SPACER, CONTROL LEVER | 1 | |
| 13* | 16580ZH8812 | BASE, CONTROL (REMOTE) | 1 | |
| 14* | 16584883300 | SPRING, CONTROL ADJUSTING | 1 | |
| 15* | 16592ZE1810 | SPRING, CABLE RETURN | 1 | |
| 17 | 90013883000 | BOLT, FLANGE 6 X 12 (CT200) | 2 | |
| 18 | 90016ZE5010 | BOLT, GOVERNOR ARM | 1 | |
| 19* | 90114SA0000 | NUT, SELF- LOCK 6MM | 1 | |
| 22* | 93500050250H | SCREW, PAN 5 X 25 | 1 | |
| 23* | 938930501600 | SCREW, WASHER 5 X 16 | 1 | |
| 24 | 9405006000 | NUT, FLANGE 6MM | 1 | |

HONDA GX160K1HX2 — CRANKCASE COVER ASSY.

CRANKCASE COVER ASSY.



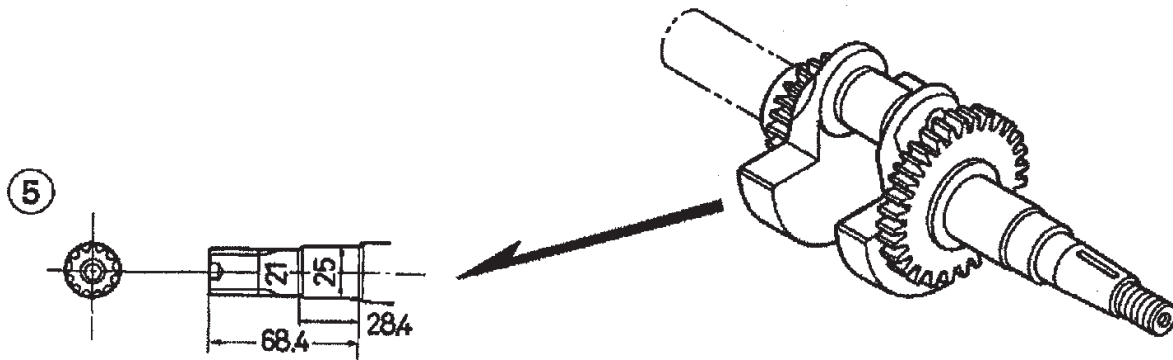
HONDA GX160K1HX2 — CRANKCASE COVER ASSY.

CRANKCASE COVER ASSY.

| <u>NO.</u> | <u>PART NO.</u> | <u>PART NAME</u> | <u>QTY.</u> | <u>REMARKS</u> |
|------------|-----------------|---|-------------|--------------------|
| 1 | 11300ZE1641 | COVER ASSEMBLY, CRANKCASE (U- TYPE) | 1 | INCLUDES ITEMS W/* |
| 3 | 11381ZH8801 | GASKET, CASE COVER (NON- ASBESTOS) | 1 | |
| 4 | 15600ZE1003 | CAP ASSEMBLY, OIL FILLER | 1 | INCLUDES ITEMS W/# |
| 5 | 15600ZG4003 | CAP ASSEMBLY, OIL FILLER | 1 | INCLUDES ITEMS W/% |
| 10%# | 15625ZE1003 | GASKET, OIL FILLER CAP | 1 | |
| 11* | 91202883005 | OIL SEAL 25 X 41 X 6 | 1 | |
| 12 | 9430108140 | PIN A, DOWEL 8 X 14 | 2 | |
| 13 | 957010803200 | BOLT, FLANGE 8 X 32 | 6 | |
| 14* | 961006205010 | BEARING, RADIAL BALL 6205 | 1 | |

HONDA GX160K1HX2 — CRANKSHAFT ASSY.

CRANKSHAFT ASSY.



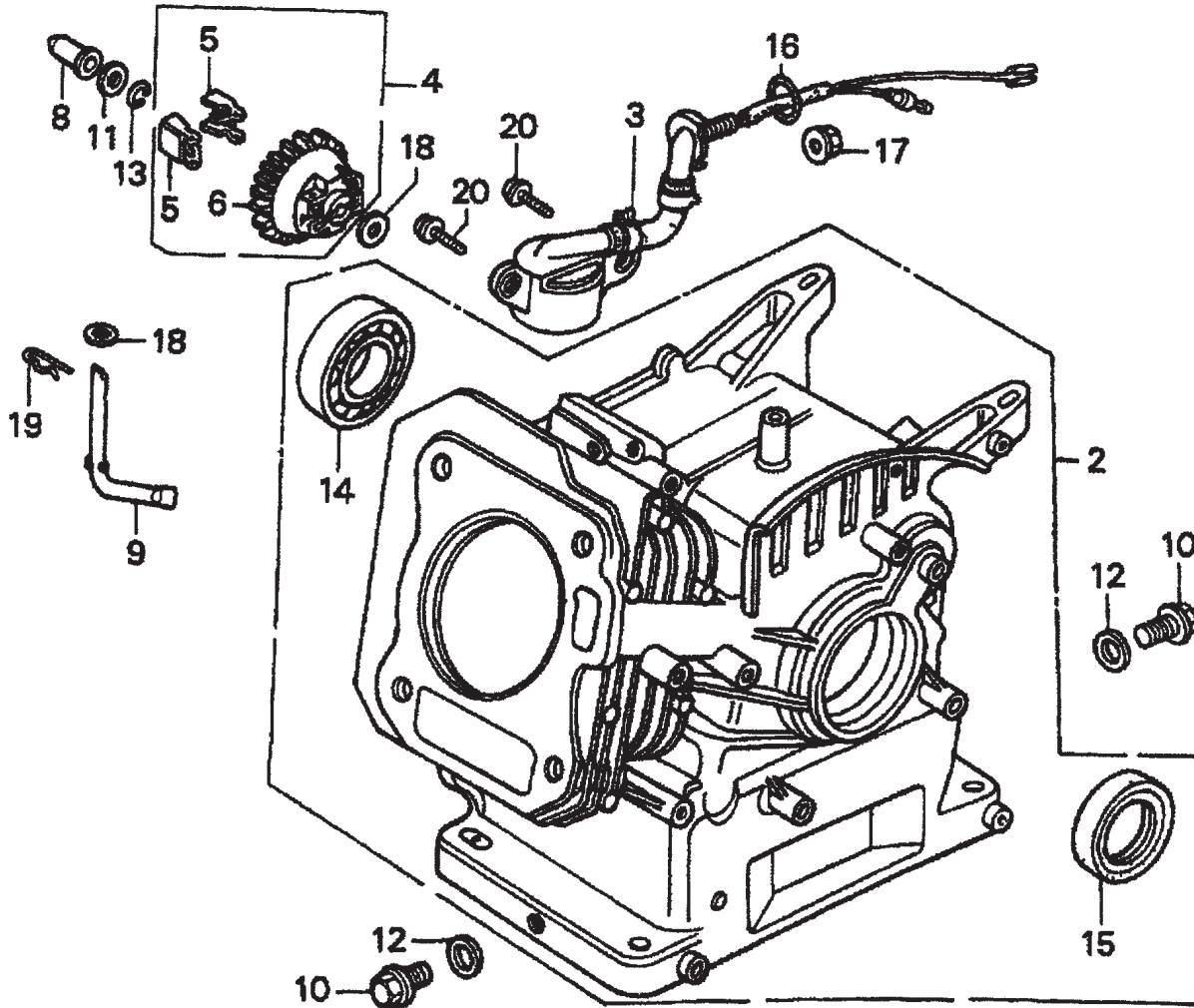
HONDA GX160K1HX2 — CRANKSHAFT ASSY.

CRANKSHAFT ASSY.

| <u>NO.</u> | <u>PART NO.</u> | <u>PART NAME</u> | <u>QTY.</u> | <u>REMARKS</u> |
|------------|-----------------|---------------------|-------------|----------------|
| 3 | 13310ZE1622 | CRANKSHAFT, Q- TYPE | 1 | |

HONDA GX160K1HX2 — CYLINDER BARREL ASSY.

CYLINDER BARREL ASSY.



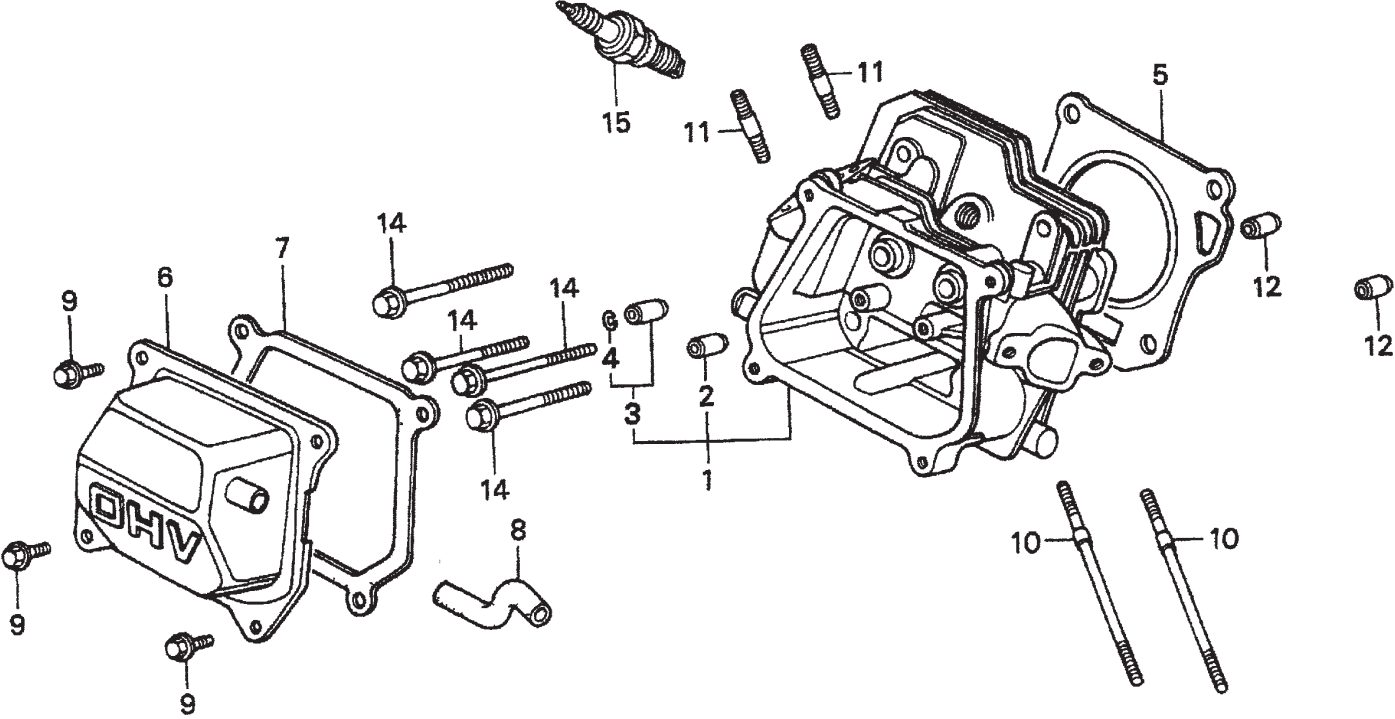
HONDA GX160K1HX2 — CYLINDER BARREL ASSY.

CYLINDER BARREL ASSY.

| <u>NO.</u> | <u>PART NO.</u> | <u>PART NAME</u> | <u>QTY.</u> | <u>REMARKS</u> |
|------------|-----------------|------------------------------------|-------------|--------------------|
| 2 | 12000ZH8811 | CYLINDER ASSEMBLY, OIL ALERT | 1..... | INCLUDES ITEMS W/* |
| 3 | 15510ze1033 | SWITCH ASSEMBLY, OIL LEVEL | | |
| 4 | 16510ZE1000 | GOVERNOR ASSEMBLY | 1..... | INCLUDES ITEMS W/# |
| 5# | 16511ZE1000 | WEIGHT, GOVERNOR | 2 | |
| 6# | 16512ZE1000 | HOLDER, GOVERNOR WEIGHT | 1 | |
| 8 | 16531ZE1000 | SLIDER, GOVERNOR | 1 | |
| 9 | 16541ZE1000 | SHAFT, GOVERNOR ARM | 1 | |
| 10 | 90131ZE1000 | BOLT, DRAIN PLUG | 2 | |
| 11 | 80451ZE1000 | WASHER, THRUST 6MM | 1 | |
| 12 | 90601ZE1000 | WASHER, DRAIN PLUG 10.2MM | 2 | |
| 13 | 90602ZE1000 | CLIP, GOVERNOR HOLDER | 1 | |
| 14* | 91001ZF1003 | BEARING, RADIAL BALL 6205 | 1 | |
| 15* | 91202883005 | OIL SEAL 25 X 41 X 6 | 1 | |
| 16 | 91353671003 | O- RING 13.5 X 1.5 (ARAI) | 1 | |
| 17 | 9405010000 | NUT, FLANGE 10MM | 1 | |
| 18 | 9410106800 | WASHER, PLAIN 6MM | 2 | |
| 19 | 9425108000 | PIN, LOCK 8MM | 1 | |
| 20 | 957010601200 | BOLT, FLANGE 6 X 12 | 2 | |

HONDA GX160K1HX2 — CYLINDER HEAD ASSY.

CYLINDER HEAD ASSY.



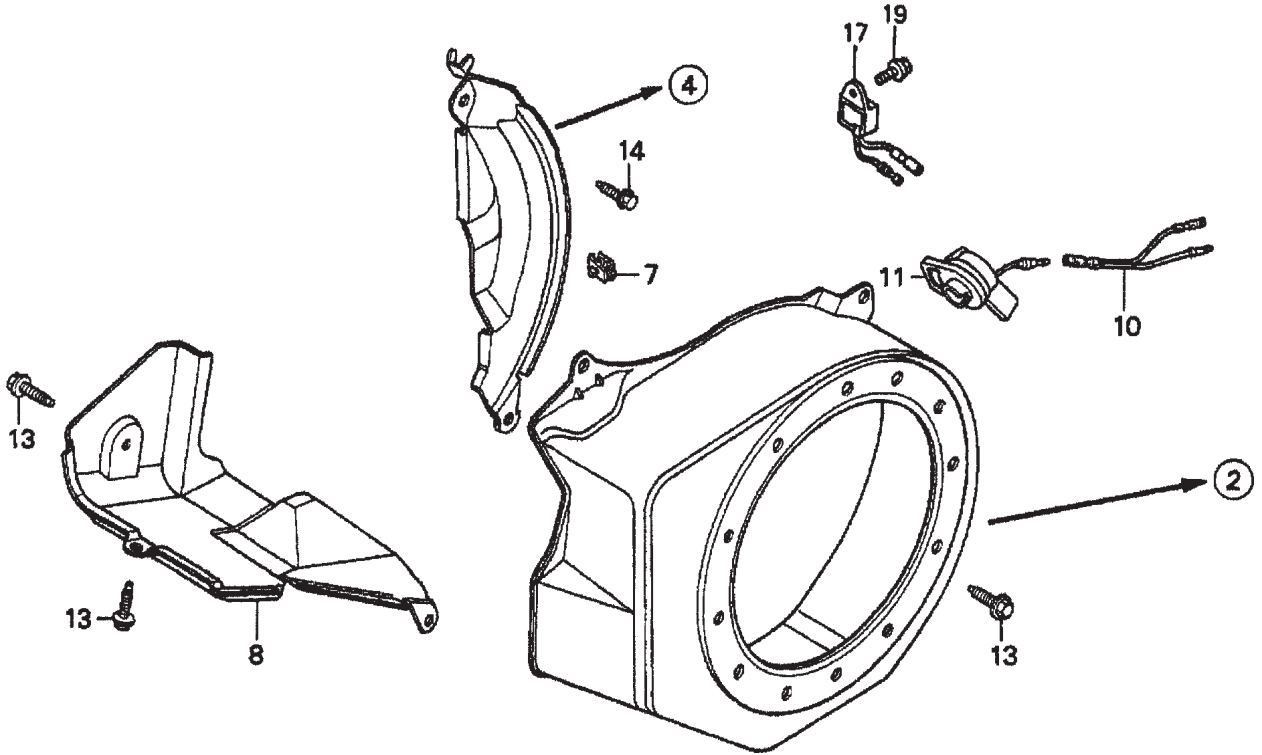
HONDA GX160K1HX2 — CYLINDER HEAD ASSY.

CYLINDER HEAD ASSY.

| <u>NO.</u> | <u>PART NO.</u> | <u>PART NAME</u> | <u>QTY.</u> | <u>REMARKS</u> |
|------------|-----------------|--|-------------|--------------------|
| 1 | 12210ZH8000 | CYLINDER HEAD | 1 | INCLUDES ITEMS W/* |
| 2* | 12204ZE1306 | GUIDE, VALVE OS (OPTIONAL | 1 | |
| 3* | 12205ZE1315 | GUIDE, EXHAUST VALVE OS (OPTIONAL) | 1 | INCLUDES ITEM W/% |
| 4%* | 12216ZE5300 | CLIP, VALVE GUIDE | 1 | |
| 5 | 12251ZF1800 | GASKET, CYLINDER HEAD | 1 | |
| 6 | 12310ZE1020 | COVER, HEAD | 1 | |
| 7 | 12391ZE1000 | GASKET, CYLINDER HEAD COVER | 1 | |
| 8 | 15721ZH8000 | TUBE, BREATHER | 1 | |
| 9 | 90016ZE1000 | BOLT, FLANGE 6 X13 | 4 | |
| 10 | 90043ZE1020 | BOLT, STUD 6 X109 | 2 | |
| 11 | 90047ZE1000 | BOLT, STUD 8 X 32 | 2 | |
| 12 | 9430110160 | PIN A, DOWEL 10 X16 | 2 | |
| 14 | 957230806000 | BOLT, FLANGE 8 X60 | 4 | |
| 15 | 9807956846 | SPARK PLUG BPR6ES (NGK) | 1 | |

HONDA GX160K1HX2 — FAN COVER ASSY.

FAN COVER ASSY.



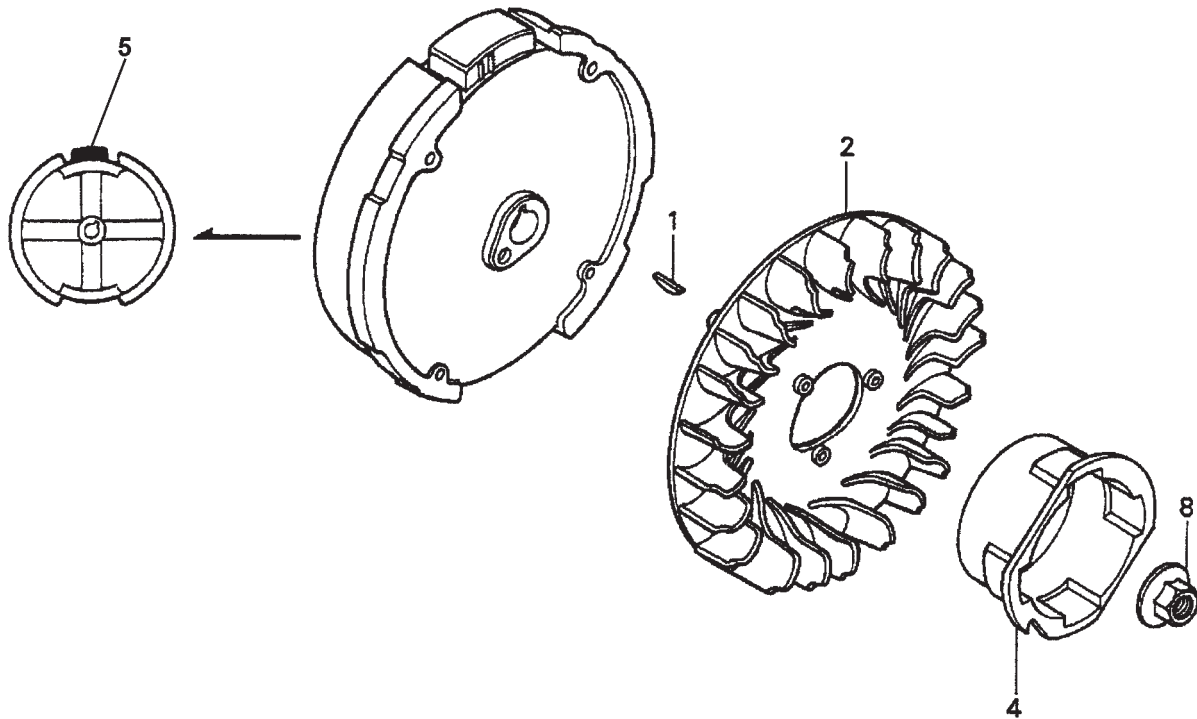
HONDA GX160K1HX2 — FAN COVER ASSY.

FAN COVER ASSY.

| <u>NO.</u> | <u>PART NO.</u> | <u>PART NAME</u> | <u>QTY.</u> | <u>REMARKS</u> |
|------------|-----------------|------------------------------|-------------|----------------|
| 2 | 19610ZE1000ZC | COVER, FAN "NH1" (BLACK) | 1 | |
| 4 | 19611ZH8810 | PLATE, SIDE (OIL ALERT) | 1 | |
| 7 | 90601ZH7013 | CLIP, HARNESS | 1 | |
| 8 | 19630ZH8000 | SHROUD | 1 | |
| 10 | 32197ZH8003 | SUB- HARNESS | 1 | |
| 11 | 36100ZE1015 | SWITCH ASSEMBLY, ENGINE STOP | 1 | |
| 13 | 90013883000 | BOLT, FLANGE 6 X12 (CT200) | 6 | |
| 14 | 90022888010 | BOLT, FLANGE 6 X20 (CT200) | 1 | |
| 17 | 34150ZH7003 | ALERT UNIT, OIL | 1 | |
| 19 | 957010600800 | BOLT, FLANGE 6 X8 | 1 | |

HONDA GX160K1HX2 — FLYWHEEL ASSY.

FLYWHEEL ASSY.



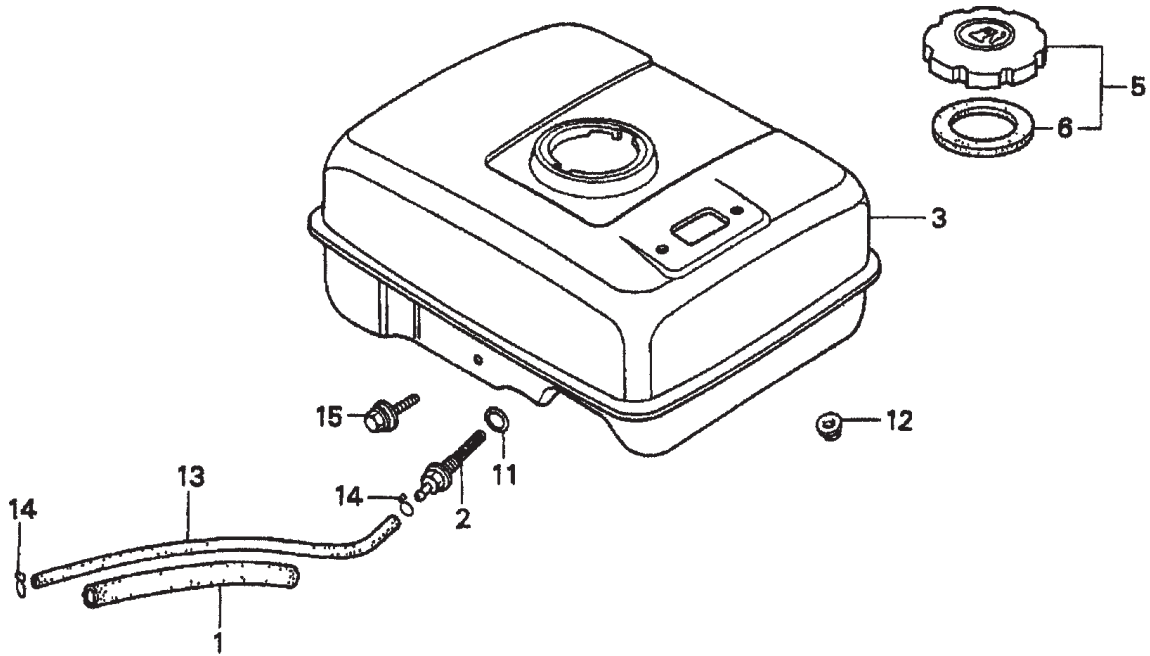
HONDA GX160K1HX2 — FLYWHEEL ASSY.

FLYWHEEL ASSY.

| <u>NO.</u> | <u>PART NO.</u> | <u>PART NAME</u> | <u>QTY.</u> | <u>REMARKS</u> |
|------------|-----------------|--------------------------------|-------------|----------------|
| 1 | 13331357000 | KEY, SPECIAL WOODRUFF (25 X18) | 1 | |
| 2 | 19511ZE1000 | FAN, COOLING | 1 | |
| 4 | 28451ZH8003 | PULLEY, STARTER | 1 | |
| 5 | 31100ZE1010 | FLYWHEEL | 1 | |
| 5 | 31100ZE1810 | FLYWHEEL, LAMP | 1 | |
| 8 | 90201878003 | NUT, SPECIAL 14MM | 1 | |

HONDA GX160K1HX2 — FUEL TANK ASSY.

FUEL TANK ASSY.



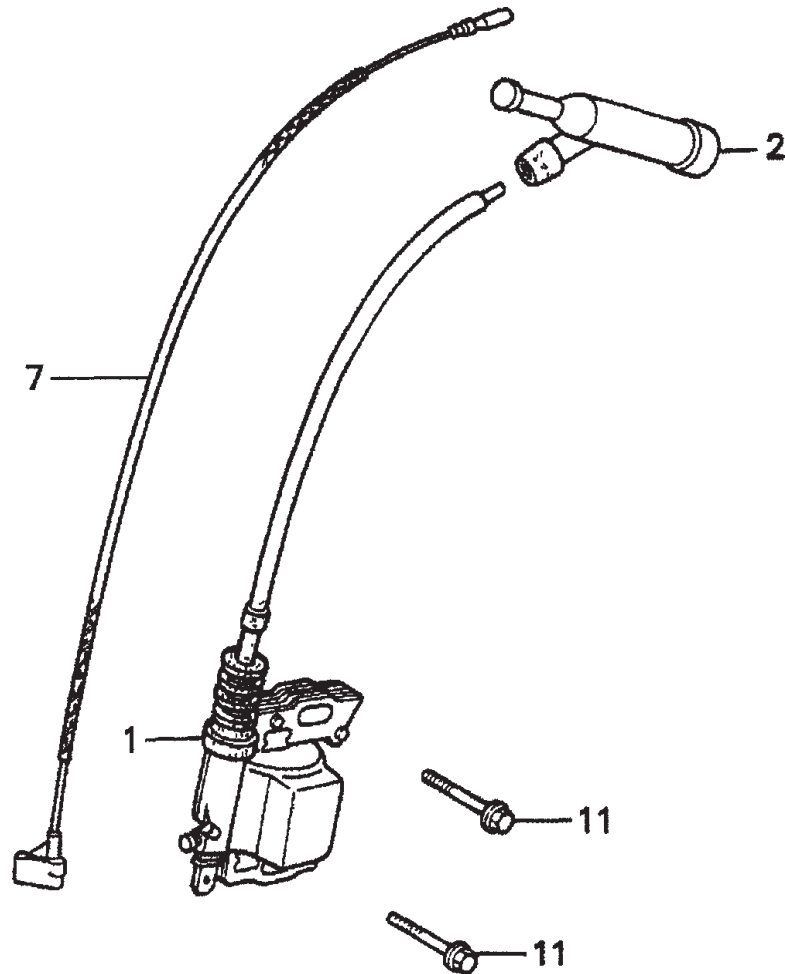
HONDA GX160K1HX2 — FUEL TANK ASSY.

FUEL TANK ASSY.

| <u>NO.</u> | <u>PART NO.</u> | <u>PART NAME</u> | <u>QTY.</u> | <u>REMARKS</u> |
|------------|-----------------|--|-------------|-------------------|
| 1 | 16854ZH8000 | RUBBER, SUPPORTER 107MM | 1 | |
| 2 | 16955ZE1000 | JOINT, FUEL TANK | 1 | |
| 3 | 17510ZE1020ZB | TANK, FUEL *R8* (BRIGHT RED) | 1 | |
| 3 | 17510ZE1020ZF | TANK, FUEL *NH1* (BLACK) | 1 | |
| 5 | 17620ZH7023 | CAP, FUEL FILLER | 1 | INCLUDES ITEM W/* |
| 6* | 17631ZH7003 | GASKET, FUEL FILLER CAP | 1 | |
| 11 | 91353671003 | O- RING 13.5 X1.5 (ARAI) | 1 | |
| 12 | 9405006000 | NUT, FLANGE 6MM | 2 | |
| 13 | 950014500360M | BULK HOSE, FUEL 4.5 X 3000 (4.5 X 140) | 1 | |
| 14 | 9500202080 | CLIP, TUBE B8 | 2 | |
| 15 | 957010602500 | BOLT, FLANGE 6 X 25 | 1 | |

HONDA GX160K1HX2 — IGNITION COIL ASSY.

IGNITION COIL ASSY.



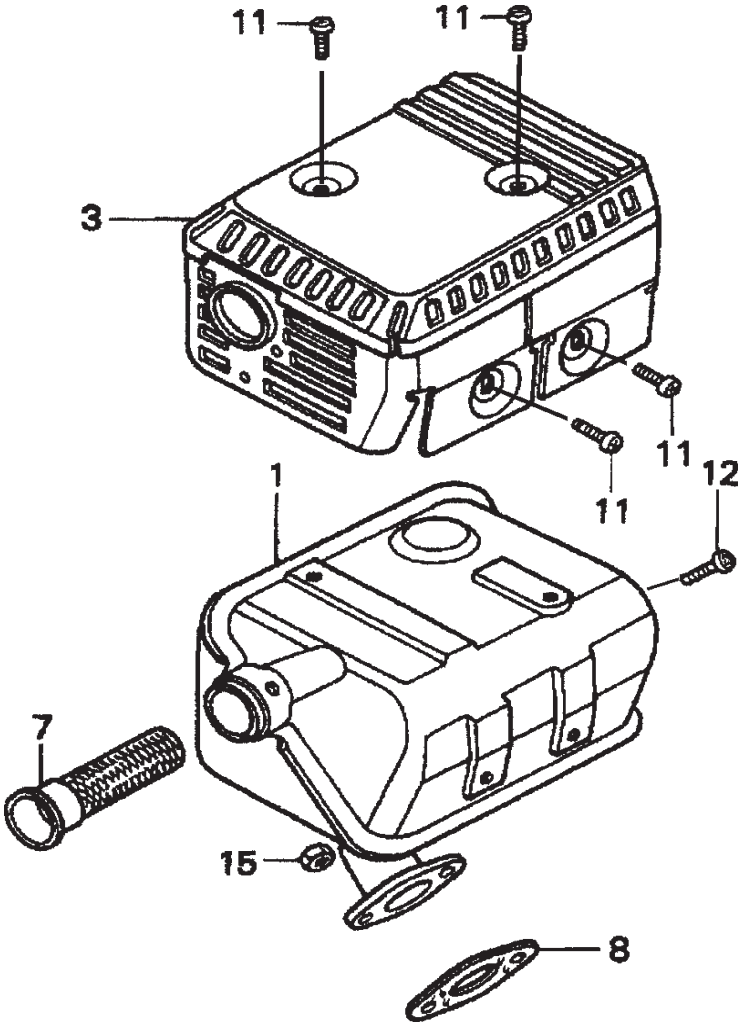
HONDA GX160K1HX2 — IGNITION COIL ASSY.

IGNITION COIL ASSY.

| <u>NO.</u> | <u>PART NO.</u> | <u>PART NAME</u> | <u>QTY.</u> | <u>REMARKS</u> |
|------------|-----------------|--------------------------------|-------------|----------------|
| 1 | 30500ZE1043 | COIL ASSEMBLY, IGNITION | 1 | |
| 2 | 30700ZE1013 | CAP ASSEMBLY, NOISE SUPPRESSOR | 1 | |
| 7 | 36101ZE1010 | WIRE, STOP SWITCH 370MM | 1 | |
| 11 | 957010602500 | BOLT, FLANGE 6 X25 | 2 | |

HONDA GX160K1HX2 — MUFFLER ASSY.

MUFFLER ASSY.



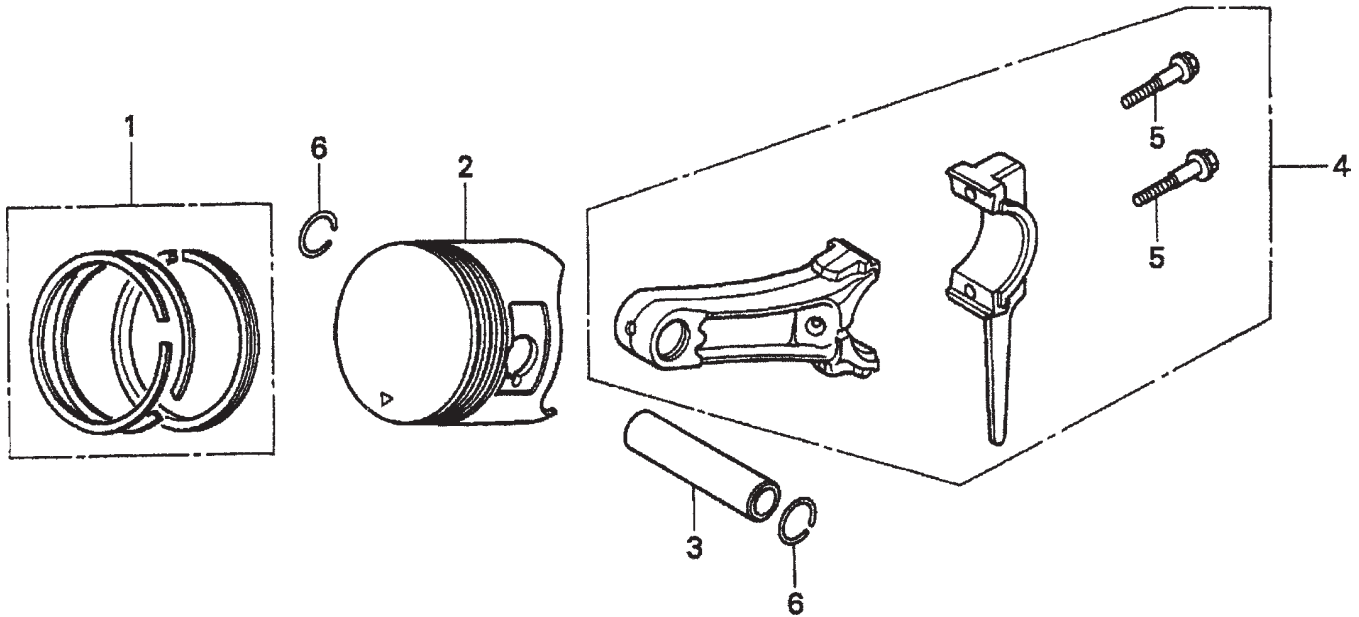
HONDA GX160K1HX2 — MUFFLER ASSY.

MUFFLER ASSY.

| <u>NO.</u> | <u>PART NO.</u> | <u>PART NAME</u> | <u>QTY.</u> | <u>REMARKS</u> |
|------------|-----------------|---------------------------------|-------------|----------------|
| 1 | 18310ZF1000 | MUFFLER | 1 | |
| 1 | 18310ZH8810 | MUFFLER (OPTIONAL) | 1 | |
| 3 | 18320ZF1H01 | PROTECTOR, MUFFLER | 1 | |
| 7 | 18355ZE1000 | ARRESTER, SPARK (OPTIONAL) | 1 | |
| 8 | 18381ZH8800 | GASKET, MUFFLER | 1 | |
| 11 | 90050ZE1000 | SCREW, TAPPING 5 X 8 (OPTIONAL) | 4 | |
| 12 | 90055ZE1000 | SCREW, TAPPING 4 X 6 (OPTIONAL) | 1 | |
| 15 | 020108060 | NUT, HEX. 8MM | 2 | |

HONDA GX160K1HX2 — PISTON ASSY.

PISTON ASSY.



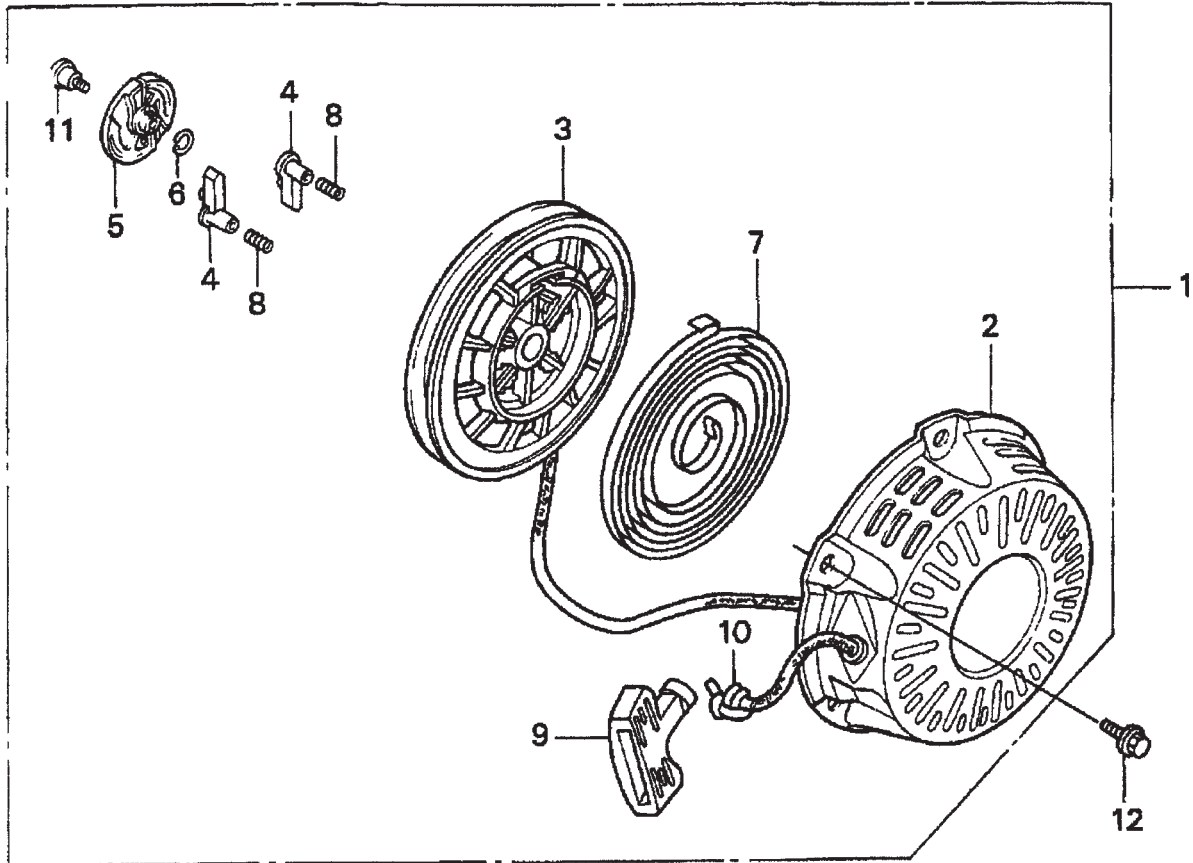
HONDA GX160K1HX2 — PISTON ASSY.

PISTON ASSY.

| <u>NO.</u> | <u>PART NO.</u> | <u>PART NAME</u> | <u>QTY.</u> | <u>REMARKS</u> |
|------------|-----------------|--|-------------|---------------------------|
| 1 | 13010ZF1023 | RING SET, PISTON (STANDARD) | 1 | USE UP TO ENG S/N 5495899 |
| 1 | 13010ZH8941 | RING SET, PISTON (STANDARD) | 1 | USE FROM ENG S/N 5495900 |
| 1 | 13011ZF1023 | RING SET, PISTON (OS 0.25) | 1 | USE UP TO ENG S/N 5495899 |
| 1 | 13011ZH8941 | RING SET, PISTON (OS 0.25), OPTIONAL | 1 | USE FROM ENG S/N 5495900 |
| 1 | 13012ZF1023 | RING SET, PISTON (OS 0.50), OPTIONAL | 1 | USE UP TO ENG S/N 5495899 |
| 1 | 13012ZH8941 | RING SET, PISTON (OS 0.50), OPTIONAL | 1 | USE FROM ENG S/N 5495900 |
| 1 | 13013ZF1023 | RING SET, PISTON (0.75), OPTIONAL | 1 | USE UP TO ENG S/N 5495899 |
| 1 | 13013ZH8941 | RING SET, PISTON (0.75), OPTIONAL | 1 | USE FROM ENG S/N 5495900 |
| 2 | 13101ZH8010 | PISTON (STANDARD) | 1 | |
| 2 | 13102ZH8000 | PISTON (OS 0.25), OPTIONAL | 1 | |
| 2 | 13101ZH8010 | PISTON (OS 0.50), OPTIONAL | 1 | |
| 2 | 13104ZH8000 | PISTON (0.75), OPTIONAL | 1 | |
| 3 | 13111ZE1000 | PIN, PISTON | 1 | |
| 4 | 132A0ZE1000 | ROD ASSY., CONNECTING (US 0.25), OPT. | 1 | |
| 4 | 13200ZE1010 | ROD ASSEMBLY, CONNECTING | 1 | |
| 5 | 90001ZE1000 | BOLT, CONNECTING ROD | 2 | |
| 6 | 90551ZE1000 | CLIP, PISTON PIN 18MM | 2 | |

HONDA GX160K1HX2 — RECOIL STARTER ASSY.

RECOIL STARTER ASSY.



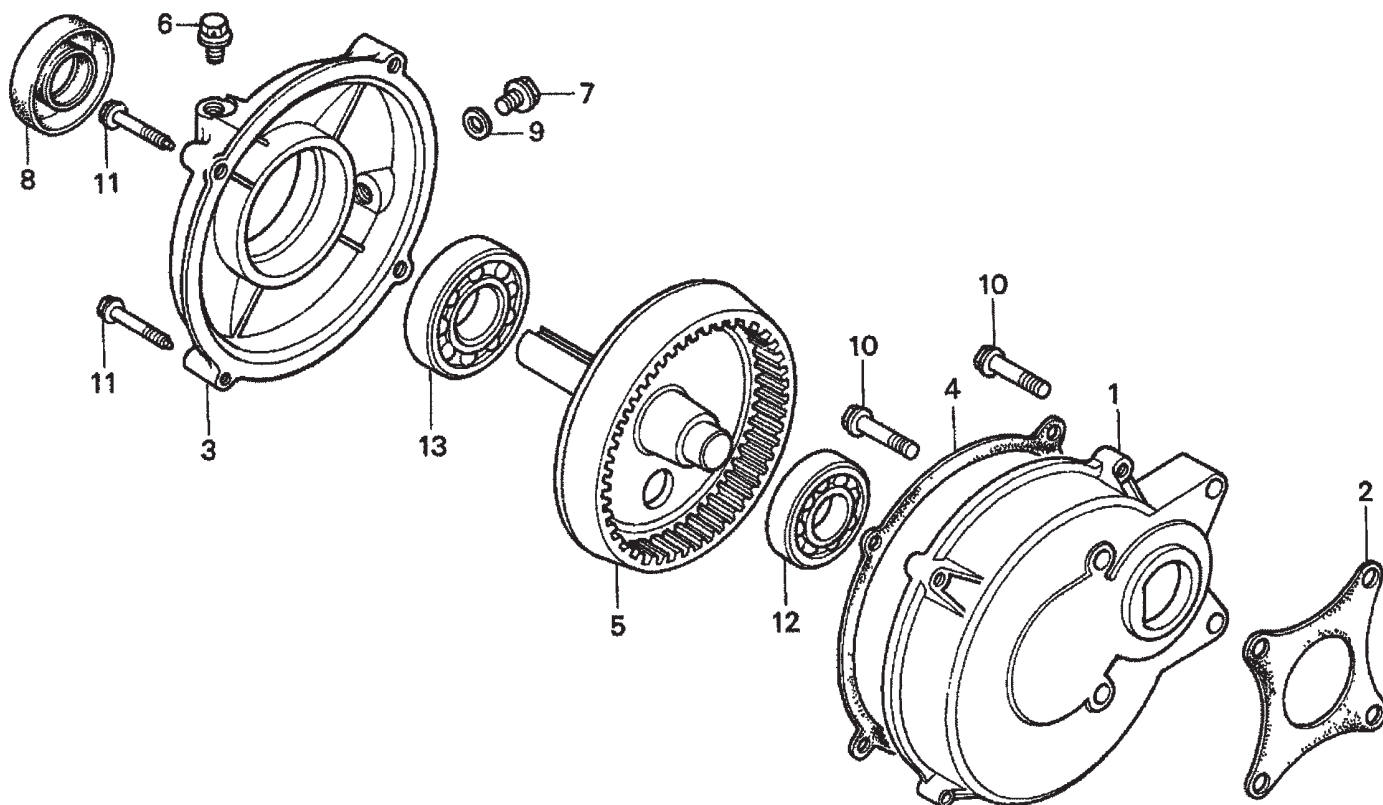
HONDA GX160K1HX2 — RECOIL STARTER ASSY.

RECOIL STARTER ASSY.

| <u>NO.</u> | <u>PART NO.</u> | <u>PART NAME</u> | <u>QTY.</u> | <u>REMARKS</u> |
|------------|-----------------|---|-------------|-------------------|
| 1 | 28400ZH8013ZB | STARTER ASSY., RECOIL "NH1" BLACK | 1 | INCLUDES ITEM W/* |
| 2* | 28410ZH8003ZB | CASE, RECOIL STARTER "NH1" BLACK | 1 | |
| 3* | 28420ZH8013 | REEL, RECOIL STARTER | 1 | |
| 4* | 28422ZH8013 | RATCHET, STARTER | 2 | |
| 5* | 28433ZH8003 | GUIDE, RATCHET | 1 | |
| 6* | 28441ZH8003 | SPRING, FRICTION | 1 | |
| 7* | 28442ZH8003 | SPRING, RECOIL STARTER | 1 | |
| 8* | 28443ZH8003 | SPRING, RETURN | 2 | |
| 9* | 28461ZH8003 | KNOB, RECOIL STARTER | 1 | |
| 10* | 28462ZH8003 | ROPE, RECOIL STARTER | 1 | |
| 11* | 90003ZH8003 | SCREW, SETTING | 1 | |
| 12 | 90008ZE2003 | BOLT, FLANGE 6 X10 | 3 | |

HONDA GX160K1HX2 — GEAR REDUCTION ASSY.

1/6 GEAR REDUCTION ASSY.



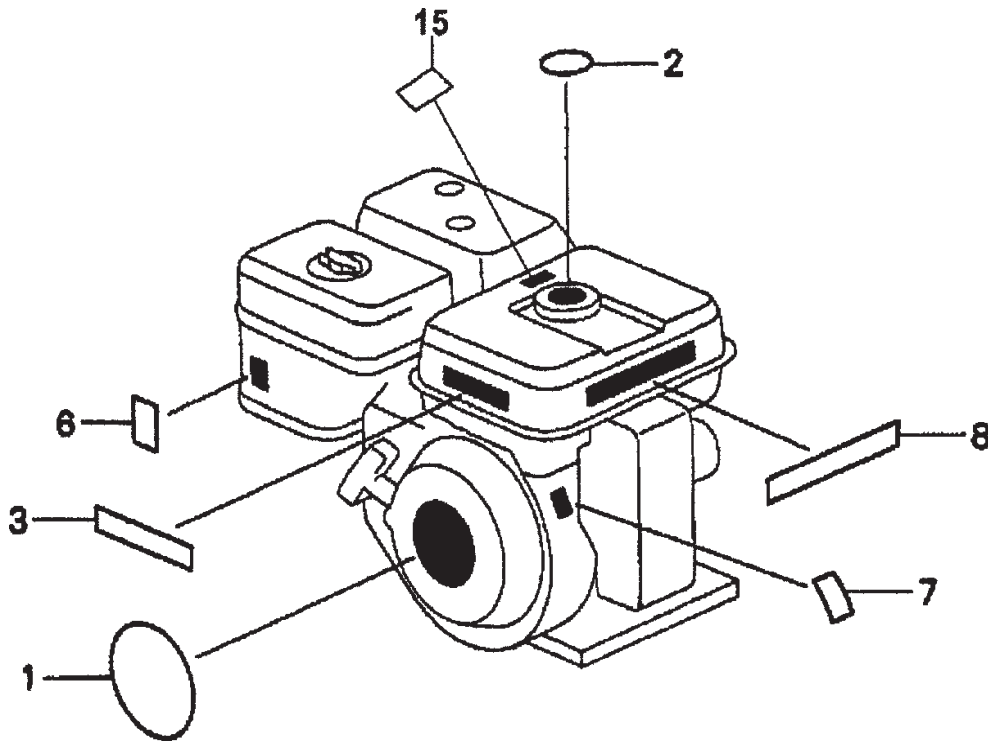
HONDA GX160K1HX2 — GEAR REDUCTION ASSY.

1/6 GEAR REDUCTION ASSY.

| <u>NO.</u> | <u>PART NO.</u> | <u>PART NAME</u> | <u>QTY.</u> | <u>REMARKS</u> |
|------------|-----------------|---------------------------|-------------|----------------|
| 1 | 21521883741 | CASE REDUCTION | 1 | |
| 2 | 21591ZH8740 | GASKET, REDUCTION CASE | 1 | |
| 3 | 21621883741 | COVER, REDUCTION | 1 | |
| 4 | 21692ZH8800 | GASKET, REDUCTION COVER | 1 | |
| 5 | 23710883740 | SHAFT, PTO | 1 | |
| 6 | 90002883740 | BOLT, BREATHING | 1 | |
| 7 | 90131883000 | BOLT, DRAIN | 1 | |
| 7 | 90131896650 | BOLT, DRAIN | 1 | |
| 8 | 91202883005 | OIL SEAL 25 X41 X 6 | 1 | |
| 9 | 9410912000 | WASHER, DRAIN PLUG 12MM | 1 | |
| 10 | 957010803208 | BOLT, FLANGE 8X32 | 4 | |
| 11 | 957010803500 | BOLT, FLANGE 8X35 | 4 | |
| 12 | 961006204000 | BEARING, RADIAL BALL 6204 | 1 | |
| 13 | 961006305000 | BEARING, RADIAL BALL 6305 | 1 | |

HONDA GX160K1HX2 — ENGINE LABELS ASSY.

ENGINE LABELS ASSY.



HONDA GX160K1HX2 — ENGINE LABELS ASSY.

ENGINE LABELS ASSY.

| <u>NO.</u> | <u>PART NO.</u> | <u>PART NAME</u> | <u>QTY.</u> | <u>REMARKS</u> |
|------------|-----------------|---------------------------------|-------------|----------------|
| 1 | 87521ZH8020 | ENBLEM 5.5 | 1 | |
| 3 | 87522ZH9000 | LABEL, CAUTION | 1 | |
| 6 | 87528ZE1810 | MARK, CHOKE | 1 | |
| 7 | 87530ZH8810 | LABEL, SPECIFICATION (EXTERNAL) | 1 | |
| 8 | 87532ZH8810 | MARK, OIL ALERT (E) | 1 | |
| 15 | 887586ZH7W00 | LABEL, FUEL CAUTION | 1 | |