

# PARTS MANUAL



***WHITEMAN* SERIES**  
**MODEL CA4HM**  
**WALK-BEHIND TROWEL**  
**(HONDA GX120K1QX2/GX120UT1QX2**  
**GASOLINE ENGINE)**

Revision #7 (03/17/20)

To find the latest revision of this publication or associated operation manual, visit our website at: [www.multiquip.com](http://www.multiquip.com)



THIS MANUAL MUST ACCOMPANY THE EQUIPMENT AT ALL TIMES.

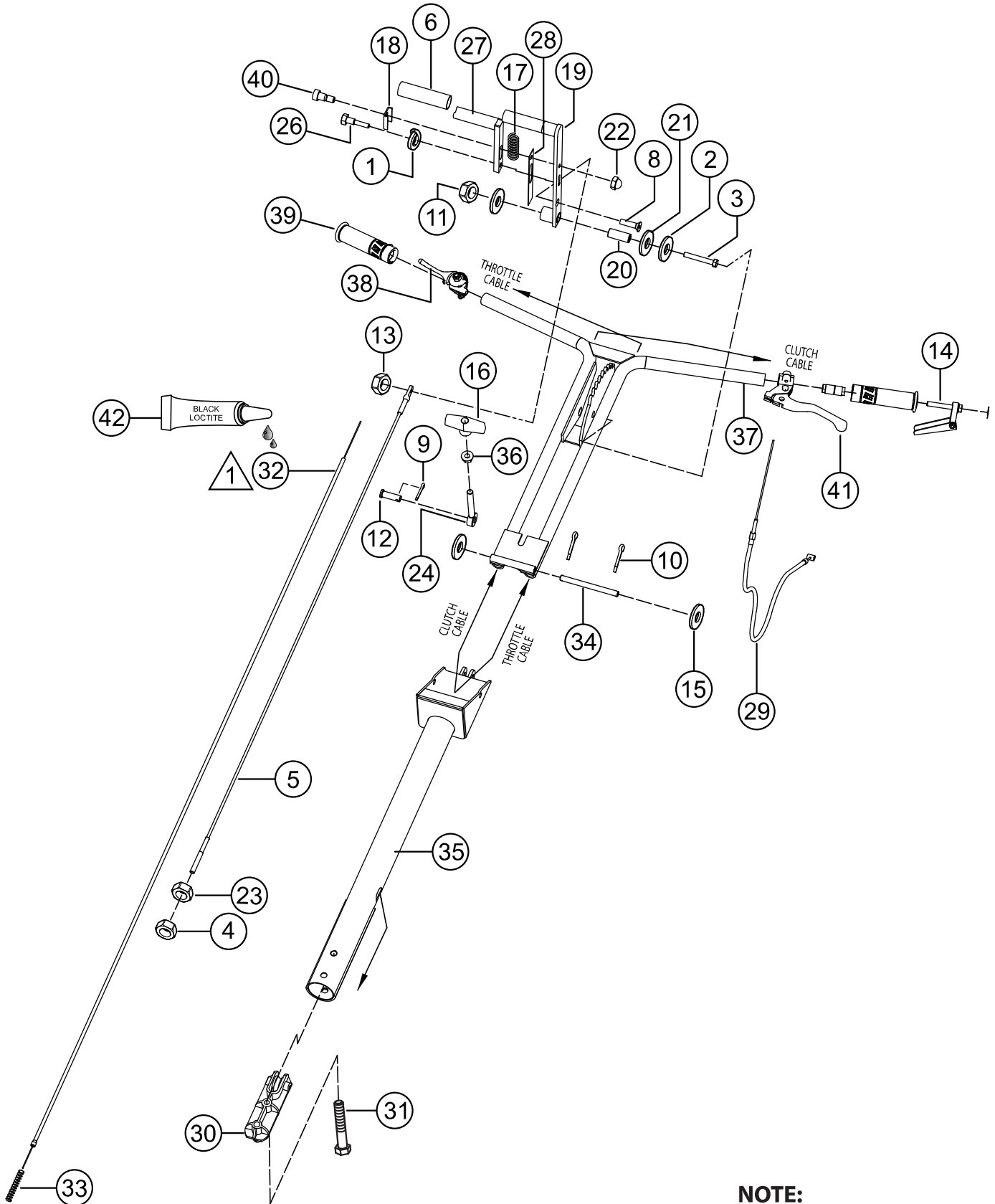
P/N 21692



## NAMEPLATE AND DECALS

<u>NO.</u>	<u>PART NO.</u>	<u>PART NAME</u>	<u>QTY.</u>	<u>REMARKS</u>
1	10732	DECAL: CAUTION PITCH HANDLE	1	
2	2942	DECAL: MQ LOGO, WHITE 13"	1	
3	36099	DECAL: PROTECTIVE CLOTHING	1	
4	32553	ISO DECAL: BELT DRIVE, 1.00" DIA.	1	
5	11092	DECAL: CE	1	
6	30118	ISO DECAL: GEAR DRIVE, 2.00" DIA.	1	
7	20816	DECAL: MQ MULTIQUIP	1	
8	25678	ISO DECAL: COUNTER CLOCKWISE	1	
9	23698	ISO DECAL: ROTATING BLADE HAZARD	1	
10	23704	DECAL: WARNING, GUARDS	1	
11	30117	ISO DECAL: EYE, INSPECTION	1	
12		NAME PLATE.....	1	CONTACT MULTIQUIP PARTS DEPARTMENT
13	38707	ISO DECAL: PROP 65	1	
14	23699	ISO DECAL: READ MANUAL	1	
15	23701	ISO DECAL: ASK FOR TRAINING	1	
16	23808	ISO DECAL: HOT SURFACE HAZARD	1	

# QUICK PITCH™ HANDLE ASSY.



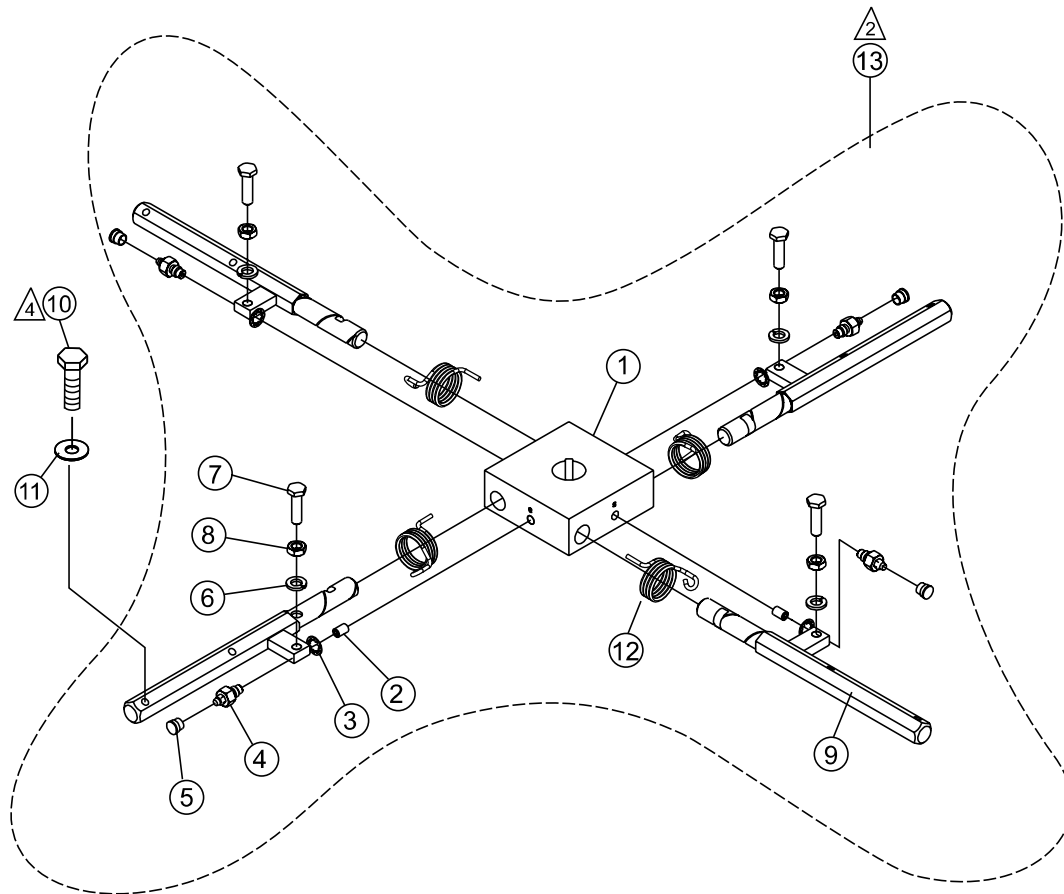
**NOTE:**

 LOCTITE #380 BLACK

## QUICK PITCH™ HANDLE ASSY.

<u>NO.</u>	<u>PART NO.</u>	<u>PART NAME</u>	<u>QTY.</u>	<u>REMARKS</u>
1	0161 C	LOCK WASHER 5/16"	1	
2	0300 B	FLAT WASHER 5/16"	2	
3	0669 A	SCREW, HHC 5/16- 18 X 2-1/4"	1	
4	1116	NUT, BRASS, JAM, 5/16-18	1	
5	1714	CABLE, PITCH CONTROL	1	
6	1724	GRIP, HANDLE	1	
8	3164	SCREW, FHSC 1/4- 20 X 1"	1	
9	3216	COTTER PIN	1	
10	5117	PIN, COTTER, 1/16 D X 1/2"	2\	
11	5283	LOCK NUT 5/16- 18	1	
12	5291	CLEVIS PIN	1	
13	10024	LOCK NUT 1/4- 20	1	
14	10036	CLUTCH ASSIST HANDLE ASSY.	1	
15	10136	FLAT WASHER 3/8"	2	
16	10651	TEE HANDLE	1	
17	10654	LATCH RETURN SPRING	1	
18	10655	LATCH RETURN SPRING COVER	1	
19	10657	PITCH CONTROL HANDLE	1	
20	10658	CONTROL HANDLE SUPPORT TUBE	1	
21	10660	SHIM, 1.125" O.D. X .75" I.D. X .031"	1	
22	10676	ACORN NUT 5/16- 18	1	
23	10698	NUT, 15/16-18 CONICAL	1	
24	10701	SWING BOLT	1	
26	10878	QP LATCHING BOLT	1	
27	10881	LATCHING BAR	1	
28	11015	HANDLE SLIDER	1	
29	11097	CABLE, ASSY., B HAND CLUTCH	1	
30	20280	SUPPORT BLOCK	1	
31	21017	SCREW, HHC 3/8- 16 X 3.25 FULL THRD	1	
32	21726	CABLE, ASSY., 68"	1	
33	21746	SPRING, PRIMARY THROTTLE RETURN	1	
34	21758	PIN, HINGE, CA4 HANDLE	1	
35	21779	HANDLE, LOWER CA4	1	
36	21781	NUT, FLANGED HEX, 3/8-16 PLTD	1	
37	21788	HANDLE, UPPER	1	
38	22732	THROTTLE LEVER, ASM.	1	
39	22762	GRIP, HANDLE, 0.875 W/0.63 HOLE	2	
40	3910382	SHOULDER BOLT 3/8 X 3/8	1	
41	1512	CLUTCH HAND LEVER	1	
42	60113	LOCTITE, #380 BLACK	1	

# SPIDER ASSY.



NOTES:

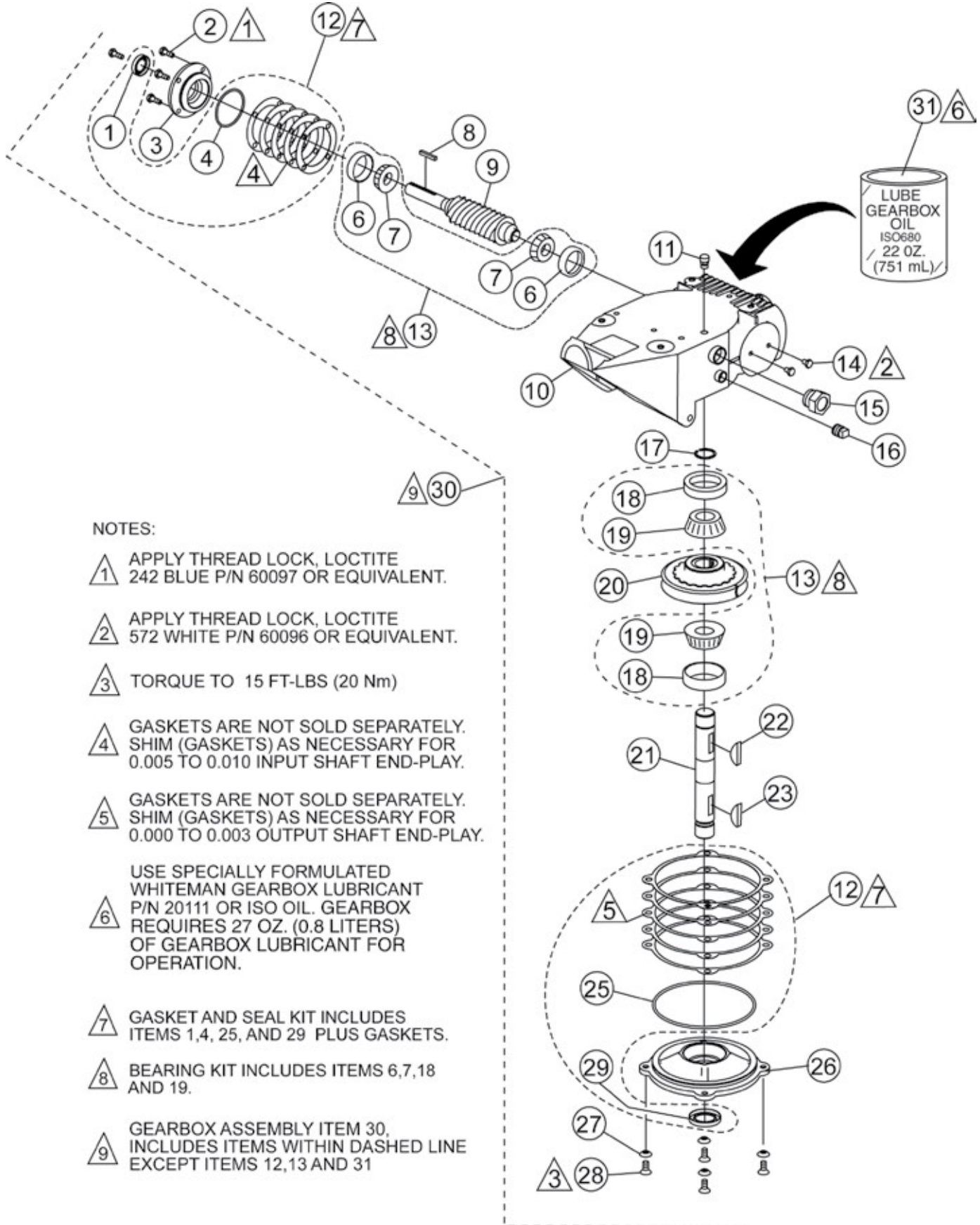
- ① APPLY LOCTITE P/N 1477 TO ITEMS 1.
- ② SPIDER ASSEMBLY P/N 11860  
INCLUDES ALL ITEMS WITHIN OUTLINE.
- ③ INCLUDED WITH ITEM 15 OR CAN BE  
ORDERED SEPARATELY (P/N 1471)
- ④ TORQUE TO 130 FT.-LBS (176 Nm)

## SPIDER ASSY.

---

<u>NO.</u>	<u>PART NO.</u>	<u>PART NAME</u>	<u>QTY.</u>	<u>REMARKS</u>
1	10563	SPIDER PLATE, 1-1/8 SHAFT 4BLD CA4	1	
2	11299	SCREW, SHS 5/16-18 X 9/16 CONE PT	2	
3	1875	WASHER, INT. SHKP, 3/8	4	
4	10587	ARM RETAINING ASSY, SHORT	4	
5	1162 A	CAP, GREASE ZERK #2 YELLOW	4	
6	0166 A	WASHER, LOCK, 3/8 MED.	4	
7	0164 B	SCREW, TROWEL ADJUSTMENT 3/8-16	4	
8	1876	NUT, HEX JAM 3/8-16 CLASS 2B	4	
9	10768	ARM, TROWEL W/A	4	
10	10790	SCREW, HHC M6- 1 X 30MM	8	
11	0181 B	LOCK WASHER 1/4"	8	
12	30148	SPRING, TROWEL ARM CA4	4	
13	11860	SPIDER ASM.....	1.....	INCLUDES ITEMS W/*

# GEARBOX ASSY.



**NOTES:**

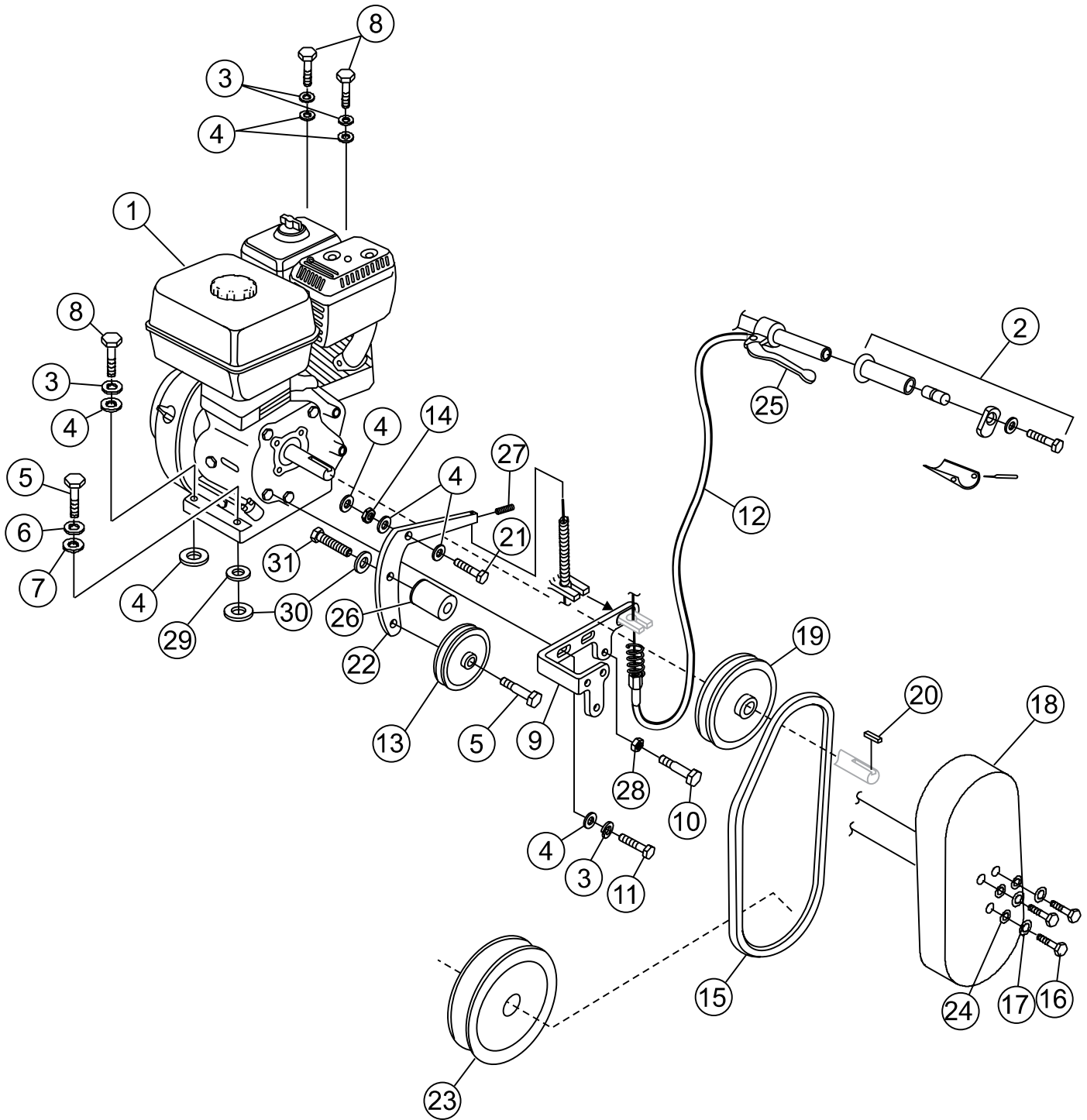
- ▲ 1 APPLY THREAD LOCK, LOCTITE 242 BLUE P/N 60097 OR EQUIVALENT.
- ▲ 2 APPLY THREAD LOCK, LOCTITE 572 WHITE P/N 60096 OR EQUIVALENT.
- ▲ 3 TORQUE TO 15 FT-LBS (20 Nm)
- ▲ 4 GASKETS ARE NOT SOLD SEPARATELY. SHIM (GASKETS) AS NECESSARY FOR 0.005 TO 0.010 INPUT SHAFT END-PLAY.
- ▲ 5 GASKETS ARE NOT SOLD SEPARATELY. SHIM (GASKETS) AS NECESSARY FOR 0.000 TO 0.003 OUTPUT SHAFT END-PLAY.
- ▲ 6 USE SPECIALLY FORMULATED WHITEMAN GEARBOX LUBRICANT P/N 20111 OR ISO OIL. GEARBOX REQUIRES 27 OZ. (0.8 LITERS) OF GEARBOX LUBRICANT FOR OPERATION.
- ▲ 7 GASKET AND SEAL KIT INCLUDES ITEMS 1,4, 25, AND 29 PLUS GASKETS.
- ▲ 8 BEARING KIT INCLUDES ITEMS 6,7,18 AND 19.
- ▲ 9 GEARBOX ASSEMBLY ITEM 30, INCLUDES ITEMS WITHIN DASHED LINE EXCEPT ITEMS 12,13 AND 31



## GEARBOX ASSY.

<u>NO.</u>	<u>PART NO.</u>	<u>PART NAME</u>	<u>QTY.</u>	<u>REMARKS</u>
1%*	0753	SEAL, OIL NATIONAL	1	
2%	0131 A	SCREW, HHC 1/4-20 X 3/4"	4	
3%	12876	FLANGE, INPUT SHAFT	1	
4%*	20395	RING, O -139 BUNA N	1	
6%#	21218	BEARING, CUP, TIMKEN	2	
7%#	20465	BEARING, CONE, TIMKEN	2	
8%	0627	KEY, SQUARE 3/16" X 1-1/4"	1	
9%	1851	GEAR, WORM & SHAFT ASSY.	1	
10%	21454	CASE, GEAR	1	
11%	21218	VENT, AIR	1	
12	21046	GASKET/SEAL KIT.....	1	INCLUDES ITEMS W/*
13	21047	BEARING KIT .....	1	INCLUDES ITEMS W/#
14%	20476	SCREW, HHC 1/4-28 X 3/8"	2	
15%	21033	SIGHT GLASS, 3/4 M PIPE STEEL	1	
16%	0121 A	FITTING, PLUG 3/8 MP SQ HEAD	1	
17%	1138	RING, SNAP, TRUARC 5100-112	1	
18%#	20475	BEARING, CUP TIMKEN	2	
19%#	20474	BEARING, CONE TIMKEN	2	
20%	1140	GEAR, WORM, BRONZE	1	
21%	21435	SHAFT, OUTPUT	1	
22%	1139	KEY, WOODRUFF #21 HARDENED	1	
23%*	1238	KEY, WOODRUFF #25	1	
25%*	20396	RING, O -257 BUNA N	1	
26%	12875	COVER, GEARBOX	1	
27%	10235	WASHER, C/S EXT. SHKP	4	
28%*	1146	SCREW, FHSC 5/16-18 X 1", NYLOC NP	4	
29%*	0254	SEAL, OIL, NATIONAL	1	
30	21436	GEARBOX ASSY., W/OIL .....	1	INCLUDES ITEMS W/%
31	20111	BOTTLE, SYNTHETIC OIL, 22 OZ. (751 mL).....	2	REQUIRES 27 OZ. (798 mL)

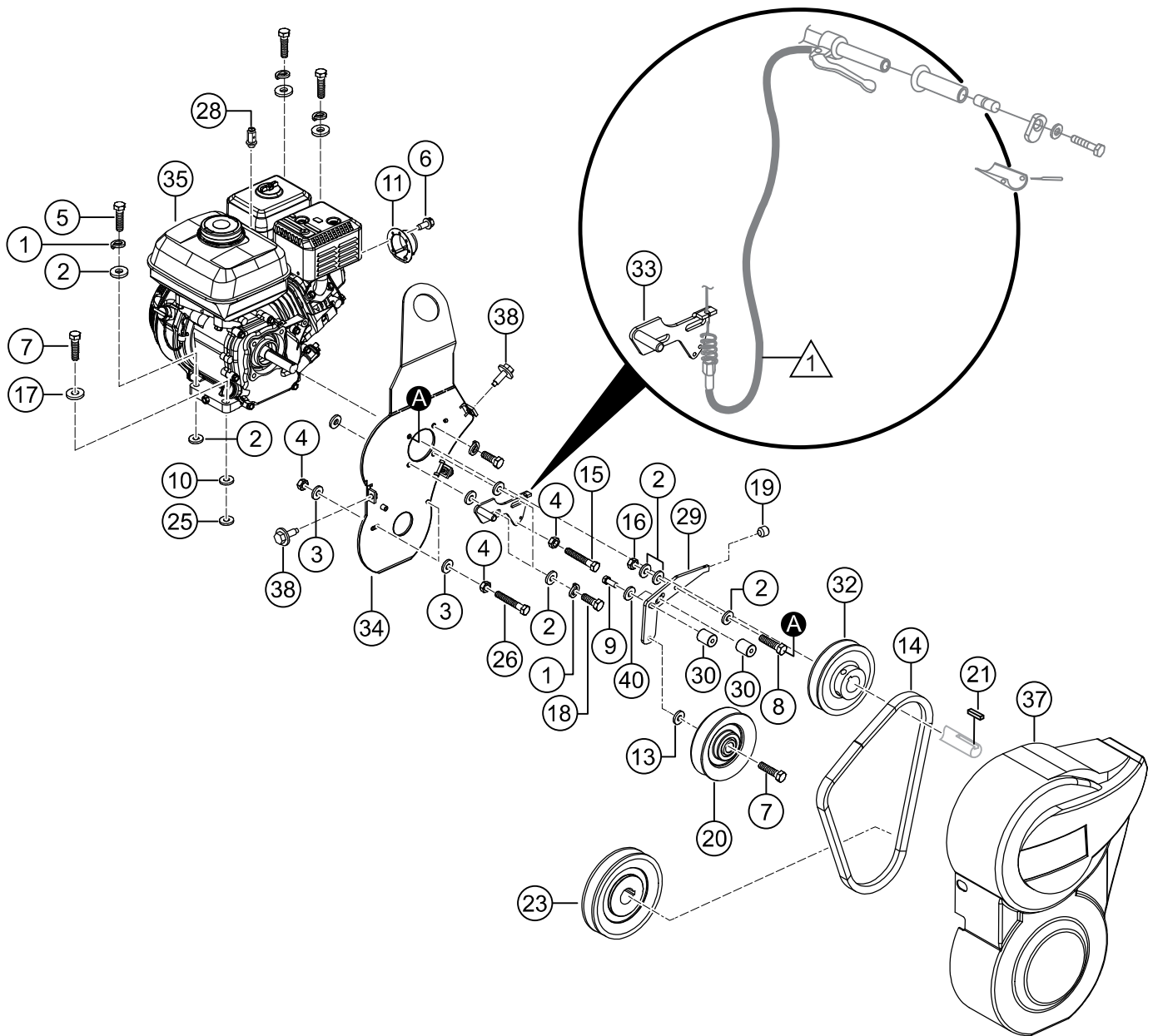
# ENGINE ASSY., 4 HP HONDA (S/N CL0132684 AND BELOW)



## **ENGINE ASSY., 4 HP HONDA (S/N CL0132684 AND BELOW)**

<u>NO.</u>	<u>PART NO.</u>	<u>PART NAME</u>	<u>QTY.</u>	<u>REMARKS</u>
1	21387	ENGINE, 4 HP. HONDA GX120K1QX2	1	
2	10036	HANDLE ASSY., CLUTCH ASSIST	1	
3	0161 C	LOCK WASHER 5/16"	5	
4	0300 B	FLAT WASHER 5/16"	11	
5	1284	SCREW, HHC 3/8-16 X 1-1/2"	2	
6	0166 A	LOCK WASHER 3/8"	1	
7	10136	FLAT WASHER 3/8"	1	
8	0105	SCREW, HHC 5/16-18 X 1-1/2"	2	
9	10644	CLUTCH BRACKET	1	
10	5277	SCREW, HHC 1/4-20 X 1-1/2"	1	
11	10229	SCREW, HHC 5/16-24 X 1"	2	
12	10936	CABLE ASSY., HAND CLUTCH	1	
13	10608	IDLER PULLEY	1	
14	6014 C	NUT, HEX 5/16-24	1	
15	10611	BELT (A21)	1	
16	0730	SCREW, HHC 1/4-20 X 1"	3	
17	0181 B	LOCK WASHER 1/4"	5	
18	10661	BELT GUARD .....	1	SAFETY ITEM
19	21492	PULLEY	1	
20	10909	SQUARE KEY 3/16" X 3/16" X 13/16"	1	
21	10181	SCREW, HHC 5/16-24 X 1-1/4"	1	
22	20979	CLUTCH LEVER	1	
23	10610	PULLEY	1	
24	0948	FLAT WASHER 1/4"	5	
25	1512	CONTROL LEVER, HAND CLUTCH	1	
26	20981	SHOE, BELT HAND CLUTCH	1	
27	10450	SCREW, SHS 10-32 X 1/4"	1	
28	0949	HEX NUT 1/4-20	1	
29	1733	WASHER, 1/2 X 1/32"	1	
30	13351	WASHER, FLAT USS 3/8" EXT. THK.	1	
31	1672	SCREW, HHC 3/8-24 X 1"	1	

# ENGINE ASSY., 4 HP HONDA (S/N CL0132685 AND ABOVE)



**NOTE:**

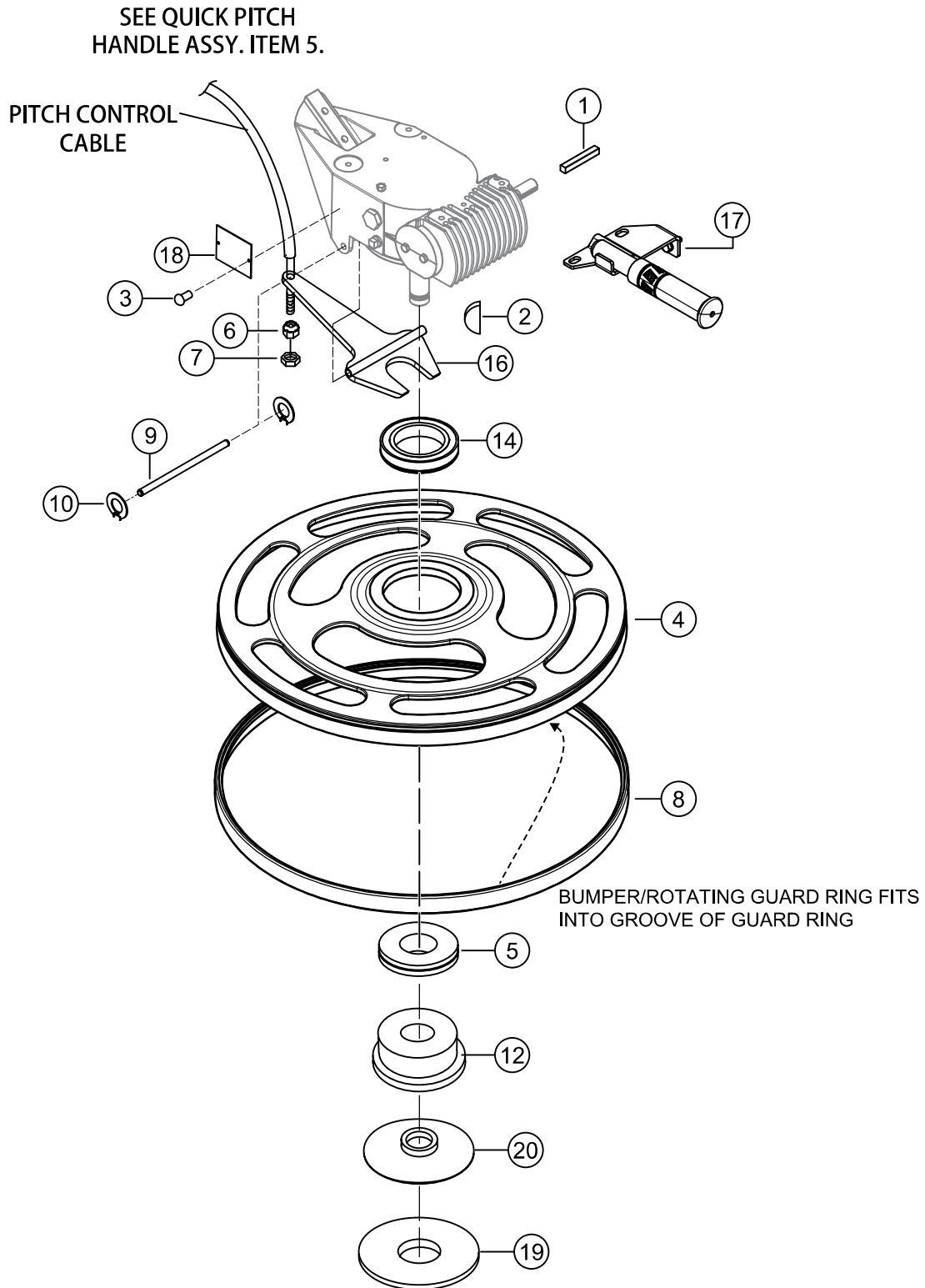
 SEE HANDLE ASSY.

## **ENGINE ASSY., 4 HP HONDA (S/N CL0132685 AND ABOVE)**

---

<b>NO.</b>	<b>PART NO.</b>	<b>PART NAME</b>	<b>QTY.</b>	<b>REMARKS</b>
1	0161 C	LOCK WASHER 5/16"	6	
2	0300 B	FLAT WASHER 5/16"	12	
3	0948	FLAT WASHER 1/4"	4	
4	0949	HEX NUT 1/4-20	5	
5	1207	SCREW, HHC 5/16-18 X 1-3/4"	3	
6	1273	SCREW, HHST 3-32 X 3/8"	2	
7	1284	SCREW, HHC 3/8-16 X 1-1/2"	2	
8	1391	SCREW, HHC 5/16-24 X 1-1/2" ZINC	1	
9	1672	SCREW, HHC 3/8-24 X 1"	2	
10	1733	WASHER, 1/2 X 1/32"	1	
11	1834	DEFLECTOR, HONDA EXHAUST	1	
13	1897	SPACER, 0.75" OD X 0.38" ID X 0.188"	1	
14	2343	BELT (A25)	1	
15	4538	SCREW, HHC 1/4-20 X 2-1/2"	1	
16	6014 C	NUT, HEX 5/16-24	1	
17	10136	FLAT WASHER 3/8"	1	
18	10181	SCREW, HHC 5/16-24 X 1-1/4"	3	
19	10450	SCREW, SHS 10-32 X 1/4"	1	
20	10608	PULLEY, IDLER	1	
21	10909	SQUARE KEY 3/16" X 11/16"	1	
23	11043	PULLEY, AK41 X 3/4"	1	
25	13351	WASHER, FLAT USS 3/8" EXT. THK.	1	
26	19380	SCREW, HHC 1/4-20 X 3"	2	
28	20845	SWIVEL, ASM THROTTLE CABLE	1	
29	20977	CLUTCH LEVER	1	
30	20981	SHOE, BELT HAND CLUTCH	2	
32	21675	PULLEY AK-32 X 3/4"	1	
33	21713	CLUTCH BRACKET	1	
34	21752	BRACKET, LIFT BALE/ PULLEY GUARD	1	
35	22900	ENGINE, HONDA GX120 TIER 3 (3.5 HP)	1	
38	30119	SCREW, 1/4-20 X 7/8" IND HEX, DOG PT	3	
40	933242	WASHER, FLAT SAE 3/8" GRD 9 YZ	2	

# GUARD RING ASSY.

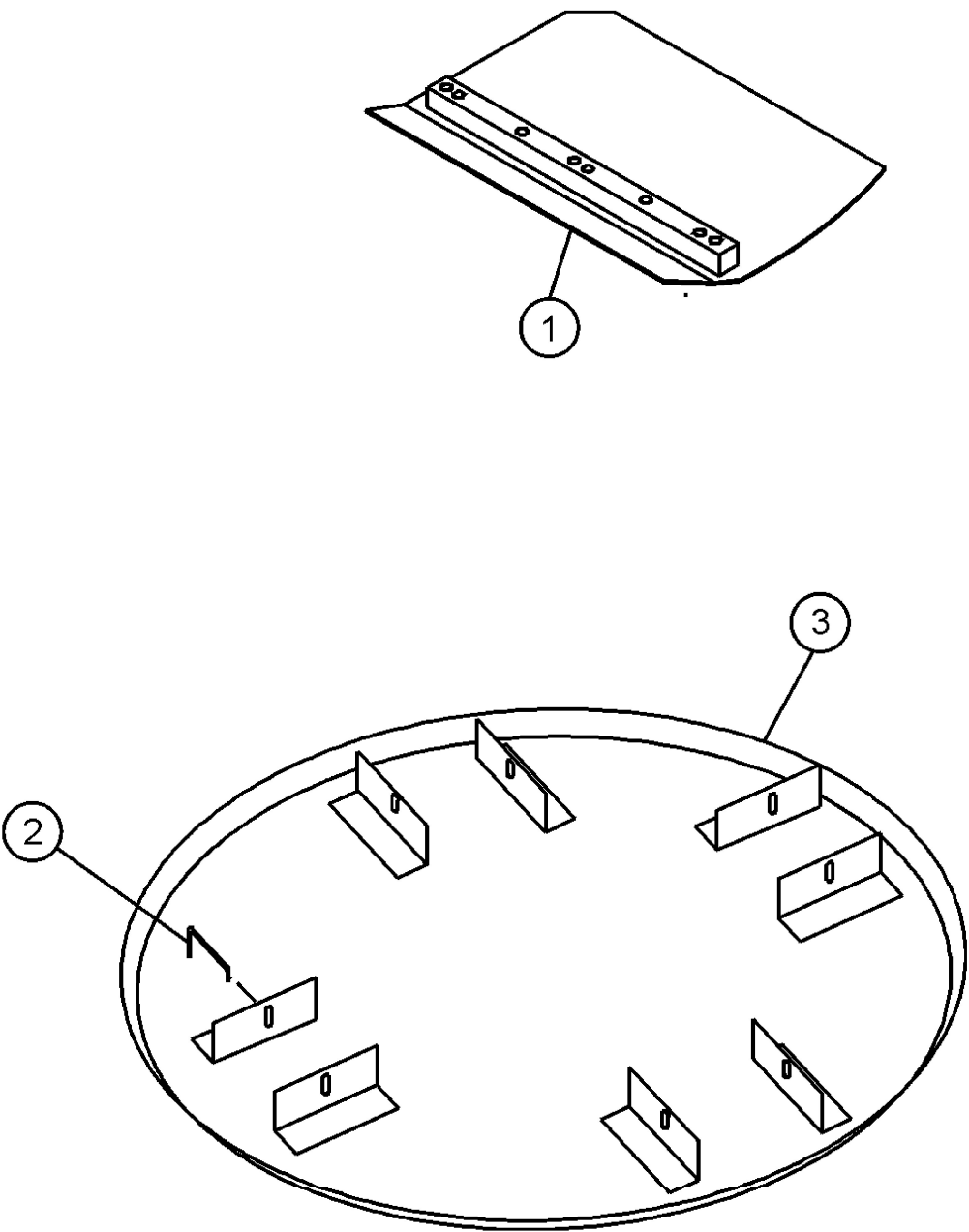


## GUARD RING ASSY.

<u>NO.</u>	<u>PART NO.</u>	<u>PART NAME</u>	<u>QTY.</u>	<u>REMARKS</u>
1	0627	KEY, 3/16" X 1-1/4"	1	
2	1139	KEY, WOODRUFF 1/4 X 1-1/4" (#21) HRDND	1	
3	4014	SCREW, 2-3/16" P-K TYPE U DRIVE	2	
4	21433	RING, ROTATING GUARD	1	
5	10607	BEARING, THRUST 6207, SEALED BOTH SIDES	1	
6	10698	NUT, ADJUSTING 5/16-18	1	
7	1116	NUT, BRASS JAM 5/16-18	1	
8	24304	BUMBER	1	
9	20801	PIN, YOKE	1	
10	20802	RING, SNAP, TRUARC 5100-37 or EQUAL JA	2	
11	21433	RING, ROTATING GUARD	1	
12	21434	SLEEVE, PITCH	1	
14	21441	BEARING, 2.9375" I.D. 4.527" O.D.	1	
15	24304	BUMPER, 24" ROTATING GUARD RING	1	
16	21477	YOKE W/A, CA4	1	
17	22673	LIFT BRACKET ASM, CA4	1	
18		SERIAL PLATE .....	1	.....CONTACT MQ PARTS DEPT.
19	10639	WEAR PLATE	1	
20	10567	THRUST COLLAR	1	

# BLADES AND PAN ASSY.

---



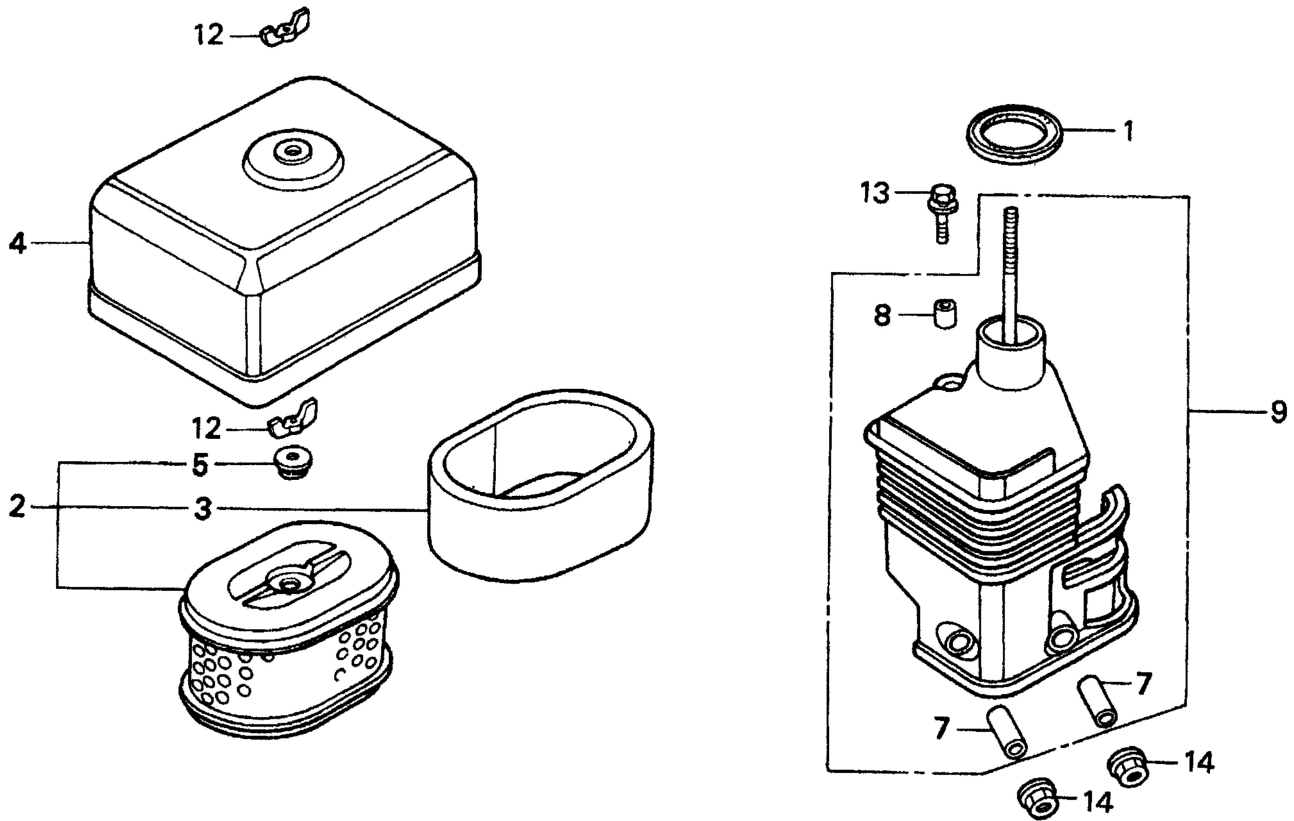


## BLADES AND PAN ASSY.

---

<u>NO.</u>	<u>PART NO.</u>	<u>PART NAME</u>	<u>QTY.</u>	<u>REMARKS</u>
1		COMBO FLOAT & FINISH BLADE .....	4.....	CONTACT UNIT SALES DEPT./ .....ACCESSORY ITEM
2		FLOAT DISC LATCH PIN.....	4.....	CONTACT UNIT SALES DEPT./ .....ACCESSORY ITEM
3		FLOAT DISC .....	1.....	CONTACT UNIT SALES DEPT./ .....ACCESSORY ITEM

# HONDA GX120K1QX2/UT1QX2 ENGINE — AIR CLEANER (DUAL) ASSY.



# HONDA GX120K1QX2/UT1QX2 ENGINE — AIR CLEANER (DUAL) ASSY.

AIRCLEANER (DUAL) ASSY.

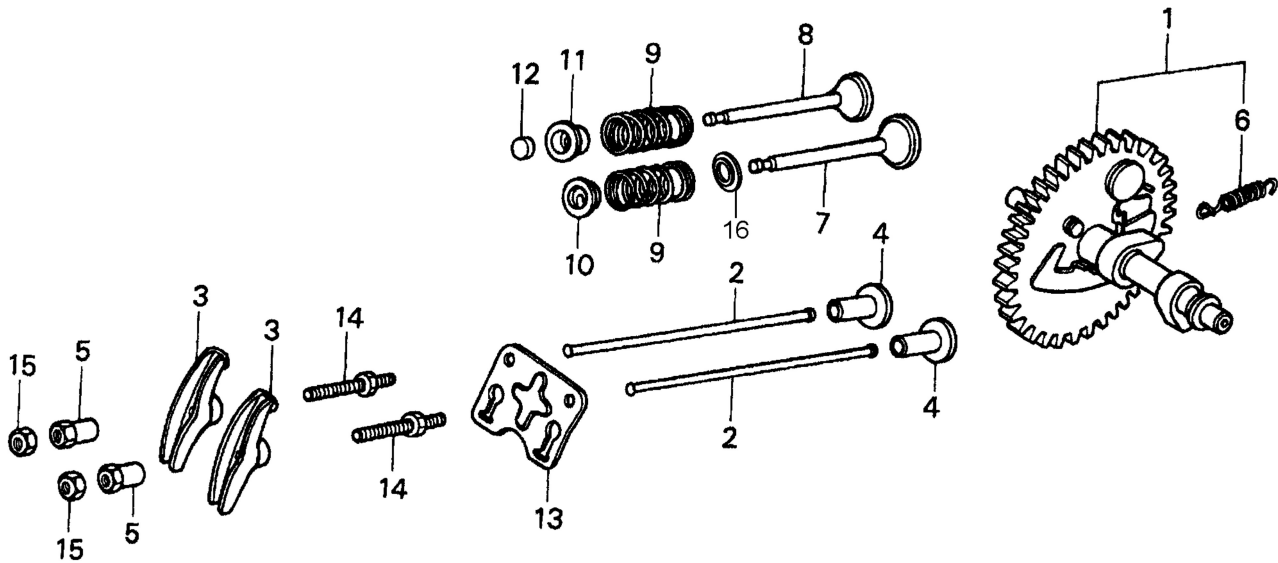
<u>NO.</u>	<u>PART NO.</u>	<u>PART NAME</u>	<u>QTY.</u>	<u>REMARKS</u>
1	16271ZE1000	GASKET, ELBOW	1	
2◆	17210ZE0505	ELEMENT, AIR CLEANER (DUAL).....	1.....	INCLUDES ITEMS W/\$
2◇	17210ZE0822	ELEMENT, AIR CLEANER (DUAL).....	1.....	INCLUDES ITEMS W/\$
3◆\$	17218ZE0505	FILTER, OUTER	1	
3◇\$	17218ZE0820	FILTER, OUTER	1	
4	17230ZE0820	COVER, AIR CLEANER (DUAL)	1	
5\$	17232891000	GROMMET, AIR CLEANER	1	
7#	17238ZE0010	COLLAR, AIR CLEANER	2	
8#	17239ZE1000	COLLAR B, AIR CLEANER	1	
9	17410ZE0030	ELBOW, AIR CLEANER .....	1.....	INCLUDES ITEMS W/#
12	90325044000	WINGNUT, TOOL BOX SETTING	2	
13	957010602000	BOLT, FLANGE 6X20	1	
14	9405006000	NUT, FLANGE 6MM	2	

## NOTICE

◆ GX120K1QX2: AUGUST 2008 AND BELOW

◇ GX120UT1QX2: SEPTEMBER 2008 AND ABOVE

# HONDA GX120K1QX2/UT1QX2 ENGINE — CAMSHAFT ASSY.



## HONDA GX120K1QX2/UT1QX2 ENGINE — CAMSHAFT ASSY.

### CAMSHAFT ASSY.

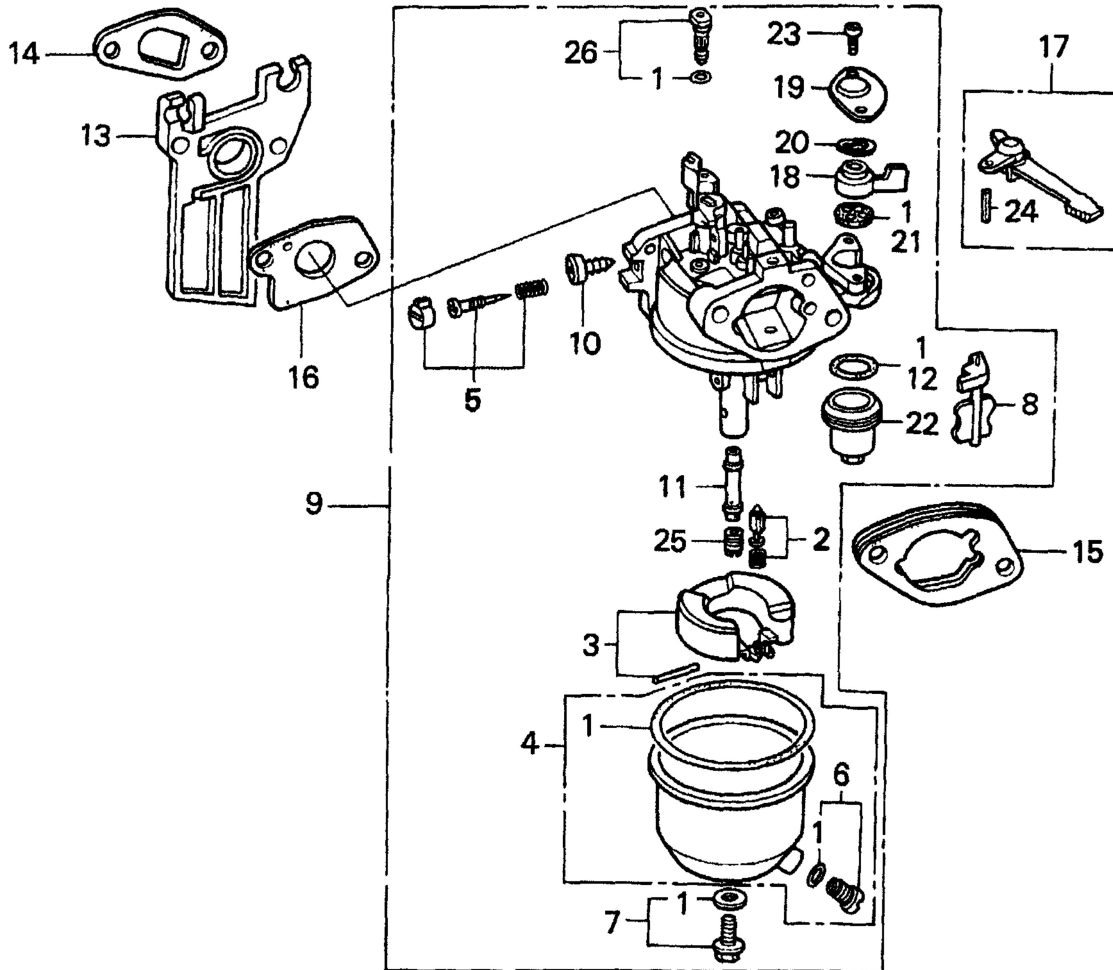
<u>NO.</u>	<u>PART NO.</u>	<u>PART NAME</u>	<u>QTY.</u>	<u>REMARKS</u>
1	14100ZE0812	CAMSHAFT ASSEMBLY .....	1.....	INCLUDES ITEMS W/\$
2	14410ZE0010	ROD, PUSH	2	
3	14431ZE1000	ARM, VALVE ROCKER	2	
4	14441ZE1010	LIFTER, VALVE	2	
5	14451ZE1013	PIVOT, ROCKER ARM	2	
6\$	14568ZE1000	SPRING, WEIGHT RETURN	1	
7	14711ZF0010	VALVE, INTAKE	1	
8	14721ZF0000	VALVE, EXHAUST	1	
9	14751ZF1000	SPRING, VALVE	2	
10	14771ZE1000	RETAINER, IN. VALVE SPRING	1	
11	14773ZE1000	RETAINER, EX. VALVE SPRING	1	
12	14781ZE1000	ROTATOR, VALVE	1	
13	14791ZE0010	PLATE, PUSH ROD GUIDE	1	
14	90012ZE0010	BOLT, PIVOT 8MM	2	
15	90206ZE1000	NUT, PIVOT ADJ.	2	
16◇	12209ZH8003	SEAL, VALE STEM	1	

#### NOTICE

◆ GX120K1QX2: AUGUST 2008 AND BELOW

◇ GX120UT1QX2: SEPTEMBER 2008 AND ABOVE

# HONDA GX120K1QX2/UT1QX2 ENGINE — CARBURETOR ASSY.



# HONDA GX120K1QX2/UT1QX2 ENGINE — CARBURETOR ASSY.

## CARBURETOR ASSY.

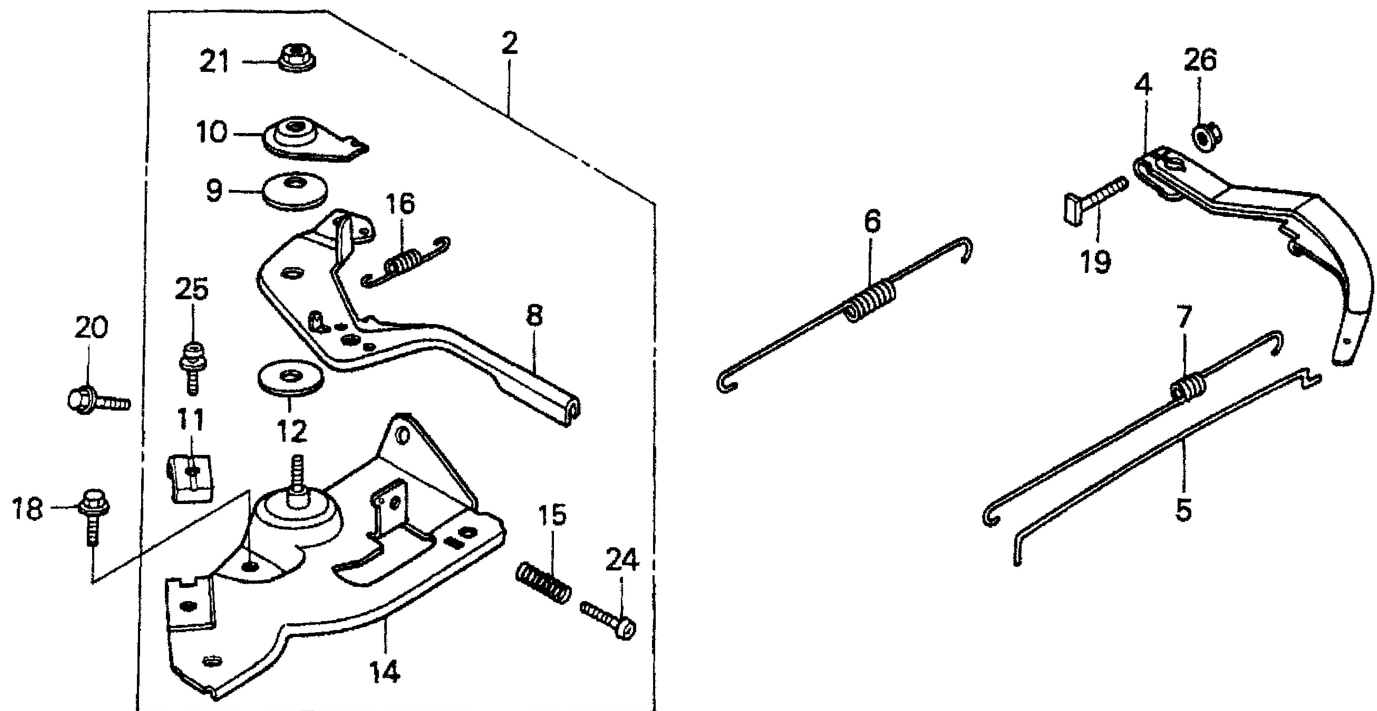
<u>NO.</u>	<u>PART NO.</u>	<u>PART NAME</u>	<u>QTY.</u>	<u>REMARKS</u>
1\$	16010ZE1812	GASKET SET	1	
2\$	16011ZE0005	VALVE SET, FLOAT	1	
3◆	16013ZE0005	FLOAT SET	1	
3◇	16013Z0SB01	FLOAT SET	1	
4◆	16015ZE1811	CHAMBER SET, FLOAT, BE60B A	1	
4◆	16015ZE1831	CHAMBER SET, FLOAT, BE60B B	1	
4◇	16015ZE0831	CHAMBER SET, FLOAT	1	
5\$	16016ZH7W01	SCREW SET, PILOT	1	
6\$	16024ZE1811	SCREW SET, DRAIN	1	
7\$	16028ZE0005	SCREW SET B	1	
8\$	16044ZE0005	CHOKE SET, BE12A B	1	
9◆	16100ZH8W50	CARBURETOR ASSY. (BE65B A) .....	1	S/N 2728507 AND BELOW INCLUDES ITEMS W/\$
9◆	16100ZH8W51	CARBURETOR ASSY. (BE65B B) .....	1	S/N 3491425 AND ABOVE INCLUDES ITEMS W/\$
9◇	16100Z0S921	CARBURETOR ASSY. (BE60R A) .....	1	INCLUDES ITEMS W/\$
10\$	16124ZE0005	SCREW, THROTTLE STOP	1	
11\$	16166ZH7W50	NOZZLE, MAIN BE12A B	1	
12\$	16173001004	PACKING, FUEL STRAINER CUP	1	
13	16211ZE1000	INSULATOR, CARBURETOR	1	
14	16212ZH7800	GASKET, INSULATOR	1	
15	16220ZE1020	SPACER, CARBURETOR	1	
16◆	16221ZH8800	GASKET, CARBURETOR .....	1	S/N 2533057 AND BELOW
16◆	16221ZH8801	GASKET, CARBURETOR .....	1	S/N 2534177 AND ABOVE
16◇	16221ZH8801	GASKET, CARBURETOR	1	
17	16610ZE1000	LEVER, CHOKE (STD) .....	1	INCLUDES ITEMS W/#
18\$	16953ZE1812	LEVER, VALVE	1	
19\$	16954ZE1811	PLATE, LEVER SETTING	1	
20\$	16956ZE1811	SPRING, VALVE LEVER	1	
21\$	16957ZE1812	GASKET, VALVE	1	
22\$	16967ZE0811	CUP, FUEL STRAINER	1	
23◆\$	93500030080G	SCREW, PAN (3 X 6)	2	
23◇\$	93500030061H	SCREW, PAN (3 X 6)	2	
24#	9430520122	PIN, SPRING (2 X 12)	1	
25	99101ZH80550	JET, MAIN (#55) OPTIONAL	1	
25	99101ZH80580	JET, MAIN (#58) OPTIONAL	1	
25\$	99101ZH80600	JET, MAIN (#60)	1	
26\$	99204ZE00350	JET, SET, PILOT (#35)	1	

### NOTICE

◆ GX120K1QX2: AUGUST 2008 AND BELOW

◇ GX120UT1QX2: SEPTEMBER 2008 AND ABOVE

# HONDA GX120K1QX2/UT1QX2 ENGINE — CONTROL ASSY.



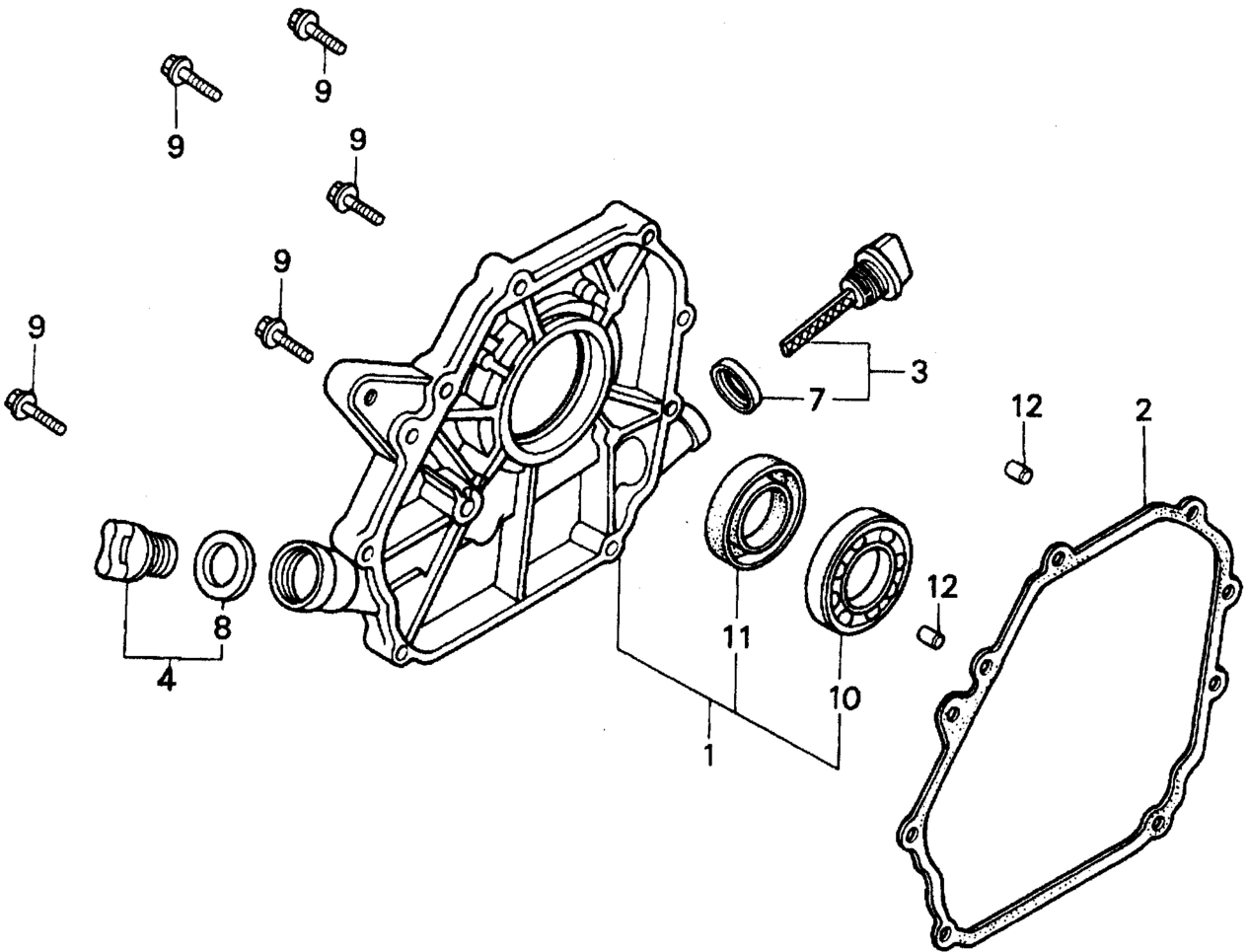


# HONDA GX120K1QX2/UT1QX2 ENGINE — CONTROL ASSY.

## CONTROL ASSY.

<u>NO.</u>	<u>PART NO.</u>	<u>PART NAME</u>	<u>QTY.</u>	<u>REMARKS</u>
2	16500ZH7820	CONTROL ASSEMBLY.....	1.....	INCLUDES ITEMS W/\$
4	16551ZE0010	ARM, GOVERNOR	1	
5	16555ZE0000	ROD, GOVERNOR	1	
6	16561ZE0020	SPRING, GOVERNOR	1	
7	16562ZE0020	SPRING, THROTTLE RETURN	1	
8\$	16571ZH7000	LEVER, CONTROL	1	
9\$	16574ZE1000	SPRING, LEVER	1	
10\$	16575ZH8000	WASHER, CONTROL LEVER	1	
11\$	16576891000	HOLDER, CABLE	1	
12\$	16578ZE1000	SPACER, CONTROL LEVER	1	
14\$	16580ZH7810	BASE, CONTROL	1	
15\$	16584883300	SPRING, CONTROL ADJUSTING	1	
16\$	16592ZE1810	SPRING, CABLE RETURN	1	
18	90013883000	BOLT, FLANGE 6X12 (CT200)	1	
19	90015ZE5010	BOLT, GOVERNOR ARM	1	
20	90022888010	BOLT, FLANGE 6X20 (CT200)	1	
21\$	90114SA0000	NUT, SELF- LOCK 6MM	1	
24\$	93500050250H	SCREW, PAN 5X25	1	
25\$	93500050160A	SCREW-WASHER (5X16)	1	
26	9405006000	NUT, FLANGE 6MM	1	

# HONDA GX120K1QX2/UT1QX2 ENGINE — CRACKCASE COVER ASSY.



# HONDA GX120K1QX2/UT1QX2 ENGINE — CRACKCASE COVER ASSY.

## CRANKCASE COVER ASSY.

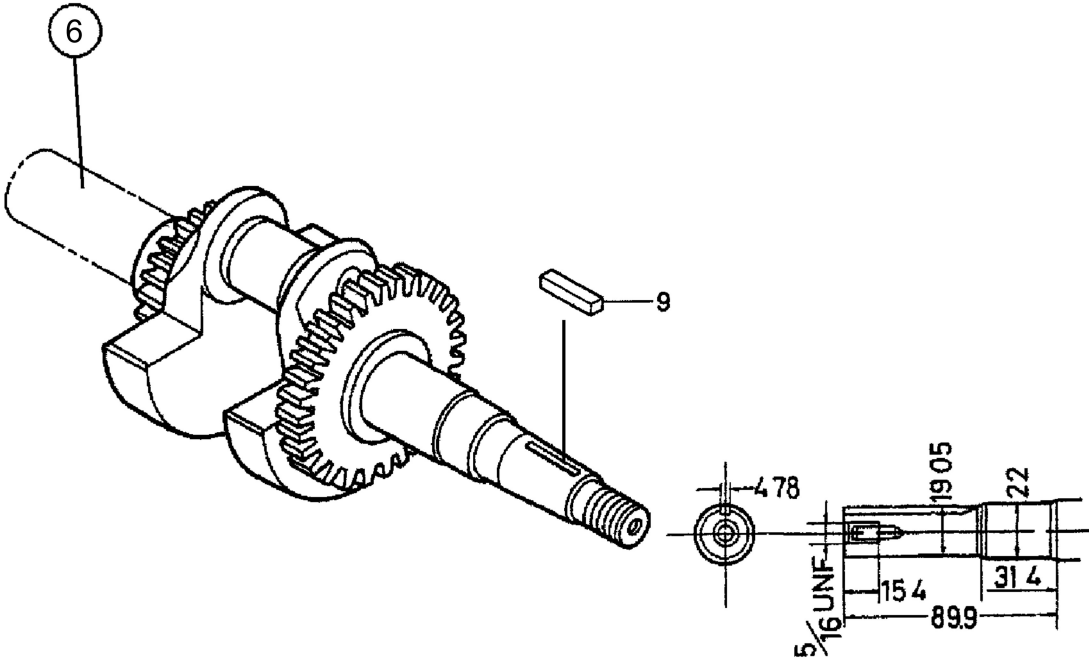
<u>NO.</u>	<u>PART NO.</u>	<u>PART NAME</u>	<u>QTY.</u>	<u>REMARKS</u>
1◆	11300ZE0640	COVER ASSEMBLY, CRANKCASE (U- TYPE) .....	1	INCLUDES ITEMS W/%
1◇	11300ZE0641	COVER ASSEMBLY, CRANKCASE (U- TYPE) .....	1	INCLUDES ITEMS W/%
2	11381ZH7800	GASKET, CASE COVER	1	
3◆	15600ZE1003	CAP ASSEMBLY, OIL FILLER .....	1	INCLUDES ITEMS W/#
3◇	15600Z0T810	CAP ASSEMBLY, OIL FILLER .....	1	INCLUDES ITEMS W/#
4◆	15600ZG4003	CAP ASSEMBLY, OIL FILLER .....	1	INCLUDES ITEMS W/\$
4◇	15600Z0T820	CAP ASSEMBLY, OIL FILLER .....	1	INCLUDES ITEMS W/\$
7◆#	15625ZE1003	GASKET, OIL FILLER CAP	1	
7◇#	15625Z0T800	GASKET, OIL FILLER CAP	1	
8◆\$	15625ZE1003	GASKET, OIL FILLER CAP	1	
8◇\$	15625Z0T800	GASKET, OIL FILLER CAP	1	
9	90015883000	BOLT, FLANGE 6X28	7	
10%	91001878003	BEARING, RADIAL BALL	1	
11◆%	91203ZE0003	OIL SEAL 22X41X6	1	
11◇%	91203ZE0013	OIL SEAL 22X41X6	1	
12	9430108140	PIN A, DOWEL 8X14	2	

### NOTICE

◆ GX120K1QX2: AUGUST 2008 AND BELOW

◇ GX120UT1QX2: SEPTEMBER 2008 AND ABOVE

**HONDA GX120K1QX2/UT1QX2 ENGINE — CRANKSHAFT ASSY.**



## HONDA GX120K1QX2/UT1QX2 ENGINE — CRANKSHAFT ASSY.

---

CRANKSHAFT ASSY.

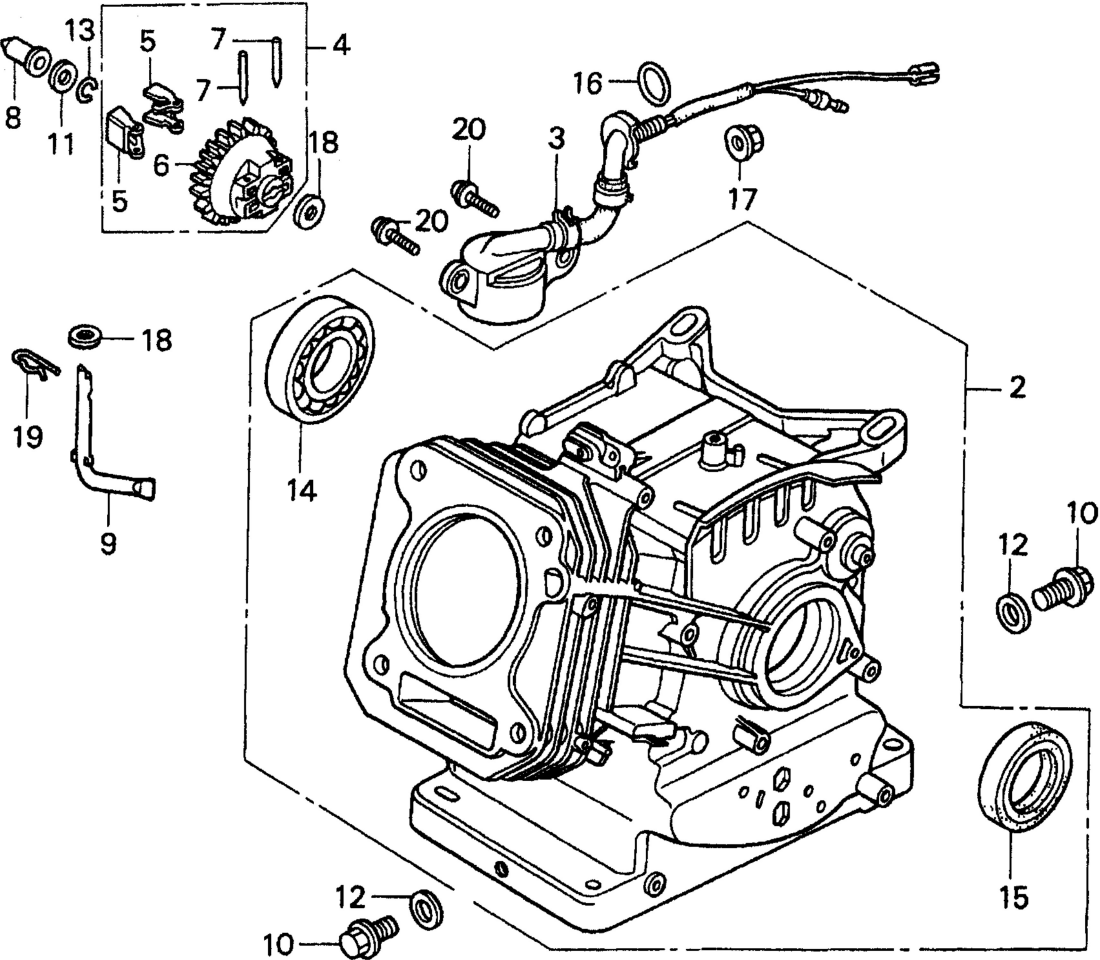
<u>NO.</u>	<u>PART NO.</u>	<u>PART NAME</u>	<u>QTY.</u>	<u>REMARKS</u>
6◆	13310ZE0650	CRANKSHAFT, Q-TYPE	1	
6◇	13310Z0S800	CRANKSHAFT, Q-TYPE	1	
9	90745ZE1600	KEY (4.78 X 78 X 38)	1	

### NOTICE

◆ GX120K1QX2: AUGUST 2008 AND BELOW

◇ GX120UT1QX2: SEPTEMBER 2008 AND ABOVE

# HONDA GX120K1QX2/UT1QX2 ENGINE — CYLINDER BARREL ASSY.



# HONDA GX120K1QX2/UT1QX2 ENGINE — CYLINDER BARREL ASSY.

## CYLINDER BARREL ASSY.

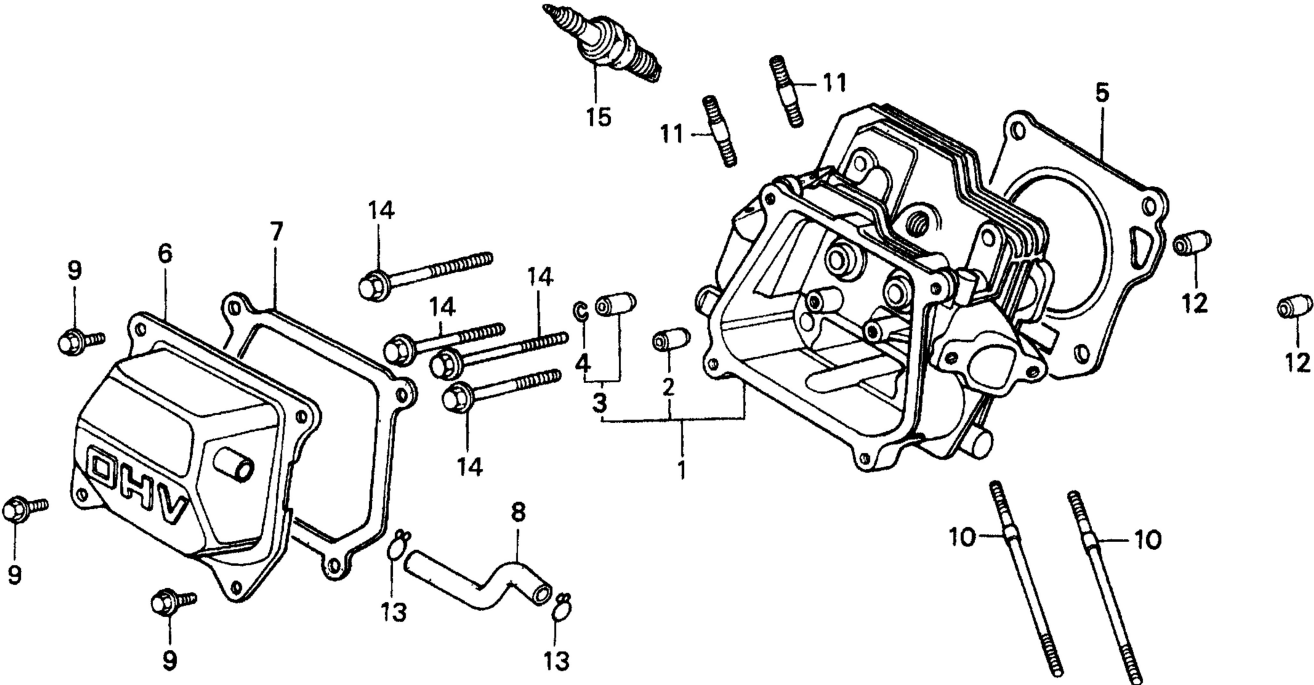
<u>NO.</u>	<u>PART NO.</u>	<u>PART NAME</u>	<u>QTY.</u>	<u>REMARKS</u>
2◆	12000ZH7415	CYLINDER BARREL ASSY. (OIL ALERT).....	1.....	INCLUDES ITEMS W/\$
2◇	12000Z0S416	CYLINDER BARREL ASSY. (OIL ALERT).....	1.....	INCLUDES ITEMS W/\$
3◆	15510ZE1033	SWITCH ASSEMBLY, OIL LEVEL	1	
3◇	15510ZE1033	SWITCH ASSEMBLY, OIL LEVEL .....	1.....	S/N 1111367 AND BELOW
3◇	35480Z0T003	SWITCH ASSEMBLY, OIL LEVEL .....	1.....	S/N 1111367 AND ABOVE
4	16510ZE1000	GOVERNOR ASSEMBLY .....	1.....	INCLUDES ITEMS W/#
5#	16511ZE1000	WEIGHT, GOVERNOR	2	
6#	16512ZE1000	HOLDER, GOVERNOR WEIGHT	1	
7#	16513ZE1000	PIN, GOVERNOR WEIGHT	2	
8	16531ZE1000	SLIDER, GOVERNOR	1	
9	16541ZE1000	SHAFT, GOVERNOR ARM	1	
10	90131ZE1000	BOLT, DRAIN PLUG	2	
11	90451ZE1000	WASHER, THRUST 6MM	1	
12	90601ZE1000	WASHER, DRAIN PLUG 10.2MM	2	
13	90602ZE1000	CLIP, GOVERNOR HOLDER	1	
14\$	91001878003	BEARING, RADIAL BALL 62/22	1	
15◆\$	91202ZE6003	OIL SEAL 22X35X6	1	
15◇\$	91202ZE6013	OIL SEAL 22X35X6	1	
16◆	91353671003	O- RING 13.5X1.5 (ARAI)	1	
16◇	91353671004	O- RING 13.5X1.5 (ARAI)	1	
17	9405010000	NUT, FLANGE 10MM	1	
18	9410106800	WASHER, PLAIN 6MM	2	
19	9425108000	PIN, LOCK 8MM	1	
20	957010601200	BOLT, FLANGE 6X12	2	

### NOTICE

◆ GX120K1QX2: AUGUST 2008 AND BELOW

◇ GX120UT1QX2: SEPTEMBER 2008 AND ABOVE

**HONDA GX120K1QX2/UT1QX2 ENGINE — CYLINDER HEAD ASSY.**





# HONDA GX120K1QX2/UT1QX2 ENGINE — CYLINDER HEAD ASSY.

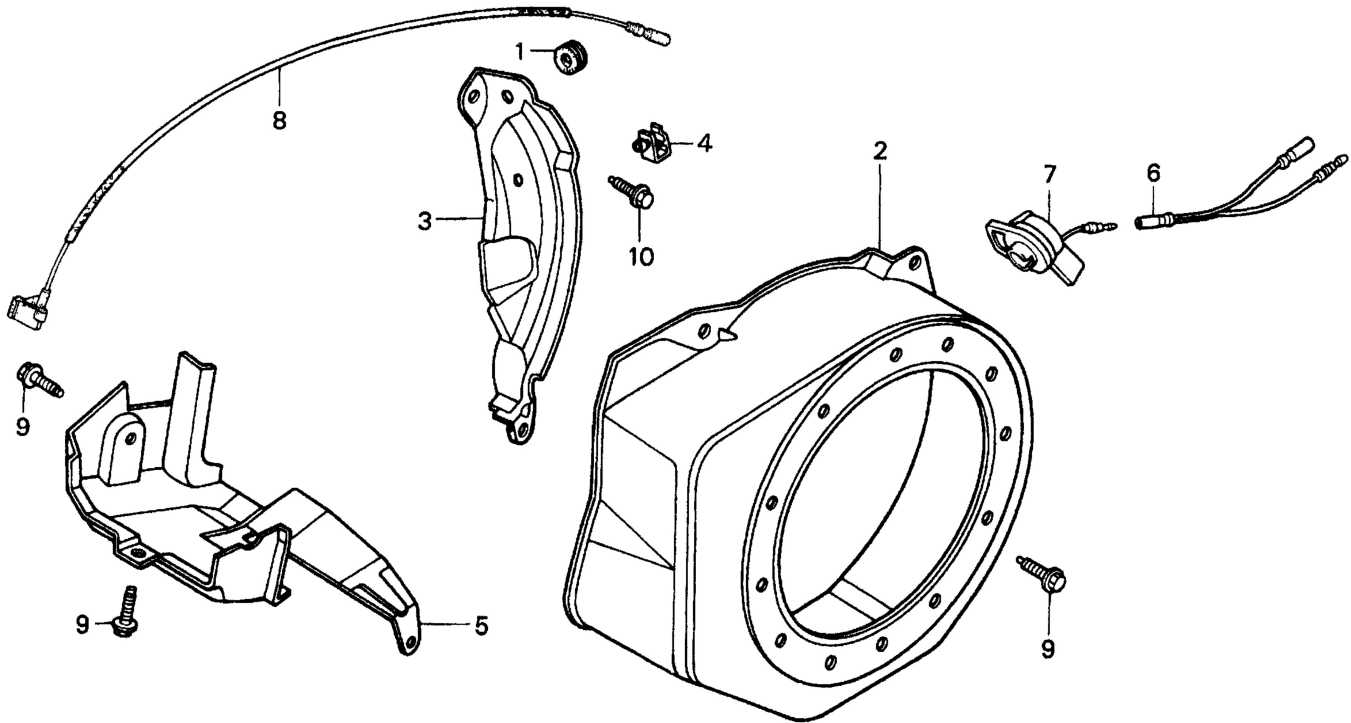
## CYLINDER HEAD ASSY.

<u>NO.</u>	<u>PART NO.</u>	<u>PART NAME</u>	<u>QTY.</u>	<u>REMARKS</u>
1	12210ZH7000	CYLINDER HEAD.....	1.....	INCLUDES ITEMS W/\$
2\$	12204ZE1306	GUIDE, VALVE (OS) OPTIONAL	1	
3\$	12205ZE1315	GUIDE, EX. VALVE (OS) OPTIONAL .....	1.....	INCLUDES ITEMS W/#
4\$#	12216ZE5300	CLIP, VALVE GUIDE	1	
5	12251ZH7800	GASKET, CYLINDER HEAD	1	
6◆	12310ZE1000	COVER, HEAD .....	1.....	S/N 2533057 AND BELOW
6◆	12310ZE1010	COVER, HEAD .....	1.....	S/N 2533058 TO 3909674
6◆	12310ZE1010	COVER, HEAD .....	1.....	S/N 3909675 AND ABOVE
6◇	12310ZE1020	COVER, HEAD	1	
7	12391ZE1000	GASKET, CYLINDER HEAD COVER	1	
8	15721ZH8000	TUBE, BREATHER	1	
9	90013883000	BOLT, FLANGE 6X12 (CT200)	4	
10	90043ZE1020	BOLT, STUD 6X109	2	
11	90047ZE1000	BOLT, STUD 8X32	2	
12	9430110160	PIN, A, DOWEL 10X16	2	
14	957230805500	BOLT, FLANGE 8X55	4	
15◆	9807955855	SPARK PLUG W16EPR- U (DENSO), OPT.	1	
15◆	9807956846	SPARK PLUG BPR6ES, (NGK)	1	
15◇	9807955876	SPARK PLUG BPR5ES, (NGK)	1	
15◇	9807956876	SPARK PLUG BPR6ES, (NGK)	1	

### NOTICE

- ◆ GX120K1QX2: AUGUST 2008 AND BELOW
- ◇ GX120UT1QX2: SEPTEMBER 2008 AND ABOVE

# HONDA GX120K1QX2/UT1QX2 ENGINE — FAN COVER ASSY.



## HONDA GX120K1QX2/UT1QX2 ENGINE — FAN COVER ASSY.

FAN COVER ASSY.

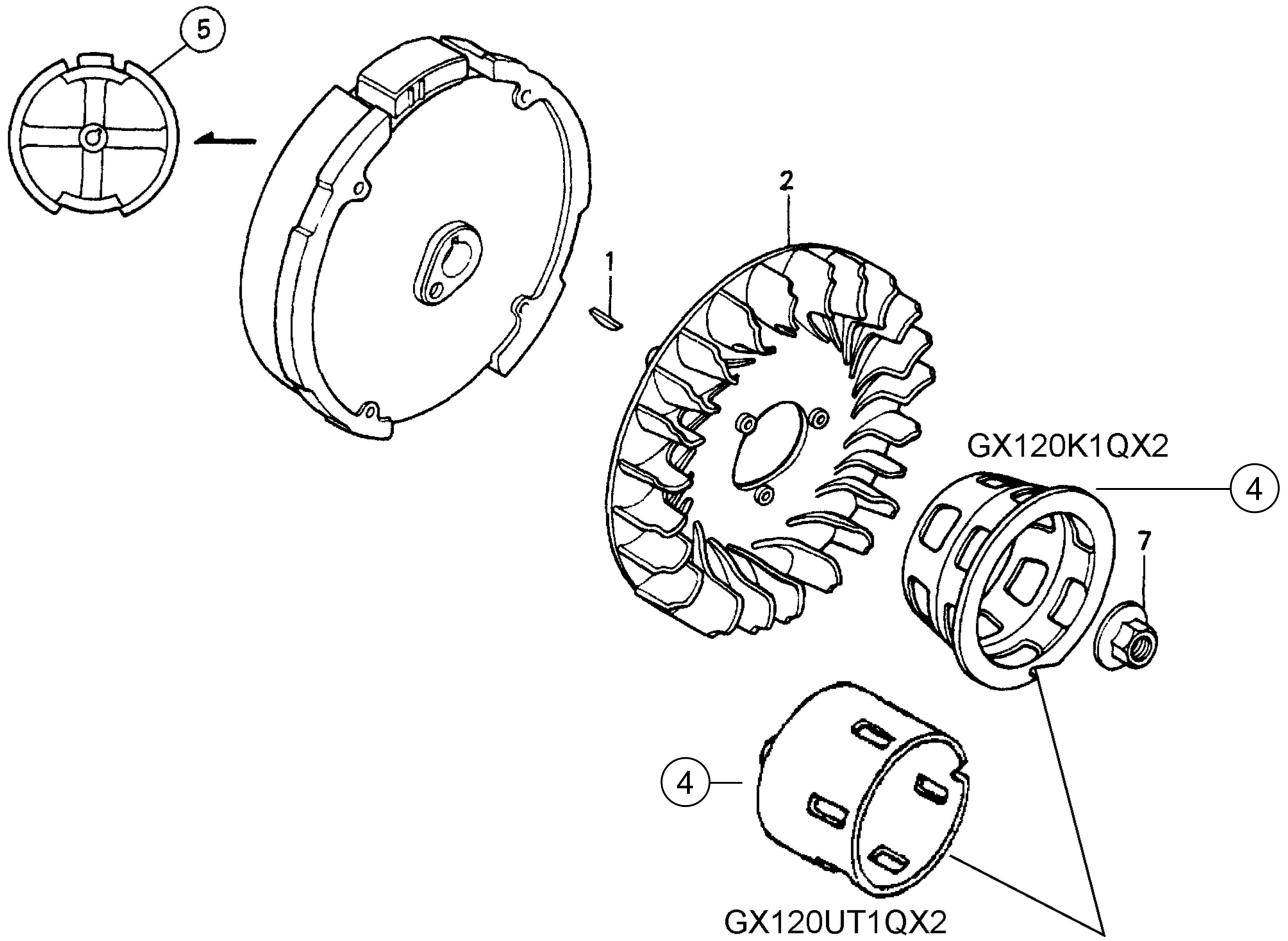
<u>NO.</u>	<u>PART NO.</u>	<u>PART NAME</u>	<u>QTY.</u>	<u>REMARKS</u>
1	11347371300	GROMMET, ADJUSTING COVER	1	
2◆	19610ZE0000ZE	COVER, FAN *NH1* BLACK	1	
2◇	19610ZE0000ZS	COVER, FAN *R280* RED	1	
3	19612ZH7810	PLATE, SIDE (OIL ALERT)	1	
4	90601ZH7013	CLIP, HARNESS	1	
5	19630ZH7000	SHROUD	1	
6	32197ZH8003	SUB- HARNESS	1	
7◆	36100ZH7003	SWITCH ASSEMBLY, ENGINE STOP	1	
7◇	36120Z0T851	SWITCH ASSEMBLY, ENGINE STOP	1	
8	36101ZE1010	WIRE, STOP SWITCH 370MM	1	
9	90013883000	BOLT, FLANGE 6X12 (CT200)	6	
10	90022888010	BOLT, FLANGE 6X12 (CT200)	1	
11◆	34150ZH7003	ALERT UNIT, OIL	1	
11◇	34150ZH7003	ALERT UNIT, OIL.....	1.....	S/N 1170368 AND BELOW
11◇	34150ZH7013	ALERT UNIT, OIL.....	1.....	S/N 1170369 AND ABOVE
13	957010600800	BOLT, FLANGE 6X8	1	

### NOTICE

◆ GX120K1QX2: AUGUST 2008 AND BELOW

◇ GX120UT1QX2: SEPTEMBER 2008 AND ABOVE

# HONDA GX120K1QX2/UT1QX2 ENGINE — FLYWHEEL ASSY.



# HONDA GX120K1QX2/UT1QX2 ENGINE — FLYWHEEL ASSY.

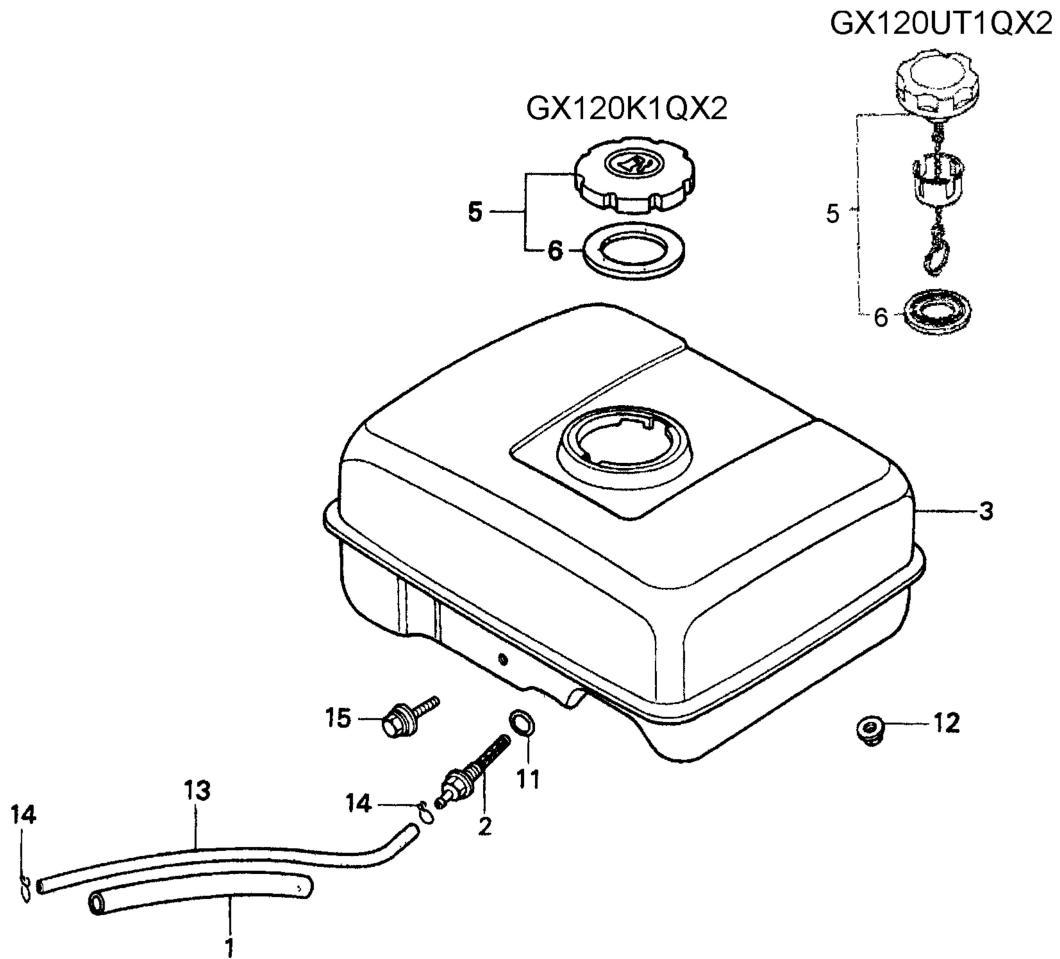
FLYWHEEL ASSY.

<u>NO.</u>	<u>PART NO.</u>	<u>PART NAME</u>	<u>QTY.</u>	<u>REMARKS</u>
1	13331357000	KEY, SPECIAL WOODRUFF 25X18	1	
2	19511ZE0000	FAN, COOLING	1	
4♦	28451ZH8003	PULLEY, STARTER .....	1	S/N 391740 AND BELOW
4♦	28451ZH7003	PULLEY, STARTER .....	1	S/N 391741 AND ABOVE
4◇	28451ZH7801	PULLEY, STARTER	1	
5♦	31100ZE0010	FLYWHEEL	1	
5◇	31100ZE0010	FLYWHEEL .....	1	S/N 1120058 AND BELOW
5◇	1120059	FLYWHEEL .....	1	S/N 1120058 AND ABOVE
7♦	90201878003	NUT, SPECIAL 14MM	1	
7◇	90201Z0T800	NUT, SPECIAL 14MM	1	

## NOTICE

- ♦ GX120K1QX2: AUGUST 2008 AND BELOW
- ◇ GX120UT1QX2: SEPTEMBER 2008 AND ABOVE

# HONDA GX120K1QX2/UT1QX2 ENGINE — FUEL TANK ASSY.



# HONDA GX120K1QX2/UT1QX2 ENGINE — FUEL TANK ASSY.

## FUEL TANK ASSY.

<u>NO.</u>	<u>PART NO.</u>	<u>PART NAME</u>	<u>QTY.</u>	<u>REMARKS</u>
1	16854ZH8000	RUBBER, SUPPORTER 107MM	1	
2	16955ZE1000	JOINT, FUEL TANK	1	
3◆	17510ZE0020ZD	TANK, FUEL *NH1* (BLACK)	1	
3◇	17510Z0S000ZB	TANK, FUEL *NH31* (BLACK) .....	1	S/N 1219127 AND BELOW
3◇	1219128	TANK, FUEL *NH31* (BLACK) .....	1	S/N 1219127 AND ABOVE
5◆	17620ZH7023	CAP, FUEL FILLER.....	1	INCLUDES ITEMS W/ \$
5◇	17620Z0T813	CAP, FUEL FILLER (CHROME PLATED).....	1	S/N 1120058 AND BELOW
		.....		INCLUDES ITEMS W/ \$
5◇	17620Z4H000	CAP, FUEL FILLER.....	1	S/N 1120059 TO 1188057
		.....		INCLUDES ITEMS W/ \$
5◇	17620Z4H010	CAP, FUEL FILLER.....	1	S/N 1188058 TO 1206680
		.....		INCLUDES ITEMS W/ \$
5◇	17620Z4H020	CAP, FUEL FILLER.....	1	S/N 1206681 AND ABOVE
		.....		INCLUDES ITEMS W/ \$
6◆\$	17631ZH7003	GASKET, FUEL FILLER CAP	1	
6◇\$	17631Z4H800	GASKET, FUEL FILLER CAP .....	1	S/N 1188057 AND BELOW
6◇\$	17631Z4H800	GASKET, FUEL FILLER CAP .....	1	S/N 1188058 TO 1206680
6◇\$	17631Z0T801	GASKET, FUEL FILLER CAP .....	1	S/N 1206681 AND ABOVE
11\$	91353671003	O- RING 13.5X1.5 (ARAI)	1	
11\$	91353671004	O- RING 13.5X1.5 (ARAI)	1	
12	9405006000	NUT, FLANGE 6MM	2	
13	950014500360M	BULK HOSE, FUEL (4.5X3000) (4.5X140)	1	
14◆	9500202080	CLIP, TUBE (B8)	2	
14◇	9500202080	CLIP, TUBE (B8) .....	2	S/N 1038089 AND BELOW
14◇	950024080008	CLAMP, TUBE (D8).....	2	S/N 1038090 AND ABOVE
15	90004ZH7003	BOLT, FLANGE 6X29	1	

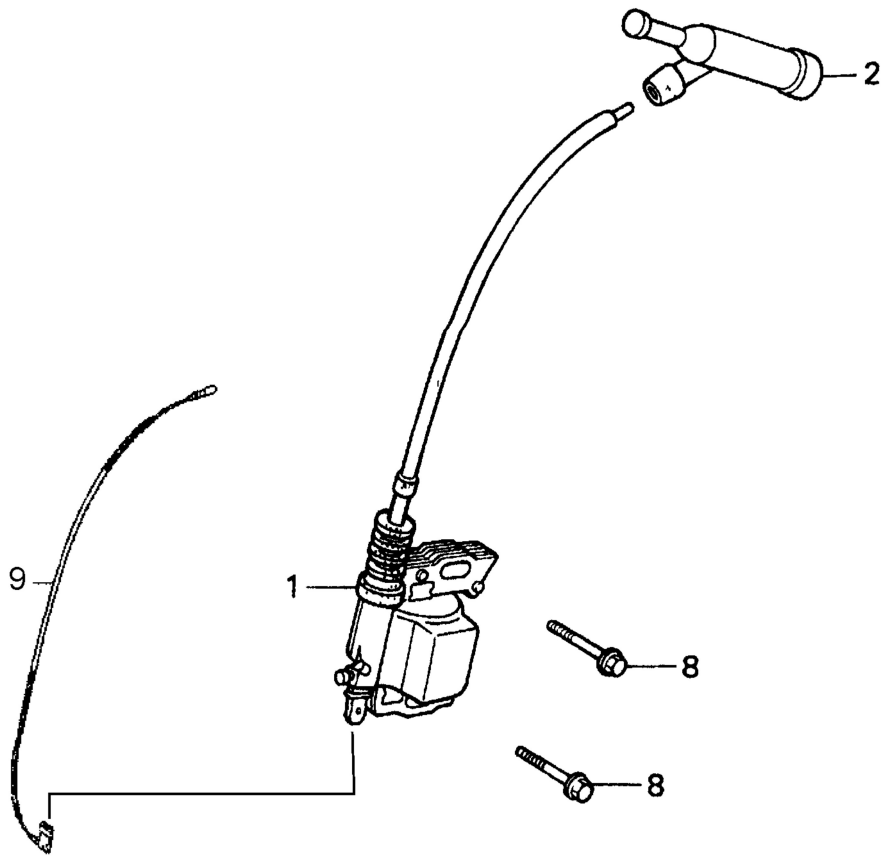
### NOTICE

◆ GX120K1QX2: AUGUST 2008 AND BELOW

◇ GX120UT1QX2: SEPTEMBER 2008 AND ABOVE

# HONDA GX120K1QX2/UT1QX2 ENGINE — IGNITION COIL ASSY.

---





# HONDA GX120K1QX2/UT1QX2 ENGINE — IGNITION COIL ASSY.

## IGNITION COIL ASSY.

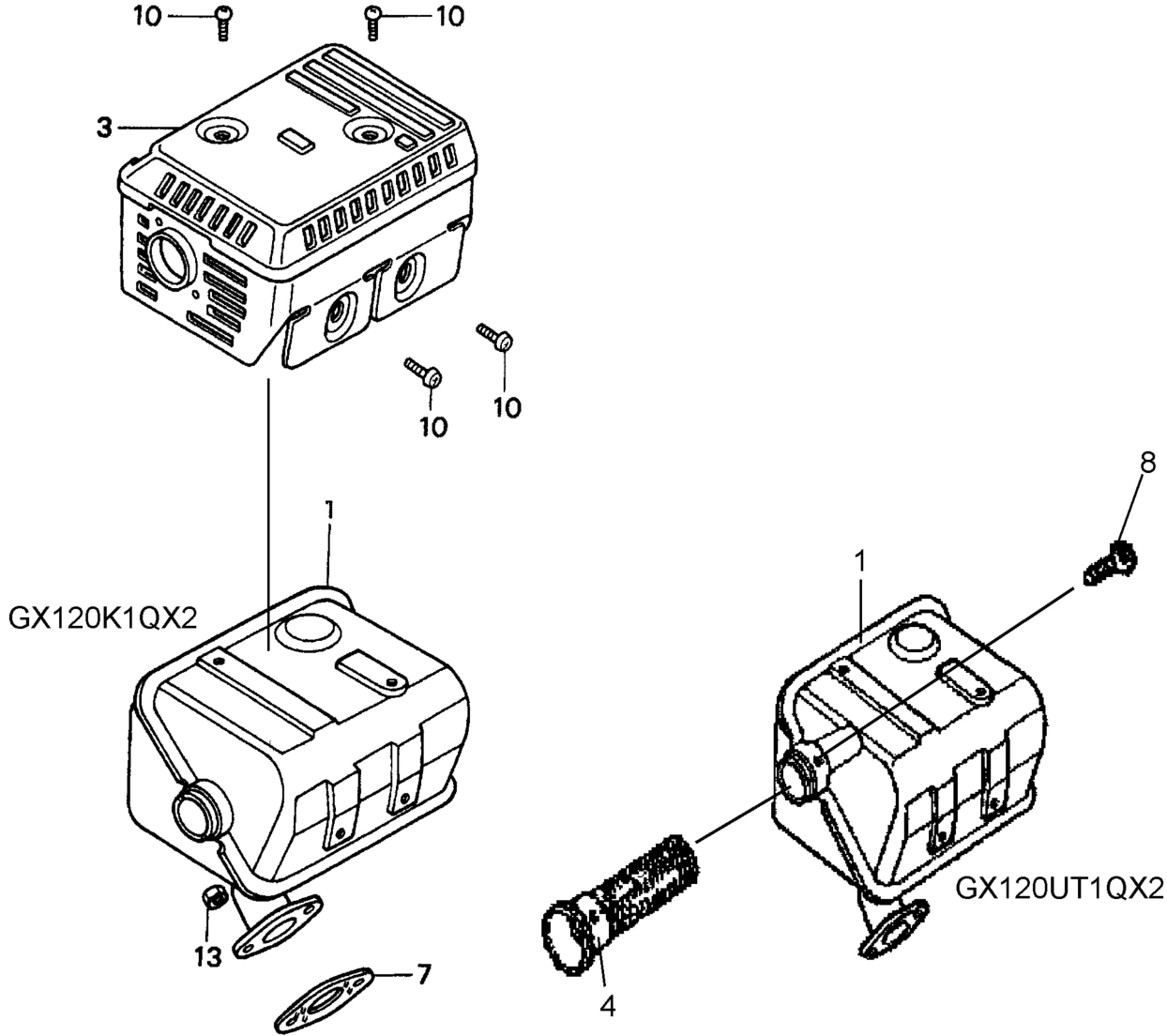
<u>NO.</u>	<u>PART NO.</u>	<u>PART NAME</u>	<u>QTY.</u>	<u>REMARKS</u>
1◆	30500ZE1033	COIL ASSEMBLY, IGNITION	1	
1◇	30500Z0T801	COIL ASSEMBLY, IGNITION .....	1.....	S/N 1098652 AND BELOW
1◇	30500Z0T802	COIL ASSEMBLY, IGNITION .....	1.....	S/N 1098653 AND ABOVE
2◆	30700ZE1013	CAP ASSEMBLY, NOISE SUPPRESSOR	1	
2◇	30700Z0T811	CAP ASSEMBLY, NOISE SUPPRESSOR	1	
8	90121952000	BOLT, FLANGE 6X25	2	
9	36101ZE0101	CORD STOP SWITCH (370 MM)	1	

### NOTICE

◆ GX120K1QX2: AUGUST 2008 AND BELOW

◇ GX120UT1QX2: SEPTEMBER 2008 AND ABOVE

# HONDA GX120K1QX2/UT1QX2 ENGINE — MUFFLER ASSY.



## HONDA GX120K1QX2/UT1QX2 ENGINE — MUFFLER ASSY.

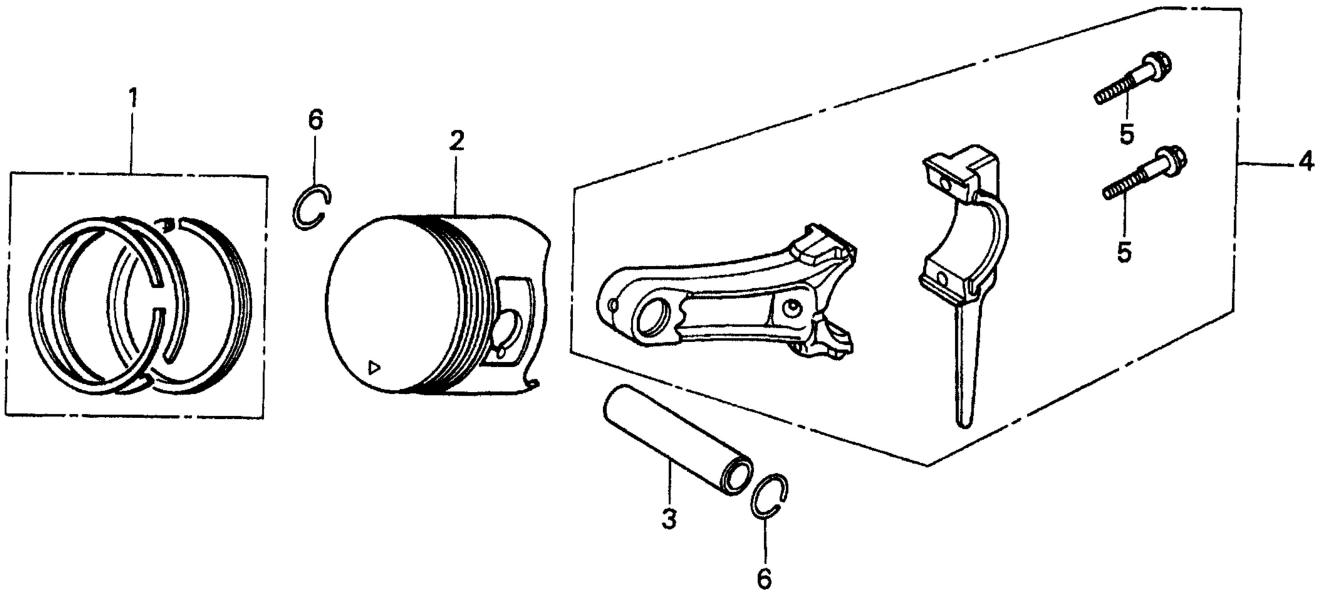
### MUFFLER ASSY.

<u>NO.</u>	<u>PART NO.</u>	<u>PART NAME</u>	<u>QTY.</u>	<u>REMARKS</u>
1◆	18310ZF1000	MUFFLER	1	
1◇	18310ZF8810	MUFFLER	1	
3	18320ZF1H01	PROTECTOR, MUFFLER	1	
4◇	18355ZE1000	ARRESTOR, SPARK	1	
7◆	18381ZH8800	GASKET, MUFFLER	1	
7◇	18381ZH8800	GASKET, MUFFLER.....	1.....	S/N 1060773 AND BELOW
7◇	18381Z0T801	GASKET, MUFFLER.....	1.....	S/N 1060774 AND ABOVE
8◇	90055ZE1000	SCREW, TAPPING 5X8	1	
10	90050ZE1000	SCREW, TAPPING 5X8	4	
13	94001080000S	NUT, HEX. 8MM	2	

#### NOTICE

- ◆ GX120K1QX2: AUGUST 2008 AND BELOW
- ◇ GX120UT1QX2: SEPTEMBER 2008 AND ABOVE

# HONDA GX120K1QX2/UT1QX2 ENGINE — PISTON ASSY.



# HONDA GX120K1QX2/UT1QX2 ENGINE — PISTON ASSY.

## PISTON ASSY.

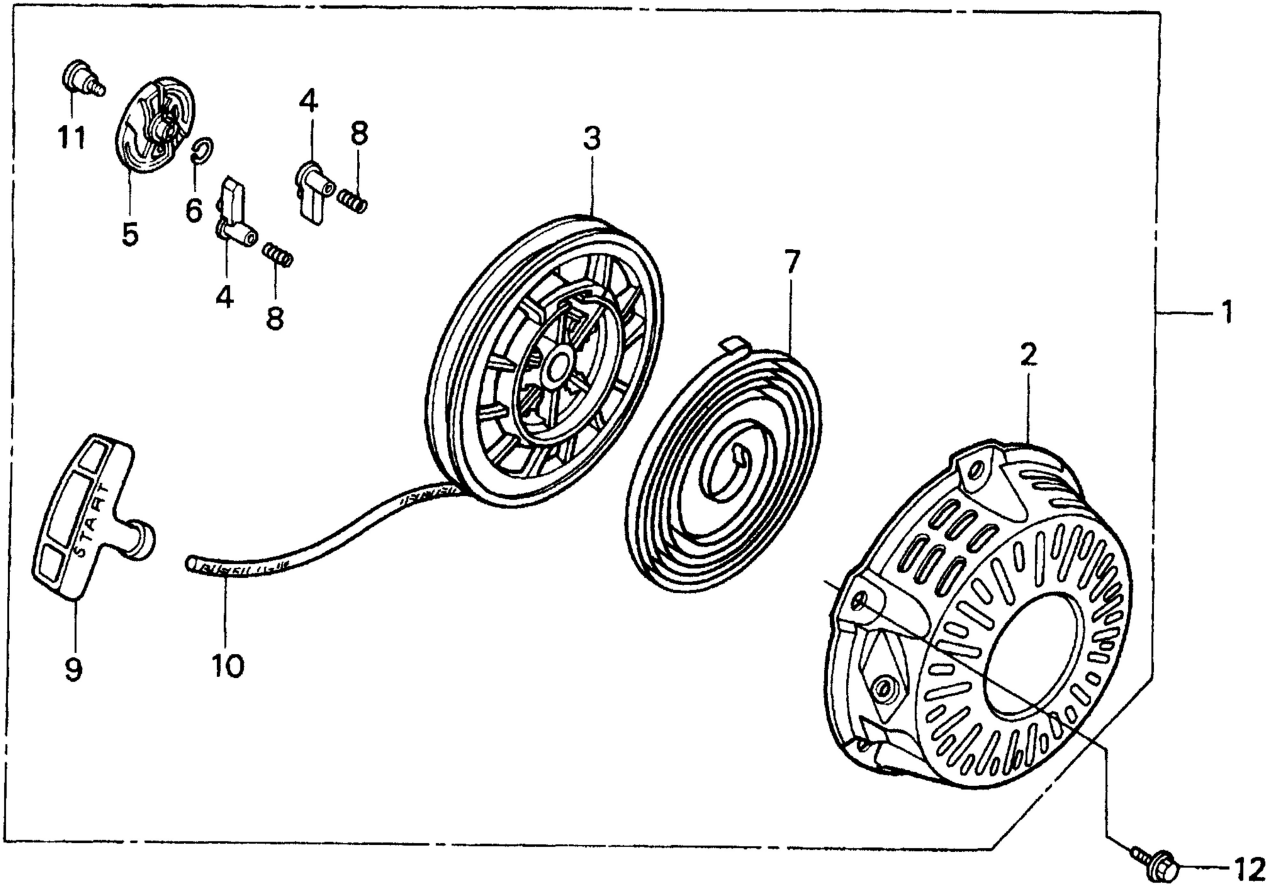
<u>NO.</u>	<u>PART NO.</u>	<u>PART NAME</u>	<u>QTY.</u>	<u>REMARKS</u>
1◆	13010ZK7V01	RING SET, PISTON (STANDARD)	1	
1◇	13010Z4F004	RING SET, PISTON (STANDARD)	1	
1◆	13011ZK7V01	RING SET, PISTON (OS 0.25), OPTIONAL	1	
1◇	13011Z4F004	RING SET, PISTON (OS 0.25), OPTIONAL	1	
1◆	13012ZK7V01	RING SET, PISTON (OS 0.50), OPTIONAL	1	
1◇	13012Z4F004	RING SET, PISTON (OS 0.50), OPTIONAL	1	
1◆	13013ZK7V01	RING SET, PISTON (0.75), OPTIONAL	1	
1◇	13013Z4F004	RING SET, PISTON (0.75), OPTIONAL	1	
2◆	13101ZH7000	PISTON, STANDARD .....	1	S/N 3993725 AND BELOW
2◆	13101ZH7010	PISTON, STANDARD .....	1	S/N 3993726 AND ABOVE
2◇	13101Z0S810	PISTON, STANDARD .....	1	S/N 1120058 AND BELOW
2◇	13101Z0S811	PISTON, STANDARD .....	1	S/N 1120059 TO 1141323
2◇	13101ZH7020	PISTON, STANDARD .....	1	S/N 1141324 AND ABOVE
2◆	13102ZH7000	PISTON, OS 0.25 (OPTIONAL) .....	1	S/N 3993725 AND BELOW
2◆	13102ZH7010	PISTON, OS 0.25 (OPTIONAL) .....	1	S/N 3993726 AND ABOVE
2◇	13102Z0S810	PISTON, OS 0.25 (OPTIONAL) .....	1	S/N 1120058 AND BELOW
2◇	13102Z0S811	PISTON, OS 0.25 (OPTIONAL) .....	1	S/N 1120059 TO 1141323
2◇	13102ZH7020	PISTON, OS 0.25 (OPTIONAL) .....	1	S/N 1141324 AND ABOVE
2◆	13103ZH7000	PISTON, OS 0.50 (OPTIONAL) .....	1	S/N 3993725 AND BELOW
2◆	13103ZH7000	PISTON, OS 0.50 (OPTIONAL) .....	1	S/N 3993726 AND ABOVE
2◇	13103Z0S810	PISTON, OS 0.50 (OPTIONAL) .....	1	S/N 1120058 AND BELOW
2◇	13103Z0S811	PISTON, OS 0.50 (OPTIONAL) .....	1	S/N 1120059 TO 1141323
2◇	13103ZH7020	PISTON, OS 0.50 (OPTIONAL) .....	1	S/N 1141324 AND ABOVE
2◆	13104ZH7000	PISTON, 0.75 (OPTIONAL) .....	1	S/N 3993725 AND BELOW
2◆	13104ZH7010	PISTON, 0.75 (OPTIONAL) .....	1	S/N 3993726 AND ABOVE
2◇	13104Z0S810	PISTON, 0.75 (OPTIONAL) .....	1	S/N 1120058 AND BELOW
2◇	13104Z0S811	PISTON, 0.75 (OPTIONAL) .....	1	S/N 1120059 TO 1141323
2◇	13104ZH7020	PISTON, 0.75 (OPTIONAL) .....	1	S/N 1141324 AND ABOVE
3	13111ZE0000	PIN, PISTON	1	
4◆	132A0ZE0000	ROD ASSY., CONNECTING (UNDERSIZE) OPTIONAL	1	INCLUDES ITEMS W/\$
4◆	13200ZE0000	ROD ASSEMBLY, CONNECTING .....	1	INCLUDES ITEMS W/\$
4◇	13200Z0S800	ROD ASSEMBLY, CONNECTING .....	1	INCLUDES ITEMS W/\$
5\$	90001ZE1000	BOLT, CONNECTING ROD	2	
6	90551ZE0000	CLIP, PISTON PIN 13MM	2	

### NOTICE

◆ GX120K1QX2: AUGUST 2008 AND BELOW

◇ GX120UT1QX2: SEPTEMBER 2008 AND ABOVE

# HONDA GX120K1QX2/UT1QX2 ENGINE — RECOIL STARTER ASSY.



# HONDA GX120K1QX2/UT1QX2 ENGINE — RECOIL STARTER ASSY.

## RECOIL STARTER ASSY.

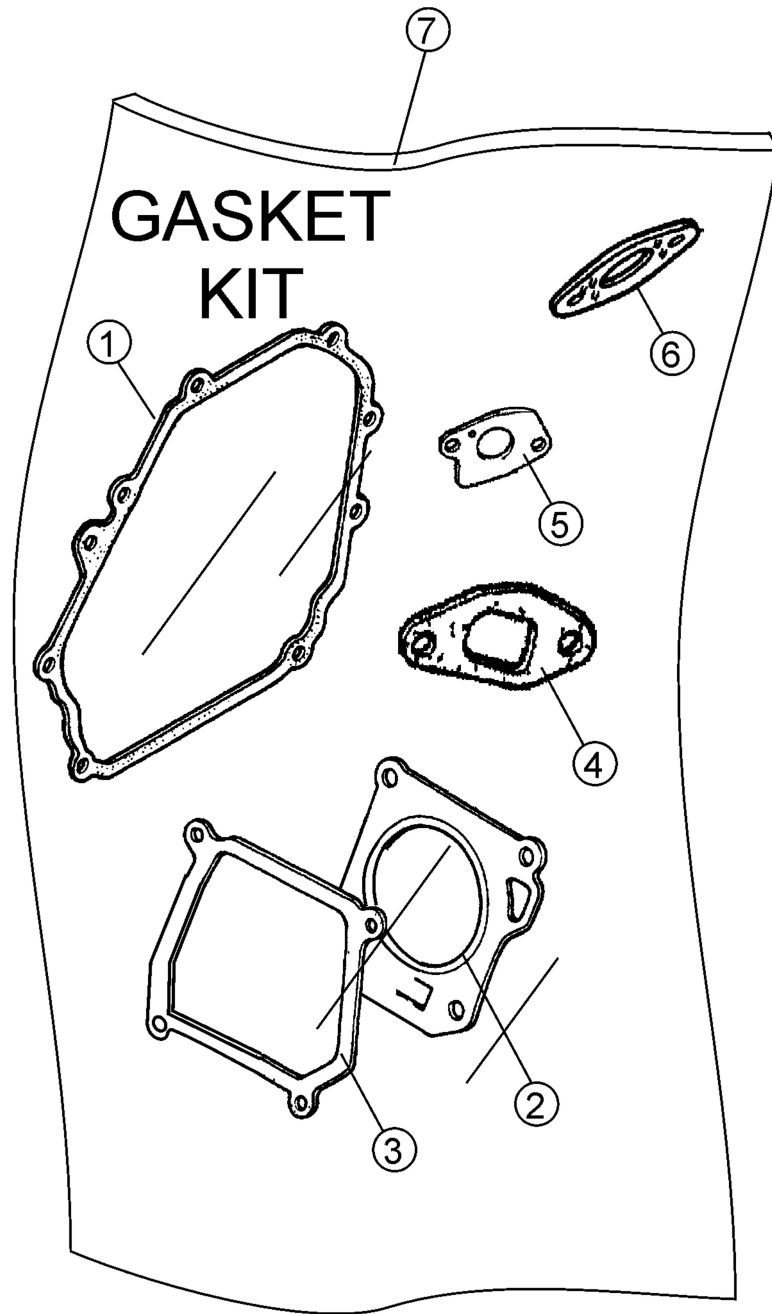
<u>NO.</u>	<u>PART NO.</u>	<u>PART NAME</u>	<u>QTY.</u>	<u>REMARKS</u>
1♦	28400ZH8013ZB	STARTER ASSY., RECOIL *NH1* (BLACK) .....	1 .....	INCLUDES ITEMS W/\$
1♦	28400ZH8013ZA	STARTER ASSY., RECOIL *R8* (RED) .....	1 .....	S/N 4142273 AND BELOW INCLUDES ITEMS W/\$
1♦	28400ZH8013YA	STARTER ASSY., RECOIL *R280* (RED) .....	1 .....	S/N 4142274 AND ABOVE INCLUDES ITEMS W/\$
1◇	28400ZH8023YA	STARTER ASSY., RECOIL *R280* (RED) .....	1 .....	INCLUDES ITEMS W/\$
2♦\$	28410ZH8003ZB	CASE, RECOIL STARTER *NH1* (BLACK)	1	
2♦\$	28410ZH8003ZA	CASE, RECOIL STARTER *R8*(RED) .....	1 .....	S/N 4142273 AND BELOW
2♦\$	28410ZH8003YA	CASE, RECOIL STARTER *R280* (RED) .....	1 .....	S/N 4142274 AND ABOVE
2◇\$	28410ZH8003YA	CASE, RECOIL STARTER *R280* (RED)	1	
3♦\$	28420ZH8013	REEL, RECOIL STARTER	1	
3◇\$	28420ZH8801	REEL, RECOIL STARTER	1	
4♦\$	28422ZH8013	RATCHET, STARTER	2	
4◇\$	28422ZH8801	RATCHET, STARTER	2	
5\$	28433ZH8003	GUIDE, RATCHET	1	
5\$	28433ZH8801	GUIDE, RATCHET	1	
6♦\$	28441ZH8003	SPRING, FRICTION	1	
6◇\$	28441ZH8801	SPRING, FRICTION	1	
7\$	28442ZH8003	SPRING, RECOIL STARTER	1	
8♦\$	28443ZH8003	SPRING, RETURN	2	
8◇\$	28443ZH8801	SPRING, RETURN	2	
9\$	28461ZH8003	GRIP, RECOIL STARTER	1	
10\$	28462ZH8003	ROPE, RECOIL STARTER	1	
11\$	90003ZH8003	SCREW, SETTING	1	
12	90008ZE2003	BOLT, FLANGE 6X10	3	

### NOTICE

♦ GX120K1QX2: AUGUST 2008 AND BELOW

◇ GX120UT1QX2: SEPTEMBER 2008 AND ABOVE

# HONDA GX120K1QX2/UT1QX2 ENGINE — GASKET KIT ASSY.





# HONDA GX120K1QX2/UT1QX2 ENGINE — GASKET KIT ASSY.

GASKET KIT ASSY.

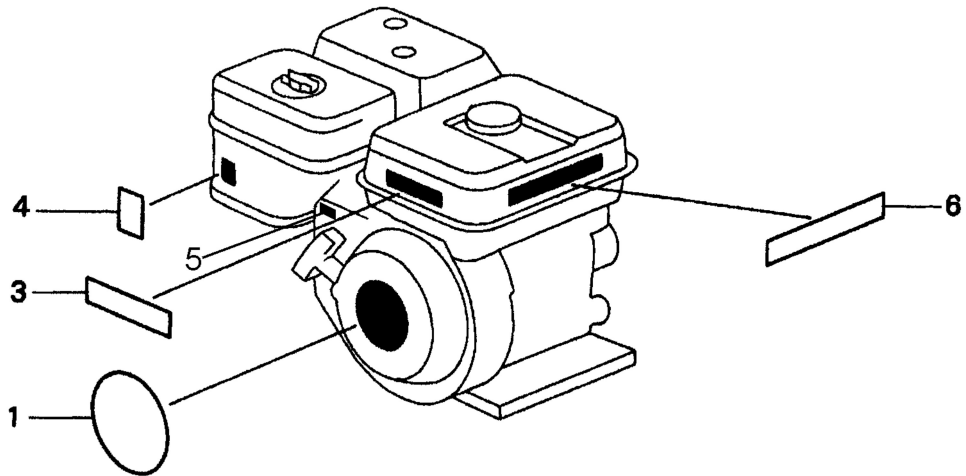
<u>NO.</u>	<u>PART NO.</u>	<u>PART NAME</u>	<u>QTY.</u>	<u>REMARKS</u>
1\$	11381ZH7800	GASKET, CASE COVER	1	
2\$	12251ZH7800	GASKET, CYLINDER HEAD	1	
3\$	12391ZE1000	GASKET, CYLINDER HEAD COVER	1	
4\$	16212ZH7800	GASKET, INSULATOR	1	
5\$	16221ZH8801	GASKET, CARBURETOR	1	
6\$◆	18381ZH8800	GASKET, MUFFLER	1	
6\$◇	18381ZH8800	GASKET, MUFFLER.....	1.....	S/N 1060773 AND BELOW
6\$◇	18381Z0T801	GASKET, MUFFLER.....	1.....	S/N 1060774 AND ABOVE
7◆	06111ZH7405	GASKET KIT.....	1.....	INCLUDES ITEMS W/\$
7◇	061A1ZH7010	GASKET KIT.....	1.....	INCLUDES ITEMS W/\$

**NOTICE**

- ◆ GX120K1QX2: AUGUST 2008 AND BELOW
- ◇ GX120UT1QX2: SEPTEMBER 2008 AND ABOVE

# HONDA GX120K1QX2/UT1QX2 ENGINE — LABELS ASSY.

---



# HONDA GX120K1QX2/UT1QX2 ENGINE — LABELS ASSY.

LABELS ASSY.

<u>NO.</u>	<u>PART NO.</u>	<u>PART NAME</u>	<u>QTY.</u>	<u>REMARKS</u>
1◆	87521ZH7010	EMBLEM.....	1.....	S/N 2185870 TO 3841370
1◆	87521ZH7020	EMBLEM.....	1.....	S/N 3841371 TO 4142243
1◆	87521ZH7030	EMBLEM (4.0) .....	1.....	S/N 4142244 AND ABOVE
1◇	87521ZH7030	EMBLEM, (4.0) .....	1.....	S/N 1120058 AND BELOW
1◇	87521ZH7040	EMBLEM, GX120.....	1.....	S/N 1120059 AND ABOVE
3◆	87522ZH9000	LABEL, CAUTION	1	
4◆	87528ZE1810	MARK, CHOKE	1	
4◇	87528ZH7000	MARK, CHOKE (GRAY)	1	
5	87532ZH7000	THROTTLE INDICATION	1	
6	87532ZH8810	MARK, OIL ALERT (E)	1	

## NOTICE

- ◆ GX120K1QX2: AUGUST 2008 AND BELOW
- ◇ GX120UT1QX2: SEPTEMBER 2008 AND ABOVE