

# OPERATION AND PARTS MANUAL



## C-4 FINISHER WALK-BEHIND TROWEL

MODEL # \_\_\_\_\_

SERIAL # \_\_\_\_\_

Revision #1 (07/24/02)

© COPYRIGHT 2002, MULTIQIP INC.



**MULTIQIP INC.**

18910 WILMINGTON AVE.  
CARSON, CALIFORNIA 90746  
310-537-3700  
800-421-1244  
FAX: 310-537-3927

**PARTS DEPARTMENT:**

800-427-1244  
FAX: 800-672-7877  
**SERVICE DEPARTMENT/TECHNICAL ASSISTANCE:**  
800-478-1244  
FAX: 310-631-5032

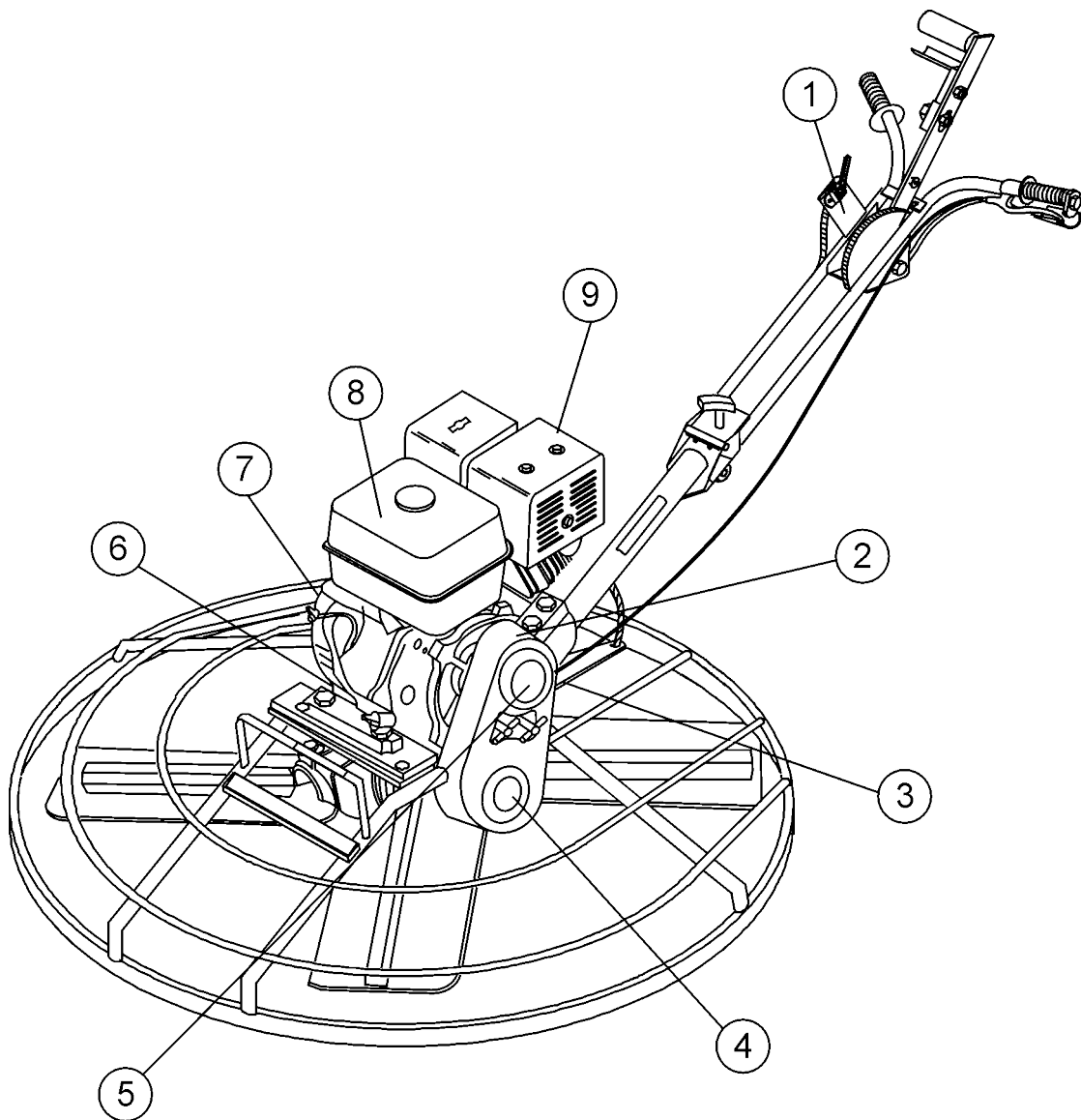
**E-mail: [mq@multiquip.com](mailto:mq@multiquip.com) • [www.multiquip.com](http://www.multiquip.com)**

Atlanta • Boise • Dallas • Houston • Newark  
Montreal, Canada • Manchester, UK  
Rio De Janeiro, Brazil • Guadalajara, Mexico

**P/N 10689**

# C-4 FINISHER TROWEL — NAMEPLATE AND DECALS

## NAMEPLATE AND DECALS



## C-4 FINISHER TROWEL — NAMEPLATE AND DECALS

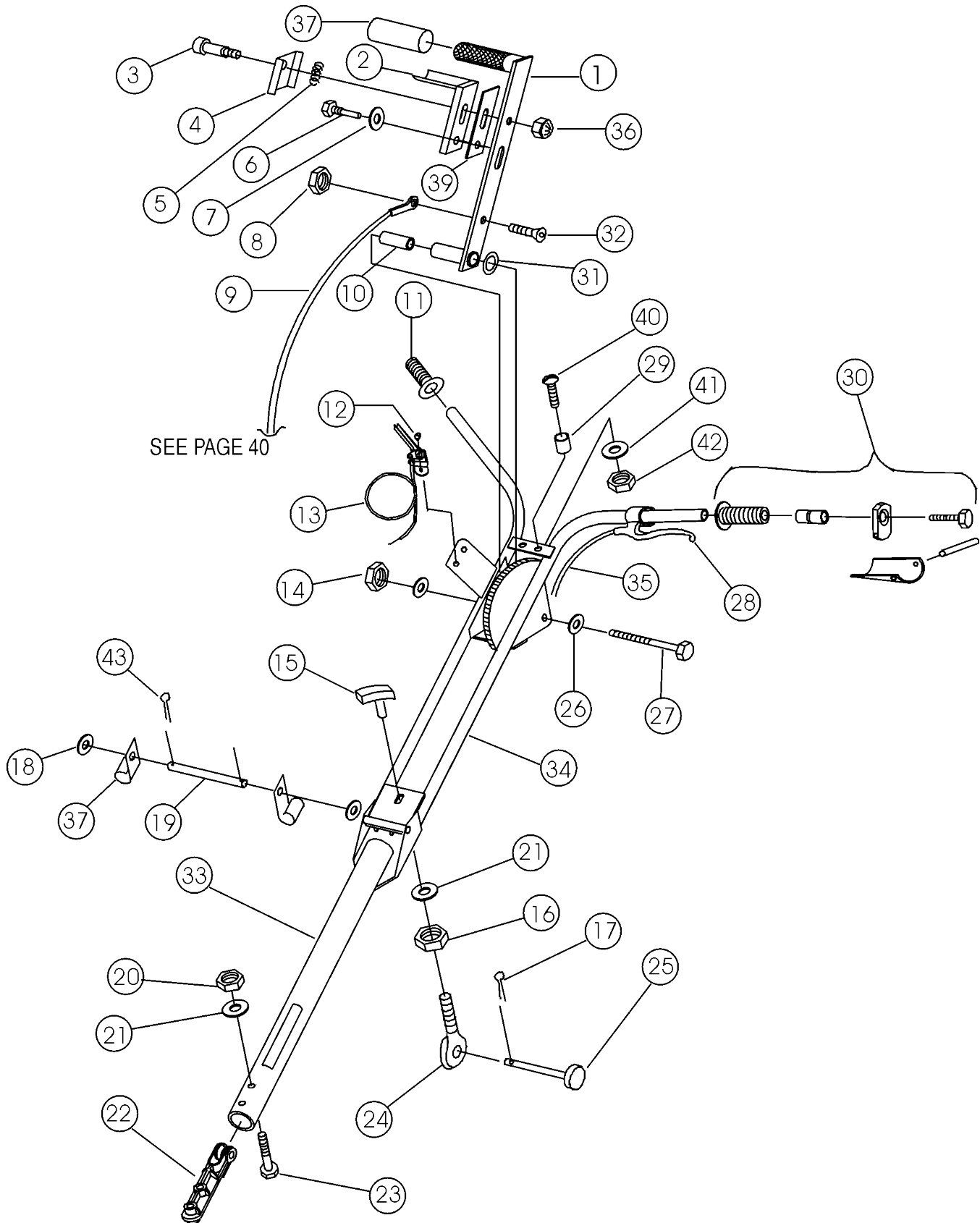
### NAMEPLATE AND DECALS

<u>NO.</u>	<u>PART NO.</u>	<u>PART NAME</u>	<u>QTY.</u>	<u>REMARKS</u>
1	10732	DECAL: CAUTION PITCH HANDLE	1	
2	11246	DECAL: BELT DRIVE .....	1	PART OF DECAL KIT 12620
3	11246	DECAL: GEAR DRIVE .....	1	PART OF DECAL KIT 12620
4	11246	DECAL: COUNTER CLOCKWISE .....	1	PART OF DECAL KIT 12620
5	1848	DECAL: MQ/WHITEMAN LOGO	1	
6	11246	DECAL: CHECK OIL .....	1	PART OF DECAL KIT 12620
7		DECAL: NAME PLATE .....	1	CONTACT MULTIQIP PARTS DEPARTMENT
8	11247	DECAL: HELMET, FOOT AND GLOVE .....	1	PART OF DECAL KIT P/N 12620
9	11246	DECAL: HEAT .....	1	PART OF DECAL KIT P/N 12620

SEE DECAL ILLUSTRATIONS ON PAGE 12

# C-4 FINISHER TROWEL — QUICK PITCH™ HANDLE ASSY.

QUICK PITCH™ HANDLE ASSY.



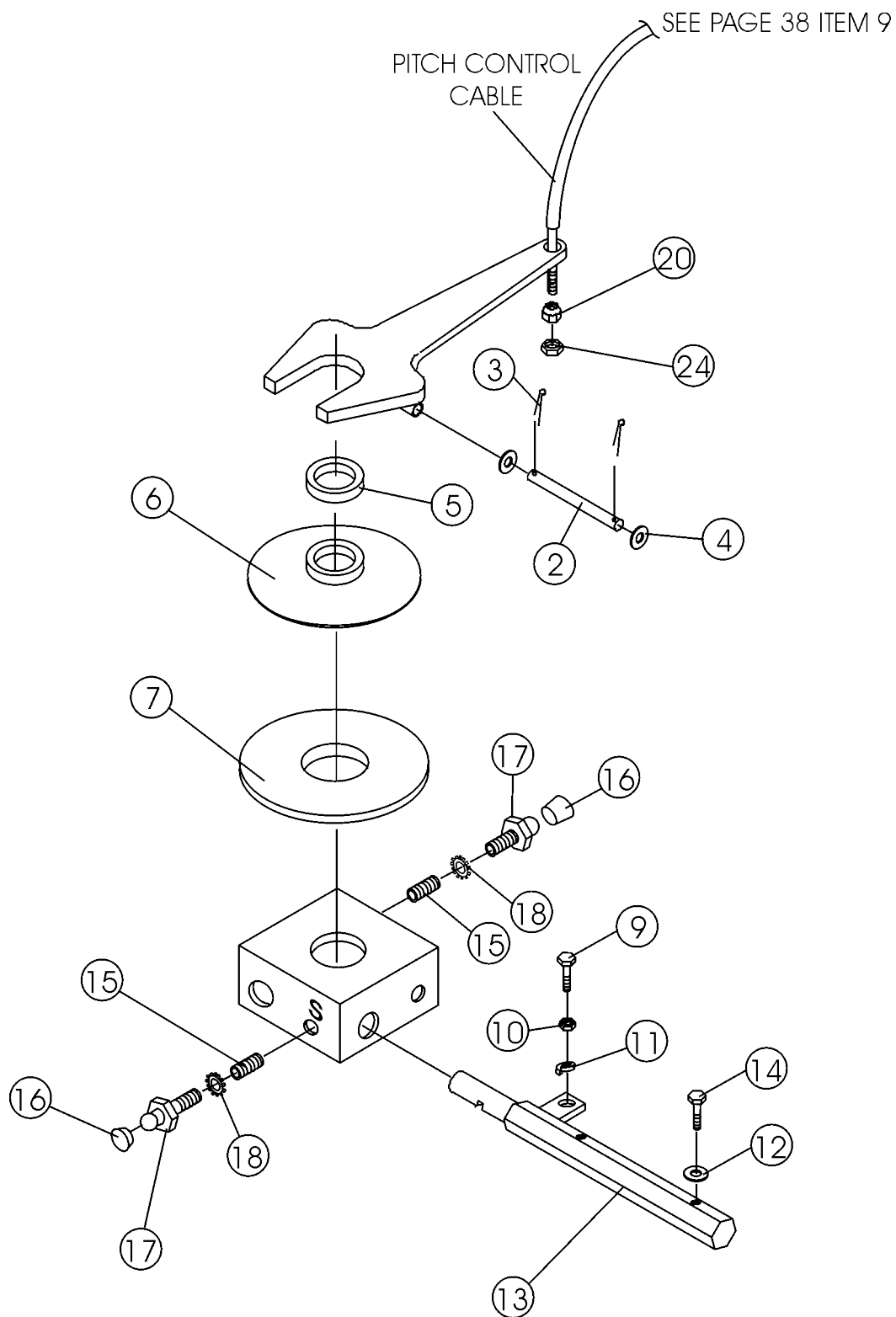
## C-4 FINISHER TROWEL — QUICK PITCH™ HANDLE ASSY.

### QUICK PITCH™ HANDLE ASSY.

<u>NO.</u>	<u>PART NO.</u>	<u>PART NAME</u>	<u>QTY.</u>	<u>REMARKS</u>
1	10657	PITCH CONTROL HANDLE	1	
2	10881	LATCHING BAR	1	
3	3910382	SHOULDER BOLT 3/8 X 3/8	1	
4	10655	LATCH RETURN SPRING COVER	1	
5	10654	LATCH RETURN SPRING	1	
6	10659	QP LATCHING BOLT	1	
6	10878	QP LATCHING BOLT	1	
7	0161C	LOCK WASHER 5/16"	1	
8	10024	LOCK NUT 1/4- 20	1	
9	10652	PITCH CONTROL CABLE	1	
10	10658	CONTROL HANDLE SUPPORT TUBE	1	
11	0189	HANDLE GRIP	1	
12	0304	RHMS 10- 24 X 1/4"	2	
13	0302	THROTTLE ASSEMBLY CABLE	1	
14	5283	LOCK NUT 5/16- 18	1	
15	10651	STAR WHEEL	1	
16	1456	HEX FINISH NUT 3/8- 16	1	
17	3216	COTTER PIN	3	
18	0948	FLAT WASHER 1/4"	2	
19	10629	HANDLE HINGE PIN	1	
20	10133	LOCK NUT 3/8- 16	2	
21	10136	FLAT WASHER 3/8"	3	
22	1117	SUPPORT BLOCK	1	
23	1121	HHCS 3/8- 16 X 2.3/4"	2	
24	10701	SWING BOLT	1	
25	5291	CLEVIS PIN	1	
26	0300B	FLAT WASHER 5/16"	2	
27	0669A	HHCS 5/16- 18 X 2.1/4"	1	
28	1512	CLUTCH HAND LEVER	1	
29	10843	PAD	1	
30	10036	CLUTCH ASSIST HANDLE ASSY..	1	
31	10660	SHIM	1	
32	3164	FHSCS 1/4- 20 X 1"	1	
33	10634	LOWER HANDLE	1	
34	10635	UPPER HANDLE	1	
35	10653	CLUTCH CABLE ASSY..	1	
36	10676	ACORN NUT 5/16- 18	1	
37	8128	CLAMP	2	
39	11015	HANDLE SLIDER	1	

# C-4 FINISHER TROWEL — SPIDER ASSY.

SPIDER ASSY.



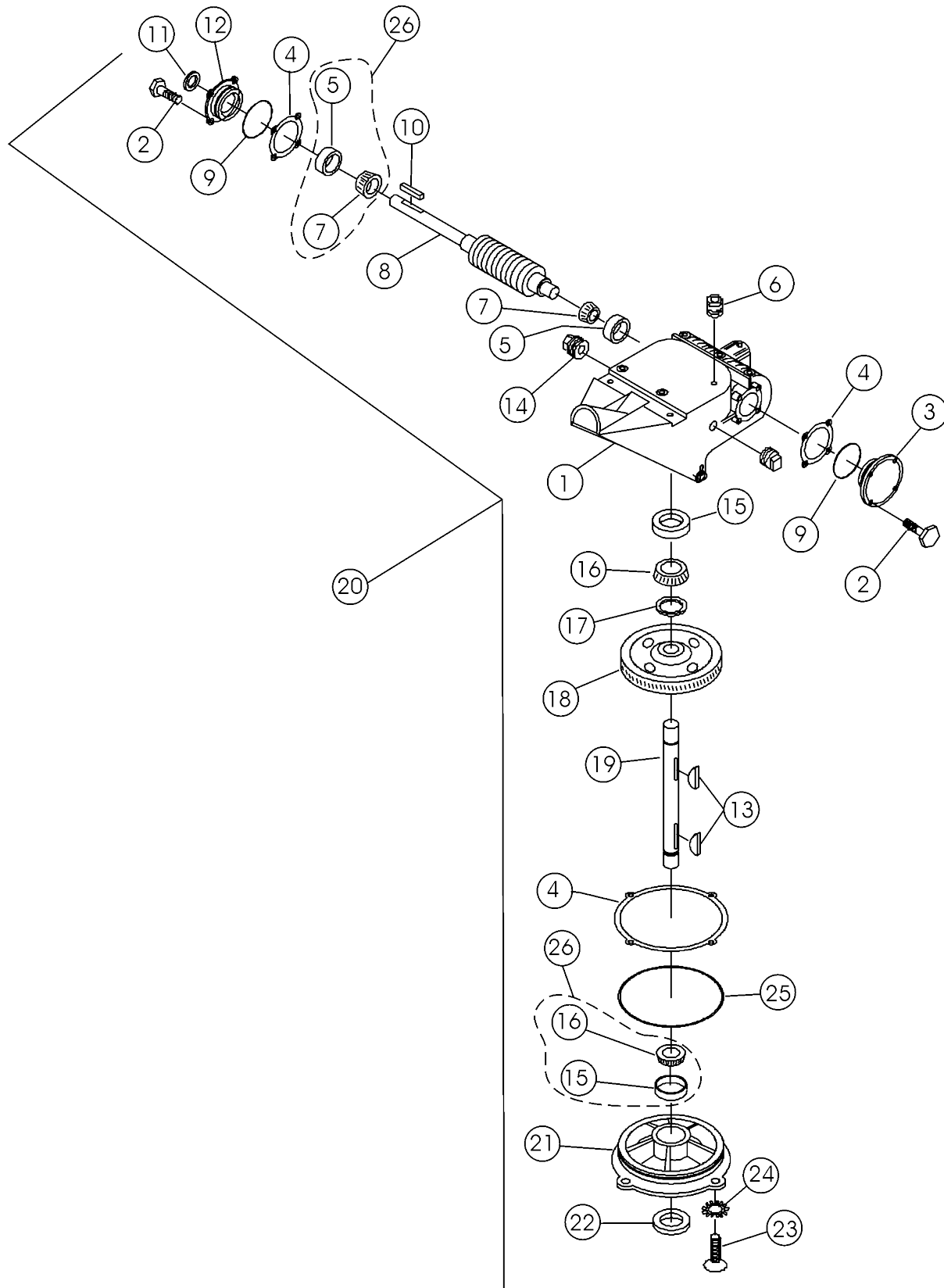
## C-4 FINISHER TROWEL — SPIDER ASSY.

SPIDER ASSY.

<u>NO.</u>	<u>PART NO.</u>	<u>PART NAME</u>	<u>QTY.</u>	<u>REMARKS</u>
1	10640	YOKE	1	
2	10662	YOKE PIN	1	
3	5117	COTTER PIN	2	
4	0948	FLAT WASHER 1/4"	2	
5	10607	THRUST BEARING	1	
6	10567	THRUST COLLAR	1	
7	10639	WEAR PLATE	1	
8	10563	SPIDER	1	
9	0164B	HHCS 3/8- 16 X 1.1/4" F.T.	4	
10	1876	JAM NUT 3/8- 16	4	
11	0166A	LOCK WASHER 3/8"	4	
12	0181B	LOCK WASHER 1/4"	8	
13	10585	TROWEL ARM .....	4	..... TO ME34571
13	10768	TROWEL ARM .....	4	..... FROM ME34572
14	10790	HHCSM6- 1 X 30MM	8	
15	0685	SHSS 5/16- 18 X 5/16"	2	
16	1162A	GREASE ZERK CAP	4	
17	10587	ARM RETAINING SCREW	4	
18	1875	INT. SHKP. WASHER 3/8"	4	
19	0244	COMBO BLADE ASM.	4	
20	10698	ADJUSTING NUT 5/16- 18	1	
23	10687	BLADE ASM. (WITH SCREWS & NUTS)	4	
24	1116	BRASS JAM NUT 5/16- 18	1	

# C-4 FINISHER TROWEL — GEARBOX ASSY.

GEARBOX ASSY.





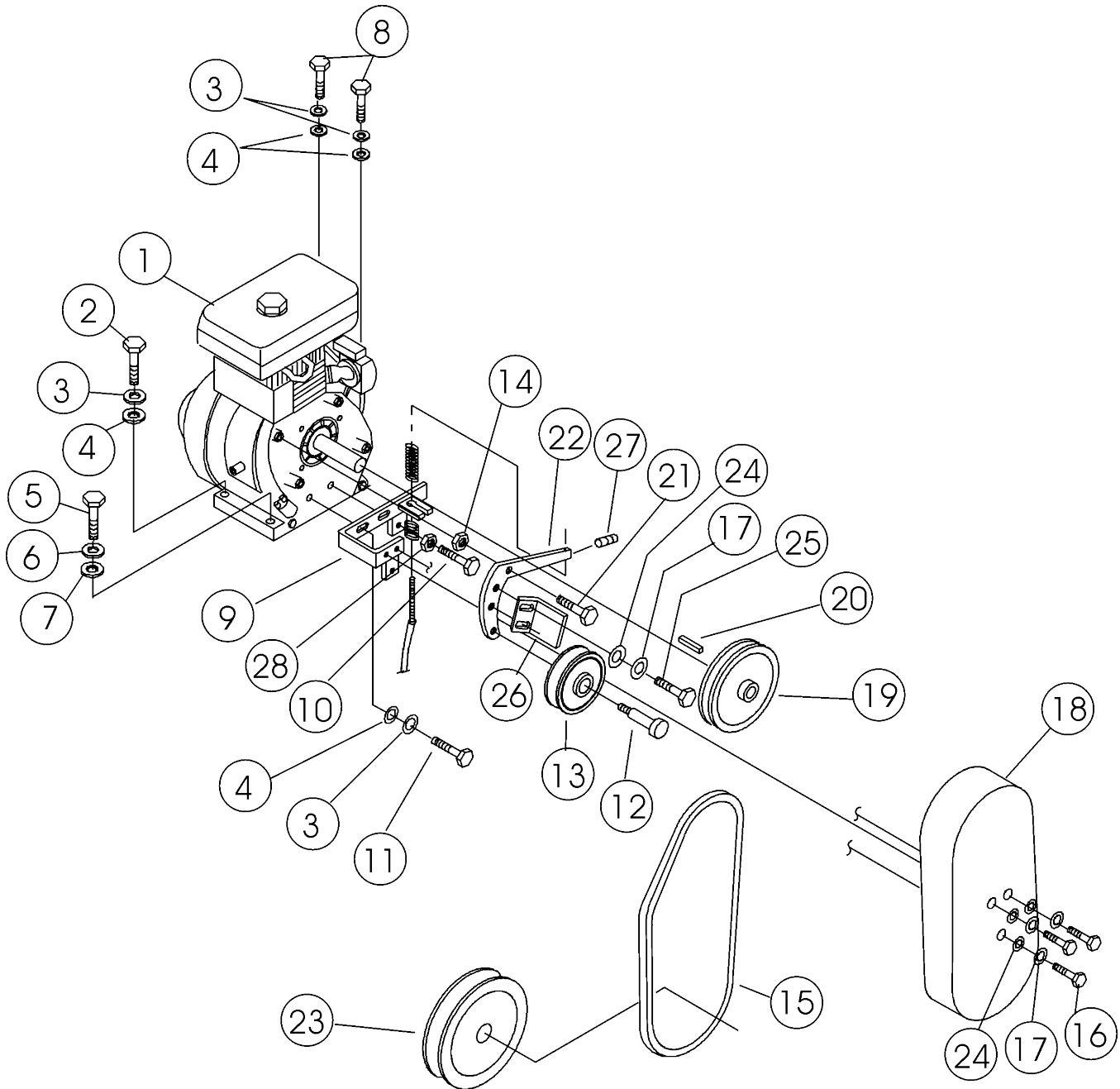
## C-4 FINISHER TROWEL — GEARBOX ASSY.

### GEARBOX ASSY.

<u>NO.</u>	<u>PART NO.</u>	<u>PART NAME</u>	<u>QTY.</u>	<u>REMARKS</u>
1*	10583	GEAR CASE	1	
2*	0131A	HHCS 1/4- 20 X 3/4	8	
3*	1136	END CAP	1	
4*	2614	GASKET KIT		
5*%	0735A	BEARING CUP	2	
6*	1132	AIR VENT	1	
7*%	0735	BEARING CONE	2	
8*	1828	WORM & COUNTER SHAFT	1	
9*	2308	O- RING	2	
10	0627	SQUARE KEY 3/16 X 3/16 X 1.1/4"	1	
11*	0753	OIL SEAL	1	
12*	1133	FLANGE	1	
13*	1139	WOODRUFF KEY #21	2	
14*	0121A	SQUARE HEAD PIPE PLUG 3/8"	1	
15*%	0232A	BEARING CUP	2	
16*%	0232	BEARING CONE	2	
17*	1138	RETAINING RING	1	
18*	1202	BRONZE GEAR	1	
19*	10580	MAIN SHAFT	1	
20	10686	GEARBOX ASSY. ....	1	INCLUDES ITEMS W/*
21*	1145	COVER PLATE	1	
22*	0254	OIL SEAL	1	
23*	1146	FHSCS 5/16- 18 X 1"	4	
24*	10235	EXT. SHKP. LOCK WASHER 5/16"	4	
25*	1143	SEAL RING	1	
26	2616	BEARING REPLACEMENT KIT .....	1	INCLUDES ITEMS W/%

# C-4 FINISHER TROWEL — ENGINE, 2.5 HP HONDA ASSY.

ENGINE, 2.5 HP HONDA ASSY.



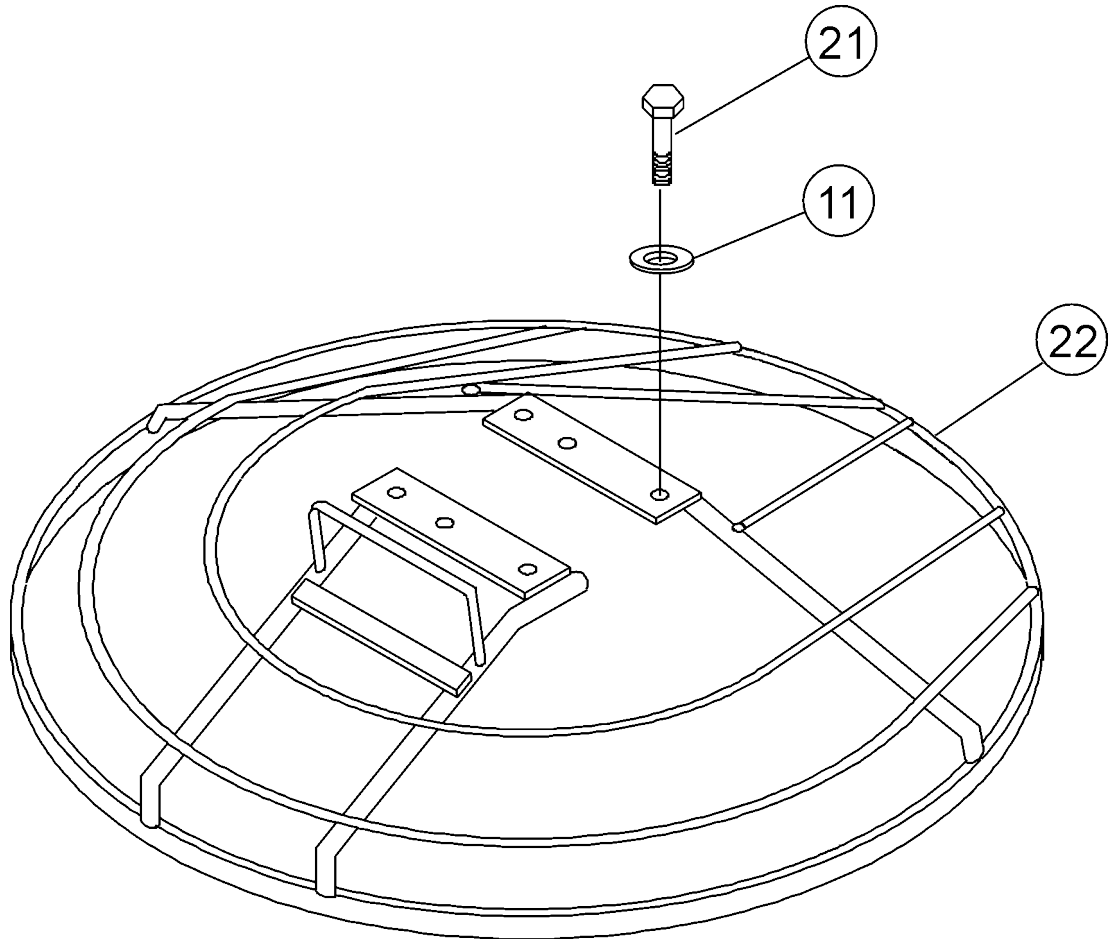
## C-4 FINISHER TROWEL — ENGINE, 2.5 HP HONDA ASSY.

ENGINE, 2.5 HP HONDA ASSY.

<u>NO.</u>	<u>PART NO.</u>	<u>PART NAME</u>	<u>QTY.</u>	<u>REMARKS</u>
1	10649	ENGINE, 2.8 HP. HONDA G100	1	
2	0202	HHCS 5/16- 18 X 1"	1	
3	0161C	LOCK WASHER 5/16"	5	
4	0300B	FLAT WASHER 5/16"	5	
5	0205	HHCS 3/8- 16 X 1"	1	
6	0166A	LOCK WASHER 3/8"	1	
7	10136	FLAT WASHER 3/8"	1	
8	0655	HHCS 5/16- 18 X 3/4"	2	
9	10644	CLUTCH BRACKET	1	
10	5277	HHCS 1/4- 20 X 1.1/2"	1	
11	2866	HHCS M8- 1.25 X 20MM	2	
12	10282	SHOULDER BOLT 3/8 X 1"	1	
13	10608	IDLER PULLEY	1	
14	10370	HEX NUT M8- 1.25	1	
15	10611	BELT (A21)	1	
16	0730	HHCS 1/4- 20 X 1"	3	
17	0181B	LOCK WASHER 1/4"	5	
18	10661	BELT GUARD	1	
19	10609	PULLEY	1	
20	2126	SQUARE KEY 3/16 X 3/16 X 13/16"	1	
21	1605	HHCSM8- 1.25 X 25MM	1	
22	10641	CLUTCH LEVER	1	
23	10610	PULLEY	1	
24	0948	FLAT WASHER 1/4"	5	
25	1579	HHCS 1/4- 20 X 1/2"	2	
26	10740	BELT TENSIONING SHOE	1	
27	10450	SHSS 10- 32 X 1/4"	1	
28	0949	HEX NUT 1/4- 20	1	

# C-4 FINISHER TROWEL — GUARD RING ASSY.

GUARD RING ASSY.



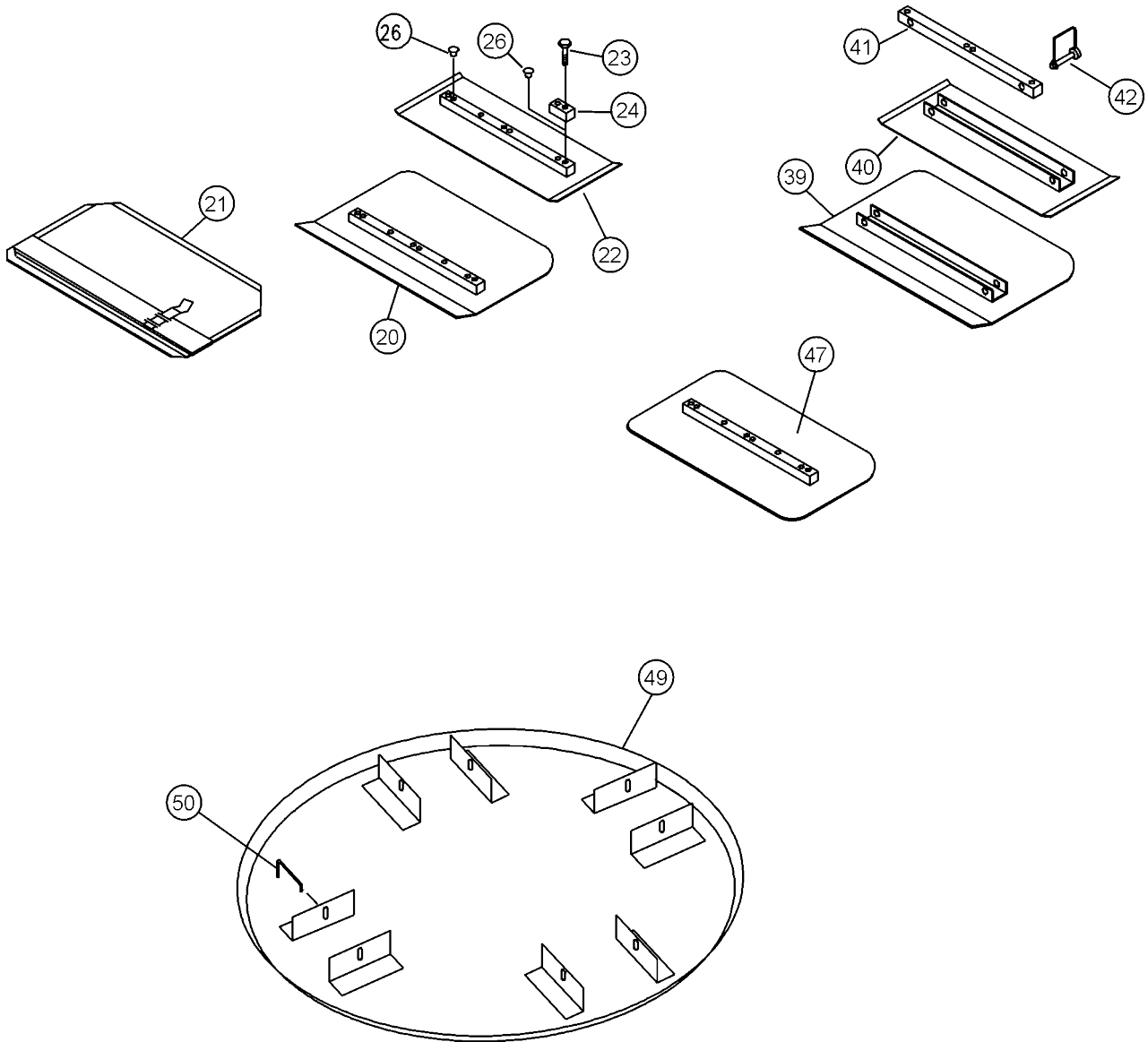
# C-4 FINISHER TROWEL — GUARD RING ASSY.

GUARD RING ASSY.

<u>NO.</u>	<u>PART NO.</u>	<u>PART NAME</u>	<u>QTY.</u>	<u>REMARKS</u>
11	0166A	LOCK WASHER 3/8"	4	
21	0205	HHCS 3/8-16x1:	4	
22	10602	GUARD RING	1	

# C-4 FINISHER TROWEL — BLADES & ADJUSTMENT FIXTURE ASSY.

BLADES & ADJUSTMENT FIXTURE ASSY.



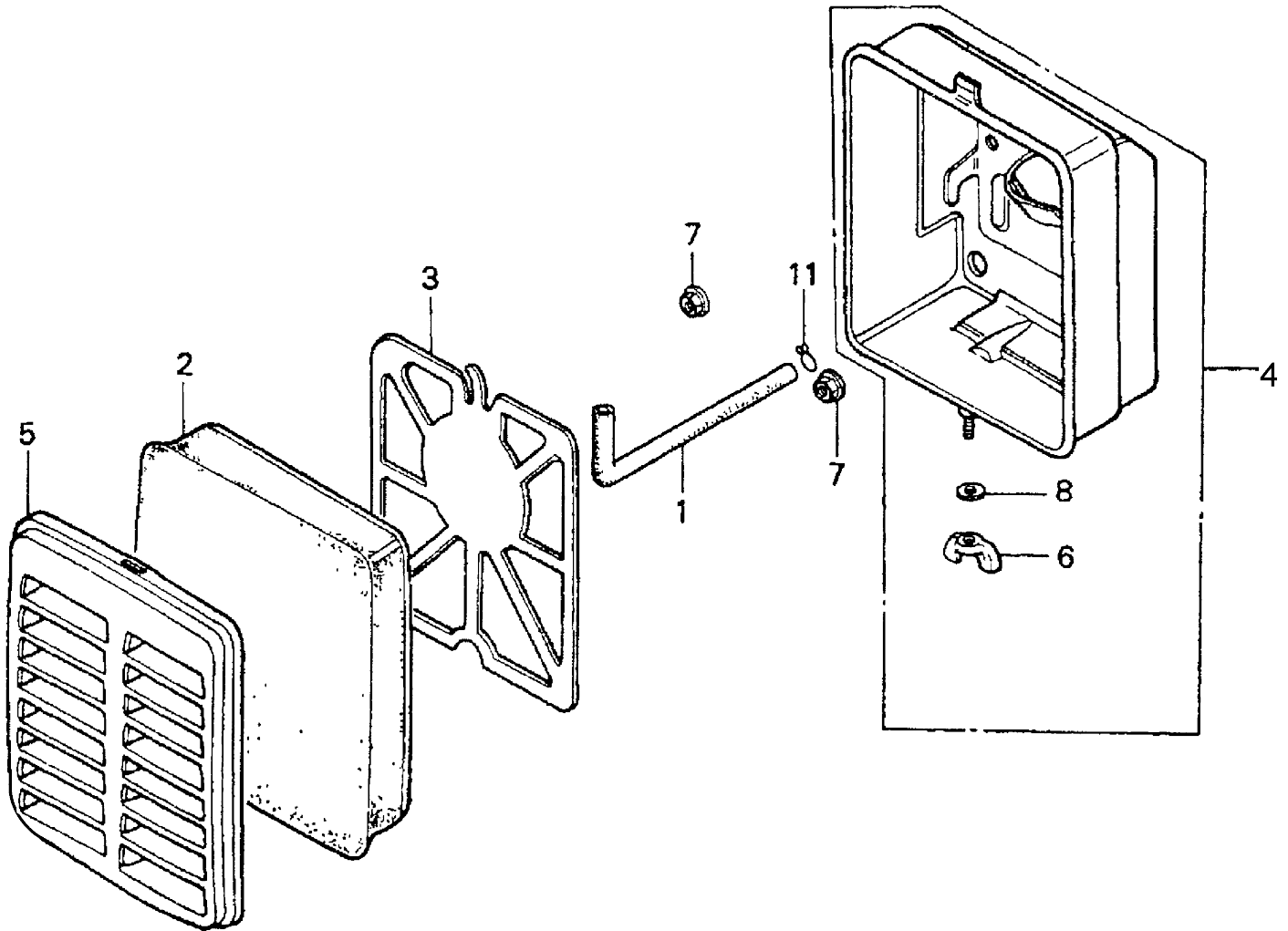
# C-4 FINISHER TROWEL — BLADES & ADJUSTMENT FIXTURE ASSY.

**BLADES & ADJUSTMENT FIXTURE ASSY.**

<u>NO.</u>	<u>PART NO.</u>	<u>PART NAME</u>	<u>QTY.</u>	<u>REMARKS</u>
20		COMBO FLOAT & FINISH BLADE .....	4 .....	CONTACT UNIT SALES DEPT./ACCESSORY ITEM
20		ENDURO COMBO FLOAT &FINISH BLADE .....	4 .....	CONTACT UNIT SALES DEPT./ACCESSORY ITEM
21		FLOAT BLADE .....	4 .....	CONTACT UNIT SALES DEPT./ACCESSORY ITEM
22		FINISH BLADE .....	4 .....	CONTACT UNIT SALES DEPT./ACCESSORY ITEM
22		ENDURO FINISH BLADE W/ROTATING .....	4 .....	CONTACT UNIT SALES DEPT./ACCESSORY ITEM
23	0202	HHCS 5/16-18X1" RING	4	
24	0201	GUARD RING LUG RING	4	
26	1434	TROWEL LUG (FINISH BLADE ONLY)	4	
39		UNIVERSAL COMBO BLADE .....	4 .....	CONTACT UNIT SALES DEPT./ACCESSORY ITEM
39		ENDURO UNIVERSAL COMBO BLADE .....	4 .....	CONTACT UNIT SALES DEPT./ACCESSORY ITEM
40		UNIVERSAL FINISH BLADE .....	4 .....	CONTACT UNIT SALES DEPT./ACCESSORY ITEM
40		ENDURO UNIVERSAL FINISH BLADE .....	4 .....	CONTACT UNIT SALES DEPT./ACCESSORY ITEM
41		UNIVERSAL MOUNTING BAR .....	4 .....	CONTACT UNIT SALES DEPT./ACCESSORY ITEM
42		SNAP PIN 1/4"X1.3/4" .....	8 .....	CONTACT UNIT SALES DEPT./ACCESSORY ITEM
47		REVERSIBLE COMBO BLADE .....	4 .....	CONTACT UNIT SALES DEPT./ACCESSORY ITEM
49		FLOAT DISC .....	1 .....	CONTACT UNIT SALES DEPT./ACCESSORY ITEM
50		FLOAT DISC LATCH PIN .....	4 .....	CONTACT UNIT SALES DEPT./ACCESSORY ITEM

# HONDA G100K2QA2 ENGINE — AIR CLEANER ASSY.

AIR CLEANER ASSY.





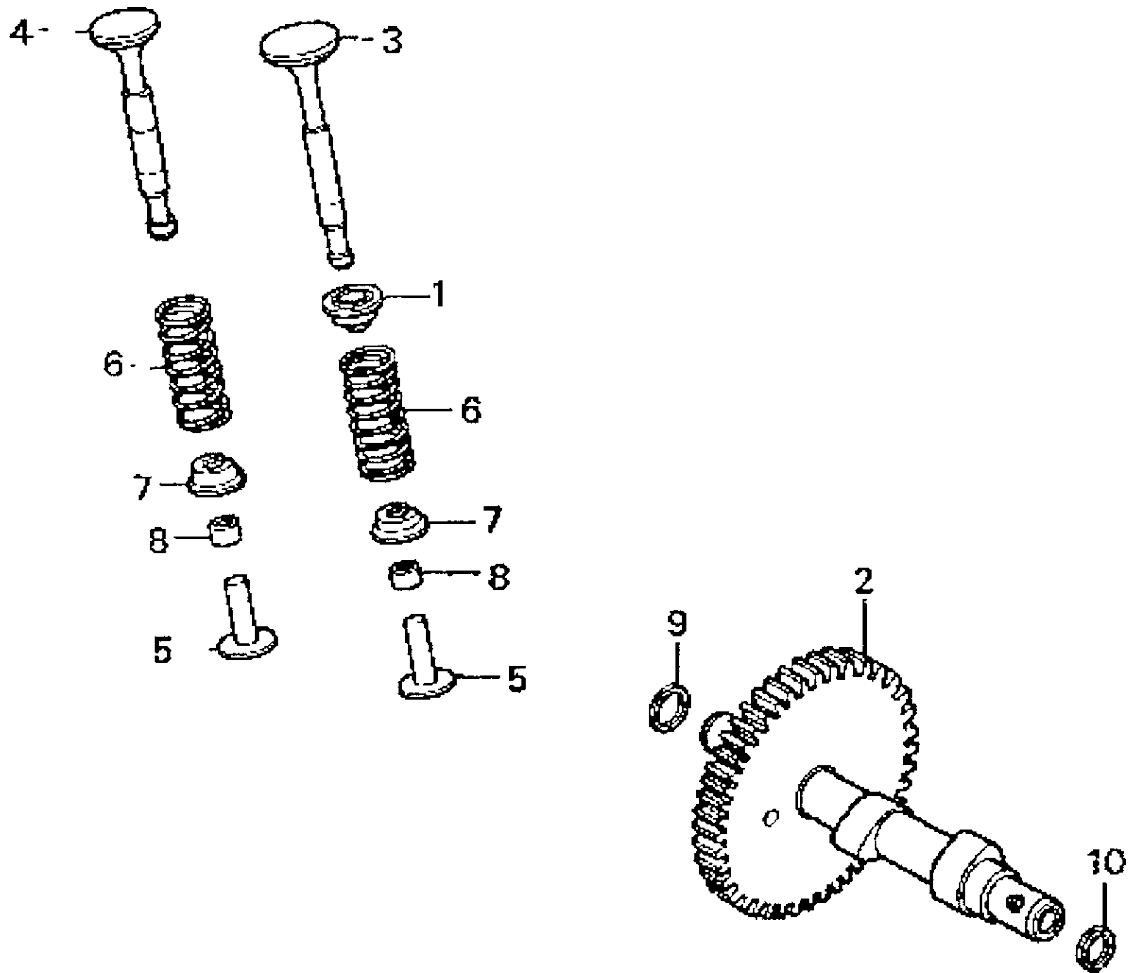
# HONDA G100K2QA2 ENGINE — AIR CLEANER ASSY.

## AIR CLEANER ASSY.

<u>NO.</u>	<u>PART NO.</u>	<u>PART NAME</u>	<u>QTY.</u>	<u>REMARKS</u>
1	15721896010	TUBE, BREATHER	1	
2	17211896000	ELEMENT, AIR CLEANER	1	
3	17212896000	GRID, AIR CLEANER	1	
4	17220ZG0000	HOUSING, AIR CLEANER	1	
5	17231ZG0000	COVER, AIR CLEANER	1	
6	90325044000	WING NUT, TOOL BOX SETTING	1	
7	9405005000	NUT, FLANGE 5MM	2	
8	9410106800	WASHER, PLAIN 6MM	1	

# HONDA G100K2QA2 ENGINE — CAMSHAFT ASSY.

CAMSHAFT ASSY.



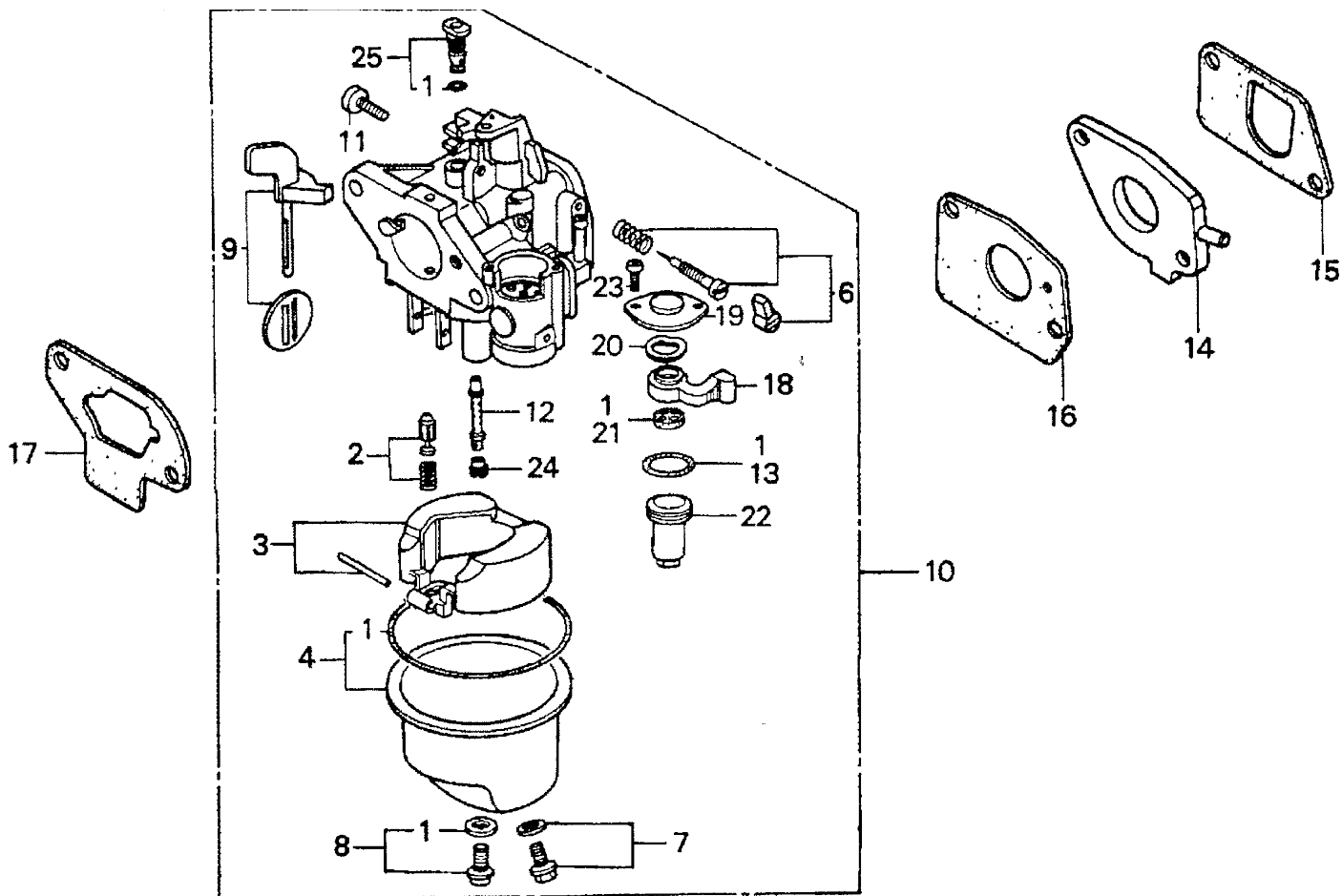
## HONDA G100K2QA2 ENGINE — CAMSHAFT ASSY.

### CAMSHAFT ASSY.

<u>NO.</u>	<u>PART NO.</u>	<u>PART NAME</u>	<u>QTY.</u>	<u>REMARKS</u>
1	12209ZG1H11	SEAL, VALVE STEM	1	
2	14111ZC0000	CAMSHAFT	1	
3	14711ZG1H10	VALVE, IN.	1	
4	14721ZG1H10	VALVE, EX.	1	
5	14732ZC0000	LIFTER, VALVE	2	
6	14751896000	SPRING, VALVE	2	
7	14771ZG0000	RETAINER, VALVE SPRING	2	
8	14801892000	ADJUSTER, TAPPET CLEARANCE 3.15	2	
8	14803892000	ADJUSTER, TAPPET CLEARANCE 3.25	2	
8	14806892000	ADJUSTER, TAPPET CLEARANCE 3.34	2	
8	14809892000	ADJUSTER, TAPPET CLEARANCE 3.43	2	
8	14812892000	ADJUSTER, TAPPET CLEARANCE 3.52	2	
8	14815892000	ADJUSTER, TAPPET CLEARANCE 3.61	2	
8	14818892000	ADJUSTER, TAPPET CLEARANCE 3.72	2	
8	14820892000	ADJUSTER, TAPPET CLEARANCE 3.82	2	
9	90452ZG0000	WASHER 12MM	1	
10	90452ZG0000	WASHER 12MM	1	

# HONDA G100K2QA2 ENGINE — CARBURETOR ASSY.

CARBURETOR ASSY.



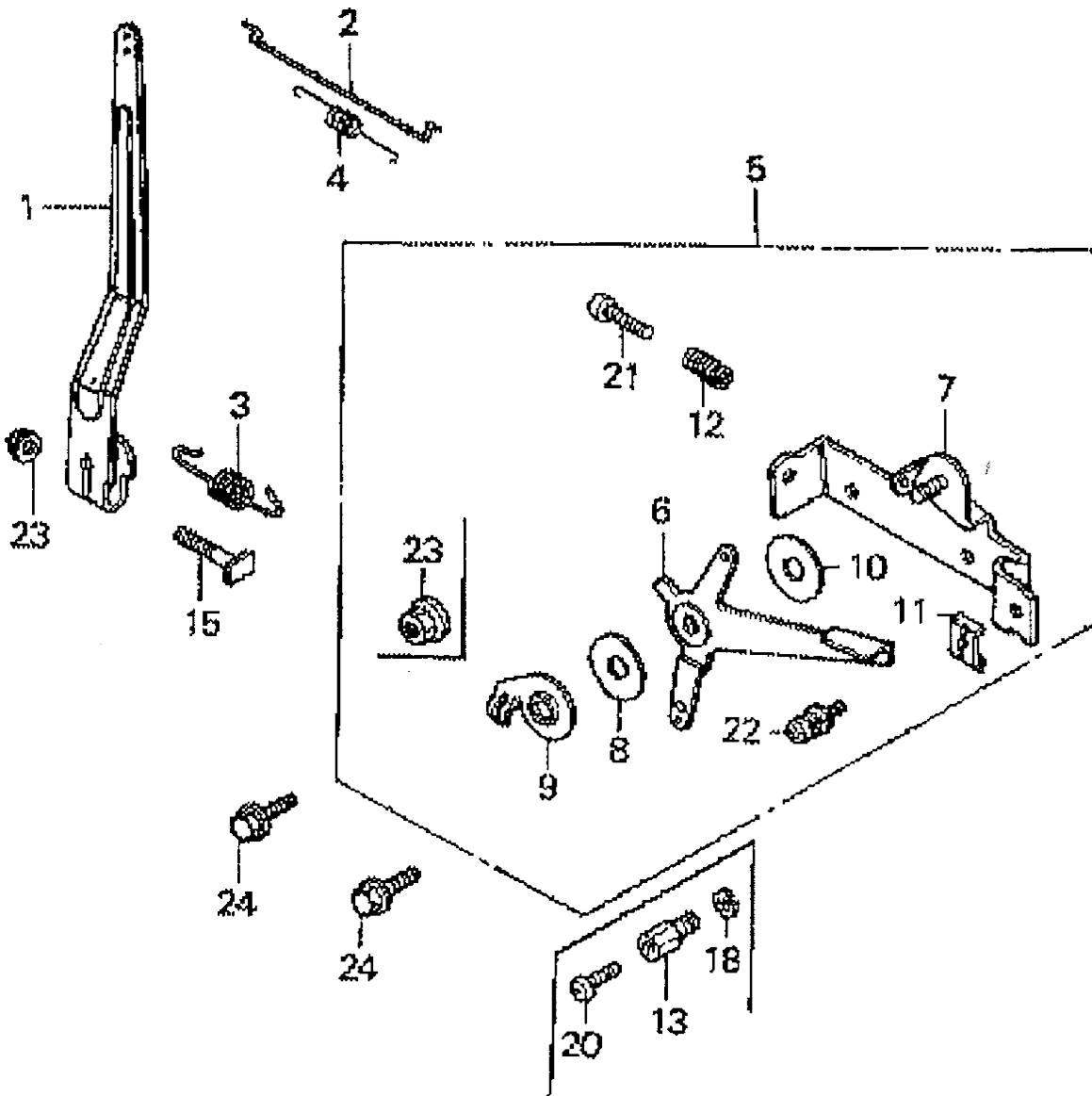
# HONDA G100K2QA2 ENGINE — CARBURETOR ASSY.

## CARBURETOR ASSY.

<u>NO.</u>	<u>PART NO.</u>	<u>PART NAME</u>	<u>QTY.</u>	<u>REMARKS</u>
1*	16010ZG0812	GASKET SET	1	
2*	16011ZE0005	VALVE SET, FLOAT	1	
3*	16013ZG0811	FLOAT SET	1	
4*	16015ZG0811	CHAMBER SET, FLOAT	1	
6*	16016ZG0W00	SCREW SET	1	
7*	16024ZE1811	SCREW SET, DRAIN	1	
8*	16028ZG0811	SCREW SET	1	
9*	16044ZG0W00	CHOKE SET	1	
10	16100ZG0W02	CARBURETOR ASSEMBLY BF11B B .....	1 .....	INCLUDES ITEMS W/*
11*	16124ZE0005	SCREW, THROTTLE STOP	1	
12*	16166ZG0W01	NOZZLE, MAIN	1	
13*	16173ZG0811	O-RING	1	
14	16211ZG0020	INSULATOR, CARBURETOR	1	
15	16212ZG0800	GASKET, INSULATOR	1	
16	16221ZG0801	GASKET, CARBURETOR	1	
17	16269ZG0800	GASKET, AIR CLEANER	1	
18*	16953ZG0812	LEVER, VALVE	1	
19*	16954ZE1812	PLATE, LEVER SETTING	1	
20*	16956ZE1811	SPRING, VALVE LEVER	1	
21*	16957ZE1812	GASKET, VALVE	1	
22*	16967ZG0811	CUP, FUEL STRAINER	1	
23*	93500030060H	SCREW, PAN 3X6	2	
24	99101ZG00500	JET, MAIN #50 (OPTIONAL)	1	
24	99101ZG00520	JET, MAIN #52 (OPTIONAL)	1	
24*	99101ZG00550	JET, MAIN #55	1	
25*	99204ZE00350	JET SET, PILOT #35	1	

# HONDA G100K2QA2 ENGINE — CONTROL ASSY.

CONTROL ASSY.



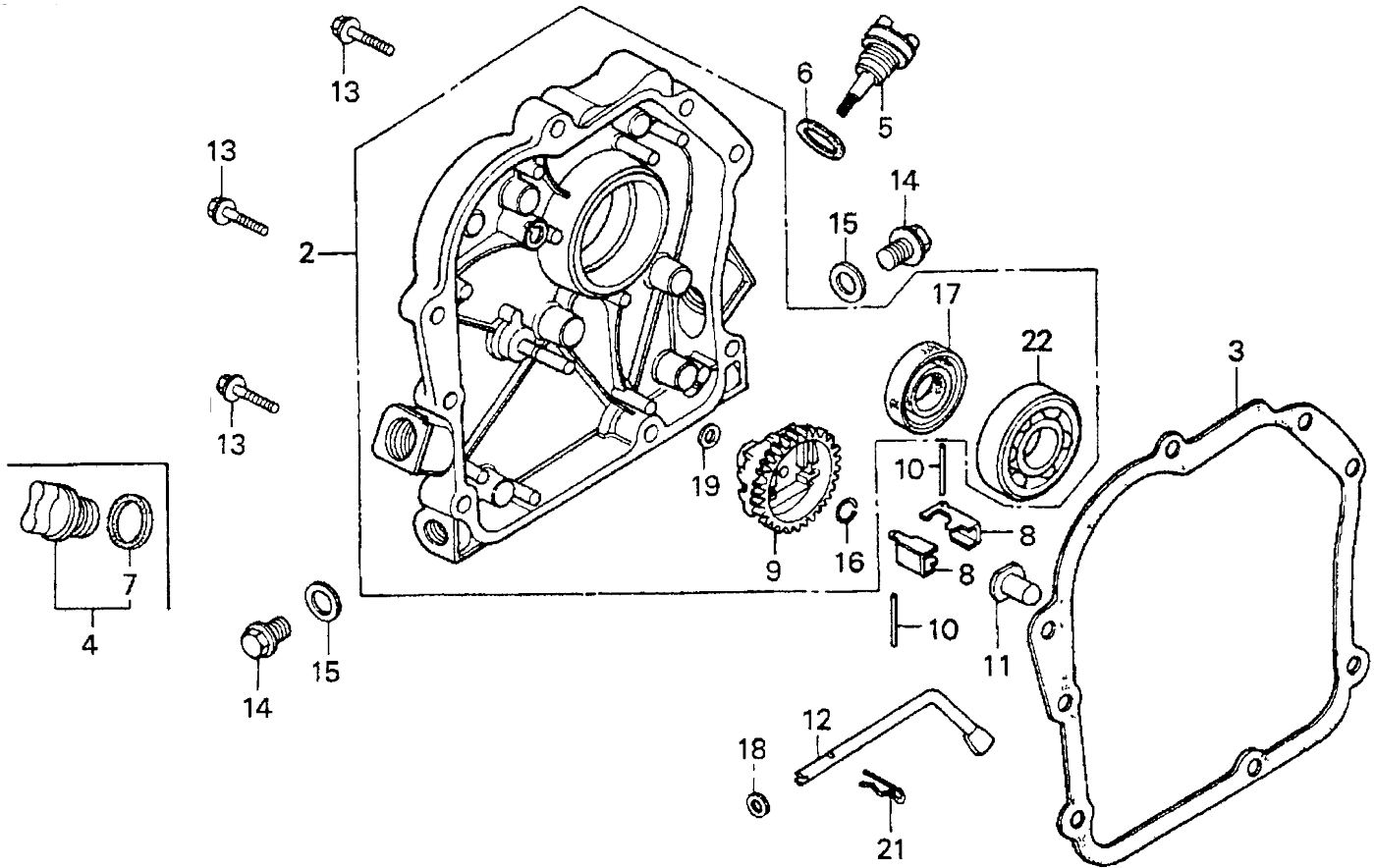
# HONDA G100K2QA2 ENGINE — CONTROL ASSY.

CONTROL ASSY.

<u>NO.</u>	<u>PART NO.</u>	<u>PART NAME</u>	<u>QTY.</u>	<u>REMARKS</u>
1	16551ZG0000	ARM, GOVERNOR	1	
2	16555ZG0000	ROD, GOVERNOR	1	
3	16561ZG0000	SPRING, GOVERNOR	1	
4	16562ZG0000	SPRING, THROTTLE RETURN	1	
5	16570ZG0W00	CONTROL ASSEMBLY, STANDARD .....	1 .....	INCLUDES ITEMS W/*
6*	16571ZG0000	LEVER, CONTROL (STANDARD)	1	
7*	16572ZG0000	BASE, CONTROL (STANDARD)	1	
8*	16574ZE1000	SPRING, LEVER	1	
9*	16575ZG0000	WASHER, CONTROL LEVER	1	
10*	16578ZE1000	SPACER, CONTROL LEVER	1	
11*	16576891000	HOLDER, CABLE	1	
12*	16584883300	SPRING, CONTROL ADJUSTING	1	
13	16594883010	HOLDER, WIRE (OPTIONAL)	1	
15	90015ZE5010	BOLT, GOVERNOR ARM	1	
18	90605230000	CIRCLIP 5MM (OPTIONAL)	1	
20	93500040080A	SCREW, PAN 4X8 (OPTIONAL)	1	
21*	93500050250A	SCREW, PAN 5X25	1	
22*	93500050160A	SCREW, PAN 5X16	1	
23*	9405006000	NUT, FLANGE 6MM	2	
24	90013883000	BOLT, FLANGE 6X12 (CT200)	2	

# HONDA G100K2QA2 ENGINE — CRANKCASE COVER ASSY.

CRANKCASE COVER ASSY.





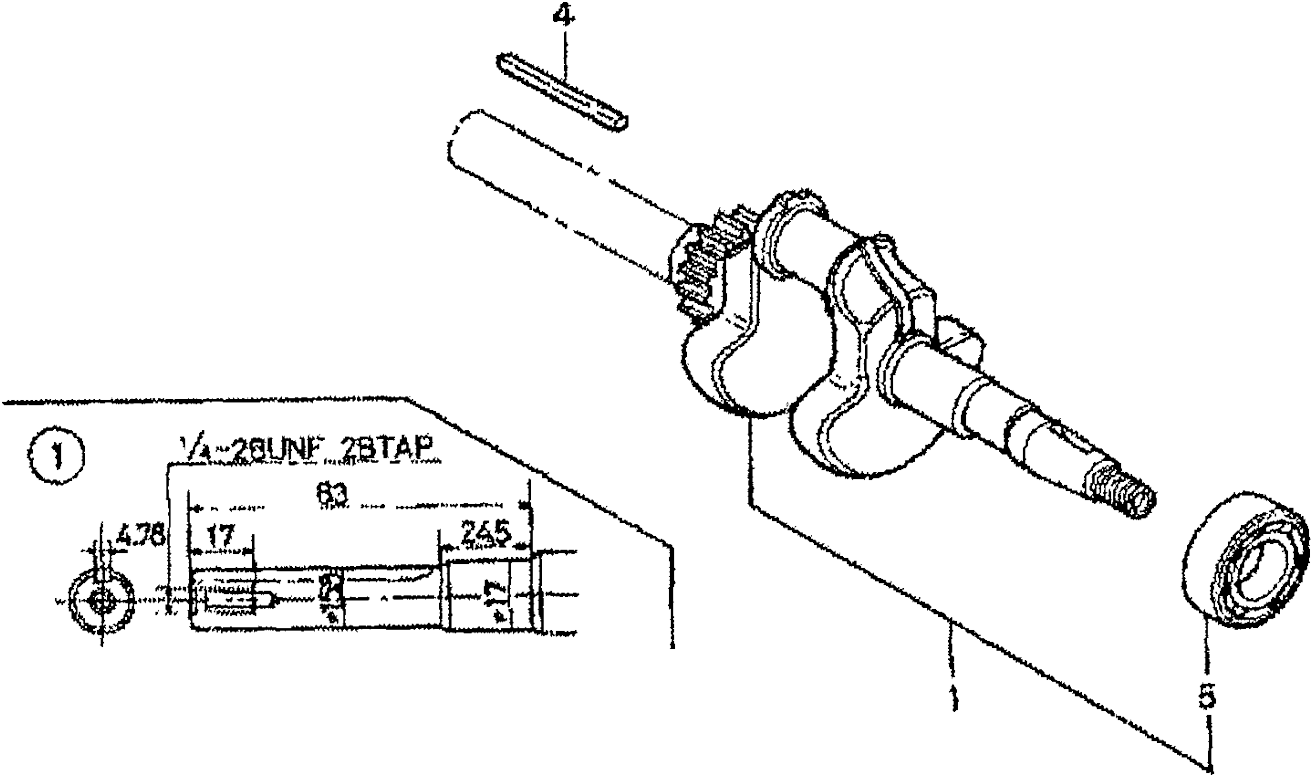
# HONDA G100K2QA2 ENGINE — CRANKCASE COVER ASSY.

## CRANKCASE COVER (1) ASSY.

<u>NO.</u>	<u>PART NO.</u>	<u>PART NAME</u>	<u>QTY.</u>	<u>REMARKS</u>
2	11300ZG0010	COVER ASSEMBLY, CRANKCASE .....	1 .....	INCLUDES ITEMS W/*
3	11381ZG0800	GASKET, CASE COVER	1	
4	15600ZG4003	CAP ASSEMBLY, OIL FILLER .....	1 .....	INCLUDES ITEMS W/#
5	15620ZG0003	CAP, OIL FILLER	1	
6	15625ZG0000	GASKET, OIL FILLER CAP	1	
7#	15625ZE1003	GASKET, OIL FILLER CAP	1	
8	16511896000	WEIGHT, GOVERNOR	2	
9*	16512ZG0000	HOLDER, GOVERNOR WEIGHT	1	
10	16513ZE1000	PIN, GOVERNOR WEIGHT	2	
11	16531ZG0000	SLIDER, GOVERNOR	1	
12	16541896000	SHAFT, GOVERNOR ARM	1	
13	90015883000	BOLT, FLANGE 6X28	6	
14	90131ZE1000	BOLT, DRAIN PLUG	2	
15	90601ZE1000	WASHER, DRAIN PLUG10.2MM	2	
16*	90602ZE1000	CLIP, GOVERNOR HOLDER	1	
17*	91202892004	OIL SEAL 17X30X6 (NOK)	1	
18	9410105000	WASHER, PLAIN 5MM	1	
19*	9410106800	WASHER, PLAIN 6MM	1	
21	9425108000	PIN, LOCK 8MM	1	
22*	961006203000	BEARING, RADIAL BALL 6203	1	

# HONDA G100K2QA2 ENGINE — CRANKSHAFT ASSY.

CRANKSHAFT ASSY.



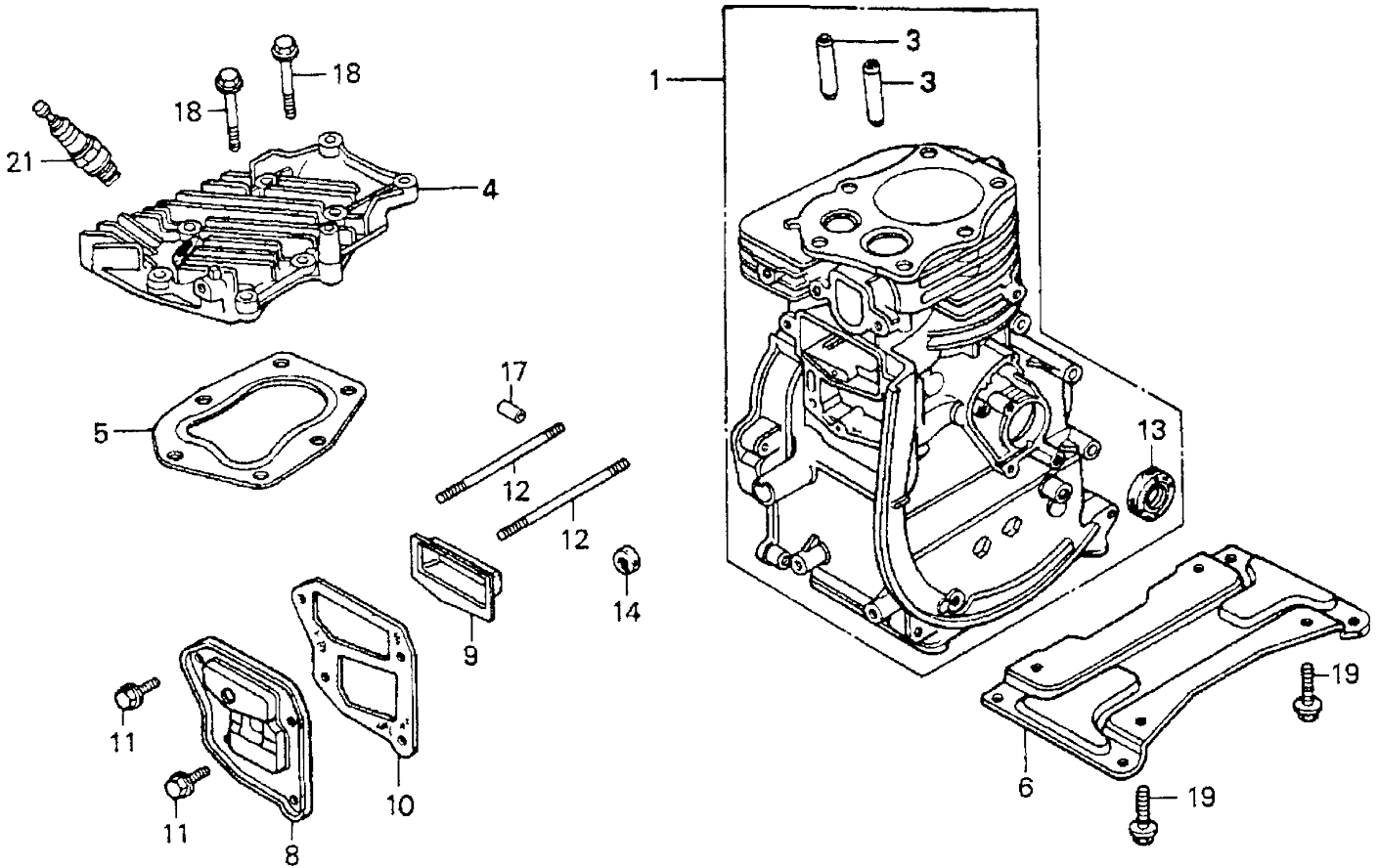
# HONDA G100K2QA2 ENGINE — CRANKSHAFT ASSY.

CRANKSHAFT ASSY.

<u>NO.</u>	<u>PART NO.</u>	<u>PART NAME</u>	<u>QTY.</u>	<u>REMARKS</u>
1	13310ZG0601	CRANKSHAFT, Q-TYPE .....	1 .....	INCLUDES ITEMS W/*
4	90745ZE1600	KEY 4.78X4.78X38	1	
5*	961006203000	BEARING, RADIAL BALL	1	

# HONDA G100K2QA2 ENGINE — CYLINDER BARREL ASSY.

CYLINDER BARREL ASSY.



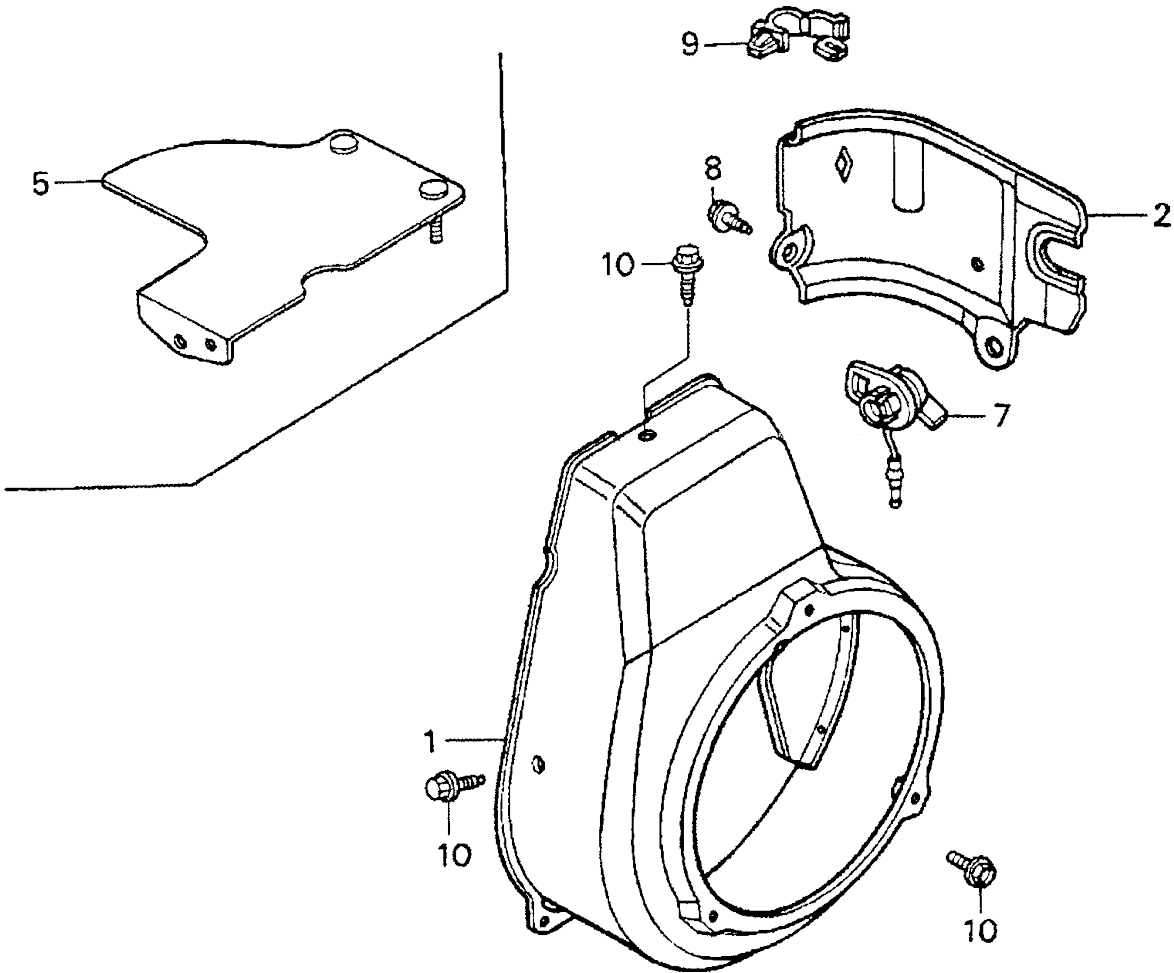
# HONDA G100K2QA2 ENGINE — CYLINDER BARREL ASSY.

## CYLINDER BARREL ASSY.

<u>NO.</u>	<u>PART NO.</u>	<u>PART NAME</u>	<u>QTY.</u>	<u>REMARKS</u>
1	12000ZG0020	CYLINDER ASSEMBLY .....	1 .....	INCLUDES ITEMS W/*
3*	12133896306	GUIDE, VALVE OS (OPTIONAL)	2	
4	12221ZG0030	CYLINDER HEAD	1	
5	12281ZC0003	GASKET, CYLINDER HEAD	1	
6	12351ZG0810	BED, ENGINE Q-TYPE	1	
8	12361ZG0000	COVER, TAPPET ROOM	1	
9	12370ZG0000	SEPARATOR, INNER	1	
10	12375ZG0010	GASKET, TAPPET COVER	1	
11	90002892000	BOLT, FLANGE 5X10	4	
12	90041896000	BOLT, STUD 5X80	2	
13*	91202892004	OIL SEAL 17X30X6 (NOK)	1	
14	91231816000	OIL SEAL	1	
17	9430108140	PIN A, DOWEL 8X14	2	
18	958010603500	BOLT, FLANGE 6X35	6	
19	957010801800	BOLT, FLANGE 8X18	4	
21	9807354776	SPARK PLUG, BRMR4A (NGK)	1	

# HONDA G100K2QA2 ENGINE — FAN COVER ASSY.

FAN COVER ASSY.



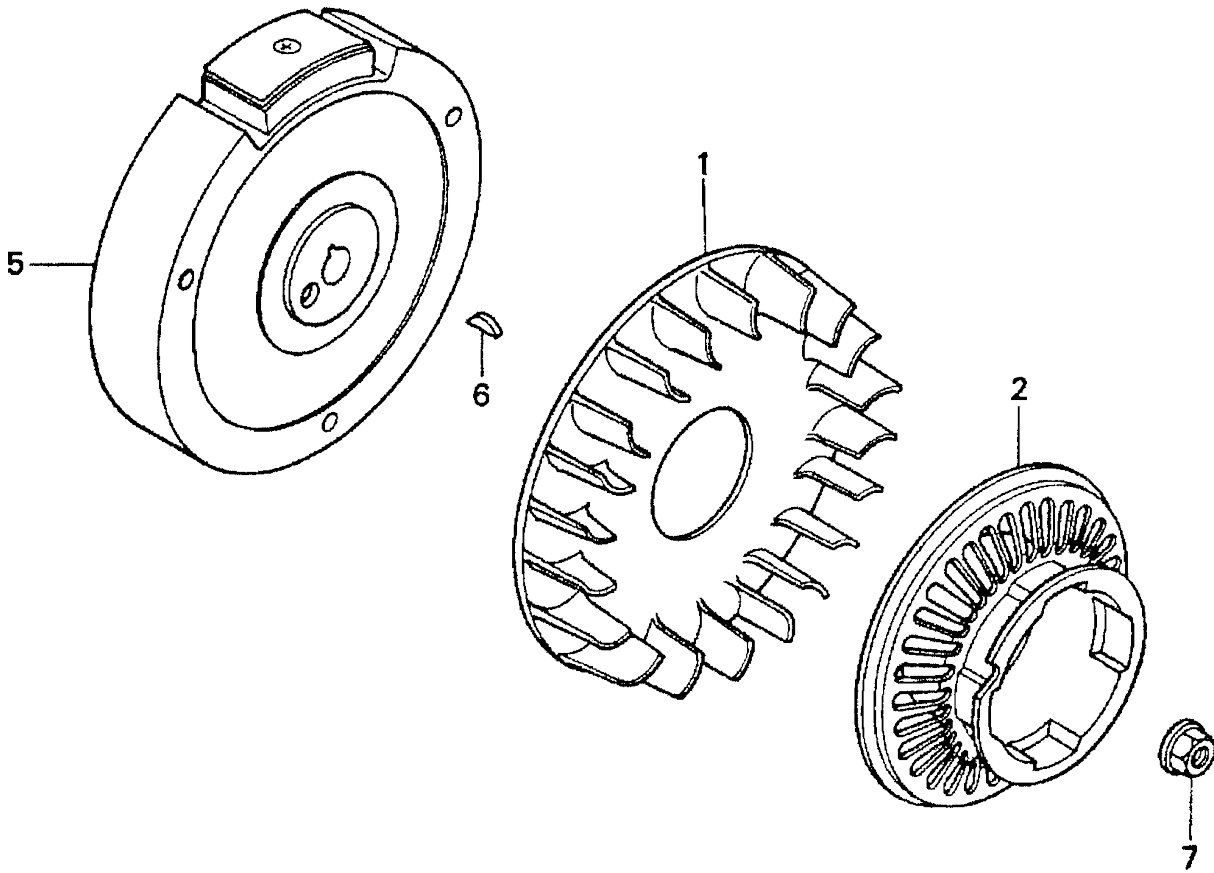
# HONDA G100K2QA2 ENGINE — FAN COVER ASSY.

FAN COVER ASSY.

<u>NO.</u>	<u>PART NO.</u>	<u>PART NAME</u>	<u>QTY.</u>	<u>REMARKS</u>
1	19610ZG0W20ZB	COVER, FAN *R8* (BRIGHT RED)	1	
2	19631ZG0000	SHROUD	1	
5	19721ZG0W20	COVER, TOP	1	
7	36100ZE1015	SWITCH ASSEMBLY, ENGINE STOP	1	
8	90013883000	BOLT, FLANGE 6X12 (CT200)	2	
9	90652SB2023	CLIP, TUBE 7MM	1	
10	90013883000	BOLT, FLANGE 6X12 (CT200)	4	

# HONDA G100K2QA2 ENGINE — FLYWHEEL ASSY.

FLYWHEEL ASSY.





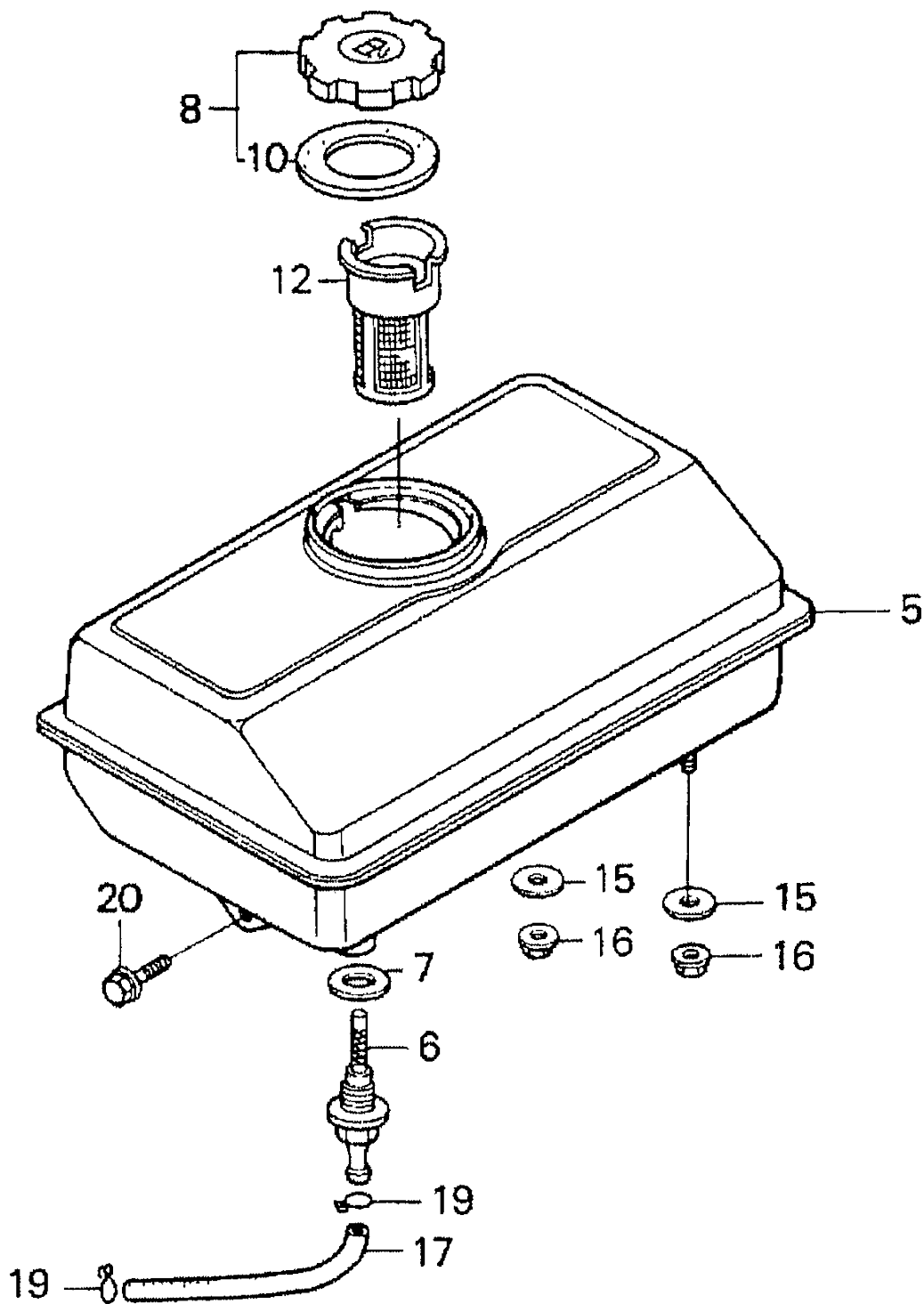
## HONDA G100K2QA2 ENGINE — FLYWHEEL ASSY.

FLYWHEEL ASSY.

<u>NO.</u>	<u>PART NO.</u>	<u>PART NAME</u>	<u>QTY.</u>	<u>REMARKS</u>
1	19511ZG0W00	FAN, COOLING	1	
2	28450ZG0822	PULLEY, STARTER	1	
5	31100ZG0010	FLYWHEEL	1	
6	90741035000	KEY, WOODRUFF 3X5	1	
7	9405012000	NUT, FLANGE 12MM	1	

# HONDA G100K2QA2 ENGINE — FUEL TANK ASSY.

FUEL TANK ASSY.



# HONDA G100K2QA2 ENGINE — FUEL TANK ASSY.

## FUEL TANK ASSY.

<u>NO.</u>	<u>PART NO.</u>	<u>PART NAME</u>	<u>QTY.</u>	<u>REMARKS</u>
5	17510ZG0W00ZA	TANK, FUEL *NH31* (MCKINLEY WHITE)	1	
6	16955ZE1000	JOINT, FUEL TANK	1	
7	91353671003	O-RING 13.5X1.5 (ARAI)	1	
8	17620ZH7023	CAP, FUEL FILLER .....	1	INCLUDES ITEMS W/*
9	17620ZE2W00	CAP, FUEL FILLER	1	
10*	17631ZH7003	GASKET, FUEL FILLER CAP	1	
12	17672ZE2W01	FILTER, FUEL	1	
16	9405006000	NUT, FLANGE 6MM	2	
17	950014500360M	BULK HOSE, FUEL (4.5X3000) (4.5X55)	1	
19	9500202080	CLIP, TUBE B8	2	
20	957010601400	BOLT, FLANGE 6X14	1	



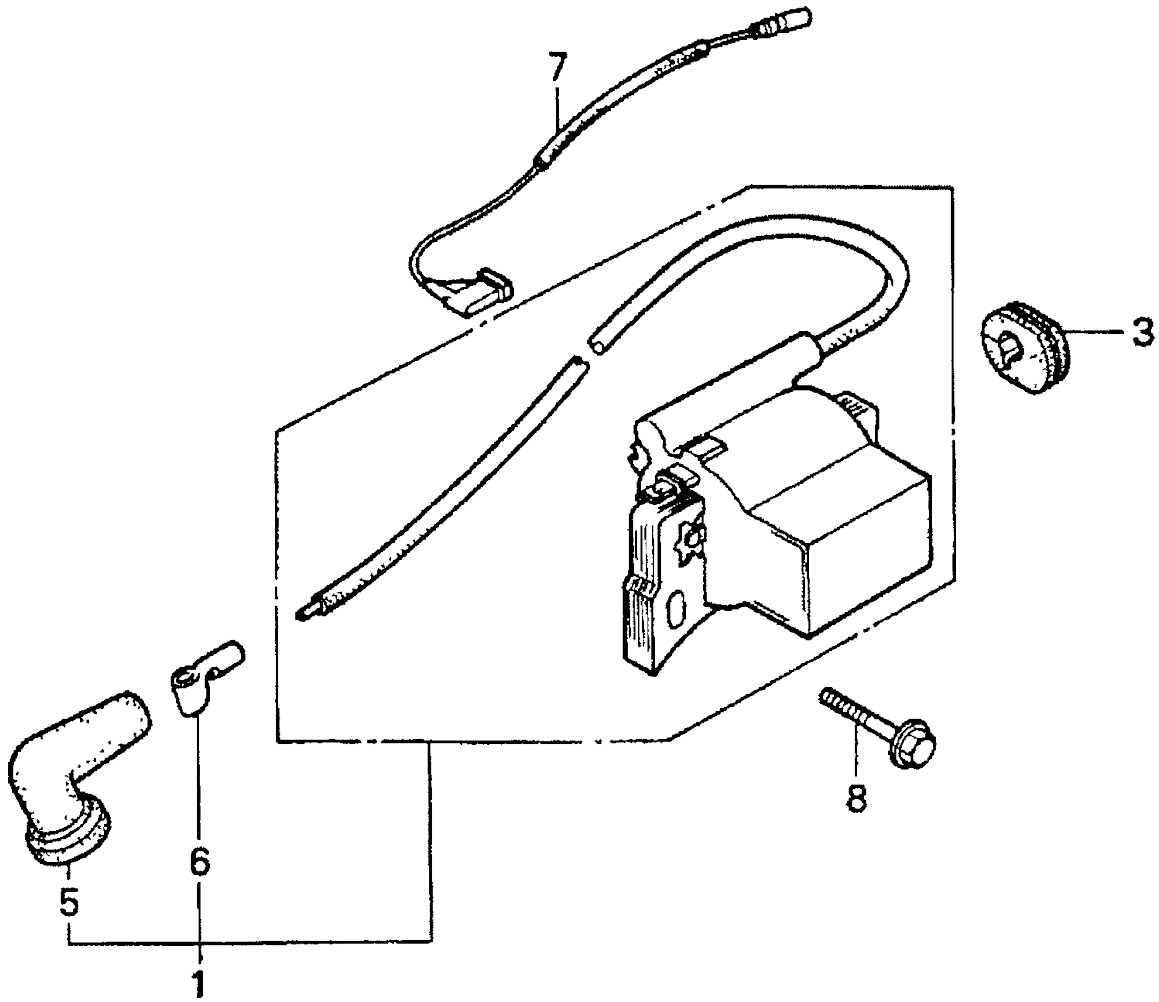
# HONDA G100K2QA2 ENGINE — GASKET KIT ASSY.

GASKET KIT ASSY.

<u>NO.</u>	<u>PART NO.</u>	<u>PART NAME</u>	<u>QTY.</u>	<u>REMARKS</u>
	061A1ZG0801	GASKET KIT .....	1 .....	INCLUDES ITEMS W/*
1*	11381ZG0800	GASKET, CASE COVER	1	
2*	12281ZC0003	GASKET, CYLINDER HEAD	1	
3*	12375ZG0010	GASKET, TAPPET COVER	1	
5*	16212ZG0800	GASKET, INSULATOR	1	
7*	16221ZG0801	GASKET, CARBURETOR	1	
8*	16269ZG0800	GASKET, AIR CLEANER	1	
10*	18381ZG0800	GASKET, MUFFLER	1	

# HONDA G100K2QA2 ENGINE — IGNITION COIL ASSY.

IGNITION COIL ASSY.



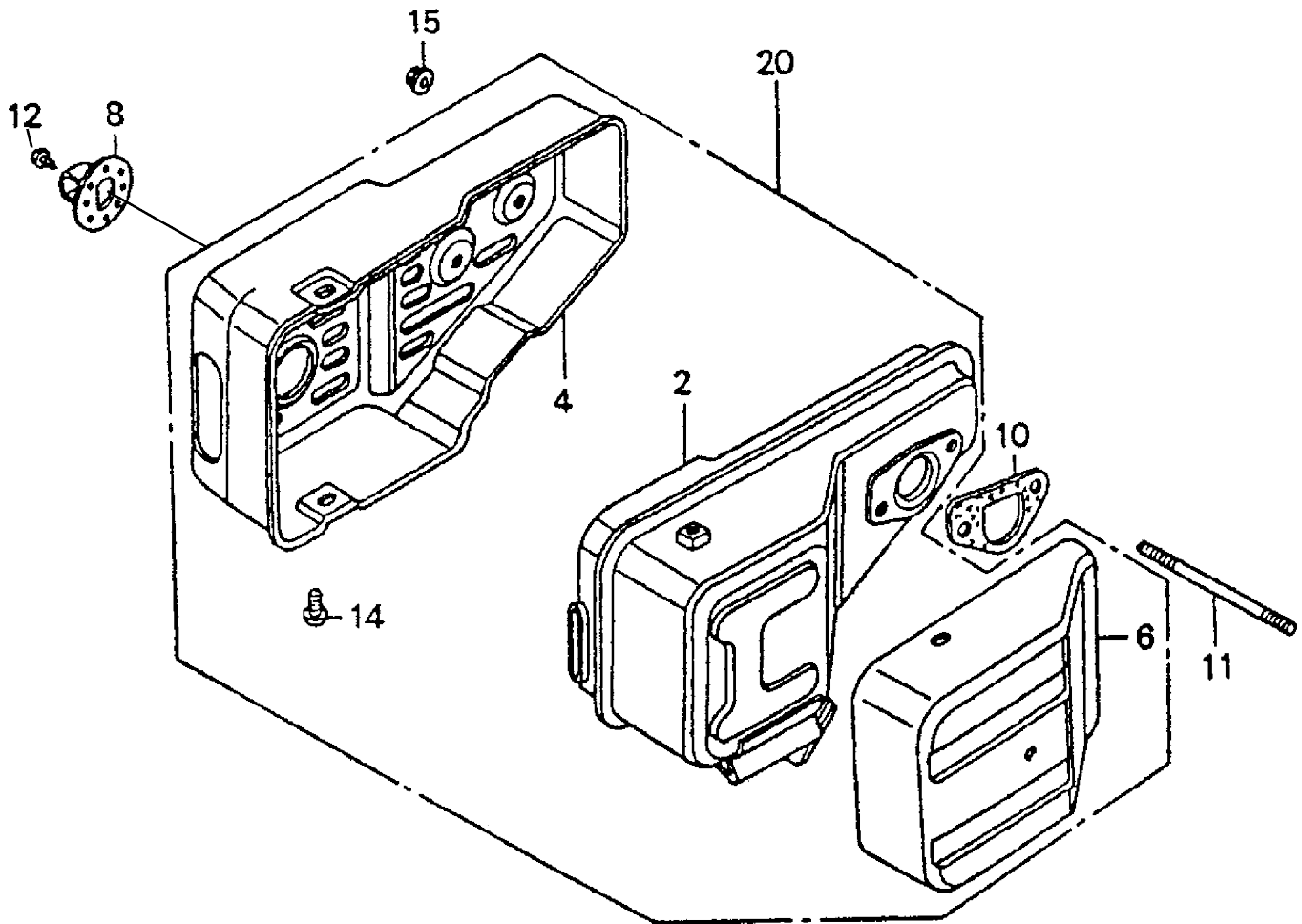
# HONDA G100K2QA2 ENGINE — IGNITION COIL ASSY.

IGNITION COIL ASSY.

<u>NO.</u>	<u>PART NO.</u>	<u>PART NAME</u>	<u>QTY.</u>	<u>REMARKS</u>
1	30500ZG0W01	COIL ASSEMBLY, IGNITION .....	1 .....	INCLUDES ITEMS W/*
3	30563ZG0000	GROMMET, IGNITION WIRE	1	
5*	30701888014	CAP, IGNITION (TOYO)	1	
6*	30702888003	TERMINAL, PLUG	1	
7	36101ZG0000	WIRE, STOP SWITCH	1	
8	90121952000	BOLT, FLANGE 6X25	2	

# HONDA G100K2QA2 ENGINE — MUFFLER ASSY.

MUFFLER ASSY.





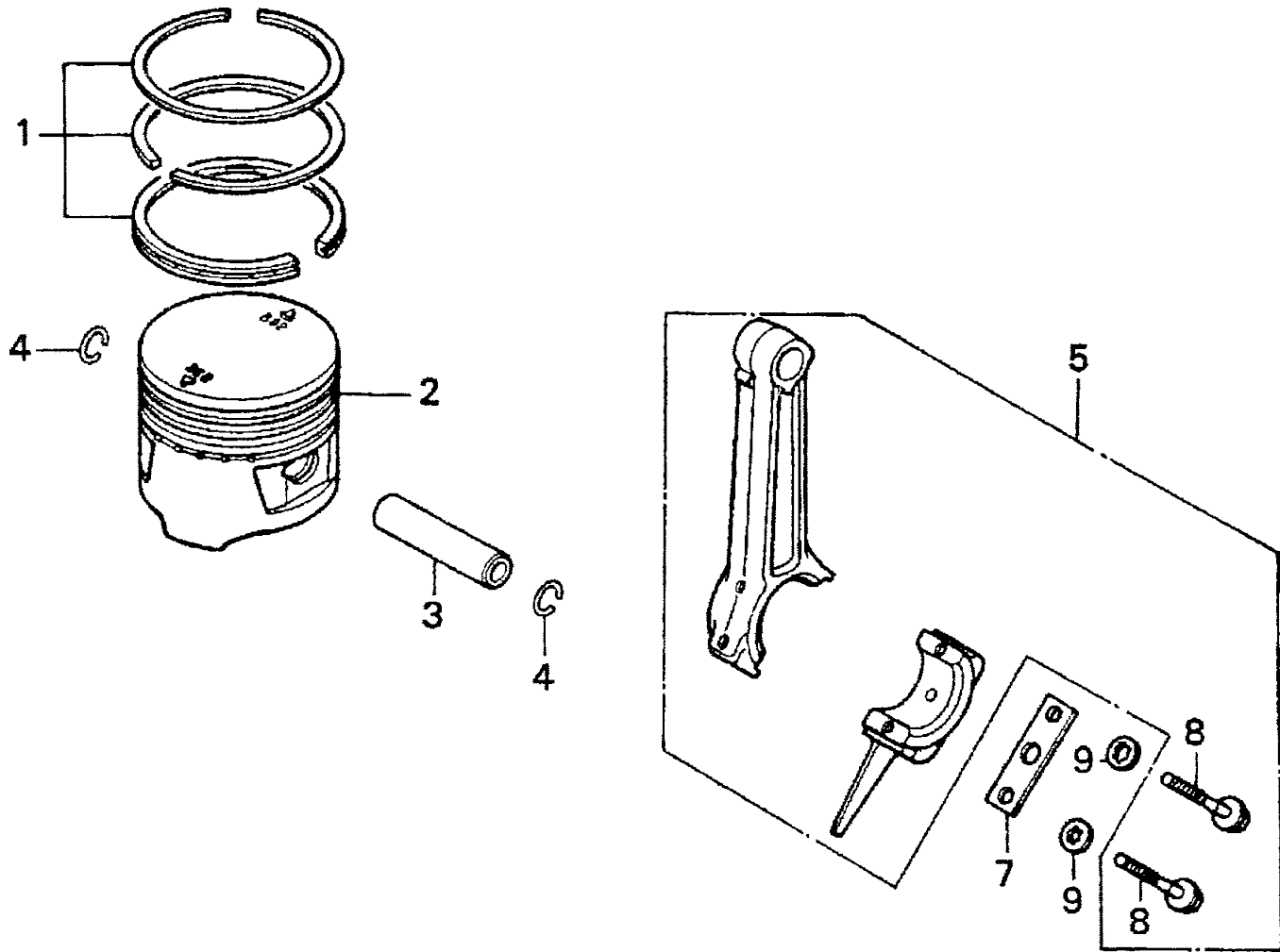
# HONDA G100K2QA2 ENGINE — MUFFLER ASSY.

MUFFLER ASSY.

<u>NO.</u>	<u>PART NO.</u>	<u>PART NAME</u>	<u>QTY.</u>	<u>REMARKS</u>
2*	18310ZG0830	MUFFLER (W/PROTECTOR)	1	
4*	18320ZG0810	PROTECTOR, MUFFLER	1	
6*	18321896000	SEPARATOR, MUFFLER	1	
8	18331896620	DEFLECTOR, MUFFLER (OPTIONAL)	1	
10	18381ZG0800	GASKET, MUFFLER	1	
11	90046ZG0000	BOLT, STUD 6X50	2	
12	90002ZG0003	SCREW, TAPPING 4X8 (OPTIONAL)	2	
14*	93500060060A	SCREW, PAN 6X6	2	
15	9405006000	NUT, FLANGE 6MM	2	
20	18300ZG0U01	MUFFLER ASSEMBLY .....	1	INCLUDES ITEMS W/*

# HONDA G100K2QA2 ENGINE — PISTON ASSY.

PISTON ASSY.



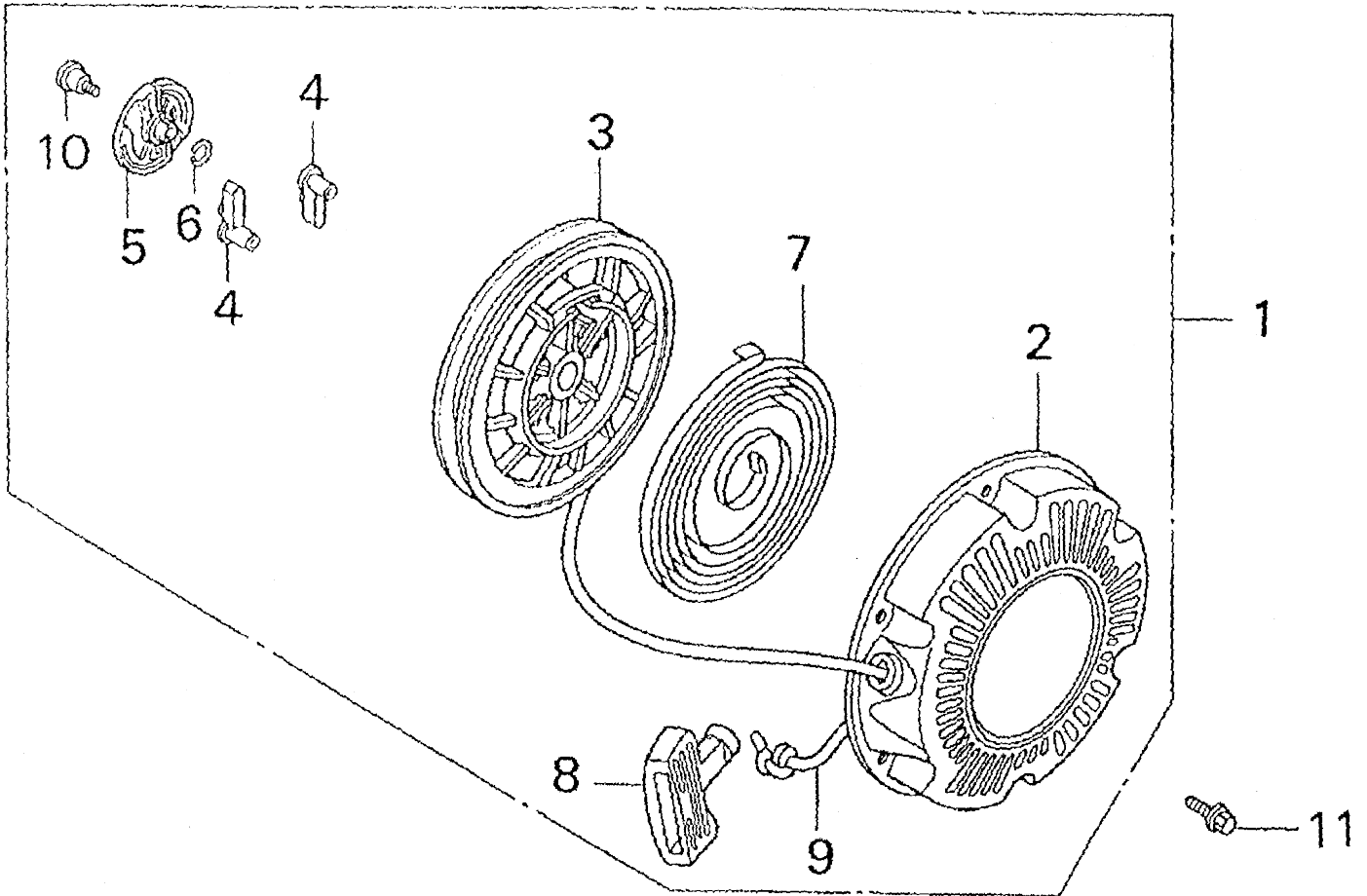
# HONDA G100K2QA2 ENGINE — PISTON ASSY.

PISTON ASSY.

<u>NO.</u>	<u>PART NO.</u>	<u>PART NAME</u>	<u>QTY.</u>	<u>REMARKS</u>
1	13010ZC0003	RING SET, PISTON -STANDARD	1	
1	13011ZC0003	RING SET, PISTON - OS 0.25 ( OPTIONAL)	1	
1	13012ZC0003	RING SET, PISTON - OS 0.50 (OPTIONAL)	1	
1	13013ZC0003	RING SET, PISTON - 0.75 (OPTIONAL)	1	
2	13101ZC0003	PISTON - STANDARD	1	
2	13102ZC0003	PISTON - OS 0.25 (OPTIONAL)	1	
2	13103ZC0003	PISTON- OS 0.50 (OPTIONAL)	1	
2	13104ZC0003	PISTON- 0.75 (OPTIONAL)	1	
3	13111892000	PIN, PISTON	1	
4	13115147000	CLIP, PISTON PIN 10MM	2	
5	13200ZG0000	ROD ASSY., CONNECTING STANDARD .....	1	INCLUDES ITEMS W/*
5	13200ZG0305	ROD ASSY., CONNECTING (UNDER SIZE) .... OPTIONAL	1	INCLUDES ITEMS W/*
8*	90001ZG0000	BOLT, CONNECTING ROD	2	

# HONDA G100K2QA2 ENGINE — RECOIL STARTER ASSY.

RECOIL STARTER ASSY.



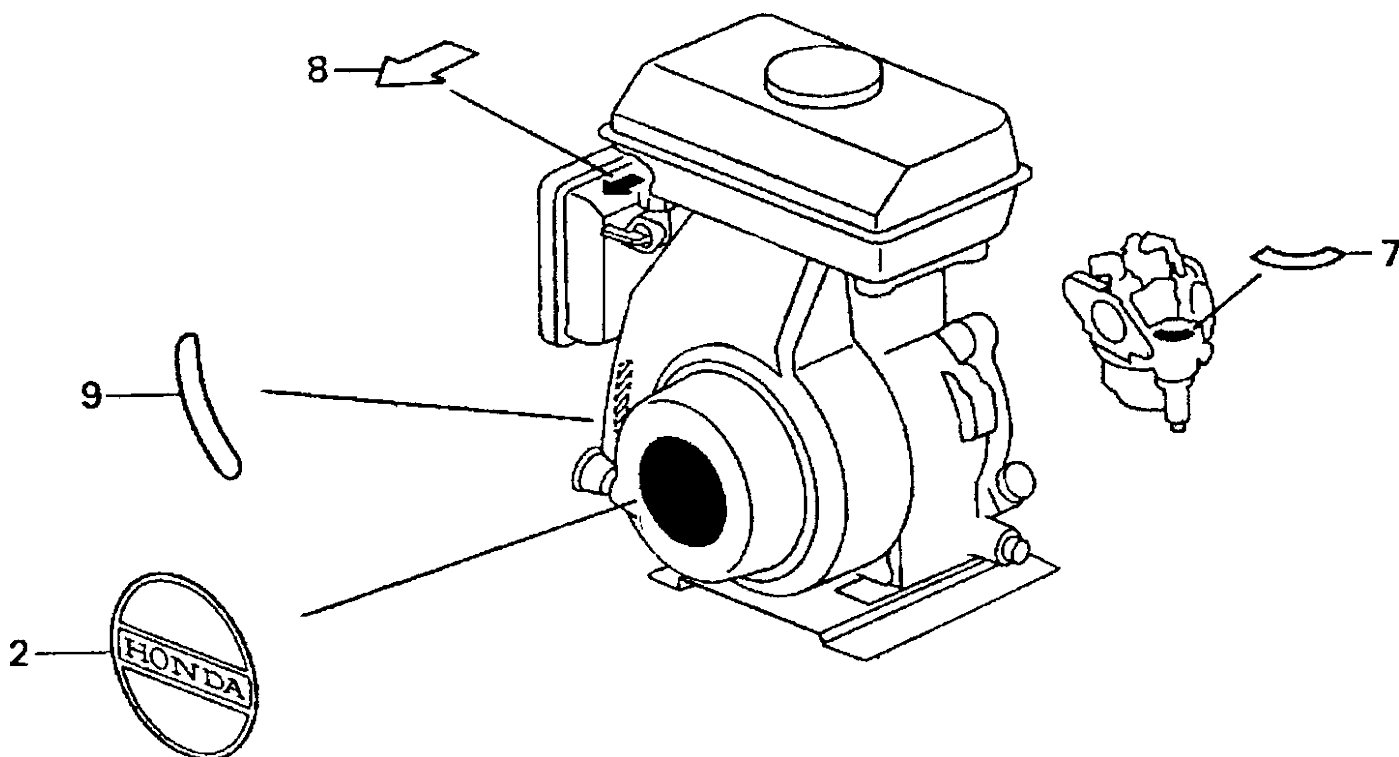
# HONDA G100K2QA2 ENGINE — RECOIL STARTER ASSY.

RECOIL STARTER (3) ASSY.

<u>NO.</u>	<u>PART NO.</u>	<u>PART NAME</u>	<u>QTY.</u>	<u>REMARKS</u>
1	28400ZGOWO2ZC	STARTER ASSY., RECOIL *R8*	1	INCLUDES ITEMS W/*
2*	28410ZGOWO2ZC	CASE, RECOIL STARTER *R8*	1	
3*	28421ZGOWO2	REEL, RECOIL STARTER	1	
4*	28422ZGOWO2	RATCHET, STARTER	1	
5*	28433ZGOWO2	GUIDE, RATCHET	1	
6*	28441ZH8003	SPRING, FRICTION	1	
7*	28442ZH8003	SPRING, RECOIL STARTER	1	
8*	28461ZGOWO2	GRIP, STARTER	1	
9*	28462ZGOWO2	ROPE, RECOIL STARTER	1	
10*	9000-ZH8003	SCREW, SETTING	3	
11	957010600800	BOLT, FLANGE 6X8	1	

# HONDA G100K2QA2 ENGINE — LABELS

## LABELS



## HONDA G100K2QA2 ENGINE — LABELS

### LABELS

<u>NO.</u>	<u>PART NO.</u>	<u>PART NAME</u>	<u>QTY.</u>	<u>REMARKS</u>
2	87521ZG0W50	EMBLEM	1	
4	87522ZE1810	MARK, CAUTION (EXTERNAL)	1	
7	87528ZG0810	MARK, EXTERNAL	1	
8	87528883661	MARK, CHOKE	1	
9	87532ZG0810	MARK, THROTTLE( ENGLISH, FRENCH, GERMAN)	1	