

OPERATION AND PARTS MANUAL



MAYCO SERIES MODEL C30HDG CONCRETE PUMP (ZENITH 416 GASOLINE ENGINE)

Revision #8 (04/14/21)



THIS MANUAL MUST ACCOMPANY THE EQUIPMENT AT ALL TIMES.

**MAYCO C-30HDG (ZENITH)
CONCRETE PUMP**

Proposition 65 Warning2
 Silicosis/Respiratory Warnings3
 Table of Contents4
 Pump Specifications6
 Engine Specifications6
 Pump Dimensions7
 Safety Message Alert Symbols 8-9
 Rules For Safe Operation 10-12
 Towing Guidelines 14-15
 Trailer Safety Guidelines 16-18
 Operation And Safety Decals20
 Important Hand Signals21
 Pump Components 22-23
 Control Box Components24
 Engine Components25
 General Information26
 How It Works 27-28
 Operating Information 29-33
 Inspection34-36
 Startup 36-37
 Shutdown Procedures37
 Maintenance (Pump) 38-47
 Engine Troubleshooting 48-49
 Engine Fault Codes 50-53
 Wiring Diagram (Zenith Wiring Harness) 54-55
 Wiring Diagram56
 Pin Connections57
 Wiring Diagram (Tail Lights)58
 Appendix —
 Slump Test Procedure60
 Concrete Mix Information 61-63
 Recommended Shotcrete System 64-65
 Recommended Shotcrete Accessories 66-67
 Explanation of Codes in Remarks Column68
 Suggested Spare Parts69

COMPONENT DRAWINGS

Nameplate and Decals 70-71
 Compensator Piston Rod Assembly 72-73
 Connecting Rod - Drive Side Assembly 74-75
 Rocker Assembly 76-77
 Countershaft Assembly 78-79
 Crankshaft Assembly 80-81
 Manifold Assembly 82-83
 Frame Assembly 84-85
 Axle Assembly 86-87
 Muffler, Air filter And Stop Switch Assembly 88-89
 Clutch Assy 90-91
 Engine Mounting Brackets Assembly 92-93
 Radiator, Mounting Bracket And Hoses Assy 94-95
 Control Box Assembly 96-97
 Battery Assembly 98-99
 Fuel Tank Assembly 100-101
 Hopper Assy 102-103
 Hood Assembly 104-105
 Lubrication Panel Assembly 106-107
 Remote Control Cable Assembly 107-108
 Mayco Pump Warranty 110

NOTICE

Specification and part number are subject to change without notice.

APPENDIX — RECOMMENDED SHOTCRETE SYSTEM

RECOMMENDED SHOTCRETE SYSTEM

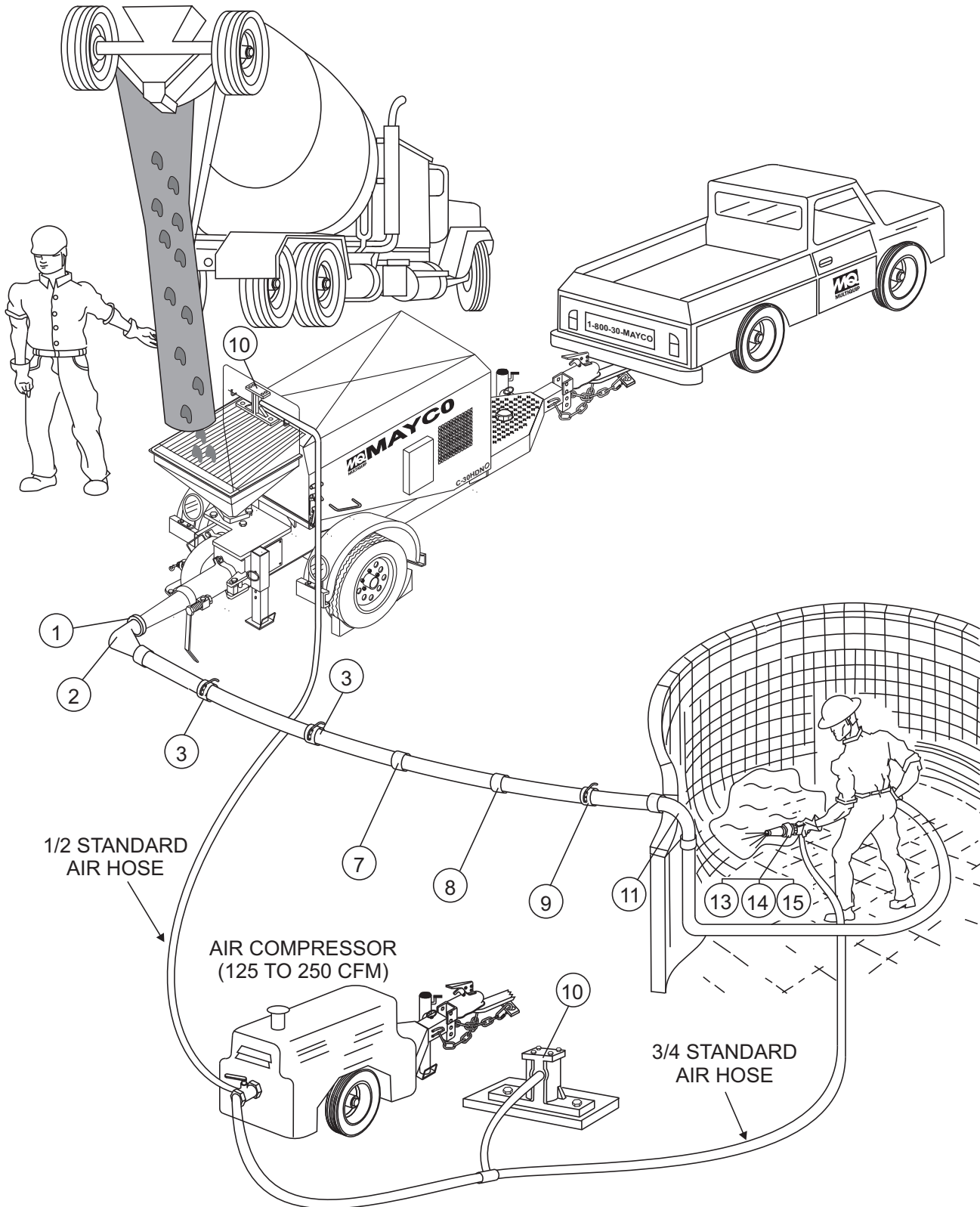


Figure 42. Shotcrete System

APPENDIX — RECOMMENDED SHOTCRETE SYSTEM

RECOMMENDED SHOTCRETE SYSTEM

<u>NO.</u>	<u>PART NO.</u>	<u>PART NAME</u>	<u>QTY.</u>	<u>REMARKS</u>
1	EM28904	3" "B" COUPLING		
2	EM23946	3"-90° ELBOW		
3	EM28903	2 1/2" S/J COUPLING		
4	EM28005DD	3"X 2 1/2 REDUCER		
5	EM28061	2 1/2"X 10FT. PIPE		
6	EM24849	2 1/2"X 50FT. HOSE		
7	EM28001DD	2 1/2"X 2" REDUCER		
8	EM23815D	2 1/2"X 2" REDUCER W/AIR VIBRATOR		
9	EM28902	2" S/J COUPLING		
10	EM23101	AIR VIBRATOR		
11	EM28131	2"X 2 ELBOW		
12	EM24841	2"X 25 FT. HOSE		
13	EM23808D	NOZZLE ASSEMBLY		
14	EM23806	1 3/8" NOZZLE TIP		
15	EM23807	1 1/4" NOZZLE TIP		

APPENDIX — RECOMMENDED SHOTCRETE ACCESSORIES

RECOMMENDED SHOTCRETE ACCESSORIES

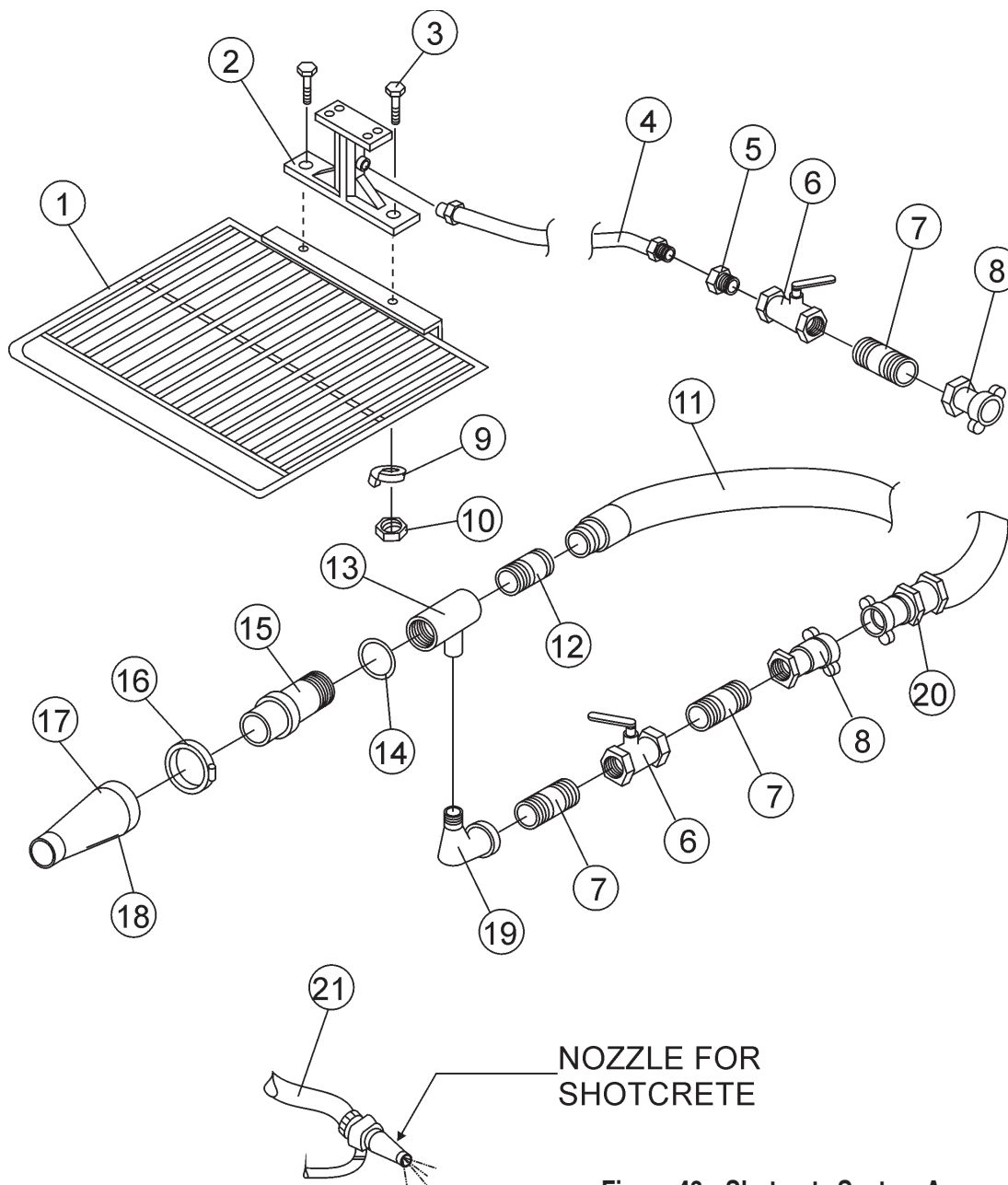


Figure 43. Shotcrete System Accessories

APPENDIX — RECOMMENDED SHOTCRETE ACCESSORIES

RECOMMENDED SHOTCRETE ACCESSORIES

<u>NO.</u>	<u>PART NO.</u>	<u>PART NAME</u>	<u>QTY.</u>	<u>REMARKS</u>
1	EM26107	HOPPER SCREEN	1	
2	EM231011	AIR VIBRATOR	1	
3	EM132	BOLT, 1/2-13X2	2	
4	EM23407	AIR HOSE	1	
5	EM23408	BUSHING	1	
6	EM23411	VALVE	1	
7	EM912073	NIPPLE	2	
8	EM23409	COUPLING	1	
9	EM923346	WASHER, 1/2 LOCK	2	
10	EM406	NUT, HEX 1/2-13	2	
11	EM24841	2"X25' RAISED HOSE		
	EM24844	2"X50' RAISED HOSE		
12*	EM23802	ADAPTER	1	
13*	EM23803	GUN BODY	1	
14*	EM20816	"O" RING	1	
15*	EM23804	AIR INSERT	1	
16*	EM23805	NOZZLE CLAMP	1	
17*	EM23806	NOZZLE TIP, 1-3/8"	1	
18*	EM23807	NOZZLE TIP, 1-1/4"	1	
19*	EM911076	STREET ELBOW	1	
20		AIR HOSE		NOT SUPPLIED BY MAYCO
21	EM23808D	NOZZLE ASSEMBLY HD	1	INCLUDES. ITEMS W/*

EXPLANATION OF CODE IN REMARKS COLUMN

The following section explains the different symbols and remarks used in the Parts section of this manual. Use the help numbers found on the back page of the manual if there are any questions.

NOTICE

The contents and part numbers listed in the parts section are subject to change **without notice**. Multiquip does not guarantee the availability of the parts listed.

SAMPLE PARTS LIST

NO.	PART NO.	PART NAME	QTY.	REMARKS
1	12345	BOLT.....	1	INCLUDES ITEMS W/%
2%		WASHER, 1/4 IN.....		NOT SOLD SEPARATELY
2%	12347	WASHER, 3/8 IN....	1	MQ-45T ONLY
3	12348	HOSE	A/R	MAKE LOCALLY
4	12349	BEARING	1	S/N 2345B AND ABOVE

NO. Column

Unique Symbols — All items with same unique symbol

(@, #, +, %, or >) in the number column belong to the same assembly or kit, which is indicated by a note in the “Remarks” column.

Duplicate Item Numbers — Duplicate numbers indicate multiple part numbers, which are in effect for the same general item, such as different size saw blade guards in use or a part that has been updated on newer versions of the same machine.

NOTICE

When ordering a part that has more than one item number listed, check the remarks column for help in determining the proper part to order.

PART NO. Column

Numbers Used — Part numbers can be indicated by a number, a blank entry, or TBD.

TBD (To Be Determined) is generally used to show a part that has not been assigned a formal part number at the time of publication.

A blank entry generally indicates that the item is not sold separately or is not sold by Multiquip. Other entries will be clarified in the “Remarks” Column.

QTY. Column

Numbers Used — Item quantity can be indicated by a number, a blank entry, or A/R.

A/R (As Required) is generally used for hoses or other parts that are sold in bulk and cut to length.

A blank entry generally indicates that the item is not sold separately. Other entries will be clarified in the “Remarks” Column.

REMARKS Column

Some of the most common notes found in the “Remark ” Column are listed below. Other additional notes needed to describe the item can also be shown.

Assembly/Kit — All items on the parts list with the same unique symbol will be included when this item is purchased.

Ind ated by:

“I CLUDES ITEMS W/(unique symbol)”

Serial Number Break — Used to list an effective serial number range where a particular part is used.

Ind ated by:

“ N XXXXX AND BELOW”

“ N XXXX AND ABOVE”

“ N XXXX TO S/N XXX”

Specific Model Number Use — Indicates that the part is used only with the specific model number or model number variant listed. It can also be used to show a part is NOT used on a specific model or model number variant.

Ind ated by:

“ XXX ONLY”

“ T USED ON XXXX”

“Make/Obtain Locally” — Indicates that the part can be purchased at any hardware shop or made out of available items. Examples include battery cables, shims, and certain washers and nuts.

“Not Sold Separately” — Indicates that an item cannot be purchased as a separate item and is either part of an assembly/kit that can be purchased, or is not available for sale through Multiquip.

C-30HDG PUMP — SUGGESTED SPARE PARTS

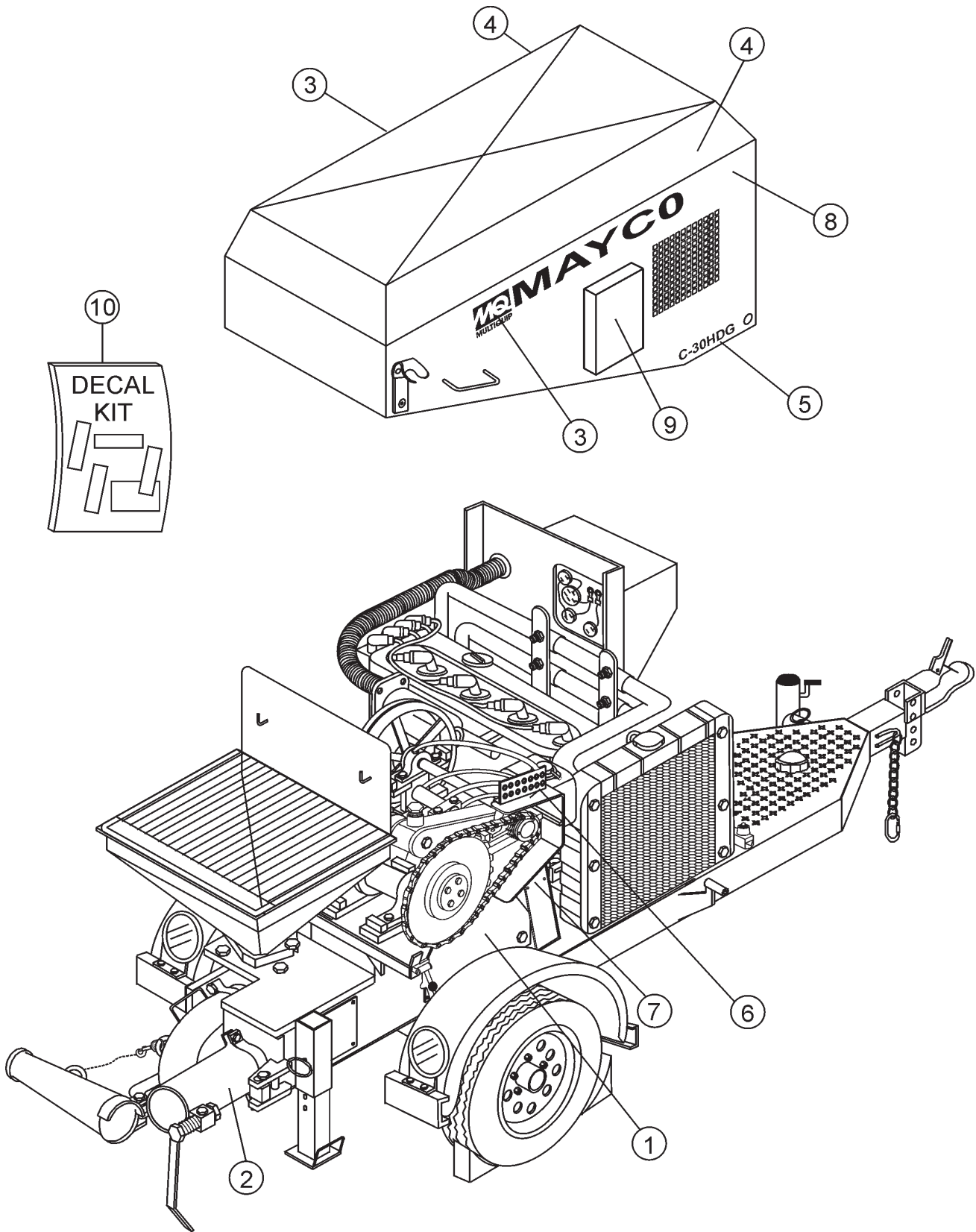
C-30HDG CONCRETE PUMP W/ ZENITH FUEL INJECTION SYSTEM 1 Units

QTY.	P/N	DESCRIPTION
6	EM14904	PISTON CUP KITS
4	EM18804	4-1/2" STEEL BALL
4	EM14818	4" STEEL BALL
6	EM14903	BALL STOP PIN KIT
10	EM18801	O-RING MANIFOLD
1	EM14308	CHAIN
2	EM26313	HALF LINK
2	EM26314	MASTER LINK
1	EM14334	COMPENSATOR SPRING
2	EM14408	BRONZE RING
2	EM903092	CAM BEARING (TIMKEN)
2	EM98296	CAM BEARING (MCGILL)
2	EM14315	V-BELT
2	EM14842	LOWER SEAT
2	EM14843	UPPER SEAT
10	EM18409	O-RING
2	EM20763	FUEL FILTER
2	EM20328TKIT	BEARING KIT
1	EM28004DD	REDUCER 3" X 2" X 36"
1	EM23946	3" ELBOW
2	EM28904	3" CLAMP
4	EM289041	3" GASKETS
1	EM14159	HOPPER SCREEN
1	EM14351	CLUTCH
8	22401M7714	SPARK PLUG
30	EM98057A	"SLICK PACK"
		HOSE PRIMING AGENT

C-30HDG CONCRETE PUMP W/ ZENITH FUEL INJECTION SYSTEM 3 Units

QTY.	P/N	DESCRIPTION
10	EM14904	PISTON CUP KITS
10	EM18804	4-1/2" STEEL
10	EM14818	4" STEEL BALL
12	EM14903	BALL STOP PIN KITS
25	EM18801	MANIFOLD O-RINGS
3	EM14308	CHAINS
10	EM26313	HALF LINK
10	EM26314	MASTER LINK
2	EM14334	COMPENSATOR SPRING
4	EM14408	BRONZE RING
2	EM903092	CAM BEARING (TIMKEN)
2	EM98296	CAM BEARING (MCGILL)
6	EM14315	V-BELT
6	EM14842	LOWER SEAT
6	EM14843	UPPER SEAT
3	EM26310	CLUTCH LINING
20	EM18409	O-RING
		R
		T
		" x 2" X 36"
10	EM289041	3" GASKET
2	EM14159	HOPPER SCREEN
1	EM14300	CAM
1	EM14801	T-MANIFOLD
1	EM14819	Y-MANIFOLD
2	EM14335	PISTON ROD
1	EM26788	REMOTE SWITCH
1	EM903176	CONN. ROD BEARING
1	EM14305	CRANKSHAFT
2	EM14807	PUMP CYLINDER
2	EM18800	COMPENSATOR CYLINDER
1	EM14351	CLUTCH
60	EM98057A	"SLICK PACK"
		HOSE PRIMING AGENT

C-30HDG PUMP — NAMEPLATE AND DECALS



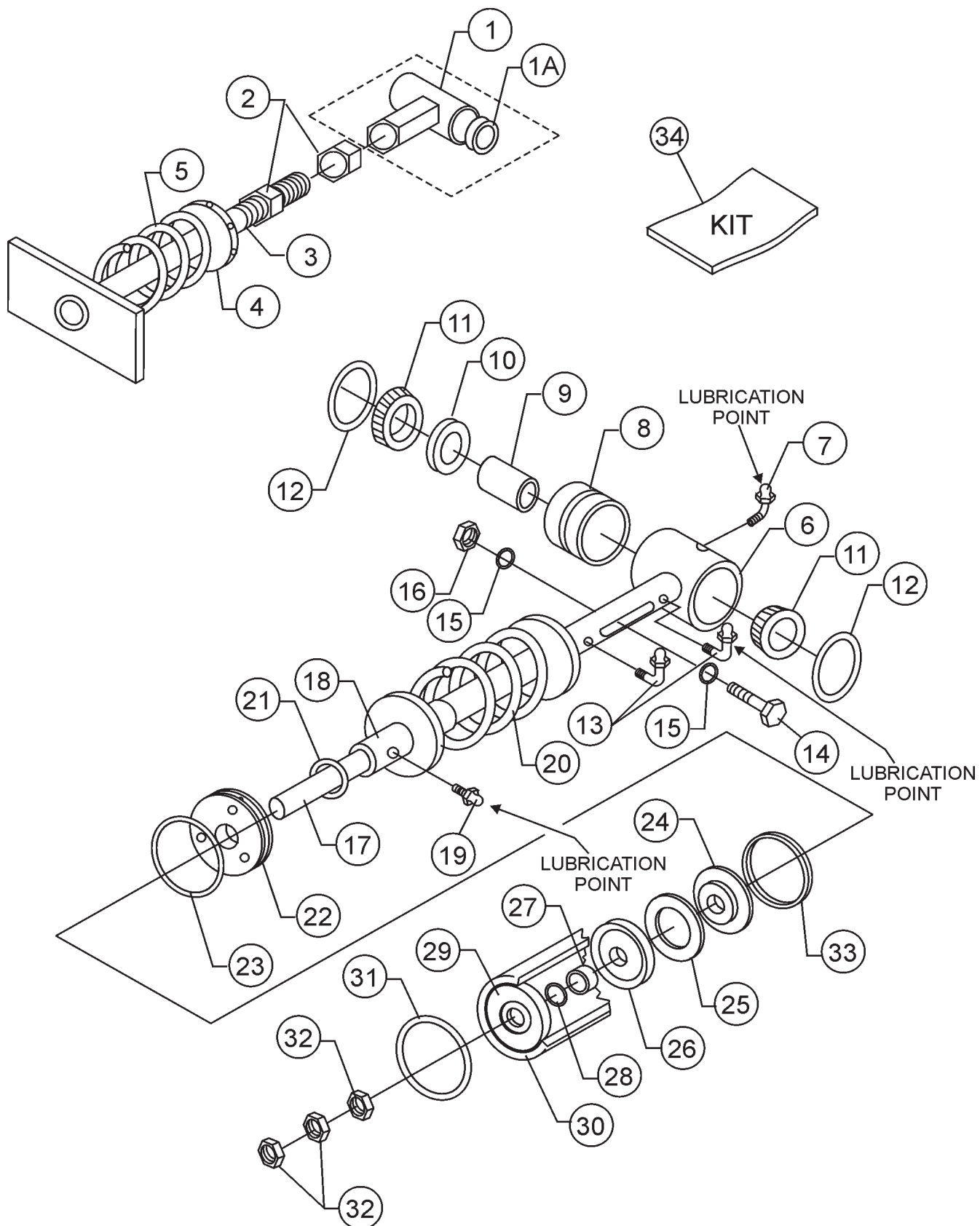
C-30HDG PUMP — NAMEPLATE AND DECALS

NAME PLATE AND DECALS

<u>NO</u>	<u>PART NO</u>	<u>PART NAME</u>	<u>QTY.</u>	<u>REMARKS</u>
1*	DCL152	DECAL, CAUTION OIL LEVEL	1	
2*	EM932	DECAL, CAUTION, MANIFOLD	1	
3*	EM1028	DECAL, MULTIQUIP MAYCO	2	
4*	508594	DECAL, CAUTION READ MANUAL	2	
5*	EM517019	DECAL, C-30HDG	2	
6*	EM513165	DECAL, MAINTENANCE	1	
7		DECAL, NAME PLATE	1	CONTACT MQ PARTS DEPT. W/ MODEL AND SERIAL NUMBER.
8*	98022	DECAL, WARNING	1	
9*	34536	DECAL, OWNER'S MANUAL	1	
10	EM514274	KIT, DECAL	1	INCLUDES ITEMS W/ *

C-30HDG PUMP — COMPENSATOR PISTON ROD ASSY.

COMPENSATOR PISTON ROD ASSY.



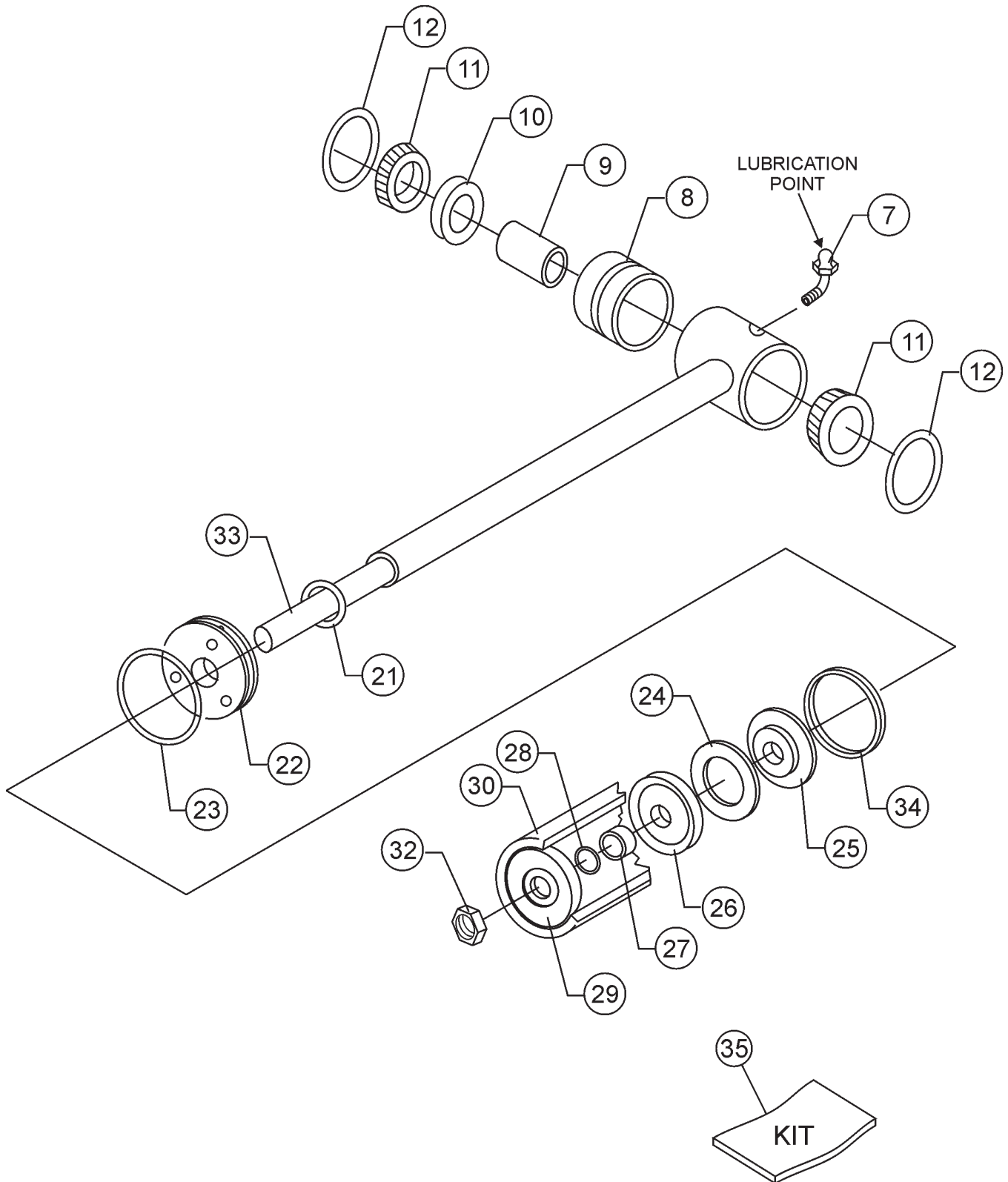
C-30HDG PUMP — COMPENSATOR PISTON ROD ASSY.

COMPENSATOR PISTON ROD ASSY.

<u>NO.</u>	<u>PART NO.</u>	<u>PART NAME</u>	<u>QTY.</u>	<u>REMARKS</u>
1	EM14805	ROD END	1	INCLUDES ITEMS W/+
1A+	EM148053	BUSHING	1	
2	EM968446	NUT HEX, 3/4"-10 GR5	2	
3	EM14332	ROD SPRING GUIDE 3/4"	1	
4	EM14331	SPRING BACKING PLATE	1	
5	EM14333	SPRING RETURN	1	
6	EM14806	PISTON GUIDE ASSY.	1	
7	EM505490	FITTING	1	
8*	EM903163	BEARING CUP	1	
9*	EM20814	BEARING BUSHING	1	
10*	EM20813	SPACER	1	
11*	EM903162	BEARING CONE	2	
12*	EM20816	O-RING	2	
13	EM916001	FITTING	2	
14	EM510266	SCREW, HHC 1/2-13X3	1	
15	EM621	WASHER	2	
16	492584	NUT LOCK 1/2" DIA.	1	
17	EM14335	PISTON ROD	1	
18	EM14336	PISTON GUIDE	1	
19	EM505489	FITTING	1	
20	EM14334	COMPENSATOR SPRING	1	
21	EM18409	O-RING	1	
22	EM98032	PLATE, OILER	1	
23	EM14407	O-RING, OILER PLATE	1	
24	EM14410	RING & FELT HOLDER	1	
25	EM14408	BRONZE RING	1	
26	EM14411	PISTON CUP-BLACK	1	
26	EM98051	PISTON CUP-ORANGE	1	
27	EM14412	BUSHING 1 1/4 CRS	1	
28	EM18409	O-RING 1"	2	
29	EM14413	FACE PLATE	1	
30	EM18800HD	PUMPING CYLINDER	1	2-1/2" LIP SLEEVE
31	EM26525	O-RING, CYLINDER BOX	1	
32	EM968446	NUT HEX, 3/4-10	3	
33	EM16493	FELT RING	1	
34	EM148053	BUSHING	1	
35	EM20328TKIT	BEARING KIT	1	INCLUDES ITEMS W/*

C-30HDG PUMP — CONNECTING ROD - DRIVE SIDE ASSY.

CONNECTING ROD - DRIVE SIDE ASSY.



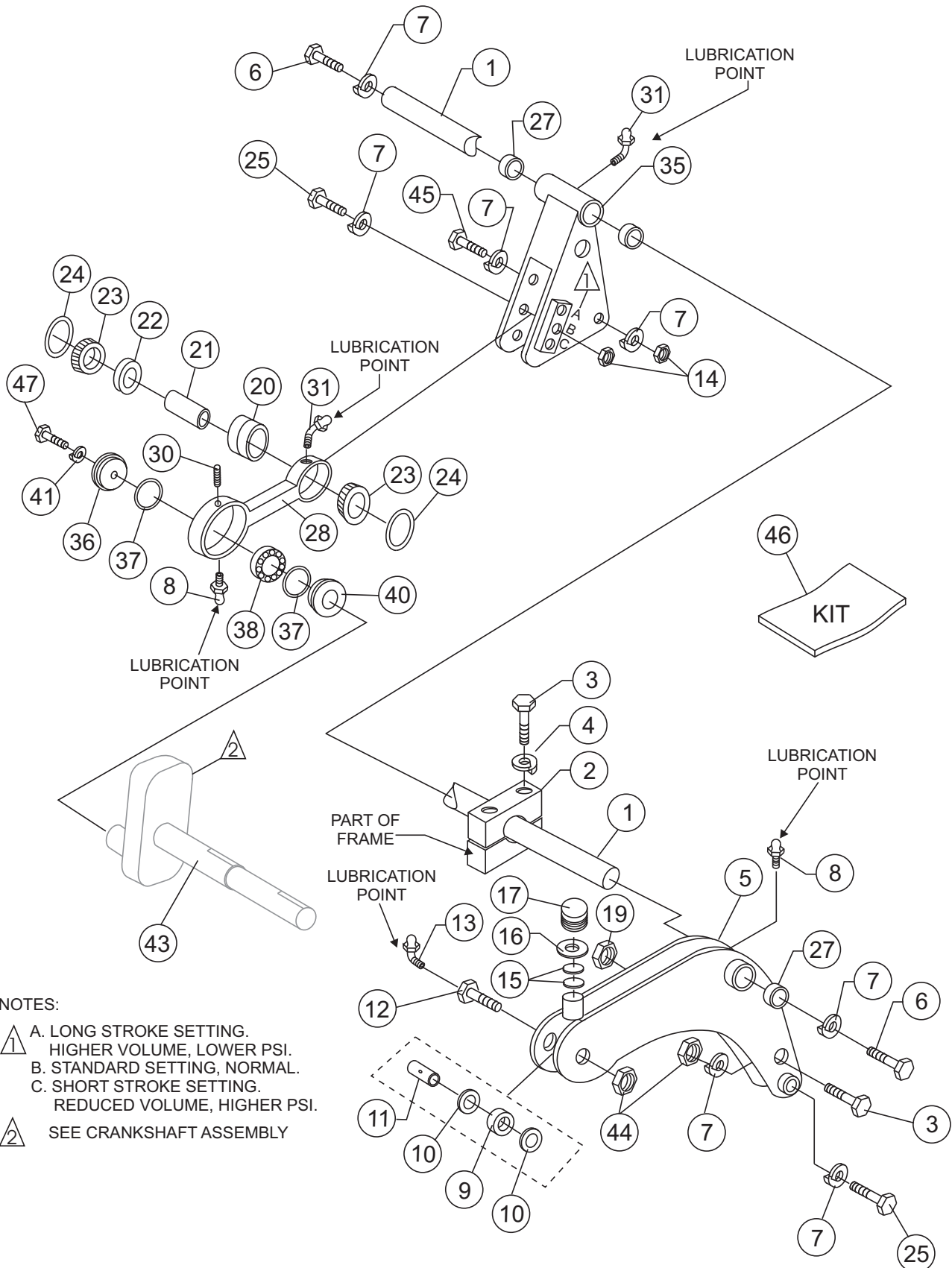
C-30HDG PUMP — CONNECTING ROD - DRIVE SIDE ASSY.

CONNECTING ROD - DRIVE SIDE ASSY.

<u>NO.</u>	<u>PART NO.</u>	<u>PART NAME</u>	<u>QTY.</u>	<u>REMARKS</u>
7	EM505490	FITTING	1	
8*	EM903163	BEARING CUP	1	
9*	EM20814	BEARING BUSHING	1	
10*	EM20813	SPACER	1	
11*	EM903162	BEARING CONE	2	
12*	EM20816	O-RING	2	
21	EM18409	O-RING	1	
22	EM98032	PLATE, OILER	1	
23	EM14407	O-RING, OILER PLATE	1	
24	EM14408	BRONZE RING	1	
25	EM14410	RING AND FELT HOLDER	1	
26	EM14411	PISTON CUP-BLACK	1	
26	EM98051	PISTON CUP-ORANGE	1	
27	EM14412	BUSHING 1 1/4 CRS	1	
28	EM18409	O-RING 1"	2	
29	EM14413	FACE PLATE	1	
30	EM14807HD	CONCRETE CYLINDER	1 3-3/4 IN. LIP SLEEVE
32	EM968446	NUT HEX, 3/4-10	3	
33	EM14808	PISTON ROD ASSY.	1	
34	EM16493	FELT RING	1	
35	EM20328TKIT	BEARING KIT	1 INCLUDES ITEMS W/*

C-30HDG PUMP — ROCKER ASSY.

ROCKER ASSY.



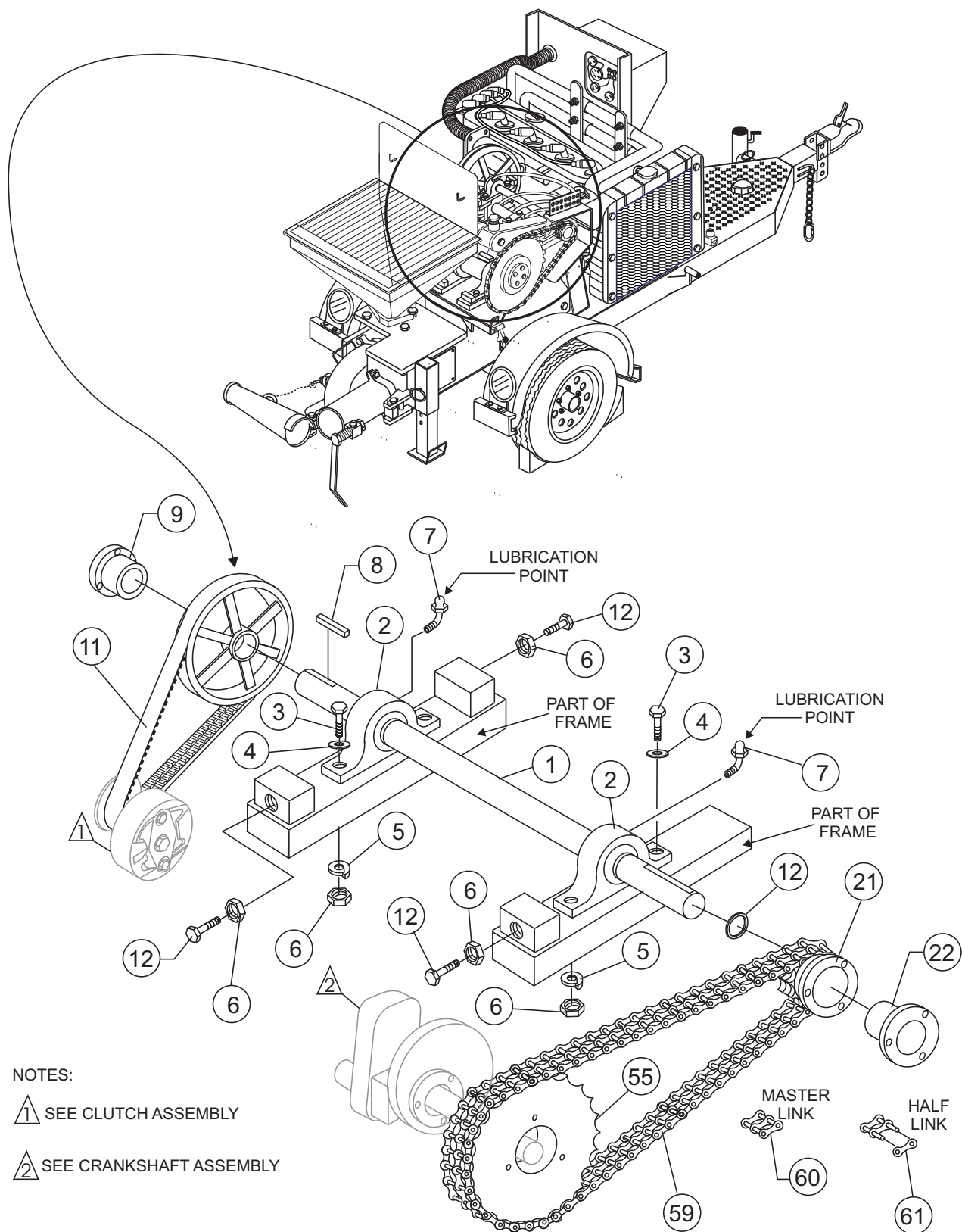
C-30HDG PUMP — ROCKER ASSY.

ROCKER ASSY.

<u>NO.</u>	<u>PART NO.</u>	<u>PART NAME</u>	<u>QTY.</u>	<u>REMARKS</u>
1	EM14329	SHAFT ROCKER ARM	1	
2	EM14116	JOURNAL BLOCK	1	
3	EM963180	SCREW, HHC 3/4"-10X5	2	
4	EM923350	WASHER LOCK 3/4" SPRING STEEL	2	
5	EM14846	CAM ROCKER ARM	1	INCLUDES ITEMS W/+
6	EM133	BOLT 1"-14X2" HEX HEAD	1	
7	EM603	WASHER 1" LOCK	1	
8	EM916001	ZERK FITTING	1	
9	EM903092	CAM BEARING (TIMKEN)	1	BEFORE JANUARY 2017
9	EM98296	CAM BEARING (MCGILL)	1	AFTER DECEMBER 2016
10	EM20347	CAM BEARING SPACER	2	BEFORE JANUARY 2017
10	EM98298	CAM BEARING SPACER	2	AFTER DECEMBER 2016
11	EM402434	CAM BEARING BUSHING	1	BEFORE JANUARY 2017
11	EM98297	CAM BEARING BUSHING	1	AFTER DECEMBER 2016
12	EM20344	SPECIAL BOLT	1	
13	EM916001	ZERK FITTING	1	
14	EM417	NUT FLEX LOCK	1	
15	EM402456	OILER FELT	2	
16	EM607	WASHER, FLAT 5/8"	1	
17	EM20349	OILER PLUG, PLASTIC	1	
19	EM969038	NUT STOP REG. 3/4"-10	1	
20%	EM903163	BEARING CUP	1	
21%	EM20814	BEARING BUSHING	1	
22%	EM20813	SPACER	1	
23%	EM903162	BEARING CONE	2	
24%	EM20816	O-RING	2	
25	EM105	BOLT 1"-14X6" HEX HEAD	1	
27#+	EM203262	BRONZE BUSHING	4	
28	EM20364	CONNECTING ROD	1	
30	EM702	SCREW ALLEN HEAD 3/8"-16X3/4"	1	
31	EM505490	ZERK FITTING	1	
35	EM14328	ROCKER ARM ASSY.	1	INCLUDES ITEM W/#
36	EM402996	SEAL PLATE	1	
37	EM20336	O-RING	1	
38	EM903176	BEARING	1	
40	EM20338	SPACER	1	
41	EM923348	WASHER LOCK 5/8	1	
42	EM503982	BOLT 1/2-13X5	1	
43	EM98043	FORGED CRANKSHAFT	1	
44	EM417	NUT, LOCK 3/4"-10	2	
45	EM202	BOLT, HEX 1-8 X 6 LG.	1	
46	EM20328TKIT	BEARING KIT	1	INCLUDES ITEMS W/%
47	EM104	HHCS 5/8-11 X 2" G5	1	

C-30HDG PUMP — COUNTER-SHAFT ASSY.

COUNTERSHAFT ASSY.



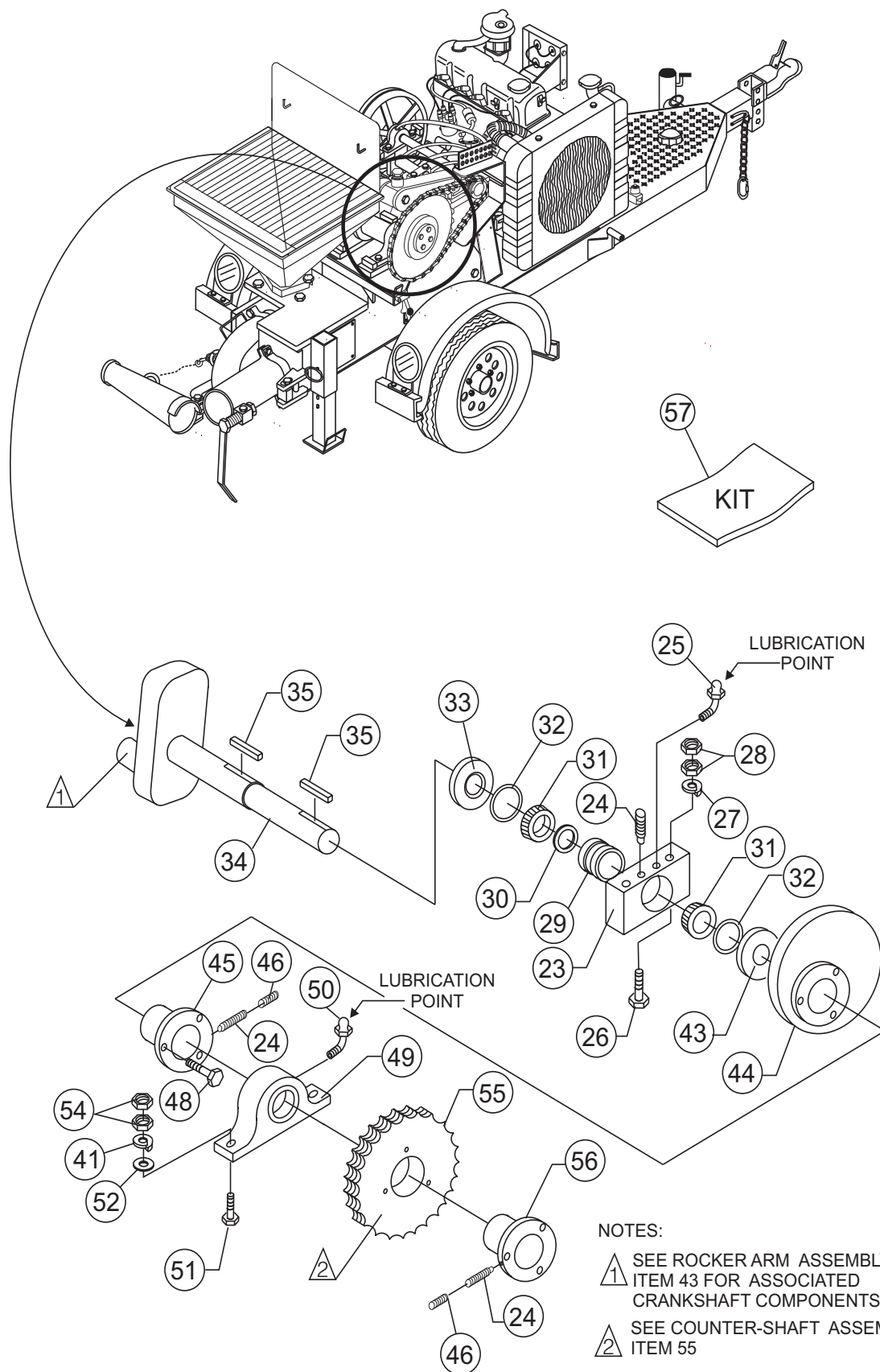
C-30HDG PUMP — COUNTER-SHAFT ASSY.

COUNTER-SHAFT ASSY.

<u>NO.</u>	<u>PART NO.</u>	<u>PART NAME</u>	<u>QTY.</u>	<u>REMARKS</u>
1	EM513073	COUNTER SHAFT	1	
2	EM14311	CAM BEARING	2	
3	EM124	BOLT HEX 1/2 X 1-3/4	2	
4	EM1621	WASHER 5"	2	
5	EM923346	WASHER, LOCK1/2"	2	
6	EM968011	NUT HEX, 1/2-13	2	
7	EM916001	FITTING	1	
8	EM14316	KEY WAY 3/8"X2.5"	1	
9	EM14314	BUSHING, PULLEY	1	
10	EM14313	PULLEY	1	
11	EM14315	BELT, DOUBLE	1	
12	EM143111	SET COLLAR	1	
21	EM14318	SPROCKET, 13 TOOTH	1	
22	EM14319	BUSHING	1	
55	EM14307	SPROCKET 60 TEETH	1	
57	EM1702	SCREW ALLEN HEAD 3/8"-16X3/4"	1	
58	EM703	SET SCREW 3/8"-16X3/8"	1	
59	EM14308	CHAIN W/MASTER LINK	1	
60	EM26314	LINK MASTER	1	
61	EM26313	HALF LINK	1	

C-30HDG PUMP — CRANKSHAFT ASSY.

CRANKSHAFT ASSY.



NOTES:

- ① SEE ROCKER ARM ASSEMBLY ITEM 43 FOR ASSOCIATED CRANKSHAFT COMPONENTS.
- ② SEE COUNTER-SHAFT ASSEMBLY, ITEM 55

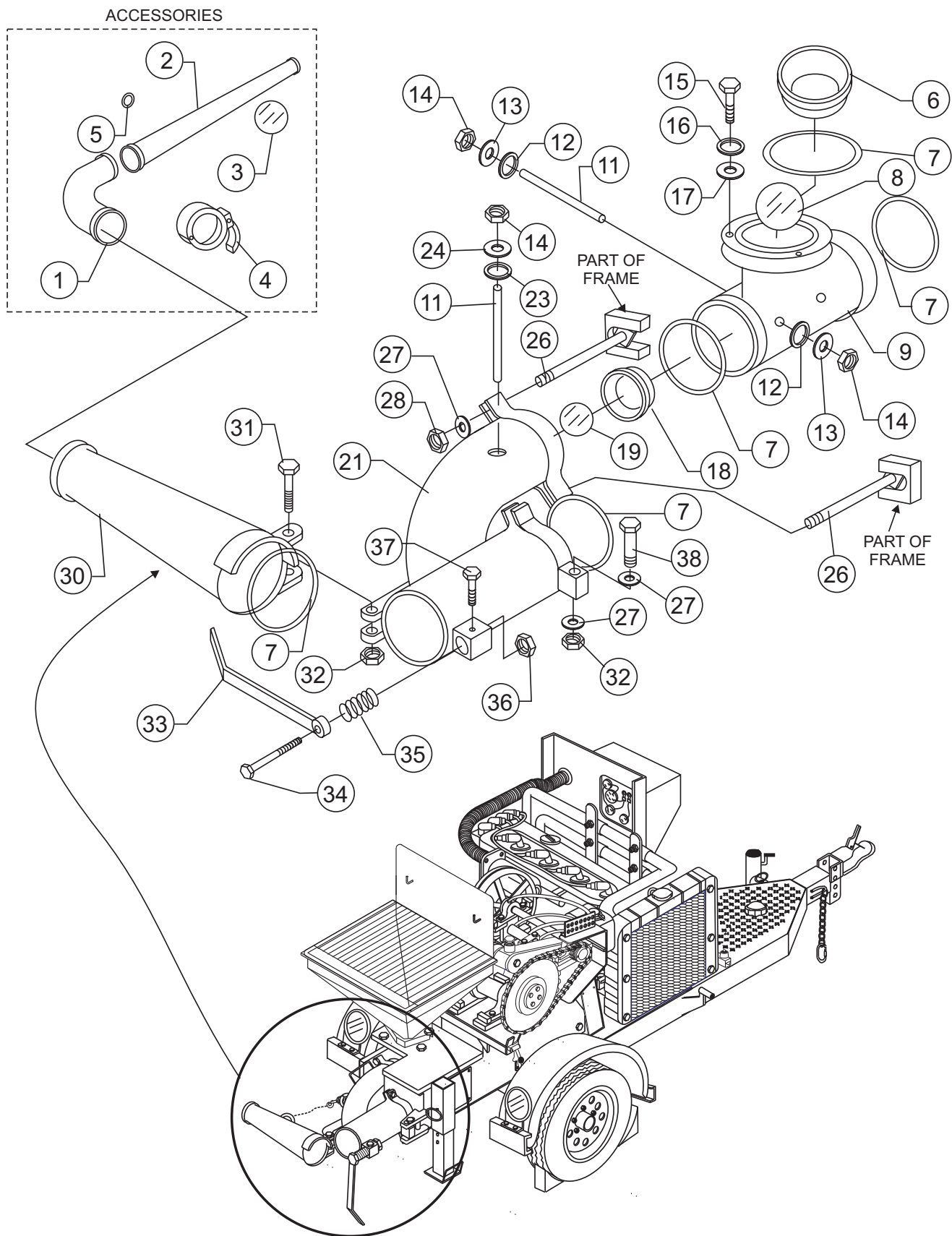
C-30HDG PUMP — CRANKSHAFT ASSY.

CRANKSHAFT ASSY.

<u>NO.</u>	<u>PART NO.</u>	<u>PART NAME</u>	<u>QTY.</u>	<u>REMARKS</u>
23*	EM14303	BEARING BLOCK	1	
24*	EM702	SCREW, ALLEN HEAD 3/8-16X3/4	6	
25	EM505490	ZERK FITTING	1	
26	EM129	SCREW, HHC 3/4-10X8-1/2	2	
27	EM492628	LOCK WASHER 3/4	2	
28	EM968446	NUT HEX, 3/4-10 GR5	4	
29*	EM14324	CUP BEARING	1	
30*	EM14323	SPACER BEARING CONE	1	
31*	EM14325	CONE BEARING	2	
32*	EM14326	O-RING	2	
33*	EM14322	SPACER	1	
34*	EM98043	CRANKSHAFT, FORGED	1	
35*	EM14306	KEY CRANKSHAFT	2	
38	EM903176	BEARING	1	
40	EM402996	SEAL PLATE	1	
41	EM923348	WASHER, LOCK 5/8"	2	
43*	EM14302	SPACER, CAM BUSHING	1	
44*	EM14300	CAM ASSY.	1	
45*	EM14301	BUSHING, CAM	1	
46*	EM703	SCREW ALLEN HEAD 3/8-16X3/8	6	
48*	EM175	BOLT 3/8-16X1-1/4	6	
49*	EM14304	BEARING-CAM COMPLETE	1	
50*	EM916001	ZERK FITTING	1	
51	EM128	BOLT 5/8-11X4" HEX HEAD	2	
52	EM620	WASHER, SPECIAL 5/8"	2	
54	EM968013	NUT HEX 5/8-11	4	
55	EM14307	SPROCKET 60 TEETH	1	
56	EM14309	BUSHING	1	
57	EM98043K	CRANKSHAFT FORGE ASSEMBLY	1	INCLUDES ITEM W/*

C-30HDG PUMP — MANIFOLD ASSY.

MANIFOLD ASSY.



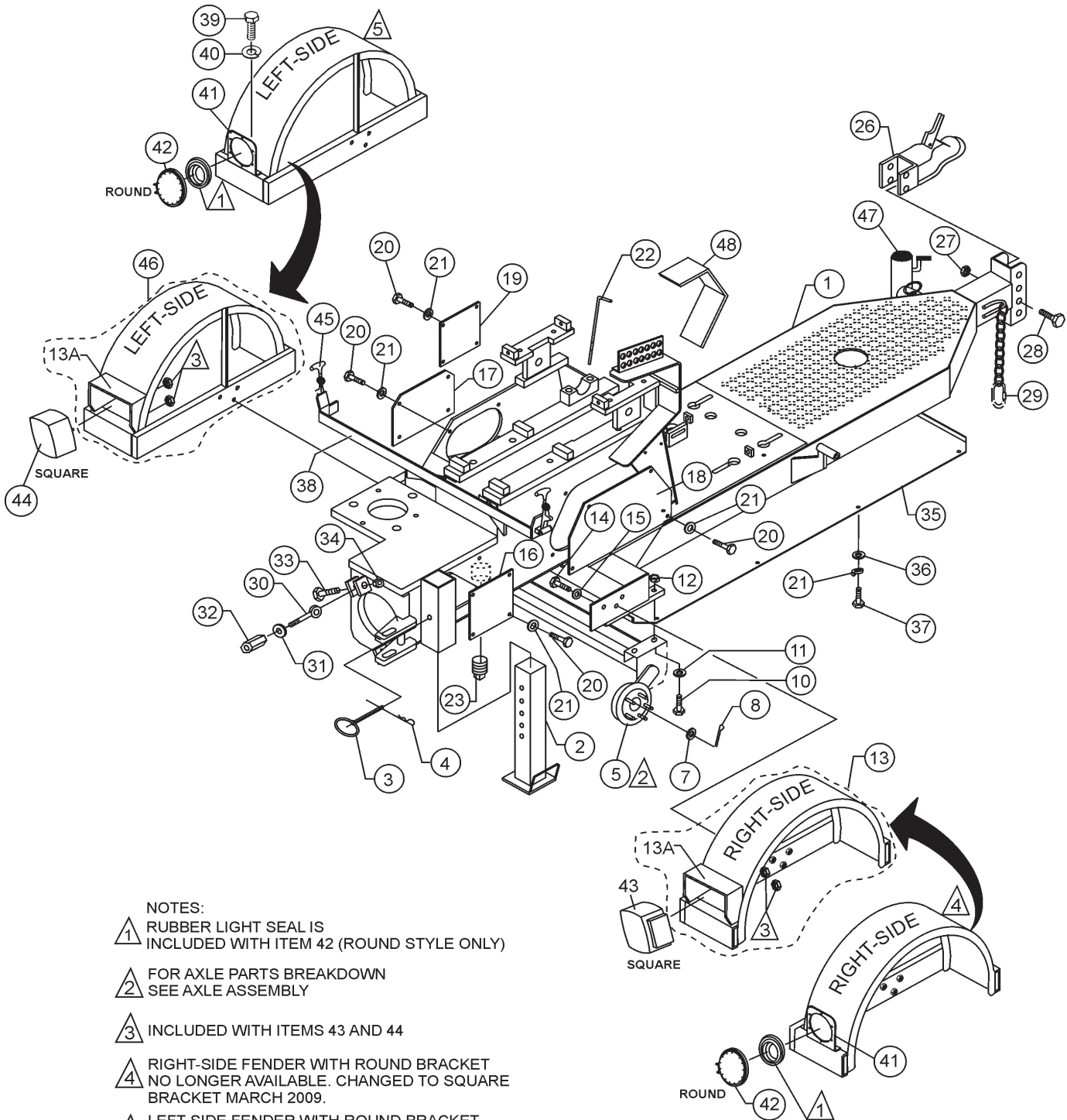
C-30HDG PUMP — MANIFOLD ASSY.

MANIFOLD ASSY.

<u>NO.</u>	<u>PART NO.</u>	<u>PART NAME</u>	<u>QTY.</u>	<u>REMARKS</u>
1	EM23946	ELBOW 3"X90 DEG.HD	1	
2	EM28004DD	REDUCER 3X2X36 HD	1	
3	EM2C0B	BALL 2" SPONGE	2	
4	EM28904	COUPLING 3" HD *CF*	2	
5	EM18409	O-RING 1"	4	
6	EM14843	UPPER DURASEAT	1	
7	EM18801	O-RING	6	
8	EM18804	BALL 4-1/2"	1	
9	EM14801	MANIFOLD T ASSY.	1	
11	EM136	PIN BALL STOP 3/4-16 x 8	3	
12	EM18409	O-RING	4	
13	EM618	WASHER SPECIAL	4	
14	EM968266	NUT JAM HEX 3/4-16	4	
15	EM104	BOLT 5/8-11X2" HEX HEAD	3	
16	EM923348	WASHER LOCK 5/8 SPRING	3	
17	EM505882	WASHER, 5/8	3	
18	EM14842	SEAT DURA LOWER	1	
19	EM14818	BALL 4"	1	
21	EM14819A	MANIFOLD ASSY. EASY OPEN	1	
23	EM18409	O-RING	2	
24	EM618	WASHER SPECIAL	2	
26	EM137	TEE-BOLT 3/4-10X14"	2	
27	EM619	WASHER 3/4"	2	
28	EM968446	NUT HEX 3/4"-10 GR5	2	
30	EM14850	EXHAUST GATE "H/D"	1	
31	EM963180	CAPSCREW 3/4-10X5 HEX HD G8	1	
32	EM969038	NUT STOP REG.3/4-10	2	
33	EM14845	ARM CLAMP	1	
34	EM135	BOLT 1-1/4" -12X7" HEX HD.	1	
35	EM14810	SPRING	1	
36	EM451	NUT 1-1/4" -12 LOCK	1	
37	EM160	BOLT 3/8-16X3/4"	1	
38	EM509329	SCREW HHC 3/4-10X6	1	

C-30HDG PUMP — FRAME ASSY.

FRAME ASSY.



- NOTES:
- ① RUBBER LIGHT SEAL IS INCLUDED WITH ITEM 42 (ROUND STYLE ONLY)
 - ② FOR AXLE PARTS BREAKDOWN SEE AXLE ASSEMBLY
 - ③ INCLUDED WITH ITEMS 43 AND 44
 - ④ RIGHT-SIDE FENDER WITH ROUND BRACKET NO LONGER AVAILABLE. CHANGED TO SQUARE BRACKET MARCH 2009.
 - ⑤ LEFT-SIDE FENDER WITH ROUND BRACKET NO LONGER AVAILABLE. CHANGED TO SQUARE BRACKET MARCH 2009.

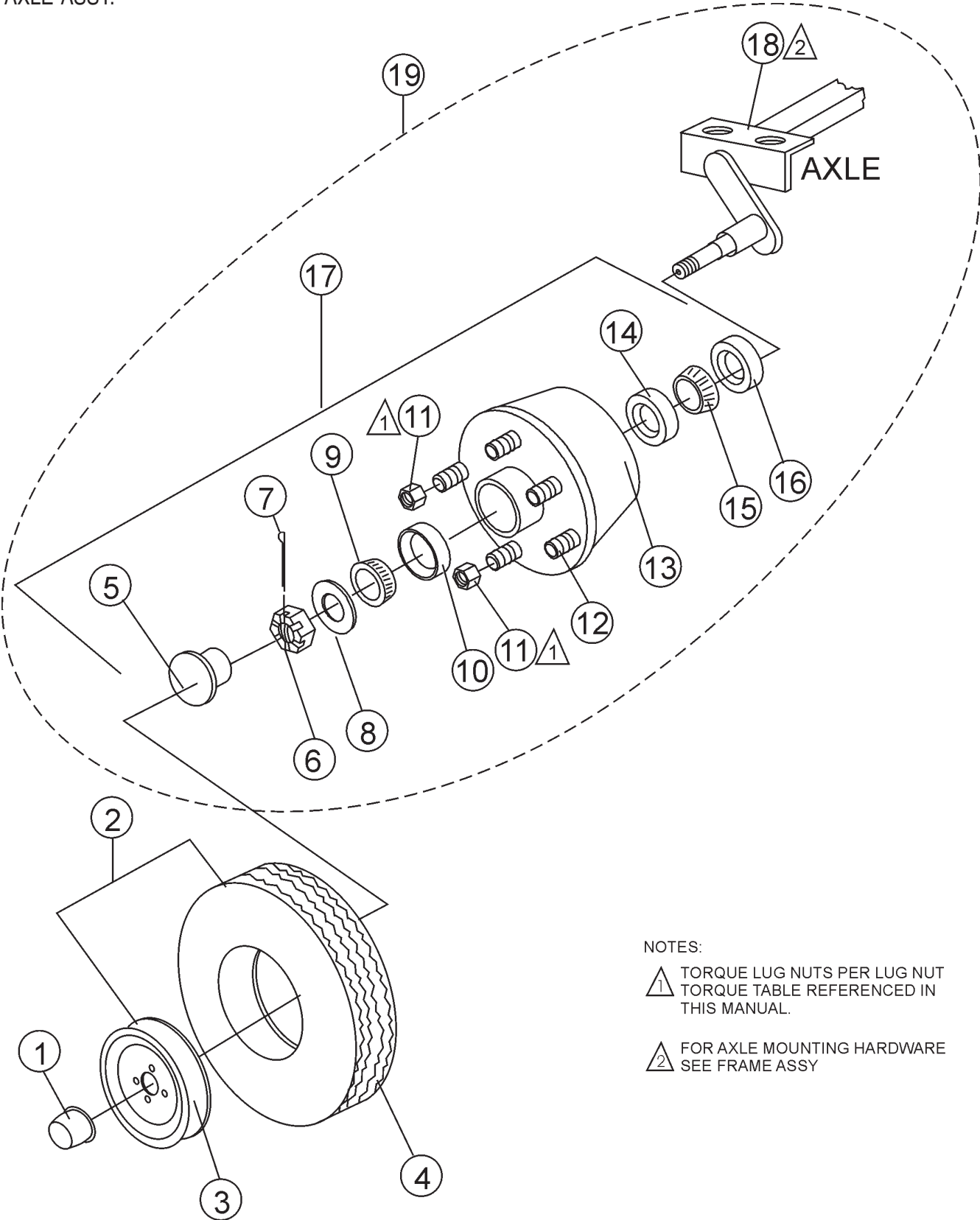
C-30HDG PUMP — FRAME ASSY.

FRAME ASSY.

<u>NO.</u>	<u>PART NO.</u>	<u>PART NAME</u>	<u>QTY.</u>	<u>REMARKS</u>
1	EM513085	FRAME ASSEMBLY	1	
2	EM70186	JACK STAND, REAR	1	
3	EM744	CLEVIS PIN 1/2" X 4"	1	
4	EM745	HAIR PIN C 5/8- 3/4"	1	
5	EM14600A	AXLE, ASSEMBLY	1	
7	501299	WASHER THICK 1"	2	
8	491689	KEY COTTER 1/8 X 2	2	
10	EM492396	SCREW HHC 1/2- 13 X 2	4	
11	EM621	WASHER .5"	4	
12	EM406	NUT LOCK 1/2" DIA.	4	
13	EM511418	FENDER RIGHT-SIDE	1	INCLUDES ITEM W/%
13A%#	518570	BRACKET LIGHT, SQUARE	2	FROM MARCH 2009
14	981635	BOLT, HHC 1/2- 13 X 3/4	6	
15	6109180	WASHER LOCK 1/2"	6	
16	EM512251	COVER	1	
17	EM512252	COVER	1	
18	EM512253	COVER	1	
19	EM512250	COVER	1	
20	EM492309	SCREW, HHC	16	
21	0166 A	WASHER, LOCK 3/8"	24	
22	EM512263	ROD	1	
23	EM507895	PLUG, 2 1/2 NPT	2	
26	29228	HITCH, TONGUE 2"	1	
27	EM969023	NUT, HEX 5/8" NC	2	
28	EM507658	SCREW, HHC 5/8" NC 4-1/2 G5	2	
29	EM509947	LINK, QUICK	2	
30	EM14165	BOLT EYE	2	
31	EM619	WASHER 3/4" WILLIAM	2	
32	EM968002	NUT COUPLING 3/4- 10	2	
33	EM505121	SCREW 3/4"- 10 X 3 GR.5	2	
34	EM969038	NUT STOP REG. 3/4- 10	2	
35	EM513078	COVER, CHASSIS BOTTOM	1	
36	10136	WASHER, FLAT 3/8	8	
37	EM492264	HHCS. 3/8" NC X 1"	8	
38	EM929028	HOOD REST, STEEL	2	
39	492363	SCREW HHC 5/16- 18 X 3/4"	4	
40	EM923343	WASHER LOCK 5/16"	4	
41	EM265361	BRACKET LIGHT, ROUND	2	BEFORE MARCH 2009
42	EM26536	TAIL LIGHT, ROUND	2	BEFORE MARCH 2009
43	29242	TAIL LIGHT, SQ. (RIGHT-SIDE, CURB)	2	FROM MARCH 2009
44	29243	TAIL LIGHT, SQ. (LEFT-SIDE, STREET)	2	FROM MARCH 2009
45	491010	HOOD FASTENER, RUBBER	2	
46	EM513087	FENDER LEFT-SIDE	1	INCLUDES ITEM W/#
47	25610	JACK STAND, FRONT	1	
48	EM513199	BRACKET, CLUTCH SAFETY	1	

C-30HDG PUMP — AXLE ASSY.

AXLE ASSY.



NOTES:

△ 1 TORQUE LUG NUTS PER LUG NUT TORQUE TABLE REFERENCED IN THIS MANUAL.

△ 2 FOR AXLE MOUNTING HARDWARE SEE FRAME ASSY

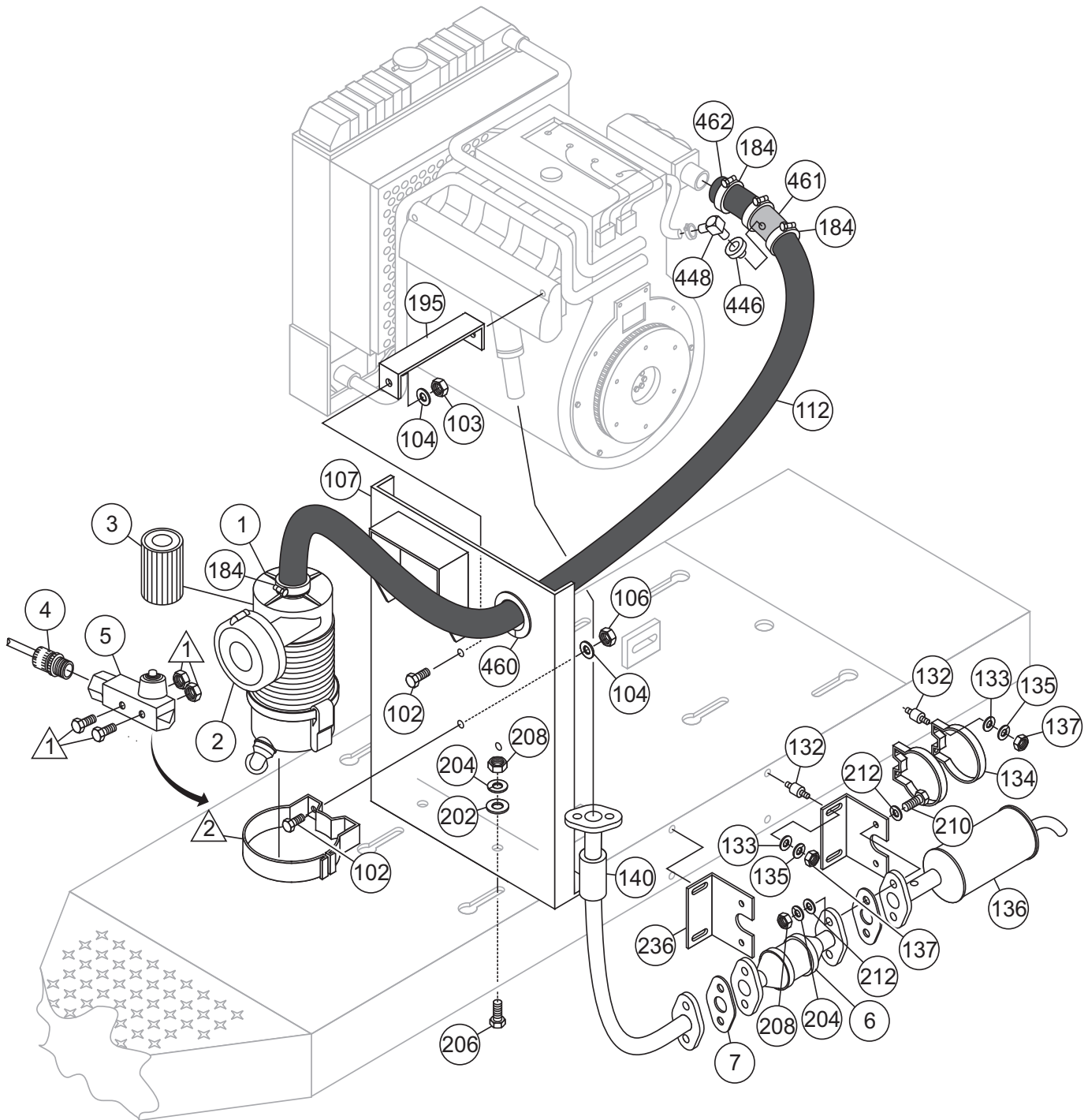
C-30HDG PUMP — AXLE ASSY.

AXLE ASSY.

<u>NO.</u>	<u>PART NO.</u>	<u>PART NAME</u>	<u>QTY.</u>	<u>REMARKS</u>
1	EM26518	CAP 14" CHROME	2	
2	EM26615A	TIRE ASSY.....	2	INCLUDES ITEMS W/*
3*		WHEEL	2	CANNOT BE PURCHASED SEPARATELY
4*		TIRE 14"	2	CANNOT BE PURCHASED SEPARATELY
5#	EM26306	DUST COVER	2	
6#	EM968481	CASTLE NUT	2	
7	EM705	PIN, COTTER 3/16X1 1/2	2	
8#	EM26329	WASHER	2	
9#	EM903113	OUTER BEARING	2	
10#	EM903012	OUTER CUP	2	
11#	EM26519	NUT	12	
12#	EM20612	STUD	12	
13#	EM26300	HUB	2	
14#	EM903169	INNER CUP	2	
15#	EM903168	INNER BEARING	2	
16#	EM26305	GREASE SEAL	2	
17%	EM20601	HUB ASSEMBLY	2	INCLUDES ITEMS W/#
18%	EM14600	AXLE	1	
19	EM14600A	AXLE WITH HUBS INSTALLED	1	INCLUDES ITEMS W/%

C-30HDG PUMP — MUFFLER, AIR FILTER, AND STOP SWITCH ASSY.

MUFFLER, AIR FILTER AND STOP SWITCH ASSY.



NOTES:

- ▲ 1 STOP SWITCH MOUNTING HARDWARE IS INCLUDED WITH ITEM 5.
- ▲ 2 CLAMP IS INCLUDED WITH ITEM 1.

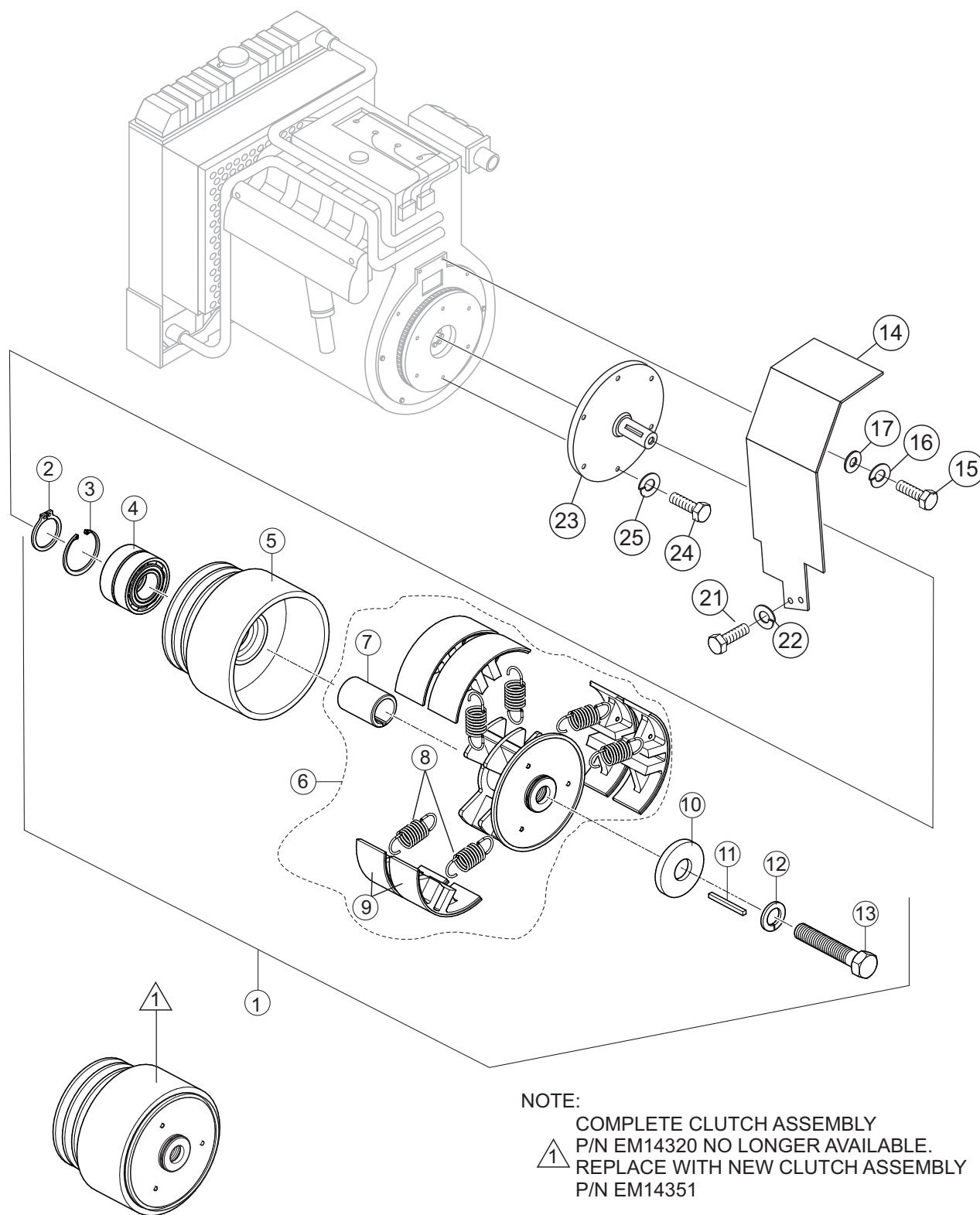
C-30HDG PUMP — MUFFLER, AIR FILTER, AND STOP SWITCH ASSY.

MUFFLER, AIR FILTER AND STOP SWITCH ASSY.

<u>NO.</u>	<u>PART NO.</u>	<u>PART NAME</u>	<u>QTY.</u>	<u>REMARKS</u>
1	EM98076	FILTER, AIR	1	
2	EM98162	PRECLEANER, AIR FILTER	1	
3	ZE1	ELEMENT, AIR FILTER	1	
4	EM491873	GLAND CONNECTOR	1	
5	EM14217	STOP SWITCH, ENGINE COVER	1	
6	ZPPC6741620	CATALYTIC CONVERTER	1.....	INCLUDED W/ENGINE
7	ZPPC14667	GASKET	2.....	INCLUDED W/ENGINE
102	492363	BOLT, 5/16" DIA NC X 3/4" G5	3	
103	2105164	NUT, LOCK 5/16"	1	
104	EM923023	WASHER FLAT 5/16"	3	
106	2105164	NUT 5/16"	2	
107	EM516995	PANEL, FILTER SUPPORT	1	
112	EM513102	FLEX HOSE, AIR CLEANER 2"	1.....	JUNE 2007 AND BELOW
112	EM517690	FLEX HOSE, AIR CLEANER 2", 29.7"	1.....	JULY 2007 AND ABOVE
132	EM513110	SHOCK MOUNT	8	
133	EM923057	WASHER 1/4"	8	
134	EM98078	CLAMP	2	
135	2101402	WASHER SPRING 1/4"	8	
136	517293	MUFFLER	1	
137	EM968435	NUT HEX 1/4-20	8	
140	EM517292	EXHAUST PIPE	1	
184	EM513126	CLAMP	2.....	JUNE 2007 AND BELOW
184	EM513126	CLAMP	4.....	JULY 2007 AND ABOVE
195	EM516996	BRACKET	1	
202	3019092	WASHER FLAT 3/8"	2	
204	0166 A	WASHER LOCK 3/8" MED	6	
206	EM963610	CAPSCREW 3/8" NC X 1-1/4" G8	2	
208	1456	NUT HEX FINISH 3/8-16	6	
210	492378	BOLT HHSC G-5	4	
212	EM504679	WASHER FLAT 3/8"	8	
236	EM515458	SUPPORT FRONT	2	
446	19633	BUSHING, RUBBER FUEL	1	
448	12008	FITTING, 90°	1	
460	EM505831	GASKET	1	
461	EM517679	SLEEVE	1.....	JULY 2007 AND ABOVE
462	EM517687	HOSE, 8"	1.....	JULY 2007 AND ABOVE

C-30HDG PUMP — CLUTCH ASSY.

CLUTCH ASSY.



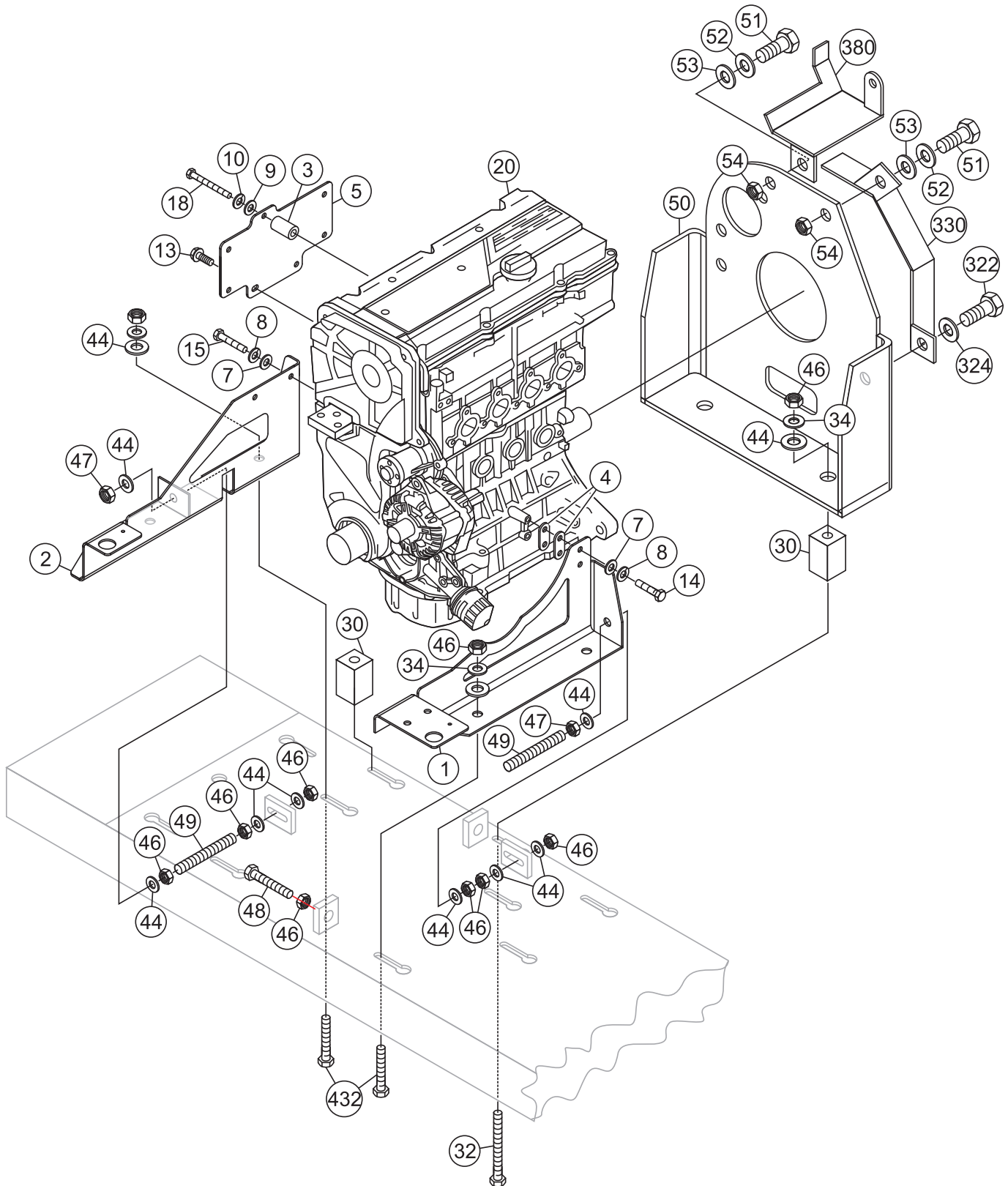
C-30HDG PUMP — CLUTCH ASSY.

CLUTCH ASSY.

<u>NO.</u>	<u>PART NO.</u>	<u>PART NAME</u>	<u>QTY.</u>	<u>REMARKS</u>
1	EM14351	CLUTCH ASSEMBLY COMPLETE	1	INCLUDES ITEMS W/%
2%	EM01900311	SNAP RING	1	
3%	EM01900312	SNAP RING	1	
4%	03000055	CLUTCH BEARING	1	
5%	01660010	CLUTCH HOUSING (DRUM)	1	
6%	EMR60600304	ROTOR ASSEMBLY	1	INCLUDES ITEMS W/#
7%#	EM11300928	HUB	1	
8%#	EM01030108	SPRING	6	
9%#	EM11200200	SHOE	6	
10%		WASHER	1	CANNOT BE PURCHASED SEPARATELY
11%		KEY	1	CANNOT BE PURCHASED SEPARATELY
12%	EM923346	WASHER, LOCK	1	
13%	EM963105	RETAINING BOLT, HHCS 1/2-13X2 G5	1	
14	513199	GUARD, CLUTCH	1	
15	509252	SCREW, M10 X 20 P-1-1.58.8	2	
16	492625	WASHER, LOCK 7/16"	2	
17	3019092	WASHER, FLAT 3/8	2	
21	492357	BOLT, 1/4" NC X 1 GR 5	2	
22	2101402	WASHER, LOCK 1/4"	2	
23	EM517015	SHAFT STUB (FLANGE) ENGINE	1	
24	EM508342	SCREW, HHC M8X25	6	
25	0166 A	WASHER, LOCK 3/8"	6	

C-30HDG PUMP — ENGINE MOUNTING BRACKETS ASSY.

ENGINE MOUNTING BRACKETS ASSY.



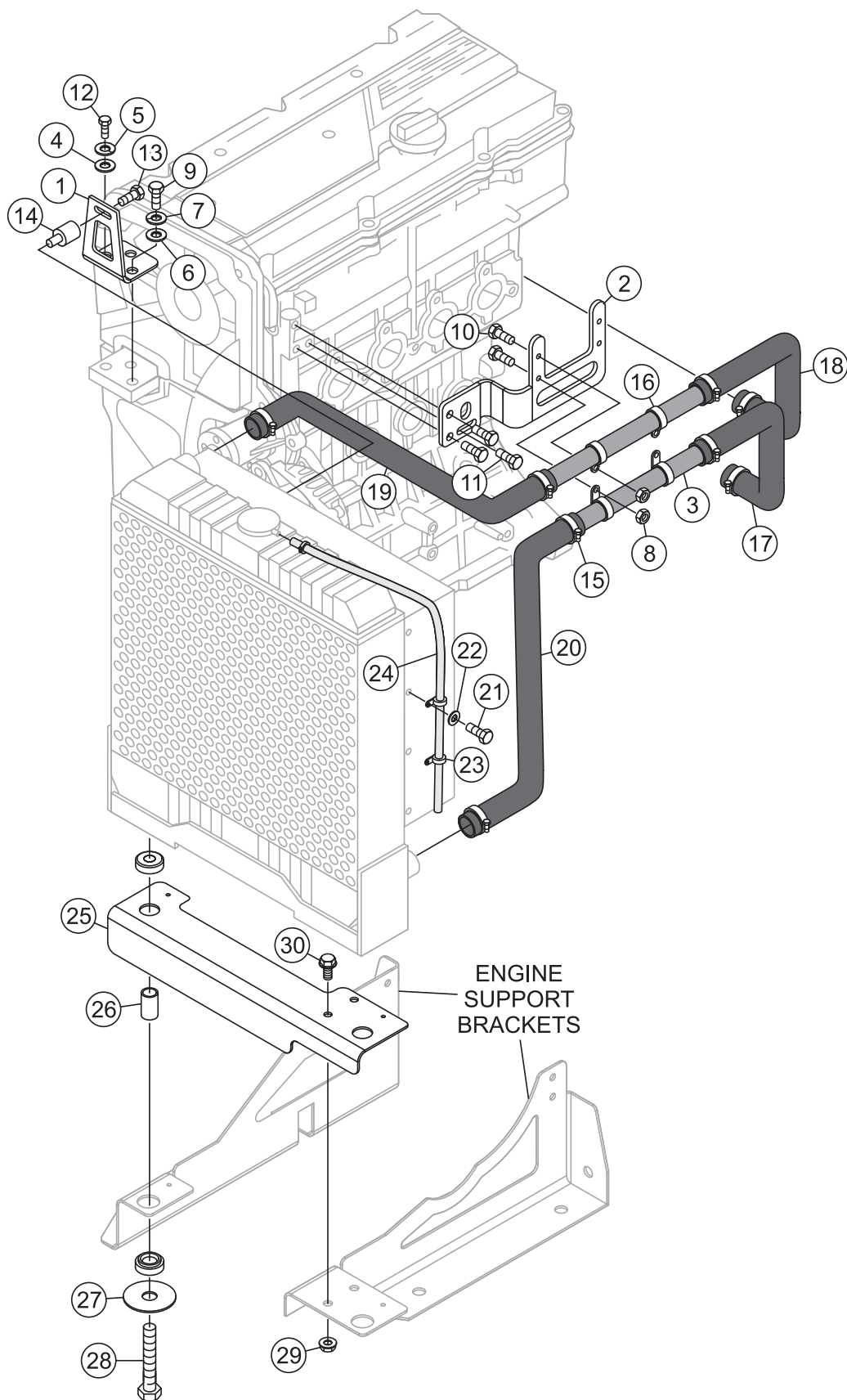
C-30HDG PUMP — ENGINE MOUNTING BRACKETS ASSY.

ENGINE MOUNTING BRACKETS ASSY.

<u>NO.</u>	<u>PART NO.</u>	<u>PART NAME</u>	<u>QTY.</u>	<u>REMARKS</u>
1	EM517379	SUPPORT BRACKET, RIGHT	1	
2	EM517418	SUPPORT BRACKET, LEFT	1	
3	20900059	SPACER, 20 OD X 11 ID X 32 LONG	1	
4	20900063	SPACER, 76 X 30 X 6.35	2	
5	21000205	BRACKET, ECU MOUNT	1	
7	64700072	PLAIN WASHER, 10MM	4	
8	64700073	HELICAL SPRING LOCK WASHER, 10MM	4	
9	64700079	PLAIN WASHER, 8MM	1	
10	64700080	HELICAL SPRING LOCK WASHER, 8MM	1	
13	64900022	HEX SERRATED FLANGE CAP SCREW, M8-1.25 X 20	2	
14	64900083	HEX CAP SCREW, M10-1.25X35	2	
15	64900160	HEX CAP SCREW, M10-1.25X30	2	
18	64900205	HEX CAP SCREW, M8/1.25 X 60	1	
20	EM516977	ENGINE, HYUNDAI ZENITH C-30	1	
30	EM516981	BRACKET RISER	2	
32	EM513204	BOLT 1/2" NC X 5"	2	
34	6109180	WASHER, LOCK 1/2"	6	
44	6109170	WASHER, FLAT 1/2"	14	
46	6109160	HEX NUT, 1/2-13	14	
47	492580	NUT, 1/2"	2	
48	EM505123	BOLT HEX 1/2 X 2-1/2"	2	
49	EM513089	THREADED PIECE	2	
50	EM517487	SUPPORT BRACKET, REAR	1	
51		BOLT	2	INCLUDED W/ENGINE
52		WASHER	2	INCLUDED W/ENGINE
53		WASHER	2	INCLUDED W/ENGINE
54		NUT	2	INCLUDED W/ENGINE
322	EM506886	BOLT M8X20	1	
324	EM923343	WASHER LOCK 5/16"	1	
432	EM513094	BOLT, 1/2" NC X 1-3/4"	4	
330	EM517024	CLUTCH GUARD	1	
380	EM517351	GUARD	1	

C-30HDG PUMP — RADIATOR, MOUNTING BRACKET AND HOSES ASSY.

RADIATOR, BRACKET AND HOSES ASSY.



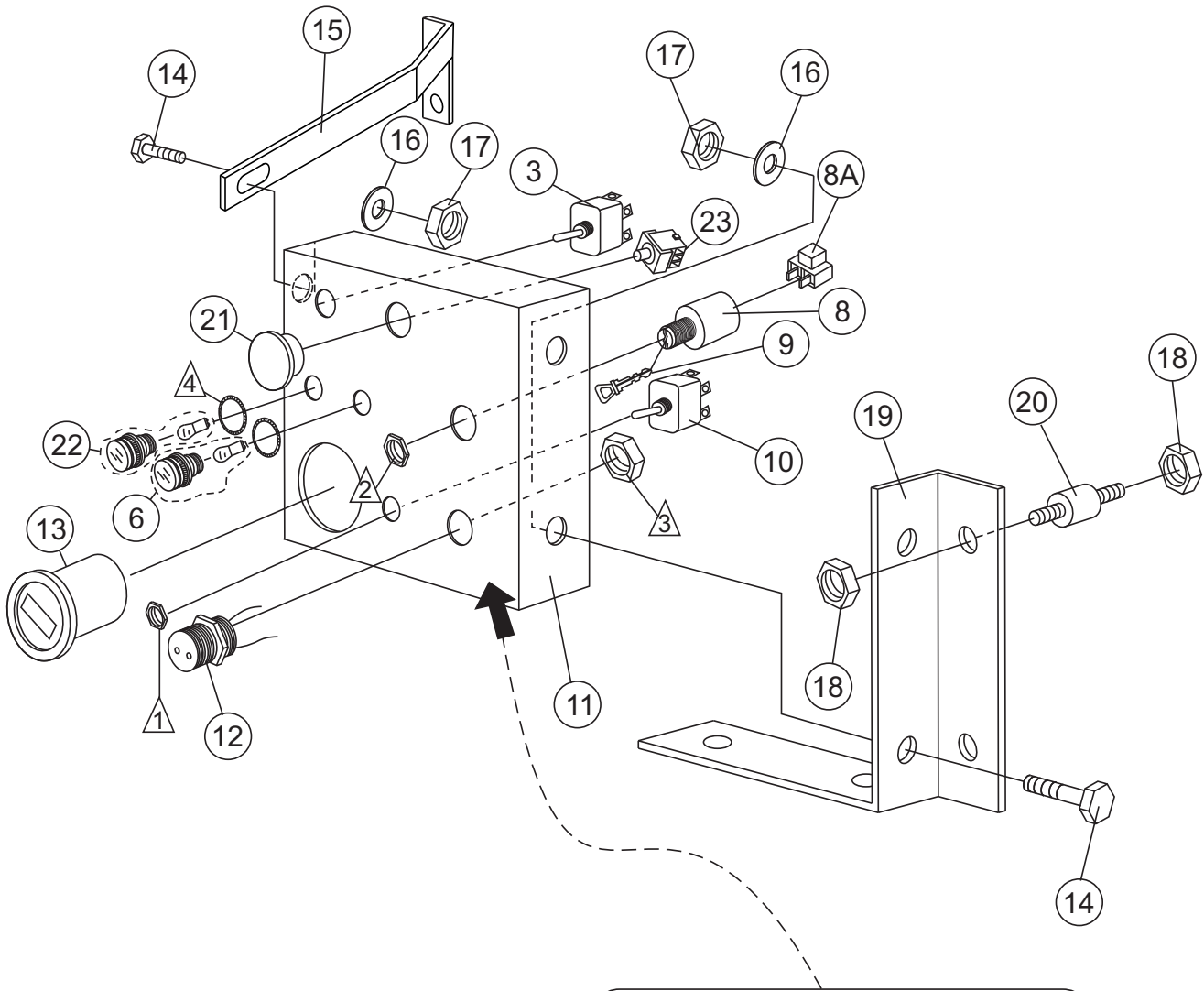
C-30HDG PUMP — RADIATOR, MOUNTING BRACKET AND HOSES ASSY.

RADIATOR, BRACKET AND HOSES ASSY.

<u>NO.</u>	<u>PART NO.</u>	<u>PART NAME</u>	<u>QTY.</u>	<u>REMARKS</u>
1	20800072	BRACKET, TOP MOUNT	1	
2	21000161	BRACKET, TUBE SUPPORT	1	
3	62410120	CONNECTOR, STRAIGHT 410 X 32 DIA	2	
4	64700072	PLAIN WASHER, 10 MM	1	
5	64700073	HELICAL SPRING LOCK WASHER, 12MM	1	
6	64700098	WASHER, PLAIN 12MM X 23.7MM	2	
7	64700126	HELICAL SPRING LOCK WASHER, 12MM	2	
8	64800164	NUT, LOCK, FLANGE, M6-1	4	
9	64900002	HEX CAP SCREW, M12-1.25 X 30	2	
10	64900026	HEX SERRATED FLANGE CAP SCREW, M6-1 X 20	4	
11	64900035	HEX SERRATED FLANGE CAP SCREW, M10-1.25 X 20	3	
12	64900083	HEX CAP SCREW, M10-1.25 X 35	1	
13	64900174	HEX SERRATED FLANGE CAP SCREW, M8-1.25 X 16	1	
14	65500001	ISOLATOR, 32 X32, M8-1.25	1	
15	68800001	CLAMP, HOSE, WORM-DRIVE	8	
16	68800018	CLAMP, TUBE/HOSE, LOOP/OFFSET	4	
17	68900360	HOSE, 20R4, DIA 32, HYUNDAI 1.6 TOP REAR	1	
18	68900359	HOSE, 20R4, DIA 32, HYUNDAI 1.6 LOWER REAR	1	
19	68900361	HOSE, 20R4, DIA 32, HYUNDAI 1.6 TOP FRONT	1	
20	68900362	HOSE, 20R4, DIA 32, HYUNDAI 1.6 FRONT BOTTOM	1	
21	492356	BOLT, 1/4" X 3/4"	2	
22	2101402	WASHER SPRING 1/4"	2	
23	EM513116	CLAMP 1/2"	2	
24	EM514536	HOSE	1	
25	22000184	BRACKET, CROSS	1	
26	65500002	ISOLATOR, 46.4MM, 51.21MM, 1/2-13	2	
27	64700096	LARGE OD PLAIN WASHER, 1/2 X 2 X 1/8	2	
28	64900182	HEX CAP SCREW, 1/2 - 13 X 2-1/2	2	
29	64800059	HEX SERRATED FLANGE NUT, M10-1.5	2	
30	64900173	HEX SERRATED FLANGE CAP SCREW, M10-1.5X25	2	

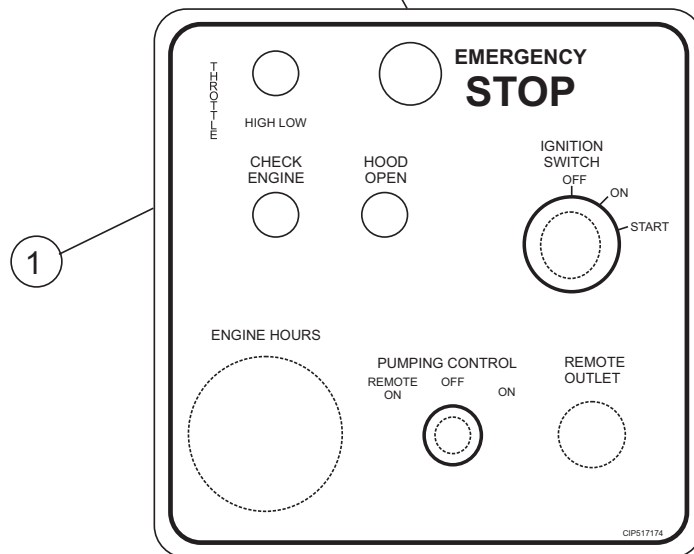
C-30HDG PUMP — CONTROL BOX ASSY.

CONTROL BOX ASSY.



NOTES:

- ① INCLUDED WITH ITEM 10,
PUMPING CONTROL SWITCH P/N 40711
- ② INCLUDED WITH ITEM 8,
IGNITION SWITCH P/N 506267
- ③ INCLUDED WITH ITEM 12,
REMOTE OUTLET PLUG P/N 26789
- ④ INCLUDED WITH ITEM 6 or 22,
PILOT LAMP ASSY. P/N 513099



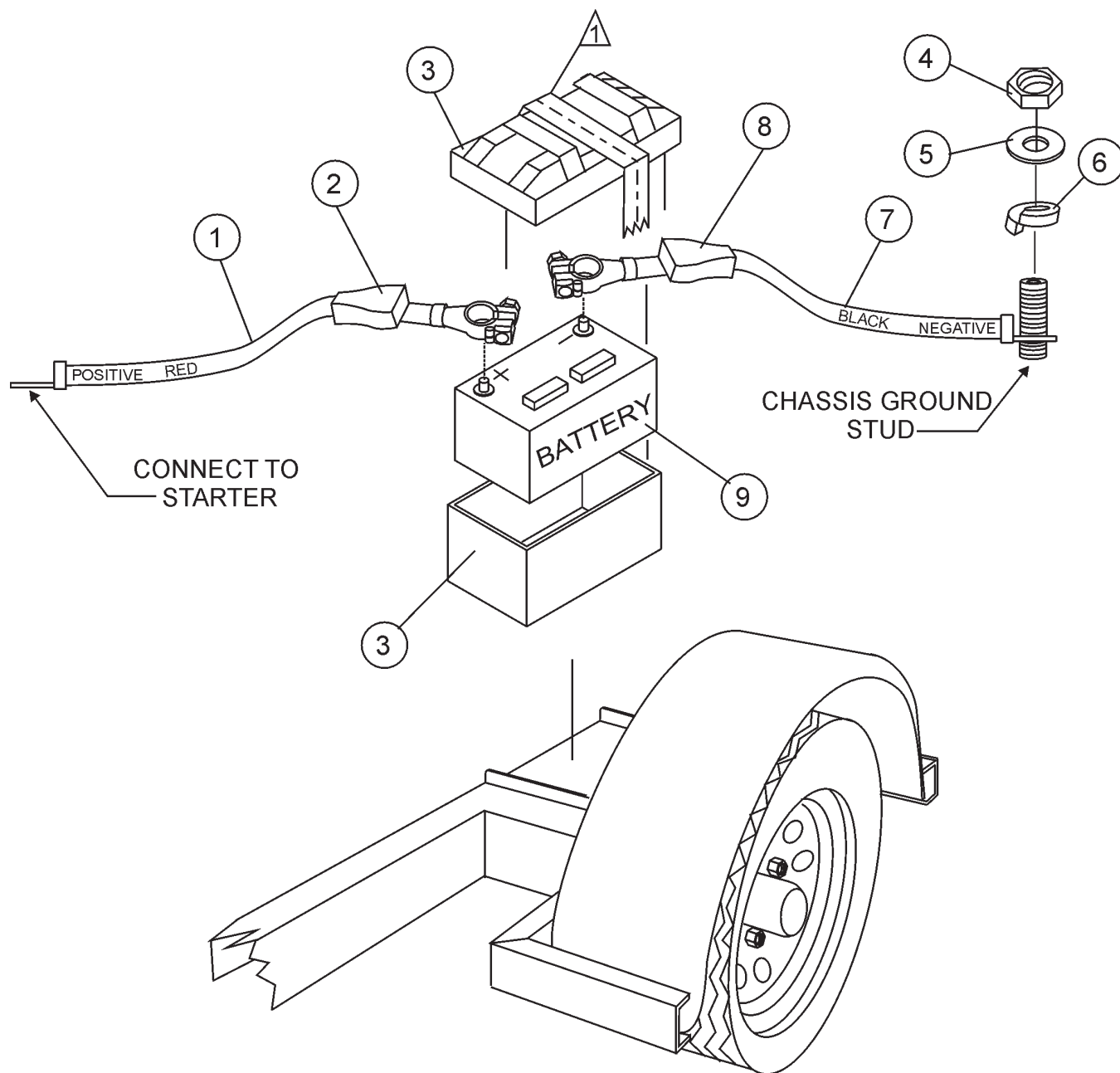
C-30HDG PUMP — CONTROL BOX ASSY.

CONTROL BOX ASSY.

<u>NO.</u>	<u>PART NO.</u>	<u>PART NAME</u>	<u>QTY.</u>	<u>REMARKS</u>
1	EM517174	FRONT PANEL OVERLAY	1	
3	EM98036	SWITCH, THROTTLE CONTROL	1	
6	EM517176	RED PILOT LIGHT W/BULB	1	
8	10958	IGNITION SWITCH	1	
8A	EM508239	CONNECTOR, PLASTIC	1	
9	11078	IGNITION SWITCH KEY	1	
10	EM40711	SWITCH, PUMPING CONTROL	1	
11	EM517184	CONTROL BOX	1	
12	EM26789	RECEPTACLE (REMOTE)	1	
13	EM18706	HOURLMETER	1	
14	492356	BOLT, HEX 1/4 IN. x 3/4 IN.	5	
15	EM515466	SUPPORT, ZENITH CONTROL PANEL	1	
16	492596	WASHER, FLAT 1/4 IN.	5	
17	492581	NUT, HEX 1/4 IN.	5	
18	EM508451	NUT, LOCK 1/4 IN.	6	
19	EM515455	SIDE SUPPORT, ZENITH CONTROL PANEL	1	
20	EM513110	BUSHING, 1/4- 20 RUBBER MUFFLER	3	
21	EM517177	EMERGENCY STOP BUTTON	1	
22	EM517175A	AMBER PILOT LIGHT W/BULB	1	
23	EM517186	CONTACT BLOCK, EMERGENCY SWITCH	1	

C-30HDG PUMP — BATTERY ASSY.

BATTERY ASSY.



NOTES:

- ⚠ BATTERY HOLD-DOWN STRAP IS INCLUDED WITH ITEM 3, P/N 34506

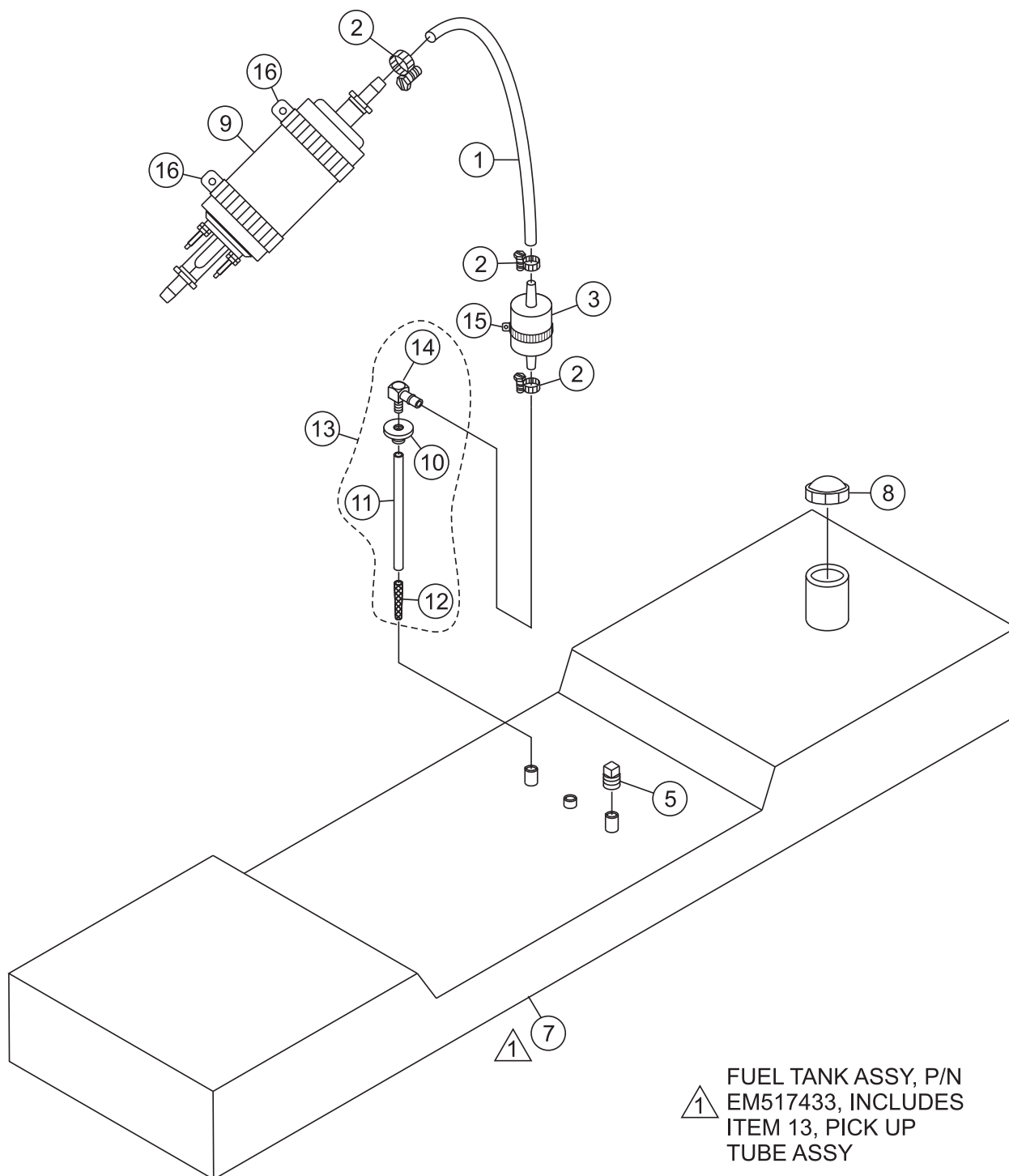
C-30HDG PUMP — BATTERY ASSY.

BATTERY ASSY.

<u>NO.</u>	<u>PART NO.</u>	<u>PART NAME</u>	<u>QTY.</u>	<u>REMARKS</u>
1	EM515122	CABLE, POSITIVE BATTERY	1	
2	EM506266	COVER, POSITIVE TERMINAL	1	
3	10318	BOX, BATTERY	1	
4	EM492541	NUT, HEX 5/16- 18	1	
5	EM923023	WASHER, FLAT 5/16	1	
6	EM923343	WASHER, LOCK 5/16	1	
7	EM515113	CABLE, NEGATIVE BATTERY	1	
8	EM505624	COVER, NEGATIVE TERMINAL	1	
9	EM491344	BATTERY, 12 VOLT	1	

C-30HDG PUMP — FUEL TANK ASSY.

FUEL TANK ASSY.



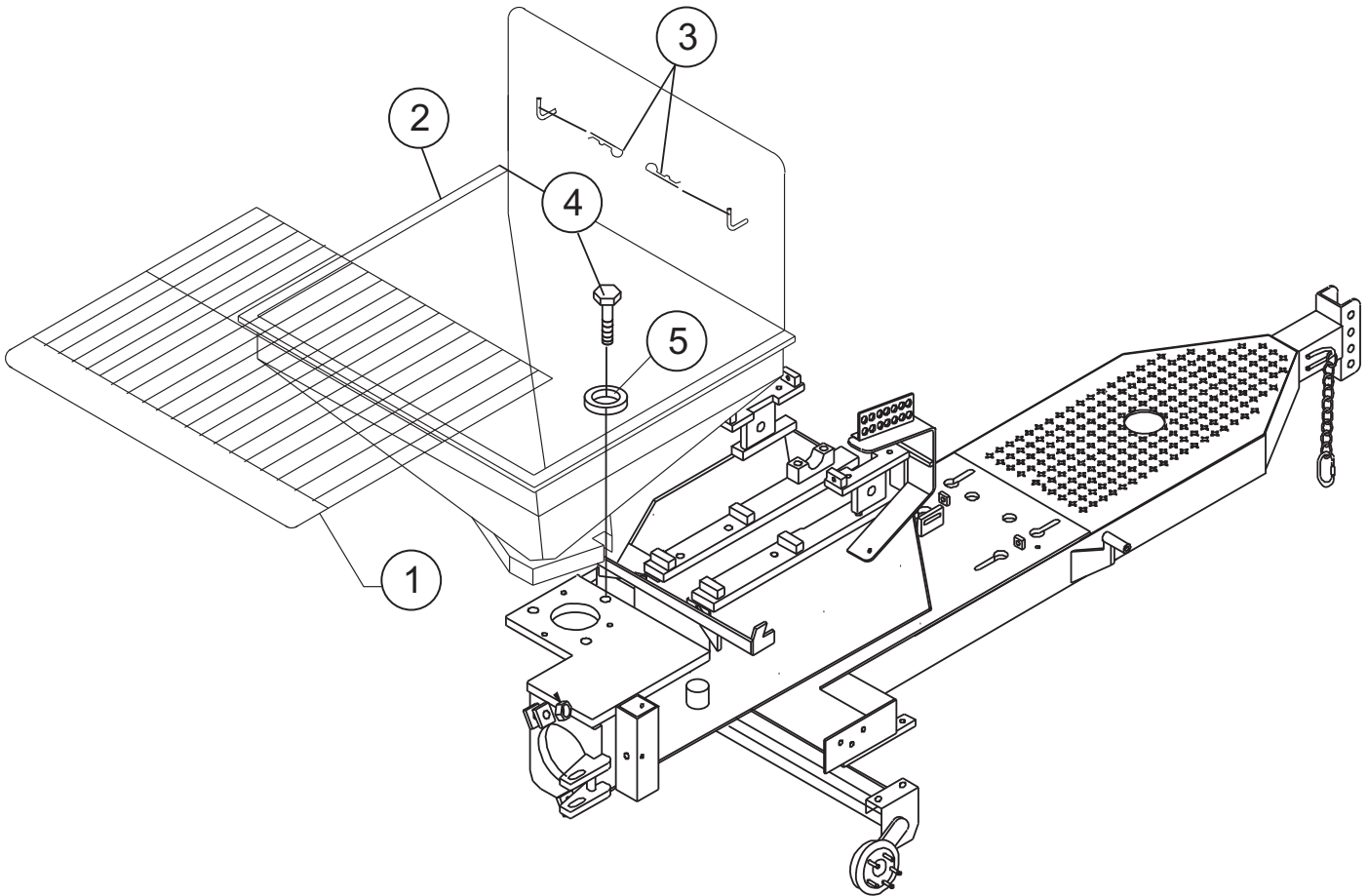
C-30HDG PUMP — FUEL TANK ASSY.

FUEL TANK ASSY.

<u>NO.</u>	<u>PART NO.</u>	<u>PART NAME</u>	<u>QTY.</u>	<u>REMARKS</u>
1	EM517206	HOSE, FUEL 5/16 IN.	18"	
2	EM506208	CLAMP, HOSE	1	
3	ZPPC6304	FILTER, FUEL	1	
5	EM491210	PLUG, 1/4 IN.	1	
7	EM517433	FUEL TANK ASSY, STEEL	1	INCLUDES ITEM 13
8	EM517502	FUEL CAP	1	
9	ZPP62027	PUMP, FUEL	1	
10#	19633	BUSHING	1	
11#	60058	HOSE, 4-1/2"	1	
12#	12009	SCREEN	1	
13	EM516533	PICK UP TUBE ASSY	1	INCLUDES ITEMS W/#
14#	EM516568	FITTING	1	
15		CLAMP, FUEL FILTER, #34 2-1/2" ID	1	INCLUDED W/FUEL PUMP
16		CLAMP, FUEL PUMP, #26 1-5/8" ID	2	INCLUDED W/FUEL PUMP

C-30HDG PUMP — HOPPER ASSY.

HOPPER ASSY.



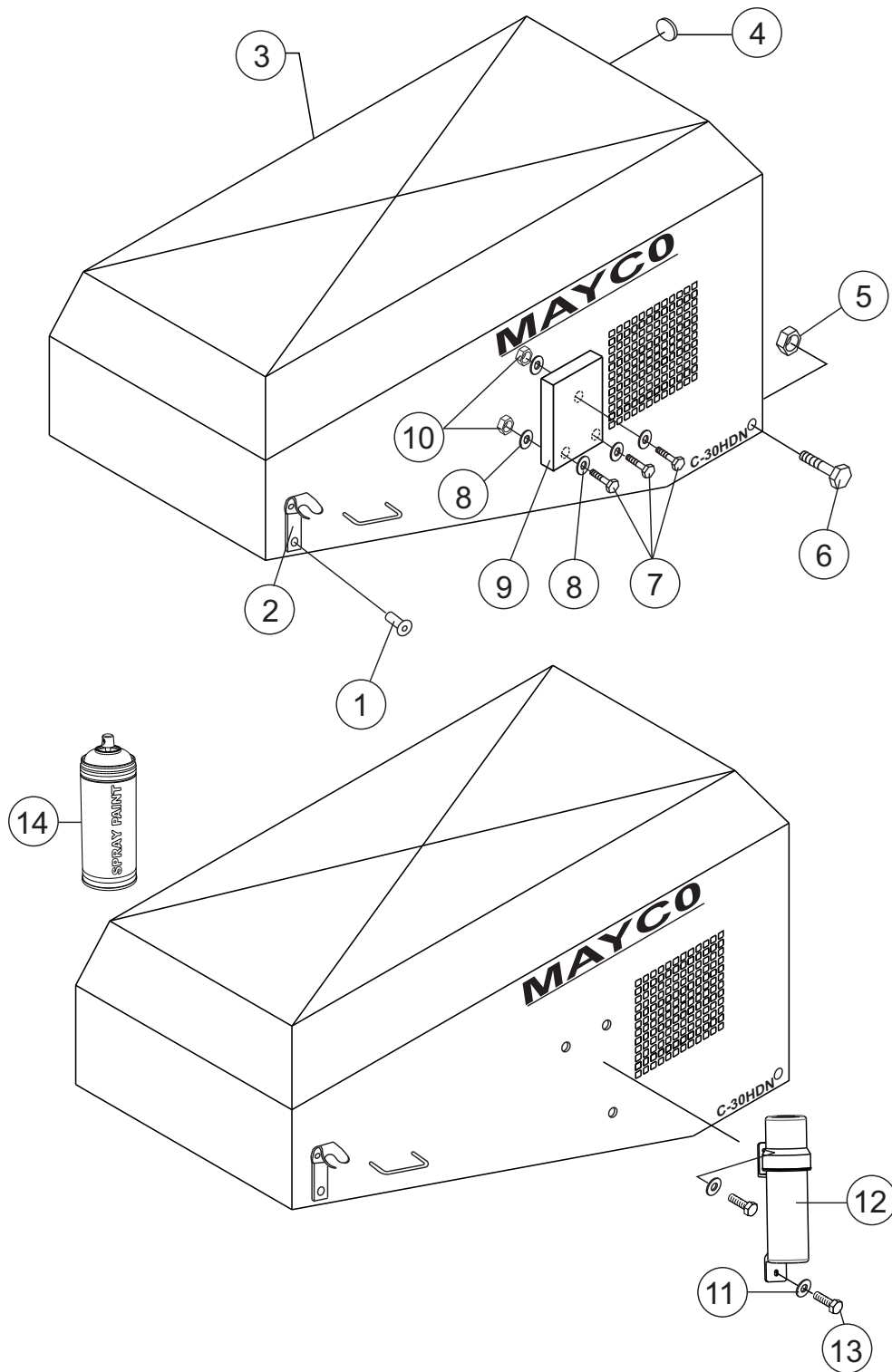
C-30HDG PUMP — HOPPER ASSY.

HOPPER ASSY.

<u>NO.</u>	<u>PART NO.</u>	<u>PART NAME</u>	<u>QTY.</u>	<u>REMARKS</u>
1	EM14159	HOPPER SCREEN	1	
2	EM14141	HOPPER	1	
3	EM925191	PIN, HAIR	2	
4	EM104	BOLT, 5/8"-11X2" HEX HEAD	3	
5	EM507599	WASHER 5/8" FLAT	3	

C-30HDG PUMP — HOOD ASSY.

HOOD ASSY.



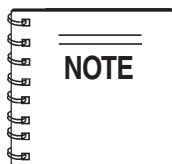
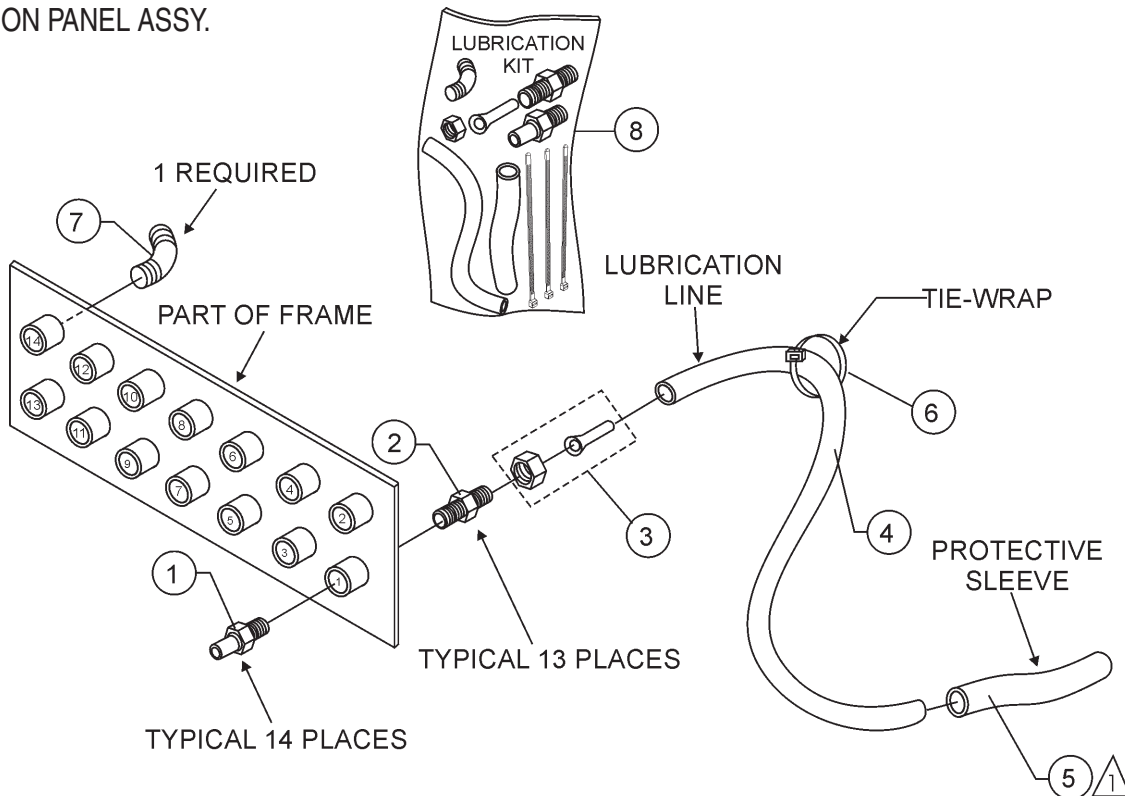
C-30HDG PUMP — HOOD ASSY.

HOOD ASSY.

<u>NO.</u>	<u>PART NO.</u>	<u>PART NAME</u>	<u>QTY.</u>	<u>REMARKS</u>
1	503723	RIVET	4	
2	491010	LATCH KIT, RUBBER	2	BEFORE MARCH 2009
2	EM517295	LATCH KIT, STEEL	2	FROM MARCH 2009
3	EM517020RL	HOOD ASSY., RUBBER LATCH	1	BEFORE MARCH 2009
3	EM517020	HOOD ASSY., STEEL LATCH	1	FROM MARCH 2009
4	490937	BUMPER, RUBBER	2	
5	EM406	NUT 1/2"-13 HEAVY HEX	2	
6	EM124	BOLT 1/2" DIA-NC X4" G5	2	
7	EM963003	SCREW, HHC 1/4-20 X 3/4	3	
8	EM923057	WASHER	3	
9	29057	MANUAL HOLDER	1	BEFORE MARCH 2009
10	EM969079	NUT LOC NYLON 1/4	3	
11	492596	WASHER, FLAT 1/4"	3	
12	23297	MANUAL HOLDER	1	FROM MARCH 2009
13	EM963003	SCREW, HHC 1/4-20 X 3/4	3	
14	RAL1003S	PAINT, SPRAY CAN 12 OZ. (YELLOW)	AR	

C-30HDG PUMP — LUBRICATION PANEL ASSY.

LUBRICATION PANEL ASSY.



Grease **daily**, two to three shots of #2 multi-purpose automotive grease. Over-greasing any bearing will not damage the machine.

NOTES:
 ⚠ PLACE PROTECTIVE SLEEVE OVER LUBRICATION LINES 1 THROUGH 6.

<u>POSITION</u>	<u>LOCATION</u>	<u>LENGTH OF LINES</u>
1	COMPENSATOR ROD	28"
2	COMPENSATOR ROD	31"
3	COMPENSATOR ROD	28"
4	LOWER ROCKER ARM COMPENSATOR ROD	34"
5	LOWER CONNECTING ROD- DRIVE SIDE	10"
6	LOWER ROCKER ARM - DRIVE SIDE	15"
7	UPPER ROCKER ARM - COMPENSATOR SIDE	28"
8	UPPER ROCKER ARM - DRIVE SIDE	26"
9	COUNTER SHAFT BEARING - SPROCKET SIDE	20"
10	COUNTER SHAFT - PULLEY SIDE	20"
11	UPPER CONNECTING ROD - DRIVE SIDE	40"
12	CRANKSHAFT BEARING BLOCK	42"
13	CAM BEARING	42"
14	CRANKSHAFT BEARING FLANGE	20"
	TOTAL LENGTH OF LINES REQUIRED	384"

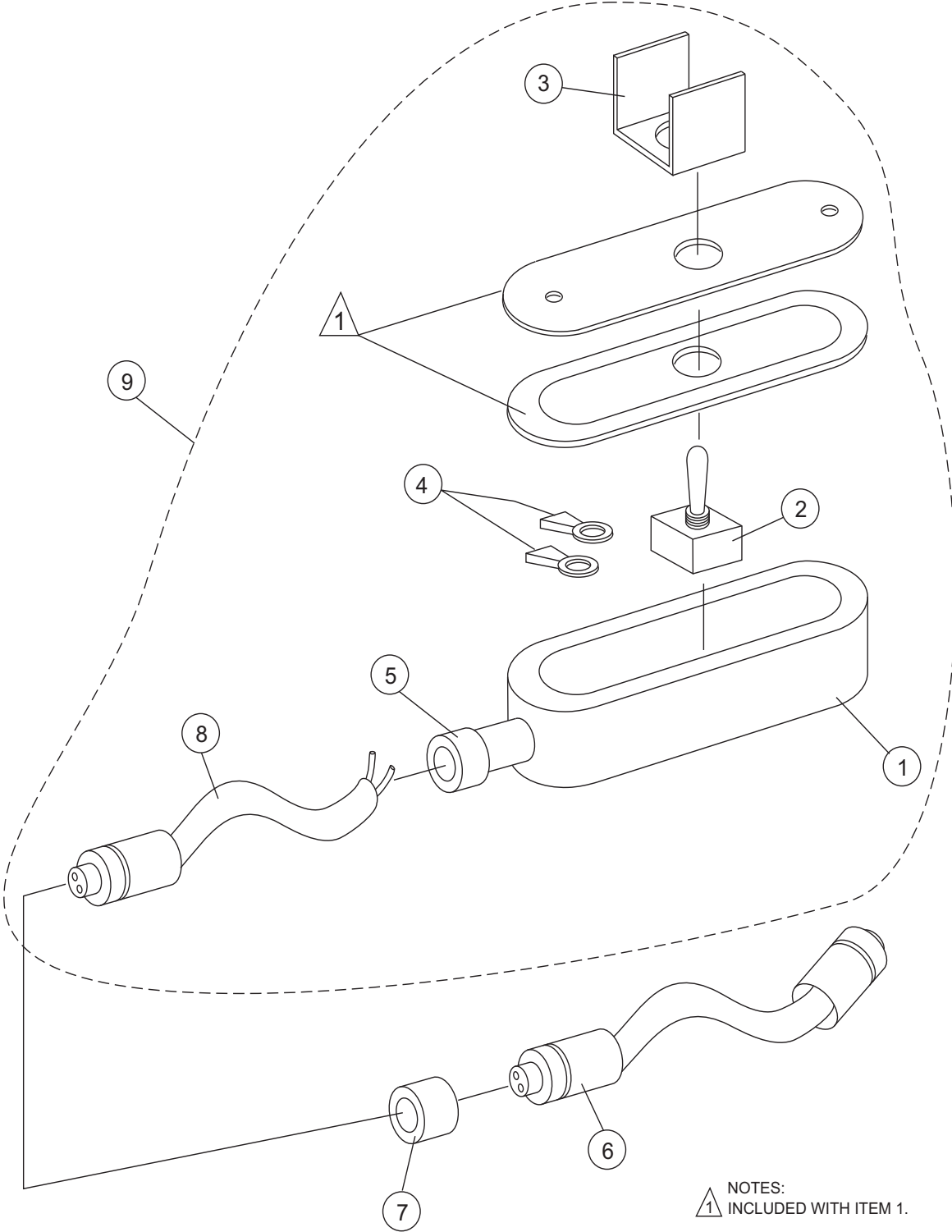
C-30HDG PUMP — LUBRICATION PANEL ASSY.

LUBRICATION PANEL ASSY.

<u>NO.</u>	<u>PART NO.</u>	<u>PART NAME</u>	<u>QTY.</u>	<u>REMARKS</u>
1*	EM916001	FITTING, GREASE 1/8" NPT	14	
2*	EM505489	STRAIGHT FITTING 1/8" NPT	13	
3*	505534	COUPLING W/NUT 1/8" NPT	14	
4*	EM505516	PLASTIC HOSE LINE 1/4" DIA. AR		1FT=1PC
5*	EM490531	PROTECTIVE SLEEVE 3/8" (HOSE)	AR	1FT=1PC
6*	EM491028	TIE-WRAP 2.5 x 95 MM	AR	
7*	EM505490	ADAPTER, 90 DEGREE ELBOW	1	
8	EM512659	KIT, LUBRICATION	1	INCLUDES ITEMS W/*

C-30HDG PUMP — REMOTE CONTROL CABLE ASSY.

REMOTE CONTROL CABLE ASSY.



C-30HDG PUMP — REMOTE CONTROL CABLE ASSY.

REMOTE CONTROL CABLE ASSY.

<u>NO.</u>	<u>PART NO.</u>	<u>PART NAME</u>	<u>QTY.</u>	<u>REMARKS</u>
1*	EM16753	JUNCTION BOX	1	
2*	EM16754	SWITCH, MICRO	1	
3*	EM16756	GUARD SWITCH - ALUMINUM	1	
4*	EM491897	CONNECTOR, 3/16 RING	2	
5*	EM26791	GRIP CORD SEAL	1	
6	EM26792	ADAPTER CORD 100 FT.	1	
7	EM26793	ADAPTER CORD GRIP 1/2"	1	
8*	EM26790	CORD 25' MXPE	1	
9	EM26788	REMOTE WITH 25' CORD ONLY	1	INCLUDES ITEMS W/ *