

PARTS MANUAL



**MODEL AR13HA/AR13HAR
RIDE-ON TANDEM DRUM ROLLER
SERIES DRIVE SYSTEM
(HONDA GX610K1QZB2/GX610R1QZB2
GASOLINE ENGINES)
S/N 100901 AND BELOW**

Revision #10 (06/25/21)



THIS MANUAL MUST ACCOMPANY THE EQUIPMENT AT ALL TIMES.

Multiquip AR13HA/HAR Ride-On Tandem Drum Roller

Table Of Contents	2
Explanation Of Code In Remarks Column.....	4
Suggested Spare Parts	5

Roller Component Drawings

Nameplate And Decals Assembly.....	6-7
Front Drum Assembly	8-9
Exciter Assembly	10-11
Rear Drum And Chassis Assembly	12-13
Covers And Frame Articulation Lock Assy.....	14-15
Hood And Rear Panel Assembly	16-17
Steering Column And Hyd. Articulation Assy....	18-19
Articulation Arm Assembly	20-21
Hydraulic Drive Pump Assembly	22-23
Manifold And Hydraulic Oil Filter Assembly.....	24-25
Fuel Tank Assembly.....	26-27
Water Tank Assembly	28-29
Muffler Assembly	30-31
Air Cleaner Assembly	32-33
Throttle Assembly	34-35
Brake Control Assembly	36-37
Battery Assembly.....	38-39
Scraper Assembly	40-41
Engine Service Parts Assembly	42-43

SUGGESTED SPARE PARTS

AR13HA/HAR RIDE-ON TANDEM DRUM ROLLER W/HONDA GX610K1QZB2/GX610R1QZB2 GASOLINE ENGINES

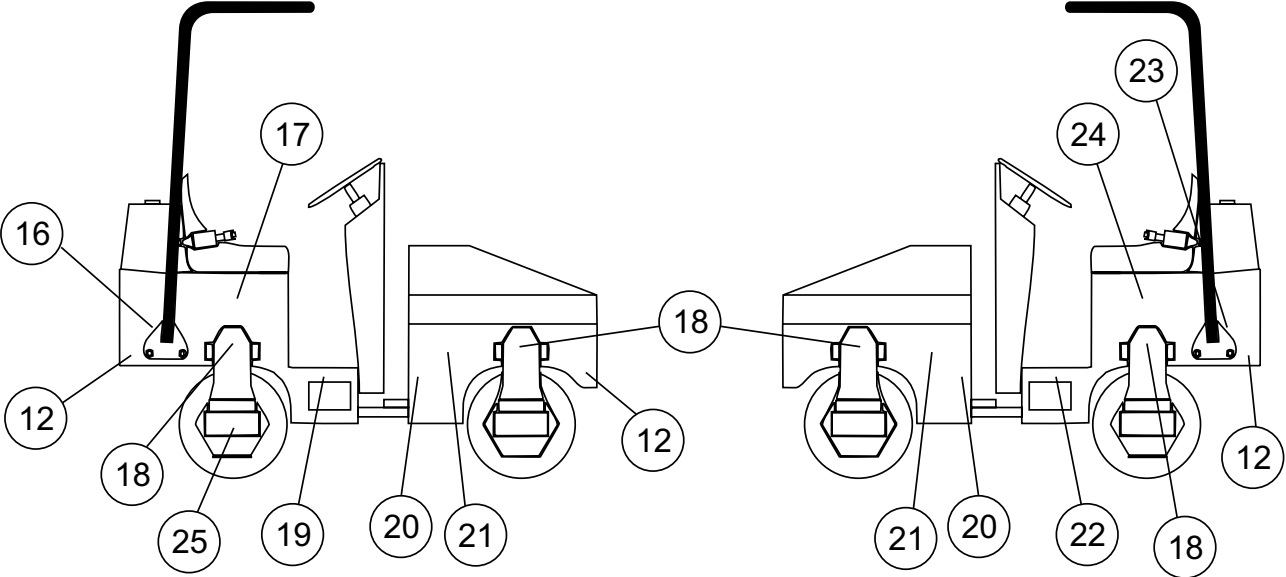
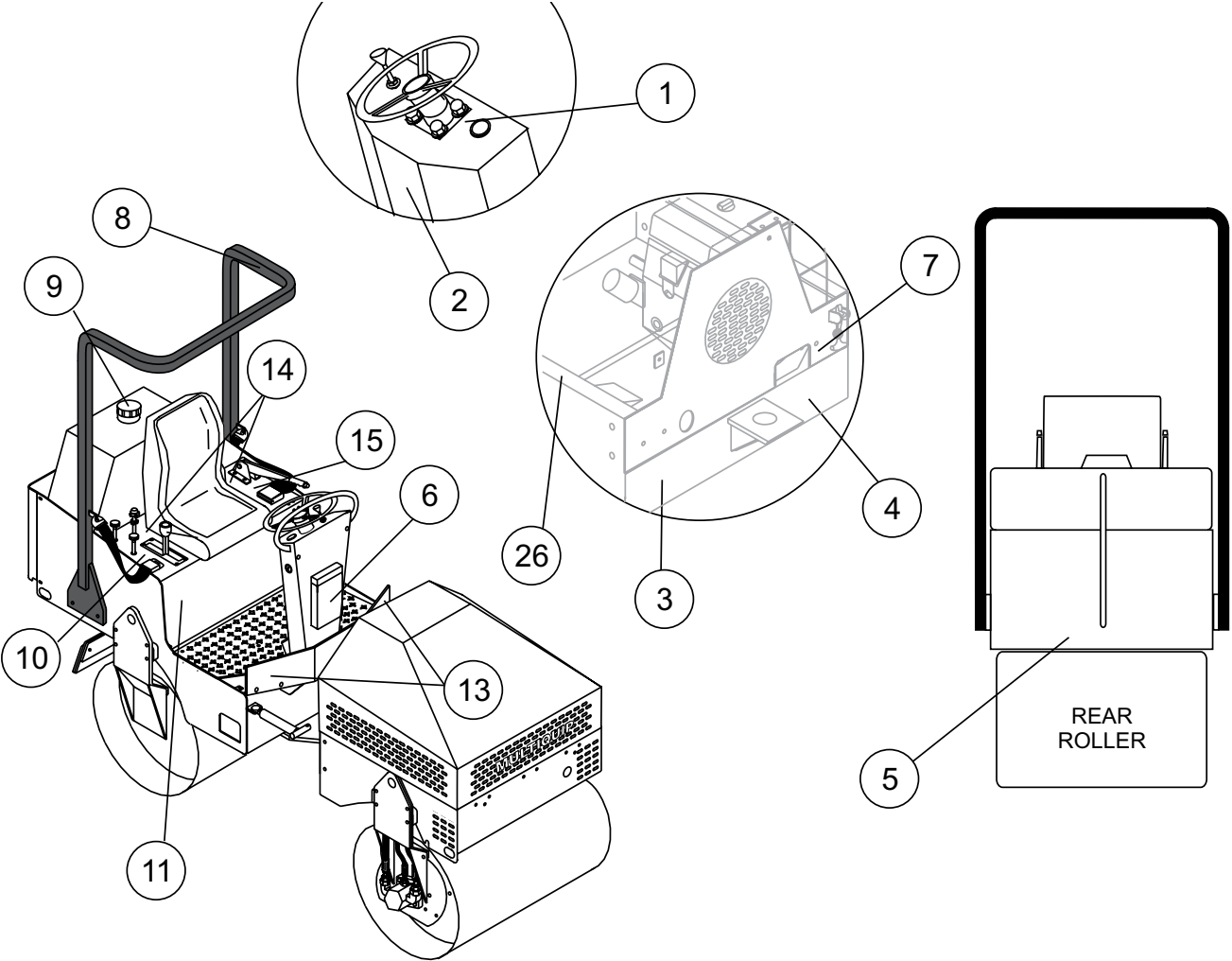
1 to 3 units

Qty.	P/N	Description
1	510229	CABLE, THROTTLE
1	506239	CABLE, CHOKE
1	513324	CABLE, FWD./REV.
1	10958	SWITCH, STARTER
3	506267K	KEY, STARTER SWITCH
6	508667	OIL FILTER, HYDRAULIC
1	507278	CAP, HYDRAULIC TANK
1	506221	FILTER, GAS TANK
6	EM20763	FILTER, FUEL
1	34507	GAUGE, FUEL CAP
1	509249	CAP, WATER TANK
4	508433	SCRAPER, RUBBER
3	17210ZJ1842	ELEMENT, AIR CLEANER
1	17218ZJ1840	FILTER, OUTER, AIR CLEANER
6	15410ZJ4999AH	FILTER, OIL
6	9807956846	SPARK PLUG
3	16910ZE8015	FILTER, FUEL ENGINE

NOTICE

Part numbers on this Suggested Spare Parts list may supersede/replace the part numbers shown in the following parts lists.

NAMEPLATE AND DECALS ASSY.



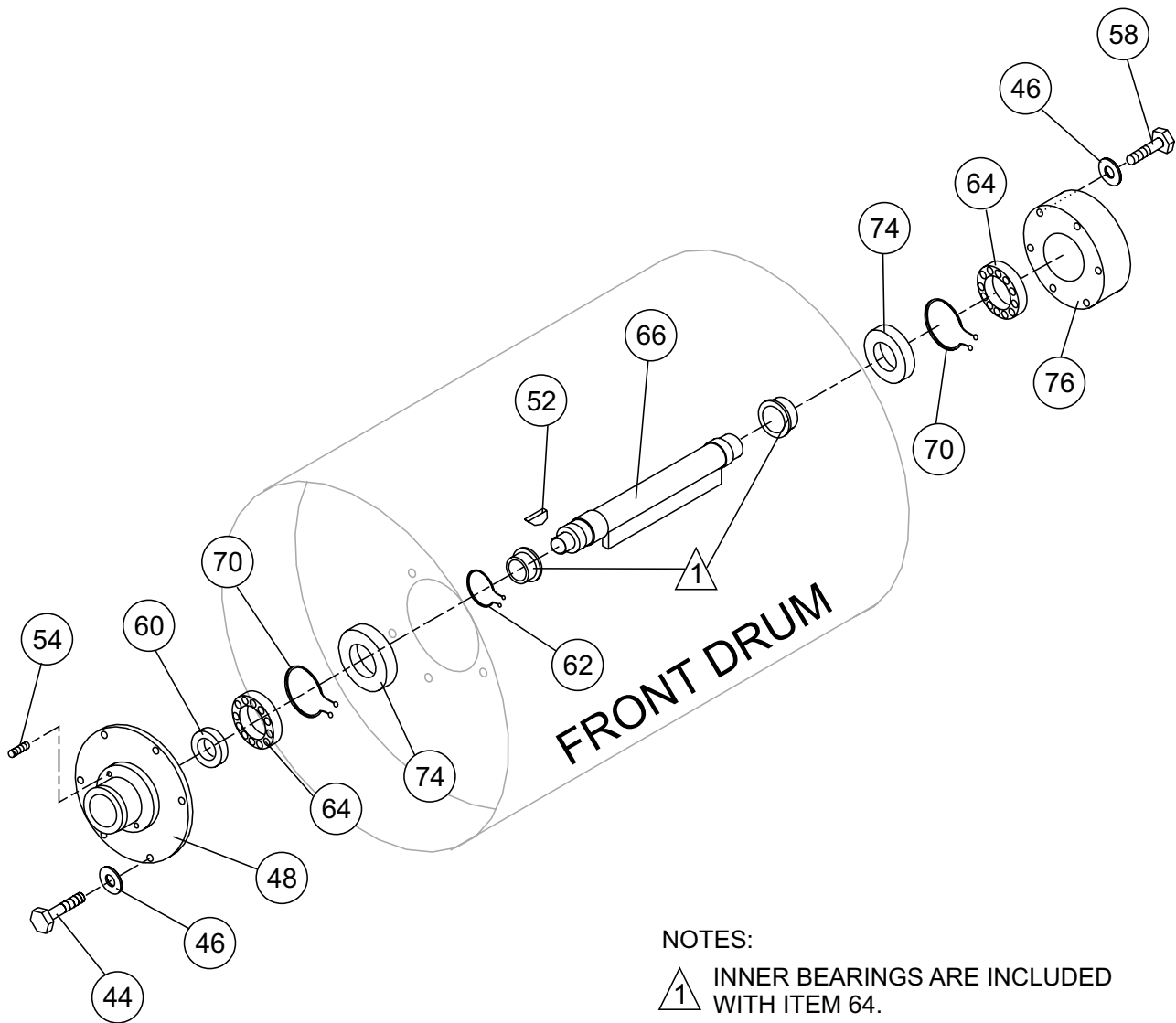
NAMEPLATE AND DECALS ASSY.

<u>NO.</u>	<u>PART NO.</u>	<u>PART NAME</u>	<u>QTY.</u>	<u>REMARKS</u>
1	513457	DECAL: STEERING CONSOLE	1	
2	13118	DECAL: POWDER COATED	1	
3	511726	DECAL: HYDRAULIC OIL LEVEL INDICATOR	1	
4	511736	DECAL: WARNING	1	
5	TBD	DECAL: MULTQUIP BANNER	1	
6	34536	DECAL: OWNERS MANUAL	1	
7	513580	DECAL: ENGINE RPM SETTING	1	
9	513698	DECAL: WATER TANK CAP	1	
10	515436	DECAL: CONTROL PANEL	1	
11	511737	DECAL: SERVICE INSTRUCTION CHART	1	
12	513393	DECAL: SECURING POINT INDICATOR.....	3.....	POINT ARROW DOWN
13	511735	DECAL: CAUTION	2	
14	513707	DECAL: ATTENTION	2	
15	513467	DECAL: PARKING BRAKE INSTRUCTIONS	1	
16	513529	DECAL: AR-13H MQ LOGO	1	
17	511738	DECAL: DANGER	1	
18	513393	DECAL: SECURING POINT INDICATOR.....	4.....	POINT ARROW UP
19	513469	DECAL: CAUTION STRIPE PATTERN	1.....	HORIZONTAL PLACEMENT
20	511718	DECAL: CAUTION STRIPE PATTERN	2.....	VERTICAL PLACEMENT
21	513688	DECAL: MQ LOGO	2	
22	513740	DECAL: CAUTION STRIPE PATTERN	1.....	HORIZONTAL PLACEMENT
23	513531	DECAL: AR-13H MQ LOGO	1	
24	511739	DECAL: CAUTION: INSTRUCTIONS	1	
25	511724	DECAL: GREASE REMINDER	1	
26	511733	DECAL: HYDRAULIC OIL INDICATOR	1	

FRONT DRUM ASSY.

<u>NO.</u>	<u>PART NO.</u>	<u>PART NAME</u>	<u>QTY.</u>	<u>REMARKS</u>
2	513280	FRONT ROLLER	1	
4	506145	HOUSING BEARING	1	
6	506147	BEARING	1	
8	506136	RING, RETAINING	1	
10	508665	COUPLER	1	
12	506142	MOUNT, VIBRATION MOTOR	1	
14	011208025	BOLT, 8X25T.....	6.....	REPLACES P/N 508342
16	EM923023	WASHER, FLAT 5/16".....	6.....	REPLACES P/N 492597
18	492264	BOLT, 3/8"X1"	6	
20	506141	SHOCK, MOUNT	3	
22	508340	STUD, M8X40	6	
24	EM923343	WASHER, LOCK 5/16".....	6.....	REPLACES P/N492623
26	020108060	NUT, M8.....	6.....	REPLACES P/N 508341
28	514522	ROLLER, SUPPORT.....	1.....	RIGHT SIDE — FRONT
30	492276	BOLT 1/2"X1-1/2"	8	
32	513283	HOSE, PROTECTION COVER	1	
34	513314	NUT 1/4"X3/4"	12	
36	506220	MOTOR, HYDRAULIC	1	
40	492362	NUT 5/16"X5/8"	4	
41	EM923343	WASHER, LOCK 5/16".....	4.....	REPLACES P/N 492623
43	513337	HOSE	1	
45	513343	HOSE	1	
47	513342	HOSE	1	
78	EM963610	CAP SCREW 3/8" NC X 1-1/4" G8.....	6.....	REPLACES P/N 492375
80	3019092	WASHER, FLAT 3/8".....	6.....	REPLACES P/N 508346
82	505985	SHOCK, MOUNT	6	
84	021110120	NUT, NYLON LOCK M10 ZINC 1.SP	6	
86	505977	PLATE, DRIVER	1	
88	505984	HUB	1	
90	EM503803	PINS, DOWEL.....	2.....	REPLACES P/N 503803
92	515637	SUPPORT, ROLLER.....	1.....	LEFT SIDE - FRONT/REAR
94	EM924006	KEY, COTTER 1/8" X 2".....	1.....	REPLACES P/N 491690
96	515396	MOTOR, HYDRAULIC	1	
98	505990	BOLT 1/2"X2-1/2"	4	
100	515639	COVER	1	
124	505951	FITTING	2	
126	513332	FITTING	2	
128	515641	HOSE	1	
130	513344	HOSE	1	

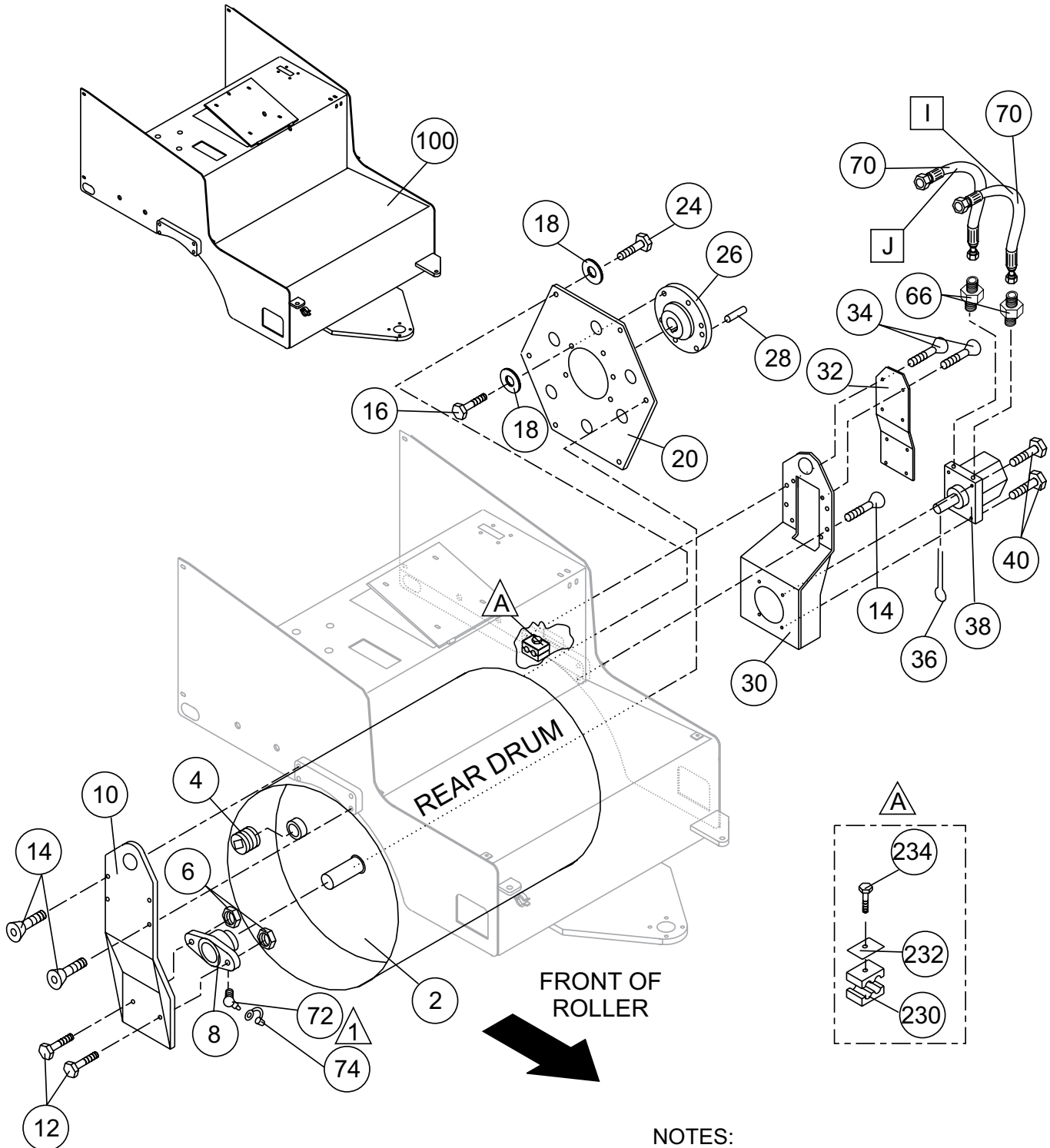
EXCITER ASSY.



EXCITER ASSY.

<u>NO.</u>	<u>PART NO.</u>	<u>PART NAME</u>	<u>QTY.</u>	<u>REMARKS</u>
44	EM963610	CAP SCREW, 3/8"NC X 1-1/4" G8	6.....	REPLACES P/N 492375
46	3019092	WASHER, FLAT 3/8"	12.....	REPLACES P/N 508346
48	513285	HOUSING, BEARING RIGHT	1	
52	EM927040	KEY, WOODRUFF 606	1.....	REPLACES P/N 506250
54	492467	SCREW, ALLEN 5/16"	2	
58	EM963610	CAP SCREW, 3/8"NC X 1-1/4" G8	6.....	REPLACES P/N 492375
60	506144	SEAL	1	
62	490964	RING, RETAINING	1	
64	506131	BEARING	2	
66	513418	EXCITER SHAFT	1	
70	506135	RING, RETAINING	2	
74	513286	OIL SEAL 65X100X9	2	
76	513287	HOUSING, BEARING LEFT	1	

REAR DRUM AND CHASSIS ASSY.



NOTES:

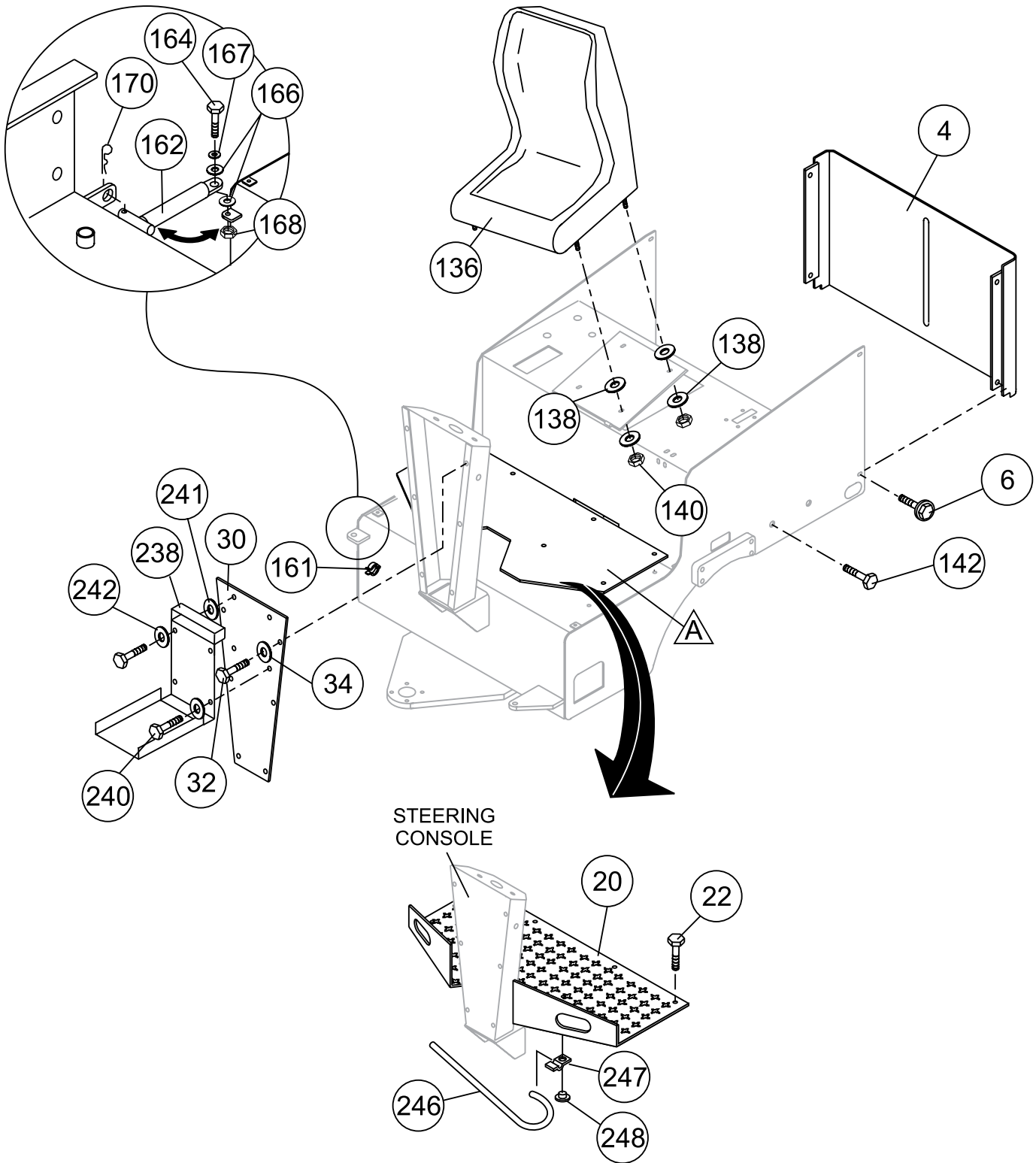
I J SEE HYDRAULIC HOSE CONNECTIONS IN OPERATION MANUAL

1 ITEMS 72 AND 74 ARE INCLUDED WITH ITEM 8 (BEARING, FLANGE) AND CANNOT BE SOLD SEPARATELY.

REAR DRUM AND CHASSIS ASSY.

<u>NO.</u>	<u>PART NO.</u>	<u>PART NAME</u>	<u>QTY.</u>	<u>REMARKS</u>
2	513291	REAR DRUM	1	
4	505988	ALLEN PLUG	1	
6	492584	NUT, LOCK 1/2"	1	
8	503735	BEARING, FLANGE	1	INCLUDES ITEMS W/\$
10	514523	SUPPORT, ROLLER.....	1	RIGHT SIDE - REAR
12	509165	BOLT, 1/2NC X 2-1/4" G5	1	
14	492276	BOLT, 1/2NC X 1-1/2" G5	8	
16	EM963610	CAP SCREW, 3/8"NC X 1-1/4" G5	6	
18	508346	WASHER, LOCK 3/8"	6	
20	505977	PLATE DRIVE	1	
24	EM963610	CAP SCREW, 3/8"NC X 1-1/4" G8	6	REPLACES P/N 492375
26	505984	HUB	1	
28	EM503803	PINS, DOWEL 3/8 X 1"	2	
30	515637	REAR ROLLER SUPPORT, LEFT	1	LEFT SIDE - FRONT/REAR
32	515639	SUPPORT COVER	1	
34	513314	BOLT, 1/4 NC X 1/2" G	12	
36	491689	KEY, COTTER 1/8 X 2"	1	
38	515396	MOTOR, HYDRAULIC	1	
40	505990	BOLT, 1/2 NC X 2-1/2" G	4	
66	505951	FITTING, 8-10-F5OLO-S	2	
70	513349	HOSE	2	
72\$		ZERK GREASE FITTING	1	CANNOT BE SOLD SEPARATELY
74\$		ZERK CAP	1	CANNOT BE SOLD SEPARATELY
100	513266	REAR CHASSIS	1	

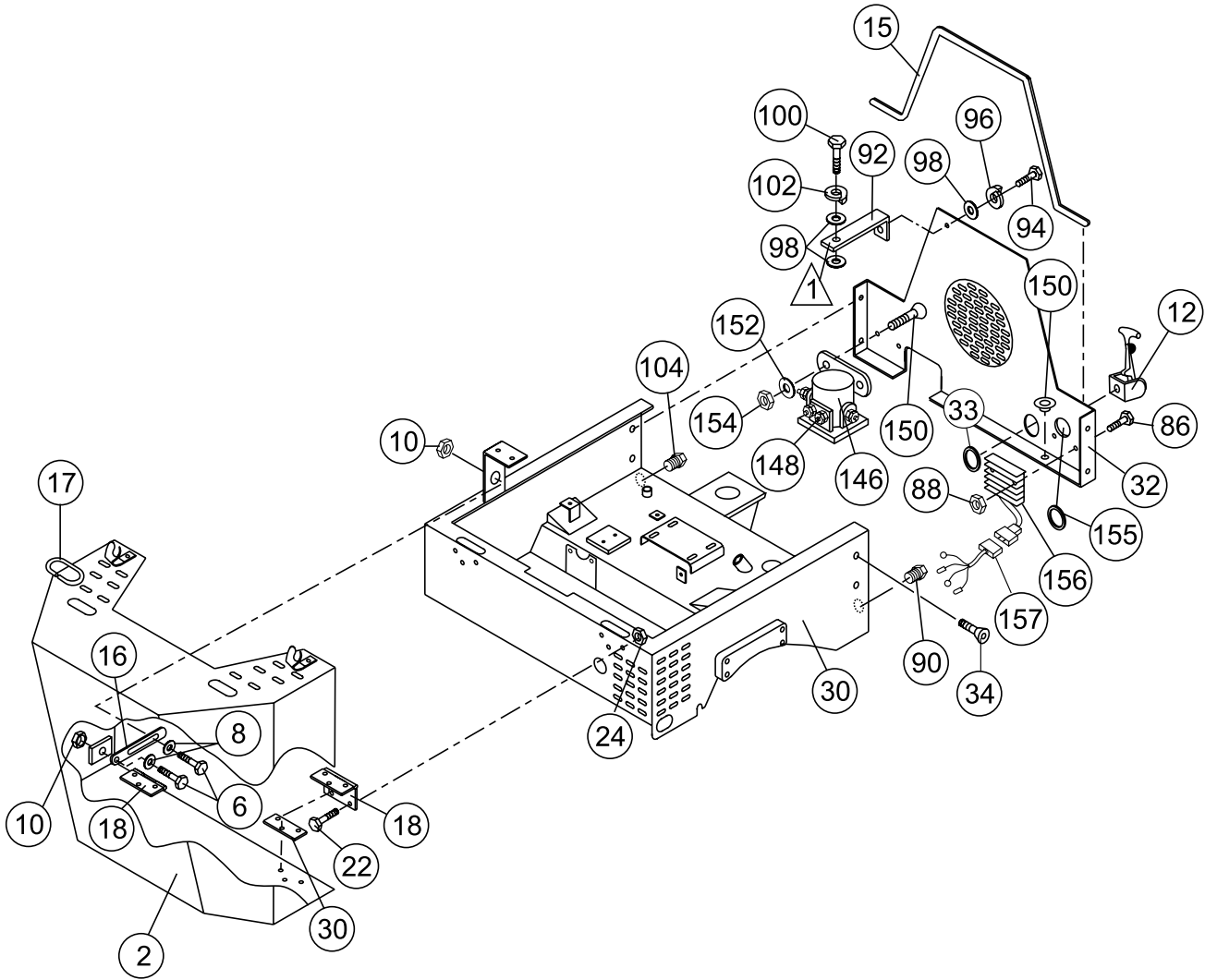
COVERS AND FRAME ARTICULATION LOCK ASSY.



COVERS AND FRAME ARTICULATION LOCK ASSY.

<u>NO.</u>	<u>PART NO.</u>	<u>PART NAME</u>	<u>QTY.</u>	<u>REMARKS</u>
4	513315	REAR WATER TANK COVER	1	
6	509177	BOLT 5/16"	4	
20	515416	FLOOR PLATE W/ALUMINUM COVER	1	
22	509177	BOLT 5/16" X 5/8"	10	
32	492363	BOLT 5/16" X 3/4"NC G5	6	
34	EM923343	WASHER, LOCK 5/16"	6.....	REPLACES P/N 492623
136	507888	SEAT	1	
138	505679	NUT 5/16"	8	
140	2105164	NUT, NYLON 5/16"-18	4.....	REPLACES P/N 492582
161	513471	LOCK CLIP	4	
162	513328	LOCKING ARM	1	
164	492410	BOLT 5/8"NC X 2-1/2" G5	1	
166	506167	WASHER, PLASTIC 5/8"	2	
167	EM923023	WASHER, FLAT 5/16"	1.....	REPLACES P/N 506109
168	EM969023	NUT, LOCK 5/8"	1.....	REPLACES P/N 492586
170	745	LOCK PIN	1	
238	29057	DOCUMENT BOX	1	
240	492357	SCREW, HHC 1/4"-20X12	4	
241	504451	WASHER, 1/4"	4	
242	492596	WASHER, 1/4"	8	
243	509177	BOLT 5/16"NC X 5/8" G5	2	
244	515416	ALUMINUM FLOOR COVER	1	
246	515415	ARM, FLOOR COVER	1	
247	511474	BRACKET, ARM	1	
248	503723	RIVET, AM-54	1	

HOOD AND REAR PANEL ASSY.



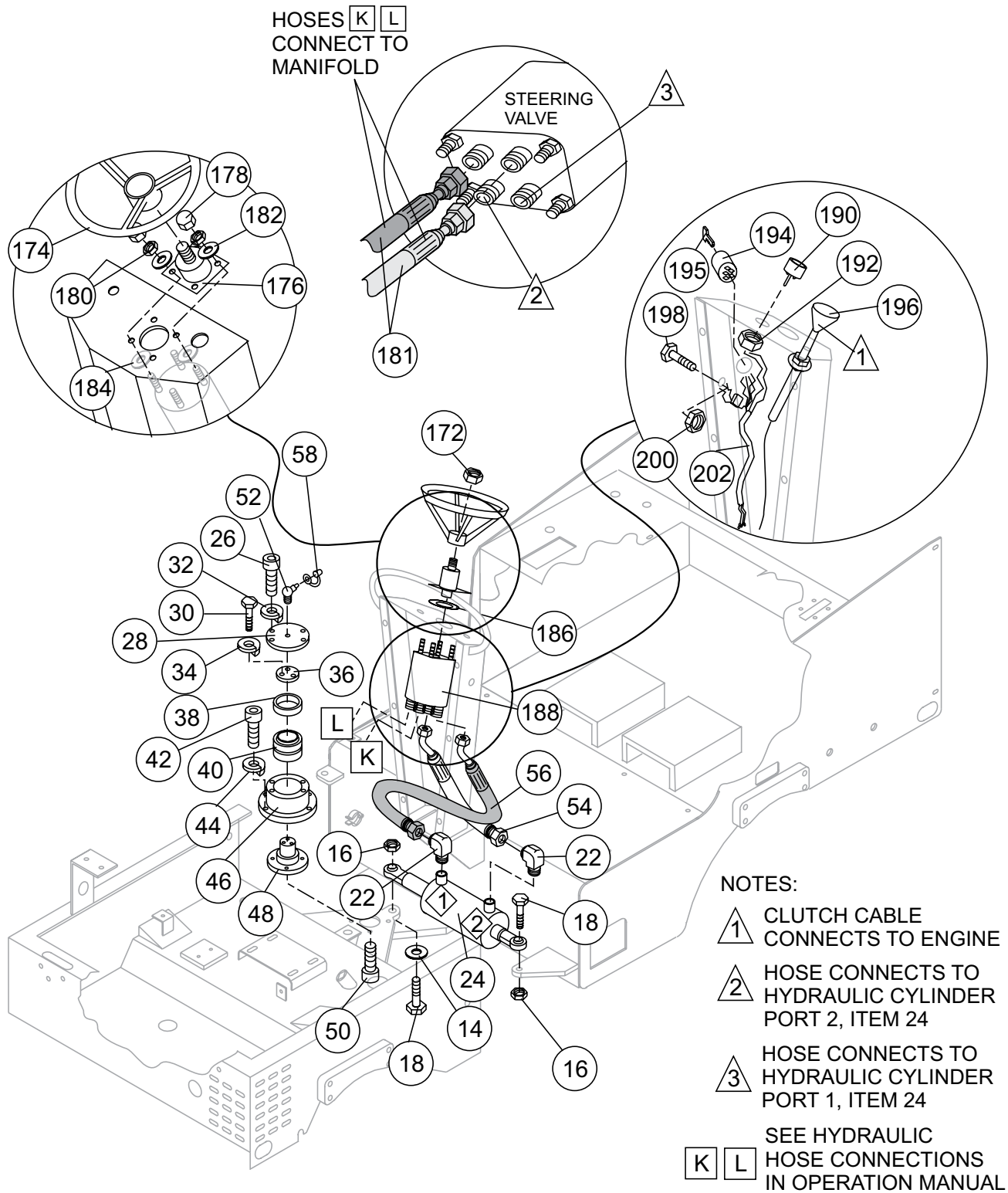
NOTES:

▲ 1 SECURE TO ENGINE

HOOD AND REAR PANEL ASSY.

<u>NO.</u>	<u>PART NO.</u>	<u>PART NAME</u>	<u>QTY.</u>	<u>REMARKS</u>
2	515096	HOOD	1	
6	492364	SCREW, HHC 5/16"X18X1"	2	
8	505679	WASHER, FLAT 5/16"	2	
10	2105164	NUT, NYLON 5/16-18	2	REPLACES P/N 492582
12	491010	LATCH KIT	2	REPLACES P/N 504744
13	503723	RIVET BRAKE LINING	13	
15	515199	SEAL RUBBER	1	
16	513305	HINGE, SLOTTED	1	
18	514438	LATCH KIT (HOOD)	1	
22	492356	BOLT, 1/4X3/4"	12	
24	492581	NUT, 1/4"	12	
30	513396	FRONT CHASSIS	1	
32	513308	REAR ENGINE COVER	1	
33	13212	GROMMET, 1-1/4" ID	1	
34	513309	BOLT, 5/16 X 3/4"	4	
86	513312	BOLT, 1/4 X 1"	2	
88	492581	NUT, 1/4"	2	
90	490181	SIGHT GLASS	1	
92	513313	SUPPORT REAR ENGINE COVER	1	
94	492356	BOLT, 1/4X3/4"	1	
96	2101402	WASHER, LOCK 1/4"	1	REPLACES P/N 492622
98	492596	WASHER, FLAT 1/4"	3	
100	011208025	BOLT, 8X25T DCA-85,125,150SSM	1	REPLACES P/N 508342
102	EM923343	WASHER, LOCK 5/16"	1	REPLACES P/N 492623
104	506205	PLUG	1	
146	506273	SOLENOID, STARTER	1	
148	510925	NUT, 3/16"	2	
150	513314	BOLT, 1/4 X 1/2"	2	
152	492596	WASHER, FLAT 1/4"	2	
154	492581	NUT, 1/4"	2	
155	506085	GROMMET	1	
156	31620ZG5003	RECTIFIER ASSY., REGULATOR , 20A	1	
157	32105ZJ1800	SUB-WIRE HARNESS ASSY.	1	

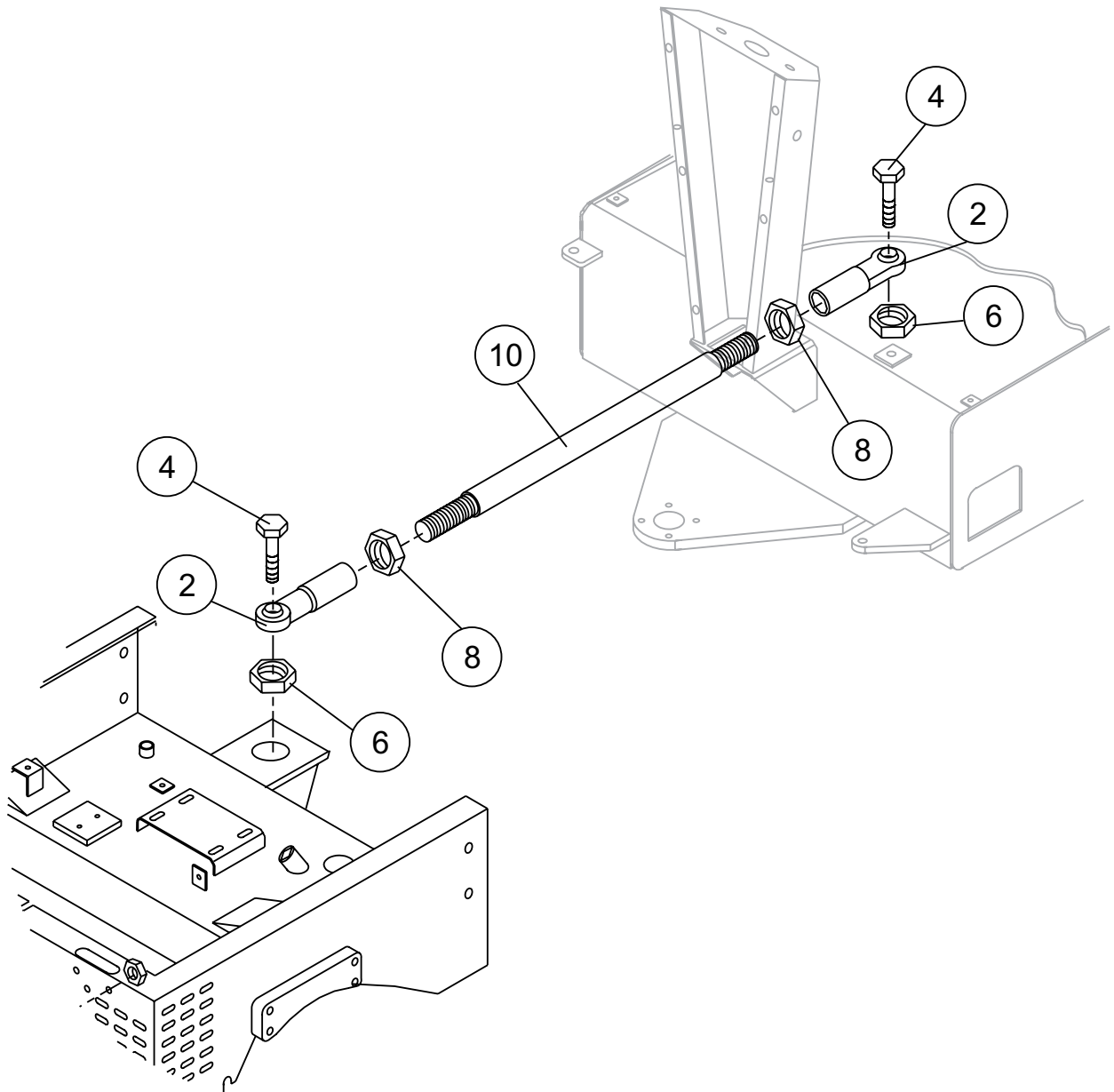
STEERING COLUMN AND HYDRAULIC ARTICULATION ASSY.



STEERING COLUMN AND HYDRAULIC ARTICULATION ASSY.

<u>NO.</u>	<u>PART NO.</u>	<u>PART NAME</u>	<u>QTY.</u>	<u>REMARKS</u>
14	EM923348	WASHER, LOCK 5/8"	2	
16	EM969023	NUT, LOCK 5/8"	2	REPLACES P/N 492586
18	492412	BOLT 5/8" UNC X 3	2	
22	506196	ELBOW FITTING	2	
24	513297	CYLINDER, STEERING	1	
26	513298	BOLT, 1/2"NC X 1" G	4	
28	513299	COVER, ARTICULATING JOINT	1	
30	EM963055	HEX HEAD CAP SCREW 3/8" X 3/4"	3	REPLACES P/N 492373
32	6109180	WASHER, LOCK 1/2" DIA.....	4	REPLACES P/N 492626
34	0166A	WASHER, LOCK 3/8" DIA.....	3	REPLACES P/N 492624
36	513300	RETAINER PLATE	1	
38	513301	SPACER	1	
40	506164	BEARING	1	
42	492276	BOLT, 1/2"NC X 1-1/2" G	4	
44	6109180	WASHER, LOCK 1/2"	4	REPLACES P/N 492626
46	513302	BASE, ARTICULATING JOINT	1	
48	513303	ARTICULATING JOINT	1	
50	492276	BOLT, 1/2"NC X 1-1/2" G	4	
52	491701	ZERK FITTING	1	
54	513350	HOSE, 9	1	
56	513348	HOSE, 16	1	
58	491008	GREASE COVER	1	
172	598156	NUT	1	
174	493128	WHEEL, STEERING	1	
176	507862	STEERING COLUMN	1	
178	506265	NUT, 5/16"	4	
180	509143	NUT, 5/16"	4	
181	513346	HOSES K AND L	2	
182	508344	WASHER, 5/16"	4	
184	508335	BUSHING	4	
186	509190	WASHER, 3/4"	1	
188	506186	HYDRAULIC VALVE	1	
190	506222	HOUR METER	1	
192	503119	NUT, LOCK 3/16"	1	
194	10958	SWITCH, STARTER	1	
195	11078	KEY, IGNITION	1	
196	506239	CABLE CHOKE	1	
198	503958	BOLT 1/4" X 5/8" G5	1	
200	EM969079	NUT, 1/4"	1	REPLACES P/N 492581
202	515423	HARNESS, WIRING	1	

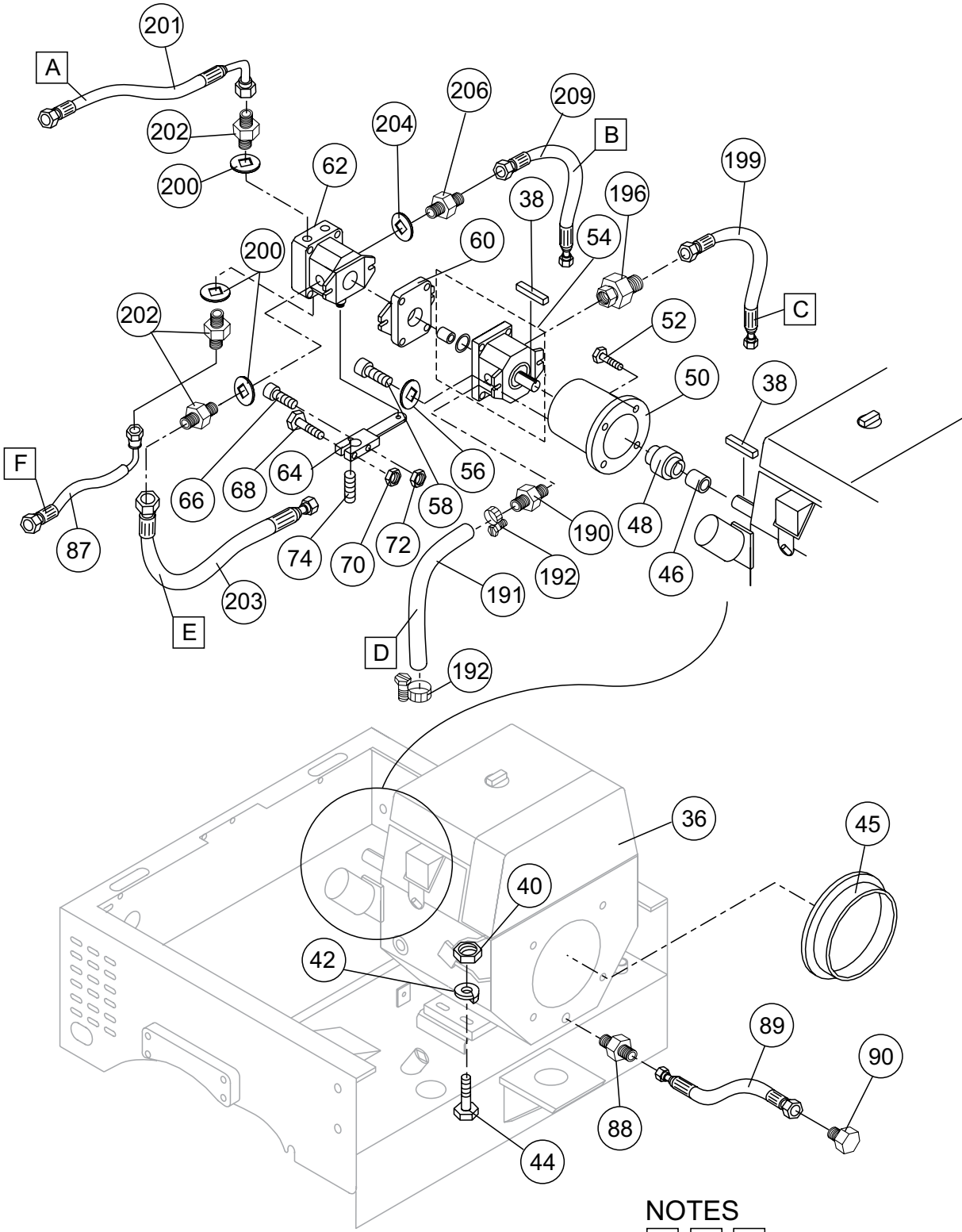
ARTICULATION ARM ASSY.



ARTICULATION ARM ASSY.

<u>NO.</u>	<u>PART NO.</u>	<u>PART NAME</u>	<u>QTY.</u>	<u>REMARKS</u>
2	513294	ROD END	2	
4	514347	BOLT, 3/4" X 2-1/2"	2	
6	EM505069	NUT, 3/4"	2	
8	513295	NUT, 3/4"	2	
10	513296	ROD, DIRECTION STABILIZER	1	

HYDRAULIC DRIVE PUMP ASSY.



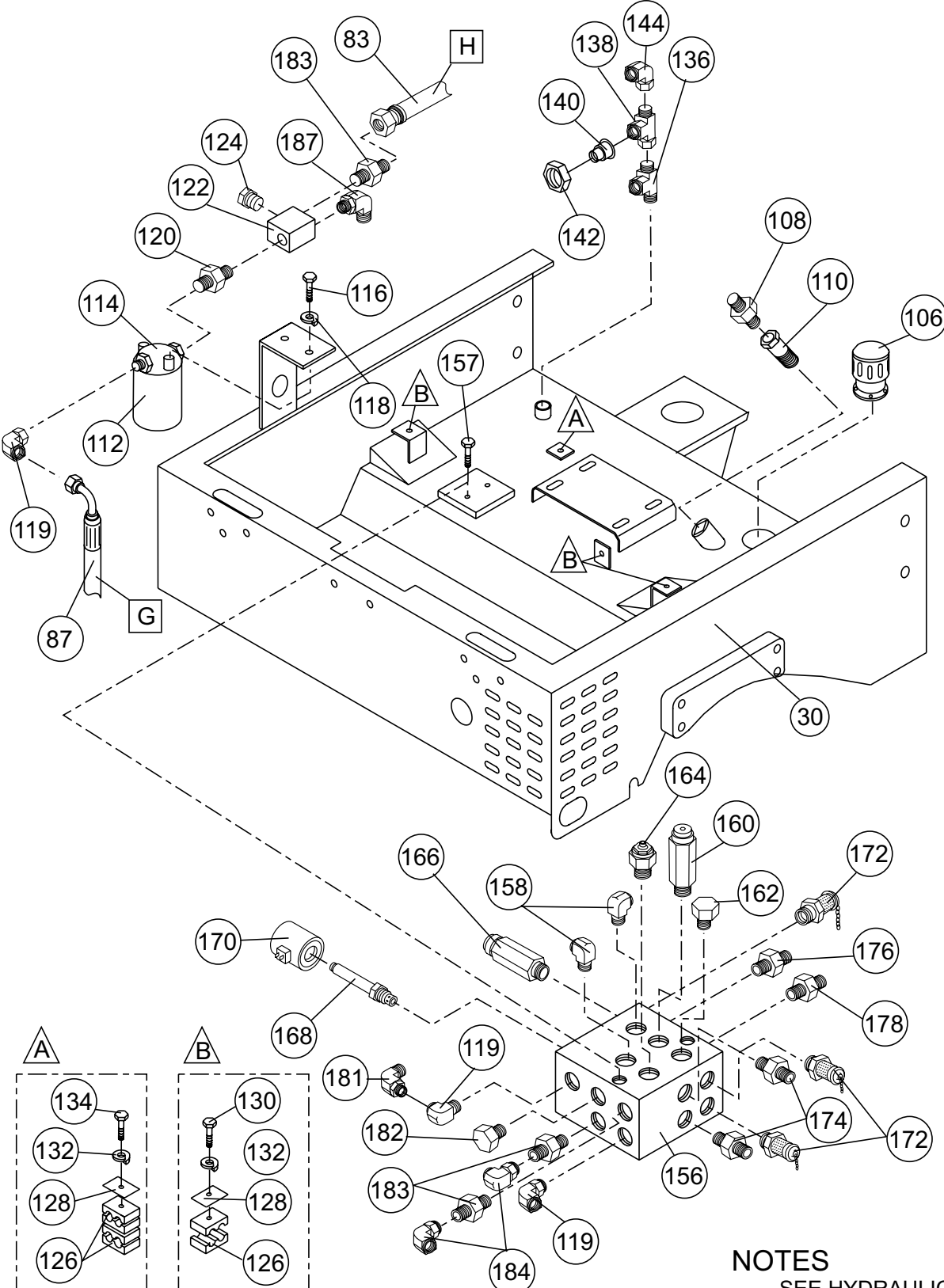
NOTES

A	C	E	SEE HYDRAULIC HOSE CONNECTIONS IN OPERATION MANUAL
B	D	F	

HYDRAULIC DRIVE PUMP ASSY.

<u>NO.</u>	<u>PART NO.</u>	<u>PART NAME</u>	<u>QTY.</u>	<u>REMARKS</u>
36	GX610K1QZB2	ENGINE W/ELECTRIC STARTER.....	1.....	OLDER MODELS
36	GX610R1QZB2	ENGINE W/ELECTRIC STARTER.....	1.....	NEWER MODELS
38	500214	KEY SQUARE	1	
40	EM969013	NUT, LOCK 3/8"	4.....	REPLACES P/N 492583
42	3019092	WASHER, FLAT 3/8".....	8.....	REPLACES P/N 492598
44	EM963059	BOLT, 3/8 X 2".....	4.....	REPLACES P/N 492379
45	513352	RUBBER RING 1/2"X1/2"	1	
46	506234	SPACER	1	
48	506235	COUPLER	1	
50	506236	ALUMINUM ADAPTER	1	
52	EM963610	CAP SCREW 3/8"NC X 1-1/4" GS.....	4.....	REPLACES P/N 492376
54	507845	PUMP, STEERING	1	
56	EM508346	WASHER, 3/8"	2.....	REPLACES P/N 508346
58	EM175	BOLT, 3/8-16 X 1-1/4" SC HD	2	
60	507860	ADAPTER, STEERING PUMP	1	
62	506187	HYDRAULIC PUMP	1	
64	513310	SHIFT LEVER	1	
66	509144	BOLT, 3/16 X 1-3/4"	1	
68	492367	BOLT, 5/16 X 1-3/4"	1	
70	2105164	NUT, NYLON 5/16"-18	1.....	REPLACES P/N 492582
72	503119	NUT, LOCK 3/16"	1	
74	492465	SCREW, ALLEN HEAD 1/4-20 X 3/8"	1	
87	513335	HOSE	2	
88	513618	ADAPTER	1	
89	513620	HOSE, DRAIN	1	
90	513619	PLUG	1	
190	506217	FITTING, 3/4"	1	
191	513340	HOSE	1	
192	506207	HOSE CLAMP, HS-16	2	
196	506203	FITTING	1	
199	513338	HOSE	1	
200	508427C	COPPER WASHER, 21/32"	3	
201	513333	HOSE	1	
202	508343	FITTING	3	
203	513339	HOSE	1	
204	508428C	COPPER WASHER, 5/8"	1	
206	506219	FITTING, 1/2"	1	
208	506200	FITTING, 3703-08-08	1	
209	513336	HOSE	1	

MANIFOLD AND HYDRAULIC OIL FILTER ASSY.



NOTES

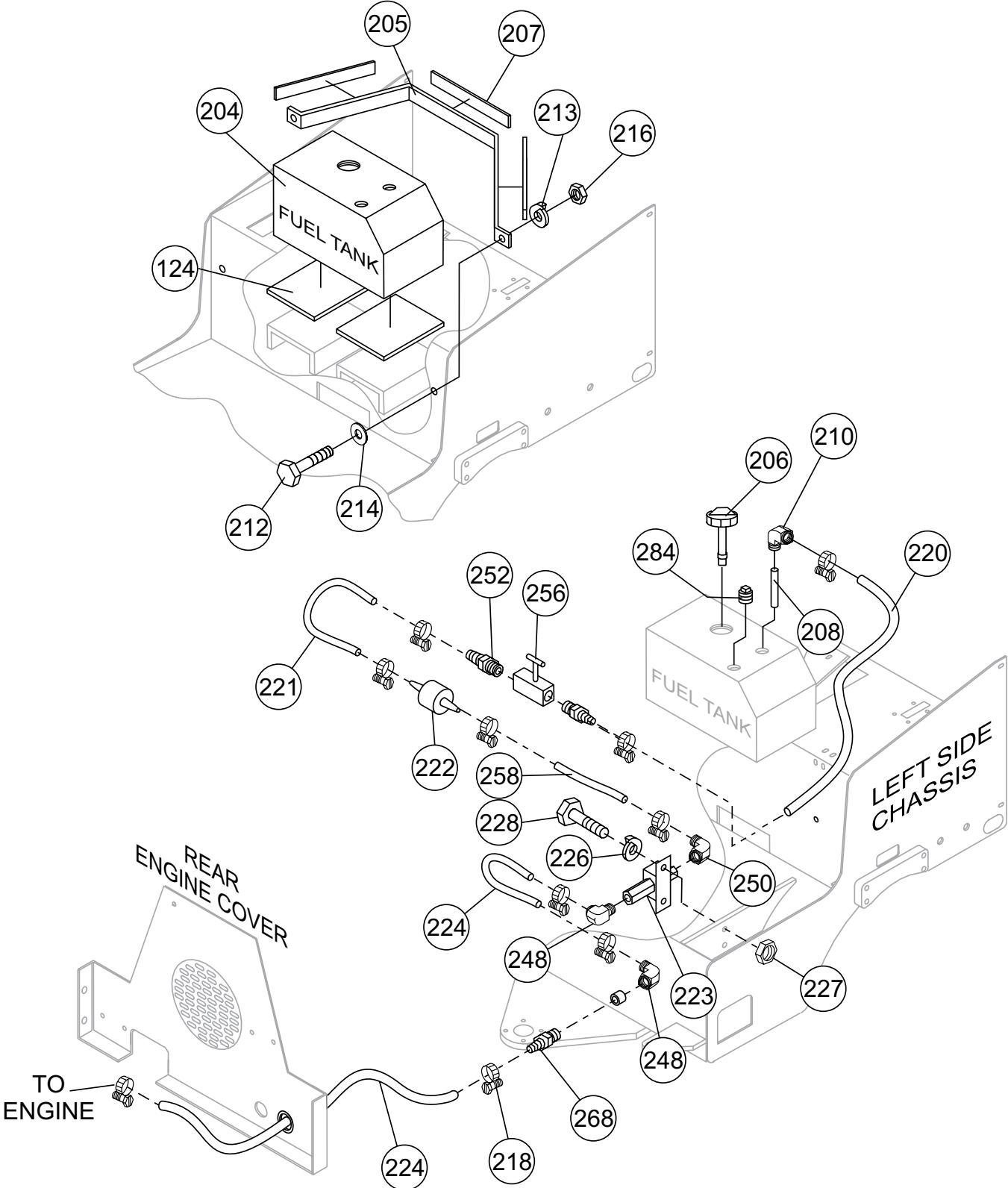
SEE HYDRAULIC HOSE CONNECTIONS IN OPERATION MANUAL

G **H**

MANIFOLD AND HYDRAULIC OIL FILTER ASSY.

<u>NO.</u>	<u>PART NO.</u>	<u>PART NAME</u>	<u>QTY.</u>	<u>REMARKS</u>
83	513334	HOSE	1	
87	513335	HOSE	2	
106	507278	HYDRAULIC TANK CAP	1	
108	506218	STRAIGHT FITTING, 3/4"	1	
110	506221	FILTER, GAS	1	
112	508667	OIL FILTER	1	
114	508664	FILTER, HEAD	1	
116	492357	SCREW, HHC 1/4-20X12	2	
118	2101402	WASHER, LOCK 1/4"	2	REPLACES P/N 492622
119	EM25507	FITTING	3	
120	506204	FITTING	1	
122	506244	BLOCK FILTER M10	1	
124	508670	VALVE CHECK	1	
126	505976	CLAMP, 3/4"	5	
128	506185	PLATE CORNER	4	
130	492367	SCREW, HHC 5/16"-18X1-3/4"	3	
132	EM923343	WASHER, LOCK 5/16"	4	REPLACES P/N 492623
134	492371	BOLT, 5/16" LOCK	1	
136	506201	FITTING, TEE	1	
138	506202	FITTING	2	
140	506206	FITTING	1	
142	508472	FITTING	1	
144	506195	FITTING	1	
156	515502	MANIFOLD	1	
157	508814	BOLT, 5/16"X3-1/4"	2	
158	506192	FITTING	2	
160	507774	VALVE RELIEF, 500 PSI	1	
162	507772	PLUG	1	
164	506247	VALVE, NEEDLE	1	
166	506246	VALVE, RELIEF, 2000 PSI	1	
168	506245	VALVE, SOLENOID	1	
170	507885	12 VOLT COIL SOLENOID	1	
172	506182	COUPLING, PSI TEST	3	
174	506190	FITTING	2	
176	511808	ADAPTER, STRAIGHT	2	
178	506190	FITTING	2	
181	506195	FITTING	1	
182	506205	PLUG	1	
183	506193	FITTING	4	
184	506195	FITTING	2	

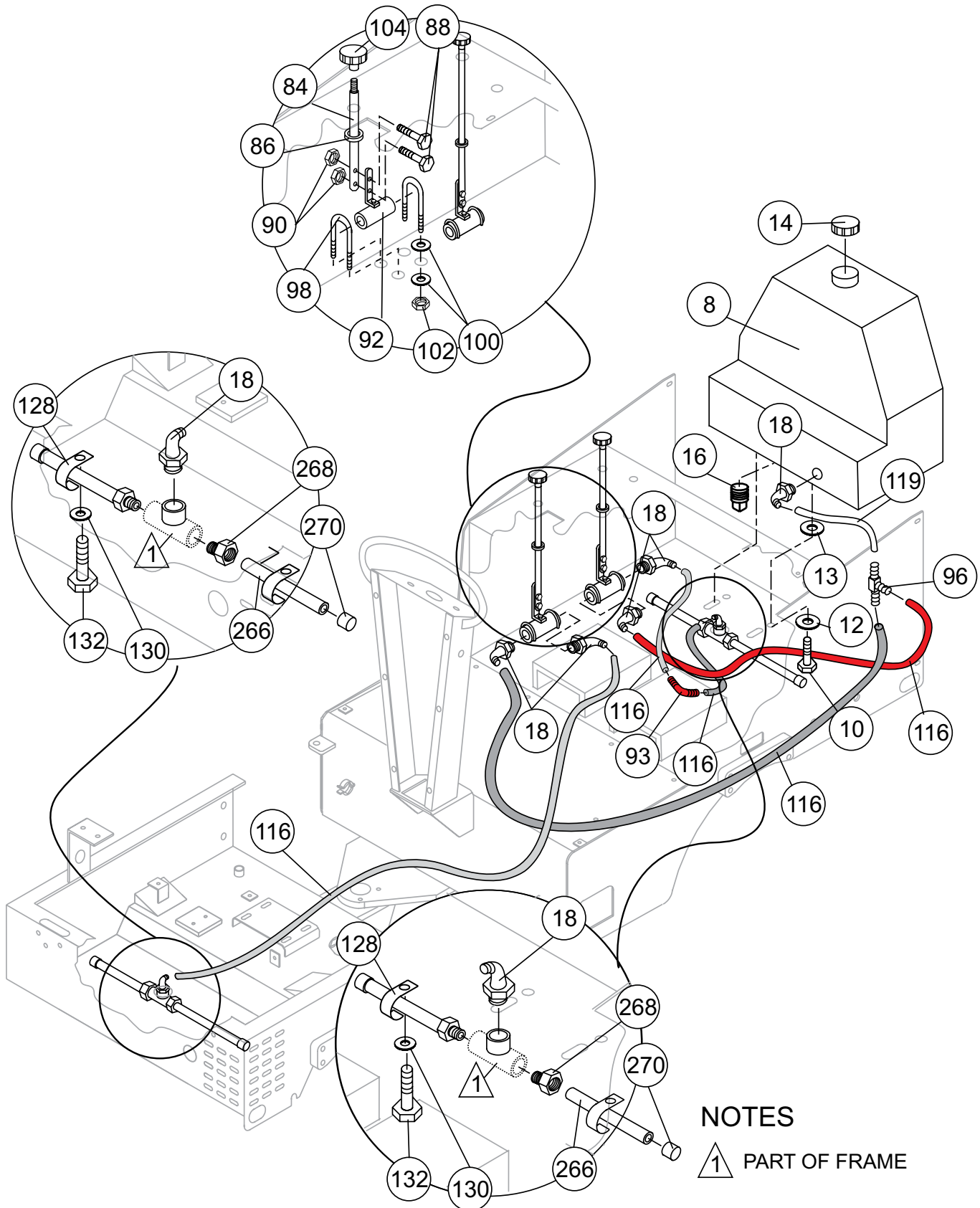
FUEL TANK ASSY.



FUEL TANK ASSY.

<u>NO.</u>	<u>PART NO.</u>	<u>PART NAME</u>	<u>QTY.</u>	<u>REMARKS</u>
124	508302	PAD, RUBBER TANK	2	
204	513329	FUEL TANK	1	
205	514467	BRACKET, FUEL TANK SUPPORT	1	
206	34507	CAP, FUEL W/GAUGE	1	
207	514340	PAD, RUBBER BRACKET 4X36X10 MM	1.7	
208	491210	FLEX TUBE 5/16"	1	
210	505521	ADAPTER, ELBOW	1	
212	492309	BOLT 5/16"NC X 1" G5	2	
213	492623	WASHER, LOCK 5/16"	2	
214	3019092	WASHER, FLAT 5/16"	2	
216	492553	NUT, HEX 5/16"	2	
218	506208	CLAMP, HS-4	8	
220	514536	HOSE, 4FLH 5/16"	.85	
221	EM20427	HOSE, 1/4"	.07	
222	352431090	FUEL, FILTER.....	1.....	REPLACES P/N EM20763
223	40177	FUEL PUMP	1	
224	EM20427	HOSE, 1/4"	.19	
226	492622	WASHER, LOCK 1/4"	2	
227	492561	NUT, HEX 1/4"	2	
228	492357	BOLT, 1/4"NC X 1" G5	2	
230	404976	CLAMP, 3/4"	1	
248	EM20426	ADAPTER, ELBOW	2	
250	514559	ADAPTER, ELBOW	1	
252	512731	ADAPTER	2	
256	512722	FUEL SHUT-OFF VALVE	1	
258	EM20427	HOSE, 1/4"	.07	
268	511778	ADAPTER	1	
284	491210	PLUG, TANK 1/4"	1	

WATER TANK ASSY.



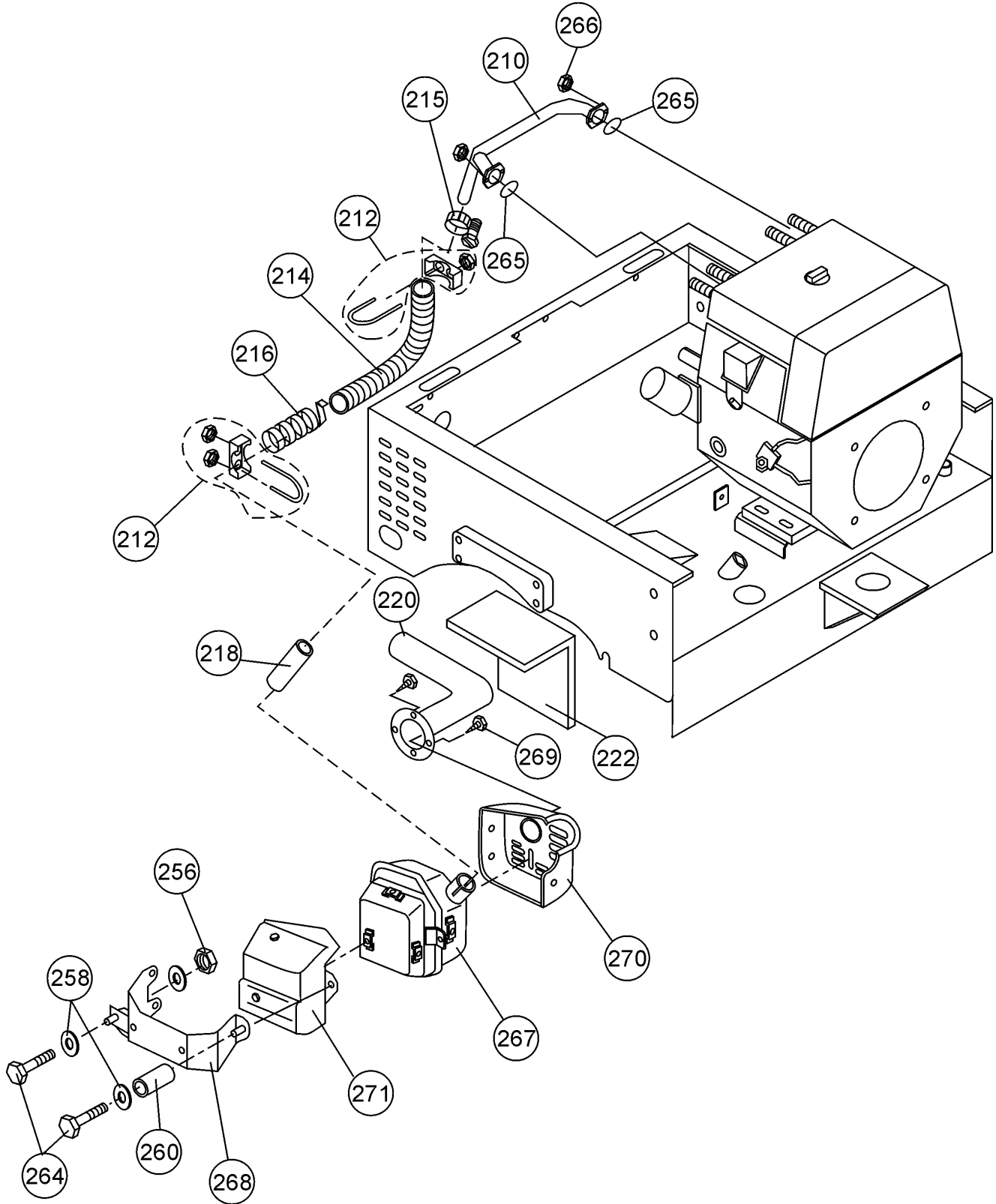
NOTES

1 PART OF FRAME

WATER TANK ASSY.

<u>NO.</u>	<u>PART NO.</u>	<u>PART NAME</u>	<u>QTY.</u>	<u>REMARKS</u>
8	513316	WATER TANK	1	
10	EM963055	BOLT, 3/8"X3/4".....	1	REPLACES P/N 492373
12	3019092	WASHER, FLAT 3/8" SPECIAL.....	1	REPLACES P/N 492598
13	0166A	WASHER, LOCK 3/8".....	1	REPLACES P/N 492624
14	509249	WATER TANK CAP	1	
16	506094	PLUG, 1/2" NPT GALVANIZED	1	
18	506071	ELBOW PVC	7	
84	513321	WATER VALVE EXTENSION	1	
88	492358	BOLT, 1/4"NC X 1-1/4" G5	4	
90	492581	NUT, 1/4"	4	
92	513322	VALVE, BALL	2	
93	813351	ELBOW 90G 1/2" NYLON	1	
94	513379	"T" ADAPTER	1	
98	506086	U-BOLT, 3/8"	4	
100	3019092	WASHER, FLAT 3/8".....	16	REPLACES P/N 492598
102	508435	LOCK NUT	8	
104	503015	KNOB, HANDLE ADJ.	2	
116	504163	HOSE, 1/2"	1	
118	504163	HOSE, 1/2"	1	
119	504163	HOSE, 1/2"	1	
120	504163	HOSE, 1/2"	1	
122	504163	HOSE, 1/2"	1	
128	506084	CLAMP	4	
130	505679	NUT, 5/16"	4	
132	505401	SCREW, HHC 5/16"-18 X 1/2"	4	
266	506072	PVC TUBE	4	
268	506074	MALE ADAPTER	4	
270	508610	CAP	4	

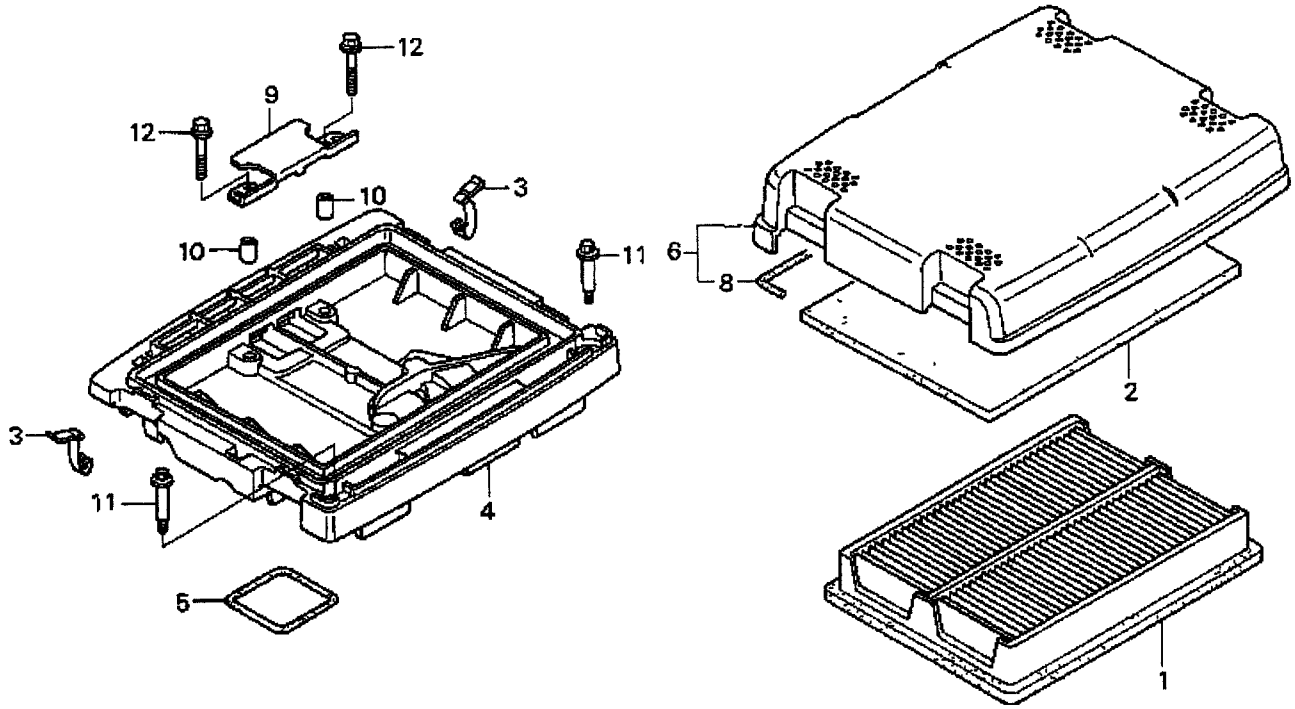
MUFFLER ASSY.



MUFFLER ASSY.

<u>NO.</u>	<u>PART NO.</u>	<u>PART NAME</u>	<u>QTY.</u>	<u>REMARKS</u>
210	513449	MUFFLER PIPE (MODIFIED)	1	
212	506257	U-BOLT ASSY. 1-1/2"	2	
214	514711	TUBE 1.25" FLEX	1	
215	506207	HOSE CLAMP HS-16	2	
216	510718	HEAT WRAP 2"X1/16"	1	
218	513447	EXTENSION MUFFLER PIPE	1	
220	513444	ELBOW, EXHAUST FLANGED	1	
222	513341	DEFLECTOR EXHAUST	1	
256	492553	NUT, HEX 5/16"NC	2	
258	505679	FLAT WASHER 5/16"	4	
260	513520	MUFFLER BASE EXTENSION	1	
262	492369	SCREW, HHC 5/16"-18X2-1/4"	1	
264	503952	BOLT, 5/16" X4"	1	
265	18333ZJ1000	GASKET, MUFFLER	2	
266	9405008000	NUT	4	
267	18310ZJ1-800	MUFFLER	1	
268	18338ZJ1801	STAY, MUFFLER.....	1.....	REPLACES P/N 18338ZJ1800
269	90009ZJ1801	SCREW, SPECIAL	4	
270	18321ZJ1801	PROTECTOR, MUFFLER	1.....	REPLACES P/N 18321ZJ1800
271	18325ZJ1801	PROTECTOR, RR. MUFFLER	1.....	REPLACES P/N 18325ZJ1800

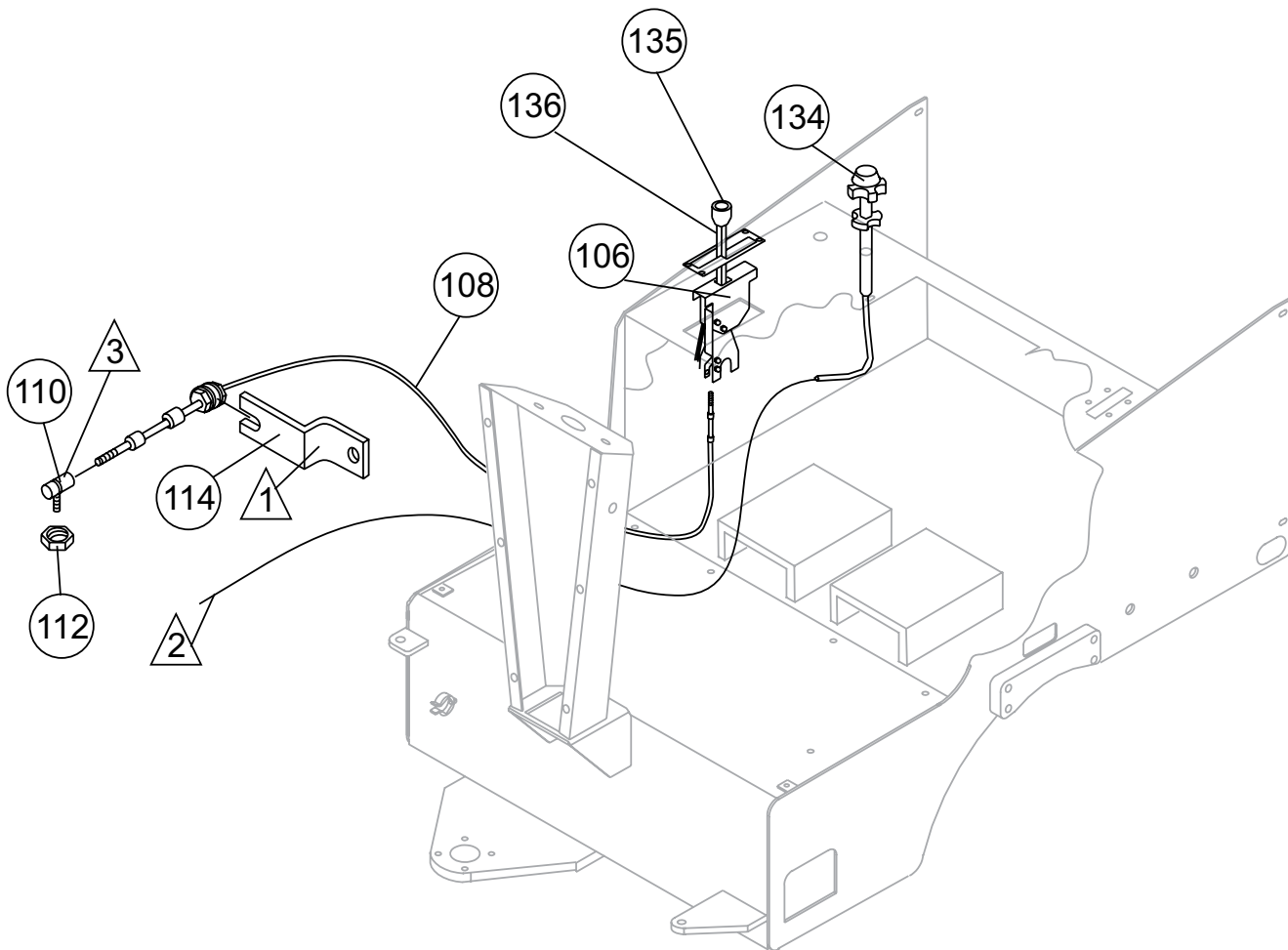
AIR CLEANER ASSY.






AIR CLEANER ASSY.

<u>NO.</u>	<u>PART NO.</u>	<u>PART NAME</u>	<u>QTY.</u>	<u>REMARKS</u>
1	17210ZJ1842	ELEMENT, AIR CLEANER	1	
2	17218ZJ1840	FILTER, (OUTER)	1	
3	17219ZJ1840	CLIP, AIR CLEANER	4	
4	17220ZJ1840	HOUSING, AIR CLEANER	1	
5	17229ZJ1840	SEAL, AIR CLEANER HOUSING	1	
6	17230ZJ1840	COVER ASSEMBLY, AIR CLEANER.....	1.....	INCLUDES ITEM W/#
8#	17233ZJ1840	SEAL, AIR CLEANER COVER	1	
9	17234ZJ1840	PLATE, AIR CLEANER SETTING	1	
10	17238ZJ4830	COLLAR A, AIR CLEANER	2	
11	90003ZJ1840	BOLT, SPECIAL 5MM	2	
12	957010602800	BOLT, FLANGE 6X28	2	

THROTTLE ASSY.



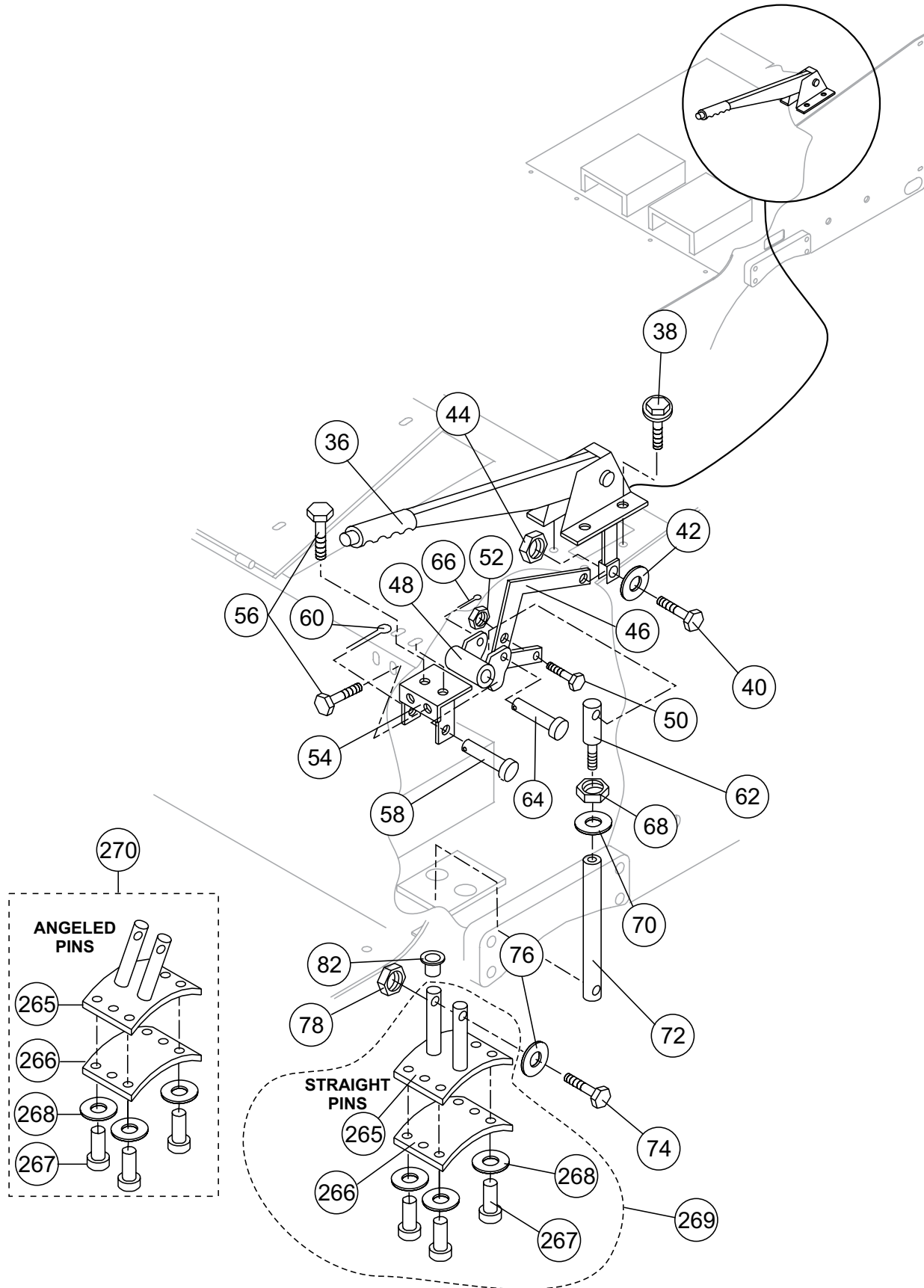
NOTES:

-  ITEM 114 BOLTS TO ENGINE
-  THROTTLE CABLE CONNECTS TO ENGINE
-  ITEM 110 CONNECTS TO ITEM 64, SEE HYDRAULIC DRIVE PUMP ASSY.

THROTTLE ASSY.

<u>NO.</u>	<u>PART NO.</u>	<u>PART NAME</u>	<u>QTY.</u>	<u>REMARKS</u>
106	513323	TRAVEL LEVER (FORWARD/REVERSE)	1	
108	513324	CABLE, FORWARD/REVERSE	1	
110	514742	JOINT BALL	1	
112	508451	LOCK, NUT 1/4"-28 NF	1	
114	513325	ADVANCE CABLE SUPPORT	1	
134	510229	CABLE THROTTLE ASSEMBLY	1	
135	G201	KNOB HANDLE	1	
136	DA1252	LEVER HANDLE	1	

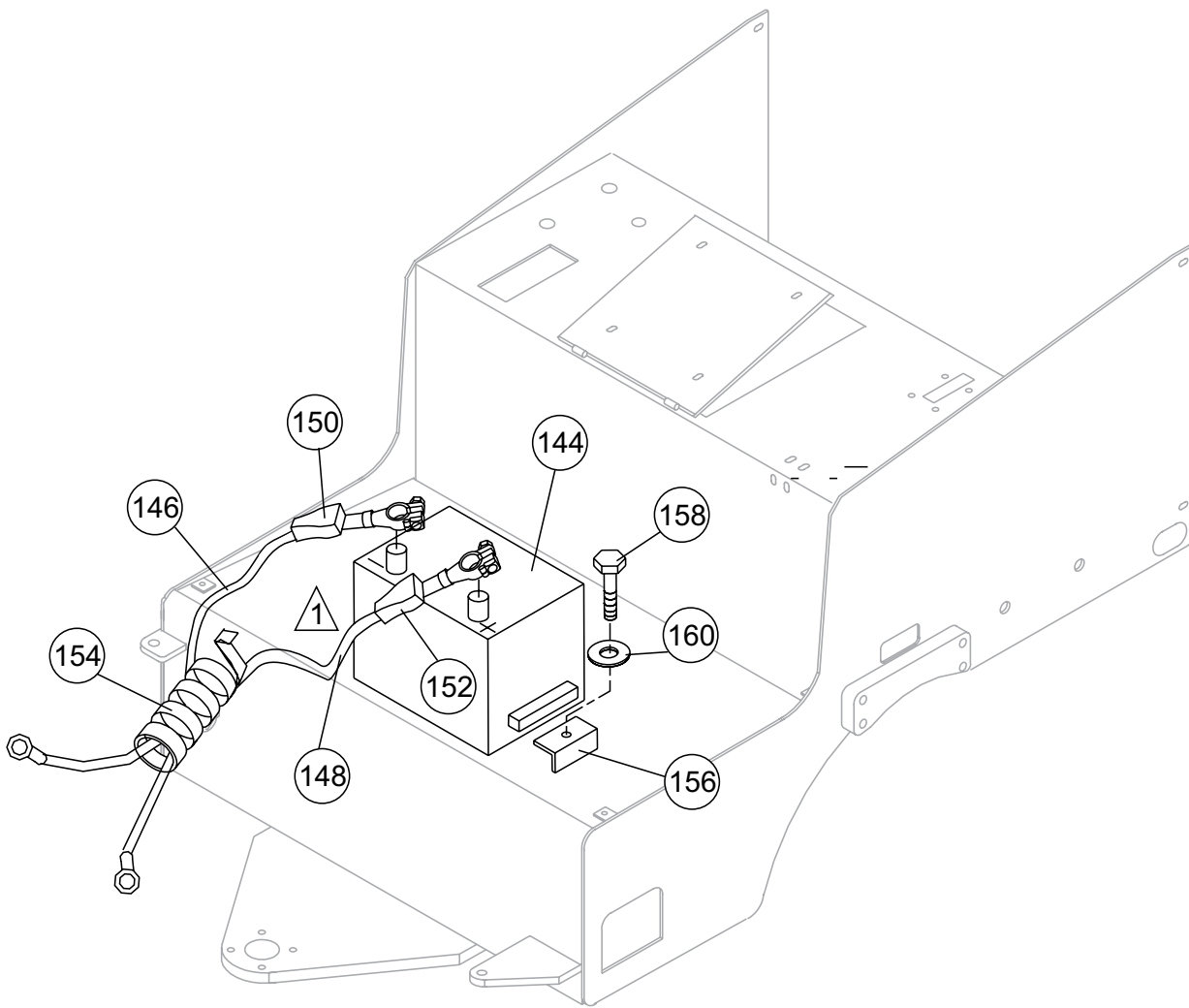
BRAKE CONTROL ASSY.




BRAKE CONTROL ASSY.

<u>NO.</u>	<u>PART NO.</u>	<u>PART NAME</u>	<u>QTY.</u>	<u>REMARKS</u>
36	506046	LEVER, BRAKE	1	
38	506158	BOLT, 5/16"NC X 3/4" G5	4	
40	492365	BOLT, 5/16"NC X 1-1/4" G5	1	
42	EM923023	WASHER, FLAT 5/16"	2.....	REPLACES P/N 492597
44	2105164	NUT, NYLON 5/16"-18	1.....	REPLACES P/N 492582
46	506057	BRAKE, LINK	1	
48	505999	BELL, CRANK	1	
50	EM963097	BOLT, 3/8"NC X 1-1/2" G5	1.....	REPLACES P/N 492313
52	EM969013	NUT, LOCK 3/8"	1.....	REPLACES P/N 492583
56	508674	BOLT, 5/16"NC X 1" G5	4	
58	506042	PIN, CLEVIS	1	
66	2219	KEY, COTTER	1	
68	492570	NUT, HEX 5/8"	1	
70	EM923348	WASHER, LOCK 5/8"	1.....	REPLACES P/N 492627
72	508449	BRAKE ROD	1	
74	508619	BOLT, HEX HEAD 3/8"NC X4"	1	
76	3019092	WASHER, FLAT 3/8"	2.....	REPLACES P/N 492598
78	EM969013	NUT, LOCK 3/8"	1.....	REPLACES P/N 492583
82	506001	BUSHING, PLASTIC	1	
265@%	513320	SUPPORT, BRAKE SHOE	1	
266@%	505997	BRAKE PAD	1	
267@%	508566	RIVET	6	
268@%	508386	WASHER, 3/16"	6	
269	505994	BRAKE PAD ASSEMBLY, STRAIGHT PINS.....	1.....	INCLUDES ITEMS W/@
270	513193	BRAKE PAD ASSEMBLY, ANGLED PINS	1.....	INCLUDES ITEMS W/%

BATTERY ASSY.



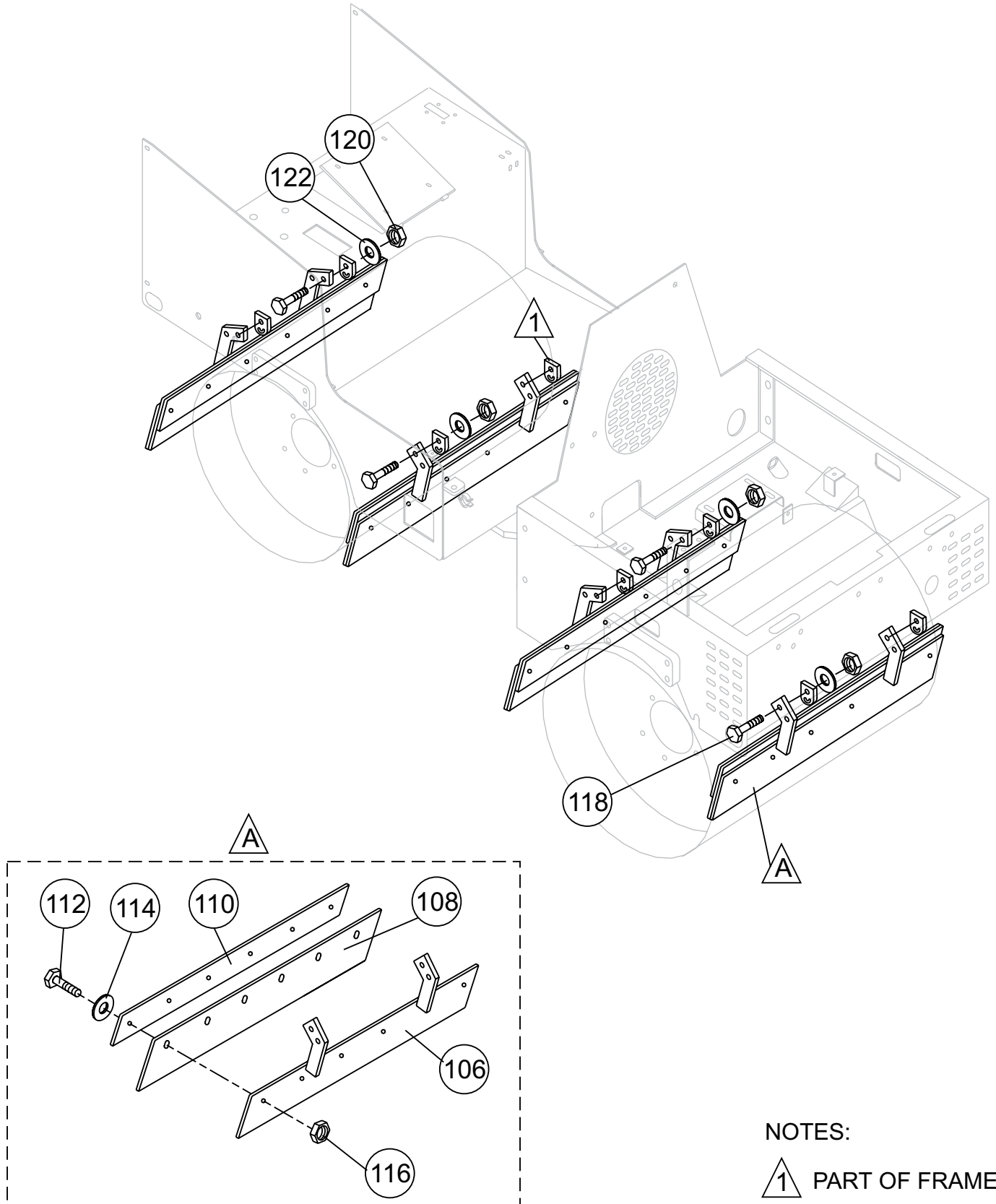
NOTES:

-  REMOVE ITEMS 20 AND 29 ON COVERS AND FRAME ARTICULATION LOCK ASSY. FOR BATTERY ACCESS

BATTERY ASSY.

<u>NO.</u>	<u>PART NO.</u>	<u>PART NAME</u>	<u>QTY.</u>	<u>REMARKS</u>
144	514391	BATTERY 12V	1	
146	513446	CABLE (-) BATTERY	1	
148	513445	CABLE (+) BATTERY	1	
150	505624	BATTERY TERMINAL COVER	1.....	BLACK
152	506266	BATTERY TERMINAL COVER	1.....	RED
154	506152	WRAP	1	
156	506151	CLAMP, BATTERY	1	
158	TBD	HEX HEAD SCREW 3/8"X2" NC G5	1	
160	3019092	WASHER, FLAT 3/8"	1.....	REPLACES P/N 492598

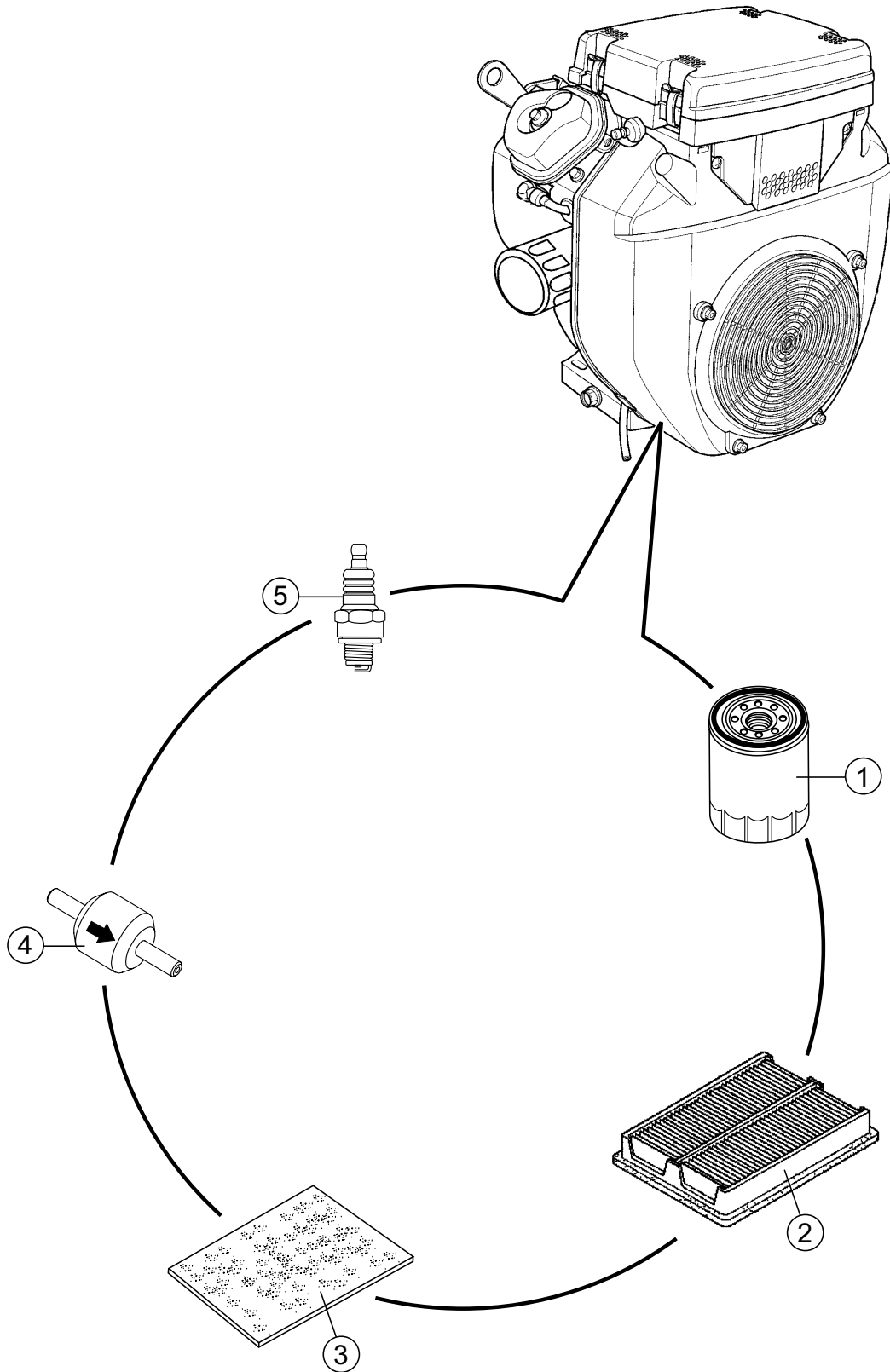
SCRAPER ASSY.



SCRAPER ASSY.

<u>NO.</u>	<u>PART NO.</u>	<u>PART NAME</u>	<u>QTY.</u>	<u>REMARKS</u>
106	513290	SCRAPER, SUPPORT	4	
108	508433	SCRAPER, RUBBER	4	
110	508434	PLATE BACKING	4	
112	EM963057	BOLT, 3/8"	12.....	REPLACES P/N 492313
114	3019092	WASHER, FLAT 3/8"	12.....	REPLACES P/N 492598
116	EM969013	NUT, LOCK 3/8"	12.....	REPLACES P/N 492583
118	EM963692	BOLT, 1/2" UNC X 1-1/2"	8.....	REPLACES P/N 492384
120	492584	NUT, LOCK 1/2" NC	8	
122	621	WASHER, 1/2" SPECIAL	8	

ENGINE SERVICE PARTS ASSY.



ENGINE SERVICE PARTS ASSY.

<u>NO.</u>	<u>PART NO.</u>	<u>PART NAME</u>	<u>QTY.</u>	<u>REMARKS</u>
1	15410ZJ4999AH	FILTER, OIL	1	
2	17210ZJ1842	ELEMENT, AIR CLEANER	1	
3	17218ZJ1840	FILTER, (OUTER) AIR CLEANER	1	
4	16910ZE8015	FUEL FILTER	1	
5	9807956846	SPARK PLUG	1	