

PARTS MANUAL



MODELS
AR13HA
AR13HAR
RIDE-ON TANDEM DRUM ROLLER
SERIES DRIVE SYSTEM
(HONDA GX630RQZB2 GASOLINE ENGINE)
Serial No. 110301 and ABOVE

Revision #1 (06/18/21)



THIS MANUAL MUST ACCOMPANY THE EQUIPMENT AT ALL TIMES.

AR13HA/HAR Ride-On Tandem Roller

Table Of Contents	2
Explanation Of Code In Remarks Column.....	4
Suggested Spare Parts	5

Component Drawings

Nameplate And Decals	6–9
Front Drum Assembly	10–11
Exciter Assembly	12–13
Rear Drum And Chassis Assembly	14–15
Covers/Frame Articulation Lock Assembly	16–17
Hood And Rear Panel Assembly	18–19
Steering Column/Hyd. Articulation Assembly ...	20–21
Articulation Arm Assembly	22–23
Hydraulic Drive Pump Assembly	24–25
Manifold And Hydraulic Oil Filter Assembly	26–27
Fuel Tank Assembly	28–29
Water Tank Assembly	30–31
Engine And Muffler Assembly	32–33
Throttle Assembly	34–35
Brake Control Assembly	36–37
Battery Assembly	38–39
Scraper Assembly	40–41
Engine Service Parts	42–43

NOTICE

Specifications and part numbers are subject to change without notice.

SUGGESTED SPARE PARTS

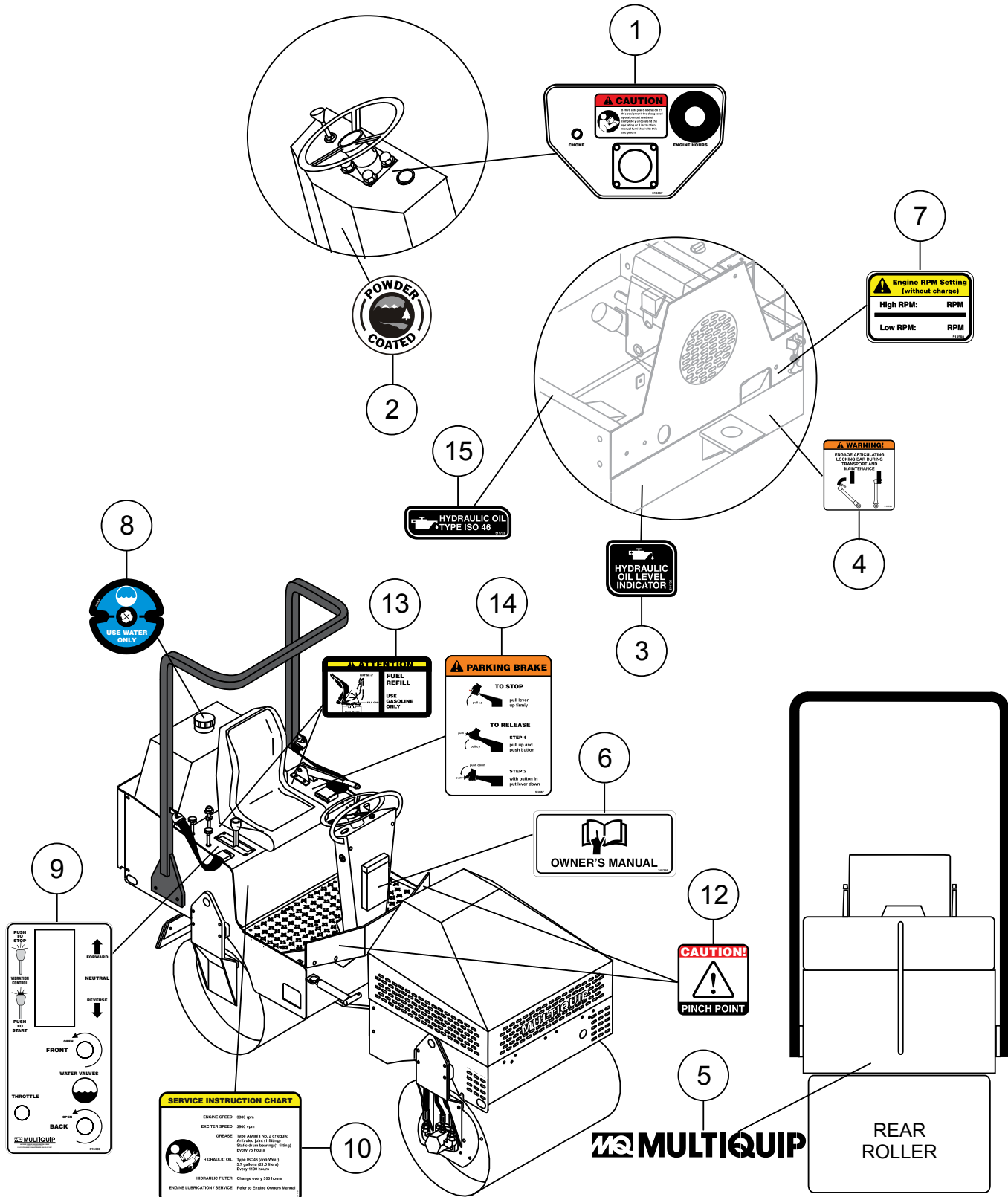
AR13HA/HAR RIDE-ON TANDEM DRUM ROLLER (with Honda GX630RQZB2 Engine) 1 TO 3 UNITS

Qty.	P/N	Description
1	510229	CABLE, THROTTLE
1	506239	CABLE, CHOKE
1	513324	CABLE, FORWARD/REVERSE
1	10958	SWITCH, STARTER
3	506267K	KEY, STARTER SWITCH
6	508667	OIL FILTER, HYDRAULIC
1	507278	CAP, HYDRAULIC TANK
1	506221	FILTER, GAS TANK
6	EM20763	FILTER, FUEL
1	23514	GAUGE, FUEL/CAP
1	509249	CAP, WATER TANK
4	508433	SCRAPER, RUBBER
3	17010ZJ1000	ELEMENT SET, AIR
1	17218ZJ1000	FILTER OUTER, AIR
6	15410ZJ4999AH	FILTER, OIL
6	9807956846	SPARK PLUG
3	16910ZE8015	FILTER, FUEL ENGINE

NOTICE

Part numbers on this Suggested Spare Parts list may supersede/replace the part numbers shown in the following parts lists.

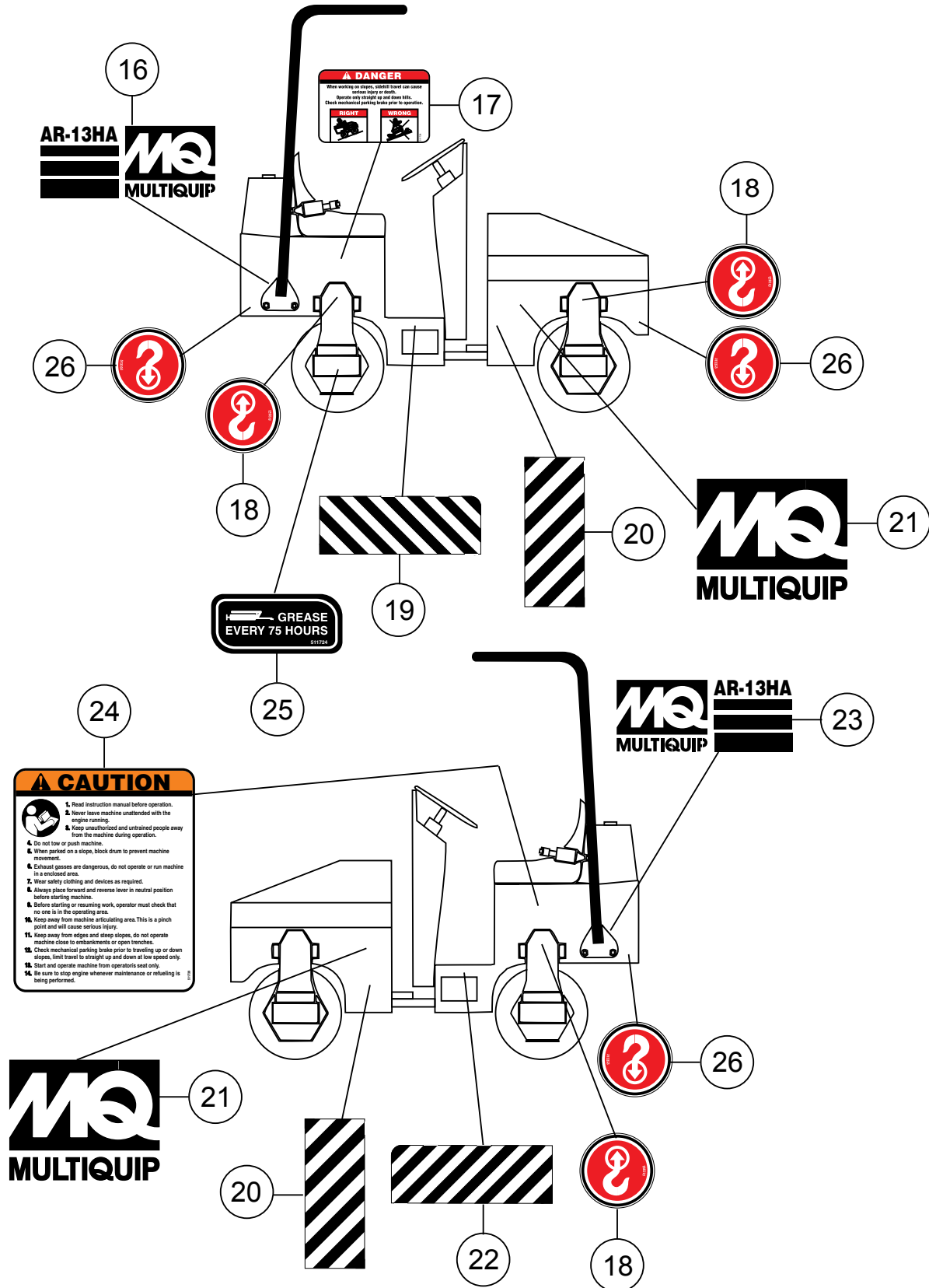
NAMEPLATE AND DECALS



NAMEPLATE AND DECALS

<u>NO.</u>	<u>PART NO.</u>	<u>PART NAME</u>	<u>QTY.</u>	<u>REMARKS</u>
1	513457	DECAL: STEERING CONSOLE	1	
2	13118	DECAL: POWDER COATED	1	
3	511726	DECAL: HYDRAULIC OIL LEVEL INDICATOR	1	
4	511736	DECAL: WARNING	1	
5	511740	DECAL: MULTQUIP	1	
6	34536	DECAL: OWNERS MANUAL	1	
7	513580	DECAL: ENGINE RPM SETTING	1	
8	513698	DECAL: WATER TANK CAP	1	
9	515436	DECAL: CONTROL PANEL	1	
10	511737	DECAL: SERVICE INSTRUCTION CHART	1	
12	511735	DECAL: CAUTION	2	
13	513707	DECAL: ATTENTION	2	
14	513467	DECAL: PARKING BRAKE INSTRUCTIONS	1	
15	511733	DECAL: HYDRAULIC OIL INDICATOR	1	

NAMEPLATE AND DECALS (CONT'D.)

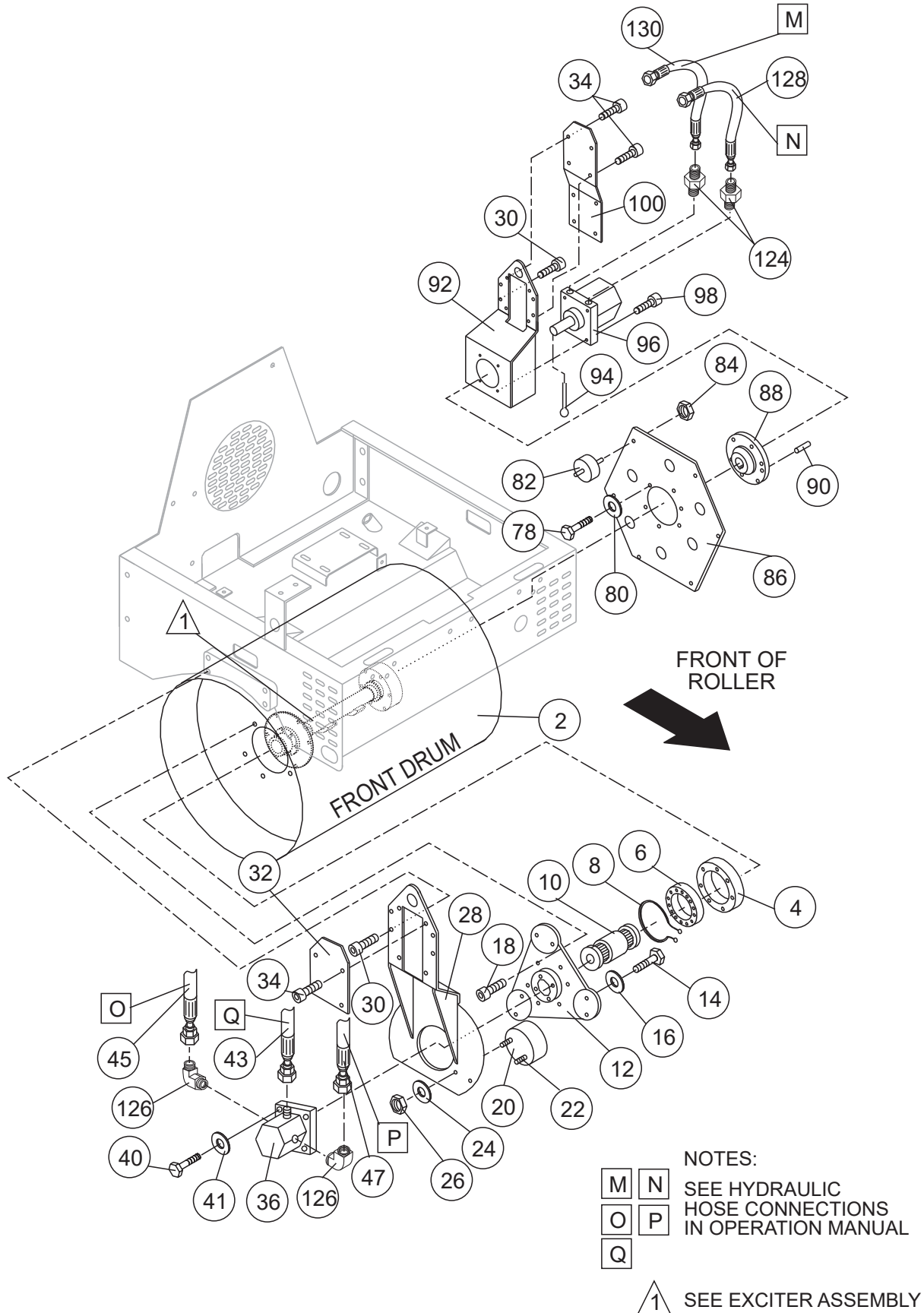


NAMEPLATE AND DECALS (CONT'D.)

CONTINUED

<u>NO.</u>	<u>PART NO.</u>	<u>PART NAME</u>	<u>QTY.</u>	<u>REMARKS</u>
16	513529	DECAL: AR-13H MQ LOGO	1	
17	511738	DECAL: DANGER	1	
18	513393	DECAL: SECURING POINT INDICATOR.....4.....	4	POINT ARROW UP
19	513469	DECAL: CAUTION STRIPE PATTERN1.....	1	HORIZONTAL PLACEMENT
20	511718	DECAL: CAUTION STRIPE PATTERN2.....	2	VERTICAL PLACEMENT
21	513688	DECAL: MQ LOGO	2	
22	513740	DECAL: CAUTION STRIPE PATTERN1.....	1	HORIZONTAL PLACEMENT
23	513531	DECAL: AR-13H MQ LOGO	1	
24	511739	DECAL: CAUTION: INSTRUCTIONS	1	
25	511724	DECAL: GREASE REMINDER	1	
26	513393	DECAL: SECURING POINT INDICATOR.....3.....	3	POINT ARROW DOWN

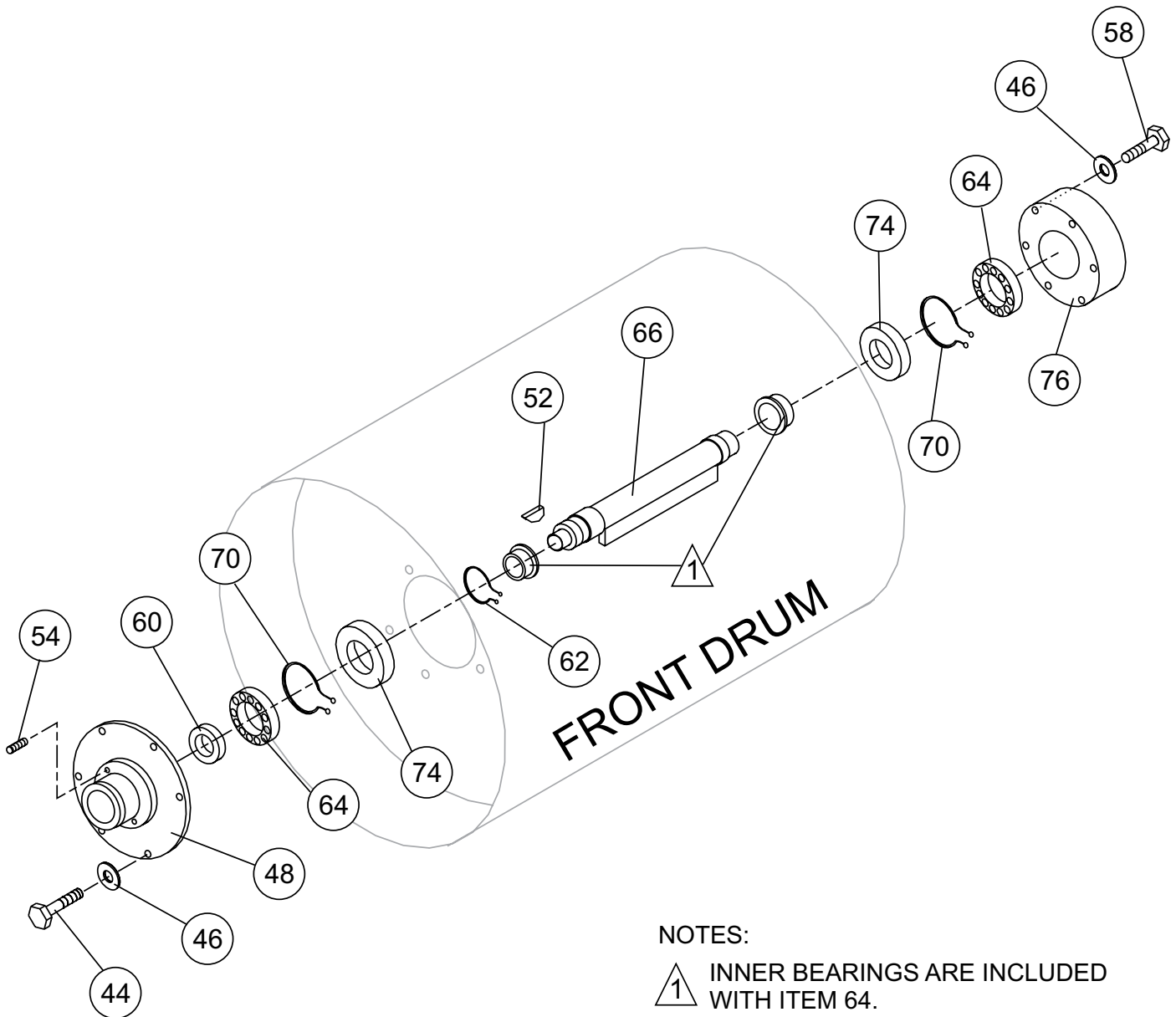
FRONT DRUM ASSY.



FRONT DRUM ASSY.

<u>NO.</u>	<u>PART NO.</u>	<u>PART NAME</u>	<u>QTY.</u>	<u>REMARKS</u>
2	513280	FRONT ROLLER	1	
4	506145	HOUSING BEARING	1	
6	506147	BEARING	1	
8	506136	RING, RETAINING	1	
10	508665	COUPLER	1	
12	506142	MOUNT, VIBRATION MOTOR	1	
14	011208025	BOLT, 8X25T.....	6.....	REPLACES 508342
16	EM923023	WASHER, FLAT 5/16".....	6.....	REPLACES 492597
18	492264	BOLT, 3/8"X1"	6	
20	506141	SHOCK, MOUNT	3	
22	508340	STUD, M8X40	6	
24	EM923343	WASHER, LOCK 5/16.....	6.....	REPLACES 492623
26	020108060	NUT, M8.....	6.....	REPLACES 508341
28	514522	ROLLER, SUPPORT.....	1.....	RIGHT SIDE - FRONT
30	492276	BOLT 1/2" X 1-1/2"	8	
32	513283	HOSE, PROTECTION COVER	1	
34	513314	NUT 1/4" X 3/4"	12	
36	506220	MOTOR, HYDRAULIC	1	
40	492362	NUT 5/16" X 5/8"	4	
41	EM923343	WASHER, LOCK 5/16".....	4.....	REPLACES 492623
43	513337	HOSE	1	
45	513343	HOSE	1	
47	513342	HOSE	1	
78	EM963610	CAPSCREW 3/8" NC X 1-1/4" G8.....	6.....	REPLACES 492375
80	3019092	WASHER, FLAT 3/8".....	6.....	REPLACES 508346
82	517389	SHOCK MOUNT, 3" DIAMETER	6	
84	021110120	NUT, NYLON LOCK M10 ZINC 1.SP	6	
86	505977	PLATE, DRIVER	1	
88	505984	HUB	1	
90	EM503803	PINS, DOWEL.....	2.....	REPLACES 503803
92	515637	SUPPORT, ROLLER.....	1.....	LEFT SIDE - FRONT/REAR
94	EM924006	KEY, COTTER 1/8" X 2".....	1.....	REPLACES 491690
96	515396	MOTOR, HYDRAULIC	1	
98	505990	BOLT 1/2" X 2-1/2"	4	
100	515639	COVER	1	
124	505951	FITTING	2	
126	513332	FITTING	2	
128	515641	HOSE	1	
130	513344	HOSE	1	

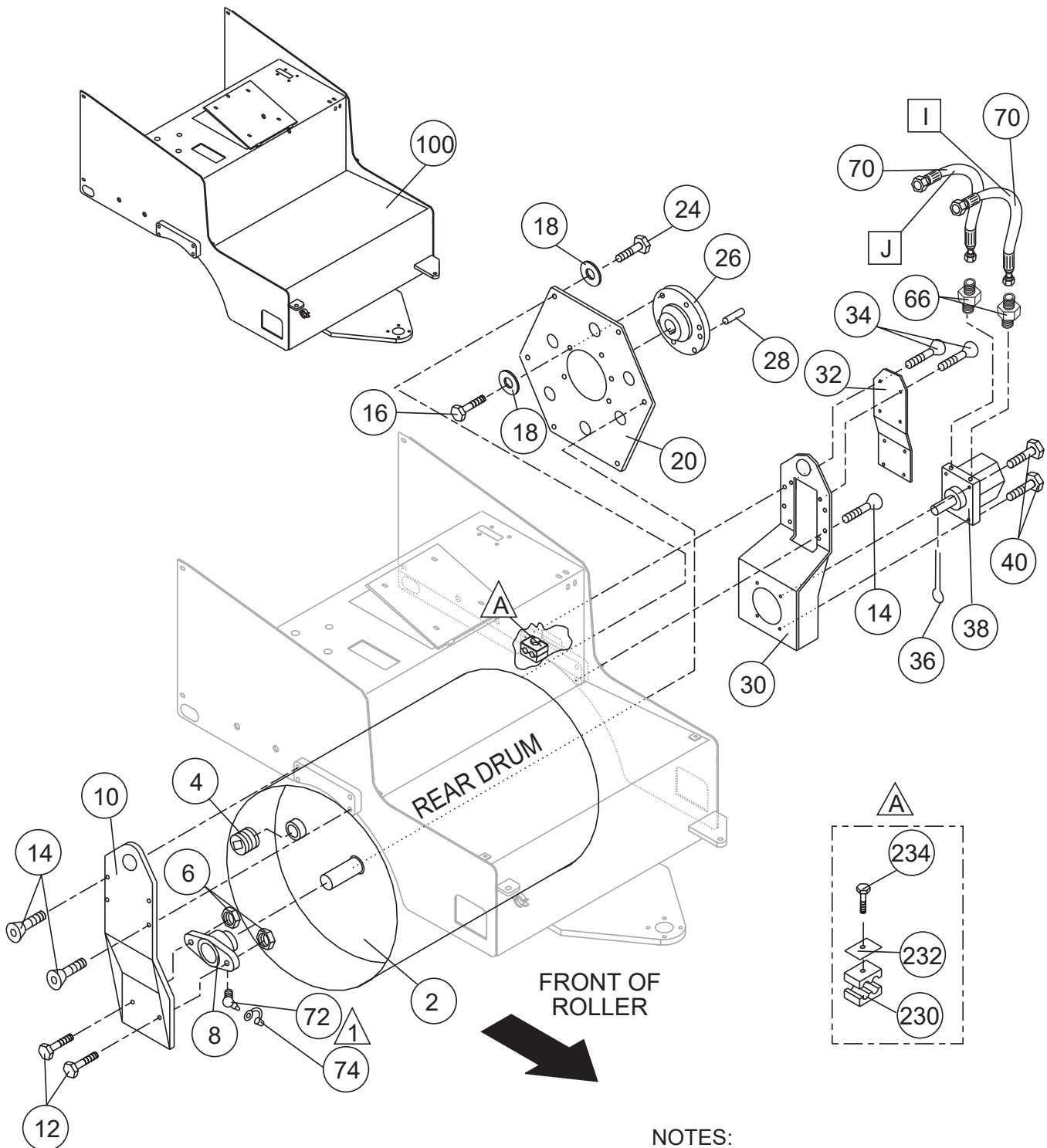
EXCITER ASSY.



EXCITER ASSY.

<u>NO.</u>	<u>PART NO.</u>	<u>PART NAME</u>	<u>QTY.</u>	<u>REMARKS</u>
44	EM963610	CAPSCREW, 3/8" NC X 1-1/4" G8	6.....	REPLACES 492375
46	3019092	WASHER, FLAT 3/8"	12.....	REPLACES 508346
48	513285	HOUSING, BEARING RIGHT	1	
52	EM927040	KEY, WOODRUFF 606	1.....	REPLACES 506250
54	492467	SCREW, ALLEN 5/16"	2	
58	EM963610	CAPSCREW, 3/8" NC X 1-1/4" G8	6.....	REPLACES 492375
60	506144	SEAL	1	
62	490964	RING, RETAINING	1	
64	506131	BEARING	2	
66	513418	EXCITER SHAFT	1	
70	506135	RING, RETAINING	2	
74	513286	OIL SEAL 65x100x9	2	
76	513287	HOUSING, BEARING LEFT	1	

REAR DRUM AND CHASSIS ASSY.



NOTES:

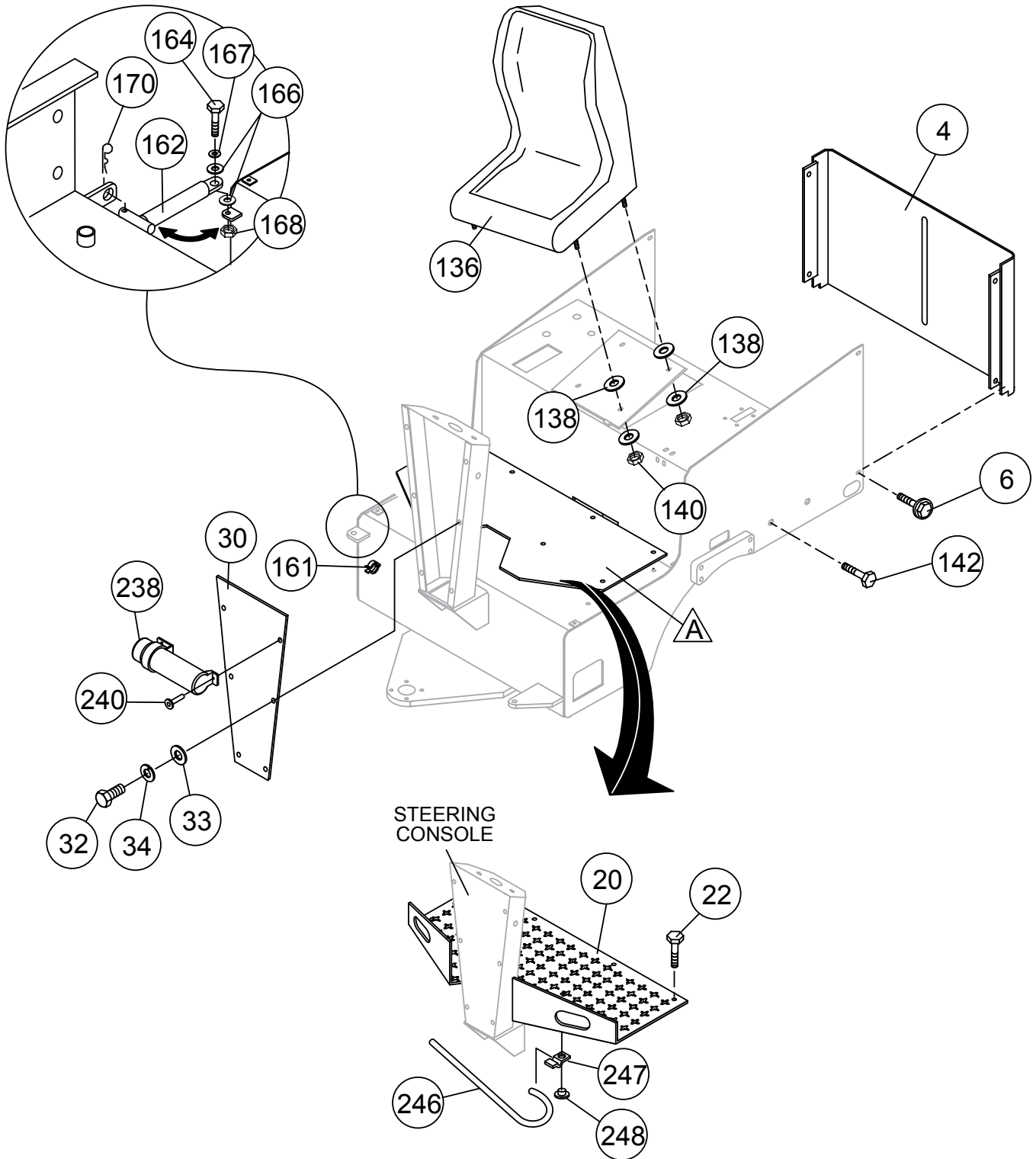
I J SEE HYDRAULIC HOSE CONNECTIONS IN OPERATION MANUAL.

1 ITEMS 72 AND 74 ARE INCLUDED WITH ITEM 8 (BEARING, FLANGE) AND CANNOT BE SOLD SEPARATELY.

REAR DRUM AND CHASSIS ASSY.

<u>NO.</u>	<u>PART NO.</u>	<u>PART NAME</u>	<u>QTY.</u>	<u>REMARKS</u>
2	513291	REAR DRUM	1	
4	505988	ALLEN PLUG	1	
6	492584	NUT, LOCK 1/2 IN.	1	
8	503735	BEARING, FLANGE	1	INCLUDES ITEMS W/ *
10	514523	SUPPORT, ROLLER.....	1	RIGHT SIDE - REAR
12	509165	BOLT, 1/2 NC x 2-1/4 IN. G5	1	
14	492276	BOLT, 1/2 NC x 1-1/2 IN. G5	8	
16	EM963610	CAPSCREW, 3/8 IN. NC x 1-1/4 IN. G5	6	
18	508346	LOCK WASHER 3/8 IN.	6	
20	505977	PLATE DRIVE	1	
24	EM963610	CAPSCREW, 3/8 NC x 1-1/4 IN. G8	6	REPLACES 492375
26	505984	HUB	1	
28	EM503803	PINS, DOWEL 3/8 x 1 IN.	2	
30	515637	REAR ROLLER SUPPORT, LEFT	1	LEFT SIDE - FRONT/REAR
32	515639	SUPPORT COVER	1	
34	513314	BOLT, 1/4 NC x 1/2 IN. G	12	
36	491689	KEY, COTTER 1/8 x 2 IN.	1	
38	515396	MOTOR, HYDRAULIC	1	
40	505990	BOLT, 1/2 NC x 2-1/2 IN. G	4	
66	505951	FITTING 8-10-F5OLO-S	2	
70	513349	HOSE	2	
72*		ZERK GREASE FITTING	1	NOT SOLD SEPARATELY
74*		ZERK CAP	1	NOT SOLD SEPARATELY
100	513266	REAR CHASSIS	1	

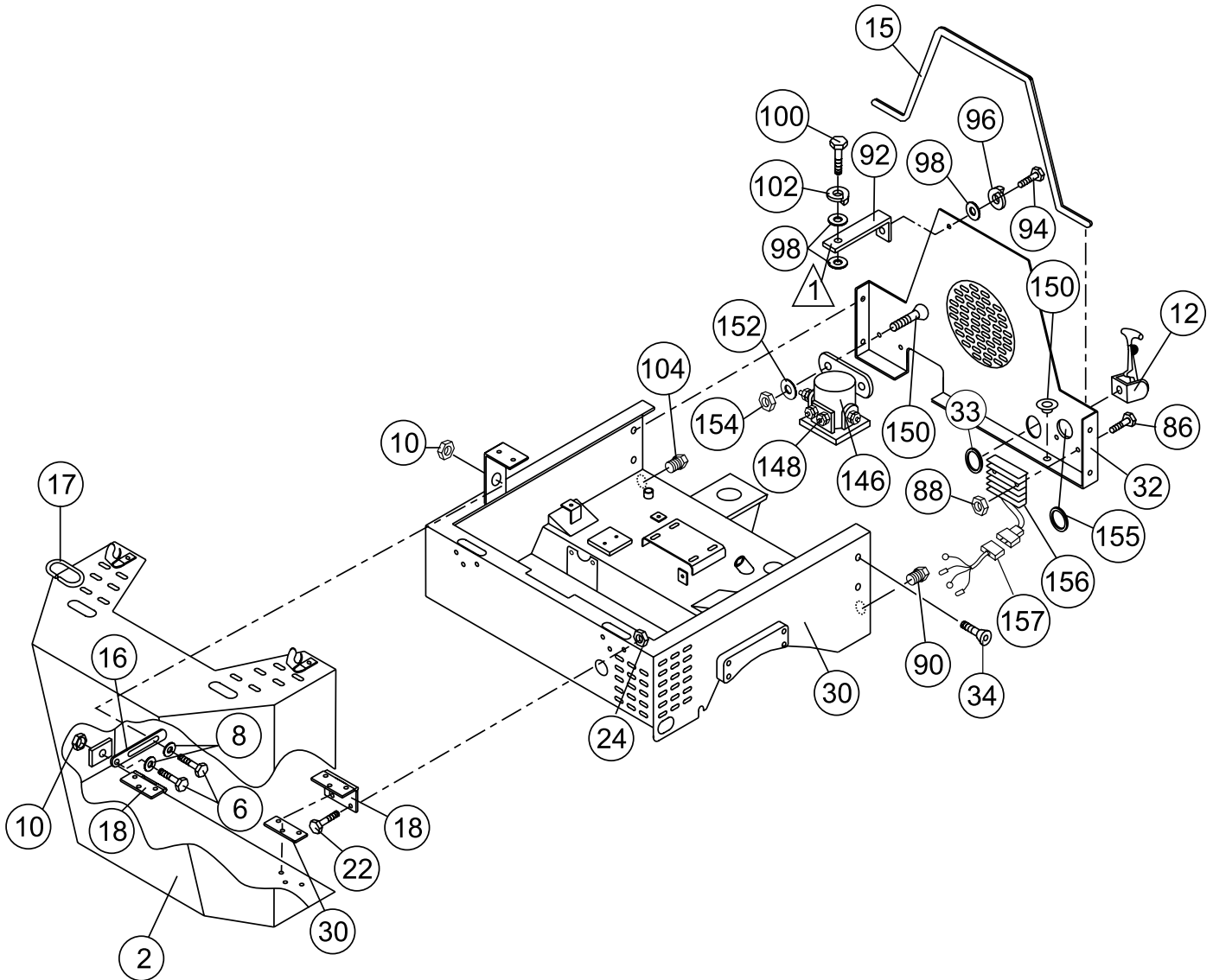
COVERS AND FRAME ARTICULATION LOCK ASSY.



COVERS AND FRAME ARTICULATION LOCK ASSY.

<u>NO.</u>	<u>PART NO.</u>	<u>PART NAME</u>	<u>QTY.</u>	<u>REMARKS</u>
4	513315	REAR WATER TANK COVER	1	
6	509177	BOLT 5/16 IN.	4	
20	515416	FLOOR PLATE/W ALUMINUM COVER	1	
22	509177	BOLT 5/16 X 5/8 IN.	10	
30	514243	COVER, STEERING COLUMN	1	
32	492363	BOLT 5/16 X 3/4 IN. NCG5	4	
33	505679	WASHER, FLAT 5/16 IN	4	
34	EM923343	WASHER, LOCK 5/16 IN	4.....	REPLACES 492623
136	507888	SEAT	1	
138	505679	NUT, 5/16"	8	
140	2105164	NUT, NYLON 5/16 IN. - 18.....	4.....	REPLACES 492582
161	513471	LOCK CLIP	4	
162	513328	LOCKING ARM	1	
164	492410	BOLT 5/8 NC x 2-1/2 IN. G5	1	
166	506167	WASHER, PLASTIC 5/8 IN.	2	
167	EM923023	WASHER, PLAIN 5/16 IN.	1.....	REPLACES 506109
168	EM969023	NUT, LOCK 5/8 IN.	1.....	REPLACES 492586
170	745	LOCK PIN	1	
238	23297	CONTAINER, MANUAL	1	
240	492259	SCREW, HHC 1/4 IN.- 20X12	2	
246	515415	ARM, FLOOR COVER	1	
247	511474	BRACKET, ARM	1	
248	503723	RIVET AM-54	1	

HOOD AND REAR PANEL ASSY.



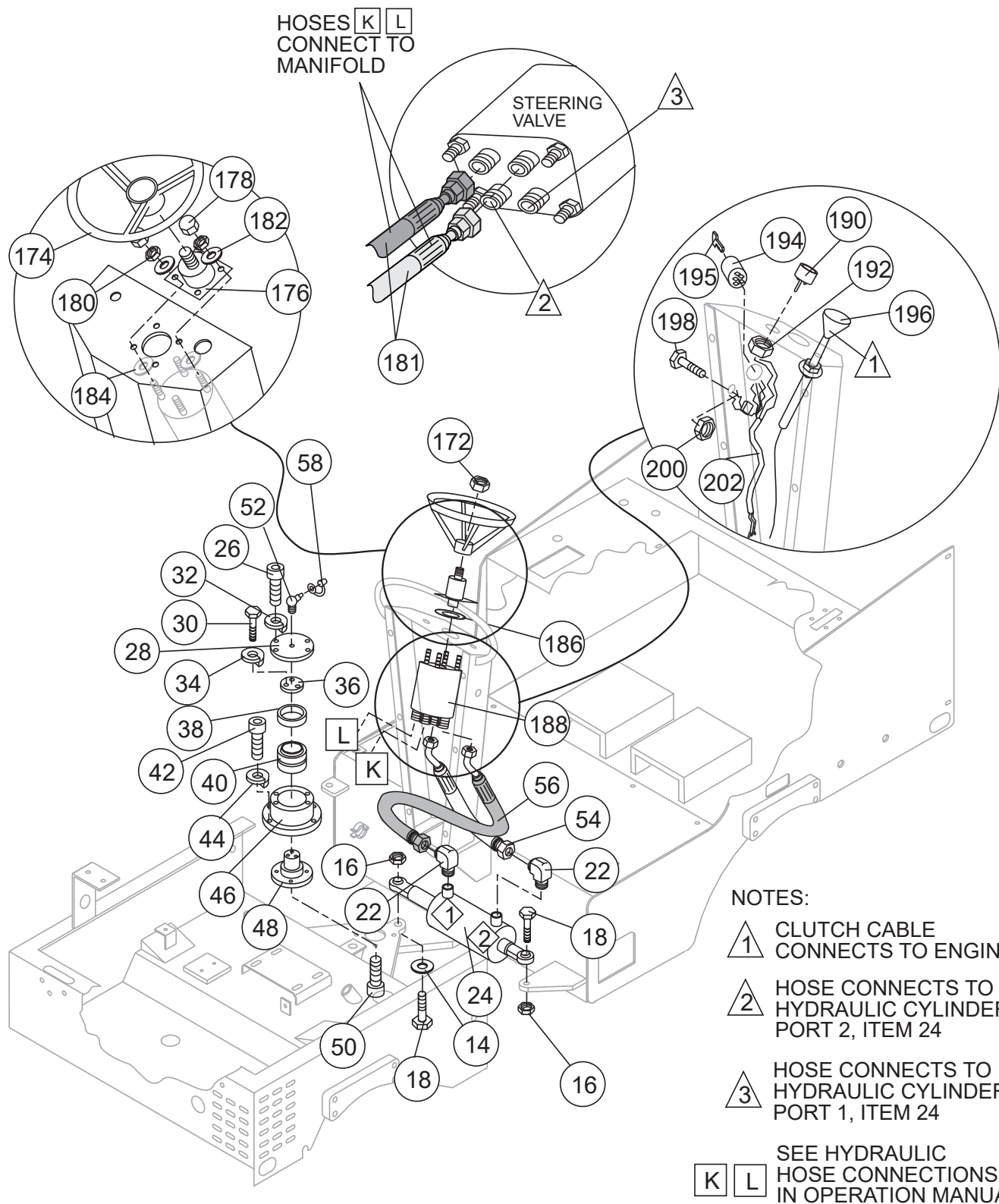
NOTES:

1 SECURE TO ENGINE

HOOD AND REAR PANEL ASSY.

<u>NO.</u>	<u>PART NO.</u>	<u>PART NAME</u>	<u>QTY.</u>	<u>REMARKS</u>
2	515096	HOOD	1	
6	492364	SCREW, HHC 5/16 X 18 X 1 IN.	2	
8	505679	FLAT WASHER 5/16 IN.	2	
10	2105164	NUT, NYLON 5/16- 18	2	REPLACES 492582
12	EM514610	LATCH KIT, STEEL	2	
13	503723	RIVET BRAKE LINING	13	
15	515199	SEAL RUBBER	1	
16	513305	HINGE, SLOTTED	1	
18	514438	LATCH KIT (HOOD)	1	
22	492356	BOLT 1/4 X 3/4 IN.	12	
24	492581	NUT 1/4 IN.	12	
30	513396	FRONT CHASSIS	1	
32	513308	REAR ENGINE COVER	1	
33	13212	GROMMET, 1-1/4 IN. ID	1	
34	513309	BOLT 5/16 X 3/4 IN.	4	
86	513312	BOLT 1/4 X 1 IN.	2	
88	492581	NUT 1/4 IN.	2	
90	490181	SIGHT GLASS	1	
92	513313	SUPPORT REAR ENGINE COVER	1	
94	492356	BOLT 1/4 X 3/4 IN.	1	
96	2101402	WASHER, LOCK 1/4 IN.	1	REPLACES 492622
98	492596	FLAT WASHER 1/4 IN.	3	
100	011208025	BOLT 8 X 25T DCA-85,125,150SSM.....	1	REPLACES 508342
102	EM923343	WASHER, LOCK 5/16 IN.	1	REPLACES 492623
104	506205	PLUG	1	
146	506273	SOLENOID, STARTER	1	
148	510925	NUT 3/16 IN.	2	
150	513314	BOLT 1/4 X 1/2 IN.	2	
152	492596	FLAT WASHER 1/4 IN.	2	
154	492581	NUT 1/4 IN.	2	
155	506085	GROMMET	1	
156	31750Z2E8020	RECTIFIER ASSY, REGULATOR , 20A	1	
157	32105Z6LA002	SUB-WIRE HARNESS ASSY.	1	

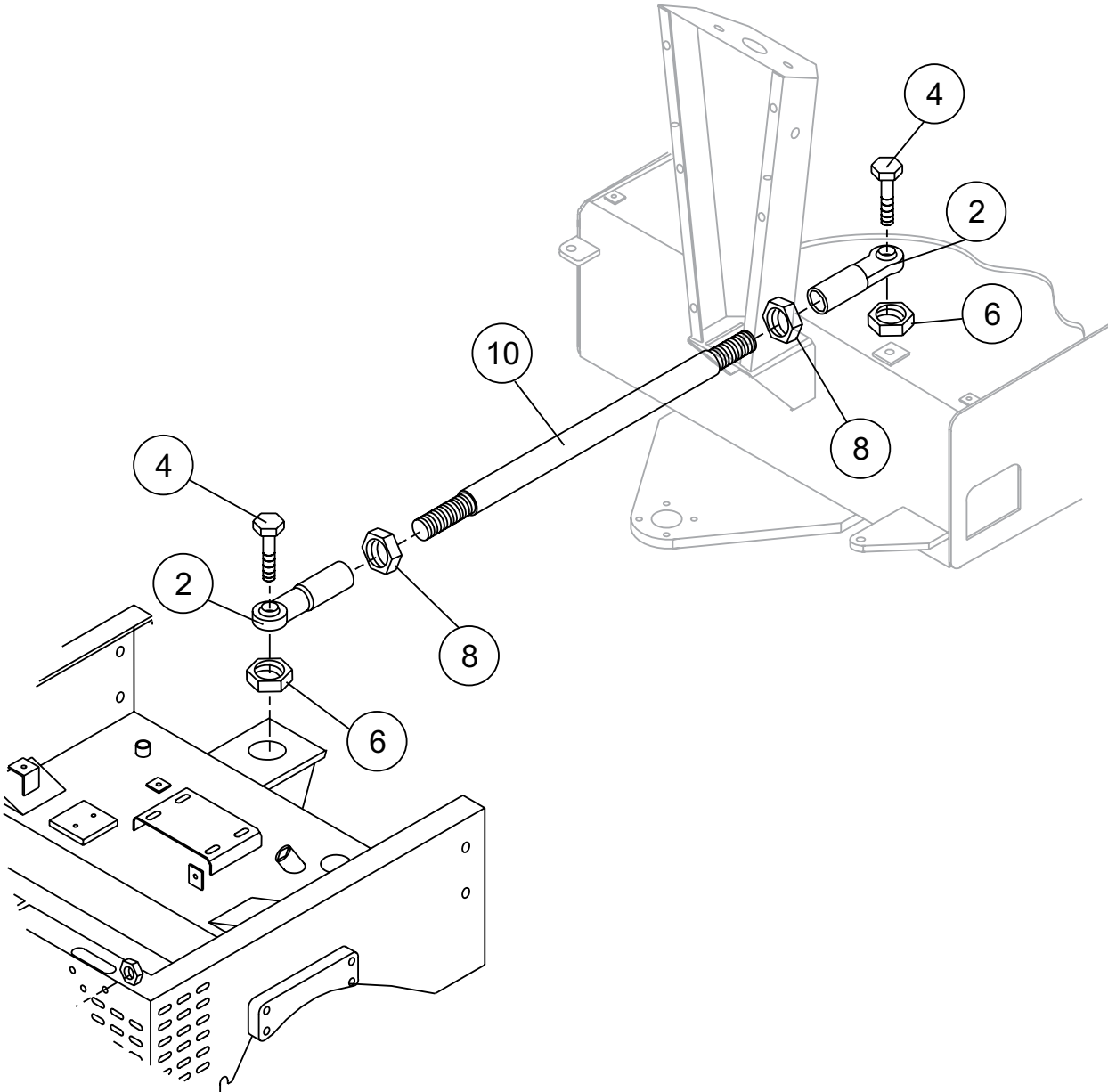
STEERING COLUMN AND HYDRAULIC ARTICULATION ASSY.



STEERING COLUMN AND HYDRAULIC ARTICULATION ASSY.

<u>NO.</u>	<u>PART NO.</u>	<u>PART NAME</u>	<u>QTY.</u>	<u>REMARKS</u>
14	EM923348	WASHER, LOCK 5/8 IN.	2	
16	EM969023	NUT, LOCK 5/8 IN.....	2	REPLACES 492586
18	492412	BOLT 5/8" UNC X 3	2	
22	506196	ELBOW FITTING	2	
24	513297	CYLINDER, STEERING	1	
26	513298	BOLT 1/2 IN. NC x 1 IN. G	4	
28	513299	COVER, ARTICULATING JOINT	1	
30	EM963055	HEX HEAD CAPSCREW 3/8 IN. x 3/4 IN.	3	REPLACES 492373
32	6109180	WASHER, LOCK 1/2" DIAMETER.....	4	REPLACES 492626
34	0166A	WASHER, LOCK 3/8" DIAMETER.....	3	REPLACES 492624
36	513300	RETAINER PLATE	1	
38	513301	SPACER	1	
40	506164	BEARING	1	
42	492276	BOLT 1/2 IN. NC x 1-1/2 IN. G	4	
44	6109180	WASHER, LOCK 1/2 IN.	4	REPLACES 492626
46	513302	BASE, ARTICULATING JOINT	1	
48	513303	ARTICULATING JOINT	1	
50	492276	BOLT 1/2 IN. NC x 1-1/2 IN. G	4	
52	491701	ZERK FITTING	1	
54	513350	HOSE, 9	1	
56	513348	HOSE, 16	1	
58	491008	GREASE COVER	1	
172	598156	NUT	1	
174	518728	WHEEL, STEERING	1	
176	507862	STEERING COLUMN	1	
178	506265	NUT 5/16 IN.	4	
180	509143	NUT 5/16 IN.	4	
181	513346	HOSES K AND L	2	
182	508344	WASHER 5/16 IN.	4	
184	508335	BUSHING	4	
186	509190	WASHER 3/4 IN.	1	
188	506186	HYDRAULIC VALVE	1	
190	506222	HOUR METER	1	
192	503119	NUT, LOCK 3/16"	1	
194	10958	SWITCH, STARTER	1	
195	11078	KEY, IGNITION	1	
196	506239	CABLE CHOKE	1	
198	503958	BOLT 1/4 IN. x 5/8 IN. G5	1	
200	EM969079	NUT 1/4 IN.....	1	REPLACES 492581
202	515423	HARNESS, WIRING	1	

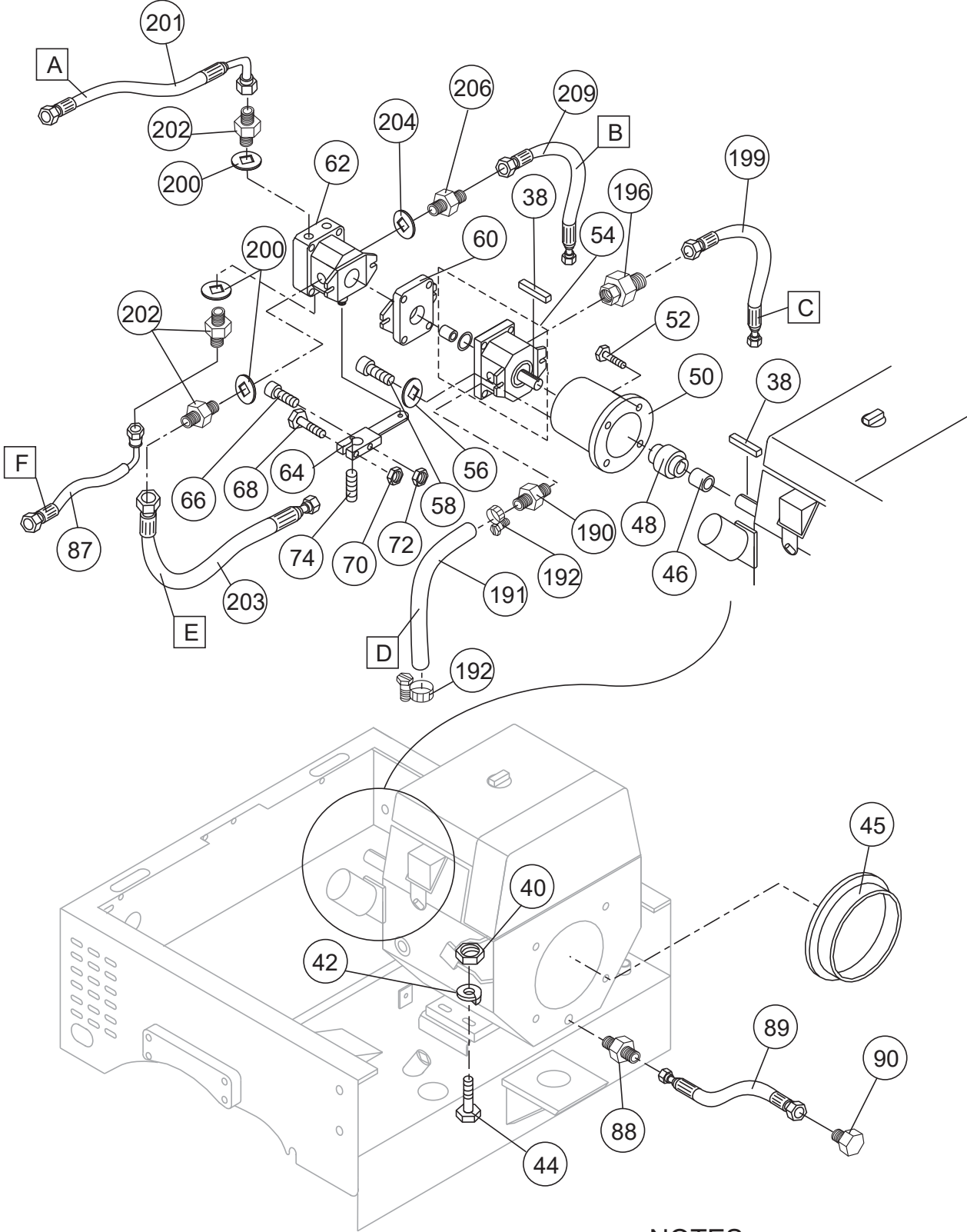
ARTICULATION ARM ASSY.



ARTICULATION ARM ASSY.

<u>NO.</u>	<u>PART NO.</u>	<u>PART NAME</u>	<u>QTY.</u>	<u>REMARKS</u>
2	513294	ROD END	2	
4	514347	BOLT 3/4 IN. x 2-1/2 IN.	2	
6	EM505069	NUT 3/4 IN.	2	
8	513295	NUT 3/4 IN.	2	
10	513296	ROD, DIRECTION STABILIZER	1	

HYDRAULIC DRIVE PUMP ASSY.



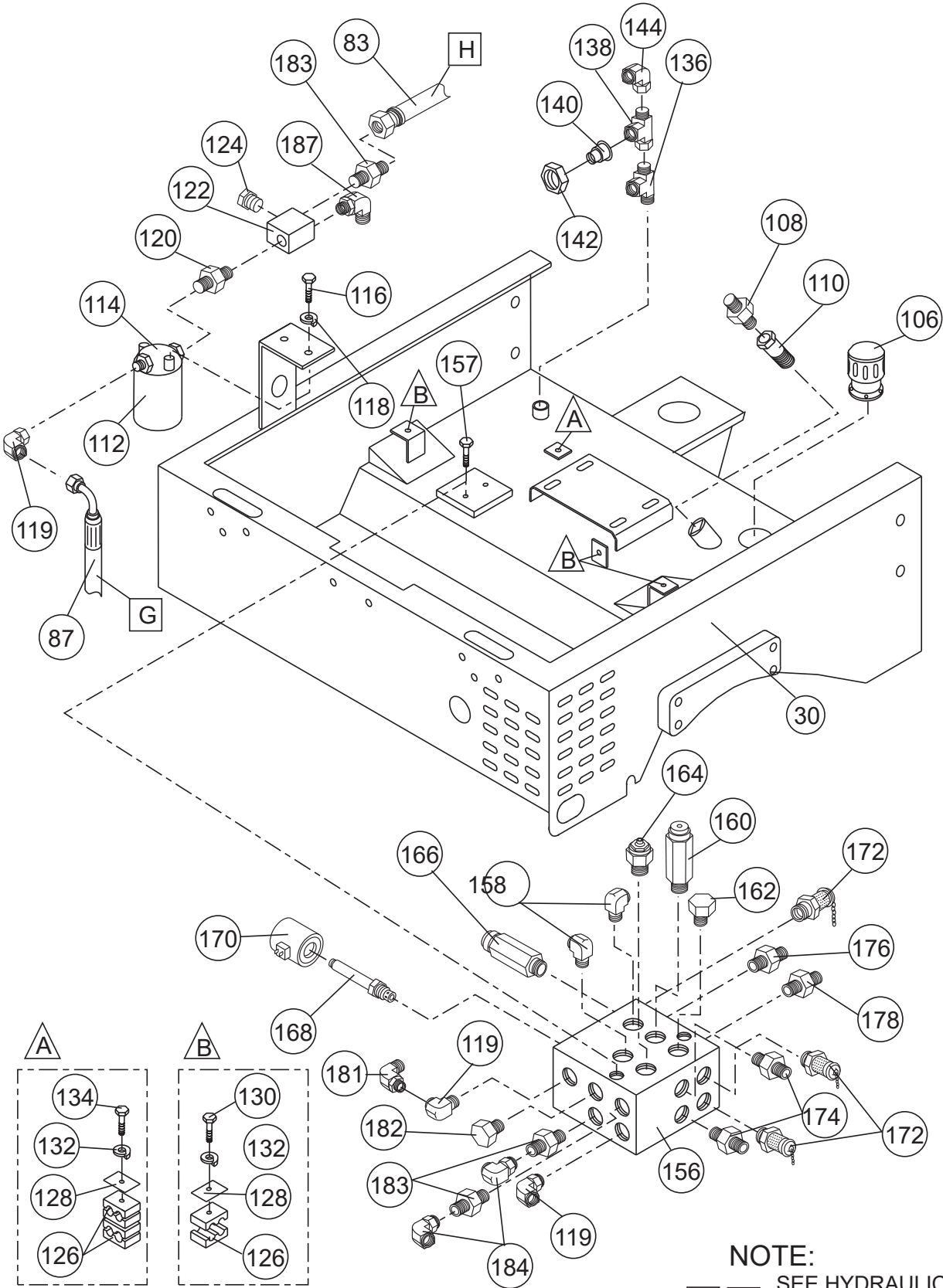
NOTES

- | | | | |
|---|---|---|--|
| A | C | A | SEE HYDRAULIC HOSE CONNECTIONS IN OPERATION MANUAL |
| B | D | B | |

HYDRAULIC DRIVE PUMP ASSY.

<u>NO.</u>	<u>PART NO.</u>	<u>PART NAME</u>	<u>QTY.</u>	<u>REMARKS</u>
38	500214	KEY SQUARE	1	
40	EM969013	NUT LOCK 3/8 IN.	4	REPLACES 492583
42	3019092	WASHER, FLAT 3/8 IN.	8	REPLACES 492598
44	EM963059	BOLT 3/8 X 2 IN.	4	REPLACES 492379
45	513352	RUBBER RING 1/2 X 1/2 IN.	1	S/N 101201 AND BELOW
46	506234	SPACER	1	
48	506235	COUPLER	1	
50	506236	ALUMINUM ADAPTER	1	
52	EM963610	CAPSCREW 3/8 NCX 1-1/4 IN. GS.	4	REPLACES 492376
54	507845	PUMP, STEERING	1	
56	EM508346	WASHER 3/8 IN.	2	REPLACES 508346
58	EM175	BOLT 3/8-16 X 1-1/4 SC HD	2	
60	507860	ADAPTER, STEERING PUMP	1	
62	506187	HYDRAULIC PUMP	1	
64	513310	SHIFT LEVER	1	
66	509144	BOLT 3/16 X 1-3/4 IN.	1	
68	492367	BOLT 5/16 X 1-3/4 IN.	1	
70	2105164	NUT, NYLON 5/16 IN. - 18.	1	REPLACES 492582
72	503119	NUT, LOCK 3/16 IN.	1	
74	492465	SCREW ALLEN HEAD 1/4 - 20 X 3/8 IN.	1	
87	513335	HOSE	2	
88	513618	ADAPTOR	1	
89	513620	HOSE, DRAIN	1	
90	513619	PLUG	1	
190	506217	FITTING 3/4 IN.	1	
191	513340	HOSE	1	
192	506207	HOSE CLAMP, HS-16	2	
196	506203	FITTING	1	
199	513338	HOSE	1	
200	508427C	COPPER WASHER 21/32 IN.	3	
201	513333	HOSE	1	
202	508343	FITTING	3	
203	513339	HOSE	1	
204	508428C	COPPER WASHER 5/8 IN.	1	
206	506219	FITTING 1/2 IN.	1	
208	506200	FITTING 3703-08-08	1	
209	513336	HOSE	1	

MANIFOLD AND HYDRAULIC OIL FILTER ASSY.

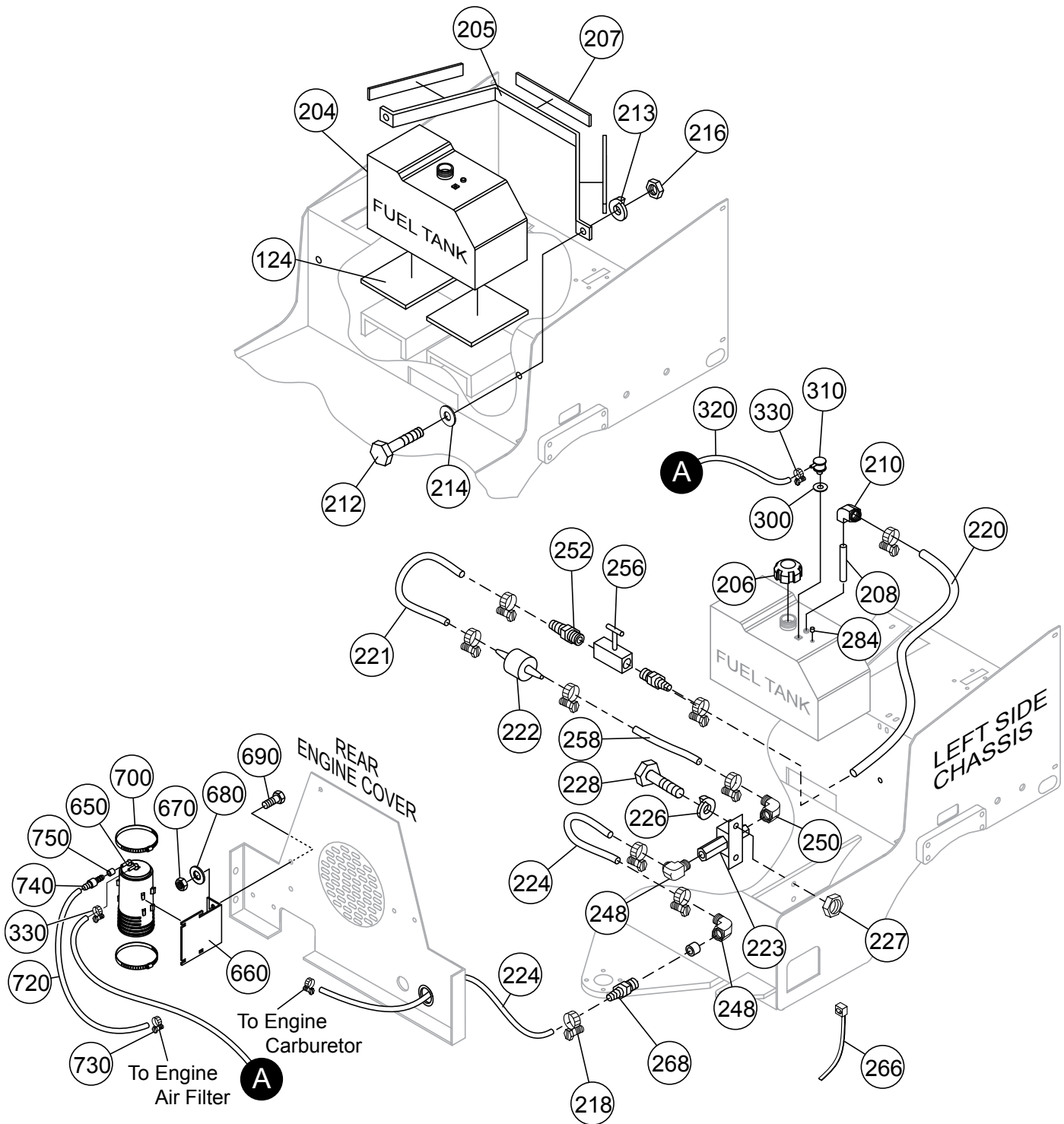


NOTE:
 SEE HYDRAULIC HOSE CONNECTIONS IN OPERATION MANUAL

MANIFOLD AND HYDRAULIC OIL FILTER ASSY.

<u>NO.</u>	<u>PART NO.</u>	<u>PART NAME</u>	<u>QTY.</u>	<u>REMARKS</u>
83	513334	HOSE	1	
87	513335	HOSE	2	
106	507278	HYDRAULIC TANK CAP	1	
108	506218	STRAIGHT FITTING 3/4"	1	
110	506221	FILTER, GAS	1	
112	508667	OIL FILTER	1	
114	508664	FILTER, HEAD	1	
116	492357	SCREW HHC 1/4- 20X12	2	
118	2101402	WASHER, LOCK 1/4"	2	REPLACES 492622
119	EM25507	FITTING	3	
120	506204	FITTING	1	
122	506244	BLOCK FILTER M10	1	
124	508670	VALVE CHECK	1	
126	505976	CLAMP 3/4	5	
128	506185	PLATE CORNER	4	
130	492367	SCREW, HHC5/16"-18X1-3/4"	3	
132	EM923343	WASHER, LOCK 5/16"	4	REPLACES 492623
134	492371	BOLT 5/16" LOCK	1	
136	506201	FITTING, TEE	1	
138	506202	FITTING	2	
140	506206	FITTING	1	
142	508472	FITTING	1	
144	506195	FITTING	1	
156	515502	MANIFOLD	1	
157	508814	BOLT 5/16"X3-1/4"	2	
158	506192	FITTING	2	
160	507774	VALVE RELIEF, 500 PSI	1	
162	507772	PLUG	1	
164	506247	VALVE, NEEDLE	1	
166	506246	VALVE, RELIEF, 2000 PSI	1	
168	506245	VALVE, SOLENOID	1	
170	507885	12 VOLT COIL SOLENOID	1	
172	506182	COUPLING PSI TEST	3	
174	506190	FITTING	2	
176	511808	ADAPTER, STRAIGHT	2	
178	506190	FITTING	2	
181	506195	FITTING	1	
182	506205	PLUG	1	
183	506193	FITTING	4	
184	506195	FITTING	2	

FUEL TANK ASSY.

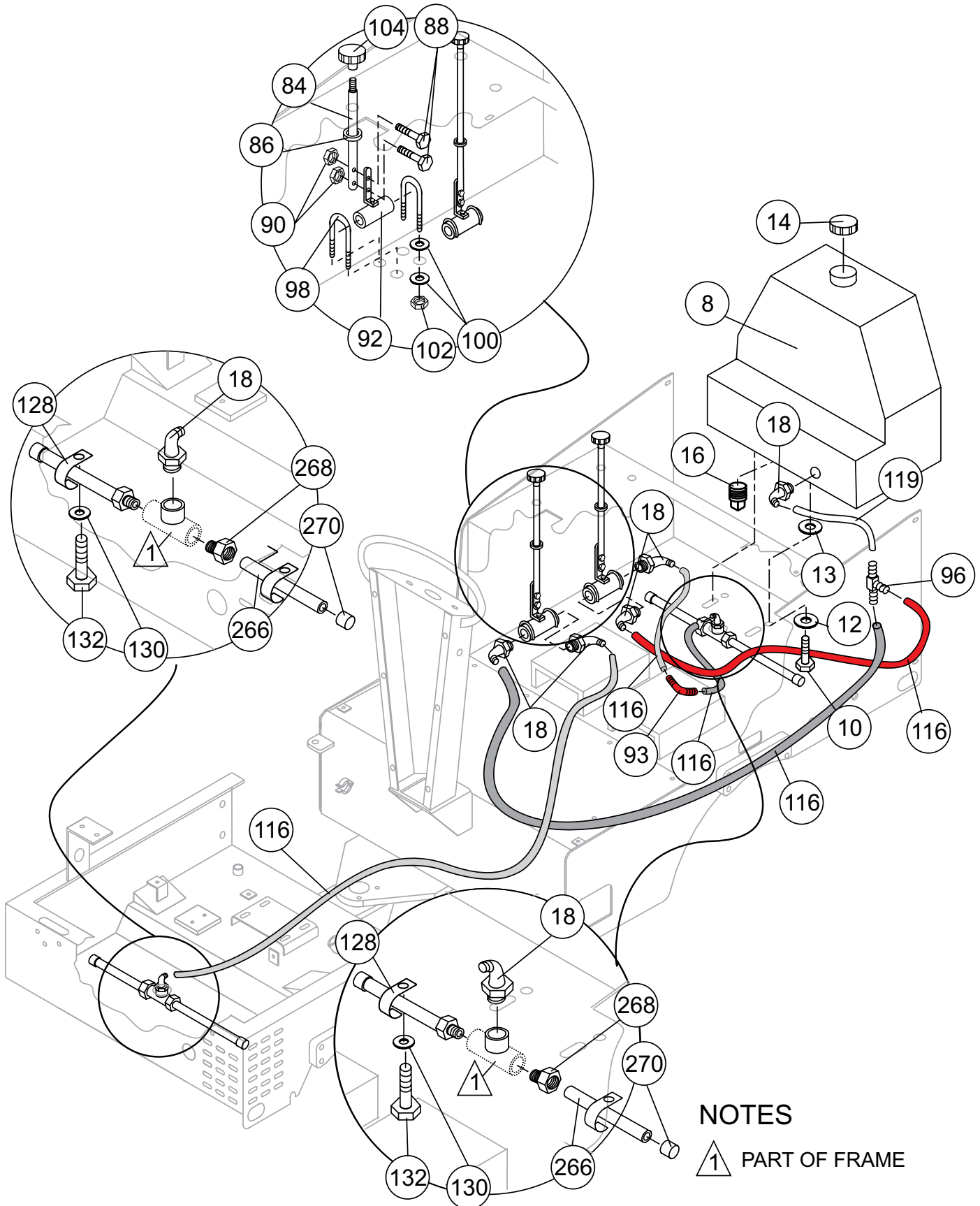


FUEL TANK ASSY.

<u>NO.</u>	<u>PART NO.</u>	<u>PART NAME</u>	<u>QTY.</u>	<u>REMARKS</u>
94	513314	BOLT, 1/4" NC X 3/4" G	1	
124	508302	PAD, RUBBER TANK	2	
204	520831	FUEL TANK, STEEL EPA REQ.	1	
205	514467	BRACKET, FUEL TANK SUPPORT	1	
206	23514	CAP, FUEL EPA	1	
207	514840	PAD, RUBBER BRACKET 4 x 36 x 10 mm	1.7	
208	505594	FLEX TUBE 5/16 IN.	1	
210	514560	ADAPTER, 129HB-5-4	1	
212	492364	BOLT 5/16 NC x 1 IN. G5	2	
213	492623	WASHER, LOCK 5/16 IN.	2	
214	492597	WASHER, FLAT 5/16 IN.	2	
216	492553	NUT, HEX 5/16 IN.	2	
218	506208	CLAMP HS-4	8	
220	520612	HOSE 4FLH 5/16 IN.	AR*	
221	520612	HOSE 1/4 IN.	AR*	
222	352431090	FILTER, FUEL.....	1.....	REPLACES EM20763
223	516450	PUMP, FUEL	1	
224	520611	HOSE 1/4 IN.	AR*	
226	492622	WASHER, LOCK 1/4 IN.	2	
227	492561	NUT, HEX 1/4 IN.	2	
228	492357	BOLT 1/4 NC x 1 IN. G5	2	
230	505976	CLAMP 3/4	1	
248	EM20426	ADAPTOR, ELBOW	2	
250	514559	ADAPTOR, ELBOW	1	
252	512731	ADAPTOR	2	
256	512722	FUEL SHUT-OFF VALVE	1	
258	520612	HOSE 1/4 IN.	AR*	
266	491028	WRAP CABLE TIE	1	
268	511778	ADAPTER	1	
284	491210	PLUG, TANK 1/4 IN.	1	
300	23507	GROMMET, FUEL VALVE	1	
310	23509	FUEL VALVE	1	
320	520833	HOSE, 3/16" EPA	AR*	
330	517621	STAPLE, DOUBLE METAL #178	1	
650	23506	CANNISTER, CHARCOAL 800 CC	1	
660	801006	SUPPORT, CANNISTER	1	
670	492581	NUT, 1/4" NC	2	
680	492596	WASHER, FLAT 1/4"	2	
690	513312	BOLT, 1/4" NC X 1" G	2	
700	493108	CLAMP, HS-60	3	
720	520612	HOSE, 5/16" EPA	AR*	
730	515468	CLAMP, HS-6	1	
740	800416	ADAPTER 5/16" TO 3/16"	1	
750	520833	HOSE, 3/16" EPA	AR*	

* — AS REQUIRED

WATER TANK ASSY.



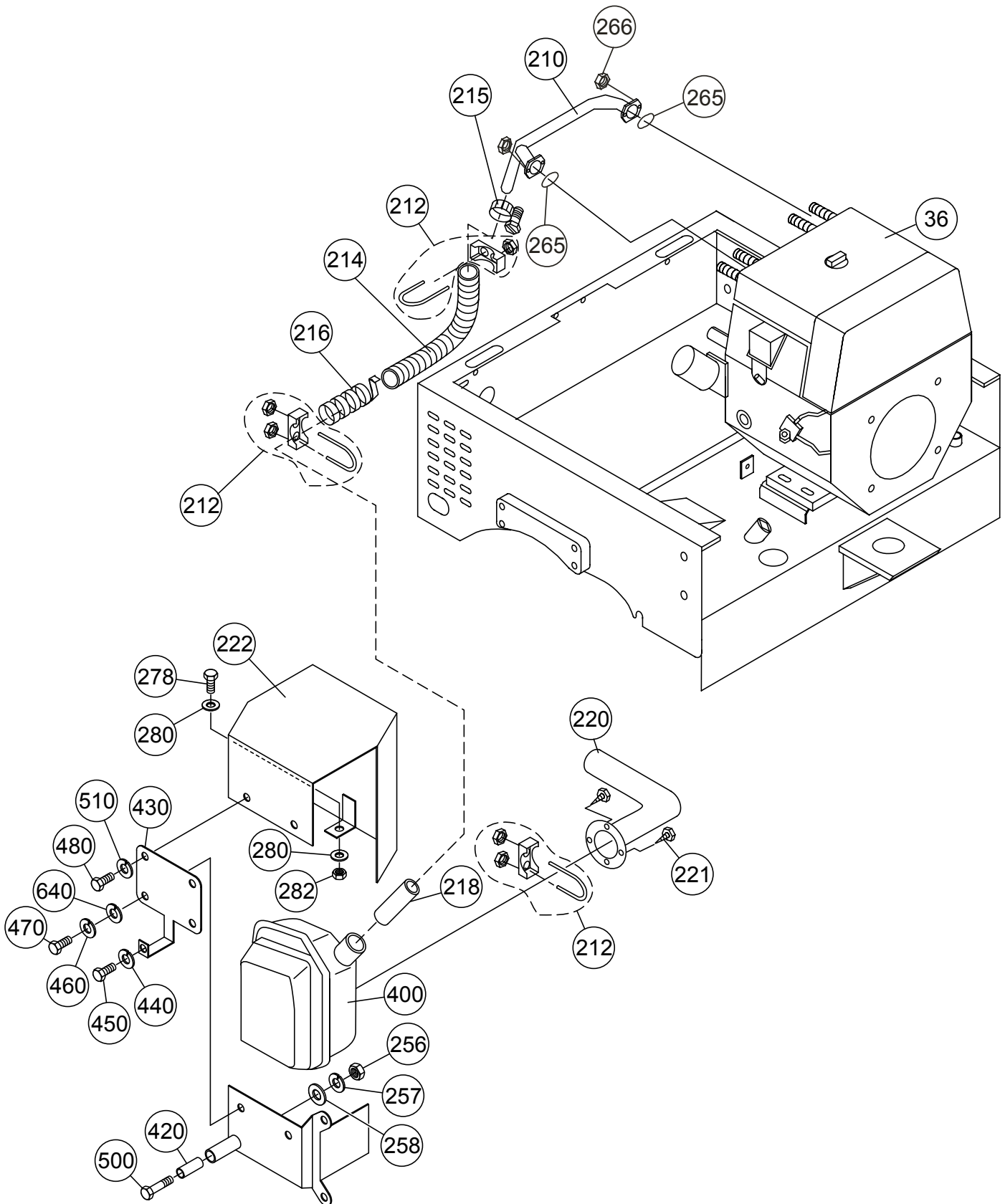
NOTES

△ 1 PART OF FRAME

WATER TANK ASSY.

<u>NO.</u>	<u>PART NO.</u>	<u>PART NAME</u>	<u>QTY.</u>	<u>REMARKS</u>
8	513316	WATER TANK	1	
10	EM963055	BOLT 3/8"X3/4"	1	REPLACES 492373
12	3019092	WASHER, FLAT 3/8" SPECIAL.....	1	REPLACES 492598
13	0166A	WASHER, LOCK 3/8"	1	REPLACES 492624
14	509249	WATER TANK CAP	1	
16	506094	PLUG 1/2" NPT GALVANIZED	1	
18	506071	ELBOW PVC	7	
84	513321	WATER VALVE EXTENSION	1	
88	492358	BOLT 1/4" NC x 1-1/4" G5	4	
90	492581	NUT1/4"	4	
92	513322	VALVE, BALL	2	
93	813351	ELBOW 90G 1/2" NYLON	1	
94	513379	"T" ADAPTER	1	
98	506086	U- BOLT 3/8"	4	
100	3019092	WASHER, FLAT. 3/8".....	16	REPLACES 492598
102	508435	LOCK NUT	8	
104	503015	KNOB, HANDLE ADJ.	2	
116	504163	HOSE 1/2"	1	
118	504163	HOSE 1/2"	1	
119	504163	HOSE 1/2"	1	
120	504163	HOSE 1/2"	1	
122	504163	HOSE 1/2"	1	
128	506084	CLAMP	4	
130	505679	NUT 5/16"	4	
132	505401	SCREW, HHC 5/16"- 18X1/2"	4	
266	506072	PVC TUBE	4	
268	506074	MALE ADAPTER	4	
270	508610	CAP	4	

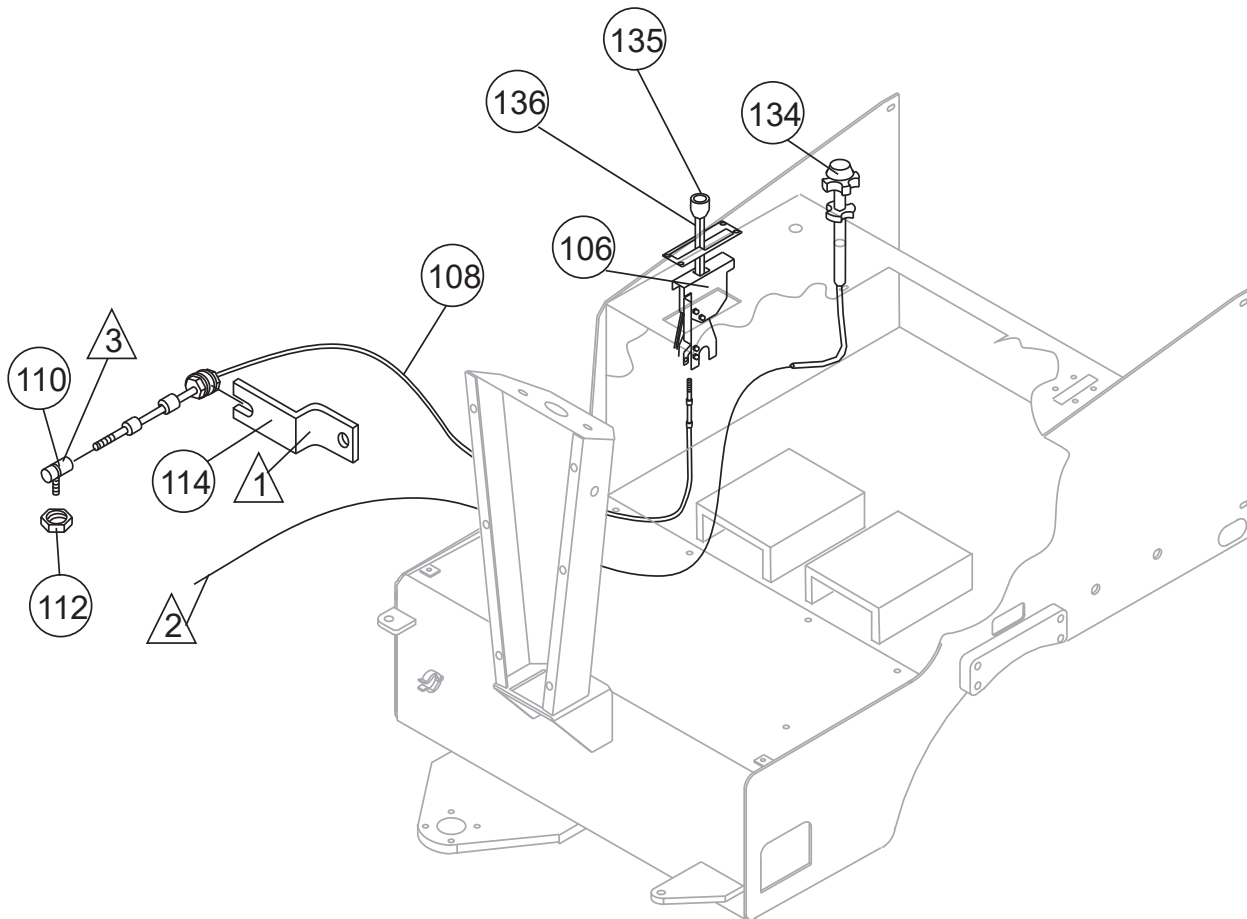
ENGINE AND MUFFLER ASSY.



ENGINE AND MUFFLER ASSY.

<u>NO.</u>	<u>PART NO.</u>	<u>PART NAME</u>	<u>QTY.</u>	<u>REMARKS</u>
36	GX630RQZB2	ENGINE, HONDA 20 HP	1	
210	513449	MUFFLER PIPE (MODIFIED)	1	
212	506257	U- BOLT ASSY. 1-1/2"	3	
214	514711	TUBE 1.25" FLEX	1	
215	506207	HOSE CLAMP HS-16	2	
216	510718	HEAT WRAP 2"x1/16"	1	
218	513447	EXTENSION MUFFLER PIPE	1	
220	520308	ELBOW, EXHAUST FLANGED	1	
221	514540	RIVET, POP STEEL	4	
222	520288	DEFLECTOR, EXHAUST	1	
256	492553	NUT, HEX 5/16" NC	1	
257	492623	WASHER, LOCK 5/16"	1	
258	505679	WASHER, FLAT 5/16"	1	
265	18333ZJ1000	GASKET, MUFFLER	2	
266	9405008000	NUT	4	
278	492357	BOLT, 1/4"NC X 1" G5	1	
280	492596	WASHER, FLAT 1/4"	2	
282	492581	NUT, 1/4" NC	1	
400	520271	MUFFLER VHSM6	1	
420	520437	MUFFLER BASE EXTENSION	1	
430	520429	SUPPORT GUIDE	1	
440	505679	WASHER, FLAT 5/16"	1	
450	492364	BOLT 5/16" NC X 1" G5	1	
460	492596	WASHER, FLAT 1/4"	2	
470	DULT100256	BOLT M6 X 25 P=1 GALVANIZED	2	
480	492364	BOLT 5/16" NC X 1"G5	2	
500	492371	BOLT 5/16" NC X 3"G5	1	
510	492623	WASHER, LOCK 5/16"	2	
640	492622	WASHER, LOCK 1/4"	2	

THROTTLE ASSY.



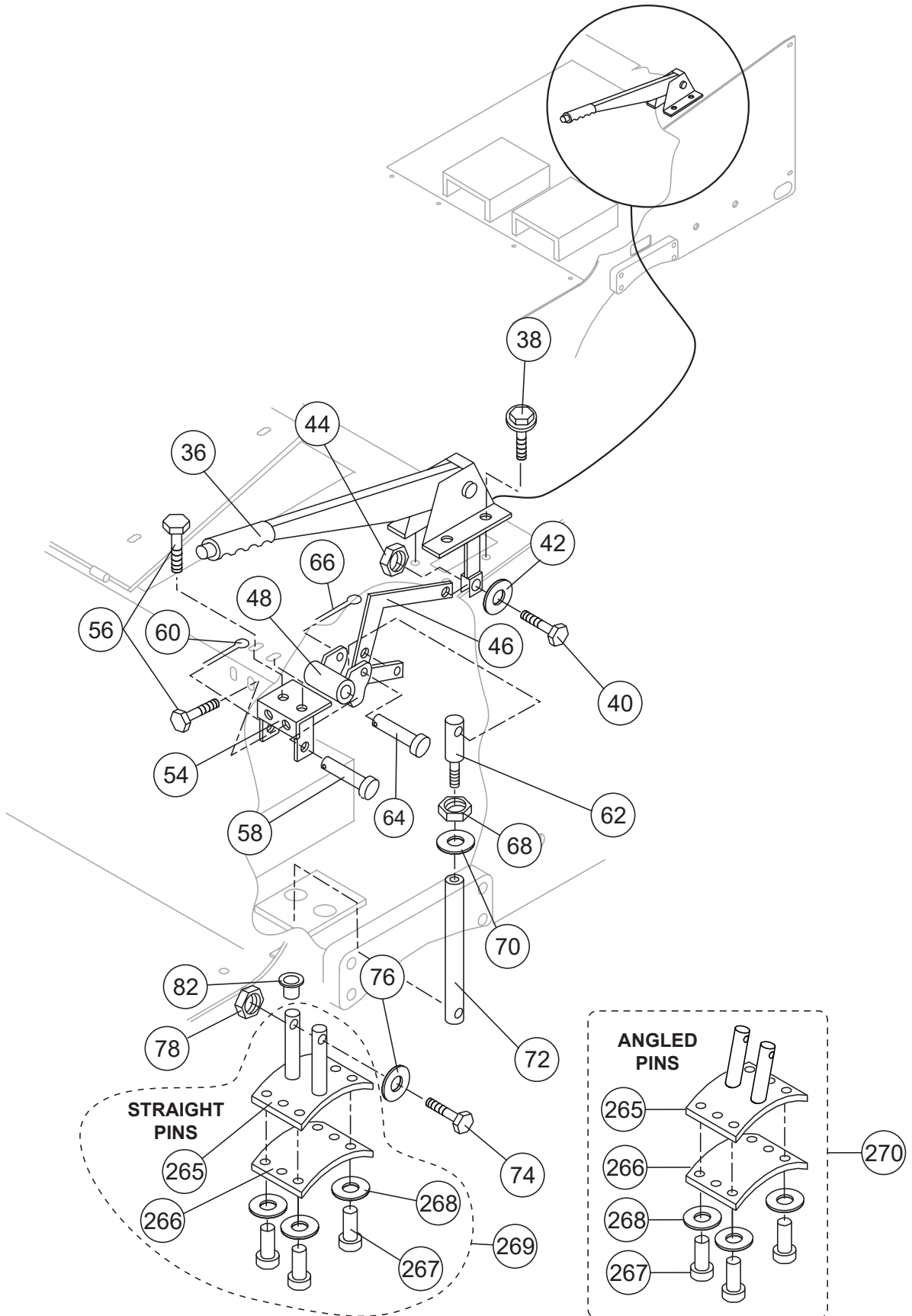
NOTES:

- ① ITEM 114 BOLTS TO ENGINE
- ② THROTTLE CABLE CONNECTS TO ENGINE
- ③ ITEM 110 CONNECTS TO ITEM 64, SEE HYDRAULIC DRIVE PUMP ASSY.

THROTTLE ASSY.

<u>NO.</u>	<u>PART NO.</u>	<u>PART NAME</u>	<u>QTY.</u>	<u>REMARKS</u>
106	513323	TRAVEL LEVER (FWD/REV)	1	
108	513324	CABLE, FORWARD/REVERSE	1	
110	514742	JOINT BALL	1	
112	508451	LOCK NUT 1/4" - 28 NF	1	
114	513325	ADVANCE CABLE SUPPORT	1	
134	510229	CABLE THROTTLE ASSEMBLY	1	
135	G201	KNOB HANDLE	1	
136	DA1252	LEVER HANDLE	1	

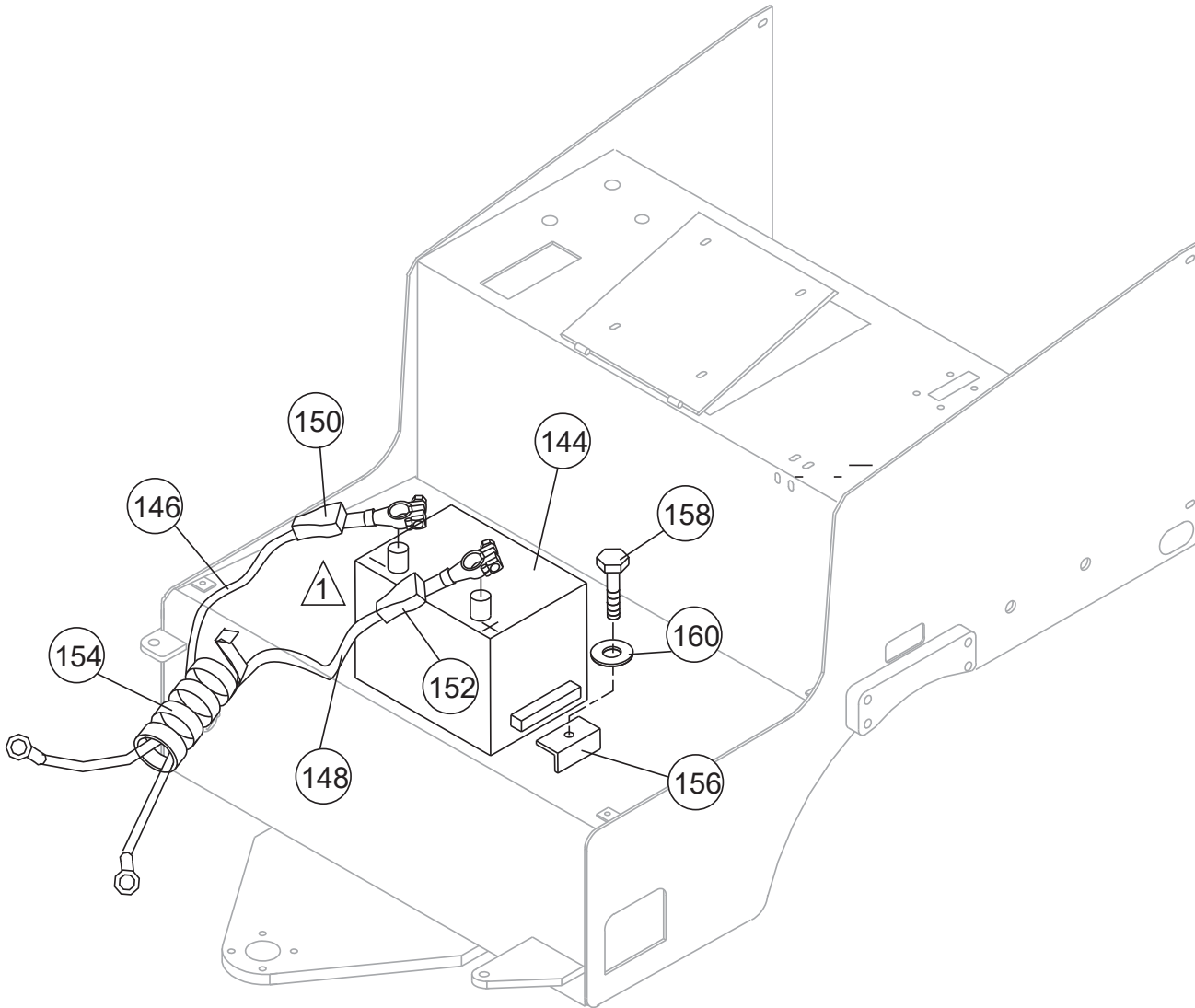
BRAKE CONTROL ASSY.




BRAKE CONTROL ASSY.

<u>NO.</u>	<u>PART NO.</u>	<u>PART NAME</u>	<u>QTY.</u>	<u>REMARKS</u>
36	506046	LEVER, BRAKE	1	
38	506158	BOLT 5/16" NC x 3/4" G5	4	
40	492365	BOLT 5/16" NC x 1/1/4" G5	1	
42	EM923023	WASHER, FLAT 5/16"	2.....	REPLACES 492597
44	2105164	NUT, NYLON 5/16"- 18	1.....	REPLACES 492582
46	506057	BRAKE LINK	1	
48	505999	BELL CRANK	1	
50	EM963097	BOLT 3/8" NC x 1/1/2" G5	1.....	REPLACES 492313
52	EM969013	NUT, LOCK 3/8"	1.....	REPLACES 492583
56	508674	BOLT 5/16" NC x 1" G5	4	
58	506042	PIN, CLEVIS	1	
66	2219	KEY, COTTER	1	
68	492570	NUT, HEX 5/8"	1	
70	EM923348	WASHER, LOCK 5/8"	1.....	REPLACES 492627
72	508449	BRAKE ROD	1	
74	508619	BOLT, HEX HEAD 3/8" NCX4"	1	
76	3019092	WASHER, FLAT 3/8"	2.....	REPLACES 492598
78	EM969013	NUT, LOCK 3/8"	1.....	REPLACES 492583
82	506001	BUSHING, PLASTIC	1	
265@#	513320	SUPPORT, BRAKE SHOE	1	
266@#	505997	BRAKE PAD	1	
267@#	508566	RIVET	6	
268@#	508386	WASHER 3/16"	6	
269	505994	BRAKE PAD ASSY. W/ STRAIGHT PINS	1.....	INCLUDES ITEMS W/#
270	513193	BRAKE PAD ASSY. W/ ANGLED PINS	1.....	INCLUDES ITEMS W/@

BATTERY ASSY.



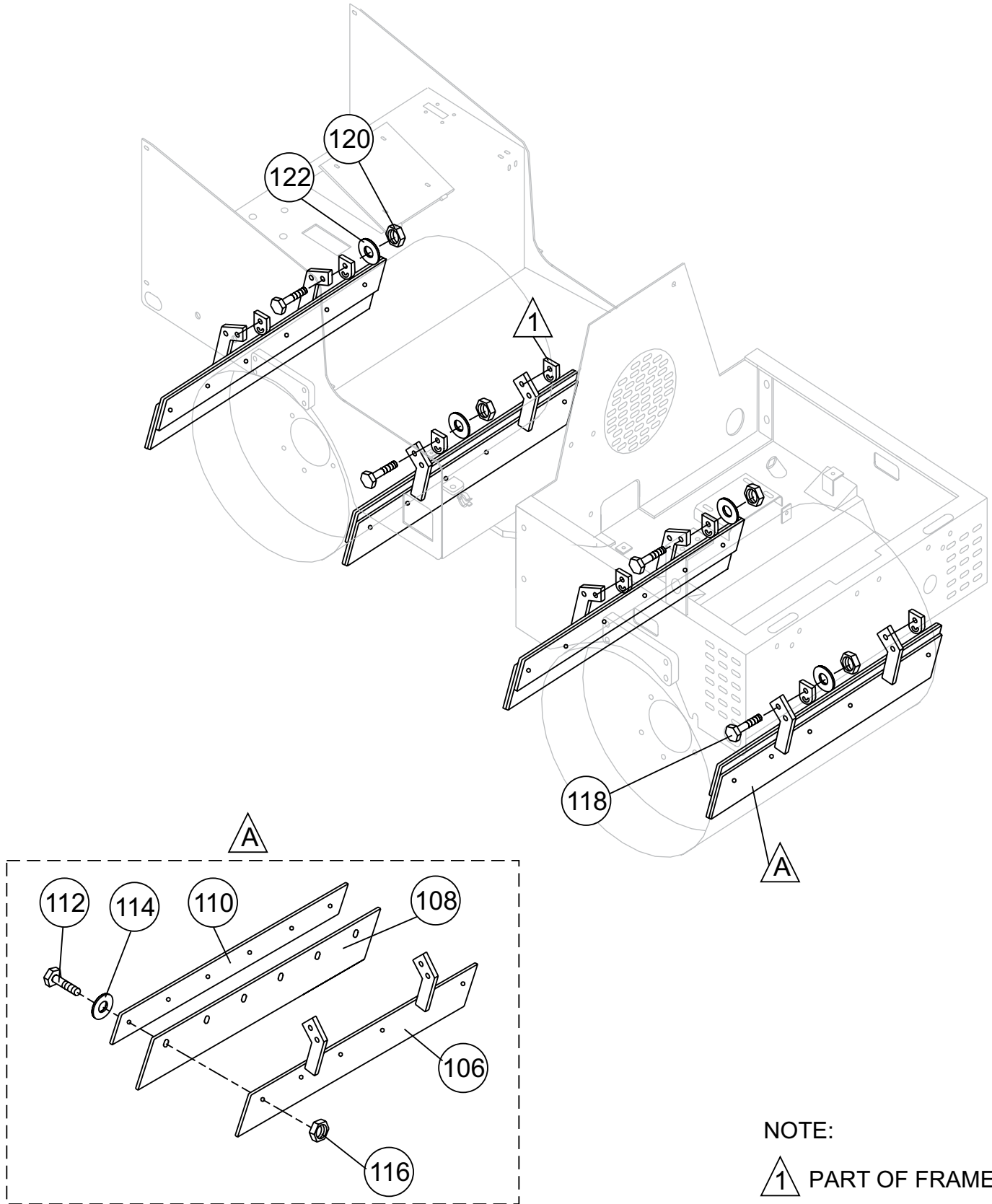
NOTES:

-  REMOVE ITEMS 20
ON COVERS AND FRAME
ARTICULATION LOCK ASSY.
FOR BATTERY ACCESS

BATTERY ASSY.

<u>NO.</u>	<u>PART NO.</u>	<u>PART NAME</u>	<u>QTY.</u>	<u>REMARKS</u>
144	514391	BATTERY 12V	1	
146	513446	CABLE (-) BATTERY	1	
148	513445	CABLE (+) BATTERY	1	
150	505624	BATTERY TERMINAL COVER	1.....	BLACK
152	506266	BATTERY TERMINAL COVER	1.....	RED
154	506152	WRAP	1	
156	506151	CLAMP, BATTERY	1	
158	492354	HEX HEAD SCREW 1/4"X1 1/2" NC G5	1	
160	3019092	WASHER, FLAT 3/8".....	1.....	REPLACES 492598

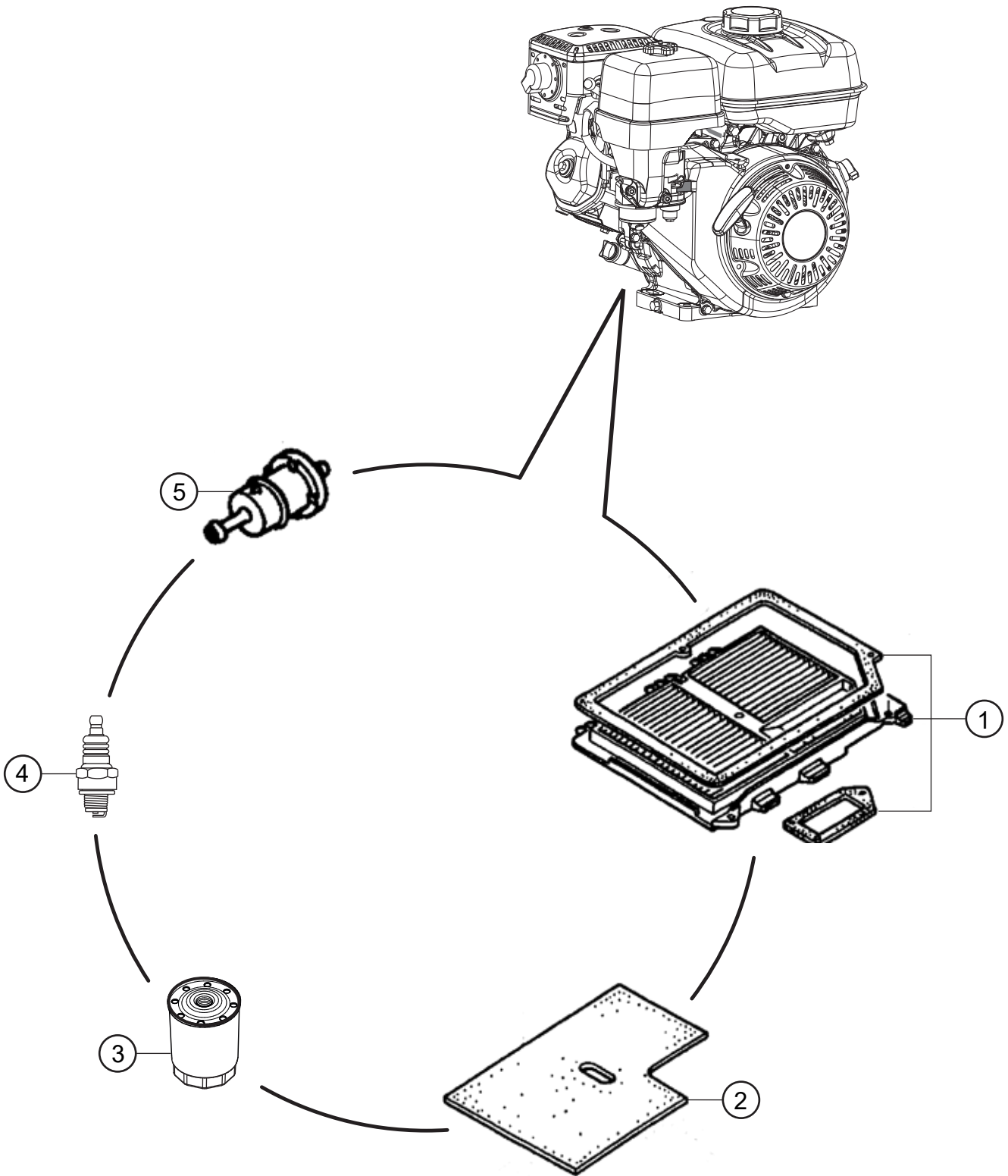
SCRAPPER ASSY.



SCRAPPER ASSY.

<u>NO.</u>	<u>PART NO.</u>	<u>PART NAME</u>	<u>QTY.</u>	<u>REMARKS</u>
106	513290	SCRAPER, SUPPORT	4	
108	508433	SCRAPER, RUBBER	4	
110	508434	PLATE BACKING	4	
112	EM963057	BOLT 3/8"	12.....	REPLACES 492313
114	3019092	WASHER, FLAT3/8"	12.....	REPLACES 492598
116	EM969013	NUT, LOCK 3/8"	12.....	REPLACES 492583
118	EM963692	BOLT, 1/2" UNC X 1-1/2"	8.....	REPLACES 492384
120	492584	NUT, LOCK 1/2" NC	8	
122	621	WASHER 1/2" SPECIAL	8	

ENGINE SERVICE PARTS



ENGINE SERVICE PARTS

<u>NO.</u>	<u>PART NO.</u>	<u>PART NAME</u>	<u>QTY.</u>	<u>REMARKS</u>
1	17010ZJ1000	ELEMENT SET, AIR	1	
2	17218ZJ1000	FILTER OUTER, AIR	1	
3	15410ZJ4999AH	FILTER, OIL	1	
4	9807956846	SPARK PLUG	1	
5	16910ZE8015	FUEL FILTER, ENGINE	1	